



WebSphere Development Studio
ILE RPG Language Reference

Version 5

SC09-2508-06





WebSphere Development Studio
ILE RPG Language Reference

Version 5

SC09-2508-06

Note!

Before using this information and the product it supports, be sure to read the general information under "Notices" on page 863.

Seventh Edition (February 2006)

This edition applies to Version 5, Release 4, Modification Level 0, of IBM® WebSphere® Development Studio for
iSeries (5722-WDS), ILE RPG compiler, and to all subsequent releases and modifications until otherwise indicated in
new editions. This edition applies only to reduced instruction set computer (RISC) systems.

This edition replaces SC09-2508-05.

Order publications through your IBM representative or the IBM branch office serving your locality. Publications are not stocked at the address given below.

IBM welcomes your comments. You can send your comments to:

IBM Canada Ltd. Laboratory
Information Development
8200 Warden Avenue
Markham, Ontario, Canada L6G 1C7

You can also send your comments by FAX, or you can send your comments electronically to IBM. See "How to Send Your Comments" for a description of the methods.

When you send information to IBM, you grant IBM a nonexclusive right to use or distribute the information in any way it believes appropriate without incurring any obligation to you.

© Copyright International Business Machines Corporation 1994, 2006. All rights reserved.

US Government Users Restricted Rights – Use, duplication or disclosure restricted by GSA ADP Schedule Contract with IBM Corp.

Contents

About This Reference	xi	Condition Expressions	17
Who Should Use This Reference	xi	Testing Conditions	17
Prerequisite and Related Information	xii	The /EOF Directive	19
How to Send Your Comments	xii	# Handling of Directives by the RPG Preprocessor	20
What's New	xii		
Changes to this Guide Since V5R2 and V5R3	xiii	Chapter 3. Program Cycle	21
I What's New this Release?	xiii	General RPG IV Program Cycle	21
# What's New in V5R3?	xvii	Detailed RPG IV Program Cycle	22
What's New in V5R2?	xxii	Detailed RPG IV Object Program Cycle	24
What's New in V5R1?	xxiv	Initialization Subroutine	28
What's New in V4R4?	xxix	Ending a Program without a Primary File	30
What's New in V4R2?	xxxiii	Program Control of File Processing	31
What's New in V3R7?	xxxvii		
What's New in V3R6/V3R2?	xli	Chapter 4. RPG IV Indicators	35
		Indicators Defined on RPG IV Specifications	35
		Overflow Indicators	35
		Record Identifying Indicators	36
		Control Level Indicators (L1-L9)	37
		Field Indicators	45
		Resulting Indicators	46
		Indicators Not Defined on the RPG IV Specifications	47
		External Indicators	47
		Internal Indicators	48
		Return Indicator (RT)	49
		Using Indicators	49
		File Conditioning	50
		Field Record Relation Indicators	50
		Function Key Indicators	52
		Halt Indicators (H1-H9)	53
		Indicators Conditioning Calculations	54
		Indicators Used in Expressions	57
		Indicators Conditioning Output	57
		Indicators Referred to As Data	60
		*IN	60
		*INxx	60
		Additional Rules	61
		Summary of Indicators	62
		Chapter 5. File and Program Exception/Errors	65
		File Exception/Errors	65
		File Information Data Structure	65
		File Exception/Error Subroutine (INFSR)	79
		Program Exception/Errors	82
		Program Status Data Structure	83
		Program Exception/Error Subroutine	91
		Chapter 6. Procedures and subprocedures	93
		Subprocedure Definition	94
		Procedure Interface Definition	95
		Return Values	96
		Scope of Definitions	96
		Subprocedure Calculations	97

NOMAIN Module	100
Mixing Main Procedures and Exported Subprocedures	100
Implicit Opening of Files and Locking of Data Areas	100
Implicit Closing of Files and Unlocking of Data Areas	101
Initialization of Global Data	101
Possible Problems	101
Recommendations	101
Subprocedures and Subroutines	101

Chapter 7. General File Considerations. 103

Primary/Secondary Multi-file Processing	103
Multi-file Processing with No Match Fields	103
Multi-file Processing with Match Fields.	103
File Translation	111
Specifying File Translation	112
Translating One File or All Files	112
Translating More Than One File	113

Part 2. Definitions 115

Chapter 8. Defining Data and Prototypes 117

General Considerations	117
Scope of Definitions	118
Storage of Definitions.	119
Standalone Fields	119
Variable Initialization.	120
Constants	120
Literals	121
Named Constants	125
Figurative Constants	126
Data Structures.	128
Qualifying Data Structure Names.	129
Array Data Structures	129
Defining Data Structure Parameters in a Prototype or Procedure Interface	130
Defining Data Structure Subfields	130
Special Data Structures	132
Data Structure Examples	134
Prototypes and Parameters	145
Prototypes	145
Prototyped Parameters	146
Procedure Interface	148

Chapter 9. Using Arrays and Tables 151

Arrays.	151
Array Name and Index	152
The Essential Array Specifications	152
Coding a Run-Time Array	152
Loading a Run-Time Array	152
Coding a Compile-Time Array.	154
Loading a Compile-Time Array	154
Coding a Prerun-Time Array	156
Example of Coding Arrays	156
Loading a Prerun-Time Array	157

Sequence Checking for Character Arrays	157
Initializing Arrays	158
Run-Time Arrays	158
Compile-Time and Prerun-Time Arrays.	158
Defining Related Arrays.	159
Searching Arrays	160
Searching an Array Without an Index	161
Searching an Array with an Index	161
Using Arrays	162
Specifying an Array in Calculations	162
Sorting Arrays	163
Sorting using part of the array as a key	164
Array Output	164
Editing Entire Arrays.	164
Using Dynamically-Sized Arrays	165
Tables	166
LOOKUP with One Table	166
LOOKUP with Two Tables	166
Specifying the Table Element Found in a LOOKUP Operation	167

Chapter 10. Data Types and Data Formats. 169

Internal and External Formats	169
Internal Format.	170
External Format	170
Character Data Type	172
Character Format	172
Indicator Format	172
Graphic Format	173
UCS-2 Format	174
Variable-Length Character, Graphic and UCS-2 Formats	175
Conversion between Character, Graphic and UCS-2 Data	183
Alternate Collating Sequence	184
Numeric Data Type	186
Binary Format	186
Float Format	187
Integer Format	189
Packed-Decimal Format	189
Unsigned Format	190
Zoned-Decimal Format	191
Considerations for Using Numeric Formats	192
Representation of Numeric Formats	193
Date Data Type.	195
Separators	197
Initialization.	197
Time Data Type	198
Separators	199
Initialization.	199
*JOB RUN.	199
Timestamp Data Type	199
Separators	199
Initialization.	200
Object Data Type	200
Where You Can Specify an Object Field	200
Basing Pointer Data Type	201
Setting a Basing Pointer	203
Examples.	204
Procedure Pointer Data Type	208

Database Null Value Support	209
User Controlled Support for Null-Capable Fields and Key Fields	210
Input-Only Support for Null-Capable Fields	216
ALWNULL(*NO)	217
Error Handling for Database Data Mapping Errors	217

Chapter 11. Editing Numeric Fields 219

Edit Codes	220
Simple Edit Codes.	220
Combination Edit Codes.	220
User-Defined Edit Codes	222
Editing Considerations	222
Summary of Edit Codes	222
Edit Words	225
How to Code an Edit Word	226
Parts of an Edit Word	226
Summary of Coding Rules for Edit Words.	230
Editing Externally Described Files	231

Part 3. Specifications 233

Chapter 12. About Specifications 235

RPG IV Specification Types.	235
Main Source Section Specifications	236
Subprocedure Specifications	237
Program Data	237
Common Entries	238
Syntax of Keywords	238
Continuation Rules	239

Chapter 13. Control Specifications 245

Using a Data Area as a Control Specification	245
Control-Specification Statement	245
Position 6 (Form Type)	246
Positions 7-80 (Keywords)	246
Control-Specification Keywords	246
ACTGRP(*NEW *CALLER 'activation-group-name').	247
ALTSEQ{(*NONE *SRC *EXT)}	247
ALWNULL(*NO *INPUTONLY *USRCTL)	247
AUT(*LIBRCRTAUT *ALL *CHANGE *USE *EXCLUDE 'authorization-list-name')	248
BNDDIR('binding-directory-name' {: 'binding-directory-name'...})	249
CCSID(*GRAPH : parameter *UCS2 : number *CHAR : *JOB RUN)	249
COPYNEST(number)	250
COPYRIGHT('copyright string')	250
CURSYM('sym')	251
CVTOPT{(*{NO}DATETIME *{NO}GRAPHIC *{NO}VARCHAR *{NO}VARGRAPHIC)	251
DATEDIT(fmt{separator})	252
DATFMT(fmt{separator})	252
DEBUG{(*INPUT *DUMP *XMLSAX *NO *YES)}	252
DECEDIT(*JOB RUN 'value')	253
DECPREC(30 31 63)	254
DFTACTGRP(*YES *NO)	254
DFTNAME(rpg_name)	255

ENBPFCOL(*PEP *ENTRYEXIT *FULL)	255
EXPROPTS(*MAXDIGITS *RESDECPOS)	255
EXTBININT{(*NO *YES)}.	256
FIXNBR(*{NO}ZONED *{NO}INPUTPACKED)	256
FLTDIV{(*NO *YES)}	257
FORMSALIGN{(*NO *YES)}.	257
FTRANS{(*NONE *SRC)}.	257
GENLVL(number)	257
INDENT(*NONE 'character-value')	258
INTPREC(10 20).	258
LANGID(*JOB RUN *JOB 'language-identifier')	258
NOMAIN	259
OPENOPT (*NOINZOFL *INZOFL)	259
OPTIMIZE(*NONE *BASIC *FULL)	259
OPTION(*{NO}XREF *{NO}GEN *{NO}SECLVL *{NO}SHOWCPY *{NO}EXPDDS *{NO}EXT *{NO}SHOWSKP) *{NO}SRCSTMT) *{NO}DEBUGIO)	259
PRFDTA(*NOCOL *COL)	261
SRTSEQ(*HEX *JOB *JOB RUN *LANGIDUNQ *LANGIDSHR 'sort-table-name')	261
TEXT(*SRMBRTXT *BLANK 'description')	261
THREAD(*SERIALIZE)	262
TIMFMT(fmt{separator}).	262
TRUNCNBR(*YES *NO)	263
USRPRF(*USER *OWNER)	263

Chapter 14. File Description Specifications 265

File Description Specification Statement	265
File-Description Keyword Continuation Line	265
Position 6 (Form Type)	266
Positions 7-16 (File Name)	266
Position 17 (File Type)	267
Position 18 (File Designation)	267
Position 19 (End of File)	268
Position 20 (File Addition)	269
Position 21 (Sequence)	270
Position 22 (File Format)	270
Positions 23-27 (Record Length)	271
Position 28 (Limits Processing)	271
Positions 29-33 (Length of Key or Record Address)	272
Position 34 (Record Address Type)	272
Position 35 (File Organization).	274
Positions 36-42 (Device)	275
Position 43 (Reserved)	276
Positions 44-80 (Keywords).	276
File-Description Keywords	276
BLOCK(*YES *NO)	277
COMMIT{(rpg_name)}	277
DATFMT(format{separator})	278
DEVID(fieldname).	278
EXTFILE(filename)	278
EXTIND(*INUX)	279
EXTMBR(membername).	279
FORMLEN(number)	280
FORMOFL(number)	280
IGNORE(recformat{:recformat...}).	280

INCLUDE(recformat{:recformat...})	280
INDDS(data_structure_name)	281
INFDS(DSname)	281
INFSR(SUBRname)	281
KEYLOC(number)	281
MAXDEV(*ONLY *FILE)	282
OFLIND(indicator)	282
PASS(*NOIND)	282
PGMNAME(program_name)	283
PLIST(Plist_name)	283
PREFIX(prefix{:nbr_of_char_replaced})	283
PRTCTL(data_struct{:*COMPAT})	285
RAFDATA(filename)	286
RECNO(fieldname)	286
RENAME(Ext_format:Int_format)	287
SAVEDS(DSname)	287
SAVEIND(number)	287
SFILE(recformat:rrnfield)	287
SLN(number)	288
TIMFMT(format{separator})	288
USROPN	288
File Types and Processing Methods	289

Chapter 15. Definition Specifications 291

Definition Specification Statement	291
Definition Specification Keyword Continuation	
Line	292
Definition Specification Continued Name Line	292
Position 6 (Form Type)	292
Positions 7-21 (Name)	292
Position 22 (External Description)	293
Position 23 (Type of Data Structure)	293
Positions 24-25 (Definition Type)	294
Positions 26-32 (From Position)	294
Positions 33-39 (To Position / Length)	295
Position 40 (Internal Data Type)	296
# Positions 41-42 (Decimal Positions)	297
Position 43 (Reserved)	297
Positions 44-80 (Keywords)	297
Definition-Specification Keywords	297
ALIGN	298
ALT(array_name)	298
ALTSEQ(*NONE)	298
ASCEND	299
BASED(basing_pointer_name)	299
CCSID(number *DFT)	300
CLASS(*JAVA:class-name)	300
CONST{(constant)}	300
CTDATA	301
DATFMT(format{separator})	301
DESCEND	301
DIM(numeric_constant)	302
I DTAARA({{*VAR:} data_area_name})	302
EXPORT{(external_name)}	304
EXTFLD(field_name)	304
EXTFMT(code)	305
EXTNAME(file-name{:format-name}{:*ALL	
*INPUT *OUTPUT *KEY}).	305
EXTPGM(name)	306
EXTPROC({*CL *CWIDEN *CNOWIDEN	
{*JAVA:class-name:}}name)	306

FROMFILE(file_name)	310
IMPORT{(external_name)}	311
INZ{(initial value)}	311
LIKE(name)	313
LIKEDS(data_structure_name)	314
LIKEREC(intrecname{:*ALL *INPUT *OUTPUT	
*KEY})	316
NOOPT	317
OCCURS(numeric_constant)	317
OPDESC	318
OPTIONS(*NOPASS *OMIT *VARSIZE *STRING	
*TRIM *RIGHTADJ *NULLIND)	318
OVERLAY(name{:pos *NEXT})	329
PACKEVEN	331
PERRCD(numeric_constant)	331
PREFIX(prefix{:nbr_of_char_replaced})	332
PROCPTR	333
QUALIFIED	333
STATIC	333
TIMFMT(format{separator})	333
TOFILE(file_name)	334
VALUE	334
VARYING	334

Summary According to Definition Specification Type 334

Chapter 16. Input Specifications . . . 339

Input Specification Statement	339
Program Described	339
Externally Described	339
Program Described Files	340
Position 6 (Form Type)	340
Record Identification Entries	340
Positions 7-16 (File Name)	340
Positions 16-18 (Logical Relationship)	340
Positions 17-18 (Sequence)	341
Position 19 (Number)	341
Position 20 (Option)	342
Positions 21-22 (Record Identifying Indicator, or	
**)	342
Positions 23-46 (Record Identification Codes)	343
Field Description Entries	345
Position 6 (Form Type)	346
Positions 7-30 (Reserved)	346
Positions 31-34 (Data Attributes)	346
Position 35 (Date/Time Separator)	346
Position 36 (Data Format)	346
Positions 37-46 (Field Location)	347
Positions 47-48 (Decimal Positions)	348
Positions 49-62 (Field Name)	348
Positions 63-64 (Control Level)	348
Positions 65-66 (Matching Fields)	349
Positions 67-68 (Field Record Relation)	349
Positions 69-74 (Field Indicators)	350
Externally Described Files	350
Position 6 (Form Type)	350
Record Identification Entries	351
Positions 7-16 (Record Name)	351
Positions 17-20 (Reserved)	351
Positions 21-22 (Record Identifying Indicator)	351
Positions 23-80 (Reserved)	351

Field Description Entries	351
Positions 7-20 (Reserved)	352
Positions 21-30 (External Field Name)	352
Positions 31-48 (Reserved)	352
Positions 49-62 (Field Name)	352
Positions 63-64 (Control Level)	352
Positions 65-66 (Matching Fields)	352
Positions 67-68 (Reserved)	353
Positions 69-74 (Field Indicators)	353
Positions 75-80 (Reserved)	353

Chapter 17. Calculation Specifications 355

Traditional Syntax	355
Calculation Specification Extended Factor-2	
Continuation Line	356
Position 6 (Form Type)	356
Positions 7-8 (Control Level)	356
Positions 9-11 (Indicators)	358
Positions 12-25 (Factor 1)	358
Positions 26-35 (Operation and Extender)	358
Positions 36-49 (Factor 2)	360
Positions 50-63 (Result Field)	360
Positions 64-68 (Field Length)	360
Positions 69-70 (Decimal Positions)	360
Positions 71-76 (Resulting Indicators)	361
Extended Factor 2 Syntax	361
Positions 7-8 (Control Level)	361
Positions 9-11 (Indicators)	361
Positions 12-25 (Factor 1)	362
Positions 26-35 (Operation and Extender)	362
Positions 36-80 (Extended Factor 2)	362
Free-Form Syntax	363
Positions 8-80 (Free-form Operations)	364

Chapter 18. Output Specifications . . . 365

Output Specification Statement	365
Program Described	365
Externally Described	365
Program Described Files	366
Position 6 (Form Type)	366
Record Identification and Control Entries	366
Positions 7-16 (File Name)	366
Positions 16-18 (Logical Relationship)	366
Position 17 (Type)	367
Positions 18-20 (Record Addition/Deletion)	367
Position 18 (Fetch Overflow/Release)	368
Positions 21-29 (Output Conditioning Indicators)	368
Positions 30-39 (EXCEPT Name)	369
Positions 40-51 (Space and Skip)	370
Positions 40-42 (Space Before)	371
Positions 43-45 (Space After)	371
Positions 46-48 (Skip Before)	371
Positions 49-51 (Skip After)	371
Field Description and Control Entries	371
Positions 21-29 (Output Indicators)	371
Positions 30-43 (Field Name)	372
Position 44 (Edit Codes)	373
Position 45 (Blank After)	373
Positions 47-51 (End Position)	374
Position 52 (Data Format)	375

Positions 53-80 (Constant, Edit Word, Data	
Attributes, Format Name)	376
Externally Described Files	377
Position 6 (Form Type)	377
Record Identification and Control Entries	377
Positions 7-16 (Record Name)	377
Positions 16-18 (Logical Relationship)	377
Position 17 (Type)	378
Position 18 (Release)	378
Positions 18-20 (Record Addition)	378
Positions 21-29 (Output Indicators)	378
Positions 30-39 (EXCEPT Name)	378
Field Description and Control Entries	378
Positions 21-29 (Output Indicators)	378
Positions 30-43 (Field Name)	378
Position 45 (Blank After)	379

Chapter 19. Procedure Specifications 381

Procedure Specification Statement	381
Procedure Specification Keyword Continuation	
Line	381
Procedure Specification Continued Name Line	382
Position 6 (Form Type)	382
Positions 7-21 (Name)	382
Position 24 (Begin/End Procedure)	382
Positions 44-80 (Keywords)	383
Procedure-Specification Keywords	383
EXPORT	383

Part 4. Operations, Expressions, and Functions 385

Chapter 20. Operations 387

Operation Codes	387
Built-in Functions	394
Arithmetic Operations	398
Ensuring Accuracy	399
Performance Considerations	399
Integer and Unsigned Arithmetic	399
Arithmetic Operations Examples	401
Array Operations	402
Bit Operations	403
Branching Operations	403
Call Operations	404
Prototyped Calls	405
Operational Descriptors	406
Parsing Program Names on a Call	406
Parsing System Built-In Names	408
Value of *ROUTINE	408
Compare Operations	408
Conversion Operations	410
Data-Area Operations	411
Date Operations	412
Unexpected Results	414
Declarative Operations	414
Error-Handling Operations	415
File Operations	416
Keys for File Operations	418
Indicator-Setting Operations	419
Information Operations	419

Initialization Operations	420	%EDITC (Edit Value Using an Editcode)	483
Memory Management Operations	420	%EDITFLT (Convert to Float External Representation).	486
Message Operation	422	%EDITW (Edit Value Using an Editword)	487
Move Operations	422	%ELEM (Get Number of Elements)	488
Moving Character, Graphic, UCS-2, and		%EOF (Return End or Beginning of File Condition)	489
Numeric Data	423	%EQUAL (Return Exact Match Condition)	491
Moving Date-Time Data	424	%ERROR (Return Error Condition)	493
Move Zone Operations	428	%FIELDS (Fields to update)	494
Result Operations	429	%FLOAT (Convert to Floating Format)	495
Size Operations	429	%FOUND (Return Found Condition)	496
String Operations	429	%GRAPH (Convert to Graphic Value)	498
Structured Programming Operations	431	%HANDLER (handlingProcedure : communicationArea).	500
Subroutine Operations	434	%HOURS (Number of Hours)	504
Coding Subroutines	434	%INT (Convert to Integer Format)	505
Test Operations	437	%INTH (Convert to Integer Format with Half Adjust)	505
XML Operations	437	%KDS (Search Arguments in Data Structure)	507
Chapter 21. Expressions	439	%LEN (Get or Set Length)	508
General Expression Rules	440	%LEN Used for its Value	508
Expression Operands	441	%LEN Used to Set the Length of Variable-Length Fields	509
Expression Operators	441	%LOOKUPxx (Look Up an Array Element)	511
Operation Precedence	443	# Sequenced arrays that are not in the correct	
Data Types	444	# sequence	512
Data Types Supported by Expression Operands	444	%MINUTES (Number of Minutes)	513
Format of Numeric Intermediate Results	448	%MONTHS (Number of Months).	514
Precision Rules for Numeric Operations	448	%MSECONDS (Number of Microseconds).	515
Using the Default Precision Rules	449	%NULLIND (Query or Set Null Indicator).	516
Precision of Intermediate Results	450	%OCCUR (Set/Get Occurrence of a Data Structure)	517
Example of Default Precision Rules	450	%OPEN (Return File Open Condition)	518
Using the "Result Decimal Position" Precision		%PADDR (Get Procedure Address)	519
Rules	452	%PADDR Used with a Prototype	519
Example of "Result Decimal Position" Precision		%PARMS (Return Number of Parameters).	521
Rules	453	%REALLOC (Reallocate Storage)	523
Short Circuit Evaluation	453	%REM (Return Integer Remainder)	524
Order of Evaluation	454	%REPLACE (Replace Character String)	525
Chapter 22. Built-in Functions	455	%SCAN (Scan for Characters)	527
%ABS (Absolute Value of Expression)	455	%SECONDS (Number of Seconds)	529
%ADDR (Get Address of Variable)	456	%SHTDN (Shut Down)	530
%ALLOC (Allocate Storage)	458	%SIZE (Get Size in Bytes)	531
%BITAND (Bitwise AND Operation)	459	%SQRT (Square Root of Expression)	533
%BITNOT (Invert Bits)	460	%STATUS (Return File or Program Status).	534
%BITOR (Bitwise OR Operation)	461	%STR (Get or Store Null-Terminated String)	537
%BITXOR (Bitwise Exclusive-OR Operation)	462	%STR Used to Get Null-Terminated String	537
Examples of Bit Operations	463	%STR Used to Store Null-Terminated String	538
%CHAR (Convert to Character Data)	466	# %SUBARR (Set/Get Portion of an Array)	539
%CHECK (Check Characters)	468	%SUBDT (Extract a Portion of a Date, Time, or	
%CHECKR (Check Reverse)	470	Timestamp)	542
%DATE (Convert to Date)	472	%SUBST (Get Substring).	543
%DAYS (Number of Days)	473	%SUBST Used for its Value.	543
%DEC (Convert to Packed Decimal Format)	474	%SUBST Used as the Result of an Assignment	543
Numeric or character expression	474	%THIS (Return Class Instance for Native Method)	545
Date, time or timestamp expression	474	%TIME (Convert to Time)	546
%DECH (Convert to Packed Decimal Format with		%TIMESTAMP (Convert to Timestamp)	547
Half Adjust)	476	%TLOOKUPxx (Look Up a Table Element)	548
%DECH Examples	476	%TRIM (Trim Characters at Edges)	550
%DECPOS (Get Number of Decimal Positions)	478	%TRIML (Trim Leading Characters)	552
%DIFF (Difference Between Two Date, Time, or		%TRIMR (Trim Trailing Characters)	553
Timestamp Values)	479	%UCS2 (Convert to UCS-2 Value)	554
%DIV (Return Integer Portion of Quotient)	482		

%UNS (Convert to Unsigned Format)	555
%UNSH (Convert to Unsigned Format with Half Adjust)	555
%XFOOT (Sum Array Expression Elements)	557
%XLATE (Translate)	558
%XML (xmlDocument {:options})	559
%YEARS (Number of Years)	561

Chapter 23. Operation Codes 563

ACQ (Acquire)	564
ADD (Add)	565
ADDUR (Add Duration)	566
ALLOC (Allocate Storage)	568
ANDxx (And)	569
BEGSR (Beginning of Subroutine)	570
BITOFF (Set Bits Off)	571
BITON (Set Bits On)	573
CABxx (Compare and Branch)	575
CALL (Call a Program)	577
CALLB (Call a Bound Procedure)	578
CALLP (Call a Prototyped Procedure or Program)	579
CASxx (Conditionally Invoke Subroutine)	584
CAT (Concatenate Two Strings)	586
CHAIN (Random Retrieval from a File)	589
CHECK (Check Characters)	592
CHECKR (Check Reverse)	595
CLEAR (Clear)	598
Clearing Variables	598
Clearing Record Formats	598
CLEAR Examples	599
CLOSE (Close Files)	602
COMMIT (Commit)	603
COMP (Compare)	604
DEALLOC (Free Storage)	605
DEFINE (Field Definition)	607
*LIKE DEFINE	607
*DTAARA DEFINE	609
DELETE (Delete Record)	611
DIV (Divide)	613
DO (Do)	614
DOU (Do Until)	616
DOUxx (Do Until)	617
DOW (Do While)	619
DOWxx (Do While)	620
DSPLY (Display Message)	622
DUMP (Program Dump)	625
ELSE (Else)	627
ELSEIF (Else If)	628
ENDyy (End a Structured Group)	629
ENDSR (End of Subroutine)	631
EVAL (Evaluate expression)	632
EVALR (Evaluate expression, right adjust)	634
EVAL-CORR (Assign corresponding subfields)	634
Examples of the EVAL-CORR operation	637
EXCEPT (Calculation Time Output)	640
EXFMT (Write/Then Read Format)	642
EXSR (Invoke Subroutine)	644
EXTRCT (Extract Date/Time/Timestamp)	645
FEOD (Force End of Data)	647
FOR (For)	648

FORCE (Force a Certain File to Be Read Next Cycle)	651
GOTO (Go To)	652
IF (If)	654
IFxx (If)	655
IN (Retrieve a Data Area)	657
ITER (Iterate)	659
KFLD (Define Parts of a Key)	661
KLIST (Define a Composite Key)	662
LEAVE (Leave a Do/For Group)	664
LEAVESR (Leave a Subroutine)	666
LOOKUP (Look Up a Table or Array Element)	667
MHHZO (Move High to High Zone)	670
MHLZO (Move High to Low Zone)	671
MLHZO (Move Low to High Zone)	672
MLLZO (Move Low to Low Zone)	673
MONITOR (Begin a Monitor Group)	674
MOVE (Move)	676
MOVEA (Move Array)	690
Character, graphic, and UCS-2 MOVEA Operations	690
Numeric MOVEA Operations	690
General MOVEA Operations	691
MOVEL (Move Left)	697
MULT (Multiply)	707
MVR (Move Remainder)	708
NEXT (Next)	709
OCCUR (Set/Get Occurrence of a Data Structure)	710
ON-ERROR (On Error)	714
OPEN (Open File for Processing)	715
ORxx (Or)	717
OTHER (Otherwise Select)	718
OUT (Write a Data Area)	720
PARM (Identify Parameters)	721
PLIST (Identify a Parameter List)	724
POST (Post)	726
READ (Read a Record)	728
READC (Read Next Changed Record)	731
READE (Read Equal Key)	733
READP (Read Prior Record)	736
READPE (Read Prior Equal)	738
REALLOC (Reallocate Storage with New Length)	741
REL (Release)	742
RESET (Reset)	743
Resetting Variables	743
Resetting Record Formats	744
Additional Considerations	744
RESET Examples	745
RETURN (Return to Caller)	750
ROLBK (Roll Back)	753
SCAN (Scan String)	754
SELECT (Begin a Select Group)	757
SETGT (Set Greater Than)	759
SETLL (Set Lower Limit)	763
SETOFF (Set Indicator Off)	767
SETON (Set Indicator On)	768
SHTDN (Shut Down)	769
SORTA (Sort an Array)	770
SQRT (Square Root)	772
SUB (Subtract)	773
SUBDUR (Subtract Duration)	774

Subtract a duration	774
Calculate a duration	775
Possible error situations	776
SUBDUR Examples	776
SUBST (Substring).	777
TAG (Tag)	780
TEST (Test Date/Time/Timestamp)	781
TESTB (Test Bit)	783
TESTN (Test Numeric)	786
TESTZ (Test Zone).	788
TIME (Retrieve Time and Date)	789
UNLOCK (Unlock a Data Area or Release a Record)	791
Unlocking data areas	791
Releasing record locks	792
UPDATE (Modify Existing Record)	793
WHEN (When True Then Select)	795
WHENxx (When True Then Select)	796
WRITE (Create New Records)	799
XFOOT (Summing the Elements of an Array).	801
XLATE (Translate).	802
XML-INTO (Parse an XML Document into a Variable)	804
%XML options for the XML-INTO operation code	808
Expected format of XML data	824
Rules for transferring XML data to RPG variables	829

Examples of the XML-INTO operation	830
XML-SAX (Parse an XML Document)	834
%XML options for the XML-SAX operation code	835
XML-SAX event-handling procedure	836
XML events	837
Examples of the XML-SAX operation	844
Z-ADD (Zero and Add)	850
Z-SUB (Zero and Subtract)	851

Part 5. Appendixes 853

Appendix A. RPG IV Restrictions . . . 855

Appendix B. EBCDIC Collating Sequence 857

Bibliography. 861

Notices 863

Programming Interface Information 864

Trademarks and Service Marks 864

Index 867

About This Reference

This reference provides information about the RPG IV language as it is implemented using the ILE RPG compiler with the IBM i5/OS[®] (i5/OS[®]) operating system, formerly Operating System/400[®] (OS/400[®]).

This reference covers:

- Basics of RPG IV:
 - RPG IV character set
 - RPG IV reserved words
 - Compiler directives
 - RPG IV program cycle
 - Indicators
 - Error Handling
 - Subprocedures
- Definitions:
 - Defining Data and Prototypes
 - Data types and Data formats
- RPG IV specifications:
 - Control
 - File description
 - Definition
 - Input
 - Calculation
 - Output
 - Procedure
- Ways to manipulate data or devices:
 - Built-in Functions
 - Expressions
 - Operation Codes

Who Should Use This Reference

This reference is for programmers who are familiar with the RPG IV programming language.

This reference provides a detailed description of the RPG IV language. It does not provide information on how to use the ILE RPG compiler or how to convert RPG III programs to ILE RPG. For information on those subjects, see the *WebSphere Development Studio: ILE RPG Programmer's Guide*, SC09-2507-06.

Before using this reference, you should

- Know how to use applicable i5/OS menus and displays or Control Language (CL) commands.
- Have a firm understanding of Integrated Language Environment[®] as described in detail in the *ILE Concepts*, SC41-5606-07.

Prerequisite and Related Information

Use the iSeries Information Center as your starting point for looking up iSeries and AS/400e technical information. You can access the Information Center in two ways:

- From the following Web site:
`http://www.ibm.com/eserver/iseries/infocenter`
- From CD-ROMs that ship with your Operating System/400 order:
iSeries Information Center, SK3T-4091-04. This package also includes the PDF versions of iSeries manuals, *iSeries Information Center: Supplemental Manuals*, SK3T-4092-01, which replaces the Softcopy Library CD-ROM.

The iSeries Information Center contains advisors and important topics such as CL commands, system application programming interfaces (APIs), logical partitions, clustering, Java™, TCP/IP, Web serving, and secured networks. It also includes links to related IBM® Redbooks and Internet links to other IBM Web sites such as the Technical Studio and the IBM home page.

For a list of related publications, see the “Bibliography” on page 861.

How to Send Your Comments

Your feedback is important in helping to provide the most accurate and high-quality information. IBM welcomes any comments about this book or any other iSeries documentation.

- If you prefer to send comments by mail, use the the following address:

IBM Canada Ltd. Laboratory
Information Development
8200 Warden Avenue
Markham, Ontario, Canada L6G 1C7

If you are mailing a readers' comment form from a country other than the United States, you can give the form to the local IBM branch office or IBM representative for postage-paid mailing.

- If you prefer to send comments by FAX, use this number: 1-845-491-7727
- If you prefer to send comments electronically, use one of these e-mail addresses:
 - Comments on books:
`toreador@ca.ibm.com`
 - Comments on the iSeries Information Center:
`RCHINFOC@us.ibm.com`

Be sure to include the following:

- The name of the book.
- The publication number of the book.
- The page number or topic to which your comment applies.

What's New

There have been several releases of RPG IV since the first V3R1 release. The following is a list of enhancements made for each release since V3R1 up to the current release:

- “What’s New this Release?” on page xiii
- “What’s New in V5R3?” on page xvii

- “What’s New in V5R2?” on page xxii
- “What’s New in V5R1?” on page xxiv
- “What’s New in V4R4?” on page xxix
- “What’s New in V4R2?” on page xxxiii
- “What’s New in V3R7?” on page xxxvii
- “What’s New in V3R6/V3R2?” on page xli

You can use this section to link to and learn about new RPG IV functions.

#

Note: The information for this product is up-to-date with the V5R4 release of RPG IV. If you are using a previous release of the compiler, you will need to determine what functions are supported on your system. For example, if you are using a V5R1 system, the functions new to the V5R4 release will not be supported.

Changes to this Guide Since V5R2 and V5R3

This V5R4 guide, *WebSphere Development Studio: ILE RPG Reference*, SC09-2508-06, differs in many places from the V5R3 guide, SC09-2508-05, and the V5R2 guide, SC09-2508-04. Most of the changes are related to the enhancements that have been made since previous releases; others reflect minor technical corrections. To assist you in using this manual, technical changes and enhancements are noted in the margins:

- Changes made in V5R4 are marked with a vertical bar (|).
- Changes made in V5R3 are marked with a pound sign (#).

Note: Many of the examples included in this guide have been modified to “free-form”, rather than “traditional” coding style. These changed examples have not been marked with a vertical bar. See *WebSphere Development Studio: ILE RPG Reference* for detailed explanation of the differences between the two coding styles.

| What’s New this Release?

| The following list describes the enhancements made to ILE RPG in V5R4:

| New operation code EVAL-CORR

```
| EVAL-CORR{(EH)} ds1 = ds2
```

| New operation code EVAL-CORR assigns data and null-indicators from the subfields of the source data structure to the subfields of the target data structure. The subfields that are assigned are the subfields that have the same name and compatible data type in both data structures.

| For example, if data structure DS1 has character subfields A, B, and C, and data structure DS2 has character subfields B, C, and D, statement EVAL-CORR DS1 = DS2; will assign data from subfields DS2.B and DS2.C to DS1.B and DS1.C. Null-capable subfields in the target data structure that are affected by the EVAL-CORR operation will also have their null-indicators assigned from the null-indicators of the source data structure’s subfields, or set to *OFF, if the source subfield is not null-capable.

```
| // DS1 subfields      DS2 subfields
| // s1 character      s1 packed
| // s2 character      s2 character
| // s3 numeric
```

Changes to this Guide Since V5R2

```
| // s4 date          s4 date  
| //                 s5 character  
| EVAL-CORR ds1 = ds2;  
| // This EVAL-CORR operation is equivalent to the following EVAL operations  
| //   EVAL ds1.s2 = ds2.s2  
| //   EVAL ds1.s4 = ds2.s4  
| // Other subfields either appear in only one data structure (S3 and S5)  
| // or have incompatible types (S1).
```

EVAL-CORR makes it easier to use result data structures for I/O operations to externally-described files and record formats, allowing the automatic transfer of data between the data structures of different record formats, when the record formats have differences in layout or minor differences in the types of the subfields.

New prototyped parameter option **OPTIONS(*NULLIND)**

When **OPTIONS(*NULLIND)** is specified for a parameter, the null-byte map is passed with the parameter, giving the called procedure direct access to the null-byte map of the caller's parameter.

New builtin function **%XML**

```
%XML (xmlDocument { : options } )
```

The **%XML** builtin function describes an XML document and specifies options to control how the document should be parsed. The **xmlDocument** parameter can be a character or UCS-2 expression, and the value may be an XML document or the name of an IFS file containing an XML document. If the value of the **xmlDocument** parameter has the name of a file, the "doc=file" option must be specified.

New builtin function **%HANDLER**

```
%HANDLER (handlingProcedure : communicationArea )
```

%HANDLER is used to identify a procedure to handle an event or a series of events. **%HANDLER** does not return a value, and it can only be specified as the first operand of XML-SAX and XML-INTO.

The first operand, *handlingProcedure*, specifies the prototype of the handling procedure. The return value and parameters specified by the prototype must match the parameters required for the handling procedure; the requirements are determined by the operation that **%HANDLER** is specified for.

The second operand, *communicationArea*, specifies a variable to be passed as a parameter on every call to the handling procedure. The operand must be an exact match for the first prototyped parameter of the handling procedure, according to the same rules that are used for checking prototyped parameters passed by reference. The communication-area parameter can be any type, including arrays and data structures.

New operation code **XML-SAX**

```
XML-SAX{ (e) } %HANDLER(eventHandler : commArea ) %XML(xmlDocument { : saxOptions } );
```

XML-SAX initiates a SAX parse for the XML document specified by the **%XML** builtin function. The XML-SAX operation begins by calling an XML parser which begins to parse the document. When the parser discovers an event such as finding the start of an element, finding an attribute name, finding the end of an element etc., the parser calls the *eventHandler* with parameters describing the event. The *commArea* operand is a variable that is passed as a parameter to

the *eventHandler* providing a way for the XML-SAX operation code to communicate with the handling procedure. When the *eventHandler* returns, the parser continues to parse until it finds the next event and calls the *eventHandler* again.

New operation code XML-INTO

```
XML-INTO{ (EH) } variable %XML(xmlDoc { : options });
XML-INTO{ (EH) } %HANDLER(handler : commArea ) %XML(xmlDoc { : options });
```

XML-INTO reads the data from an XML document in one of two ways:

- directly into a variable
- gradually into an array parameter that it passes to the procedure specified by %HANDLER.

Various options may be specified to control the operation.

The first operand specifies the target of the parsed data. It can contain a variable name or the % HANDLER built-in function.

The second operand contains the %XML builtin function specifying the source of the XML document and any options to control how the document is parsed. It can contain XML data or it can contain the location of the XML data. The doc option is used to indicate what this operand specifies.

```
// Data structure "copyInfo" has two subfields, "from"
// and "to". Each of these subfields has two subfields
// "name" and "lib".
// File cpyA.xml contains the following XML document
// <copyinfo>
//   <from><name>MASTFILE</name><lib>CUSTLIB</lib></from>
//   <to><name>MYFILE</name><lib>*LIBL</lib>
// </copyinfo>
xml-into copyInfo %XML('cpyA.xml' : 'doc=file');
// After the XML-INTO operation, the following
// copyInfo.from .name = 'MASTFILE' .lib = 'CUSTLIB'
// copyInfo.to .name = 'MYFILE' .lib = '*LIBL'
```

Use the PREFIX keyword to remove characters from the beginning of field names

```
PREFIX(' ' : number_of_characters)
```

When an empty character literal (two single quotes specified with no intervening characters) is specified as the first parameter of the PREFIX keyword for File and Definition specifications, the specified number of characters is removed from the field names. For example if a file has fields XRNAME, XRIDNUM, and XRAMOUNT, specifying PREFIX('':2) on the File specification will cause the internal field names to be NAME, IDNUM, and AMOUNT.

If you have two files whose subfields have the same names other than a file-specific prefix, you can use this feature to remove the prefix from the names of the subfields of externally-described data structures defined from those files. This would enable you to use EVAL-CORR to assign the same-named subfields from one data structure to the other. For example, if file FILE1 has a field F1NAME and file FILE2 has a field F2NAME, and PREFIX('':2) is specified for externally-described data structures DS1 for FILE1 and DS2 for FILE2, then the subfields F1NAME and F2NAME will both become NAME. An EVAL-CORR operation between data structures DS1 and DS2 will assign the NAME subfield.

Changes to this Guide Since V5R2

New values for the DEBUG keyword

```
DEBUG { ( *INPUT *DUMP *XMLSAX *NO *YES ) }
```

The DEBUG keyword determines what debugging aids are generated into the module. *NO and *YES are existing values. *INPUT, *DUMP and *XMLSAX provide more granularity than *YES.

*INPUT

Fields that appear only on input specifications are read into the program fields during input operations.

*DUMP

DUMP operations without the (A) extender are performed.

*XMLSAX

An array of SAX event names is generated into the module to be used while debugging a SAX event handler.

*NO

Indicates that no debugging aids are to be generated into the module. Specifying DEBUG(*NO) is the same as omitting the DEBUG keyword.

*YES

This value is kept for compatibility purposes. Specifying DEBUG(*YES) is the same as specifying DEBUG without parameters, or DEBUG(*INPUT : *DUMP).

Syntax-checking for free-form calculations

In SEU, free-form statements are now checked for correct syntax.

Improved debugging support for null-capable subfields of a qualified data structure

When debugging qualified data structures with null-capable subfields, the null-indicators are now organized as a similar data structure with an indicator subfield for every null-capable subfield. The name of the data structure is `_QRNU_NULL_data_structure_name`, for example `_QRNU_NULL_MYDS`. If a subfield of the data structure is itself a data structure with null-capable subfields, the null- indicator data structure will similarly have a data structure subfield with indicator subfields. For example, if data structure DS1 has null-capable subfields DS1.FLD1, DS1.FLD2, and DS1.SUB.FLD3, you can display all the null-indicators in the entire data structure using the debug instruction.

```
====> EVAL _QRNU_NULL_DS
> EVAL _QRNU_NULL_DS1
  _QRNU_NULL_DS1.FLD1 = '1'
  _QRNU_NULL_DS1.FLD2 = '0'
  _QRNU_NULL_DS1.SUB.FLD3 = '1'
====> EVAL _QRNU_NULL_DS.FLD2
  _QRNU_NULL_DS1.FLD2 = '0'
====> EVAL _QRNU_NULL_DS.FLD2 = '1'
====> EVAL DSARR(1).FLD2
  DSARR(1).FLD2 = 'abcde'

====> EVAL _QRNU_NULL_DSARR(1).FLD2
  _QRNU_NULL_DSARR(1).FLD2 = '0'
```

Change to end-of-file behaviour with shared files

If a module performs a keyed sequential input operation to a shared file and it results in an EOF condition, and a different module sets the file cursor using a positioning operation such as SETLL, a subsequent sequential input operation

by the first module may be successfully done. Before this change, the first RPG module ignored the fact that the other module had repositioned the shared file. This change in behaviour is available with PTFs for releases V5R2M0 (SI13932) and V5R3M0 (SI14185).

Table 1. Changed Language Elements Since V5R3

Language Unit	Element	Description
Control specification keywords	DEBUG(*INPUT *DUMP *XMLSAX *NO *YES)	New parameters *INPUT, *DUMP and *XMLSAX give more options for debugging aids.
File specification keywords	PREFIX('':2)	An empty literal may be specified as the first parameter of the PREFIX keyword, allowing characters to be removed from the beginning of names.
Definition specification keywords	OPTIONS(*NULLIND)	Indicates that the null indicator is passed with the parameter.
	PREFIX('':2)	An empty literal may be specified as the first parameter of the PREFIX keyword, allowing characters to be removed from the beginning of names.

Table 2. New Language Elements Since V5R3

Language Unit	Element	Description
Built-in functions	%HANDLER(prototype: parameter)	Specifies a handling procedure for an event.
	%XML(document[:options])	Specifies an XML document and options to control the way it is parsed.
Operation codes	EVAL-CORR	Assigns data and null-indicators from the subfields of the source data structure to the subfields of the target data structure.
	XML-INTO	Reads the data from an XML document directly into a program variable.
	XML-SAX	Initiates a SAX parse of an XML document.

What's New in V5R3?

The following list describes the enhancements made to ILE RPG in V5R3:

- **New built-in function %SUBARR:**
New built-in function %SUBARR allows assignment to a sub-array or returning a sub-array as a value.

Changes to this Guide Since V5R2

```
# Along with the existing %LOOKUP built-in function, this enhancements enables
# the implementation of dynamically sized arrays with a varying number of
# elements.
# %SUBARR(array : start) specifies array elements array(start) to the end of the
# array
# %SUBARR(array : start : num) specifies array elements array(start) to array(start
# + num - 1)
# Example:
# // Copy part of an array to another array:
# resultArr = %subarr(array1:start:num);
# // Copy part of an array to part of another array:
# %subarr(Array1:x:y) = %subarr(Array2:m:n);
# // Sort part of an array
# sorta %subarr(Array3:x:y);
#
# // Sum part of an array
# sum = %tfoot(%subarr(Array4:x:y));
```

- **The SORTA operation code is enhanced to allow sorting of partial arrays.**
When %SUBARR is specified in factor 2, the sort only affects the partial array indicated by the %SUBARR built-in function.
- **Direct conversion of date/time/timestamp to numeric, using %DEC:**
%DEC is enhanced to allow the first parameter to be a date, time or timestamp, and the optional second parameter to specify the format of the resulting numeric value.
Example:

```
# D numDdMmYy      s          6p 0
# D date          s          d   datfmt(*jul)
# date = D'2003-08-21';
# numDdMmYy = %dec(date : *dmy);
# // now numDdMmYy = 210803
```
- **Control specification CCSID(*CHAR : *JOB RUN) for correct conversion of character data at runtime:**
The Control specification CCSID keyword is enhanced to allow a first parameter of *CHAR. When the first parameter is *CHAR, the second parameter must be *JOB RUN. CCSID(*CHAR : *JOB RUN) controls the way character data is converted to UCS-2 at runtime. When CCSID(*CHAR:*JOB RUN) is specified, character data will be assumed to be in the job CCSID; when CCSID(*CHAR : *JOB RUN) is not specified, character data will be assumed to be in the mixed-byte CCSID related to the job CCSID.
- **Second parameter for %TRIM, %TRIMR and %TRIML indicating what characters to trim:**
%TRIM is enhanced to allow an optional second parameter giving the list of characters to be trimmed.
Example:

```
# trimchars = '*-.';
# data = '***a-b-c-.'
# result = %trim(data : trimchars);
# // now result = 'a-b-c'. All * - and . were trimmed from the ends of the data
```
- **New prototype option OPTIONS(*TRIM) to pass a trimmed parameter:**
When OPTIONS(*TRIM) is specified on a prototyped parameter, the data that is passed be trimmed of leading and trailing blanks. OPTIONS(*TRIM) is valid for character, UCS-2 and graphic parameters defined with CONST or VALUE. It is

also valid for pointer parameters defined with OPTIONS(*STRING). With
 # OPTIONS(*STRING : *TRIM), the passed data will be trimmed even if a pointer
 # is passed on the call.

Example:

```
#
# D proc pr
# D parm1 5a const options(*trim)
# D parm2 5a const options(*trim : *rightadj)
# D parm3 5a const varying options(*trim)
# D parm4 * value options(*string : *trim)
# D parm5 * value options(*string : *trim)
# D ptr s *
# D data s 10a
# D fld1 s 5a
#
# /free
# data = ' rst ' + x'00';
# ptr = %addr(data);
#
# proc (' xyz ' : ' @#$ ' : ' 123 ' : ' abc ' : ptr);
# // the called procedure receives the following parameters
# // parm1 = 'xyz '
# // parm2 = ' @#$'
# // parm3 = '123'
# // parm4 = a pointer to 'abc.' (where . is x'00')
# // parm5 = a pointer to 'rst.' (where . is x'00')
```

• **Support for 63 digit packed and zoned decimal values**

Packed and zoned data can be defined with up to 63 digits and 63 decimal positions. The previous limit was 31 digits.

• **Relaxation of the rules for using a result data structure for I/O to externally-described files and record formats**

- The result data structure for I/O to a record format may be an externally-described data structure.
- A data structure may be specified in the result field for I/O to an externally-described file name for operation codes CHAIN, READ, READE, READP and READPE.

Examples:

1. The following program writes to a record format using from an externally-described data structure.

```
#
# Foutfile o e k disk
# D outrecDs e ds extname(outfile) prefix(0_)
# /free
# O_FLD1 = 'ABCDE';
# O_FLD2 = 7;
# write outrec outrecDs;
# *inlr = *on;
# /end-free
```

2. The following program reads from a multi-format logical file into data structure INPUT which contains two overlapping subfields holding the fields of the respective record formats.

```
#
# Flog if e k disk infds(infds)
# D infds ds
# D recname 261 270
# D input ds qualified
# D rec1 likerec(rec1) overlay(input)
# D rec2 likerec(rec2) overlay(input)
# /free
# read log input;
# dow not %eof(log);
# dsply recname;
```

Changes to this Guide Since V5R2

```
#           if recname = 'REC1';
#           // handle rec1
#           elseif recname = 'REC2';
#           // handle rec2
#           endif;
#           read log input;
#           enddo;
#           *inlr = *on;
#           /end-free
```

- If a program/module performs a keyed sequential input operation to a shared file and it results in an EOF condition, a subsequent sequential input operation by the same program/module may be attempted. An input request is sent data base and if a record is available for input, the data is moved into the program/module and the EOF condition is set off.

- **Support for new environment variables for use with RPG programs calling Java methods**

- **QIBM_RPG_JAVA_PROPERTIES** allows RPG users to explicitly set the java properties used to start the JVM

This environment variable must be set before any RPG program calls a Java method in a job.

This environment variable has contains Java options, separated and terminated by some character that does not appear in any of the option strings. Semicolon is usually a good choice.

Examples:

1. **Specifying only one option:** If the system's default JDK is 1.3, and you want your RPG programs to use JDK 1.4, set environment variable QIBM_RPG_JAVA_PROPERTIES to

```
'-Djava.version=1.4;'
```

Note that even with just one option, a terminating character is required. This example uses the semicolon.

2. **Specifying more than one option:** If you also want to set the os400.stdout option to a different value than the default, you could set the environment variable to the following value:

```
'-Djava.version=1.4!-Dos400.stdout=file:mystdout.txt!'
```

This example uses the exclamation mark as the separator/terminator. Note: This support is also available in V5R1 and V5R2 with PTFs. V5R1: SI10069, V5R2: SI10101.

- **QIBM_RPG_JAVA_EXCP_TRACE** allows RPG users to get the exception trace when an RPG call to a Java method ends with an exception

This environment variable can be set, changed, or removed at any time.

If this environment variable contains the value 'Y', then when a Java exception occurs during a Java method call from RPG, or a called Java method throws an exception to its caller, the Java trace for the exception will be printed. By default, it will be printed to the screen, and may not be possible to read. To get it printed to a file, set the Java option os400.stderr. (This would have to be done in a new job; it could be done by setting the QIBM_RPG_JAVA_PROPERTIES environment variable to

```
'-Dos400.stderr=file:stderr.txt;'
```

- **An RPG preprocessor enabling the SQL preprocessor to handle conditional compilation and nested /COPY**

When the RPG compiler is called with a value other than *NONE for parameter PPGENOPT, it will behave as an RPG preprocessor. It will generate a new

source file rather than generating a program. The new source file will contain
 # the original source lines that are accepted by the conditional compilation
 # directives such as /DEFINE and /IF. It will also have the source lines from files
 # included by /COPY statements, and optionally it will have the source lines
 # included by /INCLUDE statements. The new source file will have the comments
 # from the original source file if PPGENOPT(*DFT) or
 # PPGENOPT(*NORMVCOMMENT) is specified. When the SQL precompiler is
 # called with a value other than *NONE for new parameter RPGPPOPT, the
 # precompiler will use this RPG preprocessor to handle /COPY, the conditional
 # compilation directives and possibly the /INCLUDE directive. This will allow
 # SQLRPGLE source to have nested /COPY statements, and conditionally used
 # statements.

Table 3. Changed Language Elements Since V5R2

Language Unit	Element	Description
Control specification keywords	CCSID(*GRAPH:parameter *UCS2:number *CHAR:*JOB RUN)	Can now take a first parameter of *CHAR, with a second parameter of *JOB RUN, to control how character data is treated at runtime.
Built-in Functions	%DEC(expression {format})	Can now take a parameter of type Date, Time or Timestamp
	%TRIM(expression:expression)	Can now take a second parameter indicating the set of characters to be trimmed
Definition Specification Keywords	OPTIONS(*TRIM)	Indicates that blanks are to be trimmed from passed parameters
Definition Specifications	Length and decimal place entries	The length and number of decimal places can be 63 for packed and zoned fields.
Input specifications	Length entry	The length can be 32 for packed fields and 63 for zoned fields.
	Decimal place entry	The number of decimal places can be 63 for packed and zoned fields.
Calculation specifications	Length and decimal place entries	The length and number of decimal places can be 63 for packed and zoned fields.
	CHAIN, READ, READE, READP, AND READPE operations	Allow a data structure to be specified in the result field when Factor 2 is the name of an externally-described file.
	CHAIN, READ, READC, READE, READP, READPE, WRITE, UPDATE operations	Allow an externally-described data structure to be specified in the result field when Factor 2 is the name of an externally-described record format.
	SORTA operation	Now has an extended Factor 2, allowing %SUBARR to be specified.

Table 4. New Language Elements Since V5R2

Language Unit	Element	Description
Built-in Functions	%SUBARR(array:starting element {:number of elements})	Returns a section of the array, or allows a section of the array to be modified.

#

What's New in V5R2?

The following list describes the enhancements made to ILE RPG in V5R2:

- Conversion from character to numeric
Built-in functions %DEC, %DECH, %INT, %INTH, %UNS, %UNSH and %FLOAT are enhanced to allow character parameters. For example, %DEC('-12345.67' : 7 : 2) returns the numeric value -12345.67.
- Bitwise logical built-in functions
%BITAND, %BITOR, %BITXOR and %BITNOT allow direct bit manipulation within RPG expressions.
- Complex data structures
Data structure definition is enhanced to allow arrays of data structures and subfields of data structures defined with LIKEDS that are themselves data structures. This allows the coding of complex structures such as arrays of arrays, or arrays of structures containing subarrays of structures.

```
Example:  family(f).child(i).hobbyInfo.pets(p).type = 'dog';  
         family(f).child(i).hobbyInfo.pets(p).name = 'Spot';
```

In addition, data structures can be defined the same as a record format, using the new LIKEREK keyword.

- Enhanced externally-described data structures
Externally-described data structures can hold the programmer's choice of input, output, both, key or all fields. Currently, externally-described data structures can only hold input fields.
 - Enhancements to keyed I/O
Programmers can specify search arguments in keyed Input/Output operations in /FREE calculations in two new ways:
 1. By specifying the search arguments (which can be expressions) in a list.
 2. By specifying a data structure which contains the search arguments.
- ```
Examples: D custkeyDS e ds extname(custfile:*key)
 /free
 CHAIN (keyA : keyB : key3) custrec;
 CHAIN %KDS(custkeyDS) custrec;
```
- Data-structure result for externally-described files  
A data structure can be specified in the result field when using I/O operations for externally-described files. This was available only for program-described files prior to V5R2. Using a data structure can improve performance if there are many fields in the file.
  - UPDATE operation to update only selected fields  
A list of fields to be updated can be specified with an UPDATE operation. This could only be done by using exception output prior to V5R2.  
Example: update record %fields(salary:status).
  - 31 digit support  
Supports packed and zoned numeric data with up to 31 digits and decimal places. This is the maximum length supported by DDS. Only 30 digits and decimal places were supported prior to V5R2.
  - Performance option for FEOD  
The FEOD operation is enhanced by supporting an extender N which indicates that the operation should simply write out the blocked buffers locally, without forcing a costly write to disk.
  - Enhanced data area access



The DTAARA keyword is enhanced to allow the name and library of the data area to be determined at runtime

- New assignment operators

The new assignment operators +=, -=, \*=, /=, \*\*= allow a variable to be modified based on its old value in a more concise manner.

Example: totals(current\_customer) += count;

This statement adds "count" to the value currently in "totals(current\_customer)" without having to code "totals(current\_customer)" twice.

- IFS source files

The ILE RPG compiler can compile both main source files and /COPY files from the IFS. The /COPY and /INCLUDE directives are enhanced to support IFS file names.

- Program Call Markup Language (PCML) generation

The ILE RPG compiler will generate an IFS file containing the PCML, representing the parameters to the program (CRTBNDRPG) or to the exported procedures (CRTRPGMOD).

*Table 5. Changed Language Elements Since V5R1*

| Language Unit                     | Element                                                    | Description                                                                                                                                                   |
|-----------------------------------|------------------------------------------------------------|---------------------------------------------------------------------------------------------------------------------------------------------------------------|
| Built-in functions                | %DEC(expression)                                           | Can now take parameters of type character.                                                                                                                    |
|                                   | %DECH(expression)                                          |                                                                                                                                                               |
|                                   | %FLOAT(expression)                                         |                                                                                                                                                               |
|                                   | %INT(expression)                                           |                                                                                                                                                               |
|                                   | %INTH(expression)                                          |                                                                                                                                                               |
|                                   | %UNS(expression)                                           |                                                                                                                                                               |
|                                   | %UNSH(expression)                                          |                                                                                                                                                               |
| Definition specification keywords | DTAARA({*VAR:}data-area-name)                              | The data area name can be a name, a character literal specifying 'LIBRARY/NAME' or a character variable which will determine the actual data area at runtime. |
|                                   | DIM                                                        | Allowed for data structure specifications.                                                                                                                    |
|                                   | LIKEDS                                                     | Allowed for subfield specifications.                                                                                                                          |
|                                   | EXTNAME(filename{:extrename} {:*ALL *INPUT *OUTPUT *KEY} ) | The optional "type" parameter controls which type of field is extracted for the externally-described data structure.                                          |
| Definition Specifications         | Length and decimal place entries                           | The length and number of decimal places can be 31 for packed and zoned fields.                                                                                |
| Operation codes                   | CHAIN, DELETEREADE, READPE, SETGT, SETLL                   | In free-form operations, Factor 1 can be a list of key values.                                                                                                |
|                                   | CHAIN, READ, READC, READE, READP, READPE, UPDATE, WRITE    | When used with externally-described files or record formats, a data structure may be specified in the result field.                                           |
|                                   | UPDATE                                                     | In free-form calculations, the final argument can contain a list of the fields to be updated.                                                                 |
|                                   | FEOD                                                       | Operation extender N is allowed. This indicates that the unwritten buffers must be made available to the database, but not necessarily be written to disk.    |
| Calculation specifications        | Length and decimal place entries                           | The length and number of decimal places can be 31 for packed and zoned fields.                                                                                |

## Changes to this Guide Since V5R2

Table 6. New Language Elements Since V5R1

| Language Unit                     | Element                                              | Description                                                                                                                                           |
|-----------------------------------|------------------------------------------------------|-------------------------------------------------------------------------------------------------------------------------------------------------------|
| Expressions                       | Assignment Operators += -= *= /=<br>**=              | When these assignment operators are used, the target of the operation is also the first operand of the operation.                                     |
| Control Specification Keywords    | DECPREC(30   31)                                     | Controls the precision of decimal intermediate values for presentation, for example, for %EDITC and %EDITW                                            |
| Definition specification keywords | LIKEREC(intreaname{:*ALL   *INPUT   *OUTPUT   *KEY}) | Defines a data structure whose subfields are the same as a record format.                                                                             |
| Built-in functions                | %BITAND(expression : expression)                     | Returns a result whose bits are on if the corresponding bits of the operands are both on.                                                             |
|                                   | %BITNOT(expression)                                  | Returns a result whose bits are the inverse of the bits in the argument.                                                                              |
|                                   | %BITOR(expression : expression)                      | Returns a result whose bits are on if either of the corresponding bits of the operands is on.                                                         |
|                                   | %BITXOR(expression : expression)                     | Returns a result whose bits are on if exactly one of the corresponding bits of the operands is on.                                                    |
|                                   | %FIELDS(name{:name...})                              | Used in free-form "UPDATE to specify the fields to be updated.                                                                                        |
|                                   | %KDS(data structure)                                 | Used in free-form keyed operation codes CHAIN, SETLL, SETGT, READE and READPE, to indicate that the keys for the operation are in the data structure. |

## What's New in V5R1?

The ILE RPG compiler is part of the IBM IBM WebSphere Development Studio for iSeries product, which now includes the C/C++ and COBOL compilers, and the Application Development ToolSet tools.

The major enhancements to RPG IV since V4R4 are easier interfacing with Java, new built-in functions, free form calculation specifications, control of which file is opened, qualified subfield names, and enhanced error handling.

The following list describes these enhancements:

- Improved support for calls between Java and ILE RPG using the Java Native Interface (JNI):
  - A new data type: Object
  - A new definition specification keyword: CLASS
  - The LIKE definition specification keyword has been extended to support objects.
  - The EXTPROC definition specification keyword has been extended to support Java procedures.
  - New status codes.
- New built-in functions:
  - Functions for converting a number into a duration that can be used in arithmetic expressions: %MSECONDS, %SECONDS, %MINUTES, %HOURS, %DAYS, %MONTHS, and %YEARS.

- The %DIFF function, for subtracting one date, time, or timestamp value from another.
- Functions for converting a character string (or date or timestamp) into a date, time, or timestamp: %DATE, %TIME, and %TIMESTAMP.
- The %SUBDT function, for extracting a subset of a date, time, or timestamp.
- Functions for allocating or reallocating storage: %ALLOC and %REALLOC.
- Functions for finding an element in an array: %LOOKUP, %LOOKUPGT, %LOOKUPGE, %LOOKUPLT, and %LOOKUPLE.
- Functions for finding an element in a table: %TLOOKUP, %TLOOKUPGT, %TLOOKUPGE, %TLOOKUPLT, and %TLOOKUPLE.
- Functions for verifying that a string contains only specified characters (or finding the first or last exception to this rule): %CHECK and %CHECKR
- The %XLATE function, for translating a string based on a list of from-characters and to-characters.
- The %OCCUR function, for getting or setting the current occurrence in a multiple-occurrence data structure.
- The %SHTDN function, for determining if the operator has requested shutdown.
- The %SQRT function, for calculating the square root of a number.
- A new free-form syntax for calculation specifications. A block of free-form calculation specifications is delimited by the compiler directives /FREE and /END-FREE
- You can specify the EXTFILE and EXTMBR keywords on the file specification to control which external file is used when a file is opened.
- Support for qualified names in data structures:
  - A new definition specification keyword: QUALIFIED. This keyword specifies that subfield names will be qualified with the data structure name.
  - A new definition specification keyword: LIKEDS. This keyword specifies that subfields are replicated from another data structure. The subfield names will be qualified with the new data structure name. LIKEDS is allowed for prototyped parameters; it allows the parameter's subfields to be used directly in the called procedure.
  - The INZ definition specification keyword has been extended to allow a data structure to be initialized based on its parent data structure.
- Enhanced error handling:
  - Three new operation codes (MONITOR, ON-ERROR, and ENDMON) allow you to define a group of operations with conditional error handling based on the status code.

Other enhancements have been made to this release as well. These include:

- You can specify parentheses on a procedure call that has no parameters.
- You can specify that a procedure uses ILE C or ILE CL calling conventions, on the EXTPROC definition specification keyword.
- The following /DEFINE names are predefined: \*VnRnMn, \*ILERPG, \*CRTBNDRPG, and \*CRTRPGMOD.
- The search string in a %SCAN operation can now be longer than string being searched. (The string will not be found, but this will no longer generate an error condition.)
- The parameter to the DIM, OCCURS, and PERRCD keywords no longer needs to be previously defined.

## Changes to this Guide Since V5R2

- The %PADDR built-in function can now take either a prototype name or an entry point name as its argument.
- A new operation code, ELSEIF, combines the ELSE and IF operation codes without requiring an additional ENDIF.
- The DUMP operation code now supports the A extender, which means that a dump is always produced - even if DEBUG(\*NO) was specified.
- A new directive, /INCLUDE, is equivalent to /COPY except that /INCLUDE is not expanded by the SQL preprocessor. Included files cannot contain embedded SQL or host variables.
- The OFLIND file-specification keyword can now take any indicator, including a named indicator, as an argument.
- The LICOPT (licensed internal code options) keyword is now available on the CRTRPGMOD and CRTBNDRPG commands.
- The PREFIX file description keyword can now take an uppercase character literal as an argument. The literal can end in a period, which allows the file to be used with qualified subfields.
- The PREFIX definition specification keyword can also take an uppercase character literal as an argument. This literal cannot end in a period.

The following tables summarize the changed and new language elements, based on the part of the language affected.

Table 7. Changed Language Elements Since V4R4

| Language Unit                     | Element                             | Description                                                                                                                                                                                               |
|-----------------------------------|-------------------------------------|-----------------------------------------------------------------------------------------------------------------------------------------------------------------------------------------------------------|
| Built-in functions                | %CHAR(expression{:format})          | The optional second parameter specifies the desired format for a date, time, or timestamp. The result uses the format and separators of the specified format, not the format and separators of the input. |
|                                   | %PADDR(prototype-name)              | This function can now take either a prototype name or an entry point name as its argument.                                                                                                                |
| Definition specification keywords | EXTPROC(*JAVA:class-name:proc-name) | Specifies that a Java method is called.                                                                                                                                                                   |
|                                   | EXTPROC(*CL:proc-name)              | Specifies a procedure that uses ILE CL conventions for return values.                                                                                                                                     |
|                                   | EXTPROC(*CWIDEN:proc-name)          | Specifies a procedure that uses ILE C conventions with parameter widening.                                                                                                                                |
|                                   | EXTPROC(*CNOWIDEN:proc-name)        | Specifies a procedure that uses ILE C conventions without parameter widening.                                                                                                                             |
|                                   | INZ(*LIKEDS)                        | Specifies that a data structure defined with the LIKEDS keyword inherits the initialization from its parent data structure.                                                                               |
|                                   | LIKE(object-name)                   | Specifies that an object has the same class as another object.                                                                                                                                            |
| File specification keywords       | PREFIX(character-literal{:number})  | Prefixes the subfields with the specified character literal, optionally replacing the specified number of characters.                                                                                     |
|                                   | OFLIND(name)                        | This keyword can now take any named indicator as a parameter.                                                                                                                                             |
|                                   | PREFIX(character-literal{:number})  | Prefixes the subfields with the specified character literal, optionally replacing the specified number of characters.                                                                                     |

Table 7. Changed Language Elements Since V4R4 (continued)

| Language Unit   | Element  | Description                                                                                                           |
|-----------------|----------|-----------------------------------------------------------------------------------------------------------------------|
| Operation codes | DUMP (A) | This operation code can now take the A extender, which causes a dump to be produced even if DEBUG(*NO) was specified. |

Table 8. New Language Elements Since V4R4

| Language Unit                     | Element                 | Description                                                                                                                                                                                                   |
|-----------------------------------|-------------------------|---------------------------------------------------------------------------------------------------------------------------------------------------------------------------------------------------------------|
| Data types                        | Object                  | Used for Java objects                                                                                                                                                                                         |
| Compiler directives               | /FREE ... /END-FREE     | The /FREE... /END-FREE compiler directives denote a free-form calculation specifications block.                                                                                                               |
|                                   | /INCLUDE                | Equivalent to /COPY, except that it is not expanded by the SQL preprocessor. Can be used to include nested files that are within the copied file. The copied file cannot have embedded SQL or host variables. |
| Definition specification keywords | CLASS(*JAVA:class-name) | Specifies the class for an object.                                                                                                                                                                            |
|                                   | LIKEDS(dsname)          | Specifies that a data structure, prototyped parameter, or return value inherits the subfields of another data structure.                                                                                      |
|                                   | QUALIFIED               | Specifies that the subfield names in a data structure are qualified with the data structure name.                                                                                                             |
| File specification keywords       | EXTFILE(filename)       | Specifies which file is opened. The value can be a literal or a variable. The default file name is the name specified in position 7 of the file specification. The default library is *LIBL.                  |
|                                   | EXTMBR(membername)      | Specifies which member is opened. The value can be a literal or a variable. The default is *FIRST.                                                                                                            |

## Changes to this Guide Since V5R2

Table 8. New Language Elements Since V4R4 (continued)

| Language Unit                          | Element                                                                                    | Description                                                                                                                |
|----------------------------------------|--------------------------------------------------------------------------------------------|----------------------------------------------------------------------------------------------------------------------------|
| Built-in functions                     | %ALLOC(num)                                                                                | Allocates the specified amount of storage.                                                                                 |
|                                        | %CHECK(comparator:base{:start})                                                            | Finds the first character in the base string that is not in the comparator.                                                |
|                                        | %CHECKR(comparator:base{:start})                                                           | Finds the last character in the base string that is not in the comparator.                                                 |
|                                        | %DATE(expression{:date-format})                                                            | Converts the expression to a date.                                                                                         |
|                                        | %DAYS(num)                                                                                 | Converts the number to a duration, in days.                                                                                |
|                                        | %DIFF(op1:op2:unit)                                                                        | Calculates the difference (duration) between two date, time, or timestamp values in the specified units.                   |
|                                        | %HOURS(num)                                                                                | Converts the number to a duration, in hours.                                                                               |
|                                        | %LOOKUPxx(arg:array{:startindex{:numelems}})                                               | Finds the specified argument, or the specified type of near-match, in the specified array.                                 |
|                                        | %MINUTES(num)                                                                              | Converts the number to a duration, in minutes.                                                                             |
|                                        | %MONTHS(num)                                                                               | Converts the number to a duration, in months.                                                                              |
|                                        | %MSECONDS(num)                                                                             | Converts the number to a duration, in microseconds.                                                                        |
|                                        | %OCCUR(dsn-name)                                                                           | Sets or gets the current position of a multiple-occurrence data structure.                                                 |
|                                        | %REALLOC(pointer:number)                                                                   | Reallocates the specified amount of storage for the specified pointer.                                                     |
|                                        | %SECONDS(num)                                                                              | Converts the number to a duration, in seconds.                                                                             |
|                                        | %SHTDN                                                                                     | Checks if the system operator has requested shutdown.                                                                      |
|                                        | %SQRT(numeric-expression)                                                                  | Calculates the square root of the specified number.                                                                        |
|                                        | %SUBDT(value:unit)                                                                         | Extracts the specified portion of a date, time, or timestamp value.                                                        |
|                                        | %THIS                                                                                      | Returns an Object value that contains a reference to the class instance on whose behalf the native method is being called. |
|                                        | %TIME(expression{:time-format})                                                            | Converts the expression to a time.                                                                                         |
|                                        | %TIMESTAMP(expression{:*ISO *ISO0})                                                        | Converts the expression to a timestamp.                                                                                    |
| %TLOOKUP(arg:search-table{:alt-table}) | Finds the specified argument, or the specified type of near-match, in the specified table. |                                                                                                                            |
| %XLATE(from:to:string{:startpos})      | Translates the specified string, based on the from-string and to-string.                   |                                                                                                                            |
|                                        | %YEARS(num)                                                                                | Converts the number to a duration, in years.                                                                               |

Table 8. New Language Elements Since V4R4 (continued)

| Language Unit                    | Element         | Description                                                            |
|----------------------------------|-----------------|------------------------------------------------------------------------|
| Operation codes                  | MONITOR         | Begins a group of operations with conditional error handling.          |
|                                  | ON-ERROR        | Performs conditional error handling, based on the status code.         |
|                                  | ENDMON          | Ends a group of operations with conditional error handling.            |
|                                  | ELSEIF          | Equivalent to an ELSE operation code followed by an IF operation code. |
| CRTBNDRPG and CRTRPGMOD keywords | LICOPT(options) | Specifies Licensed Internal Code options.                              |

---

## What's New in V4R4?

The major enhancements to RPG IV since V4R2 are the support for running ILE RPG modules safely in a threaded environment, the new 3-digit and 20-digit signed and unsigned integer data types, and support for a new Universal Character Set Version 2 (UCS-2) data type and for conversion between UCS-2 fields and graphic or single-byte character fields.

The following list describes these enhancements:

- Support for calling ILE RPG procedures from a threaded application, such as Domino™ or Java™.
  - The new control specification keyword THREAD(\*SERIALIZE) identifies modules that are enabled to run in a multithreaded environment. Access to procedures in the module is serialized.
- Support for new 1-byte and 8-byte integer data types: 3I and 20I signed integer, and 3U and 20U unsigned integer
  - These new integer data types provide you with a greater range of integer values and can also improve performance of integer computations, taking full advantage of the 64-bit AS/400 RISC processor.
  - The new 3U type allows you to more easily communicate with ILE C procedures that have single-byte character (char) return types and parameters passed by value.
  - The new INTPREC control specification keyword allows you to specify 20-digit precision for intermediate values of integer and unsigned binary arithmetic operations in expressions.
  - Built-in functions %DIV and %REM have been added to support integer division and remainder operations.
- Support for new Universal Character Set Version 2 (UCS-2) or Unicode data type
  - The UCS-2 (Unicode) character set can encode the characters for many written languages. The field is a character field whose characters are two bytes long.
  - By adding support for Unicode, a single application can now be developed for a multinational corporation, minimizing the necessity to perform code page conversion. The use of Unicode permits the processing of characters in multiple scripts without loss of integrity.
  - Support for conversions between UCS-2 fields and graphic or single-byte character fields using the MOVE and MOVEL operations, and the new %UCS2 and %GRAPH built-in functions.

## Changes to this Guide Since V5R2

- Support for conversions between UCS-2 fields or graphic fields with different Coded Character Set Identifiers (CCSIDs) using the EVAL, MOVE, and MOVEL operations, and the new %UCS2 built-in function.

Other enhancements have been made to this release as well. These include:

- New parameters for the OPTION control specification keyword and on the create commands:
  - \*SRCSTMT allows you to assign statement numbers for debugging from the source IDs and SEU sequence numbers in the compiler listing. (The statement number is used to identify errors in the compiler listing by the debugger, and to identify the statement where a run-time error occurs.) \*NOSRCSTMT specifies that statement numbers are associated with the Line Numbers of the listing and the numbers are assigned sequentially.
  - Now you can choose not to generate breakpoints for input and output specifications in the debug view with \*NODEBUGIO. If this option is selected, a STEP on a READ statement in the debugger will step to the next calculation, rather than stepping through the input specifications.
- New special words for the INZ definition specification keyword:
  - INZ(\*EXTDFT) allows you to use the default values in the DDS for initializing externally described data structure subfields.
  - Character variables initialized by INZ(\*USER) are initialized to the name of the current user profile.
- The new %XFOOT built-in function sums all elements of a specified array expression.
- The new EVALR operation code evaluates expressions and assigns the result to a fixed-length character or graphic result. The assignment right-adjusts the data within the result.
- The new FOR operation code performs an iterative loop and allows free-form expressions for the initial, increment, and limit values.
- The new LEAVESR operation code can be used to exit from any point within a subroutine.
- The new \*NEXT parameter on the OVERLAY(name:\*NEXT) keyword indicates that a subfield overlays another subfield at the next available position.
- The new \*START and \*END values for the SETLL operation code position to the beginning or end of the file.
- The ability to use hexadecimal literals with integer and unsigned integer fields in initialization and free-form operations, such as EVAL, IF, etc.
- New control specification keyword OPENOPT{(\*NOINZOFL | \*INZOFL)} to indicate whether the overflow indicators should be reset to \*OFF when a file is opened.
- Ability to tolerate pointers in teraspace — a memory model that allows more than 16 megabytes of contiguous storage in one allocation.

The following tables summarize the changed and new language elements, based on the part of the language affected.



Table 9. Changed Language Elements Since V4R2

| Language Unit                                                 | Element                                           | Description                                                                                                                                                                                                                                                           |
|---------------------------------------------------------------|---------------------------------------------------|-----------------------------------------------------------------------------------------------------------------------------------------------------------------------------------------------------------------------------------------------------------------------|
| Control specification keywords                                | OPTION(*{NO}SRCSTMT)                              | *SRCSTMT allows you to request that the compiler use SEU sequence numbers and source IDs when generating statement numbers for debugging. Otherwise, statement numbers are associated with the Line Numbers of the listing and the numbers are assigned sequentially. |
|                                                               | OPTION(*{NO}DEBUGIO)                              | *{NO}DEBUGIO, determines if breakpoints are generated for input and output specifications.                                                                                                                                                                            |
| Definition specification keywords                             | INZ(*EXTDFT)                                      | All externally described data structure subfields can now be initialized to the default values specified in the DDS.                                                                                                                                                  |
|                                                               | INZ(*USER)                                        | Any character field or subfield can be initialized to the name of the current user profile.                                                                                                                                                                           |
|                                                               | OVERLAY(name:*NEXT)                               | The special value *NEXT indicates that the subfield is to be positioned at the next available position within the overlaid field.                                                                                                                                     |
|                                                               | OPTIONS(*NOPASS *OMIT *VARSIZE *STRING *RIGHTADJ) | The new OPTIONS(*RIGHTADJ) specified on a value or constant parameter in a function prototype indicates that the character, graphic, or UCS-2 value passed as a parameter is to be right adjusted before being passed on the procedure call.                          |
| Definition specification positions 33-39 (To Position/Length) | 3 and 20 digits allowed for I and U data types    | Added to the list of allowed values for internal data types to support 1-byte and 8-byte integer and unsigned data.                                                                                                                                                   |
| Internal data type                                            | C (UCS-2 fixed or variable-length format)         | Added to the list of allowed internal data types on the definition specifications. The UCS-2 (Unicode) character set can encode the characters for many written languages. The field is a character field whose characters are two bytes long.                        |
| Data format                                                   | C (UCS-2 fixed or variable-length format)         | UCS-2 format added to the list of allowed data formats on the input and output specifications for program described files.                                                                                                                                            |
| Command parameter                                             | OPTION                                            | *NOSRCSTMT, *SRCSTMT, *NODEBUGIO, and *DEBUGIO have been added to the OPTION parameter on the CRTBNDRPG and CRTRPGMOD commands.                                                                                                                                       |

## Changes to this Guide Since V5R2

Table 10. New Language Elements Since V4R2

| Language Unit                     | Element                                             | Description                                                                                                                                                                                            |
|-----------------------------------|-----------------------------------------------------|--------------------------------------------------------------------------------------------------------------------------------------------------------------------------------------------------------|
| Control specification keywords    | CCSID(*GRAPH: *IGNORE   *SRC   number)              | Sets the default graphic CCSID for the module. This setting is used for literals, compile-time data and program-described input and output fields and definitions. The default is *IGNORE.             |
|                                   | CCSID(*UCS2: number)                                | Sets the default UCS-2 CCSID for the module. This setting is used for literals, compile-time data and program-described input and output fields and definitions. The default is 13488.                 |
|                                   | INTPREC(10   20)                                    | Specifies the decimal precision of integer and unsigned intermediate values in binary arithmetic operations in expressions. The default, INTPREC(10), indicates that 10-digit precision is to be used. |
|                                   | OPENOPT>(*NOINZOFL   *INZOFL)                       | Indicates whether the overflow indicators should be reset to *OFF when a file is opened.                                                                                                               |
|                                   | THREAD(*SERIALIZE)                                  | Indicates that the module is enabled to run in a multithreaded environment. Access to the procedures in the module is to be serialized.                                                                |
| Definition specification keywords | CCSID(number   *DFT)                                | Sets the graphic and UCS-2 CCSID for the definition.                                                                                                                                                   |
| Built-in functions                | %DIV(n:m)                                           | Performs integer division on the two operands n and m; the result is the integer portion of n/m. The operands must be numeric values with zero decimal positions.                                      |
|                                   | %GRAPH(char-expr   graph-expr   UCS2-expr {:ccsid}) | Converts to graphic data from single-byte character, graphic, or UCS-2 data.                                                                                                                           |
|                                   | %REM(n:m)                                           | Performs the integer remainder operation on two operands n and m; the result is the remainder of n/m. The operands must be numeric values with zero decimal positions.                                 |
|                                   | %UCS2(char-expr   graph-expr   UCS2-expr {:ccsid})  | Converts to UCS-2 data from single-byte character, graphic, or UCS-2 data.                                                                                                                             |
|                                   | %XFOOT(array-expr)                                  | Produces the sum of all the elements in the specified numeric array expression.                                                                                                                        |

Table 10. New Language Elements Since V4R2 (continued)

| Language Unit   | Element | Description                                                                                                                                                         |
|-----------------|---------|---------------------------------------------------------------------------------------------------------------------------------------------------------------------|
| Operation codes | EVALR   | Evaluates an assignment statement of the form result=expression. The result will be right-justified.                                                                |
|                 | FOR     | Begins a group of operations and indicates the number of times the group is to be processed. The initial, increment, and limit values can be free-form expressions. |
|                 | ENDFOR  | ENDFOR ends a group of operations started by a FOR operation.                                                                                                       |
|                 | LEAVESR | Used to exit from anywhere within a subroutine.                                                                                                                     |

---

## What's New in V4R2?

The major enhancements to RPG IV since V3R7 are the support for variable-length fields, several enhancements relating to indicators, and the ability to specify compile options on the control specifications. These further improve the RPG product for integration with the i5/OS operating system and ILE interlanguage communication.

The following list describes these enhancements:

- Support for variable-length fields  
This enhancement provides full support for variable-length character and graphic fields. Using variable-length fields can simplify many string handling tasks.
- Ability to use your own data structure for INDARA indicators  
Users can now access logical data areas and associate an indicator data structure with each WORKSTN and PRINTER file that uses INDARA, instead of using the \*IN array for communicating values to data management.
- Ability to use built-in functions instead of result indicators  
Built-in functions %EOF, %EQUAL, %FOUND, and %OPEN have been added to query the results of input/output operations. Built-in functions %ERROR and %STATUS, and the operation code extender 'E' have been added for error handling.
- Compile options on the control specification  
Compile options, specified through the CRTBNDRPG and CRTRPGMOD commands, can now be specified through the control specification keywords. These compile options will be used on every compile of the program.

In addition, the following new function has been added:

- Support for import and export of procedures and variables with mixed case names
- Ability to dynamically set the DECEDIT value at runtime
- Built-in functions %CHAR and %REPLACE have been added to make string manipulation easier
- New support for externally defined \*CMDY, \*CDMY, and \*LONGJUL date data formats
- An extended range for century date formats

## Changes to this Guide Since V5R2

- Ability to define indicator variables
- Ability to specify the current data structure name as the parameter for the OVERLAY keyword
- New status code 115 has been added to indicate variable-length field errors
- Support for application profiling
- Ability to handle packed-decimal data that is not valid when it is retrieved from files using FIXNBR(\*INPUTPACKED)
- Ability to specify the BNDDIR command parameter on the CRTRPGMOD command.

The following tables summarize the changed and new language elements, based on the part of the language affected.

Table 11. Changed Language Elements Since V3R7

| Language Unit                     | Element                     | Description                                                                                                                                                                                                                                                                                                                                                                                                                               |     |       |   |           |   |           |   |   |   |   |   |   |   |           |
|-----------------------------------|-----------------------------|-------------------------------------------------------------------------------------------------------------------------------------------------------------------------------------------------------------------------------------------------------------------------------------------------------------------------------------------------------------------------------------------------------------------------------------------|-----|-------|---|-----------|---|-----------|---|---|---|---|---|---|---|-----------|
| Control specification keywords    | DECEDIT(*JOB RUN   'value') | The decimal edit value can now be determined dynamically at runtime from the job or system value.                                                                                                                                                                                                                                                                                                                                         |     |       |   |           |   |           |   |   |   |   |   |   |   |           |
| Definition specification keywords | DTAARA {(data_area_name)}   | Users can now access logical data areas.                                                                                                                                                                                                                                                                                                                                                                                                  |     |       |   |           |   |           |   |   |   |   |   |   |   |           |
|                                   | EXPORT {(external_name)}    | The external name of the variable being exported can now be specified as a parameter for this keyword.                                                                                                                                                                                                                                                                                                                                    |     |       |   |           |   |           |   |   |   |   |   |   |   |           |
|                                   | IMPORT {(external_name)}    | The external name of the variable being imported can now be specified as a parameter for this keyword.                                                                                                                                                                                                                                                                                                                                    |     |       |   |           |   |           |   |   |   |   |   |   |   |           |
|                                   | OVERLAY(name{:pos})         | The name parameter can now be the name of the current data structure.                                                                                                                                                                                                                                                                                                                                                                     |     |       |   |           |   |           |   |   |   |   |   |   |   |           |
| Extended century format           | *CYMD (cyy/mm/dd)           | The valid values for the century character 'c' are now: <table border="1" style="margin-left: auto; margin-right: auto;"> <thead> <tr> <th>'c'</th> <th>Years</th> </tr> </thead> <tbody> <tr> <td>0</td> <td>1900-1999</td> </tr> <tr> <td>1</td> <td>2000-2099</td> </tr> <tr> <td>.</td> <td>.</td> </tr> <tr> <td>.</td> <td>.</td> </tr> <tr> <td>.</td> <td>.</td> </tr> <tr> <td>9</td> <td>2800-2899</td> </tr> </tbody> </table> | 'c' | Years | 0 | 1900-1999 | 1 | 2000-2099 | . | . | . | . | . | . | 9 | 2800-2899 |
| 'c'                               | Years                       |                                                                                                                                                                                                                                                                                                                                                                                                                                           |     |       |   |           |   |           |   |   |   |   |   |   |   |           |
| 0                                 | 1900-1999                   |                                                                                                                                                                                                                                                                                                                                                                                                                                           |     |       |   |           |   |           |   |   |   |   |   |   |   |           |
| 1                                 | 2000-2099                   |                                                                                                                                                                                                                                                                                                                                                                                                                                           |     |       |   |           |   |           |   |   |   |   |   |   |   |           |
| .                                 | .                           |                                                                                                                                                                                                                                                                                                                                                                                                                                           |     |       |   |           |   |           |   |   |   |   |   |   |   |           |
| .                                 | .                           |                                                                                                                                                                                                                                                                                                                                                                                                                                           |     |       |   |           |   |           |   |   |   |   |   |   |   |           |
| .                                 | .                           |                                                                                                                                                                                                                                                                                                                                                                                                                                           |     |       |   |           |   |           |   |   |   |   |   |   |   |           |
| 9                                 | 2800-2899                   |                                                                                                                                                                                                                                                                                                                                                                                                                                           |     |       |   |           |   |           |   |   |   |   |   |   |   |           |
| Internal data type                | N (Indicator format)        | Added to the list of allowed internal data types on the definition specifications. Defines character data in the indicator format.                                                                                                                                                                                                                                                                                                        |     |       |   |           |   |           |   |   |   |   |   |   |   |           |
| Data format                       | N (Indicator format)        | Indicator format added to the list of allowed data formats on the input and output specifications for program described files.                                                                                                                                                                                                                                                                                                            |     |       |   |           |   |           |   |   |   |   |   |   |   |           |
| Data Attribute                    | *VAR                        | Added to the list of allowed data attributes on the input and output specifications for program described files. It is used to specify variable-length fields.                                                                                                                                                                                                                                                                            |     |       |   |           |   |           |   |   |   |   |   |   |   |           |

Table 11. Changed Language Elements Since V3R7 (continued)

| Language Unit     | Element | Description                                                                                |
|-------------------|---------|--------------------------------------------------------------------------------------------|
| Command parameter | FIXNBR  | The *INPUTPACKED parameter has been added to handle packed-decimal data that is not valid. |

Table 12. New Language Elements Since V3R7

| Language Unit                  | New                                                                             | Description                                                                                                                                                                                                     |
|--------------------------------|---------------------------------------------------------------------------------|-----------------------------------------------------------------------------------------------------------------------------------------------------------------------------------------------------------------|
| Control specification keywords | ACTGRP(*NEW   *CALLER   'activation- group-name')                               | The ACTGRP keyword allows you to specify the activation group the program is associated with when it is called.                                                                                                 |
|                                | ALWNULL(*NO   *INPUTONLY   *USRCTL)                                             | The ALWNULL keyword specifies how you will use records containing null-capable fields from externally described database files.                                                                                 |
|                                | AUT(*LIBRCRTAUT   *ALL   *CHANGE   *USE   *EXCLUDE   'authorization-list-name') | The AUT keyword specifies the authority given to users who do not have specific authority to the object, who are not on the authorization list, and whose user group has no specific authority to the object.   |
|                                | BNDDIR( 'binding -directory-name' {:'binding-directory-name'...})               | The BNDDIR keyword specifies the list of binding directories that are used in symbol resolution.                                                                                                                |
|                                | CVTOPT(*{NO}DATETIME *{NO}GRAPHIC *{NO}VARCHAR *{NO}VARGRAPHIC)                 | The CVTOPT keyword is used to determine how the ILE RPG compiler handles date, time, timestamp, graphic data types, and variable-length data types that are retrieved from externally described database files. |
|                                | DFTACTGRP(*YES   *NO)                                                           | The DFTACTGRP keyword specifies the activation group in which the created program will run when it is called.                                                                                                   |
|                                | ENBPFCOL(*PEP   *ENTRYEXIT   *FULL)                                             | The ENBPFCOL keyword specifies whether performance collection is enabled.                                                                                                                                       |
|                                | FIXNBR(*{NO}ZONED *{NO}INPUTPACKED)                                             | The FIXNBR keyword specifies whether decimal data that is not valid is fixed by the compiler.                                                                                                                   |
|                                | GENLVL(number)                                                                  | The GENLVL keyword controls the creation of the object.                                                                                                                                                         |
|                                | INDENT(*NONE   'character-value')                                               | The INDENT keyword specifies whether structured operations should be indented in the source listing for enhanced readability.                                                                                   |
|                                | LANGID(*JOB RUN   *JOB   'language-identifier')                                 | The LANGID keyword indicates which language identifier is to be used when the sort sequence is *LANGIDUNQ or *LANGIDSHR.                                                                                        |

## Changes to this Guide Since V5R2

Table 12. New Language Elements Since V3R7 (continued)

| Language Unit                           | New                                                                                               | Description                                                                                                                                                                                        |
|-----------------------------------------|---------------------------------------------------------------------------------------------------|----------------------------------------------------------------------------------------------------------------------------------------------------------------------------------------------------|
|                                         | OPTIMIZE(*NONE   *BASIC   *FULL)                                                                  | The OPTIMIZE keyword specifies the level of optimization, if any, of the object.                                                                                                                   |
|                                         | OPTION(*{NO}XREF<br>*{NO}GEN *{NO}SECLVL<br>*{NO}SHOWCPY<br>*{NO}EXPDDS *{NO}EXT<br>*{NO}SHOWSKP) | The OPTION keyword specifies the options to use when the source member is compiled.                                                                                                                |
|                                         | PRFDTA(*NOCOL   *COL)                                                                             | The PRFDTA keyword specifies whether the collection of profiling data is enabled.                                                                                                                  |
|                                         | SRTSEQ(*HEX   *JOB   *JOBRUN   *LANGIDUNQ   *LANGIDSHR   'sort-table-name')                       | The SRTSEQ keyword specifies the sort sequence table that is to be used in the ILE RPG source program.                                                                                             |
|                                         | TEXT(*SRCMBRTXT   *BLANK   'description')                                                         | The TEXT keyword allows you to enter text that briefly describes the object and its function.                                                                                                      |
|                                         | TRUNCNBR(*YES   *NO)                                                                              | The TRUNCNBR keyword specifies if the truncated value is moved to the result field or if an error is generated when numeric overflow occurs while running the object.                              |
|                                         | USRPRF(*USER   *OWNER)                                                                            | The USRPRF keyword specifies the user profile that will run the created program object.                                                                                                            |
| File Description Specification keywords | INDDS(<br>data_structure_name)                                                                    | The INDDS keyword lets you associate a data structure name with the INDARA indicators for a workstation or printer file.                                                                           |
| Definition specification keywords       | VARYING                                                                                           | Defines variable-length fields when specified on character data or graphic data.                                                                                                                   |
| Built-in functions                      | %CHAR(graphic, date, time or timestamp expression)                                                | Returns the value in a character data type.                                                                                                                                                        |
|                                         | %EOF{file name}                                                                                   | Returns '1' if the most recent file input operation or write to a subfile (for a particular file, if specified) ended in an end-of-file or beginning-of-file condition; otherwise, it returns '0'. |
|                                         | %EQUAL{file name}                                                                                 | Returns '1' if the most recent SETLL (for a particular file, if specified) or LOOKUP operation found an exact match; otherwise, it returns '0'.                                                    |
|                                         | %ERROR                                                                                            | Returns '1' if the most recent operation code with extender 'E' specified resulted in an error; otherwise, it returns '0'.                                                                         |

Table 12. New Language Elements Since V3R7 (continued)

| Language Unit           | New                                                                                     | Description                                                                                                                                                                                                                                                                                         |
|-------------------------|-----------------------------------------------------------------------------------------|-----------------------------------------------------------------------------------------------------------------------------------------------------------------------------------------------------------------------------------------------------------------------------------------------------|
|                         | %FOUND{file name}                                                                       | Returns '1' if the most recent relevant operation (for a particular file, if specified) found a record (CHAIN, DELETE, SETGT, SETLL), an element (LOOKUP), or a match (CHECK, CHECKR and SCAN); otherwise, it returns '0'.                                                                          |
|                         | %OPEN(file name)                                                                        | Returns '1' if the specified file is open and '0' if the specified file is closed.                                                                                                                                                                                                                  |
|                         | %REPLACE(replacement string; source string {start position {source length to replace}}) | Returns the string produced by inserting a <b>replacement string</b> into a <b>source string</b> , starting at the <b>start position</b> and replacing the specified number of characters.                                                                                                          |
|                         | %STATUS{file name}                                                                      | If no program or file error occurred since the most recent operation code with extender 'E' specified, it returns 0. If an error occurred, it returns the most recent value set for any program or file status. If a file is specified, the value returned is the most recent status for that file. |
| Operation code Extender | E                                                                                       | Allows for error handling using the %ERROR and %STATUS built-in functions on the CALLP operation and all operations that allow error indicators.                                                                                                                                                    |
| New century formats     | *CMDY (cmm/dd/yy)                                                                       | To be used by the MOVE, MOVEL, and TEST operations.                                                                                                                                                                                                                                                 |
|                         | *CDMY (cdd/mm/yy)                                                                       | To be used by the MOVE, MOVEL, and TEST operations.                                                                                                                                                                                                                                                 |
| New 4-digit year format | *LONGJUL (yyyy/ddd)                                                                     | To be used by the MOVE, MOVEL, and TEST operations.                                                                                                                                                                                                                                                 |
| Command parameters      | PRFDTA                                                                                  | The PRFDTA parameter specifies whether the collection of profiling data is enabled.                                                                                                                                                                                                                 |
|                         | BNDDIR                                                                                  | The BNDDIR parameter was previously only allowed on the CRTBNDRPG command and not on the CRTRPGMOD command, now it is allowed on both commands.                                                                                                                                                     |

---

## What's New in V3R7?

The major enhancements to RPG IV since V3R6 are the new support for database null fields, and the ability to better control the precision of intermediate results in expressions. Other enhancements include the addition of a floating point data type and support for null-terminated strings. These further improve the RPG product for integration with the i5/OS operating system and ILE interlanguage communication. This means greater flexibility for developing applications.

## Changes to this Guide Since V5R2

The following is a list of these enhancements including a number of new built-in functions and usability enhancements:

- Support for database null fields  
This enhancement allows users to process database files which contain null-capable fields, by allowing these fields to be tested for null and set to null.
- Expression intermediate result precision  
A new control specification keyword and new operation code extenders on free-form expression specifications allow the user better control over the precision of intermediate results.
- New floating point data type  
The new floating point data type has a much larger range of values than other data types. The addition of this data type will improve integration with the i5/OS database and improve interlanguage communication in an ILE environment, specifically with the C and C++ languages.
- Support for null terminated strings  
The new support for null terminated strings improves interlanguage communication. It allows users full control over null terminated data by allowing users to define and process null terminated strings, and to conveniently pass character data as parameters to procedures which expect null terminated strings.
- Pointer addition and subtraction  
Free-form expressions have been enhanced to allow adding an offset to a pointer, subtracting an offset from a pointer, and determining the difference between two pointers.
- Support for long names  
Names longer than 10 characters have been added to the RPG language. Anything defined on the definition or procedure specifications can have a long name and these names can be used anywhere where they fit within the bounds of an entry. In addition, names referenced on any free-form specification may be continued over multiple lines.
- New built-in functions  
A number of new built-in functions have been added to the language which improve the following language facilities:
  - editing (%EDITW, %EDITC, %EDITFLT)
  - scanning strings (%SCAN)
  - type conversions (%INT, %FLOAT, %DEC, %UNS)
  - type conversions with half-adjust (%INTH, %DECH, %UNSH)
  - precision of intermediate results for decimal expressions (%DEC)
  - length and decimals of variables and expressions (%LEN, %DECPOS)
  - absolute value (%ABS)
  - set and test null-capable fields (%NULLIND)
  - handle null terminated strings (%STR)
- Conditional compilation  
RPG IV has been extended to support conditional compilation. This support will include the following:
  - defining conditions (/DEFINE, /UNDEFINE),
  - testing conditions (/IF, /ELSEIF, /ELSE, /ENDIF)
  - stop reading current source file (/EOF)



## Changes to this Guide Since V5R2

- a new command option (DEFINE) to define up to 32 conditions on the CRTBNDRPG and CRTRPGMOD commands.
- Date enhancements
 

Several enhancements have been made to improve date handling operations. The TIME operation code is extended to support Date, Time or Timestamp fields in the result field. Moving dates or times from and to character fields no longer requires separator characters. Moving UDATE and \*DATE fields no longer requires a format code to be specified. Date fields can be initialized to the system (\*SYS) or job (\*JOB) date on the definition specifications.
- Character comparisons with alternate collating sequence
 

Specific character variables can be defined so that the alternate collating sequence is not used in comparisons.
- Nested /COPY members
 

You can now nest /COPY directives. That is, a /COPY member may contain one (or more) /COPY directives which can contain further /COPY directives and so on.
- Storage management
 

You can now use the new storage management operation codes to allocate, reallocate and deallocate storage dynamically.
- Status codes for storage management and float underflow errors.
 

Two status codes 425 and 426 have been added to indicate storage management errors. Status code 104 was added to indicate that an intermediate float result is too small.

The following tables summarize the changed and new language elements, based on the part of the language affected.

*Table 13. Changed Language Elements Since V3R6*

| Language Unit                     | Element                                 | Description                                                                                                                                                          |
|-----------------------------------|-----------------------------------------|----------------------------------------------------------------------------------------------------------------------------------------------------------------------|
| Definition specification keywords | ALIGN                                   | ALIGN can now be used to align float subfields along with the previously supported integer and unsigned alignment.                                                   |
|                                   | OPTIONS(*NOPASS *OMIT *VARSIZE *STRING) | The *STRING option allows you to pass a character value as a null-terminated string.                                                                                 |
| Record address type               | F (Float format)                        | Added to the list of allowed record address types on the file description specifications. Signals float processing for a program described file.                     |
| Internal data type                | F (Float format)                        | Added to the list of allowed internal data types on the definition specifications. Defines a floating point standalone field, parameter, or data structure subfield. |
| Data format                       | F (Float format)                        | Added to the list of allowed data formats on the input and output specifications for program described files.                                                        |

## Changes to this Guide Since V5R2

Table 14. New Language Elements Since V3R6

| Language Unit                     | New                               | Description                                                                                                                                                                                                 |
|-----------------------------------|-----------------------------------|-------------------------------------------------------------------------------------------------------------------------------------------------------------------------------------------------------------|
| Control specification keywords    | COPYNEST('1-2048')                | Specifies the maximum depth for nesting of /COPY directives.                                                                                                                                                |
|                                   | EXPROPTS(*MAXDIGITS   *RESDECPOS) | Expression options for type of precision (default or "Result Decimal Position" precision rules)                                                                                                             |
|                                   | FLTDIV{(*NO   *YES)}              | Indicates that all divide operations in expressions are computed in floating point.                                                                                                                         |
| Definition specification keywords | ALTSEQ(*NONE)                     | Forces the normal collating sequence to be used for character comparison even when an alternate collating sequence is specified.                                                                            |
| Built-in functions                | %ABS                              | Returns the absolute value of the numeric expression specified as the parameter.                                                                                                                            |
|                                   | %DEC & %DECH                      | Converts the value of the numeric expression to decimal (packed) format with the number of digits and decimal positions specified as parameters. %DECH is the same as %DEC, but with a half adjust applied. |
|                                   | %DECPOS                           | Returns the number of decimal positions of the numeric variable or expression. The value returned is a constant, and may be used where a constant is expected.                                              |
|                                   | %EDITC                            | This function returns a character result representing the numeric value edited according to the edit code.                                                                                                  |
|                                   | %EDITFLT                          | Converts the value of the numeric expression to the character external display representation of float.                                                                                                     |
|                                   | %EDITW                            | This function returns a character result representing the numeric value edited according to the edit word.                                                                                                  |
|                                   | %FLOAT                            | Converts the value of the numeric expression to float format.                                                                                                                                               |
|                                   | %INT & %INTH                      | Converts the value of the numeric expression to integer. Any decimal digits are truncated with %INT and rounded with %INTH.                                                                                 |
|                                   | %LEN                              | Returns the number of digits or characters of the variable expression.                                                                                                                                      |
|                                   | %NULLIND                          | Used to query or set the null indicator for null-capable fields.                                                                                                                                            |
|                                   | %SCAN                             | Returns the first position of the search argument in the source string, or 0 if it was not found.                                                                                                           |

Table 14. New Language Elements Since V3R6 (continued)

| Language Unit            | New          | Description                                                                                                                         |
|--------------------------|--------------|-------------------------------------------------------------------------------------------------------------------------------------|
|                          | %STR         | Used to create or use null-terminated strings, which are very commonly used in C and C++ applications.                              |
|                          | %UNS & %UNSH | Converts the value of the numeric expression to unsigned format. Any decimal digits are truncated with %UNS and rounded with %UNSH. |
| Operation code Extenders | N            | Sets pointer to *NULL after successful DEALLOC                                                                                      |
|                          | M            | Default precision rules                                                                                                             |
|                          | R            | No intermediate value will have fewer decimal positions than the result ("Result Decimal Position" precision rules)                 |
| Operation codes          | ALLOC        | Used to allocate storage dynamically.                                                                                               |
|                          | DEALLOC      | Used to deallocate storage dynamically.                                                                                             |
|                          | REALLOC      | Used to reallocate storage dynamically.                                                                                             |

## What's New in V3R6/V3R2?

The major enhancement to RPG IV since V3R1 is the ability to code a module with more than one procedure. What does this mean? In a nutshell, it means that you can code an module with one or more prototyped procedures, where the procedures can have return values and run without the use of the RPG cycle.

Writing a module with multiple procedures enhances the kind of applications you can create. Any application consists of a series of logical units that are conceived to accomplish a particular task. In order to develop applications with the greatest flexibility, it is important that each logical unit be as independent as possible. Independent units are:

- Easier to write from the point of view of doing a specific task.
- Less likely to change any data objects other than the ones it is designed to change.
- Easier to debug because the logic and data items are more localized.
- Maintained more readily since it is easier to isolate the part of the application that needs changing.

The main benefit of coding a module with multiple procedures is greater control and better efficiency in coding a modular application. This benefit is realized in several ways. You can now:

- Call procedures and programs by using the same call operation and syntax.
- Define a prototype to provide a check at compile time of the call interface.
- Pass parameters by value or by reference.
- Define a procedure that will return a value and call the procedure within an expression.
- Limit access to data items by defining local definitions of variables.
- Code a module that does not make use of the cycle.
- Call a procedure recursively.

## Changes to this Guide Since V5R2

The run-time behavior of the main procedure in a module is the same as that of a V3R1 procedure. The run-time behavior of any subsequent procedures differs somewhat from a V3R1 program, most notably in the areas of procedure end and exception handling. These differences arise because there is no cycle code that is generated for these procedures.

Other enhancements have been made to for this release as well. These include:

- Support for two new integer data types: signed integer (I), and unsigned integer (U)

The use of the integer data types provides you with a greater range of values than the binary data type. Integer data types can also improve performance of integer computations.

- \*CYMD support for the MOVE, MOVEL, and TEST operations

You can now use the \*CYMD date format in certain operations to work with system values that are already in this data format.

- Ability to copyright your programs and modules by using the COPYRIGHT keyword on the control specification

The copyright information that is specified using this keyword becomes part of the DSPMOD, DSPPGM, or DSPSRVPGM information.

- User control of record blocking using keyword BLOCK

You can request record blocking of DISK or SEQ files to be done even when SETLL, SETGT, or CHAIN operations are used on the file. You can also request that blocking not be done. Use of blocking in these cases may significantly improve runtime performance.

- Improved PREFIX capability

Changes to the PREFIX keyword for either file-description and definition specifications allow you to replace characters in the existing field name with the prefix string.

- Status codes for trigger program errors

Two status codes 1223 and 1224 have been added to indicate trigger program errors.

The following tables summarize the changed and new language elements, based on the part of the language affected.

*Table 15. Changed Language Elements Since V3R1*

| Language Unit                           | Element                                        | Description                                                                                                                        |
|-----------------------------------------|------------------------------------------------|------------------------------------------------------------------------------------------------------------------------------------|
| File description specification keywords | PREFIX(prefix_string {;nbr_of_char_ replaced}) | Allows prefixing of string to a field name or a partial rename of the field name                                                   |
| Definition specification keywords       | CONST{(constant)}                              | Specifies the value of a named constant, or indicates that a prototyped parameter that is passed by reference has a constant value |
|                                         | PREFIX(prefix_string {;nbr_of_char_ replaced}) | Allows prefixing of string to a field name or a partial rename of the field name                                                   |
| Operation codes                         | RETURN                                         | Returns control to the caller, and returns a value, if specified                                                                   |

Table 16. New Language Elements Since V3R1

| Language Unit                           | New                             | Description                                                                                                        |
|-----------------------------------------|---------------------------------|--------------------------------------------------------------------------------------------------------------------|
| Control specification keywords          | COPYRIGHT('copyright string')   | Allows you to associate copyright information with modules and programs                                            |
|                                         | EXTBININT>(*NO   *YES)          | Specifies that binary fields in externally-described files be assigned an integer format during program processing |
|                                         | NOMAIN                          | Indicates that the module has only subprocedures                                                                   |
| File description specification keywords | BLOCK(*YES   *NO)               | Allows you to control whether record blocking occurs (assuming other conditions are met)                           |
| Definition specification keywords       | ALIGN                           | Specifies whether integer or unsigned fields should be aligned                                                     |
|                                         | EXTPGM(name)                    | Indicates the external name of the prototyped program                                                              |
|                                         | EXTPROC(name)                   | Indicates the external name of the prototyped procedure                                                            |
|                                         | OPDESC                          | Indicates whether operational descriptors are to be passed for the prototyped bound call                           |
|                                         | OPTIONS(*NOPASS *OMIT *VARSIZE) | Specifies various options for prototyped parameters                                                                |
|                                         | STATIC                          | Specifies that the local variable is to use static storage                                                         |
|                                         | VALUE                           | Specifies that the prototyped parameter is to be passed by value                                                   |
| Built-in functions                      | %PARMS                          | Returns the number of parameters passed on a call                                                                  |
| Operation codes                         | CALLP                           | Calls a prototyped program or procedure                                                                            |
| Specification type                      | Procedure specification         | Signals the beginning and end of a subprocedure definition                                                         |
| Definition type                         | PR                              | Signals the beginning of a prototype definition                                                                    |
|                                         | PI                              | Signals the beginning of a procedure interface definition                                                          |
|                                         | blank in positions 24-25        | Defines a prototyped parameter                                                                                     |

## Changes to this Guide Since V5R2

---

## Part 1. RPG IV Concepts

This section describes some of the basics of RPG IV:

- Symbolic names
- Compiler directives
- RPG IV program cycle
- Indicators
- Error Handling
- Subprocedures
- General file considerations





---

## Chapter 1. Symbolic Names and Reserved Words

The valid character set for the RPG IV language consists of:

- The letters A B C D E F G H I J K L M N O P Q R S T U V W X Y Z
- RPG IV accepts lowercase letters in symbolic names but translates them to uppercase during compilation
- The numbers 0 1 2 3 4 5 6 7 8 9
- The characters + - \* , . ' & / \$ # : @ \_ > < = ( ) %
- The blank character

**Note:** The \$, #, and @ may appear as different symbols on some codepages. For more information, see the iSeries Information Center globalization topic.

---

### Symbolic Names

A symbolic name is a name that uniquely identifies a specific entity in a program or procedure. In the RPG IV language, symbolic names are used for the following:

- Arrays (see “Array Names” on page 4)
- Conditional compile names (see “Conditional Compile Names” on page 4)
- Data structures (see “Data Structure Names” on page 4)
- Exception output records (see “EXCEPT Names” on page 4)
- Fields (see “Field Names” on page 4)
- Key field lists (see “KLIST Names” on page 4)
- Labels (see “Labels” on page 4)
- Named constants (see “Named Constants” on page 125)
- Parameter lists (see “PLIST Names” on page 5)
- Prototype names (see “Prototype Names” on page 5)
- Record names (see “Record Names” on page 5)
- Subroutines (see “Subroutine Names” on page 5)
- Tables (see “Table Names” on page 5).

The following rules apply to all symbolic names except for deviations noted in the description of each symbolic name:

- The first character of the name must be alphabetic. This includes the characters \$, #, and @.
- The remaining characters must be alphabetic or numeric. This includes the underscore (\_).
- The name must be left-adjusted in the entry on the specification form except in fields which allow the name to float (definition specification, keyword fields, and the extended factor 2 field).
- A symbolic name cannot be an RPG IV reserved word.
- A symbolic name can be from 1 to 4096 characters. The practical limits are determined by the size of the entry used for defining the name. A name that is up to 15 characters can be specified in the Name entry of the definition or procedure specification. For names longer than 15 characters, use a continuation specification. For more information, see Chapter 12, “About Specifications,” on page 235.

## Symbolic Names

- A symbolic name must be unique within the procedure in which it is defined.

## Array Names

The following additional rule applies to array names:

- An array name in a standalone field cannot begin with the letters TAB. Array names may begin with TAB if they are either prototyped parameters or data structures defined with the DIM keyword.

## Conditional Compile Names

The symbolic names used for conditional compilation have no relationship to other symbolic names. For example, if you define a file called MYFILE, you may later use /DEFINE to define condition name MYFILE, and you may also use /UNDEFINE to remove condition name MYFILE. This has no effect on the file name MYFILE.

Conditional compile names can be up to 50 characters long.

## Data Structure Names

A data structure is an area in storage and is considered to be a character field.

## EXCEPT Names

An EXCEPT name is a symbolic name assigned to an exception output record. The following additional rule applies to EXCEPT names:

- The same EXCEPT name can be assigned to more than one output record.

## Field Names

The following additional rules apply to field names:

- A field name can be defined more than once if each definition using that name has the same data type, the same length, and the same number of decimal positions. All definitions using the same name refer to a single field (that is, the same area in storage). However, it can be defined only once on the definition specification.
- A field can be defined as a data structure subfield only once unless the data structure is qualified (defined with QUALIFIED or LIKEDS). In this case, when the subfield is used, it must be qualified (specified in the form *dsname.subfieldname*).
- A subfield name cannot be specified as the result field on an \*ENTRY PLIST parameter.

## KLIST Names

A KLIST name is a symbolic name assigned to a list of key fields.

## Labels

A label is a symbolic name that identifies a specific location in a program (for example, the name assigned to a TAG or ENDSR operation).

## Named Constants

A named constant is a symbolic name assigned to a constant.

## PLIST Names

A PLIST name is a symbolic name assigned to a list of parameters.

## Prototype Names

A prototype name is a symbolic name assigned to a prototype definition. This name must be used when calling a prototyped procedure or program.

## Record Names

A record name is a symbolic name assigned to a record format in an externally described file. The following additional rules apply to record names in an RPG IV program:

- A record name can exist in only one file in the program.

**Note:** See “RENAME(Ext\_format:Int\_format)” on page 287 for information on how to overcome this limitation.

## Subroutine Names

The name is defined in factor 1 of the BEGSR (begin subroutine) operation.

## Table Names

The following additional rules apply to table names:

- A table name can contain from 3 to 10 characters.
- A table name must begin with the letters TAB.
- A table cannot be defined in a subprocedure.

---

## RPG IV Words with Special Functions/Reserved Words

The RPG IV reserved words listed below have special functions within a program.

- The following reserved words allow you to access the job date, or a portion of it, to be used in the program:

UPDATE  
 \*DATE  
 UMONTH  
 \*MONTH  
 UYEAR  
 \*YEAR  
 UDAY  
 \*DAY

- The following reserved words can be used for numbering the pages of a report, for record sequence numbering, or to sequentially number output fields:

PAGE  
 PAGE1-PAGE7

- Figurative constants are implied literals that allow specifications without referring to length:

\*BLANK/\*BLANKS  
 \*ZERO/\*ZEROS  
 \*HIVAL  
 \*LOVAL

## RPG IV Words with Special Functions/Reserved Words

- \*NULL
- \*ON
- \*OFF
- \*ALLX'x1..'
- \*ALLG'oK1K2i'
- \*ALL'X..'
- The following reserved words are used for positioning database files. \*START positions to beginning of file and \*END positions to end of file.
  - \*END
  - \*START
- The following reserved words allow RPG IV indicators to be referred to as data:
  - \*IN
  - \*INxx
- The following are special words used with date and time:
  - \*CDMY
  - \*CMDY
  - \*CYMD
  - \*DMY
  - \*EUR
  - \*HMS
  - \*ISO
  - \*JIS
  - \*JOB
  - \*JOB RUN
  - \*JUL
  - \*LONGJUL
  - \*MDY
  - \*SYS
  - \*USA
  - \*YMD
- The following are special words used with translation:
  - \*ALTSEQ
  - \*EQUATE
  - \*FILE
  - \*FTRANS
- \*PLACE allows repetitive placement of fields in an output record. (See “\*PLACE” on page 372 for more information.)
- \*ALL allows all fields that are defined for an externally described file to be written on output. (See “Rules for Figurative Constants” on page 127 for more information on \*ALL)
- The following are special words used within expressions:
  - AND
  - NOT
  - OR

## RPG IV Words with Special Functions/Reserved Words

**Note:** NOT can only be used within expressions. It cannot be used as a name anywhere in the source.

- The following are special words used with parameter passing:

\*NOPASS  
\*OMIT  
\*RIGHTADJ  
\*STRING  
\*TRIM  
\*VARSIZE

#

- The following special words aid in interpreting the event parameter in an event handling procedure for the XML-SAX operation code:

XML\_ATTR\_UCS2\_REF  
XML\_ATTR\_NAME  
XML\_ATTR\_PREDEF\_REF  
XML\_ATTR\_CHARS  
XML\_CHARS  
XML\_COMMENT  
XML\_UCS2\_REF  
XML\_PREDEF\_REF  
XML\_DOCTYPE\_DECL  
XML\_ENCODING\_DECL  
XML\_END\_CDATA  
XML\_END\_DOCUMENT  
XML\_END\_ELEMENT  
XML\_END\_PREFIX\_MAPPING  
XML\_EXCEPTION  
XML\_PI\_TARGET  
XML\_PI\_DATA  
XML\_STANDALONE\_DECL  
XML\_START\_CDATA  
XML\_START\_DOCUMENT  
XML\_START\_ELEMENT  
XML\_START\_PREFIX\_MAPPING  
XML\_UNKNOWN\_ATTR\_REF  
XML\_UNKNOWN\_REF  
XML\_VERSION\_INFO  
XML\_END\_ATTR

---

### User Date Special Words

The user date special words (UPDATE, \*DATE, UMONTH, \*MONTH, UDAY, \*DAY, UYEAR, \*YEAR) allow the programmer to supply a date for the program at run time. The user date special words access the job date that is specified in the job description. The user dates can be written out at output time; UPDATE and \*DATE can be written out using the Y edit code in the format specified by the control specification.

## User Date Special Words

(For a description of the job date, see the *Work Management* manual.)

### Rules for User Date

Remember the following rules when using the user date:

- UDATE, when specified in positions 30 through 43 of the output specifications, prints a 6-character numeric date field. \*DATE, when similarly specified, prints an 8-character (4-digit year portion) numeric date field. These special words can be used in three different date formats:

Month/day/year

Year/month/day

Day/month/year

Use the DATEDIT keyword on the control specification to specify the date formats of UDATE and \*DATE:

| DATEDIT | UDATE format | *DATE format    |
|---------|--------------|-----------------|
| *MDY    | *MDY         | *USA (mmdyyyy)  |
| *DMY    | *DMY         | *EUR (ddmmyyy)  |
| *YMD    | *YMD         | *ISO (yyyymmdd) |

Note that the DATEDIT keyword also controls the format of the Y edit code.

If this keyword is not specified, the default is \*MDY.

- For an interactive job or batch program, the user date special words are set to the value of the job date when the program starts running in the system. The value of the user date special words are not updated during program processing, even if the program runs past midnight or if the job date is changed. Use the TIME operation code to obtain the time and date while the program is running.
- UMONTH, \*MONTH, UDAY, \*DAY, and UYEAR when specified in positions 30 through 43 of the output specifications, print a 2-position numeric date field. \*YEAR can be used to print a 4-position numeric date field. Use UMONTH or \*MONTH to print the month only, UDAY or \*DAY to print the day only, and UYEAR or \*YEAR to print the year only.
- UDATE and \*DATE can be edited when they are written if the Y edit code is specified in position 44 of the output specifications. The “DATEDIT(fmt{separator})” on page 252 keyword on the control specification determines the format and the separator character to be inserted; for example, 12/31/88, 31.12.88., 12/31/1988.
- UMONTH, \*MONTH, UDAY, \*DAY, UYEAR and \*YEAR cannot be edited by the Y edit code in position 44 of the output specifications.
- The user date fields cannot be modified. This means they cannot be used:
  - In the result field of calculations
  - As factor 1 of PARM operations
  - As the factor 2 index of LOOKUP operations
  - With blank after in output specifications
  - As input fields
- The user date special words can be used in factor 1 or factor 2 of the calculation specifications for operation codes that use numeric fields.
- User date fields are not date data type fields but are numeric fields.

## PAGE, PAGE1-PAGE7

PAGE is used to number the pages of a report, to serially number the output records in a file, or to sequentially number output fields. It does not cause a page eject.

The eight possible PAGE fields (PAGE, PAGE1, PAGE2, PAGE3, PAGE4, PAGE5, PAGE6, and PAGE7) may be needed for numbering different types of output pages or for numbering pages for different printer files.

PAGE fields can be specified in positions 30 through 43 of the output specifications or in the input or calculation specifications.

### Rules for PAGE, PAGE1-PAGE7

Remember the following rules when using the PAGE fields:

- When a PAGE field is specified in the output specifications, without being defined elsewhere, it is assumed to be a four-digit, numeric field with zero decimal positions.
- Page numbering, unless otherwise specified, starts with 0001; and 1 is automatically added for each new page.
- To start at a page number other than 1, set the value of the PAGE field to one less than the starting page number. For example, if numbering starts with 24, enter a 23 in the PAGE field. The PAGE field can be of any length but must have zero decimal positions (see Figure 1).
- Page numbering can be restarted at any point in a job. The following methods can be used to reset the PAGE field:
  - Specify blank-after (position 45 of the output specifications).
  - Specify the PAGE field as the result field of an operation in the calculation specifications.
  - Specify an output indicator in the output field specifications (see Figure 2 on page 10). When the output indicator is on, the PAGE field will be reset to 1. Output indicators cannot be used to control the printing of a PAGE field, because a PAGE field is always written.
  - Specify the PAGE field as an input field as shown in Figure 1.
- Leading zeros are automatically suppressed (Z edit code is assumed) when a PAGE field is printed unless an edit code, edit word, or data format (P/B/L/R in position 52) has been specified. Editing and the data format override the suppression of leading zeros. When the PAGE field is defined in input and calculation specifications, it is treated as a field name in the output specifications and zero suppression is not automatic.

```
*...1....+....2....+....3....+....4....+....5....+....6....+....7...
IFilename++SqNORiPos1+NCCPos2+NCCPos3+NCC.....
I.....Fmt+SPFrom+To+++DcField+++++++L1M1FrP1MnZr....
IINPUT PG 50 1 CP
I 2 5 0PAGE
```

Figure 1. Page Record Description

## PAGE, PAGE1-PAGE7

```
*...1....+....2....+....3....+....4....+....5....+....6....+....7...
OFilename++DF..N01N02N03Excnam++++B++A++Sb+Sa+.....
O.....N01N02N03Field+++++++YB.End++PConstant/editword/DTformat
O* When indicator 15 is on, the PAGE field is set to zero and 1 is
O* added before the field is printed. When indicator 15 is off, 1
O* is added to the contents of the PAGE field before it is printed.
OPRINT H L1 01
0 15 PAGE 1 75
```

Figure 2. Resetting the PAGE Fields to Zero



---

## Chapter 2. Compiler Directives

The compiler directive statements `/FREE... /END-FREE` denote a free-form calculation specification block. The compiler directive statements `/TITLE`, `/EJECT`, `/SPACE`, `/COPY`, and `/INCLUDE` allow you to specify heading information for the compiler listing, to control the spacing of the compiler listing, and to insert records from other file members during a compile. The conditional compilation directive statements `/DEFINE`, `/UNDEFINE`, `/IF`, `/ELSEIF`, `/ELSE`, `/ENDIF`, and `/EOF` allow you to select or omit source records. The compiler directive statements must precede any compile-time array or table records, translation records, and alternate collating sequence records (that is, `**` records).

---

### **`/FREE... /END-FREE` (Positions 7-11)**

| Positions | Entry                                        |
|-----------|----------------------------------------------|
| 7-11      | <code>/FREE</code> or <code>/END-FREE</code> |
| 12-80     | Blank                                        |

The `/FREE` compiler directive specifies the beginning of a free-form calculation specifications block. `/END-FREE` specifies the end of the block. Positions 12 through 80 must be blank. The remaining positions may be used for comments. See “Free-Form Syntax” on page 363 for information on using free-form statements.

---

### **`/TITLE` (Positions 7-12)**

Use the compiler directive `/TITLE` to specify heading information (such as security classification or titles) that is to appear at the top of each page of the compiler listing. The following entries are used for `/TITLE`:

| Positions | Entry               |
|-----------|---------------------|
| 7-12      | <code>/TITLE</code> |
| 13        | Blank               |
| 14-100    | Title information   |

A program can contain more than one `/TITLE` statement. Each `/TITLE` statement provides heading information for the compiler listing until another `/TITLE` statement is encountered. A `/TITLE` statement must be the first RPG specification encountered to print information on the first page of the compiler listing. The information specified by the `/TITLE` statement is printed in addition to compiler heading information.

The `/TITLE` statement causes a skip to the next page before the title is printed. The `/TITLE` statement is not printed on the compiler listing.

---

### **`/EJECT` (Positions 7-12)**

| Positions | Entry               |
|-----------|---------------------|
| 7-12      | <code>/EJECT</code> |

## **/EJECT (Positions 7-12)**

|        |          |
|--------|----------|
| 13-49  | Blank    |
| 50-100 | Comments |

Enter /EJECT in positions 7 through 12 to indicate that subsequent specifications are to begin on a new page of the compiler listing. Positions 13 through 49 of the /EJECT statement must be blank. The remaining positions may be used for comments. If the spool file is already at the top of a new page, /EJECT will not advance to a new page. /EJECT is not printed on the compiler listing.

---

## **/SPACE (Positions 7-12)**

Use the compiler directive /SPACE to control line spacing within the source section of the compiler listing. The following entries are used for /SPACE:

| <b>Positions</b> | <b>Entry</b>                                                                                                                                     |
|------------------|--------------------------------------------------------------------------------------------------------------------------------------------------|
| 7-12             | /SPACE                                                                                                                                           |
| 13               | Blank                                                                                                                                            |
| 14-16            | A positive integer value from 1 through 112 that defines the number of lines to space on the compiler listing. The number must be left-adjusted. |
| 17-49            | Blank                                                                                                                                            |
| 50-100           | Comments                                                                                                                                         |

If the number specified in positions 14 through 16 is greater 112, 112 will be used as the /SPACE value. If the number specified in positions 14 through 16 is greater than the number of lines remaining on the current page, subsequent specifications begin at the top of the next page.

/SPACE is not printed on the compiler listing, but is replaced by the specified line spacing. The line spacing caused by /SPACE is in addition to the two lines that are skipped between specification types.

---

## **/COPY or /INCLUDE**

The /COPY and /INCLUDE directives have the same purpose and the same syntax, but are handled differently by the SQL precompiler. If your program does not have embedded SQL, you can freely choose which directive to use. If your program has embedded SQL, see "Using /COPY, /INCLUDE in Source Files with Embedded SQL" on page 14 for information about which directive to use.

The /COPY and /INCLUDE compiler directives cause records from other files to be inserted, at the point where the directive occurs, with the file being compiled. The inserted files may contain any valid specification including /COPY and /INCLUDE up to the maximum nesting depth specified by the COPYNEST keyword (32 when not specified).

/COPY and /INCLUDE files can be either physical files or IFS files. To specify a physical file, code your /COPY and /INCLUDE statement in the following way :

- /COPY or /INCLUDE followed by exactly one space followed by the file name or path
- when specifying a physical file, the library, file, and member name, can be in one of these formats:

```
libraryname/filename,membername
filename,membername
membername
```

- A member name must be specified.
- If a file name is not specified, QRPGLSRC is assumed.
- If a library is not specified, the library list is searched for the file. All occurrences of the specified source file in the library list are searched for the member until it is located or the search is complete.
- If a library is specified, a file name must also be specified.
- When specifying an IFS (Integrated File System) file, the path can be either absolute (beginning with /) or relative.
  - The path can be enclosed in single or double quotes. If the path contains blanks, it must be enclosed in quotes.
  - If the path does not end with a suffix (for example ".txt"), the compiler will search for the file as named, and also for files with suffixes of ".rpgle" or ".rpgleinc".
  - See the *WebSphere Development Studio: ILE RPG Programmer's Guide* for information on using IFS /COPY files.
- Optionally, at least one space and a comment.

/COPY members are considered fixed-form by default, even if the /COPY directive is coded within a free-form group. If the /COPY member will contain free-form specifications, these must be delimited with /FREE and /END-FREE directives.

**TIP**

To facilitate application maintenance, you may want to place the prototypes of exported procedures in a separate source member. If you do, be sure to place a /COPY or /INCLUDE directive for that member in both the module containing the exported procedure and any modules that contain calls to the exported procedure.

Figure 3 shows some examples of the /COPY and /INCLUDE directive statements.

```
C/COPY MBR1 1
I/INCLUDE SRCFIL,MBR2 2
O/COPY SRCLIB/SRCFIL,MBR3 3
O/INCLUDE "SRCLIB!"/"SRC>3", "MBR~3" 4
O/COPY /dir1/dir2/file.rpg 5
O/COPY /dir1/dir2/file 6
O/COPY dir1/dir2/file.rpg 7
O/COPY "ifs file containing blanks" 8
O/COPY 'ifs file containing blanks' 8
```

Figure 3. Examples of the /COPY and /INCLUDE Compiler Directive Statements

## /COPY or /INCLUDE

- 1** Copies from member MBR1 in source file QRPGLSRC. The current library list is used to search for file QRPGLSRC. If the file is not found in the library list, the search will proceed to the IFS, looking for file MBR1, MBR1.rpgle or MBR1.rpgleinc in the include search path. See the *WebSphere Development Studio: ILE RPG Programmer's Guide* for information on using IFS source files.
- 2** Copies from member MBR2 in file SRCFIL. The current library list is used to search for file SRCFIL. Note that the comma is used to separate the file name from the member name. If the file is not found in the library list, the search will proceed to the IFS, looking for file *SRCFIL*, *MBR1* in the include search path, possibly with the .rpgle or .rpgleinc suffixes.
- 3** Copies from member MBR3 in file SRCFIL in library SRCLIB or from the IFS file *SRCFIL*, *MBR3* in directory SRCLIB.
- 4** Copies from member "MBR~3" in file "SRC>3" in library "SRCLIB!"
- 5** Copies from the IFS file file.rpg in directory /dir1/dir2.
- 6** Copies from file, or file.rpgleinc or file.rpgle in directory /dir1/dir2
- 7** Copies from the IFS file file.rpg in directory dir1/dir2, searching for directory dir1/dir2 using the IFS search path.
- 8** Copies from a file whose name contains blanks.

### Results of the /COPY or /INCLUDE during Compile

During compilation, the specified file members are merged into the program at the point where the /COPY or /INCLUDE statement occurs. All members will appear in the COPY member table.

### Nested /COPY or /INCLUDE

Nesting of /COPY and /INCLUDE directives is allowed. A /COPY or /INCLUDE member may contain one or more /COPY or /INCLUDE directives (which in turn may contain further /COPY or /INCLUDE directives and so on). The maximum depth to which nesting can occur can be set using the COPYNEST control specification keyword. The default maximum depth is 32.

#### TIP

You must ensure that your nested /COPY or /INCLUDE files do not include each other infinitely. Use conditional compilation directives at the beginning of your /COPY or /INCLUDE files to prevent the source lines from being used more than once.

For an example of how to prevent multiple inclusion, see Figure 4 on page 19.

### Using /COPY, /INCLUDE in Source Files with Embedded SQL

The /COPY and /INCLUDE directives are identical except that they are handled differently by the SQL precompiler.

```
The way the /COPY and /INCLUDE directives are handled by the SQL
precompiler is different depending on the RPG preprocessor options parameter
(RPGPPOPT) specified on the CRTSQLRPGI command. Refer to "Coding SQL
```

# statements in ILE RPG for iSeries applications" in the Embedded SQL  
 # Programming topic or the CRTSQLRPGI command in the CL topic for more  
 # information.

---

## Conditional Compilation Directives

The conditional compilation directive statements allow you to conditionally include or exclude sections of source code from the compile.

- Condition-names can be added or removed from a list of currently defined conditions using the defining condition directives /DEFINE and /UNDEFINE.
- Condition expressions DEFINED(condition-name) and NOT DEFINED(condition-name) are used within testing condition /IF groups.
- Testing condition directives, /IF, /ELSEIF, /ELSE and /ENDIF, control which source lines are to be read by the compiler.
- The /EOF directive tells the compiler to ignore the rest of the source lines in the current source member.

### Defining Conditions

Condition-names can be added to or removed from a list of currently defined conditions using the defining condition directives /DEFINE and /UNDEFINE.

#### **/DEFINE (Positions 7-13)**

The /DEFINE compiler directive defines conditions for conditional compilation. The entries in the condition-name area are free-format (do not have to be left justified). The following entries are used for /DEFINE:

| Positions | Entry          |
|-----------|----------------|
| 7 - 13    | /DEFINE        |
| 14        | Blank          |
| 15 - 80   | condition-name |
| 81 - 100  | Comments       |

The /DEFINE directive adds a condition-name to the list of currently defined conditions. A subsequent /IF DEFINED(condition-name) would be true. A subsequent /IF NOT DEFINED(condition-name) would be false.

**Note:** The command parameter DEFINE can be used to predefine up to 32 conditions on the CRTBNDRPG and CRTRPGMOD commands.

#### **/UNDEFINE (Positions 7-15)**

Use the /UNDEFINE directive to indicate that a condition is no longer defined. The entries in the condition-name area are free-format (do not have to be left justified).

| Positions | Entry          |
|-----------|----------------|
| 7 - 15    | /UNDEFINE      |
| 16        | Blank          |
| 17 - 80   | condition-name |
| 81 - 100  | Comments       |

## Conditional Compilation Directives

The `/UNDEFINE` directive removes a condition-name from the list of currently defined conditions. A subsequent `/IF DEFINED(condition-name)` would be false. A subsequent `/IF NOT DEFINED(condition-name)` would be true.

**Note:** Any conditions specified on the `DEFINE` parameter will be considered to be defined when processing `/IF` and `/ELSEIF` directives. These conditions can be removed using the `/UNDEFINE` directive.

## Predefined Conditions

Several conditions are defined for you by the RPG compiler. These conditions cannot be used with `/DEFINE` or `/UNDEFINE`. They can only be used with `/IF` and `/ELSEIF`.

### Conditions Relating to the Environment

**\*ILERPG** This condition is defined if your program is being compiled by the ILE RPG IV compiler (the compiler described in this document).

- \* This module is to be defined on different platforms. With
- \* the ILE RPG compiler, the `BNDDIR` keyword is used to
- \* indicate where procedures can be found. With a different
- \* compiler, the `BNDDIR` keyword might not be valid.

```
/IF DEFINED(*ILERPG)
H BNDDIR('QC2LE')
/ENDIF
```

To learn what conditions are available with another version of the RPG IV compiler, consult the reference for the compiler. For example, for VisualAge RPG see *VisualAge RPG Language Reference*, SC09-2451-06.

### Conditions Relating to the Command Being Used

**\*CRTBNDRPG**

This condition is defined if your program is being compiled by the `CRTBNDRPG` command, which creates a program.

```
/IF DEFINED(*CRTBNDRPG)
H DFTACTGRP(*NO)
/ENDIF
```

**\*CRTRPGMOD**

This condition is defined if your program is being compiled by the `CRTRPGMOD` command, which creates a module.

- \* This code might appear in a generic Control specification
- \* contained in a `/COPY` file. The module that contains the
- \* main procedure would define condition `THIS_IS_MAIN` before
- \* coding the `/COPY` directive.

- \* If the `CRTRPGMOD` command is not being used, or if
- \* `THIS_IS_MAIN` is defined, the `NOMAIN` keyword will not
- \* be used in this Control specification.

```
/IF DEFINED(*CRTRPGMOD)
/IF NOT DEFINED(THIS_IS_MAIN)
H NOMAIN
/ENDIF
/ENDIF
```

### Conditions Relating to the Target Release

**\*VxRxMx** This condition is defined if your program is being compiled for a

version that is greater than or equal to the release in the condition, starting with \*V4R4M0 (Version 4 Release 4 Modification 0).

Use this condition if you will run the same program on different target releases, and want to take advantage of features that are not available in every release. Support for this condition is available starting with \*V4R4M0 systems with the appropriate PTF installed.

```
/IF DEFINED(*V5R1M0)
```

```
* Specify code that is valid in V5R1M0 and subsequent releases
```

```
I/INCLUDE SRCFIL,MBR2
```

```
/ELSE
```

```
* Specify code that is available in V4R4M0
```

```
I/COPY SRCFIL,MBR2
```

```
/ENDIF
```

### Condition Expressions

A condition expression has one of the following forms:

- DEFINED(condition-name)
- NOT DEFINED(condition-name)

The condition expression is free-format but cannot be continued to the next line.

### Testing Conditions

Conditions are tested using /IF groups, consisting of an /IF directive, followed by zero or more /ELSEIF directives, followed optionally by an /ELSE directive, followed by an /ENDIF directive.

Any source lines except compile-time data, are valid between the directives of an /IF group. This includes nested /IF groups.

**Note:** There is no practical limit to the nesting level of /IF groups.

#### **/IF Condition-Expression (Positions 7-9)**

The /IF compiler directive is used to test a condition expression for conditional compilation. The following entries are used for /IF:

| <b>Positions</b> | <b>Entry</b>         |
|------------------|----------------------|
| 7 - 9            | /IF                  |
| 10               | Blank                |
| 11 - 80          | Condition expression |
| 81 - 100         | Comments             |

If the condition expression is true, source lines following the /IF directive are selected to be read by the compiler. Otherwise, lines are excluded until the next /ELSEIF, /ELSE or /ENDIF in the same /IF group.

#### **/ELSEIF Condition-Expression (Positions 7-13)**

The /ELSEIF compiler directive is used to test a condition expression within an /IF or /ELSEIF group. The following entries are used for /ELSEIF:

| <b>Positions</b> | <b>Entry</b> |
|------------------|--------------|
|------------------|--------------|

## Conditional Compilation Directives

|          |                      |
|----------|----------------------|
| 7 - 13   | /ELSEIF              |
| 14       | Blank                |
| 15 - 80  | Condition expression |
| 81 - 100 | Comments             |

If the previous /IF or /ELSEIF was not satisfied, and the condition expression is true, then source lines following the /ELSEIF directive are selected to be read. Otherwise, lines are excluded until the next /ELSEIF, /ELSE or /ENDIF in the same /IF group is encountered.

### **/ELSE (Positions 7-11)**

The /ELSE compiler directive is used to unconditionally select source lines to be read following a failed /IF or /ELSEIF test. The following entries are used for /ELSE:

| Positions | Entry    |
|-----------|----------|
| 7 - 11    | /ELSE    |
| 12 - 80   | Blank    |
| 81 - 100  | Comments |

If the previous /IF or /ELSEIF was not satisfied, source lines are selected until the next /ENDIF.

If the previous /IF or /ELSEIF was satisfied, source lines are excluded until the next /ENDIF.

### **/ENDIF (Positions 7-12)**

The /ENDIF compiler directive is used to end the most recent /IF, /ELSEIF or /ELSE group. The following entries are used for /ENDIF:

| Positions | Entry    |
|-----------|----------|
| 7 - 12    | /ENDIF   |
| 13 - 80   | Blank    |
| 81 - 100  | Comments |

Following the /ENDIF directive, if the matching /IF directive was a selected line, lines are unconditionally selected. Otherwise, the entire /IF group was not selected, so lines continue to be not selected.

### **Rules for Testing Conditions**

- /ELSEIF, and /ELSE are not valid outside an /IF group.
- An /IF group can contain at most one /ELSE directive. An /ELSEIF directive cannot follow an /ELSE directive.
- /ENDIF is not valid outside an /IF, /ELSEIF or /ELSE group.
- Every /IF must be matched by a subsequent /ENDIF.
- All the directives associated with any one /IF group must be in the same source file. It is not valid to have /IF in one file and the matching /ENDIF in another, even if the second file is in a nested /COPY. However, a complete /IF group can be in a nested /COPY.



## The /EOF Directive

The /EOF directive tells the compiler to ignore the rest of the source lines in the current source member.

### /EOF (Positions 7-10)

The /EOF compiler directive is used to indicate that the compiler should consider that end-of-file has been reached for the current source file. The following entries are used for /EOF:

| Positions | Entry    |
|-----------|----------|
| 7 - 10    | /EOF     |
| 11 - 80   | Blank    |
| 81 - 100  | Comments |

/EOF will end any active /IF group that became active during the reading of the current source member. If the /EOF was in a /COPY file, then any conditions that that were active when the /COPY directive was read will still be active.

**Note:** If excluded lines are being printed on the listing, the source lines will continue to be read and listed after /EOF, but the content of the lines will be completely ignored by the compiler. No diagnostic messages will ever be issued after /EOF.

#### TIP

Using the /EOF directive will enhance compile-time performance when an entire /COPY member is to be used only once, but may be copied in multiple times. (This is not true if excluded lines are being printed).

The following is an example of the /EOF directive.

```

*-----
* Main source file
*-----
....
/IF DEFINED(READ_XYZ) 1
/COPY XYZ 2
/ENDIF
....
*-----
* /COPY file XYZ
*-----
/IF DEFINED(XYZ_COPIED) 3
/EOF
/ELSE
/DEFINE XYZ_COPIED
D
/ENDIF

```

Figure 4. /EOF Directive

The first time this /COPY member is read, XYZ\_COPIED will not be defined, so the /EOF will not be considered.

The second time this member is read, XYZ\_COPIED is defined, so the /EOF is processed. The /IF DEFINED(XYZ\_COPIED) (**3**) is considered ended, and the

## Conditional Compilation Directives

file is closed. However, the /IF DEFINED(READ\_XYZ) ( **1** ) from the main source member is still active until its own /ENDIF ( **2** ) is reached.

### Handling of Directives by the RPG Preprocessor

The handling of compiler directives by the RPG preprocessor depends on the options specified on the PPGENOPT parameter on the compile command. There are several actions the preprocessor can take on a particular directive:

- The directive may be kept in the generated source file (indicated by "keep" in the table below)
- The directive may be removed from the generated source file (indicated by "remove" in the table below)
- The directive may be kept in the generated source file, but as a comment (indicated by "comment" in the table below)

In general, with option \*RMVCOMMENT, only the directives necessary for successful compilation are output to the generated source file. With option \*NORMVCOMMENT, the directives not necessary for successful compilation of the generated source file are converted into comments.

The following table summarizes how each directive is handled by the preprocessor for the various PPGENOPT parameter values:

| Directive | *RMVCOMMENT |               | *NORMVCOMMENT |               |
|-----------|-------------|---------------|---------------|---------------|
|           | *EXPINCLUDE | *NOEXPINCLUDE | *EXPINCLUDE   | *NOEXPINCLUDE |
| /COPY     | remove      | remove        | comment       | comment       |
| /DEFINE   | remove      | keep          | comment       | keep          |
| /EJECT    | remove      | remove        | keep          | keep          |
| /ELSE     | remove      | remove        | comment       | comment       |
| /ELSEIF   | remove      | remove        | comment       | comment       |
| /END-EXEC | keep        | keep          | keep          | keep          |
| /END-FREE | keep        | keep          | keep          | keep          |
| /ENDIF    | remove      | remove        | comment       | comment       |
| /EOF      | remove      | remove        | comment       | comment       |
| /EXEC     | keep        | keep          | keep          | keep          |
| /FREE     | keep        | keep          | keep          | keep          |
| /IF       | remove      | remove        | comment       | comment       |
| /INCLUDE  | remove      | keep          | comment       | keep          |
| /SPACE    | remove      | remove        | keep          | keep          |
| /TITLE    | remove      | remove        | keep          | keep          |
| /UNDEFINE | remove      | keep          | comment       | keep          |

---

## Chapter 3. Program Cycle

The ILE RPG compiler supplies part of the logic for an RPG program. The logic the compiler supplies is called the *program cycle* or *logic cycle*. The program cycle is a series of ordered steps that the main procedure goes through for each record read.

The information that you code on RPG IV specifications in your source program need not explicitly specify when records should be read or written. The ILE RPG compiler can supply the logical order for these operations when your source program is compiled. Depending on the specifications you code, your program may or may not use each step in the cycle.

Primary (identified by a P in position 18 of the file description specifications) and secondary (identified by an S in position 18 of the file description specifications) files indicate input is controlled by the program cycle. A full procedural file (identified by an F in position 18 of the file description specifications) indicates that input is controlled by program-specified calculation operations (for example, READ and CHAIN).

To control the cycle, you can have:

- One primary file and, optionally, one or more secondary files
- Only full procedural files
- A combination of one primary file, optional secondary files, and one or more full procedural files in which some of the input is controlled by the cycle, and other input is controlled by the program.
- No files (for example, input can come from a parameter list or a data area data structure).

**Note:** No cycle code is generated for a module when NOMAIN is specified on the control specification.

---

### General RPG IV Program Cycle

Figure 5 on page 22 shows the specific steps in the general flow of the RPG IV program cycle. A program cycle begins with step 1 and continues through step 7, then begins again with step 1.

The first and last time a program goes through the RPG IV cycle differ somewhat from the normal cycle. Before the first record is read the first time through the cycle, the program resolves any parameters passed to it, writes the records conditioned by the 1P (first page) indicator, does file and data initialization, and processes any heading or detail output operations having no conditioning indicators or all negative conditioning indicators. For example, heading lines printed before the first record is read might consist of constant or page heading information or fields for reserved words, such as PAGE and \*DATE. In addition, the program bypasses total calculations and total output steps on the first cycle.

During the last time a program goes through the cycle, when no more records are available, the LR (last record) indicator and L1 through L9 (control level) indicators are set on, and file and data area cleanup is done.

## General RPG IV Program Cycle

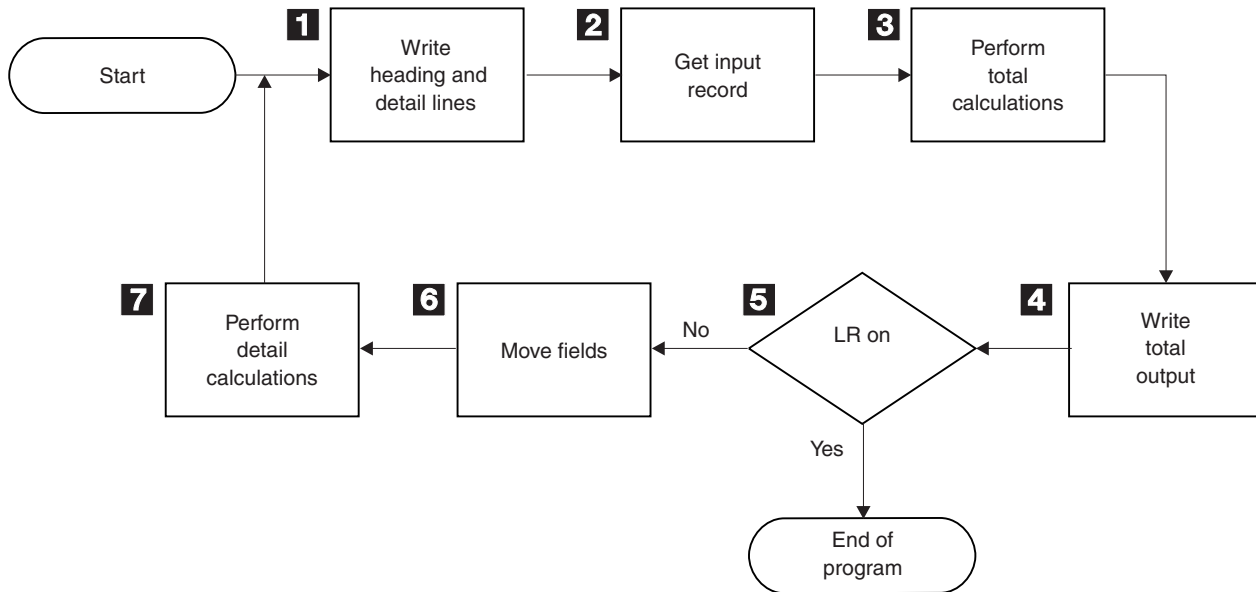


Figure 5. RPG IV Program Logic Cycle

- 1** All heading and detail lines (H or D in position 17 of the output specifications) are processed.
- 2** The next input record is read and the record identifying and control level indicators are set on.
- 3** Total calculations are processed. They are conditioned by an L1 through L9 or LR indicator, or an L0 entry.
- 4** All total output lines are processed. (identified by a T in position 17 of the output specifications).
- 5** It is determined if the LR indicator is on. If it is on, the program is ended.
- 6** The fields of the selected input records are moved from the record to a processing area. Field indicators are set on.
- 7** All detail calculations are processed (those not conditioned by control level indicators in positions 7 and 8 of the calculation specifications) on the data from the record read at the beginning of the cycle.

---

## Detailed RPG IV Program Cycle

In “General RPG IV Program Cycle” on page 21, the basic RPG IV Logic Cycle was introduced. The following figures provide a detailed explanation of the RPG IV Logic Cycle.

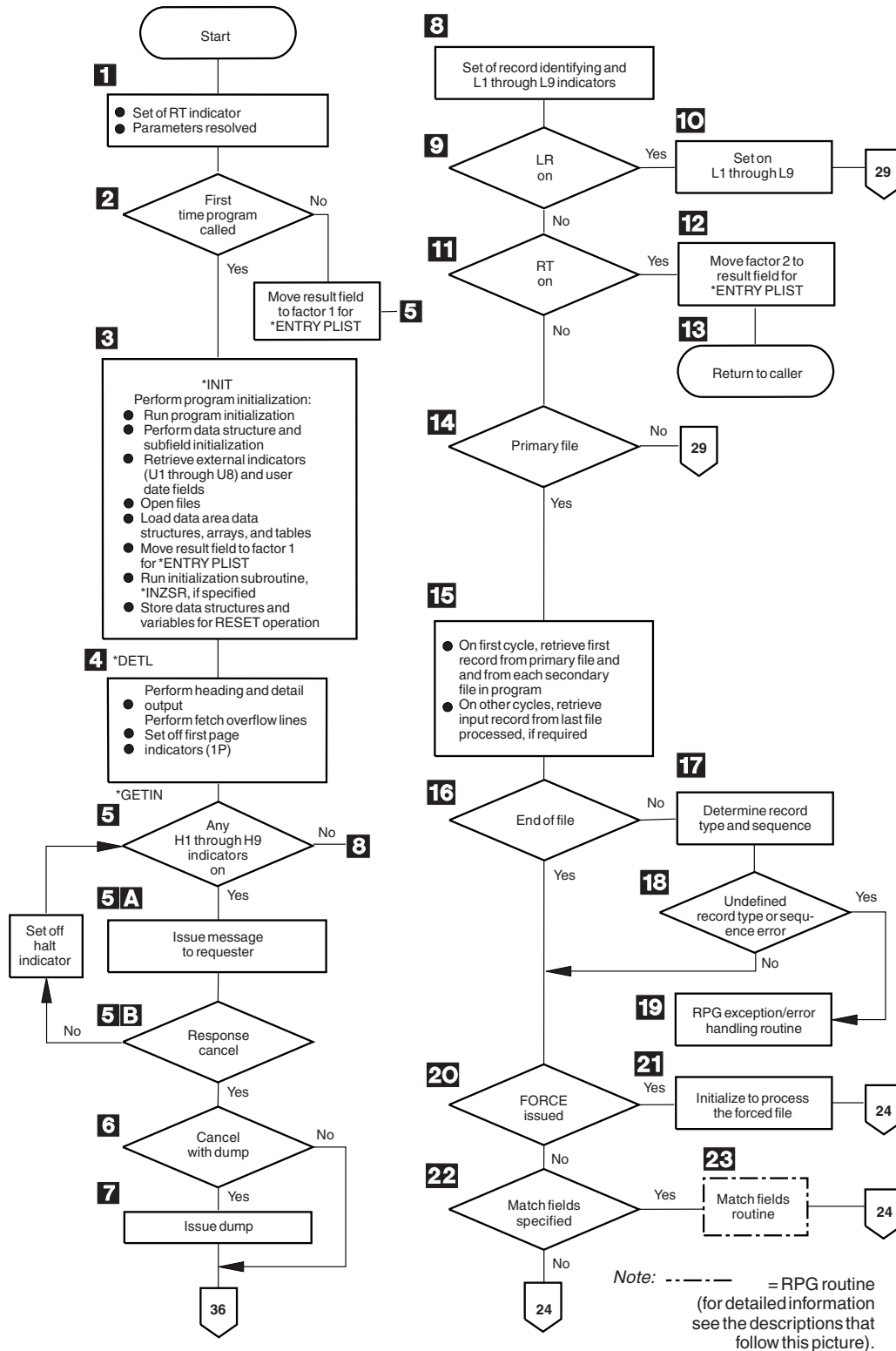


Figure 6. Detailed RPG IV Object Program Cycle (Part 1 of 2)

# Detailed RPG IV Program Cycle

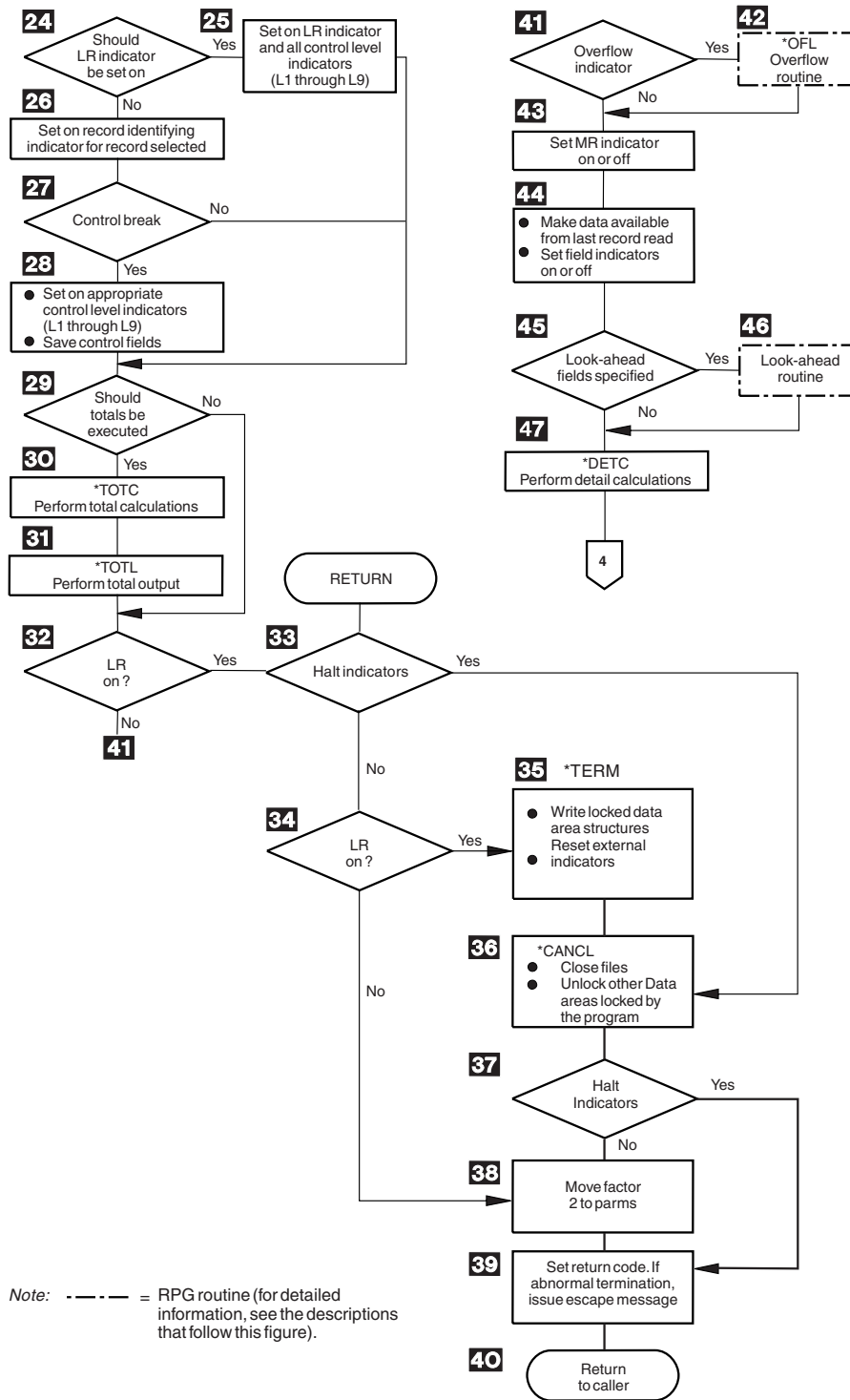


Figure 6. Detailed RPG IV Object Program Cycle (Part 2 of 2)

## Detailed RPG IV Object Program Cycle

Figure 6 on page 23 shows the specific steps in the detailed flow of the RPG IV program cycle. The item numbers in the following description refer to the numbers in the figure. Routines are flowcharted in Figure 9 on page 33 and in Figure 7 on page 29.

- 1** The RT indicator is set off. If \*ENTRY PLIST is specified the parameters are resolved.
- 2** RPG IV checks for the first invocation of the program. If it is the first invocation, program initialization continues. If not, it moves the result field to factor 1 in the PARM statements in \*ENTRY PLIST and branches to step 5.
- 3** The program is initialized at \*INIT in the cycle. This process includes: performing data structure and subfield initialization, setting user date fields; opening files; loading all data area data structures, arrays and tables; moving the result field to factor 1 in the PARM statements in \*ENTRY PLIST; running the initialization subroutine \*INZSR; and storing the structures and variables for the RESET operation. Files are opened in reverse order of their specification on the File Description Specifications.
- 4** Heading and detail lines (identified by an H or D in position 17 of the output specifications) are written before the first record is read. Heading and detail lines are always processed at the same time. If conditioning indicators are specified, the proper indicator setting must be satisfied. If fetch overflow logic is specified and the overflow indicator is on, the appropriate overflow lines are written. File translation, if specified, is done for heading and detail lines and overflow output. This step is the return point in the program if factor 2 of an ENDSR operation contains the value \*DETL.
- 5** The halt indicators (H1 through H9) are tested. If all the halt indicators are off, the program branches to step 8. Halt indicators can be set on anytime during the program. This step is the return point in the program if factor 2 of an ENDSR operation contains the value \*GETIN.
  - a. If any halt indicators are on, a message is issued to the user.
  - b. If the response is to continue, the halt indicator is set off, and the program returns to step 5. If the response is to cancel, the program goes to step 6.
- 6** If the response is to cancel with a dump, the program goes to step 7; otherwise, the program branches to step 36.
- 7** The program issues a dump and branches to step 36 (abnormal ending).
- 8** All record identifying, 1P (first page), and control level (L1 through L9) indicators are set off. All overflow indicators (OA through OG, OV) are set off unless they have been set on during preceding detail calculations or detail output. Any other indicators that are on remain on.
- 9** If the LR (last record) indicator is on, the program continues with step 10. If it is not on, the program branches to step 11.
- 10** The appropriate control level (L1 through L9) indicators are set on and the program branches to step 29.
- 11** If the RT indicator is on, the program continues with step 12; otherwise, the program branches to step 14.
- 12** Factor 2 is moved to the result field for the parameters of the \*ENTRY PLIST.
- 13** If the RT indicator is on (return code set to 0), the program returns to the caller.

## Detailed RPG IV Program Cycle

- 14** If a primary file is present in the program, the program continues with step 15; otherwise, the program branches to step 29.
- 15** During the first program cycle, the first record from the primary file and from each secondary file in the program is read. File translation is done on the input records. In other program cycles, a record is read from the last file processed. If this file is processed by a record address file, the data in the record address file defines the record to be retrieved. If lookahead fields are specified in the last record processed, the record may already be in storage; therefore, no read may be done at this time.
- 16** If end of file has occurred on the file just read, the program branches to step 20. Otherwise, the program continues with step 17.
- 17** If a record has been read from the file, the record type and record sequence (positions 17 through 20 of the input specifications) are determined.
- 18** It is determined whether the record type is defined in the program, and if the record sequence is correct. If the record type is undefined or the record sequence is incorrect, the program continues with step 19; otherwise, the program branches to step 20.
- 19** The RPG IV exception/error handling routine receives control.
- 20** It is determined whether a FORCE operation was processed on the previous cycle. If a FORCE operation was processed, the program selects that file for processing (step 21) and branches around the processing for match fields (steps 22 and 23). The branch is processed because all records processed with a FORCE operation are processed with the matching record (MR) indicator off.
- 21** If FORCE was issued on the previous cycle, the program selects the forced file for processing after saving any match fields from the file just read. If the file forced is at end of file, normal primary/secondary multifile logic selects the next record for processing and the program branches to step 24.
- 22** If match fields are specified, the program continues with step 23; otherwise, the program branches to step 24.
- 23** The match fields routine receives control. (For detailed information on the match fields routine, see "Match Fields Routine" on page 29.)
- 24** The LR (last record) indicator is set on when all records are processed from the files that have an E specified in position 19 of the file description specifications and all matching secondary records have been processed. If the LR indicator is not set on, processing continues with step 26.
- 25** The LR (last record) indicator is set on and all control level (L1 through L9) indicators, and processing continues with step 29.
- 26** The record identifying indicator is set on for the record selected for processing.
- 27** It is determined whether the record selected for processing caused a control break. A control break occurs when the value in the control fields of the record being processed differs from the value of the control fields of the last record processed. If a control break has not occurred, the program branches to step 29.
- 28** When a control break occurs, the appropriate control level indicator (L1 through L9) is set on. All lower level control indicators are set on. The program saves the contents of the control fields for the next comparison.



- 29** It is determined whether the total-time calculations and total-time output should be done. Totals are always processed when the LR indicator is on. If no control level is specified on the input specifications, totals are bypassed on the first cycle and after the first cycle, totals are processed on every cycle. If control levels are specified on the input specifications, totals are bypassed until after the first record containing control fields has been processed.
- 30** All total calculations conditioned by a control level entry (positions 7 and 8 of the calculation specifications). are processed. This step is the return point in the program if factor 2 of an ENDSR operation contains the value \*TOTC.
- 31** All total output is processed. If fetch overflow logic is specified and the overflow indicator (OA through OG, OV) associated with the file is on, the overflow lines are written. File translation, if specified, is done for all total output and overflow lines. This step is the return point in the program if factor 2 of an ENDSR operation contains the value \*TOTL.
- 32** If LR is on, the program continues with step 33; otherwise, the program branches to step 41.
- 33** The halt indicators (H1 through H9) are tested. If any halt indicators are on, the program branches to step 36 (abnormal ending). If the halt indicators are off, the program continues with step 34. If the RETURN operation code is used in calculations, the program branches to step 33 after processing of that operation.
- 34** If LR is on, the program continues with step 35. If it is not on, the program branches to step 38.
- 35** RPG IV program writes all arrays or tables for which the TOFILE keyword has been specified on the definition specification and writes all locked data area data structures. Output arrays and tables are translated, if necessary.
- 36** All open files are closed. The RPG IV program also unlocks all data areas that have been locked but not unlocked by the program. If factor 2 of an ENDSR operation contains the value \*CANCL, this step is the return point.
- 37** The halt indicators (H1 through H9) are tested. If any halt indicators are on, the program branches to step 39 (abnormal ending). If the halt indicators are off, the program continues with step 38.
- 38** The factor 2 fields are moved to the result fields on the PARMs of the \*ENTRY PLIST.
- 39** The return code is set. 1 = LR on, 2 = error, 3 = halt.
- 40** Control is returned to the caller.

**Note:** Steps 32 through 40 constitute the normal ending routine. For an abnormal ending, steps 34 through 35 are bypassed.

- 41** It is determined whether any overflow indicators (OA through OG OV) are on. If an overflow indicator is on, the program continues with step 42; otherwise, the program branches to step 43.
- 42** The overflow routine receives control. (For detailed information on the overflow routine, see "Overflow Routine" on page 29.) This step is the return point in the program if factor 2 of an ENDSR operation contains the value \*OFL.
- 43** The MR indicator is set on and remains on for the complete cycle that

## Detailed RPG IV Program Cycle

processes the matching record if this is a multifile program and if the record to be processed is a matching record. Otherwise, the MR indicator is set off.

- 44** Data from the last record read is made available for processing. Field indicators are set on, if specified.
- 45** If lookahead fields are specified, the program continues with step 46; otherwise, the program branches to step 47.
- 46** The lookahead routine receives control. (For detailed information on the lookahead routine, see “Lookahead Routine” on page 30.)
- 47** Detail calculations are processed. This step is the return point in the program if factor 2 of an ENDSR operation contains the value \*DETC. The program branches to step 4.

### Initialization Subroutine

Refer to Figure 6 on page 23 to see a detailed explanation of the RPG IV initialization subroutine.

The initialization subroutine allows you to process calculation specifications before 1P output. A specific subroutine that is to be run at program initialization time can be defined by specifying \*INZSR in factor 1 of the subroutine’s BEGSR operation. Only one subroutine can be defined as an initialization subroutine. It is called at the end of the program initialization step of the program cycle (that is, after data structures and subfields are initialized, external indicators and user data fields are retrieved, files are opened, data area data structures, arrays, and tables are loaded, and PARM result fields moved to factor 1 for \*ENTRY PLIST). \*INZSR may not be specified as a file/program error/exception subroutine.

If a program ends with LR off, the initialization subroutine does not automatically run during the next invocation of that program because the subroutine is part of the initialization step of the program. However, if the initialization subroutine does not complete before an exit is made from the program with LR off, the initialization subroutine will be re-run at the next invocation of that program.

The initialization subroutine is like any other subroutine in the program, other than being called at program initialization time. It may be called using the EXSR or CASxx operations, and it may call other subroutines or other programs. Any operation that is valid in a subroutine is valid in the initialization subroutine, with the exception of the RESET operation. This is because the value used to reset a variable is not defined until after the initialization subroutine is run.

Any changes made to a variable during the initialization subroutine affect the value that the variable is set to on a subsequent RESET operation. Default values can be defined for fields in record formats by, for example, setting them in the initialization subroutine and then using RESET against the record format whenever the default values are to be used. The initialization subroutine can also retrieve information such as the current time for 1P output.

There is no \*INZSR associated with subprocedures. If a subprocedure is the first procedure called in a module, the \*INZSR of the main procedure will not be run, although other initialization of global data will be done. The \*INZSR of the main procedure will be run when the main procedure is called.

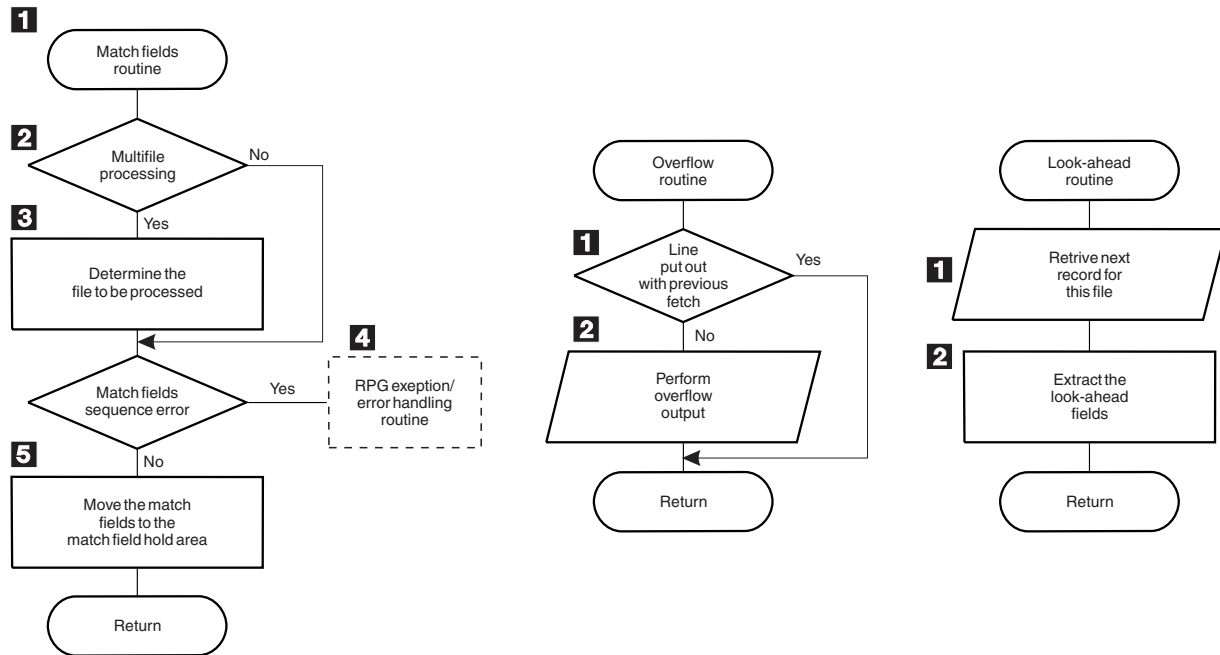


Figure 7. Detail Flow of RPG IV Match Fields, Overflow, and Lookahead Routines

### Match Fields Routine

Figure 7 shows the specific steps in the RPG IV match fields routine. The item numbers in the following descriptions refer to the numbers in the figure.

- 1** If multifile processing is being used, processing continues with step 2; otherwise, the program branches to step 3.
- 2** The value of the match fields in the hold area is tested to determine which file is to be processed next.
- 3** The RPG IV program extracts the match fields from the match files and processes sequence checking. If the match fields are in sequence, the program branches to step 5.
- 4** If the match fields are not in sequence, the RPG IV exception/error handling routine receives control.
- 5** The match fields are moved to the hold area for that file. A hold area is provided for each file that has match fields. The next record is selected for processing based on the value in the match fields.

### Overflow Routine

Figure 7 shows the specific steps in the RPG IV overflow routine. The item numbers in the following descriptions refer to the numbers in the figure.

- 1** The RPG IV program determines whether the overflow lines were written previously using the fetch overflow logic (step 30 in Figure 6 on page 23). If the overflow lines were written previously, the program branches to the specified return point; otherwise, processing continues with step 2.
- 2** All output lines conditioned with an overflow indicator are tested and written to the conditioned overflow lines.

The fetch overflow routine allows you to alter the basic RPG IV overflow logic to prevent printing over the perforation and to let you use as much of the page as possible. During the regular program cycle, the RPG IV program checks only once,

## Detailed RPG IV Program Cycle

immediately after total output, to see if the overflow indicator is on. When the fetch overflow function is specified, the RPG IV program checks overflow on each line for which fetch overflow is specified.

Specify fetch overflow with an F in position 18 of the output specifications on any detail, total, or exception lines for a PRINTER file. The fetch overflow routine does not automatically cause forms to advance to the next page.

During output, the conditioning indicators on an output line are tested to determine whether the line is to be written. If the line is to be written and an F is specified in position 18, the RPG IV program tests to determine whether the overflow indicator is on. If the overflow indicator is on, the overflow routine is fetched and the following operations occur:

- Only the overflow lines for the file with the fetch specified are checked for output.
- All total lines conditioned by the overflow indicator are written.
- Forms advance to a new page when a skip to a line number less than the line number the printer is currently on is specified in a line conditioned by an overflow indicator.
- Heading, detail, and exception lines conditioned by the overflow indicator are written.
- The line that fetched the overflow routine is written.
- Any detail and total lines left to be written for that program cycle are written.

Position 18 of each OR line must contain an F if the overflow routine is to be used for each record in the OR relationship. Fetch overflow cannot be used if an overflow indicator is specified in positions 21 through 29 of the same specification line. If this occurs, the overflow routine is not fetched.

Use the fetch overflow routine when there is not enough space left on the page to print the remaining detail, total, exception, and heading lines conditioned by the overflow indicator. To determine when to fetch the overflow routine, study all possible overflow situations. By counting lines and spaces, you can calculate what happens if overflow occurs on each detail, total, and exception line.

### Lookahead Routine

Figure 7 on page 29 shows the specific steps in the RPG IV lookahead routine. The item numbers in the following descriptions refer to the numbers in the figure.

- 1** The next record for the file being processed is read. However, if the file is a combined or update file (identified by a C or U, respectively, in position 17 of the file description specifications), the lookahead fields from the current record being processed is extracted.
- 2** The lookahead fields are extracted.

## Ending a Program without a Primary File

If your program does not contain a primary file, you *must* specify a way for the program to end:

- By setting the LR indicator on
- By setting the RT indicator on
- By setting an H1 through H9 indicator on
- By specifying the RETURN operation code

The LR, RT, H1 through H9 indicators, and the RETURN operation code, can be used in conjunction with each other.

### Program Control of File Processing

Specify a full procedural file (F in position 18 of the file description specifications) to control all or partial input of a program. A full procedural file indicates that *input* is controlled by program-specified calculation operations (for example, READ, CHAIN). When both full procedural files and a primary file (P in position 18 of the file description specifications) are specified in a program, some of the input is controlled by the program, and other input is controlled by the cycle. The program cycle exists when a full procedural file is specified; however, file processing occurs at detail or total calculation time for the full procedural file.

The file operation codes can be used for program control of input. These file operation codes are discussed in "File Operations" on page 416.

## Detailed RPG IV Program Cycle

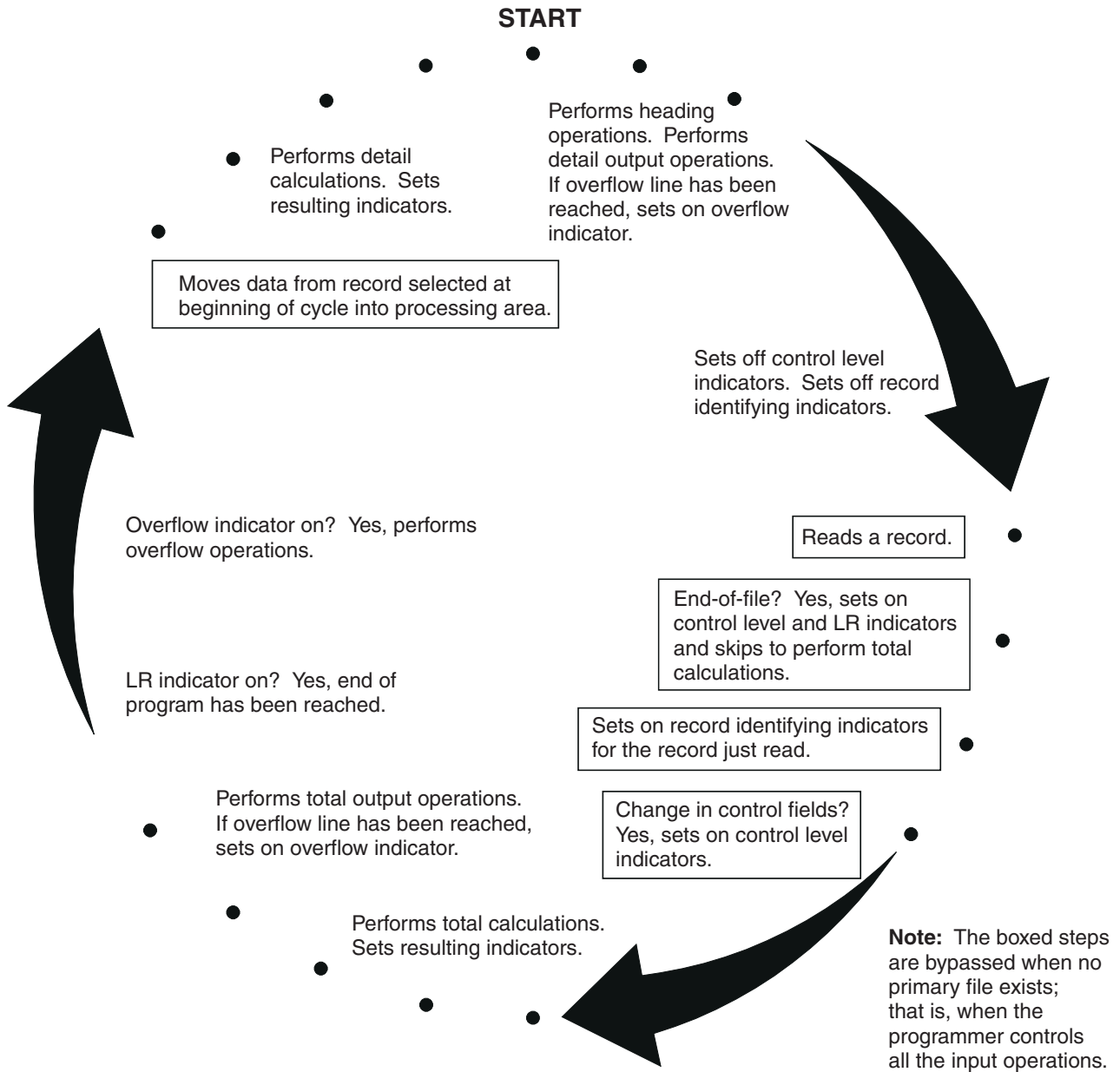


Figure 8. Programmer Control of Input Operation within the Program-Cycle

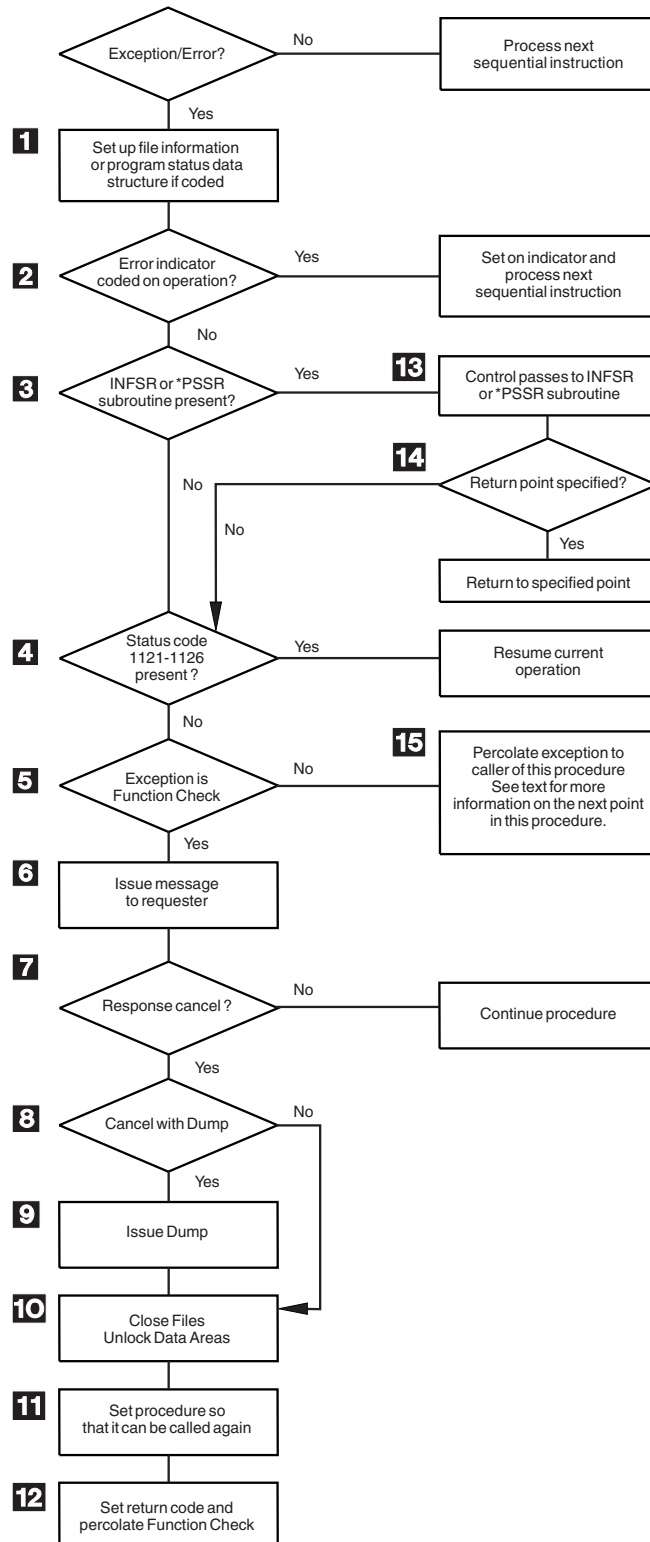


Figure 9. Detail Flow of RPG IV Exception/Error Handling Routine

### RPG IV Exception/Error Handling Routine

Figure 9 shows the specific steps in the RPG IV exception/error handling routine. The item numbers in the following description refer to the numbers in the figure.

## Detailed RPG IV Program Cycle

- 1** Set up the file information or procedure status data structure, if specified, with status information.
- 2** If the exception/error occurred on an operation code that has an indicator specified in positions 73 and 74, the indicator is set on, and control returns to the next sequential instruction in the calculations.
- 3** If the appropriate exception/error subroutine (INFSR or \*PSSR) is present in the procedure, the procedure branches to step 13; otherwise, the procedure continues with step 4.
- 4** If the Status code is 1121-1126 (see “File Status Codes” on page 77), control returns to the current instruction in the calculations. If not, the procedure continues with step 5.
- 5** If the exception is a function check, the procedure continues with step 6. If not, it branches to step 15.
- 6** An inquiry message is issued to the requester. For an interactive job, the message goes to the requester. For a batch job, the message goes to QSYSOPR. If QSYSOPR is not in break mode, a default response is issued.
- 7** If the user’s response is to cancel the procedure, the procedure continues with step 8. If not, the procedure continues.
- 8** If the user’s response is to cancel with a dump, the procedure continues with step 9. If not, the procedure branches to step 10.
- 9** A dump is issued.
- 10** All files are closed and data areas are unlocked
- 11** The procedure is set so that it can be called again.
- 12** The return code is set and the function check is percolated.
- 13** Control passes to the exception/error subroutine (INFSR or \*PSSR).
- 14** If a return point is specified in factor 2 of the ENDSR operation for the exception/error subroutine, the procedure goes to the specified return point. If a return point is not specified, the procedure goes to step 4. If a field name is specified in factor 2 of the ENDSR operation and the content is not one of the RPG IV-defined return points (such as \*GETIN or \*DETC), the procedure goes to step 6. No error is indicated, and the original error is handled as though the factor 2 entry were blank.
- 15** If no invocation handles the exception, then it is promoted to function check and the procedure branches to step 5. Otherwise, depending on the action taken by the handler, control resumes in this procedure either at step 10 or at the next machine instruction after the point at which the exception occurred.



---

## Chapter 4. RPG IV Indicators

An indicator is a one byte character field which contains either '1' (on) or '0' (off). It is generally used to indicate the result of an operation or to condition (control) the processing of an operation.

The indicator format can be specified on the definition specifications to define indicator variables. For a description of how to define character data in the indicator format, see "Character Format" on page 172 and "Position 40 (Internal Data Type)" on page 296. This chapter describes a special set of predefined RPG IV indicators (\*INxx).

RPG IV indicators are defined either by an entry on a specification or by the RPG IV program itself. The positions on the specification in which you define the indicator determine how the indicator is used. An indicator that has been defined can then be used to condition calculation and output operations.

The RPG IV program sets and resets certain indicators at specific times during the program cycle. In addition, the state of most indicators can be changed by calculation operations. All indicators except MR, 1P, KA through KN, and KP through KY can be set on with the SETON operation code; all indicators except MR and 1P can be set off with the SETOFF operation code.

This chapter is divided into the following topics:

- Indicators defined on the RPG IV specifications
- Indicators not defined on the RPG IV specifications
- Using indicators
- Indicators referred to as data.

---

### Indicators Defined on RPG IV Specifications

You can specify the following indicators on the RPG IV specifications:

- Overflow indicator (the OFLIND keyword on the file description specifications).
- Record identifying indicator (positions 21 and 22 of the input specifications).
- Control level indicator (positions 63 and 64 of the input specifications).
- Field indicator (positions 69 through 74 of the input specifications).
- Resulting indicator (positions 71 through 76 of the calculation specifications).
- \*IN array, \*IN(xx) array element or \*INxx field (See "Indicators Referred to As Data" on page 60 for a description of how an indicator is defined when used with one of these reserved words.).

The defined indicator can then be used to condition operations in the program.

### Overflow Indicators

An overflow indicator is defined by the OFLIND keyword on the file description specifications. It is set on when the last line on a page has been printed or passed. Valid indicators are \*INOA through \*INOG, \*INOV, and \*IN01 through \*IN99. A defined overflow indicator can then be used to condition calculation and output operations. A description of the overflow indicator and fetch overflow logic is given in "Overflow Routine" on page 29.

### Record Identifying Indicators

A record identifying indicator is defined by an entry in positions 21 and 22 of the input specifications and is set on when the corresponding record type is selected for processing. That indicator can then be used to condition certain calculation and output operations. Record identifying indicators do not have to be assigned in any particular order.

The valid record identifying indicators are:

- 01-99
- H1-H9
- L1-L9
- LR
- U1-U8
- RT

For an externally described file, a record identifying indicator is optional, but, if you specify it, it follows the same rules as for a program described file.

Generally, the indicators 01 through 99 are used as record identifying indicators. However, the control level indicators (L1 through L9) and the last record indicator (LR) can be used. If L1 through L9 are specified as record identifying indicators, lower level indicators are not set on.

When you select a record type for processing, the corresponding record identifying indicator is set on. All other record identifying indicators are off except when a file operation code is used at detail and total calculation time to retrieve records from a file (see below). The record identifying indicator is set on after the record is selected, but before the input fields are moved to the input area. The record identifying indicator for the new record is on during total time for the old record; therefore, calculations processed at total time using the fields of the old record cannot be conditioned by the record identifying indicator of the old record. You can set the indicators off at any time in the program cycle; they are set off before the next primary or secondary record is selected.

If you use a file operation code on the calculation specifications to retrieve a record, the record identifying indicator is set on as soon as the record is retrieved from the file. The record identifying indicator is not set off until the appropriate point in the RPG IV cycle. (See Figure 8 on page 32.) Therefore, it is possible to have several record identifying indicators for the same file, as well as record-not-found indicators, set on concurrently if several operations are issued to the same file within the same RPG IV program cycle.

### Rules for Assigning Record Identifying Indicators

When you assign record identifying indicators to records in a program described file, remember the following:

- You can assign the same indicator to two or more different record types if the same operation is to be processed on all record types. To do this, you specify the record identifying indicator in positions 21 and 22, and specify the record identification codes for the various record types in an OR relationship.
- You can associate a record identifying indicator with an AND relationship, but it must appear on the first line of the group. Record identifying indicators cannot be specified on AND lines.

## Indicators Defined on RPG IV Specifications

- An undefined record (a record in a program described file that was not described by a record identification code in positions 23 through 46) causes the program to halt.
- A record identifying indicator can be specified as a record identifying indicator for another record type, as a field indicator, or as a resulting indicator. No diagnostic message is issued, but this use of indicators may cause erroneous results.

When you assign record identifying indicators to records in an externally described file, remember the following:

- AND/OR relationships cannot be used with record format names; however, the same record identifying indicator can be assigned to more than one record.
- The record format name, rather than the file name, must be specified in positions 7 through 16.

For an example of record identifying indicators, see Figure 10.

```

*...1....+...2....+...3....+...4....+...5....+...6....+...7...
IFilename++SqNORiPos1+NCCPos2+NCCPos3+NCC.....
I.....Fmt+SPFrom+To+++DcField+++++++L1M1FrP1MnZr....
*
I*Record identifying indicator 01 is set on if the record read
I*contains an S in position 1 or an A in position 1.
IINPUT1 NS 01 1 CS
I OR 1 CA
I 1 25 FLD1
* Record identifying indicator 02 is set on if the record read
* contains XYZA in positions 1 through 4.
I NS 02 1 CX 2 CY 3 CZ
I AND 4 CA
I 1 15 FLDA
I 16 20 FLDB
* Record identifying indicator 95 is set on if any record read
* does not meet the requirements for record identifying indicators
* 01 or 02.
I NS 95
*...1....+...2....+...3....+...4....+...5....+...6....+...7...
IRcdname+++...Ri.....
*
* For an externally described file, record identifying indicator 10
* is set on if the ITMREC record is read and record identifying
* indicator 20 is set on if the SLSREC or COMREC records are read.
IITMREC 10
ISLSREC 20
ICOMREC 20

```

Figure 10. Examples of Record Identifying Indicators

## Control Level Indicators (L1-L9)

A control level indicator is defined by an entry in positions 63 and 64 of the input specifications, designating an input field as a control field. It can then be used to condition calculation and output operations. The valid control level indicator entries are L1 through L9.

A control level indicator designates an input field as a control field. When a control field is read, the data in the control field is compared with the data in the same control field from the previous record. If the data differs, a control break occurs, and the control level indicator assigned to the control field is set on. You can then use control level indicators to condition operations that are to be processed only

## Indicators Defined on RPG IV Specifications

when all records with the same information in the control field have been read. Because the indicators stay on for both total time and the first detail time, they can also be used to condition total printing (last record of a control group) or detail printing (first record in a control group). Control level indicators are set off before the next record is read.

A control break can occur after the first record containing a control field is read. The control fields in this record are compared to an area in storage that contains hexadecimal zeros. Because fields from two different records are not being compared, total calculations and total output operations are bypassed for this cycle.

Control level indicators are ranked in order of importance with L1 being the lowest and L9 the highest. All lower level indicators are set on when a higher level indicator is set on as the result of a control break. However, the lower level indicators can be used in the program only if they have been defined. For example, if L8 is set on by a control break, L1 through L7 are also set on. The LR (last record) indicator is set on when the input files are at end of file. LR is considered the highest level indicator and forces L1 through L9 to be set on.

You can also define control level indicators as record identifying or resulting indicators. When you use them in this manner, the status of the lower level indicators is not changed when a higher level indicator is set on. For example, if L3 is used as a resulting indicator, the status of L2 and L1 would not change if L3 is set on.

The importance of a control field in relation to other fields determines how you assign control level indicators. For example, data that demands a subtotal should have a lower control level indicator than data that needs a final total. A control field containing department numbers should have a higher control level indicator than a control field containing employee numbers if employees are to be grouped within departments (see Figure 11 on page 40).

### Rules for Control Level Indicators

When you assign control level indicators, remember the following:

- You can specify control fields only for primary or secondary files.
- You cannot specify control fields for full procedural files; numeric input fields of type binary, integer, unsigned or float; or look-ahead fields.
- You cannot use control level indicators when an array name is specified in positions 49 through 62 of the input specifications; however, you can use control level indicators with an array element. Control level indicators are not allowed for null-capable fields.
- Control level compare operations are processed for records in the order in which they are found, regardless of the file from which they come.
- If you use the same control level indicator in different record types or in different files, the control fields associated with that control level indicator must be the same length (see Figure 11 on page 40) except for date, time, and timestamp fields which need only match in type (that is, they can be different formats).
- The control level indicator field length is the length of a control level indicator in a record. For example, if L1 has a field length of 10 bytes in a record, the control level indicator field length for L1 is 10 positions.

The control level indicator field length for split control fields is the sum of the lengths of all fields associated with a control level indicator in a record. If L2 has

## Indicators Defined on RPG IV Specifications

a split control field consisting of 3 fields of length: 12 bytes, 2 bytes and 4 bytes; then the control level indicator field length for L2 is 18 positions.

If multiple records use the same control level indicator, then the control level indicator field length is the length of only one record, not the sum of all the lengths of the records.

Within a program, the sum of the control level indicator field lengths of all control level indicators cannot exceed 256 positions.

- Record positions in control fields assigned different control level indicators can overlap in the same record type (see Figure 12 on page 40). For record types that require control or match fields, the total length of the control or match field must be less than or equal to 256. For example, in Figure 12 on page 40, 15 positions have been assigned to control levels.
- Field names are ignored in control level operations. Therefore, fields from different record types that have been assigned the same control level indicator can have the same name.
- Control levels need not be written in any sequence. An L2 entry can appear before L1. All lower level indicators need not be assigned.
- If different record types in a file do not have the same number of control fields, unwanted control breaks can occur.

Figure 13 on page 41 shows an example of how to avoid unwanted control breaks.

## Indicators Defined on RPG IV Specifications

```

*...1....+...2....+...3....+...4....+...5....+...6....+...7...
A* EMPLOYEE MASTER FILE -- EMPMSTL
A R EMPREC PFILE(EMPMSTL)
A EMPLNO 6
A DEPT 3
A DIVSON 1
A*
A* (ADDITIONAL FIELDS)
A*
A R EMPTIM PFILE(EMPMSTP)
A EMPLNO 6
A DEPT 3
A DIVSON 1
A*
A* (ADDITIONAL FIELDS)
*...1....+...2....+...3....+...4....+...5....+...6....+...7...
IFilename++SqNORiPos1+NCCPos2+NCCPos3+NCC.....
I.....Fmt+SPFrom+To+++DcField+++++++L1M1FrP1MnZr....
*
* In this example, control level indicators are defined for three
* fields. The names of the control fields (DIVSON, DEPT, EMPLNO)
* give an indication of their relative importance.
* The division (DIVSON) is the most important group.
* It is given the highest control level indicator used (L3).
* The department (DEPT) ranks below the division;
* L2 is assigned to it. The employee field (EMPLNO) has
* the lowest control level indicator (L1) assigned to it.
*
IEMPREC 10
I EMPLNO L1
I DIVSON L3
I DEPT L2
*
* The same control level indicators can be used for different record
* types. However, the control fields having the same indicators must
* be the same length. For records in an externally described file,
* the field attributes are defined in the external description.
*
IEMPTIM 20
I EMPLNO L1
I DEPT L2
I DIVSON L3

```

Figure 11. Control Level Indicators (Two Record Types)

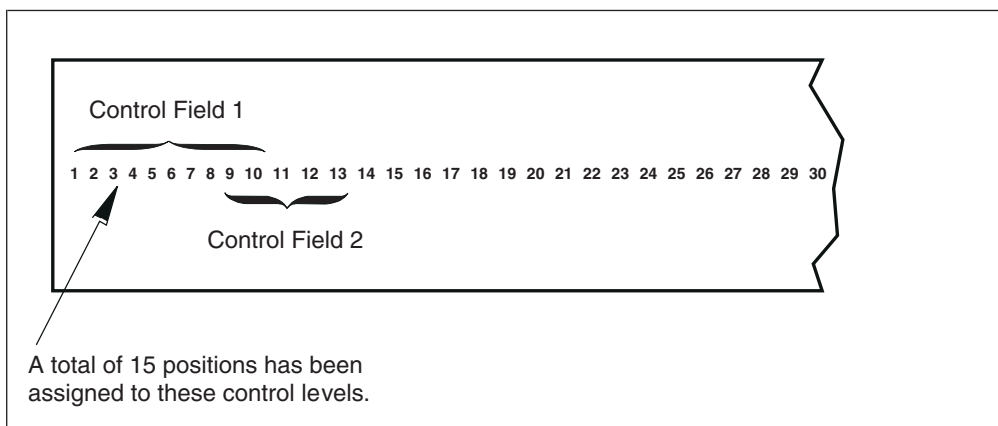


Figure 12. Overlapping Control Fields

## Indicators Defined on RPG IV Specifications

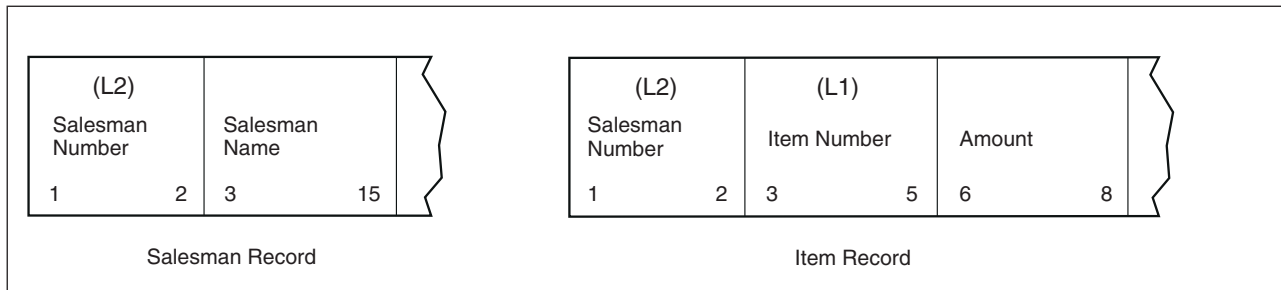


Figure 13. How to Avoid Unwanted Control Breaks (Part 1 of 4)

```

*...1....+...2....+...3....+...4....+...5....+...6....+...7...
IFilename++SqNORiPos1+NCCPos2+NCCPos3+NCC.....
I.....Fmt+SPFrom+To+++DcField+++++++L1M1FrP1MnZr....
ISALES 01
I 1 2 L2FLD L2
I 3 15 NAME
IITEM 02
I 1 2 L2FLD L2
I 3 5 L1FLD L1
I 6 8 AMT
CL0N01Factor1+++++Opcode(E)+Factor2+++++Result+++++Len++D+HiLoEq..
* Indicator 11 is set on when the salesman record is read.
*
C 01 SETON 11
*
* Indicator 11 is set off when the item record is read.
* This allows the normal L1 control break to occur.
*
C 02 SETOFF 11
C 02AMT ADD L1TOT L1TOT 5 0
CL1 L1TOT ADD L2TOT L2TOT 5 0
CL2 L2TOT ADD LRTOT LRTOT 5 0
*

```

Figure 13. How to Avoid Unwanted Control Breaks (Part 2 of 4)

## Indicators Defined on RPG IV Specifications

```

*...1....+....2....+....3....+....4....+....5....+....6....+....7...
OFilename++DF..N01N02N03Excnam++++B++A++Sb+Sa+.....
O.....N01N02N03Field+++++++YB.End++PConstant/editword/DTformat
OPRINTER D 01 1 1
0
0 L2FLD 5
0 NAME 25
0 D 02 1
0 L1FLD 15
0 AMT Z 15
*
* When the next item record causes an L1 control break, no total
* output is printed if indicator 11 is on. Detail calculations
* are then processed for the item record.
*
OFilename++DF..N01N02N03Excnam++++B++A++Sb+Sa+.....
O.....N01N02N03Field+++++++YB.End++PConstant/editword/DTformat
0 T L1N11 1
0 L1TOT ZB 25
0 27 '*'
0 T L2 1
0 L2TOT ZB 25
0 28 '**'
0 T LR 1
0 LRTOT ZB 25

```

Figure 13. How to Avoid Unwanted Control Breaks (Part 3 of 4)

|                                                                                                                                                                                                                                                                                                                                                                                                                                                                                                                                                                                                                                                                                                                                                                                                                                                                                                                                                                                                                                                                                                                                                                                                                                                                                                                                                                       |            |            |    |                              |                              |  |     |   |  |  |  |     |   |  |  |  |  |   |   |  |  |     |   |  |  |  |  |   |   |  |  |  |   |    |  |  |  |  |  |  |    |          |  |   |                              |  |     |   |  |  |  |     |   |  |  |  |  |   |   |  |  |     |   |  |  |  |  |   |   |  |  |  |    |    |  |  |  |    |  |  |                                                                                                                                                                                                                                                                                                                                                                                                                                                                                                                                                                                                                                                                                                                                                                                                                                                                                                                                                                                                                                                                                                    |    |            |  |  |  |     |   |  |  |     |   |  |  |  |   |   |  |     |   |  |  |  |   |   |  |  |   |    |  |  |  |  |    |          |  |  |  |     |   |  |  |     |   |  |  |  |   |   |  |     |   |  |  |  |   |   |  |  |    |    |  |  |    |  |
|-----------------------------------------------------------------------------------------------------------------------------------------------------------------------------------------------------------------------------------------------------------------------------------------------------------------------------------------------------------------------------------------------------------------------------------------------------------------------------------------------------------------------------------------------------------------------------------------------------------------------------------------------------------------------------------------------------------------------------------------------------------------------------------------------------------------------------------------------------------------------------------------------------------------------------------------------------------------------------------------------------------------------------------------------------------------------------------------------------------------------------------------------------------------------------------------------------------------------------------------------------------------------------------------------------------------------------------------------------------------------|------------|------------|----|------------------------------|------------------------------|--|-----|---|--|--|--|-----|---|--|--|--|--|---|---|--|--|-----|---|--|--|--|--|---|---|--|--|--|---|----|--|--|--|--|--|--|----|----------|--|---|------------------------------|--|-----|---|--|--|--|-----|---|--|--|--|--|---|---|--|--|-----|---|--|--|--|--|---|---|--|--|--|----|----|--|--|--|----|--|--|----------------------------------------------------------------------------------------------------------------------------------------------------------------------------------------------------------------------------------------------------------------------------------------------------------------------------------------------------------------------------------------------------------------------------------------------------------------------------------------------------------------------------------------------------------------------------------------------------------------------------------------------------------------------------------------------------------------------------------------------------------------------------------------------------------------------------------------------------------------------------------------------------------------------------------------------------------------------------------------------------------------------------------------------------------------------------------------------------|----|------------|--|--|--|-----|---|--|--|-----|---|--|--|--|---|---|--|-----|---|--|--|--|---|---|--|--|---|----|--|--|--|--|----|----------|--|--|--|-----|---|--|--|-----|---|--|--|--|---|---|--|-----|---|--|--|--|---|---|--|--|----|----|--|--|----|--|
| <table style="width: 100%; border-collapse: collapse;"> <tr> <td style="width: 10%;">01</td> <td style="width: 60%;">JOHN SMITH</td> <td style="width: 10%;"></td> <td style="width: 20%;">*</td> <td style="width: 10%;">Unwanted<br/>control<br/>break</td> </tr> <tr> <td></td> <td>100</td> <td>3</td> <td></td> <td></td> </tr> <tr> <td></td> <td>100</td> <td>2</td> <td></td> <td></td> </tr> <tr> <td></td> <td></td> <td>5</td> <td>*</td> <td></td> </tr> <tr> <td></td> <td>101</td> <td>4</td> <td></td> <td></td> </tr> <tr> <td></td> <td></td> <td>4</td> <td>*</td> <td></td> </tr> <tr> <td></td> <td></td> <td>9</td> <td>**</td> <td></td> </tr> <tr> <td colspan="5"> </td> </tr> <tr> <td>02</td> <td>JANE DOE</td> <td></td> <td>*</td> <td>Unwanted<br/>control<br/>break</td> </tr> <tr> <td></td> <td>100</td> <td>6</td> <td></td> <td></td> </tr> <tr> <td></td> <td>100</td> <td>2</td> <td></td> <td></td> </tr> <tr> <td></td> <td></td> <td>8</td> <td>*</td> <td></td> </tr> <tr> <td></td> <td>101</td> <td>3</td> <td></td> <td></td> </tr> <tr> <td></td> <td></td> <td>3</td> <td>*</td> <td></td> </tr> <tr> <td></td> <td></td> <td>11</td> <td>**</td> <td></td> </tr> <tr> <td></td> <td></td> <td>20</td> <td></td> <td></td> </tr> </table> <p style="text-align: center;">Output Showing Unwanted Control Level Break</p> | 01         | JOHN SMITH |    | *                            | Unwanted<br>control<br>break |  | 100 | 3 |  |  |  | 100 | 2 |  |  |  |  | 5 | * |  |  | 101 | 4 |  |  |  |  | 4 | * |  |  |  | 9 | ** |  |  |  |  |  |  | 02 | JANE DOE |  | * | Unwanted<br>control<br>break |  | 100 | 6 |  |  |  | 100 | 2 |  |  |  |  | 8 | * |  |  | 101 | 3 |  |  |  |  | 3 | * |  |  |  | 11 | ** |  |  |  | 20 |  |  | <table style="width: 100%; border-collapse: collapse;"> <tr> <td style="width: 10%;">01</td> <td style="width: 60%;">JOHN SMITH</td> <td style="width: 10%;"></td> <td style="width: 20%;"></td> </tr> <tr> <td></td> <td>100</td> <td>3</td> <td></td> </tr> <tr> <td></td> <td>100</td> <td>2</td> <td></td> </tr> <tr> <td></td> <td></td> <td>5</td> <td>*</td> </tr> <tr> <td></td> <td>101</td> <td>4</td> <td></td> </tr> <tr> <td></td> <td></td> <td>4</td> <td>*</td> </tr> <tr> <td></td> <td></td> <td>9</td> <td>**</td> </tr> <tr> <td colspan="4"> </td> </tr> <tr> <td>02</td> <td>JANE DOE</td> <td></td> <td></td> </tr> <tr> <td></td> <td>100</td> <td>6</td> <td></td> </tr> <tr> <td></td> <td>100</td> <td>2</td> <td></td> </tr> <tr> <td></td> <td></td> <td>8</td> <td>*</td> </tr> <tr> <td></td> <td>101</td> <td>3</td> <td></td> </tr> <tr> <td></td> <td></td> <td>3</td> <td>*</td> </tr> <tr> <td></td> <td></td> <td>11</td> <td>**</td> </tr> <tr> <td></td> <td></td> <td>20</td> <td></td> </tr> </table> <p style="text-align: center;">Corrected Output</p> | 01 | JOHN SMITH |  |  |  | 100 | 3 |  |  | 100 | 2 |  |  |  | 5 | * |  | 101 | 4 |  |  |  | 4 | * |  |  | 9 | ** |  |  |  |  | 02 | JANE DOE |  |  |  | 100 | 6 |  |  | 100 | 2 |  |  |  | 8 | * |  | 101 | 3 |  |  |  | 3 | * |  |  | 11 | ** |  |  | 20 |  |
| 01                                                                                                                                                                                                                                                                                                                                                                                                                                                                                                                                                                                                                                                                                                                                                                                                                                                                                                                                                                                                                                                                                                                                                                                                                                                                                                                                                                    | JOHN SMITH |            | *  | Unwanted<br>control<br>break |                              |  |     |   |  |  |  |     |   |  |  |  |  |   |   |  |  |     |   |  |  |  |  |   |   |  |  |  |   |    |  |  |  |  |  |  |    |          |  |   |                              |  |     |   |  |  |  |     |   |  |  |  |  |   |   |  |  |     |   |  |  |  |  |   |   |  |  |  |    |    |  |  |  |    |  |  |                                                                                                                                                                                                                                                                                                                                                                                                                                                                                                                                                                                                                                                                                                                                                                                                                                                                                                                                                                                                                                                                                                    |    |            |  |  |  |     |   |  |  |     |   |  |  |  |   |   |  |     |   |  |  |  |   |   |  |  |   |    |  |  |  |  |    |          |  |  |  |     |   |  |  |     |   |  |  |  |   |   |  |     |   |  |  |  |   |   |  |  |    |    |  |  |    |  |
|                                                                                                                                                                                                                                                                                                                                                                                                                                                                                                                                                                                                                                                                                                                                                                                                                                                                                                                                                                                                                                                                                                                                                                                                                                                                                                                                                                       | 100        | 3          |    |                              |                              |  |     |   |  |  |  |     |   |  |  |  |  |   |   |  |  |     |   |  |  |  |  |   |   |  |  |  |   |    |  |  |  |  |  |  |    |          |  |   |                              |  |     |   |  |  |  |     |   |  |  |  |  |   |   |  |  |     |   |  |  |  |  |   |   |  |  |  |    |    |  |  |  |    |  |  |                                                                                                                                                                                                                                                                                                                                                                                                                                                                                                                                                                                                                                                                                                                                                                                                                                                                                                                                                                                                                                                                                                    |    |            |  |  |  |     |   |  |  |     |   |  |  |  |   |   |  |     |   |  |  |  |   |   |  |  |   |    |  |  |  |  |    |          |  |  |  |     |   |  |  |     |   |  |  |  |   |   |  |     |   |  |  |  |   |   |  |  |    |    |  |  |    |  |
|                                                                                                                                                                                                                                                                                                                                                                                                                                                                                                                                                                                                                                                                                                                                                                                                                                                                                                                                                                                                                                                                                                                                                                                                                                                                                                                                                                       | 100        | 2          |    |                              |                              |  |     |   |  |  |  |     |   |  |  |  |  |   |   |  |  |     |   |  |  |  |  |   |   |  |  |  |   |    |  |  |  |  |  |  |    |          |  |   |                              |  |     |   |  |  |  |     |   |  |  |  |  |   |   |  |  |     |   |  |  |  |  |   |   |  |  |  |    |    |  |  |  |    |  |  |                                                                                                                                                                                                                                                                                                                                                                                                                                                                                                                                                                                                                                                                                                                                                                                                                                                                                                                                                                                                                                                                                                    |    |            |  |  |  |     |   |  |  |     |   |  |  |  |   |   |  |     |   |  |  |  |   |   |  |  |   |    |  |  |  |  |    |          |  |  |  |     |   |  |  |     |   |  |  |  |   |   |  |     |   |  |  |  |   |   |  |  |    |    |  |  |    |  |
|                                                                                                                                                                                                                                                                                                                                                                                                                                                                                                                                                                                                                                                                                                                                                                                                                                                                                                                                                                                                                                                                                                                                                                                                                                                                                                                                                                       |            | 5          | *  |                              |                              |  |     |   |  |  |  |     |   |  |  |  |  |   |   |  |  |     |   |  |  |  |  |   |   |  |  |  |   |    |  |  |  |  |  |  |    |          |  |   |                              |  |     |   |  |  |  |     |   |  |  |  |  |   |   |  |  |     |   |  |  |  |  |   |   |  |  |  |    |    |  |  |  |    |  |  |                                                                                                                                                                                                                                                                                                                                                                                                                                                                                                                                                                                                                                                                                                                                                                                                                                                                                                                                                                                                                                                                                                    |    |            |  |  |  |     |   |  |  |     |   |  |  |  |   |   |  |     |   |  |  |  |   |   |  |  |   |    |  |  |  |  |    |          |  |  |  |     |   |  |  |     |   |  |  |  |   |   |  |     |   |  |  |  |   |   |  |  |    |    |  |  |    |  |
|                                                                                                                                                                                                                                                                                                                                                                                                                                                                                                                                                                                                                                                                                                                                                                                                                                                                                                                                                                                                                                                                                                                                                                                                                                                                                                                                                                       | 101        | 4          |    |                              |                              |  |     |   |  |  |  |     |   |  |  |  |  |   |   |  |  |     |   |  |  |  |  |   |   |  |  |  |   |    |  |  |  |  |  |  |    |          |  |   |                              |  |     |   |  |  |  |     |   |  |  |  |  |   |   |  |  |     |   |  |  |  |  |   |   |  |  |  |    |    |  |  |  |    |  |  |                                                                                                                                                                                                                                                                                                                                                                                                                                                                                                                                                                                                                                                                                                                                                                                                                                                                                                                                                                                                                                                                                                    |    |            |  |  |  |     |   |  |  |     |   |  |  |  |   |   |  |     |   |  |  |  |   |   |  |  |   |    |  |  |  |  |    |          |  |  |  |     |   |  |  |     |   |  |  |  |   |   |  |     |   |  |  |  |   |   |  |  |    |    |  |  |    |  |
|                                                                                                                                                                                                                                                                                                                                                                                                                                                                                                                                                                                                                                                                                                                                                                                                                                                                                                                                                                                                                                                                                                                                                                                                                                                                                                                                                                       |            | 4          | *  |                              |                              |  |     |   |  |  |  |     |   |  |  |  |  |   |   |  |  |     |   |  |  |  |  |   |   |  |  |  |   |    |  |  |  |  |  |  |    |          |  |   |                              |  |     |   |  |  |  |     |   |  |  |  |  |   |   |  |  |     |   |  |  |  |  |   |   |  |  |  |    |    |  |  |  |    |  |  |                                                                                                                                                                                                                                                                                                                                                                                                                                                                                                                                                                                                                                                                                                                                                                                                                                                                                                                                                                                                                                                                                                    |    |            |  |  |  |     |   |  |  |     |   |  |  |  |   |   |  |     |   |  |  |  |   |   |  |  |   |    |  |  |  |  |    |          |  |  |  |     |   |  |  |     |   |  |  |  |   |   |  |     |   |  |  |  |   |   |  |  |    |    |  |  |    |  |
|                                                                                                                                                                                                                                                                                                                                                                                                                                                                                                                                                                                                                                                                                                                                                                                                                                                                                                                                                                                                                                                                                                                                                                                                                                                                                                                                                                       |            | 9          | ** |                              |                              |  |     |   |  |  |  |     |   |  |  |  |  |   |   |  |  |     |   |  |  |  |  |   |   |  |  |  |   |    |  |  |  |  |  |  |    |          |  |   |                              |  |     |   |  |  |  |     |   |  |  |  |  |   |   |  |  |     |   |  |  |  |  |   |   |  |  |  |    |    |  |  |  |    |  |  |                                                                                                                                                                                                                                                                                                                                                                                                                                                                                                                                                                                                                                                                                                                                                                                                                                                                                                                                                                                                                                                                                                    |    |            |  |  |  |     |   |  |  |     |   |  |  |  |   |   |  |     |   |  |  |  |   |   |  |  |   |    |  |  |  |  |    |          |  |  |  |     |   |  |  |     |   |  |  |  |   |   |  |     |   |  |  |  |   |   |  |  |    |    |  |  |    |  |
|                                                                                                                                                                                                                                                                                                                                                                                                                                                                                                                                                                                                                                                                                                                                                                                                                                                                                                                                                                                                                                                                                                                                                                                                                                                                                                                                                                       |            |            |    |                              |                              |  |     |   |  |  |  |     |   |  |  |  |  |   |   |  |  |     |   |  |  |  |  |   |   |  |  |  |   |    |  |  |  |  |  |  |    |          |  |   |                              |  |     |   |  |  |  |     |   |  |  |  |  |   |   |  |  |     |   |  |  |  |  |   |   |  |  |  |    |    |  |  |  |    |  |  |                                                                                                                                                                                                                                                                                                                                                                                                                                                                                                                                                                                                                                                                                                                                                                                                                                                                                                                                                                                                                                                                                                    |    |            |  |  |  |     |   |  |  |     |   |  |  |  |   |   |  |     |   |  |  |  |   |   |  |  |   |    |  |  |  |  |    |          |  |  |  |     |   |  |  |     |   |  |  |  |   |   |  |     |   |  |  |  |   |   |  |  |    |    |  |  |    |  |
| 02                                                                                                                                                                                                                                                                                                                                                                                                                                                                                                                                                                                                                                                                                                                                                                                                                                                                                                                                                                                                                                                                                                                                                                                                                                                                                                                                                                    | JANE DOE   |            | *  | Unwanted<br>control<br>break |                              |  |     |   |  |  |  |     |   |  |  |  |  |   |   |  |  |     |   |  |  |  |  |   |   |  |  |  |   |    |  |  |  |  |  |  |    |          |  |   |                              |  |     |   |  |  |  |     |   |  |  |  |  |   |   |  |  |     |   |  |  |  |  |   |   |  |  |  |    |    |  |  |  |    |  |  |                                                                                                                                                                                                                                                                                                                                                                                                                                                                                                                                                                                                                                                                                                                                                                                                                                                                                                                                                                                                                                                                                                    |    |            |  |  |  |     |   |  |  |     |   |  |  |  |   |   |  |     |   |  |  |  |   |   |  |  |   |    |  |  |  |  |    |          |  |  |  |     |   |  |  |     |   |  |  |  |   |   |  |     |   |  |  |  |   |   |  |  |    |    |  |  |    |  |
|                                                                                                                                                                                                                                                                                                                                                                                                                                                                                                                                                                                                                                                                                                                                                                                                                                                                                                                                                                                                                                                                                                                                                                                                                                                                                                                                                                       | 100        | 6          |    |                              |                              |  |     |   |  |  |  |     |   |  |  |  |  |   |   |  |  |     |   |  |  |  |  |   |   |  |  |  |   |    |  |  |  |  |  |  |    |          |  |   |                              |  |     |   |  |  |  |     |   |  |  |  |  |   |   |  |  |     |   |  |  |  |  |   |   |  |  |  |    |    |  |  |  |    |  |  |                                                                                                                                                                                                                                                                                                                                                                                                                                                                                                                                                                                                                                                                                                                                                                                                                                                                                                                                                                                                                                                                                                    |    |            |  |  |  |     |   |  |  |     |   |  |  |  |   |   |  |     |   |  |  |  |   |   |  |  |   |    |  |  |  |  |    |          |  |  |  |     |   |  |  |     |   |  |  |  |   |   |  |     |   |  |  |  |   |   |  |  |    |    |  |  |    |  |
|                                                                                                                                                                                                                                                                                                                                                                                                                                                                                                                                                                                                                                                                                                                                                                                                                                                                                                                                                                                                                                                                                                                                                                                                                                                                                                                                                                       | 100        | 2          |    |                              |                              |  |     |   |  |  |  |     |   |  |  |  |  |   |   |  |  |     |   |  |  |  |  |   |   |  |  |  |   |    |  |  |  |  |  |  |    |          |  |   |                              |  |     |   |  |  |  |     |   |  |  |  |  |   |   |  |  |     |   |  |  |  |  |   |   |  |  |  |    |    |  |  |  |    |  |  |                                                                                                                                                                                                                                                                                                                                                                                                                                                                                                                                                                                                                                                                                                                                                                                                                                                                                                                                                                                                                                                                                                    |    |            |  |  |  |     |   |  |  |     |   |  |  |  |   |   |  |     |   |  |  |  |   |   |  |  |   |    |  |  |  |  |    |          |  |  |  |     |   |  |  |     |   |  |  |  |   |   |  |     |   |  |  |  |   |   |  |  |    |    |  |  |    |  |
|                                                                                                                                                                                                                                                                                                                                                                                                                                                                                                                                                                                                                                                                                                                                                                                                                                                                                                                                                                                                                                                                                                                                                                                                                                                                                                                                                                       |            | 8          | *  |                              |                              |  |     |   |  |  |  |     |   |  |  |  |  |   |   |  |  |     |   |  |  |  |  |   |   |  |  |  |   |    |  |  |  |  |  |  |    |          |  |   |                              |  |     |   |  |  |  |     |   |  |  |  |  |   |   |  |  |     |   |  |  |  |  |   |   |  |  |  |    |    |  |  |  |    |  |  |                                                                                                                                                                                                                                                                                                                                                                                                                                                                                                                                                                                                                                                                                                                                                                                                                                                                                                                                                                                                                                                                                                    |    |            |  |  |  |     |   |  |  |     |   |  |  |  |   |   |  |     |   |  |  |  |   |   |  |  |   |    |  |  |  |  |    |          |  |  |  |     |   |  |  |     |   |  |  |  |   |   |  |     |   |  |  |  |   |   |  |  |    |    |  |  |    |  |
|                                                                                                                                                                                                                                                                                                                                                                                                                                                                                                                                                                                                                                                                                                                                                                                                                                                                                                                                                                                                                                                                                                                                                                                                                                                                                                                                                                       | 101        | 3          |    |                              |                              |  |     |   |  |  |  |     |   |  |  |  |  |   |   |  |  |     |   |  |  |  |  |   |   |  |  |  |   |    |  |  |  |  |  |  |    |          |  |   |                              |  |     |   |  |  |  |     |   |  |  |  |  |   |   |  |  |     |   |  |  |  |  |   |   |  |  |  |    |    |  |  |  |    |  |  |                                                                                                                                                                                                                                                                                                                                                                                                                                                                                                                                                                                                                                                                                                                                                                                                                                                                                                                                                                                                                                                                                                    |    |            |  |  |  |     |   |  |  |     |   |  |  |  |   |   |  |     |   |  |  |  |   |   |  |  |   |    |  |  |  |  |    |          |  |  |  |     |   |  |  |     |   |  |  |  |   |   |  |     |   |  |  |  |   |   |  |  |    |    |  |  |    |  |
|                                                                                                                                                                                                                                                                                                                                                                                                                                                                                                                                                                                                                                                                                                                                                                                                                                                                                                                                                                                                                                                                                                                                                                                                                                                                                                                                                                       |            | 3          | *  |                              |                              |  |     |   |  |  |  |     |   |  |  |  |  |   |   |  |  |     |   |  |  |  |  |   |   |  |  |  |   |    |  |  |  |  |  |  |    |          |  |   |                              |  |     |   |  |  |  |     |   |  |  |  |  |   |   |  |  |     |   |  |  |  |  |   |   |  |  |  |    |    |  |  |  |    |  |  |                                                                                                                                                                                                                                                                                                                                                                                                                                                                                                                                                                                                                                                                                                                                                                                                                                                                                                                                                                                                                                                                                                    |    |            |  |  |  |     |   |  |  |     |   |  |  |  |   |   |  |     |   |  |  |  |   |   |  |  |   |    |  |  |  |  |    |          |  |  |  |     |   |  |  |     |   |  |  |  |   |   |  |     |   |  |  |  |   |   |  |  |    |    |  |  |    |  |
|                                                                                                                                                                                                                                                                                                                                                                                                                                                                                                                                                                                                                                                                                                                                                                                                                                                                                                                                                                                                                                                                                                                                                                                                                                                                                                                                                                       |            | 11         | ** |                              |                              |  |     |   |  |  |  |     |   |  |  |  |  |   |   |  |  |     |   |  |  |  |  |   |   |  |  |  |   |    |  |  |  |  |  |  |    |          |  |   |                              |  |     |   |  |  |  |     |   |  |  |  |  |   |   |  |  |     |   |  |  |  |  |   |   |  |  |  |    |    |  |  |  |    |  |  |                                                                                                                                                                                                                                                                                                                                                                                                                                                                                                                                                                                                                                                                                                                                                                                                                                                                                                                                                                                                                                                                                                    |    |            |  |  |  |     |   |  |  |     |   |  |  |  |   |   |  |     |   |  |  |  |   |   |  |  |   |    |  |  |  |  |    |          |  |  |  |     |   |  |  |     |   |  |  |  |   |   |  |     |   |  |  |  |   |   |  |  |    |    |  |  |    |  |
|                                                                                                                                                                                                                                                                                                                                                                                                                                                                                                                                                                                                                                                                                                                                                                                                                                                                                                                                                                                                                                                                                                                                                                                                                                                                                                                                                                       |            | 20         |    |                              |                              |  |     |   |  |  |  |     |   |  |  |  |  |   |   |  |  |     |   |  |  |  |  |   |   |  |  |  |   |    |  |  |  |  |  |  |    |          |  |   |                              |  |     |   |  |  |  |     |   |  |  |  |  |   |   |  |  |     |   |  |  |  |  |   |   |  |  |  |    |    |  |  |  |    |  |  |                                                                                                                                                                                                                                                                                                                                                                                                                                                                                                                                                                                                                                                                                                                                                                                                                                                                                                                                                                                                                                                                                                    |    |            |  |  |  |     |   |  |  |     |   |  |  |  |   |   |  |     |   |  |  |  |   |   |  |  |   |    |  |  |  |  |    |          |  |  |  |     |   |  |  |     |   |  |  |  |   |   |  |     |   |  |  |  |   |   |  |  |    |    |  |  |    |  |
| 01                                                                                                                                                                                                                                                                                                                                                                                                                                                                                                                                                                                                                                                                                                                                                                                                                                                                                                                                                                                                                                                                                                                                                                                                                                                                                                                                                                    | JOHN SMITH |            |    |                              |                              |  |     |   |  |  |  |     |   |  |  |  |  |   |   |  |  |     |   |  |  |  |  |   |   |  |  |  |   |    |  |  |  |  |  |  |    |          |  |   |                              |  |     |   |  |  |  |     |   |  |  |  |  |   |   |  |  |     |   |  |  |  |  |   |   |  |  |  |    |    |  |  |  |    |  |  |                                                                                                                                                                                                                                                                                                                                                                                                                                                                                                                                                                                                                                                                                                                                                                                                                                                                                                                                                                                                                                                                                                    |    |            |  |  |  |     |   |  |  |     |   |  |  |  |   |   |  |     |   |  |  |  |   |   |  |  |   |    |  |  |  |  |    |          |  |  |  |     |   |  |  |     |   |  |  |  |   |   |  |     |   |  |  |  |   |   |  |  |    |    |  |  |    |  |
|                                                                                                                                                                                                                                                                                                                                                                                                                                                                                                                                                                                                                                                                                                                                                                                                                                                                                                                                                                                                                                                                                                                                                                                                                                                                                                                                                                       | 100        | 3          |    |                              |                              |  |     |   |  |  |  |     |   |  |  |  |  |   |   |  |  |     |   |  |  |  |  |   |   |  |  |  |   |    |  |  |  |  |  |  |    |          |  |   |                              |  |     |   |  |  |  |     |   |  |  |  |  |   |   |  |  |     |   |  |  |  |  |   |   |  |  |  |    |    |  |  |  |    |  |  |                                                                                                                                                                                                                                                                                                                                                                                                                                                                                                                                                                                                                                                                                                                                                                                                                                                                                                                                                                                                                                                                                                    |    |            |  |  |  |     |   |  |  |     |   |  |  |  |   |   |  |     |   |  |  |  |   |   |  |  |   |    |  |  |  |  |    |          |  |  |  |     |   |  |  |     |   |  |  |  |   |   |  |     |   |  |  |  |   |   |  |  |    |    |  |  |    |  |
|                                                                                                                                                                                                                                                                                                                                                                                                                                                                                                                                                                                                                                                                                                                                                                                                                                                                                                                                                                                                                                                                                                                                                                                                                                                                                                                                                                       | 100        | 2          |    |                              |                              |  |     |   |  |  |  |     |   |  |  |  |  |   |   |  |  |     |   |  |  |  |  |   |   |  |  |  |   |    |  |  |  |  |  |  |    |          |  |   |                              |  |     |   |  |  |  |     |   |  |  |  |  |   |   |  |  |     |   |  |  |  |  |   |   |  |  |  |    |    |  |  |  |    |  |  |                                                                                                                                                                                                                                                                                                                                                                                                                                                                                                                                                                                                                                                                                                                                                                                                                                                                                                                                                                                                                                                                                                    |    |            |  |  |  |     |   |  |  |     |   |  |  |  |   |   |  |     |   |  |  |  |   |   |  |  |   |    |  |  |  |  |    |          |  |  |  |     |   |  |  |     |   |  |  |  |   |   |  |     |   |  |  |  |   |   |  |  |    |    |  |  |    |  |
|                                                                                                                                                                                                                                                                                                                                                                                                                                                                                                                                                                                                                                                                                                                                                                                                                                                                                                                                                                                                                                                                                                                                                                                                                                                                                                                                                                       |            | 5          | *  |                              |                              |  |     |   |  |  |  |     |   |  |  |  |  |   |   |  |  |     |   |  |  |  |  |   |   |  |  |  |   |    |  |  |  |  |  |  |    |          |  |   |                              |  |     |   |  |  |  |     |   |  |  |  |  |   |   |  |  |     |   |  |  |  |  |   |   |  |  |  |    |    |  |  |  |    |  |  |                                                                                                                                                                                                                                                                                                                                                                                                                                                                                                                                                                                                                                                                                                                                                                                                                                                                                                                                                                                                                                                                                                    |    |            |  |  |  |     |   |  |  |     |   |  |  |  |   |   |  |     |   |  |  |  |   |   |  |  |   |    |  |  |  |  |    |          |  |  |  |     |   |  |  |     |   |  |  |  |   |   |  |     |   |  |  |  |   |   |  |  |    |    |  |  |    |  |
|                                                                                                                                                                                                                                                                                                                                                                                                                                                                                                                                                                                                                                                                                                                                                                                                                                                                                                                                                                                                                                                                                                                                                                                                                                                                                                                                                                       | 101        | 4          |    |                              |                              |  |     |   |  |  |  |     |   |  |  |  |  |   |   |  |  |     |   |  |  |  |  |   |   |  |  |  |   |    |  |  |  |  |  |  |    |          |  |   |                              |  |     |   |  |  |  |     |   |  |  |  |  |   |   |  |  |     |   |  |  |  |  |   |   |  |  |  |    |    |  |  |  |    |  |  |                                                                                                                                                                                                                                                                                                                                                                                                                                                                                                                                                                                                                                                                                                                                                                                                                                                                                                                                                                                                                                                                                                    |    |            |  |  |  |     |   |  |  |     |   |  |  |  |   |   |  |     |   |  |  |  |   |   |  |  |   |    |  |  |  |  |    |          |  |  |  |     |   |  |  |     |   |  |  |  |   |   |  |     |   |  |  |  |   |   |  |  |    |    |  |  |    |  |
|                                                                                                                                                                                                                                                                                                                                                                                                                                                                                                                                                                                                                                                                                                                                                                                                                                                                                                                                                                                                                                                                                                                                                                                                                                                                                                                                                                       |            | 4          | *  |                              |                              |  |     |   |  |  |  |     |   |  |  |  |  |   |   |  |  |     |   |  |  |  |  |   |   |  |  |  |   |    |  |  |  |  |  |  |    |          |  |   |                              |  |     |   |  |  |  |     |   |  |  |  |  |   |   |  |  |     |   |  |  |  |  |   |   |  |  |  |    |    |  |  |  |    |  |  |                                                                                                                                                                                                                                                                                                                                                                                                                                                                                                                                                                                                                                                                                                                                                                                                                                                                                                                                                                                                                                                                                                    |    |            |  |  |  |     |   |  |  |     |   |  |  |  |   |   |  |     |   |  |  |  |   |   |  |  |   |    |  |  |  |  |    |          |  |  |  |     |   |  |  |     |   |  |  |  |   |   |  |     |   |  |  |  |   |   |  |  |    |    |  |  |    |  |
|                                                                                                                                                                                                                                                                                                                                                                                                                                                                                                                                                                                                                                                                                                                                                                                                                                                                                                                                                                                                                                                                                                                                                                                                                                                                                                                                                                       |            | 9          | ** |                              |                              |  |     |   |  |  |  |     |   |  |  |  |  |   |   |  |  |     |   |  |  |  |  |   |   |  |  |  |   |    |  |  |  |  |  |  |    |          |  |   |                              |  |     |   |  |  |  |     |   |  |  |  |  |   |   |  |  |     |   |  |  |  |  |   |   |  |  |  |    |    |  |  |  |    |  |  |                                                                                                                                                                                                                                                                                                                                                                                                                                                                                                                                                                                                                                                                                                                                                                                                                                                                                                                                                                                                                                                                                                    |    |            |  |  |  |     |   |  |  |     |   |  |  |  |   |   |  |     |   |  |  |  |   |   |  |  |   |    |  |  |  |  |    |          |  |  |  |     |   |  |  |     |   |  |  |  |   |   |  |     |   |  |  |  |   |   |  |  |    |    |  |  |    |  |
|                                                                                                                                                                                                                                                                                                                                                                                                                                                                                                                                                                                                                                                                                                                                                                                                                                                                                                                                                                                                                                                                                                                                                                                                                                                                                                                                                                       |            |            |    |                              |                              |  |     |   |  |  |  |     |   |  |  |  |  |   |   |  |  |     |   |  |  |  |  |   |   |  |  |  |   |    |  |  |  |  |  |  |    |          |  |   |                              |  |     |   |  |  |  |     |   |  |  |  |  |   |   |  |  |     |   |  |  |  |  |   |   |  |  |  |    |    |  |  |  |    |  |  |                                                                                                                                                                                                                                                                                                                                                                                                                                                                                                                                                                                                                                                                                                                                                                                                                                                                                                                                                                                                                                                                                                    |    |            |  |  |  |     |   |  |  |     |   |  |  |  |   |   |  |     |   |  |  |  |   |   |  |  |   |    |  |  |  |  |    |          |  |  |  |     |   |  |  |     |   |  |  |  |   |   |  |     |   |  |  |  |   |   |  |  |    |    |  |  |    |  |
| 02                                                                                                                                                                                                                                                                                                                                                                                                                                                                                                                                                                                                                                                                                                                                                                                                                                                                                                                                                                                                                                                                                                                                                                                                                                                                                                                                                                    | JANE DOE   |            |    |                              |                              |  |     |   |  |  |  |     |   |  |  |  |  |   |   |  |  |     |   |  |  |  |  |   |   |  |  |  |   |    |  |  |  |  |  |  |    |          |  |   |                              |  |     |   |  |  |  |     |   |  |  |  |  |   |   |  |  |     |   |  |  |  |  |   |   |  |  |  |    |    |  |  |  |    |  |  |                                                                                                                                                                                                                                                                                                                                                                                                                                                                                                                                                                                                                                                                                                                                                                                                                                                                                                                                                                                                                                                                                                    |    |            |  |  |  |     |   |  |  |     |   |  |  |  |   |   |  |     |   |  |  |  |   |   |  |  |   |    |  |  |  |  |    |          |  |  |  |     |   |  |  |     |   |  |  |  |   |   |  |     |   |  |  |  |   |   |  |  |    |    |  |  |    |  |
|                                                                                                                                                                                                                                                                                                                                                                                                                                                                                                                                                                                                                                                                                                                                                                                                                                                                                                                                                                                                                                                                                                                                                                                                                                                                                                                                                                       | 100        | 6          |    |                              |                              |  |     |   |  |  |  |     |   |  |  |  |  |   |   |  |  |     |   |  |  |  |  |   |   |  |  |  |   |    |  |  |  |  |  |  |    |          |  |   |                              |  |     |   |  |  |  |     |   |  |  |  |  |   |   |  |  |     |   |  |  |  |  |   |   |  |  |  |    |    |  |  |  |    |  |  |                                                                                                                                                                                                                                                                                                                                                                                                                                                                                                                                                                                                                                                                                                                                                                                                                                                                                                                                                                                                                                                                                                    |    |            |  |  |  |     |   |  |  |     |   |  |  |  |   |   |  |     |   |  |  |  |   |   |  |  |   |    |  |  |  |  |    |          |  |  |  |     |   |  |  |     |   |  |  |  |   |   |  |     |   |  |  |  |   |   |  |  |    |    |  |  |    |  |
|                                                                                                                                                                                                                                                                                                                                                                                                                                                                                                                                                                                                                                                                                                                                                                                                                                                                                                                                                                                                                                                                                                                                                                                                                                                                                                                                                                       | 100        | 2          |    |                              |                              |  |     |   |  |  |  |     |   |  |  |  |  |   |   |  |  |     |   |  |  |  |  |   |   |  |  |  |   |    |  |  |  |  |  |  |    |          |  |   |                              |  |     |   |  |  |  |     |   |  |  |  |  |   |   |  |  |     |   |  |  |  |  |   |   |  |  |  |    |    |  |  |  |    |  |  |                                                                                                                                                                                                                                                                                                                                                                                                                                                                                                                                                                                                                                                                                                                                                                                                                                                                                                                                                                                                                                                                                                    |    |            |  |  |  |     |   |  |  |     |   |  |  |  |   |   |  |     |   |  |  |  |   |   |  |  |   |    |  |  |  |  |    |          |  |  |  |     |   |  |  |     |   |  |  |  |   |   |  |     |   |  |  |  |   |   |  |  |    |    |  |  |    |  |
|                                                                                                                                                                                                                                                                                                                                                                                                                                                                                                                                                                                                                                                                                                                                                                                                                                                                                                                                                                                                                                                                                                                                                                                                                                                                                                                                                                       |            | 8          | *  |                              |                              |  |     |   |  |  |  |     |   |  |  |  |  |   |   |  |  |     |   |  |  |  |  |   |   |  |  |  |   |    |  |  |  |  |  |  |    |          |  |   |                              |  |     |   |  |  |  |     |   |  |  |  |  |   |   |  |  |     |   |  |  |  |  |   |   |  |  |  |    |    |  |  |  |    |  |  |                                                                                                                                                                                                                                                                                                                                                                                                                                                                                                                                                                                                                                                                                                                                                                                                                                                                                                                                                                                                                                                                                                    |    |            |  |  |  |     |   |  |  |     |   |  |  |  |   |   |  |     |   |  |  |  |   |   |  |  |   |    |  |  |  |  |    |          |  |  |  |     |   |  |  |     |   |  |  |  |   |   |  |     |   |  |  |  |   |   |  |  |    |    |  |  |    |  |
|                                                                                                                                                                                                                                                                                                                                                                                                                                                                                                                                                                                                                                                                                                                                                                                                                                                                                                                                                                                                                                                                                                                                                                                                                                                                                                                                                                       | 101        | 3          |    |                              |                              |  |     |   |  |  |  |     |   |  |  |  |  |   |   |  |  |     |   |  |  |  |  |   |   |  |  |  |   |    |  |  |  |  |  |  |    |          |  |   |                              |  |     |   |  |  |  |     |   |  |  |  |  |   |   |  |  |     |   |  |  |  |  |   |   |  |  |  |    |    |  |  |  |    |  |  |                                                                                                                                                                                                                                                                                                                                                                                                                                                                                                                                                                                                                                                                                                                                                                                                                                                                                                                                                                                                                                                                                                    |    |            |  |  |  |     |   |  |  |     |   |  |  |  |   |   |  |     |   |  |  |  |   |   |  |  |   |    |  |  |  |  |    |          |  |  |  |     |   |  |  |     |   |  |  |  |   |   |  |     |   |  |  |  |   |   |  |  |    |    |  |  |    |  |
|                                                                                                                                                                                                                                                                                                                                                                                                                                                                                                                                                                                                                                                                                                                                                                                                                                                                                                                                                                                                                                                                                                                                                                                                                                                                                                                                                                       |            | 3          | *  |                              |                              |  |     |   |  |  |  |     |   |  |  |  |  |   |   |  |  |     |   |  |  |  |  |   |   |  |  |  |   |    |  |  |  |  |  |  |    |          |  |   |                              |  |     |   |  |  |  |     |   |  |  |  |  |   |   |  |  |     |   |  |  |  |  |   |   |  |  |  |    |    |  |  |  |    |  |  |                                                                                                                                                                                                                                                                                                                                                                                                                                                                                                                                                                                                                                                                                                                                                                                                                                                                                                                                                                                                                                                                                                    |    |            |  |  |  |     |   |  |  |     |   |  |  |  |   |   |  |     |   |  |  |  |   |   |  |  |   |    |  |  |  |  |    |          |  |  |  |     |   |  |  |     |   |  |  |  |   |   |  |     |   |  |  |  |   |   |  |  |    |    |  |  |    |  |
|                                                                                                                                                                                                                                                                                                                                                                                                                                                                                                                                                                                                                                                                                                                                                                                                                                                                                                                                                                                                                                                                                                                                                                                                                                                                                                                                                                       |            | 11         | ** |                              |                              |  |     |   |  |  |  |     |   |  |  |  |  |   |   |  |  |     |   |  |  |  |  |   |   |  |  |  |   |    |  |  |  |  |  |  |    |          |  |   |                              |  |     |   |  |  |  |     |   |  |  |  |  |   |   |  |  |     |   |  |  |  |  |   |   |  |  |  |    |    |  |  |  |    |  |  |                                                                                                                                                                                                                                                                                                                                                                                                                                                                                                                                                                                                                                                                                                                                                                                                                                                                                                                                                                                                                                                                                                    |    |            |  |  |  |     |   |  |  |     |   |  |  |  |   |   |  |     |   |  |  |  |   |   |  |  |   |    |  |  |  |  |    |          |  |  |  |     |   |  |  |     |   |  |  |  |   |   |  |     |   |  |  |  |   |   |  |  |    |    |  |  |    |  |
|                                                                                                                                                                                                                                                                                                                                                                                                                                                                                                                                                                                                                                                                                                                                                                                                                                                                                                                                                                                                                                                                                                                                                                                                                                                                                                                                                                       |            | 20         |    |                              |                              |  |     |   |  |  |  |     |   |  |  |  |  |   |   |  |  |     |   |  |  |  |  |   |   |  |  |  |   |    |  |  |  |  |  |  |    |          |  |   |                              |  |     |   |  |  |  |     |   |  |  |  |  |   |   |  |  |     |   |  |  |  |  |   |   |  |  |  |    |    |  |  |  |    |  |  |                                                                                                                                                                                                                                                                                                                                                                                                                                                                                                                                                                                                                                                                                                                                                                                                                                                                                                                                                                                                                                                                                                    |    |            |  |  |  |     |   |  |  |     |   |  |  |  |   |   |  |     |   |  |  |  |   |   |  |  |   |    |  |  |  |  |    |          |  |  |  |     |   |  |  |     |   |  |  |  |   |   |  |     |   |  |  |  |   |   |  |  |    |    |  |  |    |  |

Figure 13. How to Avoid Unwanted Control Breaks (Part 4 of 4)

Different record types normally contain the same number of control fields. However, some applications require a different number of control fields in some records.



The salesman records contain only the L2 control field. The item records contain both L1 and L2 control fields. With normal RPG IV coding, an unwanted control break is created by the first item record following the salesman record. This is recognized by an L1 control break immediately following the salesman record and results in an asterisk being printed on the line below the salesman record.

- Numeric control fields are compared in zoned decimal format. Packed numeric input fields lengths can be determined by the formula:

$$d = 2n - 1$$

Where d = number of digits in the field and n = length of the input field. The number of digits in a packed numeric field is always odd; therefore, when a packed numeric field is compared with a zoned decimal numeric field, the zoned field must have an odd length.

- When numeric control fields with decimal positions are compared to determine whether a control break has occurred, they are always treated as if they had no decimal positions. For instance, 3.46 is considered equal to 346.
- If you specify a field as numeric, only the positive numeric value determines whether a control break has occurred; that is, a field is always considered to be positive. For example, -5 is considered equal to +5.
- Date and time fields are converted to \*ISO format before being compared
- Graphic data is compared by hexadecimal value

### Split Control Field

A split control field is formed when you assign more than one field in an input record the same control level indicator. For a program described file, the fields that have the same control level indicator are combined by the program in the order specified in the input specifications and treated as a single control field (see Figure 14). The first field defined is placed in the high-order (leftmost) position of the control field, and the last field defined is placed in the low-order (rightmost) position of the control field.

|                                                                      |           |           |           |                  |
|----------------------------------------------------------------------|-----------|-----------|-----------|------------------|
| *...1....+....2....+....3....+....4....+....5....+....6....+....7... |           |           |           |                  |
| IFilename++SqNORiPos1+NCCPos2+NCCPos3+NCC.....                       |           |           |           |                  |
| I.....Fmt+SPFrom+To+++DcField+++++++L1M1FrP1MnZr....                 |           |           |           |                  |
| <b>IMASTER</b>                                                       | <b>01</b> |           |           |                  |
| <b>I</b>                                                             |           | <b>28</b> | <b>31</b> | <b>CUSNO L4</b>  |
| <b>I</b>                                                             |           | <b>15</b> | <b>20</b> | <b>ACCTNO L4</b> |
| <b>I</b>                                                             |           | <b>50</b> | <b>52</b> | <b>REGNO L4</b>  |

Figure 14. Split Control Fields

For an externally described file, fields that have the same control level indicator are combined in the order in which the fields are described in the data description specifications (DDS), not in the order in which the fields are specified on the input specifications. For example, if these fields are specified in DDS in the following order:

- EMPNO
- DPTNO
- REGNO

and if these fields are specified with the same control level indicator in the following order on the input specifications:

- REGNO L3
- DPTNO L3

## Indicators Defined on RPG IV Specifications

- EMPNO L3

the fields are combined in the following order to form a split control field: EMPNO DPTNO REGNO.

Some special rules for split control fields are:

- For one control level indicator, you can split a field in some record types and not in others if the field names are different. However, the length of the field, whether split or not, must be the same in all record types.
- You can vary the length of the portions of a split control field for different record types if the field names are different. However, the total length of the portions must always be the same.
- A split control field can be made up of a combination of packed decimal fields and zoned decimal fields so long as the field lengths (in digits or characters) are the same.
- You must assign all portions of a split control field in one record type the same field record relation indicator and it must be defined on consecutive specification lines.
- When a split control field contains a date, time, or timestamp field than all fields in the split control field must be of the same type.

Figure 15 shows examples of the preceding rules.

```

*...1....+....2....+....3....+....4....+....5....+....6....+....7...
IFilename++SqNORiPos1+NCCPos2+NCCPos3+NCC.....
I.....Fmt+SPFrom+To+++DcField+++++++L1M1FrP1MnZr....
IDISK BC 91 95 C1
I OR 92 95 C2
I OR 93 95 C3
I
* All portions of the split control field must be assigned the same
* control level indicator and all must have the same field record
* relation entry.
I 1 5 FLD1A L1
I 46 50 FLD1B L1
I 11 13 FLDA L2
I 51 60 FLD2A L3
I 31 40 FLD2B L3
I 71 75 FLD3A L4 92
I 26 27 FLD3B L4 92
I 41 45 FLD3C L4 92
I 61 70 FLDB 92
I 21 25 FLDC 92
I 6 10 FLD3D L4 93
I 14 20 FLD3E L4 93

```

Figure 15. Split Control Fields—Special Rules

The record identified by a '1' in position 95 has two split control fields:

1. FLD1A and FLD1B
2. FLD2A and FLD2B

The record identified with a '2' in position 95 has three split control fields:

1. FLD1A and FLD1B
2. FLD2A and FLD2B
3. FLD3A, FLD3B, and FLD3C

The third record type, identified by the 3 in position 95, also has three split control fields:

1. FLD1A and FLD1B
2. FLD2A and FLD2B
3. FLD3D and FLD3E

### Field Indicators

A field indicator is defined by an entry in positions 69 and 70, 71 and 72, or 73 and 74 of the input specifications. The valid field indicators are:

- 01-99
- H1-H9
- U1-U8
- RT

You can use a field indicator to determine if the specified field or array element is greater than zero, less than zero, zero, or blank. Positions 69 through 72 are valid for numeric fields only; positions 73 and 74 are valid for numeric or character fields. An indicator specified in positions 69 and 70 is set on when the numeric input field is greater than zero; an indicator specified in positions 71 and 72 is set on when the numeric input field is less than zero; and an indicator specified in positions 73 and 74 is set on when the numeric input field is zero or when the character input field is blank. You can then use the field indicator to condition calculation or output operations.

A field indicator is set on when the data for the field or array element is extracted from the record and the condition it represents is present in the input record. This field indicator remains on until another record of the same type is read and the condition it represents is not present in the input record, or until the indicator is set off as the result of a calculation.

You can use halt indicators (H1 through H9) as field indicators to check for an error condition in the field or array element as it is read into the program.

### Rules for Assigning Field Indicators

When you assign field indicators, remember the following:

- Indicators for plus, minus, zero, or blank are set off at the beginning of the program. They are not set on until the condition (plus, minus, zero, or blank) is satisfied by the field being tested on the record just read.
- Field indicators cannot be used with entire arrays or with look-ahead fields. However, an entry can be made for an array element. Field indicators are allowed for null-capable fields only if `ALWNULL(*USRCTL)` is used.
- A numeric input field can be assigned two or three field indicators. However, only the indicator that signals the result of the test on that field is set on; the others are set off.
- If the same field indicator is assigned to fields in different record types, its state (on or off) is always based on the last record type selected.
- When different field indicators are assigned to fields in different record types, a field indicator remains on until another record of that type is read. Similarly, a field indicator assigned to more than one field within a single record type always reflects the status of the last field defined.
- The same field indicator can be specified as a field indicator on another input specification, as a resulting indicator, as a record identifying indicator, or as a

## Indicators Defined on RPG IV Specifications

field record relation indicator. No diagnostic message is issued, but this use of indicators could cause erroneous results, especially when match fields or level control is involved.

- If the same indicator is specified in all three positions, the indicator is always set on when the record containing this field is selected.

## Resulting Indicators

Resulting indicators are used by calculation specifications in the traditional format (C specifications). They are not used by free-form calculation specifications. For most operation codes, in either traditional format or free-form, you can use built-in functions instead of resulting indicators. For more information, see “Built-in Functions” on page 394.

A resulting indicator is defined by an entry in positions 71 through 76 of the calculation specifications. The purpose of the resulting indicators depends on the operation code specified in positions 26 through 35. (See the individual operation code in Chapter 23, “Operation Codes,” on page 563 for a description of the purpose of the resulting indicators.) For example, resulting indicators can be used to test the result field after an arithmetic operation, to identify a record-not-found condition, to indicate an exception/error condition for a file operation, or to indicate an end-of-file condition.

The valid resulting indicators are:

- 01-99
- H1-H9
- OA-OG, OV
- L1-L9
- LR
- U1-U8
- KA-KN, KP-KY (valid only with SETOFF)
- RT

You can specify resulting indicators in three places (positions 71-72, 73-74, and 75-76) of the calculation specifications. The positions in which the resulting indicator is defined determine the condition to be tested.

In most cases, when a calculation is processed, the resulting indicators are set off, and, if the condition specified by a resulting indicator is satisfied, that indicator is set on. However, there are some exceptions to this rule, notably “LOOKUP (Look Up a Table or Array Element)” on page 667, “SETOFF (Set Indicator Off)” on page 767, and “SETON (Set Indicator On)” on page 768. A resulting indicator can be used as a conditioning indicator on the same calculation line or in other calculations or output operations. When you use it on the same line, the prior setting of the indicator determines whether or not the calculation is processed. If it is processed, the result field is tested and the current setting of the indicator is determined (see Figure 16 on page 47).

### Rules for Assigning Resulting Indicators

When assigning resulting indicators, remember the following:

- Resulting indicators cannot be used when the result field refers to an entire array.
- If the same indicator is used to test the result of more than one operation, the last operation processed determines the setting of the indicator.

## Indicators Defined on RPG IV Specifications

- When L1 through L9 indicators are used as resulting indicators and are set on, lower level indicators are not set on. For example, if L8 is set on, L1 through L7 are not set on.
- If H1 through H9 indicators are set on when used as resulting indicators, the program halts unless the halt indicator is set off prior to being checked in the program cycle. (See Chapter 3, “Program Cycle,” on page 21).
- The same indicator can be used to test for more than one condition depending on the operation specified.

```
*...1....+....2....+....3....+....4....+....5....+....6....+....7...
CL0N01Factor1+++++Opcode(E)+Factor2+++++Result+++++Len++D+HiLoEq..
*
* Two resulting indicators are used to test for the different
* conditions in a subtraction operation. These indicators are
* used to condition the calculations that must be processed for
* a payroll job. Indicator 10 is set on if the hours worked (HRSWKD)
* are greater than 40 and is then used to condition all operations
* necessary to find overtime pay. If Indicator 20 is not on
* (the employee worked 40 or more hours), regular pay based on a
* 40-hour week is calculated.
*
C HRSWKD SUB 40 OVERTM 3 01020
*
C N20PAYRAT MULT (H) 40 PAY 6 2
C 10OVERTM MULT (H) OVRRT OVRPAY 6 2
C 10OVRPAY ADD PAY PAY
*
* If indicator 20 is on (employee worked less than 40 hours), pay
* based on less than a 40-hour week is calculated.
C 20PAYRAT MULT (H) HRSWKD PAY
*
```

Figure 16. Resulting Indicators Used to Condition Operations

## Indicators Not Defined on the RPG IV Specifications

Not all indicators that can be used as conditioning indicators in an RPG IV program are defined on the specification forms. External indicators (U1 through U8) are defined by a CL command or by a previous RPG IV program. Internal indicators (IP, LR, MR, and RT) are defined by the RPG IV program cycle itself.

### External Indicators

The external indicators are U1 through U8. These indicators can be set in a CL program or in an RPG IV program. In a CL program, they can be set by the SWS (switch-setting) parameter on the CL commands CHGJOB (Change Job) or CRTJOB (Create Job Description). In an RPG IV program, they can be set as a resulting indicator or field indicator.

The status of the external indicators can be changed in the program by specifying them as resulting indicators on the calculation specifications or as field indicators on the input specifications. However, changing the status of the i5/OS job switches with a CL program during processing of an RPG IV program has no effect on the copy of the external indicators used by the RPG IV program. Setting the external indicators on or off in the program has no effect on file operations. File operations function according to the status of the U1 through U8 indicators when the program is initialized. However, when a program ends normally with LR on, the external

## Indicators Not Defined on the RPG IV Specifications

indicators are copied back into storage, and their status reflects their last status in the RPG IV program. The current status of the external indicators can then be used by other programs.

**Note:** When using “RETURN (Return to Caller)” on page 750 with the LR indicator off, you are specifying a return without an end and, as a result, no external indicators are updated.

### Internal Indicators

Internal indicators include:

- First page indicator
- Last record indicator
- Matching record indicator
- Return Indicator.

#### First Page Indicator (1P)

The first page (1P) indicator is set on by the RPG IV program when the program starts running and is set off by the RPG IV program after detail time output. The first record will be processed after detail time output. The 1P indicator can be used to condition heading or detail records that are to be written at 1P time. Do not use the 1P indicator in any of the following ways:

- To condition output fields that require data from input records; this is because the input data will not be available.
- To condition total or exception output lines
- In an AND relationship with control level indicators
- As a resulting indicator
- When NOMAIN is specified on a control specification

#### Last Record Indicator (LR)

In a program that contains a primary file, the last record indicator (LR) is set on after the last record from a primary/secondary file has been processed, or it can be set on by the programmer.

The LR indicator can be used to condition calculation and output operations that are to be done at the end of the program. When the LR indicator is set on, all other control level indicators (L1 through L9) are also set on. If any of the indicators L1 through L9 have not been defined as control level indicators, as record identifying indicators, as resulting indicators, or by \*INxx, the indicators are set on when LR is set on, but they cannot be used in other specifications.

In a program that does not contain a primary file, you can set the LR indicator on as one method to end the program. (For more information on how to end a program without a primary file, see Chapter 3, “Program Cycle,” on page 21.) To set the LR indicator on, you can specify the LR indicator as a record identifying indicator or a resulting indicator. If LR is set on during detail calculations, all other control level indicators are set on at the beginning of the next cycle. LR and the record identifying indicators are both on throughout the remainder of the detail cycle, but the record identifying indicators are set off before LR total time.

#### Matching Record Indicator (MR)

The matching record indicator (MR) is associated with the matching field entries M1 through M9. It can only be used in a program when Match Fields are defined in the primary and at least one secondary file.

## Indicators Not Defined on the RPG IV Specifications

The MR indicator is set on when all the matching fields in a record of a secondary file match all the matching fields of a record in the primary file. It remains on during the complete processing of primary and secondary records. It is set off when all total calculations, total output, and overflow for the records have been processed.

At detail time, MR always indicates the matching status of the record just selected for processing; at total time, it reflects the matching status of the previous record. If all primary file records match all secondary file records, the MR indicator is always on.

Use the MR indicator as a field record relation indicator, or as a conditioning indicator in the calculation specifications or output specifications to indicate operations that are to be processed only when records match. The MR indicator cannot be specified as a resulting indicator.

For more information on Match Fields and multi-file processing, see Chapter 7, "General File Considerations," on page 103.

### Return Indicator (RT)

You can use the return indicator (RT) to indicate to the internal RPG IV logic that control should be returned to the calling program. The test to determine if RT is on is made after the test for the status of LR and before the next record is read. If RT is on, control returns to the calling program. RT is set off when the program is called again.

Because the status of the RT indicator is checked after the halt indicators (H1 through H9) and LR indicator are tested, the status of the halt indicators or the LR indicator takes precedence over the status of the RT indicator. If both a halt indicator and the RT indicator are on, the halt indicator takes precedence. If both the LR indicator and RT indicator are on, the program ends normally.

RT can be set on as a record identifying indicator, a resulting indicator, or a field indicator. It can then be used as a conditioning indicator for calculation or output operations.

For a description of how RT can be used to return control to the calling program, see the chapter on calling programs in the *WebSphere Development Studio: ILE RPG Programmer's Guide*.

---

## Using Indicators

Indicators that you have defined as overflow indicators, control level indicators, record identifying indicators, field indicators, resulting indicators, \*IN, \*IN(xx), \*INxx, or those that are defined by the RPG IV language can be used to condition files, calculation operations, or output operations. An indicator must be defined before it can be used as a conditioning indicator. The status (on or off) of an indicator is not affected when it is used as a conditioning indicator. The status can be changed only by defining the indicator to represent a certain condition.

**Note:** Indicators that control the cycle function solely as conditioning indicators when used in a NOMAIN module; or in a subprocedure that is active, but where the main procedure of the module is not. Indicators that control the cycle include: LR, RT, H1-H9, and control level indicators.

### File Conditioning

The file conditioning indicators are specified by the EXTIND keyword on the file description specifications. Only the external indicators U1 through U8 are valid for file conditioning. (The USROPN keyword can be used to specify that no implicit OPEN should be done.)

If the external indicator specified is off when the program is called, the file is not opened and no data transfer to or from the file will occur when the program is running. Primary and secondary input files are processed as if they were at end-of-file. The end-of-file indicator is set on for all READ operations to that file. Input, calculation, and output specifications for the file need not be conditioned by the external indicator.

#### Rules for File Conditioning

When you condition files, remember the following:

- A file conditioning entry can be made for input, output, update, or combined files.
- A file conditioning entry cannot be made for table or array input.
- Output files for tables can be conditioned by U1 through U8. If the indicator is off, the table is not written.
- A record address file can be conditioned by U1 through U8, but the file processed by the record address file cannot be conditioned by U1 through U8.
- If the indicator conditioning a primary file with matching records is off, the MR indicator is not set on.
- Input does not occur for an input, an update, or a combined file if the indicator conditioning the file is off. Any indicators defined on the associated Input specifications in positions 63-74 will be processed as usual using the existing values in the input fields.
- Data transfer to the file does not occur for an output, an update, or a combined file if the indicator conditioning the file is off. Any conditioning indicators, numeric editing, or blank after that are defined on the output specifications for these files will be processed as usual.
- If the indicator conditioning an input, an update, or a combined file is off, the file is considered to be at end of file. All defined resulting indicators are set off at the beginning of each specified I/O operation. The end-of-file indicator is set on for READ, READC, READE, READPE, and READP operations. CHAIN, EXFMT, SETGT, SETLL, and UNLOCK operations are ignored and all defined resulting indicators remain set off.

### Field Record Relation Indicators

Field record relation indicators are specified in positions 67 and 68 of the input specifications. The valid field record relation indicators are:

- 01-99
- H1-H9
- MR
- RT
- L1-L9
- U1-U8

Field record relation indicators cannot be specified for externally described files.



You use field record relation indicators to associate fields with a particular record type when that record type is one of several in an OR relationship. The field described on the specification line is available for input only if the indicator specified in the field record relation entry is on or if the entry is blank. If the entry is blank, the field is common to all record types defined by the OR relationship.

### Assigning Field Record Relation Indicators

You can use a record identifying indicator (01 through 99) in positions 67 and 68 to relate a field to a particular record type. When several record types are specified in an OR relationship, all fields that do not have a field record relation indicator in positions 67 and 68 are associated with all record types in the OR relationship. To relate a field to just one record type, you enter the record identifying indicator assigned to that record type in positions 67 and 68 (see Figure 17 on page 52).

An indicator (01 through 99) that is not a record identifying indicator can also be used in positions 67 and 68 to condition movement of the field from the input area to the input fields.

Control fields, which you define with an L1 through L9 indicator in positions 63 and 64 of the input specifications, and match fields, which are specified by a match value (M1 through M9) in positions 65 and 66 of the input specifications, can also be related to a particular record type in an OR relationship if a field record relation indicator is specified. Control fields or match fields in the OR relationship that do not have a field record relation indicator are used with all record types in the OR relationship.

If two control fields have the same control level indicator or two match fields have the same matching level value, a field record relation indicator can be assigned to just one of the match fields. In this case, only the field with the field record relation indicator is used when that indicator is on. If none of the field record relation indicators are on for that control field or match field, the field without a field record relation indicator is used. Control fields and match fields can only have entries of 01 through 99 or H1 through H9 in positions 67 and 68.

You can use positions 67 and 68 to specify that the program accepts and uses data from a particular field only when a certain condition occurs (for example, when records match, when a control break occurs, or when an external indicator is on). You can indicate the conditions under which the program accepts data from a field by specifying indicators L1 through L9, MR, or U1 through U8 in positions 67 and 68. Data from the field named in positions 49 through 62 is accepted only when the field record relation indicator is on.

External indicators are primarily used when file conditioning is specified with the "EXTIND(\*INUx)" on page 279 keyword on the file description specifications. However, they can be used even though file conditioning is not specified.

A halt indicator (H1 through H9) in positions 67 and 68 relates a field to a record that is in an OR relationship and also has a halt indicator specified in positions 21 and 22.

Remember the following points when you use field record relation indicators:

- Control level (positions 63 and 64) and matching fields (positions 65 and 66) with the same field record relation indicator must be grouped together.
- Fields used for control level (positions 63 and 64) and matching field entries (positions 65 and 66) without a field record relation indicator must appear before those used with a field record relation indicator.

## Using Indicators

- Control level (positions 63 and 64) and matching fields (positions 65 and 66) with a field record relation indicator (positions 67 and 68) take precedence, when the indicator is on, over control level and matching fields of the same level without an indicator.
- Field record relations (positions 67 and 68) for matching and control level fields (positions 63 through 66) must be specified with record identifying indicators (01 through 99 or H1 through H9) from the main specification line or an OR relation line to which the matching field refers. If multiple record types are specified in an OR relationship, an indicator that specifies the field relation can be used to relate matching and control level fields to the pertinent record type.
- Noncontrol level (positions 63 and 64) and matching field (positions 65 and 66) specifications can be interspersed with groups of field record relation entries (positions 67 and 68).
- The MR indicator can be used as a field record relation indicator to reduce processing time when certain fields of an input record are required only when a matching condition exists.
- The number of control levels (L1 through L9) specified for different record types in the OR relationship can differ. There can be no control level for certain record types and a number of control levels for other record types.
- If all matching fields (positions 65 and 66) are specified with field record relation indicators (positions 67 and 68), each field record relation indicator must have a complete set of matching fields associated with it.
- If one matching field is specified without a field record relation indicator, a complete set of matching fields must be specified for the fields without a field record relation indicator.

```

*...1....+....2....+....3....+....4....+....5....+....6....+....7...
IFilename++SqNORiPos1+NCCPos2+NCCPos3+NCC.....
I.....Fmt+SPFrom+To+++DcField+++++++L1M1FrP1MnZr....
IREPORT AA 14 1 C5
I OR 16 1 C6
I
I 20 30 FLDB
I 2 10 FLDA 07
*
* Indicator 07 was specified elsewhere in the program.
*
I 40 50 FLDC 14
I 60 70 FLDD 16

```

Figure 17. Field Record Relation

The file contains two different types of records, one identified by a 5 in position 1 and the other by a 6 in position 1. The FLDC field is related by record identifying indicator 14 to the record type identified by a 5 in position 1. The FLDD field is related to the record type having a 6 in position 1 by record identifying indicator 16. This means that FLDC is found on only one type of record (that identified by a 5 in position 1) and FLDD is found only on the other type. FLDA is conditioned by indicator 07, which was previously defined elsewhere in the program. FLDB is found on both record types because it is not related to any one type by a record identifying indicator.

## Function Key Indicators

You can use function key indicators in a program that contains a WORKSTN device if the associated function keys are specified in data description specifications (DDS). Function keys are specified in DDS with the CFxx or CAxx

keyword. For an example of using function key indicators with a WORKSTN file, see the WORKSTN chapter in the *WebSphere Development Studio: ILE RPG Programmer's Guide*.

| Function Key Indicator | Corresponding Function Key | Function Key Indicator | Corresponding Function Key |
|------------------------|----------------------------|------------------------|----------------------------|
| KA                     | 1                          | KM                     | 13                         |
| KB                     | 2                          | KN                     | 14                         |
| KC                     | 3                          | KP                     | 15                         |
| KD                     | 4                          | KQ                     | 16                         |
| KE                     | 5                          | KR                     | 17                         |
| KF                     | 6                          | KS                     | 18                         |
| KG                     | 7                          | KT                     | 19                         |
| KH                     | 8                          | KU                     | 20                         |
| KI                     | 9                          | KV                     | 21                         |
| KJ                     | 10                         | KW                     | 22                         |
| KK                     | 11                         | KX                     | 23                         |
| KL                     | 12                         | KY                     | 24                         |

The function key indicators correspond to function keys 1 through 24. Function key indicator KA corresponds to function key 1, KB to function key 2 ... KY to function key 24.

Function key indicators that are set on can then be used to condition calculation or output operations. Function key indicators can be set off by the SETOFF operation.

## Halt Indicators (H1-H9)

You can use the halt indicators (H1 through H9) to indicate errors that occur during the running of a program. The halt indicators can be set on as record identifying indicators, field indicators, or resulting indicators.

The halt indicators are tested at the \*GETIN step of the RPG IV cycle (see Chapter 3, "Program Cycle," on page 21). If a halt indicator is on, a message is issued to the user. The following responses are valid:

- Set off the halt indicator and continue the program.
- Issue a dump and end the program.
- End the program with no dump.

If a halt indicator is on when a RETURN operation inside a main procedure is processed, or when the LR indicator is on, the called program ends abnormally. The calling program is informed that the called program ended with a halt indicator on.

**Note:** If the keyword NOMAIN is specified on a control specification, then any halt indicators are ignored except as conditioning indicators.

For a detailed description of the steps that occur when a halt indicator is on, see the detailed flowchart of the RPG IV cycle in Chapter 3, "Program Cycle," on page 21.

### Indicators Conditioning Calculations

Calculation specifications in the traditional format (C specifications) can include conditioning indicators in positions 7 and 8, and positions 9 through 11. Conditioning indicators are not used by free-form calculation specifications.

Indicators that specify the conditions under which a calculation is performed are defined elsewhere in the program.

#### Positions 7 and 8

You can specify control level indicators (L1 through L9 and LR) in positions 7 and 8 of the calculation specifications.

If positions 7 and 8 are blank, the calculation is processed at detail time, is a statement within a subroutine, or is a declarative statement. If indicators L1 through L9 are specified, the calculation is processed at total time only when the specified indicator is on. If the LR indicator is specified, the calculation is processed during the last total time.

**Note:** An L0 entry can be used to indicate that the calculation is a total calculation that is to be processed on every program cycle.

#### Positions 9-11

You can use positions 9 through 11 of the calculation specifications to specify indicators that control the conditions under which an operation is processed. You can specify N in position 9 to indicate that the indicator should be tested for the value of off ('0'). The valid entries for positions 10 through 11 are:

- 01-99
- H1-H9
- MR
- OA-OG, OV
- L1-L9
- LR
- U1-U8
- KA-KN, KP-KY
- RT

Any indicator that you use in positions 9 through 11 must be previously defined as one of the following types of indicators:

- Overflow indicators (file description specifications "OFLIND(indicator)" on page 282)
- Record identifying indicators (input specifications, positions 21 and 22)
- Control level indicators (input specifications, positions 63 and 64)
- Field indicators (input specifications, positions 69 through 74)
- Resulting indicators (calculation specifications, positions 71 through 76)
- External indicators
- Indicators are set on, such as LR and MR
- \*IN array, \*IN(xx) array element, or \*INxx field (see "Indicators Referred to As Data" on page 60 for a description of how an indicator is defined when used with one of these reserved words).

If the indicator must be off to condition the operation, place an N in positions 9. The indicators in grouped AND/OR lines, plus the control level indicators (if specified in positions 7 and 8), must all be exactly as specified before the operation is done as in Figure 18.

|                                                                      |           |             |              |                        |
|----------------------------------------------------------------------|-----------|-------------|--------------|------------------------|
| *...1....+....2....+....3....+....4....+....5....+....6....+....7... |           |             |              |                        |
| CL0N01Factor1+++++Opcode(E)+Factor2+++++Result+++++Len++D+HiLoEq..   |           |             |              |                        |
| *                                                                    |           |             |              |                        |
| <b>C</b>                                                             | <b>25</b> |             |              |                        |
| <b>CAN L1</b>                                                        |           | <b>SUB</b>  | <b>TOTAL</b> | <b>TOTAL</b> <b>A</b>  |
| <b>CL2 10</b>                                                        |           |             |              |                        |
| <b>CANNL3TOTAL</b>                                                   |           | <b>MULT</b> | <b>05</b>    | <b>SLSTAX</b> <b>B</b> |
| *                                                                    |           |             |              |                        |

Figure 18. Conditioning Operations (Control Level Indicators)

Assume that indicator 25 represents a record type and that a control level 2 break occurred when record type 25 was read. L1 and L2 are both on. All operations conditioned by the control level indicators in positions 7 and 8 are done before operations conditioned by control level indicators in positions 9 through 11. Therefore, the operation in **B** occurs before the operation in **A**. The operation in **A** is done on the first record of the new control group indicated by 25, whereas the operation in **B** is a total operation done for all records of the previous control group.

The operation in **B** can be done when the L2 indicator is on provided the other conditions are met: Indicator 10 must be on; the L3 indicator must not be on.

The operation conditioned by both L2 and NL3 is done only when a control level 2 break occurs. These two indicators are used together because this operation is not to be done when a control level 3 break occurs, even though L2 is also on.

Some special considerations you should know when using conditioning indicators in positions 9 through 11 are as follows:

- With externally described workstation files, the conditioning indicators on the calculation specifications must be either defined in the RPG program or be defined in the DDS source for the workstation file.
- With program described workstation files, the indicators used for the workstation file are unknown at compile time of the RPG program. Thus indicators 01-99 are assumed to be declared and they can be used to condition the calculation specifications without defining them.
- Halt indicators can be used to end the program or to prevent the operation from being processed when a specified error condition is found in the input data or in another calculation. Using a halt indicator is necessary because the record that causes the halt is completely processed before the program stops. Therefore, if the operation is processed on an error condition, the results are in error. A halt indicator can also be used to condition an operation that is to be done only when an error occurs.
- If LR is specified in positions 9 through 11, the calculation is done after the last record has been processed or after LR is set on.
- If a control level indicator is used in positions 9 through 11 and positions 7 and 8 are not used (detail time), the operation conditioned by the indicator is done only on the record that causes a control break or any higher level control break.
- If a control level indicator is specified in positions 7 and 8 (total time) and MR is specified in positions 9 through 11, MR indicates the matching condition of the

## Using Indicators

previous record and not the one just read that caused the control break. After all operations conditioned by control level indicators in positions 7 and 8 are done, MR then indicates the matching condition of the record just read.

- If positions 7 and 8 and positions 9 through 11 are blank, the calculation specified on the line is done at detail calculation time.

Figure 19 and Figure 20 show examples of conditioning indicators.

```
*...1....+....2....+....3....+....4....+....5....+....6....+....7...
IFilenameSqNORiPos1NCCPos2NCCPos3NCC.PFromTo++DField+L1M1FrP1MnZr...*
I.....Fm+SPFrom+To+++DcField+++++++L1M1FrP1MnZr....
*
* Field indicators can be used to condition operations. Assume the
* program is to find weekly earnings including overtime. The over-
* time field is checked to determine if overtime was entered.
* If the employee has worked overtime, the field is positive and -
* indicator 10 is set on. In all cases the weekly regular wage
* is calculated. However, overtime pay is added only if
* indicator 10 is on.
*
ITIME AB 01
I 1 7 EMPLNO
I 8 10 0OVERTM 10
I 15 20 2RATE
I 21 25 2RATEOT
CL0N01Factor1+++++Opcode(E)+Extended-factor2+++++
*
* Field indicator 10 was assigned on the input specifications.
* It is used here to condition calculation operations.
*
C EVAL (H) PAY = RATE * 40
C 10 EVAL (H) PAY = PAY + (OVERTM * RATEOT)
```

Figure 19. Conditioning Operations (Field Indicators)

```
*...1....+....2....+....3....+....4....+....5....+....6....+....7...
IFilename++SqNORiPos1+NCCPos2+NCCPos3+NCC.....
I.....Fm+SPFrom+To+++DcField+++++++L1M1FrP1MnZr....
*
* A record identifying indicator is used to condition an operation.
* When a record is read with a T in position 1, the 01 indicator is
* set on. If this indicator is on, the field named SAVE is added
* to SUM. When a record without T in position 1 is read, the 02
* indicator is set on. The subtract operation, conditioned by 02,
* then performed instead of the add operation.
*
IFILE AA 01 1 CT
I OR 02 1NCT
I 10 15 2SAVE
CL0N01Factor1+++++Opcode(E)+Factor2+++++Result+++++Len++D+HiLoEq..
*
* Record identifying indicators 01 and 02 are assigned on the input
* specifications. They are used here to condition calculation
* operations.
*
CL0N01Factor1+++++Opcode(E)+Factor2+++++Result+++++Len++D+HiLoEq..
C 01 ADD SAVE SUM 8 2
C 02 SUB SAVE SUM 8 2
```

Figure 20. Conditioning Operations (Record Identifying Indicators)

## Indicators Used in Expressions

Indicators can be used as booleans in expressions in the extended factor 2 field of the calculation specification. They must be referred to as data (that is, using \*IN or \*INxx). The following examples demonstrate this.

```

CL0N01Factor1++++++Opcode(E)+Extended-factor2+++++
* In these examples, the IF structure is performed only if 01 is on.
* *IN01 is treated as a boolean with a value of on or off.

* In the first example, the value of the indicator ('0' or '1') is
* checked.
C IF *IN01

* In the second example, the logical expression B < A is evaluated.
* If true, 01 is set on. If false 01 is set off. This is analogous
* to using COMP with A and B and placing 01 in the appropriate
* resulting indicator position.
C EVAL *IN01 = B < A

```

Figure 21. Indicators Used in Expressions

See the expressions chapter and the operation codes chapter in this document for more examples and further details.

## Indicators Conditioning Output

Indicators that you use to specify the conditions under which an output record or an output field is written must be previously defined in the program. Indicators to condition output are specified in positions 21 through 29. All indicators are valid for conditioning output.

The indicators you use to condition output must be previously defined as one of the following types of indicators:

- Overflow indicators (file description specifications, “OFLIND(indicator)” on page 282)
- Record identifying indicators (input specifications, positions 21 and 22)
- Control level indicators (input specifications, positions 63 and 64)
- Field indicators (input specifications, positions 69 through 74)
- Resulting indicators (calculation specifications, positions 71 through 76)
- Indicators set by the RPG IV program such as 1P and LR
- External indicators set prior to or during program processing
- \*IN array, \*IN(xx) array element, or \*INxx field (see “Indicators Referred to As Data” on page 60 for a description of how an indicator is defined when used with one of these reserved words).

If an indicator is to condition an entire record, you enter the indicator on the line that specifies the record type (see Figure 22 on page 59). If an indicator is to condition when a field is to be written, you enter the indicator on the same line as the field name (see Figure 22 on page 59).

Conditioning indicators are not required on output lines. If conditioning indicators are not specified, the line is output every time that type of record is checked for output. If you specify conditioning indicators, one indicator can be entered in each of the three separate output indicator fields (positions 22 and 23, 25 and 26, and 28 and 29). If these indicators are on, the output operation is done. An N in the

## Using Indicators

position preceding each indicator (positions 21, 24, or 27) means that the output operation is done only if the indicator is not on (a negative indicator). No output line should be conditioned by all negative indicators; at least one of the indicators should be positive. If all negative indicators condition a heading or detail operation, the operation is done at the beginning of the program cycle when the first page (1P) lines are written.

You can specify output indicators in an AND/OR relationship by specifying AND/OR in positions 16 through 18. An unlimited number of AND/OR lines can be used. AND/OR lines can be used to condition output records, but they cannot be used to condition fields. However, you can condition a field with more than three indicators by using the EVAL operation in calculations. The following example illustrates this.

```
CL0N01Factor1+++++0pcode(E)+Extended-factor2+++++
* Indicator 20 is set on only if indicators 10, 12, 14,16, and 18
* are set on.
C EVAL *IN20 = *IN10 AND *IN12 AND *IN14
C AND *IN16 AND *IN18
OFilename++DAddN01N02N03Excnam++++.....
O.....N01N02N03Field+++++YB.End++PConstant/editword/DTformat
* OUTFIELD is conditioned by indicator 20, which effectively
* means it is conditioned by all the indicators in the EVAL
* operation.
OPRINTER E
0 20 OUTFIELD
```

Other special considerations you should know about for output indicators are as follows:

- The first page indicator (1P) allows output on the first cycle before the primary file read, such as printing on the first page. The line conditioned by the 1P indicator must contain constant information used as headings or fields for reserved words such as PAGE and UDATE. The constant information is specified in the output specifications in positions 53 through 80. If 1P is used in an OR relationship with an overflow indicator, the information is printed on every page (see Figure 23 on page 59). Use the 1P indicator only with heading or detail output lines. It cannot be used to condition total or exception output lines or should not be used in an AND relationship with control level indicators.
- If certain error conditions occur, you might not want output operation processed. Use halt indicators to prevent the data that caused the error from being used (see Figure 24 on page 60).
- To condition certain output records on external conditions, use external indicators to condition those records.

See the Printer File section in the *WebSphere Development Studio: ILE RPG Programmer's Guide* for a discussion of the considerations that apply to assigning overflow indicators on the output specifications.



```

*...1....+...2....+...3....+...4....+...5....+...6....+...7...
OFilename++DF..N01N02N03Excnam++++B++A++Sb+Sa+.....
O.....N01N02N03Field+++++++YB.End++PConstant/editword/DTformat
*
* One indicator is used to condition an entire line of printing.
* When 44 is on, the fields named INVOIC, AMOUNT, CUSTR, and SALSMN
* are all printed.
*
OPRINT D 44 1
0 INVOIC 10
0 AMOUNT 18
0 CUSTR 65
0 SALSMN 85
*
* A control level indicator is used to condition when a field should
* be printed. When indicator 44 is on, fields INVOIC, AMOUNT, and
* CUSTR are always printed. However, SALSMN is printed for the
* first record of a new control group only if 44 and L1 are on.
*
OPRINT D 44 1
0 INVOIC 10
0 AMOUNT 18
0 CUSTR 65
0 L1 SALSMN 85

```

Figure 22. Output Indicators

```

*...1....+...2....+...3....+...4....+...5....+...6....+...7...
OFilename++DF..N01N02N03Excnam++++B++A++Sb+Sa+.....
O.....N01N02N03Field+++++++YB.End++PConstant/editword/DTformat
*
* The 1P indicator is used when headings are to be printed
* on the first page only.
*
OPRINT H 1P 3
0 8 'ACCOUNT'
*
* The 1P indicator and an overflow indicator can be used to print
* headings on every page.
*
OPRINT H 1P 3 1
0 OR OF
0 8 'ACCOUNT'

```

Figure 23. 1P Indicator

## Indicators Referred to As Data

```

*...1....+...2....+...3....+...4....+...5....+...6....+...7...
IFilename++SqNORiPos1+NCCPos2+NCCPos3+NCC.....
I.....Fmt+SPFrom+To+++DcField+++++++L1M1FrP1MnZr....
*
* When an error condition (zero in FIELDB) is found, the halt
* indicator is set on.
*
IDISK AA 01
I 1 3 FIELDA L1
I 4 8 0FIELDB H1
CL0N01Factor1+++++Opcode(E)+Factor2+++++Result+++++Len++D+HiLoEq..
*
* When H1 is on, all calculations are bypassed.
*
C H1 GOTO END
C :
C : Calculations
C :
C END TAG
OFilename++DF..N01N02N03Excnam++++B++A++Sb+Sa+.....
O.....N01N02N03Field+++++++YB.End++PConstant/editword/DTformat
*
* FIELDA and FIELDB are printed only if H1 is not on.
* Use this general format when you do not want information that
* is in error to be printed.
*
OPRINT H L1 0 2 01
O D 01NH1 1 0
O FIELDA 5
O FIELDB Z 15

```

Figure 24. Preventing Fields from Printing

## Indicators Referred to As Data

An alternative method of referring to and manipulating RPG IV indicators is provided by the RPG IV reserved words `*IN` and `*INxx`.

### `*IN`

The array `*IN` is a predefined array of 99 one-position, character elements representing the indicators 01 through 99. The elements of the array should contain only the character values '0' (zero) or '1' (one).

The specification of the `*IN` array or the `*IN(xx)` variable-index array element as a field in an input record, as a result field, or as factor 1 in a PARM operation defines indicators 01 through 99 for use in the program.

The operations or references valid for an array of single character elements are valid with the array `*IN` except that the array `*IN` cannot be specified as a subfield in a data structure, or as a result field of a PARM operation.

### `*INxx`

The field `*INxx` is a predefined one-position character field where `xx` represents any one of the RPG IV indicators except 1P or MR.

The specification of the `*INxx` field or the `*IN(n)` fixed-index array element (where  $n = 1 - 99$ ) as a field in an input record, as a result field, or as factor 1 in a PARM operation defines the corresponding indicator for use in the program.

You can specify the field \*INxx wherever a one-position character field is valid except that \*INxx cannot be specified as a subfield in a data structure, as the result field of a PARM operation, or in a SORTA operation.

### Additional Rules

Remember the following rules when you are working with the array \*IN, the array element \*IN(xx) or the field \*INxx:

- Moving a character '0' (zero) or \*OFF to any of these fields sets the corresponding indicator off.
- Moving a character '1' (one) or \*ON to any of these fields sets the corresponding indicator on.
- Do not move any value, other than '0' (zero) or '1' (one), to \*INxx. Any subsequent normal RPG IV indicator tests may yield unpredictable results.
- If you take the address of \*IN, \*IN01 - \*IN99, or \*IN(index), indicators \*IN01 to \*IN99 will be defined. If you take the address of any other indicator, such as \*INLR or \*INL1, only that indicator will be defined.

See Figure 25 for some examples of indicators referred to as data.

```

*...1....+....2....+....3....+....4....+....5....+....6....+....7...
CLON01Factor1+++++Opcode(E)+Factor2+++++Result+++++Len++D+HiLoEq..
*
* When this program is called, a single parameter is passed to
* control some logic in the program. The parameter sets the value
* of indicator 50. The parameter must be passed with a character
* value of 1 or 0.
*
C *ENTRY PLIST
C *IN50 PARM SWITCH 1
*
*
* Subroutine SUB1 uses indicators 61 through 68. Before the
* subroutine is processed, the status of these indicators used in
* the mainline program is saved. (Assume that the indicators are
* set off in the beginning of the subroutine.) After the subroutine
* is processed, the indicators are returned to their original state.
*
C MOVEA *IN(61) SAV8 8
C EXSR SUB1
C MOVEA SAV8 *IN(61)
*
* A code field (CODE) contains a numeric value of 1 to 5 and is
* used to set indicators 71 through 75. The five indicators are set
* off. Field X is calculated as 70 plus the CODE field. Field X is
* then used as the index into the array *IN. Different subroutines
* are then used based on the status of indicators 71 through 75.
*
C MOVEA '00000' *IN(71)
C 70 ADD CODE X 3 0
C MOVE *ON *IN(X)
C 71 EXSR CODE1
C 72 EXSR CODE2
C 73 EXSR CODE3
C 74 EXSR CODE4
C 75 EXSR CODE5

```

Figure 25. Examples of Indicators Referred to as Data

## Summary of Indicators

### Summary of Indicators

Table 17 and Table 18 on page 63 show summaries of where RPG IV indicators are defined, what the valid entries are, where the indicators are used, and when the indicators are set on and off. Table 18 indicates the primary condition that causes each type of indicator to be set on and set off by the RPG IV program. "Function Key Indicators" on page 52 lists the function key indicators and the corresponding function keys.

Table 17. Indicator Entries and Uses

|                 | Where Defined/Used                                                  | 01-99 | 1P             | H1-H9 | L1-L9 | LR | MR | OA-OG<br>OV    | U1-U8 | KA-KN<br>KP-KY | RT |
|-----------------|---------------------------------------------------------------------|-------|----------------|-------|-------|----|----|----------------|-------|----------------|----|
| User<br>Defined | Overflow indicator, file description specifications, OFLIND keyword | X     |                |       |       |    |    | X              |       |                |    |
|                 | Record identifying indicator input specifications, positions 21-22  | X     |                | X     | X     | X  |    |                | X     |                | X  |
|                 | Control level, input specifications, positions 63-64                |       |                |       | X     |    |    |                |       |                |    |
|                 | Field level, input specifications, positions 69-74                  | X     |                | X     |       |    |    |                | X     |                | X  |
|                 | Resulting indicator, calculation specifications, positions 71-76    | X     |                | X     | X     | X  |    | X <sup>1</sup> | X     | X <sup>2</sup> | X  |
| RPG<br>Defined  | Internal Indicator                                                  |       | X              |       |       | X  | X  |                |       |                | X  |
|                 | External Indicator                                                  |       |                |       |       |    |    |                | X     |                |    |
| Used            | File conditioning, file description specifications                  |       |                |       |       |    |    |                | X     |                |    |
|                 | File record relation, input specifications 67-68 <sup>3</sup>       | X     |                | X     | X     |    | X  |                | X     |                | X  |
|                 | Control level, calculation specifications, positions 7-8            |       |                |       | X     | X  |    |                |       |                |    |
|                 | Conditioning indicators, calculation specifications, positions 9-11 | X     |                | X     | X     | X  | X  | X              | X     | X              | X  |
|                 | Output indicators, output specifications, positions 21-29           | X     | X <sup>4</sup> | X     | X     | X  | X  | X              | X     | X              | X  |

Table 17. Indicator Entries and Uses (continued)

|                                                                                                                                                                                   | Where Defined/Used | 01-99 | 1P | H1-H9 | L1-L9 | LR | MR | OA-OG<br>OV | U1-U8 | KA-KN<br>KP-KY | RT |
|-----------------------------------------------------------------------------------------------------------------------------------------------------------------------------------|--------------------|-------|----|-------|-------|----|----|-------------|-------|----------------|----|
| <b>Notes:</b>                                                                                                                                                                     |                    |       |    |       |       |    |    |             |       |                |    |
| 1. The overflow indicator must be defined on the file description specification first.                                                                                            |                    |       |    |       |       |    |    |             |       |                |    |
| 2. KA through KN and KP through KY can be used as resulting indicators only with the SETOFF operation.                                                                            |                    |       |    |       |       |    |    |             |       |                |    |
| 3. Only a record identifying indicator from a main or OR record can be used to condition a control or match field. L1 or L9 cannot be used to condition a control or match field. |                    |       |    |       |       |    |    |             |       |                |    |
| 4. The 1P indicator is allowed only on heading and detail lines.                                                                                                                  |                    |       |    |       |       |    |    |             |       |                |    |

Table 18. When Indicators Are Set On and Off by the RPG IV Logic Cycle

| Type of Indicator      | Set On                                                                                                                                                             | Set Off                                                                                                                                                                                  |
|------------------------|--------------------------------------------------------------------------------------------------------------------------------------------------------------------|------------------------------------------------------------------------------------------------------------------------------------------------------------------------------------------|
| Overflow               | When printing on or spacing or skipping past the overflow line.                                                                                                    | OA-OG, OV: After the following heading and detail lines are completed, or after the file is opened unless the H-specification keyword OPENOPT(*NOINZOFL) is used.<br>01-99: By the user. |
| Record identifying     | When specified primary / secondary record has been read and before total calculations are processed; immediately after record is read from a full procedural file. | Before the next primary/secondary record is read during the next processing cycle.                                                                                                       |
| Control level          | When the value in a control field changes. All lower level indicators are also set on.                                                                             | At end of following detail cycle.                                                                                                                                                        |
| Field indicator        | By blank or zero in specified fields, by plus in specified field, or by minus in specified field.                                                                  | Before this field status is to be tested the next time.                                                                                                                                  |
| Resulting              | When the calculation is processed and the condition that the indicator represents is met.                                                                          | The next time a calculation is processed for which the same indicator is specified as a resulting indicator and the specified condition is not met.                                      |
| Function key           | When the corresponding function key is pressed for WORKSTN files and at subsequent reads to associated subfiles.                                                   | By SETOFF or move fields logic for a WORKSTN file.                                                                                                                                       |
| External U1-U8         | By CL command prior to beginning the program, or when used as a resulting or a field indicator.                                                                    | By CL command prior to beginning the program, or when used as a resulting or when used as a resulting or a field indicator.                                                              |
| H1-H9                  | As specified by programmer.                                                                                                                                        | When the continue option is selected as a response to a message, or by the programmer.                                                                                                   |
| RT                     | As specified by programmer.                                                                                                                                        | When the program is called again.                                                                                                                                                        |
| Internal Indicators 1P | At beginning of processing before any input records are read.                                                                                                      | Before the first record is read.                                                                                                                                                         |
| LR                     | After processing the last primary/secondary record of the last file or by the programmer.                                                                          | At the beginning of processing, or by the programmer.                                                                                                                                    |
| MR                     | If the match field contents of the record of a secondary file correspond to the match field contents of a record in the primary file.                              | When all total calculations and output are completed for the last record of the matching group.                                                                                          |

## Summary of Indicators

---

## Chapter 5. File and Program Exception/Errors

RPG categorizes exception/errors into two classes: program and file. Information on file and program exception/errors is made available to an RPG IV program using file information data structures and program status data structures, respectively. File and Program exception/error subroutines may be specified to handle these types of exception/errors.

---

### File Exception/Errors

Some examples of file exception/errors are: undefined record type, an error in trigger program, an I/O operation to a closed file, a device error, and an array/table load sequence error. They can be handled in one of the following ways:

- The operation code extender 'E' can be specified. When specified, before the operation begins, this extender sets the %ERROR and %STATUS built-in functions to return zero. If an exception/error occurs during the operation, then after the operation %ERROR returns '1' and %STATUS returns the file status. The optional file information data structure is updated with the exception/error information. You can determine the action to be taken by testing %ERROR and %STATUS.
- An indicator can be specified in positions 73 and 74 of the calculation specifications for an operation code. This indicator is set on if an exception/error occurs during the processing of the specified operation. The optional file information data structure is updated with the exception/error information. You can determine the action to be taken by testing the indicator.
- ON-ERROR groups can be used to handle errors for statements processed within a MONITOR block. If an error occurs when a statement is processed, control passes to the appropriate ON-ERROR group.
- You can create a user-defined ILE exception handler that will take control when an exception occurs. For more information, see *WebSphere Development Studio: ILE RPG Programmer's Guide*.
- A file exception/error subroutine can be specified. The subroutine is defined by the INFSR keyword on a file description specification with the name of the subroutine that is to receive the control. Information regarding the file exception/error is made available through a file information data structure that is specified with the INFDS keyword on the file description specification. You can also use the %STATUS built-in function, which returns the most recent value set for the program or file status. If a file is specified, %STATUS returns the value contained in the INFDS \*STATUS field for the specified file.
- If the indicator, 'E' extender, MONITOR block, or file exception/error subroutine is not present, any file exception/errors are handled by the RPG IV default error handler.

### File Information Data Structure

A file information data structure (INFDS) can be defined for each file to make file exception/error and file feedback information available to the program. The file information data structure, which must be unique for each file, must be defined in the main source section. The same INFDS is used by all procedures using the files.

The INFDS contains the following feedback information:

## File Exception/Errors

- File Feedback (length is 80)
- Open Feedback (length is 160)
- Input/Output Feedback (length is 126)
- Device Specific Feedback (length is variable)
- Get Attributes Feedback (length is variable)

**Note:** The get attributes feedback uses the same positions in the INFDS as the input/output feedback and device specific feedback. This means that if you have a get attributes feedback, you cannot have input/output feedback or device feedback, and vice versa.

The length of the INFDS depends on what fields you have declared in your INFDS. The minimum length of the INFDS is 80.

### File Feedback Information

The file feedback information starts in position 1 and ends in position 80 in the file information data structure. The file feedback information contains data about the file which is specific to RPG. This includes information about the error/exception that identifies:

- The name of the file for which the exception/error occurred
- The record being processed when the exception/error occurred or the record that caused the exception/error
- The last operation being processed when the exception/error occurred
- The status code
- The RPG IV routine in which the exception/error occurred.

The fields from position 1 to position 66 in the file feedback section of the INFDS are always provided and updated even if INFDS is not specified in the program. The fields from position 67 to position 80 of the file feedback section of the INFDS are only updated after a POST operation to a specific device.

If INFDS is not specified, the information in the file feedback section of the INFDS can be output using the DUMP operation. For more information see "DUMP (Program Dump)" on page 625.

Overwriting the file feedback section of the INFDS may cause unexpected results in subsequent error handling and is not recommended.

The location of some of the more commonly used subfields in the file feedback section of the INFDS is defined by special keywords. The contents of the file feedback section of the INFDS along with the special keywords and their descriptions can be found in the following tables:

*Table 19. Contents of the File Feedback Information Available in the File Information Data Structure (INFDS)*

| From (Pos. 26-32) | To (Pos. 33-39) | Format        | Length | Keyword | Information                                                                        |
|-------------------|-----------------|---------------|--------|---------|------------------------------------------------------------------------------------|
| 1                 | 8               | Character     | 8      | *FILE   | The first 8 characters of the file name.                                           |
| 9                 | 9               | Character     | 1      |         | Open indication (1 = open).                                                        |
| 10                | 10              | Character     | 1      |         | End of file (1 = end of file)                                                      |
| 11                | 15              | Zoned decimal | 5,0    | *STATUS | Status code. For a description of these codes, see "File Status Codes" on page 77. |



Table 19. Contents of the File Feedback Information Available in the File Information Data Structure (INFDS) (continued)

| From (Pos. 26-32) | To (Pos. 33-39) | Format        | Length | Keyword  | Information                                                                                                                                                                                                                                                                                                                                                                                                                                                                                                                                                                                                                                                                                                                                                                                                                                                                                                                                                                                        |
|-------------------|-----------------|---------------|--------|----------|----------------------------------------------------------------------------------------------------------------------------------------------------------------------------------------------------------------------------------------------------------------------------------------------------------------------------------------------------------------------------------------------------------------------------------------------------------------------------------------------------------------------------------------------------------------------------------------------------------------------------------------------------------------------------------------------------------------------------------------------------------------------------------------------------------------------------------------------------------------------------------------------------------------------------------------------------------------------------------------------------|
| 16                | 21              | Character     | 6      | *OPCODE  | <p>Operation code The first five positions (left-adjusted) specify the type of operation by using the character representation of the calculation operation codes. For example, if a READE was being processed, READE is placed in the leftmost five positions. If the operation was an implicit operation (for example, a primary file read or update on the output specifications), the equivalent operation code is generated (such as READ or UPDAT) and placed in location *OPCODE. Operation codes which have 6 letter names will be shortened to 5 letters.</p> <p><b>DELETE</b><br/>DELET</p> <p><b>EXCEPT</b><br/>EXCPT</p> <p><b>READPE</b><br/>REDPE</p> <p><b>UNLOCK</b><br/>UNLCK</p> <p><b>UPDATE</b><br/>UPDAT</p> <p>The remaining position contains one of the following:</p> <p><b>F</b> The last operation was specified for a file name.</p> <p><b>R</b> The last operation was specified for a record.</p> <p><b>I</b> The last operation was an implicit file operation.</p> |
| 22                | 29              | Character     | 8      | *ROUTINE | First 8 characters of the name of the routine (including a subprocedure) in which the file operation was done.                                                                                                                                                                                                                                                                                                                                                                                                                                                                                                                                                                                                                                                                                                                                                                                                                                                                                     |
| 30                | 37              | Character     | 8      |          | If OPTION(*NOSRCSTMT) is specified, this is the source listing line number of the file operation. If OPTION(*SRCSTMT) is specified, this is the source listing statement number of the file operation. The full statement number is included when it applies to the root source member. If the statement number is greater than 6 digits, that is, it includes a source ID other than zero, the first 2 positions of the 8-byte feedback area will have a "+" indicating that the rest of the statement number is stored in positions 53-54.                                                                                                                                                                                                                                                                                                                                                                                                                                                       |
| 38                | 42              | Zoned decimal | 5,0    |          | User-specified reason for error on SPECIAL file.                                                                                                                                                                                                                                                                                                                                                                                                                                                                                                                                                                                                                                                                                                                                                                                                                                                                                                                                                   |

## File Exception/Errors

Table 19. Contents of the File Feedback Information Available in the File Information Data Structure (INFDS) (continued)

| From (Pos. 26-32) | To (Pos. 33-39) | Format    | Length | Keyword | Information                                                                                                                                                                                                                                                                                   |
|-------------------|-----------------|-----------|--------|---------|-----------------------------------------------------------------------------------------------------------------------------------------------------------------------------------------------------------------------------------------------------------------------------------------------|
| 38                | 45              | Character | 8      | *RECORD | For a program described file the record identifying indicator is placed left-adjusted in the field; the remaining six positions are filled with blanks. For an externally described file, the first 8 characters of the name of the record being processed when the exception/error occurred. |
| 46                | 52              | Character | 7      |         | Machine or system message number.                                                                                                                                                                                                                                                             |
| 53                | 66              | Character | 14     |         | Unused.                                                                                                                                                                                                                                                                                       |
| 77                | 78              | Binary    | 2      |         | Source Id matching the statement number from positions 30-37.                                                                                                                                                                                                                                 |

Table 20. Contents of the File Feedback Information Available in the File-Information Data Structure (INFDS) Valid after a POST

| From (Pos. 26-32) | To (Pos. 33-39) | Format        | Length | Keyword | Information                                                                                                                                        |
|-------------------|-----------------|---------------|--------|---------|----------------------------------------------------------------------------------------------------------------------------------------------------|
| 67                | 70              | Zoned decimal | 4,0    | *SIZE   | Screen size (product of the number of rows and the number of columns on the device screen).                                                        |
| 71                | 72              | Zoned decimal | 2,0    | *INP    | The display's keyboard type. Set to 00 if the keyboard is alphanumeric or katakana. Set to 10 if the keyboard is ideographic.                      |
| 73                | 74              | Zoned decimal | 2,0    | *OUT    | The display type. Set to 00 if the display is alphanumeric or katakana. Set to 10 if the display is ideographic. Set to 20 if the display is DBCS. |
| 75                | 76              | Zoned decimal | 2,0    | *MODE   | Always set to 00.                                                                                                                                  |

**INFDS File Feedback Example:** To specify an INFDS which contains fields in the file feedback section, you can make the following entries:

- Specify the INFDS keyword on the file description specification with the name of the file information data structure
- Specify the file information data structure and the subfields you wish to use on a definition specification.
- Specify special keywords left-adjusted, in the FROM field (positions 26-32) on the definition specification, or specify the positions of the fields in the FROM field (position 26-32) and the TO field (position 33-39).

| FFilename++IPEASFRlen+LK1en+AIDevice+. Keywords+++++Comments+++++ |                           |
|-------------------------------------------------------------------|---------------------------|
| FMYFILE IF E DISK INFDS (FILEFBK)                                 |                           |
| DName+++++ETDsFrom+++To/L+++IDc. Keywords+++++Comments+++++       |                           |
| D FILEFBK                                                         | DS                        |
| D FILE                                                            | *FILE * File name         |
| D OPEN_IND                                                        | 9 9N * File open?         |
| D EOF_IND                                                         | 10 10N * File at eof?     |
| D STATUS                                                          | *STATUS * Status code     |
| D OPCODE                                                          | *OPCODE * Last opcode     |
| D ROUTINE                                                         | *ROUTINE * RPG Routine    |
| D LIST_NUM                                                        | 30 37 * Listing line      |
| D SPCL_STAT                                                       | 38 42S 0 * SPECIAL status |
| D RECORD                                                          | *RECORD * Record name     |
| D MSGID                                                           | 46 52 * Error MSGID       |
| D SCREEN                                                          | *SIZE * Screen size       |
| D NLS_IN                                                          | *INP * NLS Input?         |
| D NLS_OUT                                                         | *OUT * NLS Output?        |
| D NLS_MODE                                                        | *MODE * NLS Mode?         |

Figure 26. Example of Coding an INFDS with File Feedback Information

**Note:** The keywords are not labels and cannot be used to access the subfields. Short entries are padded on the right with blanks.

### Open Feedback Information

Positions 81 through 240 in the file information data structure contain open feedback information. The contents of the file open feedback area are copied by RPG to the open feedback section of the INFDS whenever the file associated with the INFDS is opened. This includes members opened as a result of a read operation on a multi-member processed file.

A description of the contents of the open feedback area, and what file types the fields are valid for, can be found in the iSeries Information Center.

**INFDS Open Feedback Example:** To specify an INFDS which contains fields in the open feedback section, you can make the following entries:

- Specify the INFDS keyword on the file description specification with the name of the file information data structure
- Specify the file information data structure and the subfields you wish to use on a definition specification.
- Use information in the iSeries Information Center database and file systems category to determine which fields you wish to include in the INFDS. To calculate the From and To positions (positions 26 through 32 and 33 through 39 of the definition specifications) that specify the subfields of the open feedback section of the INFDS, use the Offset, Data Type, and Length given in the Information Center and do the following calculations:

```

From = 81 + Offset
To = From - 1 + Character_Length
Character_Length = Length (in bytes)

```

For example, for overflow line number of a printer file, the Information Center gives:

```

Offset = 107
Data Type is binary
Length = 2
Therefore,
From = 81 + 107 = 188,
To = 188 - 1 + 2 = 189.
See subfield OVERFLOW in example below

```

## File Exception/Errors

| FFilename++IPEASFRIen+LK1en+AIDevice+. Keywords+++++Comments+++++ |     |        |                        |
|-------------------------------------------------------------------|-----|--------|------------------------|
| DName+++++ETDsFrom+++To/L+++IDc. Keywords+++++Comments+++++       |     |        |                        |
| FMYFILE                                                           | 0   | F 132  | PRINTER INFDS (OPNFBK) |
| DOPNFBK DS                                                        |     |        |                        |
| D ODP_TYPE                                                        | 81  | 82     | * ODP Type             |
| D FILE_NAME                                                       | 83  | 92     | * File name            |
| D LIBRARY                                                         | 93  | 102    | * Library name         |
| D SPOOL_FILE                                                      | 103 | 112    | * Spool file name      |
| D SPOOL_LIB                                                       | 113 | 122    | * Spool file lib       |
| D SPOOL_NUM                                                       | 123 | 124I 0 | * Spool file num       |
| D RCD_LEN                                                         | 125 | 126I 0 | * Max record len       |
| D KEY_LEN                                                         | 127 | 128I 0 | * Max key len          |
| D MEMBER                                                          | 129 | 138    | * Member name          |
| D TYPE                                                            | 147 | 148I 0 | * File type            |
| D ROWS                                                            | 152 | 153I 0 | * Num PRT/DSP rows     |
| D COLUMNS                                                         | 154 | 155I 0 | * Num PRT/DSP cols     |
| D NUM_RCDS                                                        | 156 | 159I 0 | * Num of records       |
| D ACC_TYPE                                                        | 160 | 161    | * Access type          |
| D DUP_KEY                                                         | 162 | 162    | * Duplicate key?       |
| D SRC_FILE                                                        | 163 | 163    | * Source file?         |
| D VOL_OFF                                                         | 184 | 185I 0 | * Vol label offset     |
| D BLK_RCDS                                                        | 186 | 187I 0 | * Max rclds in blk     |
| D OVERFLOW                                                        | 188 | 189I 0 | * Overflow line        |
| D BLK_INCR                                                        | 190 | 191I 0 | * Blk increment        |
| D FLAGS1                                                          | 196 | 196    | * Misc flags           |
| D REQUESTER                                                       | 197 | 206    | * Requester name       |
| D OPEN_COUNT                                                      | 207 | 208I 0 | * Open count           |
| D BASED_MBRs                                                      | 211 | 212I 0 | * Num based mbrs       |
| D FLAGS2                                                          | 213 | 213    | * Misc flags           |
| D OPEN_ID                                                         | 214 | 215    | * Open identifier      |
| D RCDfmt_LEN                                                      | 216 | 217I 0 | * Max rcd fmt len      |
| D CCSID                                                           | 218 | 219I 0 | * Database CCSID       |
| D FLAGS3                                                          | 220 | 220    | * Misc flags           |
| D NUM_DEVS                                                        | 227 | 228I 0 | * Num devs defined     |

Figure 27. Example of Coding an INFDS with Open Feedback Information

### Input/Output Feedback Information

Positions 241 through 366 in the file information data structure are used for input/output feedback information. The contents of the file common input/output feedback area are copied by RPG to the input/output feedback section of the INFDS:

- If a POST for any file with factor 1 blank has been specified anywhere in your program:
  - only after a POST for the file.
- If a POST for any file with factor 1 blank has not been specified anywhere in your program:
  - after each I/O operation, if blocking is not active for the file.
  - after the I/O request to data management to get or put a block of data, if blocking is active for the file.

For more information see “POST (Post)” on page 726.

A description of the contents of the input/output feedback area can be found in the Information Center.

**INFDS Input/Output Feedback Example:** To specify an INFDS which contains fields in the input/output feedback section, you can make the following entries:

- Specify the INFDS keyword on the file description specification with the name of the file information data structure
- Specify the file information data structure and the subfields you wish to use on a definition specification.
- Use information in the Information Center to determine which fields you wish to include in the INFDS. To calculate the From and To positions (positions 26 through 32 and 33 through 39 of the definition specifications) that specify the subfields of the input/output feedback section of the INFDS, use the Offset, Data Type, and Length given in the Information Center and do the following calculations:

```

From = 241 + Offset
To = From - 1 + Character_Length
Character_Length = Length (in bytes)

```

For example, for device class of a file, the Information Center gives:

```

Offset = 30
Data Type is character
Length = 2

```

Therefore,

```

From = 241 + 30 = 271,
To = 271 - 1 + 2 = 272.

```

See subfield DEV\_CLASS in example below

| FFilename++IPEASFRlen+LKlen+AIDevice+. Keywords+++++Comments+++++ |
|-------------------------------------------------------------------|
| <b>FMYFILE IF E DISK INFDS(MYIOFBK)</b>                           |
| DName+++++ETDsFrom+++To/L+++IDc. Keywords+++++Comments+++++       |
| <b>DMYIOFBK DS</b>                                                |
| <b>D</b>                                                          |
| <b>D WRITE_CNT 243 246I 0 * 241-242 not used</b>                  |
| <b>D READ_CNT 247 250I 0 * Write count</b>                        |
| <b>D WRTRD_CNT 251 254I 0 * Read count</b>                        |
| <b>D OTHER_CNT 255 258I 0 * Write/read count</b>                  |
| <b>D OPERATION 260 260 * Other I/O count</b>                      |
| <b>D IO_RCD_FMT 261 270 * Cuurent operation</b>                   |
| <b>D DEV_CLASS 271 272 * Rcd format name</b>                      |
| <b>D IO_PGM_DEV 273 282 * Device class</b>                        |
| <b>D IO_RCD_LEN 283 286I 0 * Pgm device name</b>                  |
| <b>* Rcd len of I/O</b>                                           |

Figure 28. Example of Coding an INFDS with Input/Output Feedback Information

### Device Specific Feedback Information

The device specific feedback information in the file information data structure starts at position 367 in the INFDS, and contains input/output feedback information specific to a device.

The length of the INFDS when device specific feedback information is required, depends on two factors: the device type of the file, and on whether DISK files are keyed or not. The minimum length is 528; but some files require a longer INFDS.

- For WORKSTN files, the INFDS is long enough to hold the device-specific feedback information for any type of display or ICF file starting at position 241. For example, if the longest device-specific feedback information requires 390 bytes, the INFDS for WORKSTN files is 630 bytes long (240+390=630).
- For externally described DISK files, the INFDS is at least long enough to hold the longest key in the file beginning at position 401.

More information on the contents and length of the device feedback for database file, printer files, ICF and display files can be found in the iSeries Information Center database and file systems category.

## File Exception/Errors

The contents of the device specific input/output feedback area of the file are copied by RPG to the device specific feedback section of the INFDS:

- If a POST for any file with factor 1 blank has been specified anywhere in your program:
  - only after a POST for the file.
- If a POST for any file with factor 1 blank has not been specified anywhere in your program:
  - after each I/O operation, if blocking is not active for the file.
  - after the I/O request to data management to get or put a block of data, if blocking is active for the file.

### Notes:

1. After each keyed input operation, only the key fields will be updated.
2. After each non-keyed input operation, only the relative record number will be updated.

For more information see “POST (Post)” on page 726.

**INFDS Device Specific Feedback Examples:** To specify an INFDS which contains fields in the device-specific feedback section, you can make the following entries:

- Specify the INFDS keyword on the file description specification with the name of the file information data structure
- Specify the file information data structure and the subfields you wish to use on a definition specification.
- Use information in the Information Center to determine which fields you wish to include in the INFDS. To calculate the From and To positions (positions 26 through 32 and 33 through 39 of the definition specifications) that specify the subfields of the input/output feedback section of the INFDS, use the Offset, Data Type, and Length given in the Information Center and do the following calculations:

```
From = 367 + Offset
To = From - 1 + Character_Length
Character_Length = Length (in bytes)
```

For example, for relative record number of a data base file, the Information Center gives:

```
Offset = 30
Data Type is binary
Length = 4
```

Therefore,

```
From = 367 + 30 = 397,
To = 397 - 1 + 4 = 400.
```

See subfield DB\_RRN in DBFBK data structure in example below

```

FFilename++IPEASFRlen+LKlen+AIDevice+.Keywords+++++Comments+++++
FMYFILE 0 F 132 PRINTER INFDS (PRTFBK)
DName+++++ETDsFrom+++To/L+++IDc.Keywords+++++Comments+++++
DPRTFBK DS
D CUR_LINE 367 368I 0 * Current line num
D CUR_PAGE 369 372I 0 * Current page cnt
* If the first bit of PRT_FLAGS is on, the spooled file has been
* deleted. Use TESTB X'80' or TESTB '0' to test this bit.
D PRT_FLAGS 373 373
D PRT_MAJOR 401 402 * Major ret code
D PRT_MINOR 403 404 * Minor ret code

```

Figure 29. Example of Coding an INFDS with Printer Specific Feedback Information

```

FFilename++IPEASFRlen+LKlen+AIDevice+.Keywords+++++Comments+++++
FMYFILE IF E DISK INFDS (DBFBK)
DName+++++ETDsFrom+++To/L+++IDc.Keywords+++++Comments+++++
DDBFBK DS
D FDBK_SIZE 367 370I 0 * Size of DB fdbk
D JOIN_BITS 371 374I 0 * JFILE bits
D LOCK_RCDS 377 378I 0 * Nbr locked rcds
D POS_BITS 385 385 * File pos bits
D DLT_BITS 384 384 * Rcd deleted bits
D NUM_KEYS 387 388I 0 * Num keys (bin)
D KEY_LEN 393 394I 0 * Key length
D MBR_NUM 395 396I 0 * Member number
D DB_RRN 397 400I 0 * Relative-rcd-num
D KEY 401 2400 * Key value (max
D * size 2000)

```

Figure 30. Example of Coding an INFDS with Database Specific Feedback Information

```

FFilename++IPEASFRlen+LKlen+AIDevice+.Keywords+++++Comments+++++
FMYFILE CF E WORKSTN INFDS (ICFFBK)
DName+++++ETDsFrom+++To/L+++IDc.Keywords+++++Comments+++++
DICFFBK DS
D ICF_AID 369 369 * AID byte
D ICF_LEN 372 375I 0 * Actual data len
D ICF_MAJOR 401 402 * Major ret code
D ICF_MINOR 403 404 * Minor ret code
D SNA_SENSE 405 412 * SNA sense rc
D SAFE_IND 413 413 * Safe indicator
D RQSWRT 415 415 * Request write
D RMT_FMT 416 425 * Remote rcd fmt
D ICF_MODE 430 437 * Mode name

```

Figure 31. Example of Coding an INFDS with ICF Specific Feedback Information

## File Exception/Errors

|                                                                      |      |                        |                    |
|----------------------------------------------------------------------|------|------------------------|--------------------|
| FFilename++IPEASFRIen+LK1en+AIDevice+.Keywords+++++++Comments+++++++ |      |                        |                    |
| FMYFILE                                                              | CF E | WORKSTN INFDS (DSPFBK) |                    |
| DName+++++++ETDsFrom+++To/L+++IDc.Keywords+++++++Comments+++++++     |      |                        |                    |
| DDSPFBK                                                              | DS   |                        |                    |
| D DSP_FLAG1                                                          |      | 367 368                | * Display flags    |
| D DSP_AID                                                            |      | 369 369                | * AID byte         |
| D CURSOR                                                             |      | 370 371                | * Cursor location  |
| D DATA_LEN                                                           |      | 372 375I 0             | * Actual data len  |
| D SF_RRN                                                             |      | 376 377I 0             | * Subfile rrn      |
| D MIN_RRN                                                            |      | 378 379I 0             | * Subfile min rrn  |
| D NUM_RCDS                                                           |      | 380 381I 0             | * Subfile num rcds |
| D ACT_CURS                                                           |      | 382 383                | * Active window    |
| D                                                                    |      |                        | * cursor location  |
| D DSP_MAJOR                                                          |      | 401 402                | * Major ret code   |
| D DSP_MINOR                                                          |      | 403 404                | * Minor ret code   |

Figure 32. Example of Coding an INFDS with Display Specific Feedback Information

### Get Attributes Feedback Information

The get attributes feedback information in the file information data structure starts at position 241 in the INFDS, and contains information about a display device or ICF session (a device associated with a WORKSTN file). The end position of the get attributes feedback information depends on the length of the data returned by a get attributes data management operation. The get attributes data management operation is performed when a POST with a program device specified for factor 1 is used.

More information about the contents and the length of the get attributes data can be found in the Information Center.

**INFDS Get Attributes Feedback Example:** To specify an INFDS which contains fields in the get attributes feedback section, you can make the following entries:

- Specify the INFDS keyword on the file description specification with the name of the file information data structure
- Specify the file information data structure and the subfields you wish to use on a definition specification.
- Use information in the Information Center to determine which fields you wish to include in the INFDS. To calculate the From and To positions (positions 26 through 32 and 33 through 39 of the definition specifications) that specify the subfields of the get attributes feedback section of the INFDS, use the Offset, Data Type, and Length given in the Information Center and do the following calculations:

```

From = 241 + Offset
To = From - 1 + Character_Length
Character_Length = Length (in bytes)

```

For example, for device type of a file, the Information Center gives:

```

Offset = 31
Data Type is character
Length = 6

```

Therefore,

```

From = 241 + 31 = 272,
To = 272 - 1 + 6 = 277.

```

See subfield DEV\_TYPE in example below



```

FFilename++IPEASFRIen+LK1en+AIDevice+.Keywords+++++++Comments+++++++
FMYFILE CF E WORKSTN INFDS (DSPATRFBK)
DName+++++++ETDsFrom+++To/L+++IDc. Keywords+++++++Comments+++++++
DDSPATRFBK DS
D PGM_DEV 241 250 * Program device
D DEV_DSC 251 260 * Dev description
D USER_ID 261 270 * User ID
D DEV_CLASS 271 271 * Device class
D DEV_TYPE 272 277 * Device type
D REQ_DEV 278 278 * Requester?
D ACQ_STAT 279 279 * Acquire status
D INV_STAT 280 280 * Invite status
D DATA_AVAIL 281 281 * Data available
D NUM_ROWS 282 283I 0 * Number of rows
D NUM_COLS 284 285I 0 * Number of cols
D BLINK 286 286 * Allow blink?
D LINE_STAT 287 287 * Online/offline?
D DSP_LOC 288 288 * Display location
D DSP_TYPE 289 289 * Display type
D KBD_TYPE 290 290 * Keyboard type
D CTL_INFO 342 342 * Controller info
D COLOR_DSP 343 343 * Color capable?
D GRID_DSP 344 344 * Grid line dsp?
* The following fields apply to ISDN.
D ISDN_LEN 385 386I 0 * Rmt number len
D ISDN_TYPE 387 388 * Rmt number type
D ISDN_PLAN 389 390 * Rmt number plan
D ISDN_NUM 391 430 * Rmt number
D ISDN_SLEN 435 436I 0 * Rmt sub-address
D * length
D ISDN_STYPE 437 438 * Rmt sub-address
D * type
D ISDN_SNUM 439 478 * Rmt sub-address
D ISDN_CON 480 480 * Connection
D ISDN_RLEN 481 482I 0 * Rmt address len
D ISDN_RNUM 483 514 * Rmt address
D ISDN_ELEN 519 520 * Extension len
D ISDN_ETYPE 521 521 * Extension type
D ISDN_ENUM 522 561 * Extension num
D ISDN_XTYPE 566 566 * X.25 call type
D

```

Figure 33. Example of Coding an INFDS with Display file Get Attributes Feedback Information

## File Exception/Errors

```

FFilename++IPEASFRlen+LKlen+AIDevice+.Keywords+++++++Comments+++++++
FMYFILE CF E WORKSTN INFDS (ICFATRFBK)
DName+++++++ETDsFrom+++To/L+++IDc.Keywords+++++++Comments+++++++
DICFATRFBK DS
D PGM_DEV 241 250 * Program device
D DEV_DSC 251 260 * Dev description
D USER_ID 261 270 * User ID
D DEV_CLASS 271 271 * Device class
D DEV_TYPE 272 272 * Device type
D REQ_DEV 278 278 * Requester?
D ACQ_STAT 279 279 * Acquire status
D INV_STAT 280 280 * Invite status
D DATA_AVAIL 281 281 * Data available
D SES_STAT 291 291 * Session status
D SYNC_LVL 292 292 * Synch level
D CONV_TYPE 293 293 * Conversation typ
D RMT_LOC 294 301 * Remote location
D LCL_LU 302 309 * Local LU name
D LCL_NETID 310 317 * Local net ID
D RMT_LU 318 325 * Remote LU
D RMT_NETID 326 333 * Remote net ID
D APPC_MODE 334 341 * APPC Mode
D LU6_STATE 345 345 * LU6 conv state
D LU6_COR 346 353 * LU6 conv
D * correlator
* The following fields apply to ISDN.
D ISDN_LEN 385 386I 0 * Rmt number len
D ISDN_TYPE 387 388 * Rmt number type
D ISDN_PLAN 389 390 * Rmt number plan
D ISDN_NUM 391 430 * Rmt number
D ISDN_SLEN 435 436I 0 * sub-addr len
D ISDN_STYPE 437 438 * sub-addr type
D ISDN_SNUM 439 478 * Rmt sub-address
D ISDN_CON 480 480 * Connection
D ISDN_RLEN 481 482I 0 * Rmt address len
D ISDN_RNUM 483 514 * Rmt address
D ISDN_ELEN 519 520 * Extension len
D ISDN_ETYPE 521 521 * Extension type
D ISDN_ENUM 522 561 * Extension num
D ISDN_XTYPE 566 566 * X.25 call type

* The following information is available only when program was started
* as result of a received program start request. (P_ stands for protected)
D TRAN_PGM 567 630 * Trans pgm name
D P_LUWIDLN 631 631 * LUWID fld len
D P_LUNAMELN 632 632 * LU-NAME len
D P_LUNAME 633 649 * LU-NAME
D P_LUWIDIN 650 655 * LUWID instance
D P_LUWIDSEQ 656 657I 0 * LUWID seq num

* The following information is available only when a protected conversation
* is started on a remote system. (U_ stands for unprotected)
D U_LUWIDLN 658 658 * LUWID fld len
D U_LUNAMELN 659 659 * LU-NAME len
D U_LUNAME 660 676 * LU-NAME
D U_LUWIDIN 677 682 * LUWID instance
D U_LUWIDSEQ 683 684I 0 * LUWID seq num

```

Figure 34. Example of Coding an INFDS with ICF file Get Attributes Feedback Information

## Blocking Considerations

The fields of the input/output specific feedback in the INFDS and in most cases the fields of the device specific feedback information section of the INFDS, are not updated for each operation to the file in which the records are blocked and unblocked. The feedback information is updated only when a block of records is transferred between an RPG program and the operating system. However, if you are doing blocked input on a data base file, the relative record number and the key value in the data base feedback section of the INFDS are updated:

- On every input/output operation, if a POST for any file with factor 1 blank has not been specified anywhere in your program.
- Only after a POST for the file, if a POST for any file with factor 1 blank has been specified anywhere in your program.

You can obtain valid updated feedback information by using the CL command OVRDBF (Override with Database File) with SEQONLY(\*NO) specified. If you use a file override command, the ILE RPG compiler does not block or unblock the records in the file.

For more information on blocking and unblocking of records in RPG see *WebSphere Development Studio: ILE RPG Programmer's Guide*.

## File Status Codes

Any code placed in the subfield location \*STATUS that is greater than 99 is considered to be an exception/error condition. When the status code is greater than 99; the error indicator — if specified in positions 73 and 74 — is set on, or the %ERROR built-in function — if the 'E' extender is specified — is set to return '1'; otherwise, the file exception/error subroutine receives control. Location \*STATUS is updated after every file operation.

You can use the %STATUS built-in function to get information on exception/errors. It returns the most recent value set for the program or file status. If a file is specified, %STATUS returns the value contained in the INFDS \*STATUS field for the specified file.

The codes in the following tables are placed in the subfield location \*STATUS for the file information data structure:

Table 21. Normal Codes

| Code                                                                                                                                                                                                                                                                                                                                                                                             | Device <sup>1</sup> | RC <sup>2</sup> | Condition                                                          |
|--------------------------------------------------------------------------------------------------------------------------------------------------------------------------------------------------------------------------------------------------------------------------------------------------------------------------------------------------------------------------------------------------|---------------------|-----------------|--------------------------------------------------------------------|
| 00000                                                                                                                                                                                                                                                                                                                                                                                            |                     |                 | No exception/error.                                                |
| 00002                                                                                                                                                                                                                                                                                                                                                                                            | W                   | n/a             | Function key used to end display.                                  |
| 00011                                                                                                                                                                                                                                                                                                                                                                                            | W,D,SQ              | 11xx            | End of file on a read (input).                                     |
| 00012                                                                                                                                                                                                                                                                                                                                                                                            | W,D,SQ              | n/a             | No-record-found condition on a CHAIN, SETLL, and SETGT operations. |
| 00013                                                                                                                                                                                                                                                                                                                                                                                            | W                   | n/a             | Subfile is full on WRITE operation.                                |
| <p><b>Note:</b> <sup>1</sup>"Device" refers to the devices for which the condition applies. The following abbreviations are used: P = PRINTER; D = DISK; W = WORKSTN; SP = SPECIAL; SQ = Sequential. The major/minor return codes under column RC apply only to WORKSTN files. <sup>2</sup>The formula mmnn is used to described major/minor return codes: mm is the major and nn the minor.</p> |                     |                 |                                                                    |

## File Exception/Errors

Table 22. Exception/Error Codes

| Code               | Device <sup>1</sup> | RC <sup>2</sup> | Condition                                                                                                                                                                |
|--------------------|---------------------|-----------------|--------------------------------------------------------------------------------------------------------------------------------------------------------------------------|
| 01011              | W,D,SQ              | n/a             | Undefined record type (input record does not match record identifying indicator).                                                                                        |
| 01021              | W,D,SQ              | n/a             | Tried to write a record that already exists (file being used has unique keys and key is duplicate, or attempted to write duplicate relative record number to a subfile). |
| 01022              | D                   | n/a             | Referential constraint error detected on file member.                                                                                                                    |
| 01023              | D,SQ                | n/a             | Error in trigger program before file operation performed.                                                                                                                |
| 01024              | D,SQ                | n/a             | Error in trigger program after file operation performed.                                                                                                                 |
| 01031              | W,D,SQ              | n/a             | Match field out of sequence.                                                                                                                                             |
| 01041              | n/a                 | n/a             | Array/table load sequence error.                                                                                                                                         |
| 01042              | n/a                 | n/a             | Array/table load sequence error. Alternate collating sequence used.                                                                                                      |
| 01051              | n/a                 | n/a             | Excess entries in array/table file.                                                                                                                                      |
| 01071              | W,D,SQ              | n/a             | Numeric sequence error.                                                                                                                                                  |
| 01121 <sup>4</sup> | W                   | n/a             | No indicator on the DDS keyword for Print key.                                                                                                                           |
| 01122 <sup>4</sup> | W                   | n/a             | No indicator on the DDS keyword for Roll Up key.                                                                                                                         |
| 01123 <sup>4</sup> | W                   | n/a             | No indicator on the DDS keyword for Roll Down key.                                                                                                                       |
| 01124 <sup>4</sup> | W                   | n/a             | No indicator on the DDS keyword for Clear key.                                                                                                                           |
| 01125 <sup>4</sup> | W                   | n/a             | No indicator on the DDS keyword for Help key.                                                                                                                            |
| 01126 <sup>4</sup> | W                   | n/a             | No indicator on the DDS keyword for Home key.                                                                                                                            |
| 01201              | W                   | 34xx            | Record mismatch detected on input.                                                                                                                                       |
| 01211              | all                 | n/a             | I/O operation to a closed file.                                                                                                                                          |
| 01215              | all                 | n/a             | OPEN issued to a file already opened.                                                                                                                                    |
| 01216 <sup>3</sup> | all                 | yes             | Error on an implicit OPEN/CLOSE operation.                                                                                                                               |
| 01217 <sup>3</sup> | all                 | yes             | Error on an explicit OPEN/CLOSE operation.                                                                                                                               |
| 01218              | D,SQ                | n/a             | Record already locked.                                                                                                                                                   |
| 01221              | D,SQ                | n/a             | Update operation attempted without a prior read.                                                                                                                         |
| 01222              | D,SQ                | n/a             | Record cannot be allocated due to referential constraint error                                                                                                           |
| 01231              | SP                  | n/a             | Error on SPECIAL file.                                                                                                                                                   |
| 01235              | P                   | n/a             | Error in PRTCTL space or skip entries.                                                                                                                                   |
| 01241              | D,SQ                | n/a             | Record number not found. (Record number specified in record address file is not present in file being processed.)                                                        |
| 01251              | W                   | 80xx 81xx       | Permanent I/O error occurred.                                                                                                                                            |
| 01255              | W                   | 82xx 83xx       | Session or device error occurred. Recovery may be possible.                                                                                                              |
| 01261              | W                   | n/a             | Attempt to exceed maximum number of acquired devices.                                                                                                                    |
| 01271              | W                   | n/a             | Attempt to acquire unavailable device                                                                                                                                    |
| 01281              | W                   | n/a             | Operation to unacquired device.                                                                                                                                          |
| 01282              | W                   | 0309            | Job ending with controlled option.                                                                                                                                       |
| 01284              | W                   | n/a             | Unable to acquire second device for single device file                                                                                                                   |
| 01285              | W                   | 0800            | Attempt to acquire a device already acquired.                                                                                                                            |
| 01286              | W                   | n/a             | Attempt to open shared file with SAVDS or IND options.                                                                                                                   |

Table 22. Exception/Error Codes (continued)

| Code  | Device <sup>1</sup> | RC <sup>2</sup> | Condition                                      |
|-------|---------------------|-----------------|------------------------------------------------|
| 01287 | W                   | n/a             | Response indicators overlap IND indicators.    |
| 01299 | W,D,SQ              | yes             | Other I/O error detected.                      |
| 01331 | W                   | 0310            | Wait time exceeded for READ from WORKSTN file. |

**Notes:**

1. "Device" refers to the devices for which the condition applies. The following abbreviations are used: P = PRINTER; D = DISK; W = WORKSTN; SP = SPECIAL; SQ = Sequential. The major/minor return codes under column RC apply only to WORKSTN files.
2. The formula mmnn is used to describe major/minor return codes: mm is the major and nn the minor.
3. Any errors that occur during an open or close operation will result in a \*STATUS value of 1216 or 1217 regardless of the major/minor return code value.
4. See Figure 9 on page 33 for special handling.

The following table shows the major/minor return code to \*STATUS value mapping for errors that occur to AS/400 programs using WORKSTN files only. See the Information Center for more information on major/minor return codes.

| Major | Minor              | *STATUS            |
|-------|--------------------|--------------------|
| 00,02 | all                | 00000              |
| 03    | all (except 09,10) | 00000              |
| 03    | 09                 | 01282              |
| 03    | 10                 | 01331              |
| 04    | all                | 01299              |
| 08    | all                | 01285 <sup>1</sup> |
| 11    | all                | 00011              |
| 34    | all                | 01201              |
| 80,81 | all                | 01251              |
| 82,83 | all                | 01255              |

**Notes:**

1. The return code field will not be updated for a \*STATUS value of 1285, 1261, or 1281 because these conditions are detected before calling data management. To monitor for these errors, you must check for the \*STATUS value and not for the corresponding major/minor return code value.

## File Exception/Error Subroutine (INFSR)

To identify the user-written RPG IV subroutine that may receive control following file exception/errors, specify the INFSR keyword on the File Description specification with the name of the subroutine that receives control when exception/errors occur on this file. The subroutine name can be \*PSSR, which indicates that the program exception/error subroutine is given control for the exception/errors on this file.

A file exception/error subroutine (INFSR) receives control when an exception/error occurs on an implicit (primary or secondary) file operation or on an explicit file operation that does not have an indicator specified in positions 73 and 74, does not have an (E) extender, and is not in the monitor block of a

## File Exception/Errors

MONITOR group that can handle the error. The file exception/error subroutine can also be run by the EXSR operation code. Any of the RPG IV operations can be used in the file exception/error subroutine. Factor 1 of the BEGSR operation and factor 2 of the EXSR operation must contain the name of the subroutine that receives control (same name as specified with the INFSR keyword on the file description specifications).

**Note:** The INFSR keyword cannot be specified if the keyword NOMAIN is specified on the control specification, or if the file is to be accessed by a subprocedure.

The ENDSR operation must be the last specification for the file exception/error subroutine and should be specified as follows:

### Position

|       | Entry                                                                                                                                                                                                                                   |
|-------|-----------------------------------------------------------------------------------------------------------------------------------------------------------------------------------------------------------------------------------------|
| 6     | C                                                                                                                                                                                                                                       |
| 7-11  | Blank                                                                                                                                                                                                                                   |
| 12-25 | Can contain a label that is used in a GOTO specification within the subroutine.                                                                                                                                                         |
| 26-35 | ENDSR                                                                                                                                                                                                                                   |
| 36-49 | Optional entry to designate where control is to be returned following processing of the subroutine. The entry must be a 6-position character field, literal, or array element whose value specifies one of the following return points. |

**Note:** If the return points are specified as literals, they must be enclosed in apostrophes. If they are specified as named constants, the constants must be character and must contain only the return point with no leading blanks. If they are specified in fields or array elements, the value must be left-adjusted in the field or array element.

### \*DETL

Continue at the beginning of detail lines.

### \*GETIN

Continue at the get input record routine.

### \*TOTC

Continue at the beginning of total calculations.

### \*TOTL

Continue at the beginning of total lines.

### \*OFL

Continue at the beginning of overflow lines.

### \*DETC

Continue at the beginning of detail calculations.

### \*CANCL

Cancel the processing of the program.

**Blanks** Return control to the RPG IV default error handler. This applies when factor 2 is a value of blanks and when factor 2 is not specified. If the subroutine was called by the EXSR operation and factor 2 is blank, control returns to the next sequential instruction. Blanks are only valid at runtime.

50-76 Blank.

Remember the following when specifying the file exception/error subroutine:

- The programmer can explicitly call the file exception/error subroutine by specifying the name of the subroutine in factor 2 of the EXSR operation.
- After the ENDSR operation of the file exception/error subroutine is run, the RPG IV language resets the field or array element specified in factor 2 to blanks. Thus, if the programmer does not place a value in this field during the processing of the subroutine, the RPG IV default error handler receives control following processing of the subroutine unless the subroutine was called by the EXSR operation. Because factor 2 is set to blanks, the programmer can specify the return point within the subroutine that is best suited for the exception/error that occurred. If the subroutine was called by the EXSR operation and factor 2 of the ENDSR operation is blank, control returns to the next sequential instruction following the EXSR operation. A file exception/error subroutine can handle errors in more than one file.
- If a file exception/error occurs during the start or end of a program, control passes to the RPG IV default error handler, and not to the user-written file exception/error or subroutine (INFSR).
- Because the file exception/error subroutine may receive control whenever a file exception/error occurs, an exception/error could occur while the subroutine is running if an I/O operation is processed on the file in error. If an exception/error occurs on the file already in error while the subroutine is running, the subroutine is called again; this will result in a program loop unless the programmer codes the subroutine to avoid this problem. One way to avoid such a program loop is to set a first-time switch in the subroutine. If it is not the first time through the subroutine, set on a halt indicator and issue the RETURN operation as follows:

## File Exception/Errors

```
*...1....+....2....+....3....+....4....+....5....+....6....+....7...
CLON01Factor1++++++Opcode(E)+Factor2++++++Result++++++Len++D+HiLoEq..
C* If INFSR is already handling the error, exit.
C ERRRTN BEGSR
C SW IFEQ '1'
C SETON H1
C RETURN
C* Otherwise, flag the error handler.
C ELSE
C MOVE '1' SW
C :
C :
C :
C ENDIF
C* End error processing.
C MOVE '0' SW
C ENDSR
```

Figure 35. Setting a First-time Switch

**Note:** It may not be possible to continue processing the file after an I/O error has occurred. To continue, it may be necessary to issue a CLOSE operation and then an OPEN operation to the file.

---

## Program Exception/Errors

Some examples of program exception/errors are: division by zero, SQRT of a negative number, invalid array index, error on a CALL, error return from called program, and start position or length out of range for a string operation. They can be handled in one of the following ways:

- The operation code extender 'E' can be specified for some operation codes. When specified, before the operation begins, this extender sets the %ERROR and %STATUS built-in functions to return zero. If an exception/error occurs during the operation, then after the operation %ERROR returns '1' and %STATUS returns the program status. The optional program status data structure is updated with the exception/error information. You can determine the action to be taken by testing %ERROR and %STATUS.
- An indicator can be specified in positions 73 and 74 of the calculation specifications for some operation codes. This indicator is set on if an exception/error occurs during the processing of the specified operation. The optional program status data structure is updated with the exception/error information. You can determine the action to be taken by testing the indicator.



- ON-ERROR groups can be used to handle errors for statements processed within a MONITOR block. If an error occurs when a statement is processed, control passes to the appropriate ON-ERROR group.
- You can create a user-defined ILE exception handler that will take control when an exception occurs. For more information, see *WebSphere Development Studio: ILE RPG Programmer's Guide*.
- A program exception/error subroutine can be specified. You enter \*PSSR in factor 1 of a BEGSR operation to specify this subroutine. Information regarding the program exception/error is made available through a program status data structure that is specified with an S in position 23 of the data structure statement on the definition specifications. You can also use the %STATUS built-in function, which returns the most recent value set for the program or file status.
- If the indicator, 'E' extender, monitor block, or program exception/error subroutine is not present, program exception/errors are handled by the RPG IV default error handler.

### Program Status Data Structure

A program status data structure (PSDS) can be defined to make program exception/error information available to an RPG IV program. The PSDS must be defined in the main source section; therefore, there is only one PSDS per module.

A data structure is defined as a PSDS by an S in position 23 of the data structure statement. A PSDS contains predefined subfields that provide you with information about the program exception/error that occurred. The location of the subfields in the PSDS is defined by special keywords or by predefined From and To positions. In order to access the subfields, you assign a name to each subfield. The keywords must be specified, left-adjusted in positions 26 through 39.

Information from the PSDS is also provided in a formatted dump. However, a formatted dump might not contain information for fields in the PSDS if the PSDS is not coded, or the length of the PSDS does not include those fields. For example, if the PSDS is only 275 bytes long, the time and date or program running will appear as \*N/A\*. in the dump, since this information starts at byte 276. For more information see "DUMP (Program Dump)" on page 625.

#### TIP

Call performance with LR on will be greatly improved by having no PSDS, or a PSDS no longer than 80 bytes, since some of the information to fill the PSDS after 80 bytes is costly to obtain.

Table 23 provides the layout of the subfields of the data structure and the predefined From and To positions of its subfields that can be used to access information in this data structure.

Table 23. Contents of the Program Status Data Structure

| From<br>(Pos.<br>26-32) | To<br>(Pos.<br>33-39) | Format    | Length | Keyword | Information                                                                                               |
|-------------------------|-----------------------|-----------|--------|---------|-----------------------------------------------------------------------------------------------------------|
| 1                       | 10                    | Character | 10     | *PROC   | Name of the main procedure, if there is one; otherwise, the name associated with the main source section. |

## Program Exception/Errors

Table 23. Contents of the Program Status Data Structure (continued)

| From<br>(Pos.<br>26-32) | To<br>(Pos.<br>33-39) | Format        | Length | Keyword  | Information                                                                                                                                                                                                                                                                                                                                                                                                                                                                                                                                                                                                                                                                                                                                                |
|-------------------------|-----------------------|---------------|--------|----------|------------------------------------------------------------------------------------------------------------------------------------------------------------------------------------------------------------------------------------------------------------------------------------------------------------------------------------------------------------------------------------------------------------------------------------------------------------------------------------------------------------------------------------------------------------------------------------------------------------------------------------------------------------------------------------------------------------------------------------------------------------|
| 11                      | 15                    | Zoned decimal | 5,0    | *STATUS  | Status code. For a description of these codes, see "Program Status Codes" on page 87.                                                                                                                                                                                                                                                                                                                                                                                                                                                                                                                                                                                                                                                                      |
| 16                      | 20                    | Zoned decimal | 5,0    |          | Previous status code.                                                                                                                                                                                                                                                                                                                                                                                                                                                                                                                                                                                                                                                                                                                                      |
| 21                      | 28                    | Character     | 8      |          | RPG IV source listing line number or statement number. The source listing line number is replaced by the source listing statement number if OPTION(*SRCSTMT) is specified instead of OPTION(*NOSRCSTMT). The full statement number is included when it applies to the root source member. If the statement number is greater than 6 digits (that is, it includes a source ID other than zero), the first 2 positions of the 8-byte feedback area will have a "+" indicating that the rest of statement number is stored in positions 354-355.                                                                                                                                                                                                              |
| 29                      | 36                    | Character     | 8      | *ROUTINE | Name of the RPG IV routine in which the exception or error occurred. This subfield is updated at the beginning of an RPG IV routine or after a program call only when the *STATUS subfield is updated with a nonzero value. The following names identify the routines:<br><br>*INIT Program initialization<br>*DETL Detail lines<br>*GETIN Get input record<br>*TOTC Total calculations<br>*TOTL Total lines<br>*DETC Detail calculations<br>*OFL Overflow lines<br>*TERM Program ending<br>*ROUTINE Name of program or procedure called (first 8 characters).<br><b>Note:</b> *ROUTINE is not valid unless you use the normal RPG IV cycle. Logic that takes the program out of the normal RPG IV cycle may cause *ROUTINE to reflect an incorrect value. |
| 37                      | 39                    | Zoned decimal | 3,0    | *PARMS   | Number of parameters passed to this program from a calling program. The value is the same as that returned by %PARMS. If no information is available, -1 is returned.                                                                                                                                                                                                                                                                                                                                                                                                                                                                                                                                                                                      |
| 40                      | 42                    | Character     | 3      |          | Exception type (CPF for an operating system exception or MCH for a machine exception).                                                                                                                                                                                                                                                                                                                                                                                                                                                                                                                                                                                                                                                                     |

Table 23. Contents of the Program Status Data Structure (continued)

| From<br>(Pos.<br>26-32) | To<br>(Pos.<br>33-39) | Format        | Length | Keyword | Information                                                                                                                                                                                                                                                                                                                                                                                                                                                                                                            |
|-------------------------|-----------------------|---------------|--------|---------|------------------------------------------------------------------------------------------------------------------------------------------------------------------------------------------------------------------------------------------------------------------------------------------------------------------------------------------------------------------------------------------------------------------------------------------------------------------------------------------------------------------------|
| 43                      | 46                    | Character     | 4      |         | Exception number. For a CPF exception, this field contains a CPF message number. For a machine exception, it contains a machine exception number.                                                                                                                                                                                                                                                                                                                                                                      |
| 47                      | 50                    | Character     | 4      |         | Reserved                                                                                                                                                                                                                                                                                                                                                                                                                                                                                                               |
| 51                      | 80                    | Character     | 30     |         | Work area for messages. This area is only meant for internal use by the ILE RPG compiler. The organization of information will not always be consistent. It can be displayed by the user.                                                                                                                                                                                                                                                                                                                              |
| 81                      | 90                    | Character     | 10     |         | Name of library in which the program is located.                                                                                                                                                                                                                                                                                                                                                                                                                                                                       |
| 91                      | 170                   | Character     | 80     |         | Retrieved exception data. CPF messages are placed in this subfield when location *STATUS contains 09999.                                                                                                                                                                                                                                                                                                                                                                                                               |
| 171                     | 174                   | Character     | 4      |         | Identification of the exception that caused RNX9001 exception to be signaled.                                                                                                                                                                                                                                                                                                                                                                                                                                          |
| 175                     | 184                   | Character     | 10     |         | Name of file on which the last file operation occurred (updated only when an error occurs). This information always contains the full file name.                                                                                                                                                                                                                                                                                                                                                                       |
| 185                     | 190                   | Character     | 6      |         | Unused.                                                                                                                                                                                                                                                                                                                                                                                                                                                                                                                |
| 191                     | 198                   | Character     | 8      |         | Date (*DATE format) the job entered the system. In the case of batch jobs submitted for overnight processing, those that run after midnight will carry the next day's date. This value is derived from the job date, with the year expanded to the full four years. The date represented by this value is the same date represented by positions 270 - 275.                                                                                                                                                            |
| 199                     | 200                   | Zoned decimal | 2,0    |         | First 2 digits of a 4-digit year. The same as the first 2 digits of *YEAR. This field applies to the century part of the date in positions 270 to 275. For example, for the date 1999-06-27, UDATE would be 990627, and this century field would be 19. The value in this field in conjunction with the value in positions 270 - 275 has the combined information of the value in positions 191 -198.<br><b>Note:</b> This century field does not apply to the dates in positions 276 to 281, or positions 288 to 293. |
| 201                     | 208                   | Character     | 8      |         | Name of file on which the last file operation occurred (updated only when an error occurs). This file name will be truncated if a long file name is used. See positions 175-184 for long file name information.                                                                                                                                                                                                                                                                                                        |

## Program Exception/Errors

Table 23. Contents of the Program Status Data Structure (continued)

| From<br>(Pos.<br>26-32) | To<br>(Pos.<br>33-39) | Format        | Length | Keyword | Information                                                                                                                                                                                                                                                                                                                                                                                                                                                                                                                                                                                                                                                                                                                                                                                                        |
|-------------------------|-----------------------|---------------|--------|---------|--------------------------------------------------------------------------------------------------------------------------------------------------------------------------------------------------------------------------------------------------------------------------------------------------------------------------------------------------------------------------------------------------------------------------------------------------------------------------------------------------------------------------------------------------------------------------------------------------------------------------------------------------------------------------------------------------------------------------------------------------------------------------------------------------------------------|
| 209                     | 243                   | Character     | 35     |         | Status information on the last file used. This information includes the status code, the RPG IV opcode, the RPG IV routine name, the source listing line number or statement number, and record name. It is updated only when an error occurs.<br><b>Note:</b> The opcode name is in the same form as *OPCODE in the INFDS. The source listing line number is replaced by the source listing statement number if OPTION(*SRCSTMT) is specified instead of OPTION(*NOSRCSTMT). The full statement number is included when it applies to the root source member. If the statement number is greater than 6 digits (that is, it includes a source ID other than zero), the first 2 positions of the 8-byte feedback area will have a "+" indicating that the rest of statement number is stored in positions 356-357. |
| 244                     | 253                   | Character     | 10     |         | Job name.                                                                                                                                                                                                                                                                                                                                                                                                                                                                                                                                                                                                                                                                                                                                                                                                          |
| 254                     | 263                   | Character     | 10     |         | User name from the user profile.                                                                                                                                                                                                                                                                                                                                                                                                                                                                                                                                                                                                                                                                                                                                                                                   |
| 264                     | 269                   | Zoned decimal | 6,0    |         | Job number.                                                                                                                                                                                                                                                                                                                                                                                                                                                                                                                                                                                                                                                                                                                                                                                                        |
| 270                     | 275                   | Zoned decimal | 6,0    |         | Date (in UDATE format) the program started running in the system (UDATE is derived from this date). See "User Date Special Words" on page 7 for a description of UDATE. This is commonly known as the 'job date'. The date represented by this value is the same date represented by positions 191 - 198.                                                                                                                                                                                                                                                                                                                                                                                                                                                                                                          |
| 276                     | 281                   | Zoned decimal | 6,0    |         | Date of program running (the system date in UDATE format). If the year part of this value is between 40 and 99, the date is between 1940 and 1999. Otherwise the date is between 2000 and 2039. The 'century' value in positions 199 - 200 does not apply to this field.                                                                                                                                                                                                                                                                                                                                                                                                                                                                                                                                           |
| 282                     | 287                   | Zoned decimal | 6,0    |         | Time (in the format hhmmss) of the program running.                                                                                                                                                                                                                                                                                                                                                                                                                                                                                                                                                                                                                                                                                                                                                                |
| 288                     | 293                   | Character     | 6      |         | Date (in UDATE format) the program was compiled. If the year part of this value is between 40 and 99, the date is between 1940 and 1999. Otherwise the date is between 2000 and 2039. The 'century' value in positions 199 - 200 does not apply to this field.                                                                                                                                                                                                                                                                                                                                                                                                                                                                                                                                                     |
| 294                     | 299                   | Character     | 6      |         | Time (in the format hhmmss) the program was compiled.                                                                                                                                                                                                                                                                                                                                                                                                                                                                                                                                                                                                                                                                                                                                                              |
| 300                     | 303                   | Character     | 4      |         | Level of the compiler.                                                                                                                                                                                                                                                                                                                                                                                                                                                                                                                                                                                                                                                                                                                                                                                             |
| 304                     | 313                   | Character     | 10     |         | Source file name.                                                                                                                                                                                                                                                                                                                                                                                                                                                                                                                                                                                                                                                                                                                                                                                                  |
| 314                     | 323                   | Character     | 10     |         | Source library name.                                                                                                                                                                                                                                                                                                                                                                                                                                                                                                                                                                                                                                                                                                                                                                                               |
| 324                     | 333                   | Character     | 10     |         | Source file member name.                                                                                                                                                                                                                                                                                                                                                                                                                                                                                                                                                                                                                                                                                                                                                                                           |
| 334                     | 343                   | Character     | 10     |         | Program containing procedure.                                                                                                                                                                                                                                                                                                                                                                                                                                                                                                                                                                                                                                                                                                                                                                                      |

Table 23. Contents of the Program Status Data Structure (continued)

| From<br>(Pos.<br>26-32) | To<br>(Pos.<br>33-39) | Format    | Length | Keyword | Information                                                     |
|-------------------------|-----------------------|-----------|--------|---------|-----------------------------------------------------------------|
| 344                     | 353                   | Character | 10     |         | Module containing procedure.                                    |
| 354                     | 355                   | Binary    | 2      |         | Source Id matching the statement number from positions 21-28.   |
| 356                     | 357                   | Binary    | 2      |         | Source Id matching the statement number from positions 228-235. |
| 358                     | 367                   | Character | 10     |         | Current user profile name.                                      |
| 368                     | 371                   | Integer   | 10,0   |         | External error code                                             |
| 372                     | 379                   | Integer   | 20,0   |         | XML elements set by operation                                   |
| 380                     | 429                   | Character | 50     |         | Unused.                                                         |

### Program Status Codes

Any code placed in the subfield location \*STATUS that is greater than 99 is considered to be an exception/error condition. When the status code is greater than 99; the error indicator — if specified in positions 73 and 74 — is set on, or the %ERROR built-in function — if the 'E' extender is specified — is set to return '1', or control passes to the appropriate ON-ERROR group within a MONITOR block; otherwise, the program exception/error subroutine receives control. Location \*STATUS is updated when an exception/error occurs.

The %STATUS built-in function returns the most recent value set for the program or file status.

The following codes are placed in the subfield location \*STATUS for the program status data structure:

#### Normal Codes

##### Code Condition

- 00000 No exception/error occurred
- 00001 Called program returned with the LR indicator on.
- 00050 Conversion resulted in substitution.

#### Exception/Error Codes

##### Code Condition

- 00100 Value out of range for string operation
- 00101 Negative square root
- 00102 Divide by zero
- 00103 An intermediate result is not large enough to contain the result.
- 00104 Float underflow. An intermediate value is too small to be contained in the intermediate result field.
- 00105 Invalid characters in character to numeric conversion functions.
- 00112 Invalid Date, Time or Timestamp value.

## Program Exception/Errors

- 00113 Date overflow or underflow. (For example, when the result of a Date calculation results in a number greater than \*HIVAL or less than \*LOVAL.)
- 00114 Date mapping errors, where a Date is mapped from a 4-character year to a 2-character year, and the date range is not 1940-2039.
- 00115 Variable-length field has a current length that is not valid.
- 00120 Table or array out of sequence.
- 00121 Array index not valid
- 00122 OCCUR outside of range
- 00123 Reset attempted during initialization step of program
- 00202 Called program or procedure failed; halt indicator (H1 through H9) not on
- 00211 Error calling program or procedure
- 00222 Pointer or parameter error
- 00231 Called program or procedure returned with halt indicator on
- 00232 Halt indicator on in this program
- 00233 Halt indicator on when RETURN operation run
- 00299 RPG IV formatted dump failed
- 00301 Class or method not found for a method call, or error in method call.
- 00302 Error while converting a Java array to an RPG parameter on entry to a Java native method.
- 00303 Error converting RPG parameter to Java array on exit from an RPG native method.
- 00304 Error converting RPG parameter to Java array in preparation for a Java method call.
- 00305 Error converting Java array to RPG parameter or return value after a Java method.
- 00306 Error converting RPG return value to Java array.
- 00333 Error on DSPLY operation
- 00351 Error parsing XML document
- 00352 Invalid option for %XML
- 00353 XML document does not match RPG variable
- 00354 Error preparing for XML parsing
- 00401 Data area specified on IN/OUT not found
- 00402 \*PDA not valid for non-prestart job
- 00411 Data area type or length does not match
- 00412 Data area not locked for output
- 00413 Error on IN/OUT operation
- 00414 User not authorized to use data area
- 00415 User not authorized to change data area
- 00421 Error on UNLOCK operation

- 00425 Length requested for storage allocation is out of range
- 00426 Error encountered during storage management operation
- 00431 Data area previously locked by another program
- 00432 Data area locked by program in the same process
- 00450 Character field not entirely enclosed by shift-out and shift-in characters
- 00451 Conversion between two CCSIDs is not supported.
- 00501 Failure to retrieve sort sequence.
- 00502 Failure to convert sort sequence.
- 00802 Commitment control not active.
- 00803 Rollback operation failed.
- 00804 Error occurred on COMMIT operation
- 00805 Error occurred on ROLBK operation
- 00907 Decimal data error (digit or sign not valid)
- 00970 The level number of the compiler used to generate the program does not agree with the level number of the RPG IV run-time subroutines.
- 09998 Internal failure in ILE RPG compiler or in run-time subroutines
- 09999 Program exception in system routine.

### **PSDS Example**

To specify a PSDS in your program, you code the program status data structure and the subfields you wish to use on a definition specification.

## Program Exception/Errors

| DName+++++ETDsFrom+++To/L+++IDc.Keywords+++++Comments+++++ |          |        |                     |
|------------------------------------------------------------|----------|--------|---------------------|
| DMYPSDS                                                    | SDS      |        |                     |
| D PROC_NAME                                                | *PROC    |        | * Procedure name    |
| D PGM_STATUS                                               | *STATUS  |        | * Status code       |
| D PRV_STATUS                                               | 16       | 20S 0  | * Previous status   |
| D LINE_NUM                                                 | 21       | 28     | * Src list line num |
| D ROUTINE                                                  | *ROUTINE |        | * Routine name      |
| D PARMS                                                    | *PARMS   |        | * Num passed parms  |
| D EXCP_TYPE                                                | 40       | 42     | * Exception type    |
| D EXCP_NUM                                                 | 43       | 46     | * Exception number  |
| D PGM_LIB                                                  | 81       | 90     | * Program library   |
| D EXCP_DATA                                                | 91       | 170    | * Exception data    |
| D EXCP_ID                                                  | 171      | 174    | * Exception Id      |
| D DATE                                                     | 191      | 198    | * Date (*DATE fmt)  |
| D YEAR                                                     | 199      | 200S 0 | * Year (*YEAR fmt)  |
| D LAST_FILE                                                | 201      | 208    | * Last file used    |
| D FILE_INFO                                                | 209      | 243    | * File error info   |
| D JOB_NAME                                                 | 244      | 253    | * Job name          |
| D USER                                                     | 254      | 263    | * User name         |
| D JOB_NUM                                                  | 264      | 269S 0 | * Job number        |
| D JOB_DATE                                                 | 270      | 275S 0 | * Date (UDATE fmt)  |
| D RUN_DATE                                                 | 276      | 281S 0 | * Run date (UDATE)  |
| D RUN_TIME                                                 | 282      | 287S 0 | * Run time (UDATE)  |
| D CRT_DATE                                                 | 288      | 293    | * Create date       |
| D CRT_TIME                                                 | 294      | 299    | * Create time       |
| D CPL_LEVEL                                                | 300      | 303    | * Compiler level    |
| D SRC_FILE                                                 | 304      | 313    | * Source file       |
| D SRC_LIB                                                  | 314      | 323    | * Source file lib   |
| D SRC_MBR                                                  | 324      | 333    | * Source file mbr   |
| D PROC_PGM                                                 | 334      | 343    | * Pgm Proc is in    |
| D PROC_MOD                                                 | 344      | 353    | * Mod Proc is in    |

Figure 36. Example of Coding a PSDS



**Note:** The keywords are not labels and cannot be used to access the subfields. Short entries are padded on the right with blanks.

### Program Exception/Error Subroutine

To identify the user-written RPG IV subroutine that is to receive control when a program exception/error occurs, specify \*PSSR in factor 1 of the subroutine's BEGSR operation. If an indicator is not specified in positions 73 and 74 for the operation code, or if the operation does not have an (E) extender, or if the statement is not in a MONITOR block that can handle the error, or if an exception occurs that is not expected for the operation code (that is, an array indexing error during a SCAN operation), control is transferred to this subroutine when a program exception/error occurs. In addition, the subroutine can also be called by the EXSR operation. \*PSSR can be specified on the INFSR keyword on the file description specifications and receives control if a file exception/error occurs.

Any of the RPG IV operation codes can be used in the program exception/error subroutine. The ENDSR operation must be the last specification for the subroutine, and the factor 2 entry on the ENDSR operation specifies the return point following the running of the subroutine. For a discussion of the valid entries for factor 2, see "File Exception/Error Subroutine (INFSR)" on page 79.

Remember the following when specifying a program exception/error subroutine:

- You can explicitly call the \*PSSR subroutine by specifying \*PSSR in factor 2 of the EXSR operation.
- After the ENDSR operation of the \*PSSR subroutine is run, the RPG IV language resets the field, subfield, or array element specified in factor 2 to blanks. This allows you to specify the return point within the subroutine that is best suited for the exception/error that occurred. If factor 2 contains blanks at the end of the subroutine, the RPG IV default error handler receives control; if the subroutine was called by an EXSR or CASxx operation, control returns to the next sequential instruction following the EXSR or ENDCS.
- Because the program exception/error subroutine may receive control whenever a non-file exception/error occurs, an exception/error could occur while the subroutine is running. If an exception/error occurs while the subroutine is running, the subroutine is called again; this will result in a program loop unless the programmer codes the subroutine to avoid this problem.
- If you have used the OPTIMIZE(\*FULL) option on either the CRTBNDRPG or the CRTRPGMOD command, you have to declare all fields that you refer to during exception handling with the NOOPT keyword in the definition specification for the field. This will ensure that when you run your program, the fields referred to during exception handling will have current values.
- A \*PSSR can be defined in a subprocedure, and each subprocedure can have its own \*PSSR. Note that the \*PSSR in a subprocedure is local to that subprocedure. If you want the subprocedures to share the same exception routine then you should have each \*PSSR call a shared procedure.

## Program Exception/Errors

---

## Chapter 6. Procedures and subprocedures

A procedure is a routine that is called using a bound call. You can create two kinds of procedures in RPG: a main procedure and a subprocedure.

A **main procedure** uses the RPG cycle. It is specified in the main source section. You do not need to code anything special to define the main procedure; it consists of everything before the first Procedure specification. The parameters for the main procedure can be coded using a prototype and procedure interface in the global Definition specifications, or using a \*ENTRY PLIST in the main procedure's calculations.

Any procedure interface found in the global definitions is assumed to be the procedure interface for the main procedure. The name is required for the procedure interface for the main procedure, and the prototype with the matching name must precede the procedure interface in the source.

The name of the main procedure must be the same as the name of the module being created. You can either use this name for the prototype and procedure interface, or specify this name in the EXTPROC keyword of the prototype. In the following example, module CheckFile is created. The main procedure has three parameters:

1. A file name (input)
2. A library name (input)
3. An indicator indicating whether the file was found (output)

/COPY file CHECKFILEC with the prototype for the main procedure:

```
D CheckFile PR
D file 10a const
D library 10a const
D found 1N
```

Module CheckFile:

```
/COPY CHECKFILEC
D CheckFile PI
D file 10a const
D library 10a const
D found 1N
C ... code using parameters file, library and found
```

Using a \*ENTRY PLIST, you would define the parameters this way:

```
D file S 10a const
D library S 10a const
D found S 1N
C *ENTRY PLIST
C PARM file
C PARM library
C PARM found
C ... code using parameters file, library and found
```

You can also use a prototype and procedure interface to define your main procedure as a program. In this case, you would specify the EXTPGM keyword for the prototype.

## Subprocedure Definition

/COPY file CHECKFILEC with the prototype for the program:

```
D CheckFile PR extpgm('CHECKFILE')
D file 10a const
D library 10a const
D found 1N
```

In the module source, the procedure interface would be defined the same way.

A **subprocedure** is a procedure specified after the main source section. It can only be called using a bound call. Subprocedures differ from main procedures in several respects, the main difference being that subprocedures do not (and cannot) use the RPG cycle while running.

All subprocedures must have a corresponding prototype in the definition specifications of the main source section. The prototype is used by the compiler to call the program or procedure correctly, and to ensure that the caller passes the correct parameters.

This chapter discusses the following aspects of subprocedures:

- “Subprocedure Definition”
- “NOMAIN Module” on page 100
- “Mixing Main Procedures and Exported Subprocedures” on page 100
- “Subprocedures and Subroutines” on page 101

---

## Subprocedure Definition

Subprocedures are defined after the main source section. Figure 37 shows a subprocedure, highlighting the different parts of it.

```
* Prototype for procedure FUNCTION
D FUNCTION PR 10I 0 1
D TERM1 5I 0 VALUE
D TERM2 5I 0 VALUE
D TERM3 5I 0 VALUE

P Function B 2

* This procedure performs a function on the 3 numeric values
* passed to it as value parameters.
*
* This illustrates how a procedure interface is specified for a
* procedure and how values are returned from a procedure.

D Function PI 10I 0 3
D Term1 5I 0 VALUE
D Term2 5I 0 VALUE
D Term3 5I 0 VALUE
D Result S 10I 0 4
/free
 Result = Term1 ** 2 * 17
 + Term2 * 7
 + Term3;
 return Result * 45 + 23;
/end-free
P E 6
```

Figure 37. Example of a Subprocedure

- 1** A Prototype which specifies the name, return value if any, and parameters if any.
- 2** A Begin-Procedure specification (B in position 24 of a procedure specification)
- 3** A Procedure-Interface definition, which specifies the return value and parameters, if any. The procedure interface must match the corresponding prototype. The procedure-interface definition is optional if the subprocedure does not return a value and does not have any parameters that are passed to it.
- 4** Other definition specifications of variables, constants and prototypes needed by the subprocedure. These definitions are local definitions.
- 5** Any calculation specifications, standard or free-form, needed to perform the task of the procedure. The calculations may refer to both local and global definitions. Any subroutines included within the subprocedure are local. They cannot be used outside of the subprocedure. If the subprocedure returns a value, then the subprocedure must contain a RETURN operation.
- 6** An End-Procedure specification (E in position 24 of a procedure specification)

Except for the procedure-interface definition, which may be placed anywhere within the definition specifications, a subprocedure must be coded in the order shown above.

No cycle code is generated for subprocedures. Consequently, you cannot code:

- Prerun-time and compile-time arrays and tables
- \*DTAARA definitions
- Total calculations

The calculation specifications are processed only once and the procedure returns at the end of the calculation specifications. See “Subprocedure Calculations” on page 97 for more information.

A subprocedure may be exported, meaning that procedures in other modules in the program can call it. To indicate that it is to be exported, specify the keyword EXPORT on the Procedure-Begin specification. If not specified, the subprocedure can only be called from within the module.

## Procedure Interface Definition

If a prototyped procedure has call parameters or a return value, then it must have a procedure interface definition. A **procedure interface definition** is a repeat of the prototype information within the definition of a procedure. It is used to declare the entry parameters for the procedure and to ensure that the internal definition of the procedure is consistent with the external definition (the prototype).

You specify a procedure interface by placing PI in the Definition-Type entry (positions 24-25). Any parameter definitions, indicated by blanks in positions 24-25, must immediately follow the PI specification. The procedure interface definition ends with the first definition specification with non-blanks in positions 24-25 or by a non-definition specification.

## Subprocedure Definition

For more information on procedure interface definitions, see “Procedure Interface” on page 148.

### Return Values

A procedure that returns a value is essentially a user-defined function, similar to a built-in function. To define a return value for a subprocedure, you must

1. Define the return value on both the prototype and procedure-interface definitions of the subprocedure.
2. Code a RETURN operation with an expression in the extended-factor 2 field that contains the value to be returned.

You define the length and the type of the return value on the procedure-interface specification (the definition specification with PI in positions 24-25). The following keywords are also allowed:

#### **DATFMT(fmt)**

The return value has the date format specified by the keyword.

#### **DIM(N)**

The return value is an array with N elements.

#### **LIKE(name)**

The return value is defined like the item specified by the keyword.

#### **LIKEDS(name)**

The return value is a data structure defined like the data structure specified by the keyword.

#### **LIKEREC(name{,type})**

The return value is a data structure defined like the record name specified by the keyword.

#### **PROCPTR**

The return value is a procedure pointer.

#### **TIMFMT(fmt)**

The return value has the time format specified by the keyword.

To return the value to the caller, you must code a RETURN operation with an expression containing the return value. The expression in the extended-factor 2 field is subject to the same rules as an expression with EVAL. The actual returned value has the same role as the left-hand side of the EVAL expression, while the extended factor 2 of the RETURN operation has the same role as the right-hand side. You must ensure that a RETURN operation is performed if the subprocedure has a return value defined; otherwise an exception is issued to the caller of the subprocedure.

### Scope of Definitions

Any items defined within a subprocedure are local. If a local item is defined with the same name as a global data item, then any references to that name inside the subprocedure use the local definition.

However, keep in mind the following:

- Subroutine names and tag names are known only to the procedure in which they are defined, even those defined in the main procedure.

- All fields specified on input and output specifications are global. When a subprocedure uses input or output specifications (for example, while processing a read operation), the global name is used even if there is a local variable of the same name.

When using a global KLIST or PLIST in a subprocedure some of the fields may have the same names as local fields. If this occurs, the global field is used. This may cause problems when setting up a KLIST or PLIST prior to using it.

For example, consider the following source.

```

* Main procedure definitions
D Fld1 S 1A
D Fld2 S 1A

* Define a global key field list with 2 fields, Fld1 and Fld2
C global_k1 KLIST
C KFLD Fld1
C KFLD Fld2

* Subprocedure Section
P Subproc B
D Fld2 S 1A

* local_k1 has one global kfld (fld1) and one local (fld2)
C local_k1 KLIST
C KFLD Fld1
C KFLD Fld2

* Even though Fld2 is defined locally in the subprocedure,
* the global Fld2 is used by the global_k1, since global KLISTs
* always use global fields. As a result, the assignment to the
* local Fld2 will NOT affect the CHAIN operation.

C EVAL Fld1 = 'A'
C EVAL Fld2 = 'B'
C global_k1 SETLL file

* Local KLISTs use global fields only when there is no local
* field of that name. local_k1 uses the local Fld2 and so the
* assignment to the local Fld2 WILL affect the CHAIN operation.
C EVAL Fld1 = 'A'
C EVAL Fld2 = 'B'
C local_k1 SETLL file
...
P E

```

Figure 38. Scope of Key Fields Inside a Module

For more information on scope, see “Scope of Definitions” on page 118.

## Subprocedure Calculations

No cycle code is generated for a subprocedure, and so you must code it differently than a main procedure. The subprocedure ends when one of the following occurs:

- A RETURN operation is processed
- The last calculation in the body of the subprocedure is processed.

Figure 39 on page 98 shows the normal processing steps for a subprocedure. Figure 40 on page 99 shows the exception/error handling sequence.

## Subprocedure Definition

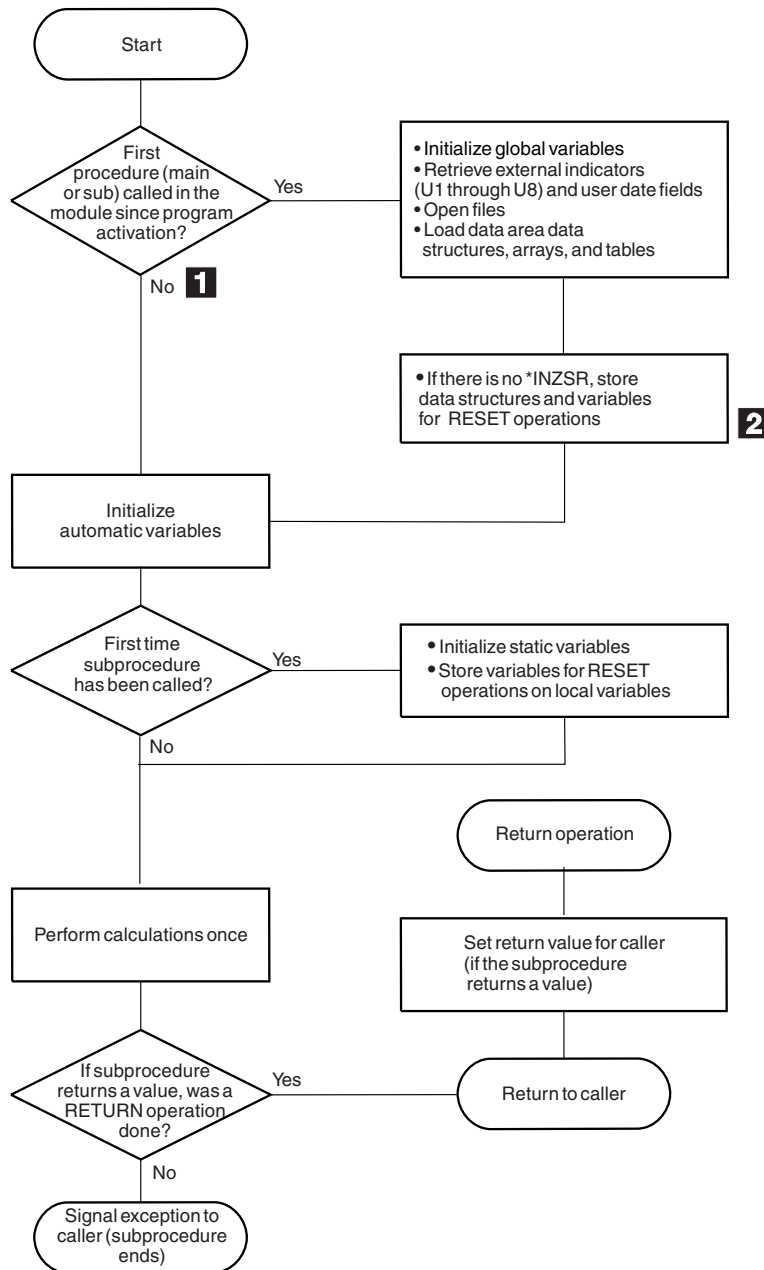


Figure 39. Normal Processing Sequence for a Subprocedure

- 1** Taking the "No" branch means that another procedure has already been called since the program was activated. You should ensure that you do not make any incorrect assumptions about the state of files, data areas, etc., since another procedure may have closed files, or unlocked data areas.
- 2** If an entry parameter to the main procedure is RESET anywhere in the module, this will cause an exception. If it is possible that a subprocedure will be called before the main procedure, it is not advised to RESET any entry parameters for the main procedure.



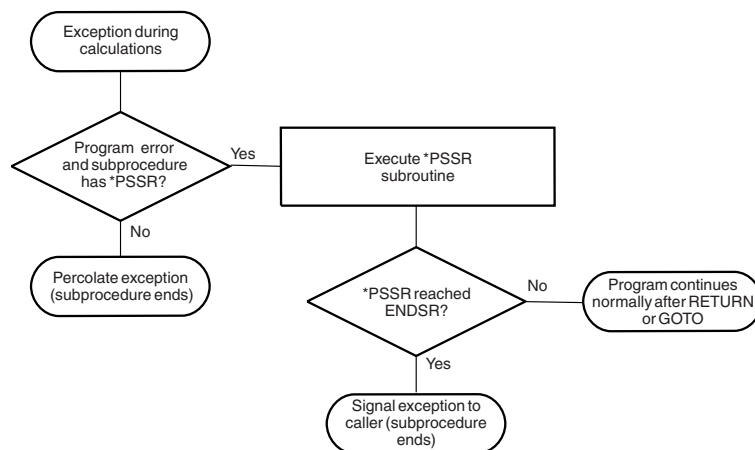


Figure 40. Exception/Error Handling Sequence for a Subprocedure

Here are some points to consider when coding subprocedures:

- There is no \*INZSR associated with subprocedures. Data is initialized (with either INZ values or default values) when the subprocedure is first called, but before the calculations begin.  
Note also that if the subprocedure is the *first* procedure to be called in a module, the \*INZSR of the main procedure (if present) will not be run, although other initialization of global data will be done. The \*INZSR of the main procedure will be run when the main procedure is called.
- When a subprocedure returns normally, the return value, if specified on the prototype of the called program or procedure, is passed to the caller. Nothing else occurs automatically. All files and data areas must be closed manually. Files must be written out manually. You can set on indicators such as LR, but program termination will not occur until the main procedure terminates.
- Exception handling within a subprocedure differs from a main procedure primarily because there is no default exception handler for subprocedures and so situations where the default handler would be called for a main procedure correspond to abnormal end of the subprocedure. For example, Factor 2 of an ENDSR operation for a \*PSSR subroutine within a subprocedure must be blank. A blank factor 2 in a main procedure would result in control being passed to the default handler. In a subprocedure, if the ENDSR is reached, then the subprocedure will end abnormally and RNX9001 will be signalled to the caller of the subprocedure.

You can avoid abnormal termination either by coding a RETURN operation in the \*PSSR, or by coding a GOTO and label in the subprocedure to continue processing.

- The \*PSSR error subroutine is local to the subprocedure. Conversely, file errors are global by definition, and so you cannot code an INFSR in a subprocedure, nor can you use a file for which an INFSR is coded.
- Indicators that control the cycle function solely as conditioning indicators when used in a NOMAIN module; or in a subprocedure that is active, but where the main procedure of the module is not. Indicators that control the cycle include: LR, RT, H1-H9, and control level indicators.

### NOMAIN Module

You can code one or more subprocedures in a module without coding a main procedure. Such a module is called a **NOMAIN module**, since it requires the specification of the NOMAIN keyword on the control specification. When there is no main procedure, no cycle code is generated for the NOMAIN module.

**TIP**

You may want to consider making all your modules NOMAIN modules except the ones that actually contain the program entry procedure for a program. The lack of the cycle code will reduce the size of the program.

Since there is no main procedure, you are restricted in terms of what can be coded in the main source section. Specifically, you cannot code specifications for

- Primary and secondary files
- Detail and total output
- Executable calculations (including an initialization subroutine)
- \*ENTRY PLIST

Instead you would code in the main source section:

- Full-procedural files
- Input specifications
- Definition specifications
- Declarative calculations such as DEFINE, KFLD, KLIST, PARM, and PLIST (but not \*ENTRY PLIST)
- Exception output

**Note:** A module with NOMAIN specified will not have a program entry procedure. Consequently you cannot use the CRTBNDRPG command to compile the source.

---

### Mixing Main Procedures and Exported Subprocedures

If a module contains both a main procedure and exported subprocedures, take great care to ensure that the RPG cycle in the main procedure does not adversely affect the global data, files, and data areas that the sub-procedures are using.

You must be aware of when files are opened and closed implicitly, when data areas are locked and unlocked implicitly, and when global data is initialized or re-initialized.

#### Implicit Opening of Files and Locking of Data Areas

UDS data areas and files that do not have the USROPN keyword are opened or locked implicitly during module initialization and during main-procedure initialization.

Module initialization occurs when the first procedure (either the main procedure or a subprocedure) is called.

Main procedure initialization occurs when the main procedure is called the first time. It also occurs on subsequent calls if the main procedure ended abnormally or with LR on.

### Implicit Closing of Files and Unlocking of Data Areas

UDS data areas and files that do not have the USROPN keyword are closed or unlocked implicitly during main procedure termination when the main procedure ends abnormally or with LR on.

### Initialization of Global Data

Data is initialized during module initialization and during main procedure initialization.

### Possible Problems

If module initialization occurs because a subprocedure is the first procedure to be called, and main procedure initialization occurs later, errors can occur if files are already open or data areas are already locked.

If a subprocedure calls the main procedure, global data may or may not be reinitialized during the call, depending on the way the main procedure ended the last time it was called. If the subprocedure is using any global data, this can cause unexpected results.

### Recommendations

Consider moving the main procedure logic into a subprocedure, and making the module a NOMAIN module.

If you mix main procedures with exported subprocedures, ensure that your main procedure is called first, before any subprocedures.

Do not allow main-procedure initialization to happen more than once, since this would reinitialize your global data. The best way to prevent reinitialization is to avoid using the LR indicator.

If you want to call your main procedure intermixed with your subprocedures, you should declare all your files as USROPN and not use UDS data areas. Open files and lock data areas as you need them, and close files and unlock data areas when you no longer need them. You might consider having a subprocedure in the module that will close any open files and unlock any locked data areas.

---

## Subprocedures and Subroutines

A subprocedure is similar to a subroutine, except that a subprocedure offers the following improvements:

- You can pass parameters to a subprocedure, even passing by value.  
This means that the parameters used to communicate with subprocedures do not have to be modifiable. Parameters that are passed by reference, as they are with programs, must be modifiable, and so may be less reliable.
- The parameters passed to a subprocedure and those received by it are checked at compile time for consistency. This helps to reduce run-time errors, which can be more costly.
- You can use a subprocedure like a built-in function in an expression.

## Subprocedures and Subroutines

When used in this way, they return a value to the caller. This basically allows you to custom-define any operators you might need in an expression.

- Names defined in a subprocedure are not visible outside the subprocedure. This means that there is less chance of the procedure inadvertently changing a item that is shared by other procedures. Furthermore, the caller of the procedure does not need to know as much about the items used inside the subprocedure.
- You can call the subprocedure from outside the module, if it is exported.
- You can call subprocedures recursively.
- Procedures are defined on a different specification type, namely, procedure specifications. This different type helps you to immediately recognize that you are dealing with a separate unit.

If you do not require the improvements offered by subprocedures, you may want to use a subroutine because an EXSR operation is usually faster than a call to a subprocedure.

---

## Chapter 7. General File Considerations

This chapter contains a more detailed explanation of:

- Multi-file Processing
- Match fields
- Alternate collating sequence
- File translation.

---

### Primary/Secondary Multi-file Processing

In an RPG IV program, the processing of a primary input file and one or more secondary input files, with or without match fields, is termed multi-file processing. Selection of records from more than one file based on the contents of match fields is known as multi-file processing by matching records. Multi-file processing can be used with externally described or program described input files that are designated as primary/secondary files.

#### Multi-file Processing with No Match Fields

When no match fields are used in multi-file processing, records are selected from one file at a time. When the records from one file are all processed, the records from the next file are selected. The files are selected in this order:

1. Primary file, if specified
2. Secondary files in the order in which they are described on the file description specifications.

#### Multi-file Processing with Match Fields

When match fields are used in multi-file processing, the program selects the records for processing according to the contents of the match fields. At the beginning of the first cycle, the program reads one record from every primary/secondary input file and compares the match fields in the records. If the records are in ascending order, the program selects the record with the lowest match field. If the records are in descending order, the program selects the record with the highest match field.

When a record is selected from a file, the program reads the next record from that file. At the beginning of the next program cycle, the new record is compared with the other records in the read area that are waiting for selection, and one record is selected for processing.

Records without match fields can also be included in the files. Such records are selected for processing before records with match fields. If two or more of the records being compared have no match fields, selection of those records is determined by the priority of the files from which the records came. The priority of the files is:

1. Primary file, if specified
2. Secondary files in the order in which they are described on the file description specifications.

When the primary file record matches one or more of the secondary records, the MR (matching record) indicator is set on. The MR indicator is on for detail time

## Primary/Secondary Multi-file Processing

processing of a matching record through the total time that follows the record. This indicator can be used to condition calculation or output operations for the record that is selected. When one of the matching records must be selected, the selection is determined by the priority of the files from which the records came.

Figure 7 on page 29 shows the logic flow of multi-file processing.

A program can be written where only one input file is defined with match fields and no other input files have match fields. The files without the match fields are then processed completely according to the previously mentioned priority of files. The file with the match fields is processed last, and sequence checking occurs for that file.

### Assigning Match Field Values (M1-M9)

When assigning match field values (M1 through M9) to fields on the input specifications in positions 65 and 66, consider the following:

- Sequence checking is done for all record types with match field specifications. All match fields must be in the same order, either all ascending or all descending. The contents of the fields to which M1 through M9 are assigned are checked for correct sequence. An error in sequence causes the RPG IV exception/error handling routine to receive control. When the program continues processing, the next record from the same file is read.
- Not all files used in the program must have match fields. Not all record types within one file must have match fields either. However, at least one record type from two files must have match fields if files are ever to be matched.
- The same match field values must be specified for all record types that are used in matching. See Figure 41 on page 106.
- Date, time, and timestamp match fields with the same match field values (M1 through M9) must be the same type (for example, all date) but can be different formats.
- All character, graphic, or numeric match fields with the same match field values (M1 through M9) should be the same length and type. If the match field contains packed data, the zoned decimal length (two times packed length - 1) is used as the length of the match field. It is valid to match a packed field in one record against a zoned decimal field in another if the digit lengths are identical. The length must always be odd because the length of a packed field is always odd.
- Record positions of different match fields can overlap, but the total length of all fields must not exceed 256 characters.
- If more than one match field is specified for a record type, all the fields are combined and treated as one continuous field (see Figure 41 on page 106). The fields are combined according to descending sequence (M9 to M1) of matching field values.
- Match fields values cannot be repeated in a record.
- All match fields given the same matching field value (M1 through M9) are considered numeric if any one of the match fields is described as numeric.
- When numeric fields having decimal positions are matched, they are treated as if they had no decimal position. For instance 3.46 is considered equal to 346.
- Only the digit portions of numeric match fields are compared. Even though a field is negative, it is considered to be positive because the sign of the numeric field is ignored. Therefore, a -5 matches a +5.
- Date and time fields are converted to \*ISO format for comparisons
- Graphic data is compared hexadecimally

- Whenever more than one matching field value is used, all match fields must match before the MR indicator is set on. For example, if match field values M1, M2, and M3 are specified, all three fields from a primary record must match all three match fields from a secondary record. A match on only the fields specified by M1 and M2 fields will not set the MR indicator on (see Figure 41 on page 106).
- UCS-2 fields cannot be used for matching fields.
- Matching fields cannot be used for lookahead fields, and arrays.
- Field names are ignored in matching record operations. Therefore, fields from different record types that are assigned the same match level can have the same name.
- If an alternate collating sequence or a file translation is defined for the program, character fields are matched according to the alternate sequence specified.
- Null-capable fields, character fields defined with ALTSEQ(\*NONE), and binary, float, integer and unsigned fields (B, F, I, or U in position 36 of the input specifications) cannot be assigned a match field value.
- Match fields that have no field record relation indicator must be described before those that do. When the field record relation indicator is used with match fields, the field record relation indicator should be the same as a record identifying indicator for this file, and the match fields must be grouped according to the field record relation indicator.
- When any match value (M1 through M9) is specified for a field without a field record relation indicator, all match values used must be specified once without a field record relation indicator. If all match fields are not common to all records, a dummy match field should be used. Field record relation indicators are invalid for externally described files. (see Figure 42 on page 107).
- Match fields are independent of control level indicators (L1 through L9).
- If multi-file processing is specified and the LR indicator is set on, the program bypasses the multi-file processing routine.

Figure 41 on page 106 is an example of how match fields are specified.

## Primary/Secondary Multi-file Processing

```

*...1....+...2....+...3....+...4....+...5....+...6....+...7...
FFilename++IPEASFRlen+LKlen+AIDevice+.Keywords+++++++
* The files in this example are externally described (E in position
* 22) and are to be processed by keys (K in position 34).
FMASTER IP E K DISK
FWEEKLY IS E K DISK
*...1....+...2....+...3....+...4....+...5....+...6....+...7...
IRcname+++...Ri.....
I.....Ext-field+.....Field+++++++L1M1..P1MnZr....
*
* MASTER FILE
IEMPMAS 01
I EMPLNO M1
I DIVSON M3
I DEPT M2
IDEPTMS 02
I EMPLNO M1
I DEPT M2
I DIVSON M3
*
* WEEKLY FILE
IWEEKRC 03
I EMPLNO M1
I DIVSON M3
I DEPT M2

```

Figure 41. Match Fields in Which All Values Match

Three files are used in matching records. All the files have three match fields specified, and all use the same values (M1, M2, M3) to indicate which fields must match. The MR indicator is set on only if all three match fields in either of the files EMPMAS and DEPTMS are the same as all three fields from the WEEKRC file.

The three match fields in each file are combined and treated as one match field organized in the following descending sequence:

```

DIVSON M3
DEPT M2
EMPLNO M1

```

The order in which the match fields are specified in the input specifications does not affect the organization of the match fields.



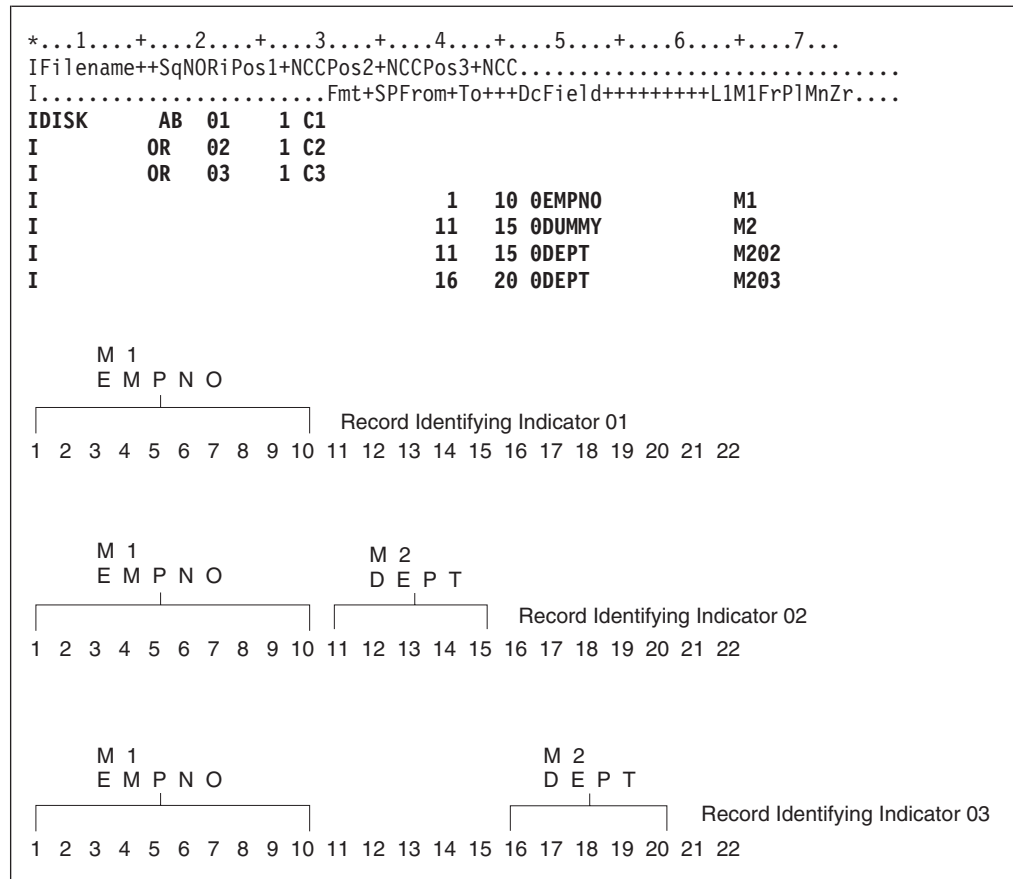


Figure 42. Match Fields with a Dummy M2 Field

Three different record types are found in the input file. All three contain a match field in positions 1 through 10. Two of them have a second match field. Because M1 is found on all record types, it can be specified without a field record relation entry in positions 67 and 68. If one match value (M1 through M9) is specified without field record relation entries, all match values must be specified once without field record relation entries. Because the value M1 is specified without field record relationship, an M2 value must also be specified once without field record relationship. The M2 field is not on all record types; therefore a dummy M2 field must be specified next. The dummy field can be given any unique name, but its specified length must be equal to the length of the true M2 field. The M2 field is then related to the record types on which it is found by field record relation entries.

## Primary/Secondary Multi-file Processing

```

*...1....+...2....+...3....+...4....+...5....+...6....+...7...
FFilename++IPEASFRlen+LKlen+AIDevice+.Keywords+++++++
FPRIMARY IPEA F 64 DISK
FFIRSTSEC IS A F 64 DISK
FSECSEC IS A F 64 DISK

*...1....+...2....+...3....+...4....+...5....+...6....+...7...
IFilename++SqNORiPos1+NCCPos2+NCCPos3+NCC.....
I.....Fmt+SPFrom+To+++DcField+++++++L1M1FrP1MnZr....
IPRIMARY AA 01 1 CP 2NC
I 2 3 MATCH M1
*
I BB 02 1 CP 2 C
I 2 3 NOM
*
IFIRSTSEC AB 03 1 CS 2NC
I 2 3 MATCH M1
*
I BC 04 1 CS 2 C
I 2 3 NOM
*
ISECSEC AC 05 1 CT 2NC
I 2 3 MATCH M1
*
I BD 06 1 CT 2 C
I 2 3 NOM

```

Figure 43. Match Field Specifications for Three Disk Files

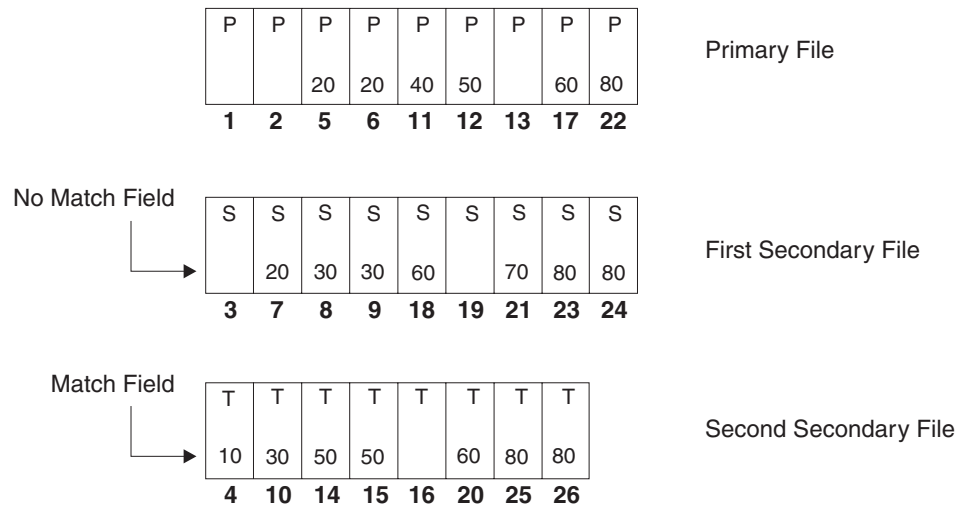
### Processing Matching Records

Matching records for two or more files are processed in the following manner:

- Whenever a record from the primary file matches a record from the secondary file, the primary file is processed first. Then the matching secondary file is processed. The record identifying indicator that identifies the record type just selected is on at the time the record is processed. This indicator is often used to control the type of processing that takes place.
- Whenever records from ascending files do not match, the record having the lowest match field content is processed first. Whenever records from descending files do not match, the record having the highest match field content is processed first.
- A record type that has no match field specification is processed immediately after the record it follows. The MR indicator is off. If this record type is first in the file, it is processed first even if it is not in the primary file.
- The matching of records makes it possible to enter data from primary records into their matching secondary records because the primary record is processed before the matching secondary record. However, the transfer of data from secondary records to matching primary records can be done only when look-ahead fields are specified.

Figure 44 on page 109 through Figure 45 on page 110 show how records from three files are selected for processing.

## Primary/Secondary Multi-file Processing



The records from the three disk files above are selected in the order indicated by the dark numbers.

Figure 44. Normal Record Selection from Three Disk Files

Table 24. Normal Record Selection from Three Disk Files

| Cycle | File Processed | Indicators On | Reason for Setting Indicator           |
|-------|----------------|---------------|----------------------------------------|
| 1     | PRIMARY        | 02            | No match field specified               |
| 2     | PRIMARY        | 02            | No match field specified               |
| 3     | FIRSTSEC       | 04            | No match field specified               |
| 4     | SECSEC         | 05            | Second secondary low; no primary match |
| 5     | PRIMARY        | 01, MR        | Primary matches first secondary        |
| 6     | PRIMARY        | 01, MR        | Primary matches first secondary        |
| 7     | FIRSTSEC       | 03, MR        | First secondary matches primary        |
| 8     | FIRSTSEC       | 03            | First secondary low; no primary match  |
| 9     | FIRSTSEC       | 03            | First secondary low; no primary match  |
| 10    | SECSEC         | 05            | Second secondary low; no primary match |
| 11    | PRIMARY        | 01            | Primary low; no secondary match        |
| 12    | PRIMARY        | 01, MR        | Primary matches second secondary       |
| 13    | PRIMARY        | 02            | No match field specified               |
| 14    | SECSEC         | 05, MR        | Second secondary matches primary       |
| 15    | SECSEC         | 05, MR        | Second secondary matches primary       |
| 16    | SECSEC         | 06            | No match field specified               |
| 17    | PRIMARY        | 01, MR        | Primary matches both secondary files   |
| 18    | FIRSTSEC       | 03, MR        | First secondary matches primary        |
| 19    | FIRSTSEC       | 04            | No match field specified               |
| 20    | SECSEC         | 05, MR        | Second secondary matches primary       |
| 21    | FIRSTSEC       | 03            | First secondary low; no primary match  |
| 22    | PRIMARY        | 01, MR        | Primary matches both secondary files   |
| 23    | FIRSTSEC       | 03, MR        | First secondary matches primary        |
| 24    | FIRSTSEC       | 02, MR        | First secondary matches primary        |

## Primary/Secondary Multi-file Processing

Table 24. Normal Record Selection from Three Disk Files (continued)

| Cycle | File Processed | Indicators On | Reason for Setting Indicator     |
|-------|----------------|---------------|----------------------------------|
| 25    | SECSEC         | 05, MR        | Second secondary matches primary |
| 26    | SECSEC         | 05, MR        | Second secondary matches primary |

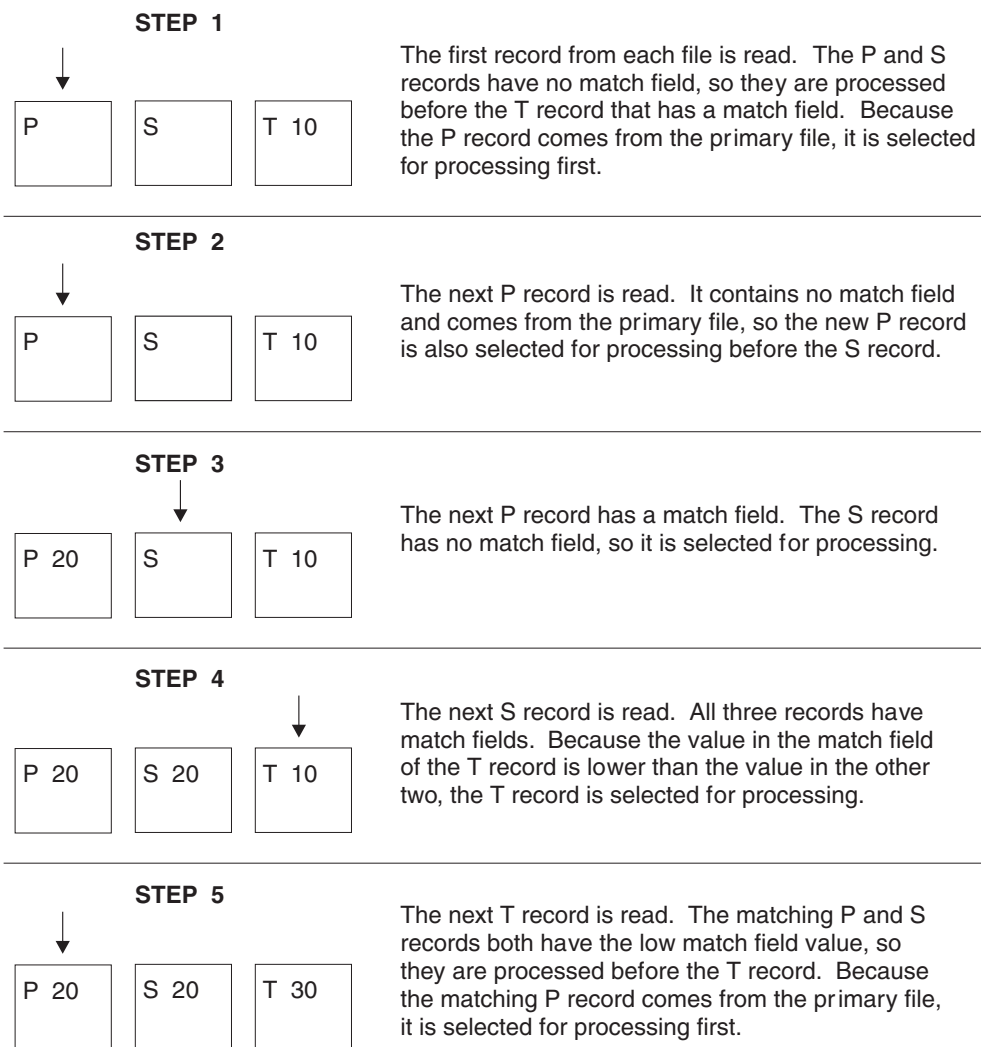


Figure 45. Normal Record Selection from Three Disk Files (Part 1 of 2)

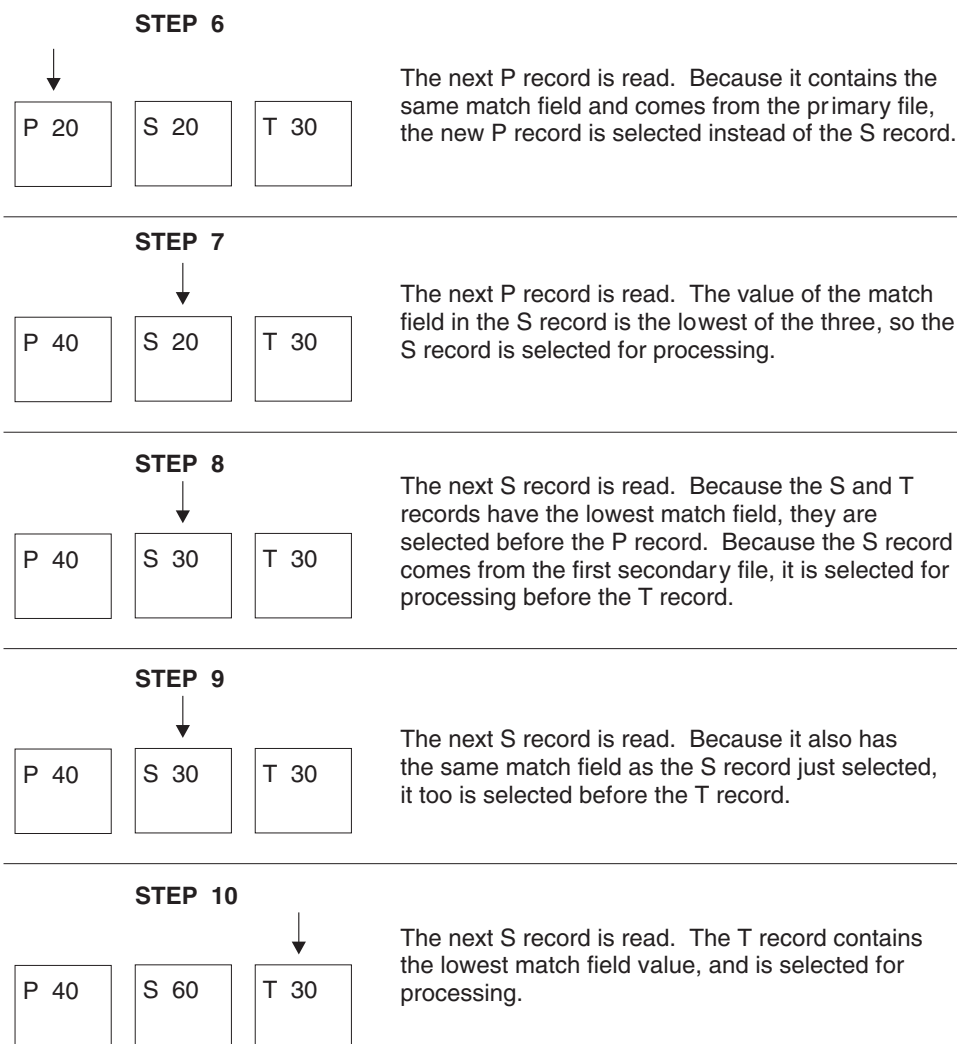


Figure 45. Normal Record Selection from Three Disk Files (Part 2 of 2)

## File Translation

The file translation function translates any of the 8-bit codes used for characters into another 8-bit code. The use of file translation indicates one or both of the following:

- A character code used in the input data must be translated into the system code.
- The output data must be translated from the system code into a different code. The translation on input data occurs before any field selection has taken place. The translation on output data occurs after any editing taken place.

Remember the following when specifying file translation:

- File translation can be specified for data in array or table files (T in position 18 of the file description specifications).
- File translation can be used with data in combined, input, or update files that are translated at input and output time according to the file translation table provided. If file translation is used to translate data in an update file, each record must be written before the next record is read.

## File Translation

- For any I/O operation that specifies a search argument in factor 1 (such as CHAIN, READE, READPE, SETGT, or SETLL) for files accessed by keys, the search argument is translated before the file is accessed.
- If file translation is specified for both a record address file and the file being processed (if the file being processed is processed sequentially within limits), the records in the record address file are first translated according to the file translation specified for that file, and then the records in the file being processed are translated according to the file translation specified for that file.
- File translation applies only on a single byte basis.
- Every byte in the input and output record is translated

### Specifying File Translation

To specify file translation, use the FTRANS keyword on the control specification. The translations must be transcribed into the correct record format for entry into the system. These records, called the file translation table records, must precede any alternate collating sequence records, or arrays and tables loaded at compile time. They must be preceded by a record with **\*\*b** (b = blank) in positions 1 through 3 or **\*\*FTRANS** in positions 1 through 8. The remaining positions in this record can be used for comments.

### Translating One File or All Files

File translation table records must be formatted as follows:

| Record Position                         | Entry                                                                                                                                                                                                                                                                                               |
|-----------------------------------------|-----------------------------------------------------------------------------------------------------------------------------------------------------------------------------------------------------------------------------------------------------------------------------------------------------|
| 1-8 (to translate all files)            | Enter *FILESbb (b represents a blank) to indicate that all files are to be translated. Complete the file translation table record beginning with positions 11 and 12. If *FILESbb is specified, no other file translation table can be specified in the program.                                    |
| 1-8 (to translate a specific file)      | Enter the name of the file to be translated. Complete the file translation table record beginning with positions 11 and 12. The *FILESbb entry is <i>not</i> made in positions 1 through 8 when a specific file is to be translated.                                                                |
| 9-10                                    | Blank                                                                                                                                                                                                                                                                                               |
| 11-12                                   | Enter the hexadecimal value of the character to be translated from on input or to be translated to on output.                                                                                                                                                                                       |
| 13-14                                   | Enter the hexadecimal equivalent of the internal character the RPG IV language works with. It will replace the character in positions 11 and 12 on input and be replaced by the character in positions 11 and 12 on output.                                                                         |
| 15-18<br>19-22<br>23-26<br>...<br>77-80 | All groups of four beginning with position 15 are used in the same manner as positions 11 through 14. In the first two positions of a group, enter the hexadecimal value of the character to be replaced. In the last two positions, enter the hexadecimal value of the character that replaces it. |

The first blank entry ends the record. There can be one or more records per file translation table. When multiple records are required in order to define the table, the same file name must be entered on all records. A change in file name is used to separate multiple translation tables. An \*FILES record causes all files, including tables and arrays specified by a T in position 18 of the file description specifications, to be translated by the same table.

```
HKeywords+++++
 * In this example all the files are translated
H FTRANS
FFilename++IPEASFRlen+LKlen+AIDevice+.Keywords+++++
FFILE1 IP F 10 DISK
FFILE2 IS F 10 DISK
FFILE3 IS F 10 DISK
FFILE4 IS F 10 DISK
**FTRANS
*FILES 81C182C283C384C4
```

```
HKeywords+++++
 * In this example different translate tables are used and
 * FILE3 is not translated.
H FTRANS
FFilename++IPEASFRlen+LKlen+AIDevice+.Keywords+++++
FFILE1 IP F 10 DISK
FFILE2 IS F 10 DISK
FFILE3 IS F 10 DISK
FFILE4 IS F 10 DISK
**FTRANS
FILE1 8182
FILE2 C1C2
FILE4 81C182C283C384C4
```

## Translating More Than One File

If the same file translation table is needed for more than one file but not for all files, two types of records must be specified. The first record type specifies the file using the tables, and the second record type specifies the table. More than one record for each of these record types can be specified. A change in file names is used to separate multiple translation tables.

### Specifying the Files

File translation table records must be formatted as follows:

| Record Position | Entry                                                                                                                                 |
|-----------------|---------------------------------------------------------------------------------------------------------------------------------------|
| 1-7             | *EQUATE                                                                                                                               |
| 8-10            | Leave these positions blank.                                                                                                          |
| 11-80           | Enter the name(s) of file(s) to be translated. If more than one file is to be translated, the file names must be separated by commas. |

Additional file names are associated with the table until a file name not followed by a comma is encountered. A file name cannot be split between two records; a comma following a file name must be on the same record as the file name. You can create only one file translation table by using \*EQUATE.

### Specifying the Table

File translation table records must be formatted as follows:

| Record Position | Entry   |
|-----------------|---------|
| 1-7             | *EQUATE |

## File Translation

| Record Position                         | Entry                                                                                                                                                                                                                                                                                         |
|-----------------------------------------|-----------------------------------------------------------------------------------------------------------------------------------------------------------------------------------------------------------------------------------------------------------------------------------------------|
| 8-10                                    | Leave these positions blank.                                                                                                                                                                                                                                                                  |
| 11-12                                   | Enter the hexadecimal value of the character to be translated from on input or to be translated to on output.                                                                                                                                                                                 |
| 13-14                                   | Enter the hexadecimal equivalent of the internal character the RPG IV language works with. It will replace the character in positions 11 and 12 on input and be replaced by the character in positions 11 and 12 on output.                                                                   |
| 15-18<br>19-22<br>23-26<br>...<br>77-80 | All groups of four beginning with position 15 are used the same way as positions 11 through 14. In the first two positions of a group, enter the hexadecimal value of the character to be replaced. In the last two positions, enter the hexadecimal value of the character that replaces it. |

The first blank record position ends the record. If the number of entries exceeds 80 positions, duplicate positions 1 through 10 on the next record and continue as before with the translation pairs in positions 11 through 80. All table records for one file must be kept together.

The records that describe the file translation tables must be preceded by a record with **\*\*b** (b = blank) in positions 1 through 3 or with **\*\*FTRANS**. The remaining positions in this record can be used for comments.

```

HKeywords+++++
 * In this example several files are translated with the
 * same translation table. FILE2 is not translated.
H FTRANS
FFilename++IPEASFRlen+LKlen+AIDevice+.Keywords+++++
FFILE1 IP F 10 DISK
FFILE2 IS F 10 DISK
FFILE3 IS F 10 DISK
FFILE4 IS F 10 DISK
**FTRANS
*EQUATE FILE1,FILE3,FILE4
*EQUATE 81C182C283C384C485C586C687C788C889C98ACA8BCB8CCC8DCD8ECE8F
*EQUATE 91D192D2

```



---

## Part 2. Definitions

This section provides information on the different types of definitions that can be coded in your source. It describes:

- How to define
  - Standalone fields, arrays, and tables
  - Named constants
  - Data structures and their subfields
  - Prototypes
  - Prototyped parameters
  - Procedure interface
- Scope and storage of definitions as well as how to define each definition type.
- Data types and Data formats
- Editing numeric fields

For information on how to define files, see Chapter 14, “File Description Specifications,” on page 265 and also the chapter on defining files in the *WebSphere Development Studio: ILE RPG Programmer’s Guide*.



---

## Chapter 8. Defining Data and Prototypes

ILE RPG allows you to define the following items:

- Data items such as data structures, data-structure subfields, standalone fields, and named constants. Arrays and tables can be defined as either a data-structure subfield or a standalone field.
- Prototypes, procedure interfaces, and prototyped parameters

This chapter presents information on the following topics:

- General considerations, including definition types, scope, and storage
- Standalone fields
- Constants
- Data Structures
- Prototypes, parameters, and procedure interfaces

---

### General Considerations

You define items by using definition specifications. Definitions can appear in two places within a module or program: within the main source section and within a subprocedure. (The **main source section** consists of the first set of H, F, D, I, C, and O specifications in a module; it corresponds to the specifications found in a standalone program or a main procedure.) Depending on where the definition occurs, there are differences both in what can be defined and also the scope of the definition. Specify the type of definition in positions 24 through 25, as follows:

#### Entry Definition Type

**Blank** A data structure subfield or parameter definition

**C** Named constant

**DS** Data structure

**PI** Procedure interface

**PR** Prototype

**S** Standalone field

Definitions of data structures, prototypes, and procedure interfaces end with the first definition specification with non-blanks in positions 24-25, or with the first specification that is not a definition specification.

## General Considerations

```

-----*
* Global Definitions
-----*
D String S 6A INZ('ABCDEF')
D Spcptr S *
D SpcSiz C 8
D DS1 DS OCCURS(3)
D Fld1 5A INZ('ABCDE')
D Fld1a 1A DIM(5) OVERLAY(Fld1)
D Fld2 5B 2 INZ(123.45)
D Switch PR
D Parm 1A
...
-----*
* Local Definitions
-----*
P Switch B
D Switch PI
D Parm 1A
* Define a local variable.
D Local S 5A INZ('aaaaa')
...
P E

```

Figure 46. Sample Definitions

## Scope of Definitions

Depending on where a definition occurs, it will have different scope. **Scope** refers to the range of source lines where a name is known. There are two types of scope: global and local, as shown in Figure 47.

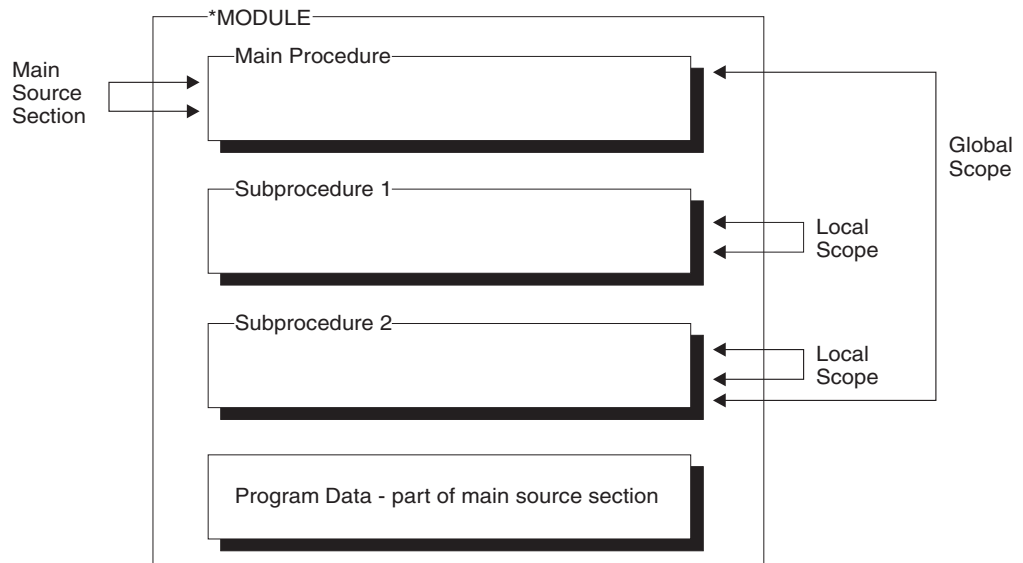


Figure 47. Scope of Definitions

In general, all items that are defined in the main source section are global, and therefore, known throughout the module. **Global definitions** are definitions that can be used by both the main procedure and any subprocedures within the module. They can also be exported.

Items in a subprocedure, on the other hand, are local. **Local definitions** are definitions that are known only inside that subprocedure. If an item is defined with the same name as a global item, then any references to that name inside the subprocedure will use the local definition.

However, note the following exceptions:

- Subroutine names and tag names are known only to the procedure in which they are defined. This includes subroutine or tag names that defined in the main procedure.
- All fields specified on input and output specifications are global. For example, if a subprocedure does an operation using a record format, say a WRITE operation, the global fields will be used even if there are local definitions with the same names as the record format fields.

Sometimes you may have a mix of global and local definitions. For example, KLISTs and PLISTs can be global or local. The fields associated with *global* KLISTs and PLISTs contain only global fields. The fields associated with *local* KLISTs and PLISTs can contain both global and local fields. For more information on the behavior of KLISTs and KFLDs inside subprocedures, see “Scope of Definitions” on page 96.

## Storage of Definitions

Local definitions use automatic storage. **Automatic storage** is storage that exists only for the duration of the call to the procedure. Variables in automatic storage do not save their values across calls.

Global definitions, on the other hand, use static storage. **Static storage** is storage that has a constant location in memory for all calls of a program or procedure. It keeps its value across calls.

Specify the STATIC keyword to indicate that a local field definition use static storage, in which case it will keep its value on each call to the procedure. If the keyword STATIC is specified, the item will be initialized at module initialization time.

Static storage in the main procedure is subject to the RPG cycle, and so the value changes on the next call if LR was on at the end of the last call. However, local static variables will not get reinitialized because of LR in the main procedure.

### TIP

Using automatic storage reduces the amount of storage that is required at run time by the program. The storage is reduced largely because automatic storage is only allocated while the procedure is running. On the other hand, all static storage associated with the program is allocated when the program starts, even if no procedure using the static storage is ever called.

---

## Standalone Fields

Standalone fields allow you to define individual work fields. A standalone field has the following characteristics:

- It has a specifiable internal data type
- It may be defined as an array, table, or field

## Standalone Fields

- It is defined in terms of data length, not in terms of absolute byte positions.

For more information on standalone fields, see:

- Chapter 9, “Using Arrays and Tables,” on page 151
- Chapter 10, “Data Types and Data Formats,” on page 169
- “Definition-Specification Keywords” on page 297

## Variable Initialization

You can initialize data with the “INZ{(initial value)}” on page 311 keyword on the definition specification. Specify an initial value as a parameter on the INZ keyword, or specify the keyword without a parameter and use the default initial values. If the initialization is too complicated to express using the INZ keyword, you can further initialize data in the initialization subroutine.

Default initial values for the various data types are described in Chapter 10, “Data Types and Data Formats,” on page 169. See Chapter 9, “Using Arrays and Tables,” on page 151 for information on initializing arrays.

To reinitialize data while the program is running, use the CLEAR and RESET operations.

The CLEAR operation code sets a record format or variable (field, subfield, indicator, data structure, array, or table) to its default value. All fields in a record format, data structure, or array are cleared in the order in which they are declared.

The RESET operation code restores a variable to its reset value. The reset value for a global variable is the value it had at the end of the initialization step in the RPG IV cycle, after the initialization subroutine has been invoked.

You can use the initialization subroutine to assign initial values to a global variable and then later use RESET to set the variable back to this value. This applies only to the initialization subroutine when it is run automatically as a part of the initialization step.

For local variables the reset value is the value of the variable when the subprocedure was first called, but before the calculations begin.

---

## Constants

Literals and named constants are types of constants. They can be specified in any of the following places:

- In factor 1
- In factor 2
- In an extended factor 2 on the calculation specifications
- As parameters to keywords on the control specification
- As parameters to built-in functions
- In the Field Name, Constant, or Edit Word fields in the output specifications.
- As array indexes
- As the format name in a WORKSTN output specification
- With keywords on the definition specification.

## Literals

A literal is a self-defining constant that can be referred to in a program. A literal can belong to any of the RPG IV data types.

### Character Literals

The following are the rules for specifying a character literal:

- Any combination of characters can be used in a character literal. This includes DBCS characters. DBCS characters must be enclosed by shift-out and shift-in characters and must be an even number of bytes. Embedded blanks are valid.
- A character literal with no characters between the apostrophes is allowed. See Figure 49 on page 125 for examples.
- Character literals must be enclosed in apostrophes (').
- An apostrophe required as part of a literal is represented by two apostrophes. For example, the literal O'CLOCK is coded as 'O'CLOCK'.
- Character literals are compatible only with character data.
- Indicator literals are one byte character literals which contain either '1' (on) or '0' (off).

### Hexadecimal Literals

The following are the rules for specifying a hexadecimal literal:

- Hexadecimal literals take the form:  
X'x1x2...xn'
- where X'x1x2...xn' can only contain the characters A-F, a-f, and 0-9.
- The literal coded between the apostrophes must be of even length.
  - Each pair of characters defines a single byte.
  - Hexadecimal literals are allowed anywhere that character literals are supported except as factor 2 of ENDSR and as edit words.
  - Except when used in the bit operations BITON, BITOFF, and TESTB, a hexadecimal literal has the same meaning as the corresponding character literal. For the bit operations, factor 2 may contain a hexadecimal literal representing 1 byte. The rules and meaning are the same for hexadecimal literals as for character fields.
  - If the hexadecimal literal contains the hexadecimal value for a single quote, it does not have to be specified twice, unlike character literals. For example, the literal A'B is specified as 'A'B' but the hexadecimal version is X'C17DC2' not X'C17D7DC2'.
  - Normally, hexadecimal literals are compatible only with character data. However, a hexadecimal literal that contains 16 or fewer hexadecimal digits can be treated as an unsigned numeric value when it is used in a numeric expression or when a numeric variable is initialized using the INZ keyword.

### Numeric Literals

The following are the rules for specifying a numeric literal:

- A numeric literal consists of any combination of the digits 0 through 9. A decimal point or a sign can be included.
- The sign (+ or -), if present, must be the leftmost character. An unsigned literal is treated as a positive number.

## Constants

- Blanks cannot appear in a numeric literal.
- Numeric literals are not enclosed in apostrophes (').
- Numeric literals are used in the same way as a numeric field, except that values cannot be assigned to numeric literals.
- The decimal separator may be either a comma or a period

Numeric literals of the float format are specified differently. Float literals take the form:

`<mantissa>E<exponent>`

Where

`<mantissa>` is a literal as described above with 1 to 16 digits  
`<exponent>` is a literal with no decimal places, with a value between -308 and +308

- Float literals do not have to be normalized. That is, the mantissa does not have to be written with exactly one digit to the left of the decimal point. (The decimal point does not even have to be specified.)
- Lower case **e** may be used instead of **E**.
- Either a period ('.') or a comma (',') may be used as the decimal point.
- Float literals are allowed anywhere that numeric constants are allowed except in operations that do not allow float data type. For example, float literals are not allowed in places where a numeric literal with zero decimal positions is expected, such as an array index.
- Float literals follow the same continuation rules as for regular numeric literals. The literal may be split at any point within the literal.

The following lists some examples of valid float literals:

|              |   |                                        |
|--------------|---|----------------------------------------|
| 1E1          | = | 10                                     |
| 1.2e-1       | = | .12                                    |
| -1234.9E0    | = | -1234.9                                |
| 12e12        | = | 12000000000000                         |
| +67,89E+0003 | = | 67890 (the comma is the decimal point) |

The following lists some examples of invalid float literals:

|                       |      |                    |
|-----------------------|------|--------------------|
| 1.234E                | <--- | no exponent        |
| 1.2e-                 | <--- | no exponent        |
| -1234.9E+309          | <--- | exponent too big   |
| 12E-2345              | <--- | exponent too small |
| 1.797693134862316e308 | <--- | value too big      |
| 179.7693134862316E306 | <--- | value too big      |
| 0.0000000001E-308     | <--- | value too small    |

### Date Literals

Date literals take the form D'xx-xx-xx' where:

- D indicates that the literal is of type date
- xx-xx-xx is a valid date in the format specified on the control specification (separator included)
- xx-xx-xx is enclosed by apostrophes

### Time Literals



Time literals take the form T'xx:xx:xx' where:

- T indicates that the literal is of type time
- xx:xx:xx is a valid time in the format specified on the control specification (separator included)
- xx:xx:xx is enclosed by apostrophes

### **Timestamp Literals**

Timestamp literals take the form Z'yyyy-mm-dd-hh.mm.ss.mmmmmm' where:

- Z indicates that the literal is of type timestamp
- yyyy-mm-dd is a valid date (year-month-day)
- hh.mm.ss.mmmmmm is a valid time (hours.minutes.seconds.microseconds)
- yyyy-mm-dd-hh.mm.ss.mmmmmm is enclosed by apostrophes
- Microseconds are optional and if not specified will default to zeros

### **Graphic Literals**

Graphic literals take the form G'oK1K2i' where:

- G indicates that the literal is of type graphic
- o is a shift-out character
- K1K2 is an even number of bytes (possibly zero) and does not contain a shift-out or shift-in character
- i is a shift-in character
- oK1K2i is enclosed by apostrophes

### **UCS-2 Literals**

UCS-2 literals take the form U'Xxxx...Yyyy' where:

- U indicates that the literal is of type UCS-2.
- Each UCS-2 literal requires four bytes per UCS-2 character in the literal. Each four bytes of the literal represents one double-byte UCS-2 character.
- UCS-2 literals are compatible only with UCS-2 data.

UCS-2 literals are assumed to be in the default UCS-2 CCSID of the module.

Example of Defining Literals

```

*.. 1 ...+... 2 ...+... 3 ...+... 4 ...+... 5 ...+... 6 ...+... 7 ...+... 8
H DATFMT(*ISO)
* Examples of literals used to initialize fields
DName+++++ETDsFrom+++To/L+++IDc.Keywords+++++
D.....Keywords+++++
D DateField S D INZ(D'1988-09-03')
D NumField S 5P 1 INZ(5.2)
D CharField S 10A INZ('abcdefghij')
D UCS2Field S 2C INZ(U'00610062')
* Even though the date field is defined with a 2-digit year, the
* initialization value must be defined with a 4-digit year, since
* all literals must be specified in date format specified
* on the control specification.
D YmdDate S D INZ(D'2001-01-13')
D S DATFMT(*YMD)
* Examples of literals used to define named constants
D DateConst C CONST(D'1988-09-03')
D NumConst C CONST(5.2)
D CharConst C CONST('abcdefghij')

* Note that the CONST keyword is not required.
D Upper C 'ABCDEFGHJKLMNOPQRSTUVWXYZ'

* Note that the literal may be continued on the next line
D Lower C 'abcdefghijklmn-
D S opqrstuvwxyz'

* Examples of literals used in operations
C EVAL CharField = 'abc'
C IF NumField > 12
C EVAL DateField = D'1995-12-25'
C ENDIF

```

Figure 48. Defining named constants

## Example of Using Literals with Zero Length

```

*.. 1 ...+... 2 ...+... 3 ...+... 4 ...+... 5 ...+... 6 ...+... 7 ...+... 8
DName+++++ETDsFrom+++To/L+++IDc.Keywords+++++
D.....Keywords+++++
* The following two definitions are equivalent:
D varfld1 S 5 INZ VARYING
D varfld2 S 5 INZ('') VARYING
* Various fields used by the examples below:
D blanks S 10 INZ
D vblanks S 10 INZ(' ') VARYING
D fixfld1 S 5 INZ('abcde')
* VGRAPHIC and VUCS2 are initialized with zero-length literals.
D vgraphic S 10G INZ(G'oi') VARYING
D vucs2 S 10C INZ(U'') VARYING
CL0N01Factor1+++++Opcode(E)+Factor2+++++Result+++++Len++D+HiLoEq++++
* The following statements do the same thing:
C eval varfld1 = ''
C clear varfld1
* Moving '' to a variable-length field using MOVE(P) or MOVE1(P)
* sets the field to blanks up to the fields current length.
C move(p) '' varfld1
C move1(p) '' varfld1

* Moving '' to a fixed-length field has no effect in the following
* examples: (The rightmost or leftmost 0 characters are changed.)
C move '' fixfld1
C move1 '' fixfld1

* The following comparisons demonstrate how the shorter operand
* is padded with blanks:
C eval *in01 = (blanks = '')
* *in01 is '1'

C eval *in02 = (vblanks = '')
* *in02 is '1'

C eval *in03 = (varfld2 = blanks)
* *in03 is '1'

C eval *in04 = (varfld2 = vblanks)
* *in04 is '1'

C eval *in05 = (%len(vgraphic)=0)
* *in05 is '1'

C eval *in06 = (%len(vucs2)=0)
* *in06 is '1'

```

Figure 49. Character, Graphic, and UCS-2 Literals with Zero Length

## Named Constants

You can give a name to a constant. This name represents a specific value which cannot be changed when the program is running. Numeric named constants have no predefined precision. Their actual precision is defined by the context that is specified.

See Figure 48 on page 124 for examples of defining named constants. The value of the named constant is specified in the keyword section of the definition specification. The presence of the keyword `CONST` is optional, however. For example, to assign a value of 'ab' to a constant, you could specify either `CONST('ab')` or `'ab'` in the keyword section.

## Figurative Constants

The figurative constants \*BLANK/\*BLANKS, \*ZERO/\*ZEROS, \*HIVAL, \*LOVAL, \*NULL, \*ALL'x..', \*ALLG'oK1K2i', \*ALLU'XxxxYyyy', \*ALLX'x1..', and \*ON/\*OFF are implied literals that can be specified without a length, because the implied length and decimal positions of a figurative constant are the same as those of the associated field. (For exceptions, see the following section, "Rules for Figurative Constants" on page 127.)

Figurative constants can be specified in factor 1 and factor 2 of the calculation specifications. The following shows the reserved words and implied values for figurative constants:

### Reserved Words

#### Implied Values

#### \*BLANK/\*BLANKS

All blanks. Valid only for character, graphic, or UCS-2 fields. The value for character is ' ' (blank) or X'40', for graphic is X'4040', and for UCS-2 is X'0020'.

#### \*ZERO/\*ZEROS

**Character/numeric fields:** All zeros. The value is '0' or X'F0'. **For numeric float fields:** The value is '0 E0'.

#### \*HIVAL

Character, graphic, or UCS-2 fields: The highest collating character for the system (hexadecimal FFs). **Numeric fields:** The maximum value allowed for the corresponding field (with a positive sign if applicable). **For Float fields:** \*HIVAL for 4-byte float = 3.402 823 5E38 (/x'7F7FFFFFFF'/) \*HIVAL for 8-byte float = 1.797 693 134 862 315 E308 (/x'7FEFFFFFFFFFFFFFFF'/) **Date, time and timestamp fields:** See "Date Data Type" on page 195, "Time Data Type" on page 198 and "Timestamp Data Type" on page 199 for \*HIVAL values for date, time, and timestamp data.

#### \*LOVAL

Character, graphic, or UCS-2 fields: The lowest collating character for the system (hexadecimal zeros). **Numeric fields:** The minimum value allowed (with a negative sign if applicable). **For Float fields:** \*LOVAL for 4-byte float = -3.402 823 5E38 (/x'FF7FFFFFFF'/) \*LOVAL for 8-byte float = -1.797 693 134 862 315 E308 (/x'FFEFFFFFFFFFFFFFFF'/) **Date, time and timestamp fields:** See "Date Data Type" on page 195, "Time Data Type" on page 198 and "Timestamp Data Type" on page 199 for \*LOVAL values for date, time, and timestamp data.

#### \*ALL'x..'

**Character/numeric fields:** Character string x . . is cyclically repeated to a length equal to the associated field. If the field is a numeric field, all characters within the string must be numeric (0 through 9). No sign or decimal point can be specified when \*ALL'x..' is used as a numeric constant.

**Note:** You cannot use \*ALL'x..' with numeric fields of float format.

**Note:** For numeric integer or unsigned fields, the value is never greater than the maximum value allowed for the corresponding field. For example, \*ALL'95' represents the value 9595 if the corresponding field is a 5-digit integer field, since 95959 is greater than the maximum value allowed for a 5-digit signed integer.

#  
#

**\*ALLG'oK1K2i'**

**Graphic fields:** The graphic string K1K2 is cyclically repeated to a length equal to the associated field.

**\*ALLU'XxxxYyyy'**

**UCS-2 fields:** A figurative constant of the form \*ALLU'XxxxYyyy' indicates a literal of the form 'XxxxYyyyXxxxYyyy...' with a length determined by the length of the field associated with the \*ALLU'XxxxYyyy' constant. Each double-byte character in the constant is represented by four hexadecimal digits. For example, \*ALLU'0041' represents a string of repeated UCS-2 'A's.

**\*ALLX'x1..'**

**Character fields:** The hexadecimal literal X'x1..' is cyclically repeated to a length equal to the associated field.

**\*NULL**

A null value valid for basing pointers, procedure pointers, or objects.

**\*ON/\*OFF**

\*ON is all ones ('1' or X'F1'). \*OFF is all zeros ('0' or X'F0'). Both are only valid for character fields.

**Rules for Figurative Constants**

Remember the following rules when using figurative constants:

- MOVE and MOVEA operations allow you to move a character figurative constant to a numeric field. The figurative constant is first expanded as a zoned numeric with the size of the numeric field, then converted to packed or binary numeric if needed, and then stored in the target numeric field. The digit portion of each character in the constant must be valid. If not, a decimal data error will occur.
- Figurative constants are considered elementary items. Except for MOVEA, figurative constants act like a field if used in conjunction with an array. For example: MOVE \*ALL'XYZ' ARR.  
If ARR has 4-byte character elements, then each element will contain 'XYZX'.
- MOVEA is considered to be a special case. The constant is generated with a length equal to the portion of the array specified. For example:
  - MOVEA \*BLANK ARR(X)  
Beginning with element X, the remainder of ARR will contain blanks.
  - MOVEA \*ALL'XYZ' ARR(X)  
ARR has 4-byte character elements. Element boundaries are ignored, as is always the case with character MOVEA operations. Beginning with element X, the remainder of the array will contain 'XYZXYZXYZ...'.

Note that the results of MOVEA are different from those of the MOVE example above.

- After figurative constants are set/reset to their appropriate length, their normal collating sequence can be altered if an alternate collating sequence is specified.
- The move operations MOVE and MOVEA produce the same result when moving the figurative constants \*ALL'x..', \*ALLG'oK1K2i', and \*ALLX'x1..''. The string is cyclically repeated character by character (starting on the left) until the length of the associated field is the same as the length of the string.
- Figurative constants can be used in compare operations as long as one of the factors is not a figurative constant.

## Constants

- The figurative constants, \*BLANK/\*BLANKS, are moved as zeros to a numeric field in a MOVE operation.

---

## Data Structures

The ILE RPG compiler allows you to define an area in storage and the layout of the fields, called subfields, within the area. This area in storage is called a **data structure**. You define a data structure by specifying DS in positions 24 through 25 on a definition specification.

You can use a data structure to:

- Define the same internal area multiple times using different data formats
- Define a data structure and its subfields in the same way a record is defined.
- Define multiple occurrences of a set of data.
- Group non-contiguous data into contiguous internal storage locations.
- Operate on all the subfields as a group using the name of the data structure.
- Operate on an individual subfield using its name.

In addition, there are four special data structures, each with a specific purpose:

- A data area data structure (identified by a U in position 23 of the definition specification)
- A file information data structure (identified by the keyword INFDS on a file description specification)
- A program-status data structure (identified by an S in position 23 of the definition specification)
- An indicator data structure (identified by the keyword INDDS on a file description specification).

Data structures can be either program-described or externally described, except for indicator data structures, which are program-described only. One data structure can be defined like another using the LIKEDS keyword.

A program-described data structure is identified by a blank in position 22 of the definition specification. The subfield definitions for a program-described data structure must immediately follow the data structure definition.

An externally described data structure, identified by an E in position 22 of the definition specification, has subfield descriptions contained in an externally described file. At compile time, the ILE RPG compiler uses the external name to locate and extract the external description of the data structure subfields. You specify the name of the external file either in positions 7 through 21, or as a parameter for the keyword EXTNAME .

**Note:** The data formats specified for the subfields in the external description are used as the internal formats of the subfields by the compiler. This differs from the way in which externally described files are treated.

An external subfield name can be renamed in the program using the keyword EXTFLD. The keyword PREFIX can be used to add a prefix to the external subfield names that have not been renamed with EXTFLD. Note that the data structure subfields are not affected by the PREFIX keyword specified on a file-description specification even if the file name is the same as the parameter specified in the EXTNAME keyword when defining the data structure using an external file name.

Additional subfields can be added to an externally described data structure by specifying program-described subfields immediately after the list of external subfields.

## Qualifying Data Structure Names

The keyword QUALIFIED indicates that subfields of the data structure are referenced using qualified notation. This permits access by specifying the data structure name followed by a period and the subfield name, for example DS1.FLD1. If the QUALIFIED keyword is not used, the subfield name remains unqualified, for example FLD1. If QUALIFIED is used the subfield name can be specified by one of the following:

- A **"Simply Qualified Name"** is a name of the form **"A.B"**. Simply qualified names are allowed as arguments to keywords on File and Definition Specifications; in the Field-Name entries on Input and Output Specifications; and in the Factor 1, Factor 2, and Result-Field entries on fixed-form calculation specifications, i.e.dsname.subf. While spaces are permitted between elements of a fully-qualified name, they are not permitted in simply qualified names.
- A **"Fully Qualified Name"** is a name with qualification and indexing to an arbitrary number of levels, for example, **"A(X).B.C(Z+17)"**. Fully qualified names are allowed in most free-form calculation specifications, or in any Extended-Factor-2 entry. This includes operation codes CLEAR and DSPLY coded in free-form calculations.

In addition, arbitrary levels of indexing and qualification are allowed. For example, a programmer could code:ds(x).subf1.s2.s3(y+1).s4 as an operand within an expression. Please see "QUALIFIED" on page 333 for further information on the use of the QUALIFIED keyword.

Fully qualified names may be specified as the Result-Field operand for opcodes CLEAR and DSPLY when coded in free-form calc specs. Expressions are allowed as Factor 1 and Factor 2 operands for opcode DSPLY (coded in free-form calculation specifications), however, if the operand is more complex than a fully qualified name, the expression must be enclosed in parentheses.

## Array Data Structures

An **"Array Data Structure"** is a data structures defined with keyword DIM. An array data structure is like a multiple-occurrence data structure, except that the index is explicitly specified, as with arrays.

### Notes:

1. Keyword DIM is allowed for data structures defined as QUALIFIED.
2. When keyword DIM is coded for a data structure or LIKEDS subfield, array keywords CTDATA, FROMFILE, and TOFILE are not allowed. In addition, the following data structure keywords are not allowed for an array data structure:
  - DTAARA
  - OCCURS.
3. For a data structure X defined with LIKEDS(Y), if data structure Y is defined with keyword DIM, data structure X is not defined as an array data structure.
4. If X is a subfield in array data structure DS, then an array index must be specified when referring to X in a qualified name. In addition, the array index may not be \*. Within a fully qualified name expression, an array index may only be omitted (or \* specified) for the right-most name.

## Defining Data Structure Parameters in a Prototype or Procedure Interface

To define a prototyped parameter as a data structure, you must first define the layout of the parameter by defining an ordinary data structure. Then, you can define a prototyped parameter as a data structure by using the `LIKEDS` keyword. To use the subfields of the parameter, specify the subfields qualified with parameter name: `dsparm.subfield`. For example

```

* PartInfo is a data structure describing a part.
D PartInfo DS QUALIFIED
D Manufactr 4
D Drug 6
D Strength 3
D Count 3 0
* Procedure "Proc" has a parameter "Part" that is a data
* structure whose subfields are the same as the subfields
* in "PartInfo". When calling this procedure, it is best
* to pass a parameter that is also defined LIKEDS(PartInfo)
* (or pass "PartInfo" itself), but the compiler will allow
* you to pass any character field that has the correct
* length.
D Proc PR
D Part LIKEDS(PartInfo)
P Proc B
* The procedure interface also defines the parameter Part
* with keyword LIKEDS(PartInfo).
* This means the parameter is a data structure, and the subfields
* can be used by specifying them qualified with "Part.", for
* example "Part.Strength"
D Proc PI
D Part LIKEDS(PartInfo)
C IF Part.Strength > getMaxStrength (Part.Drug)
C CALLP PartError (Part : DRUG_STRENGTH_ERROR)
C ELSE
C EVAL Part.Count = Part.Count + 1
C ENDIF
P Proc E

```

## Defining Data Structure Subfields

You define a subfield by specifying blanks in the Definition-Type entry (positions 24 through 25) of a definition specification. The subfield definition(s) must immediately follow the data structure definition. The subfield definitions end when a definition specification with a non-blank Definition-Type entry is encountered, or when a different specification type is encountered.

The name of the subfield is entered in positions 7 through 21. To improve readability of your source, you may want to indent the subfield names to show visually that they are subfields.

If the data structure is defined with the `QUALIFIED` keyword, the subfield names can be the same as other names within your program. The subfield names will be qualified by the owning data structure when they are used.

You can also define a subfield like an existing item using the `LIKE` keyword. When defined in this way, the subfield receives the length and data type of the item on



which it is based. Similarly, you can use the LIKEDS keyword to define an entire data structure like an existing item. See Figure 117 on page 314 for an example using the LIKE keyword.

The keyword LIKEDS is allowed on any subfield definition. When specified, the subfield is defined to be a data structure, with its own set of subfields. If data structure DS has subfield S1 which is defined like a data structure with a subfield S2, a programmer must refer to S2 using the expression DS.S1.S2.

#### Notes:

1. Keyword LIKEDS is allowed for subfields only within QUALIFIED data structures.
2. Keywords DIM and LIKEDS are both allowed on the same subfield definition.

You can overlay the storage of a previously defined subfield with that of another subfield using the OVERLAY keyword. The keyword is specified on the later subfield definition. See Figure 54 on page 138 for an example using the OVERLAY keyword.

### Specifying Subfield Length

The length of a subfield may be specified using absolute (positional) or length notation, or its length may be implied.

**Absolute** Specify a value in both the From-Position (positions 26 through 32) and the To-Position/Length (positions 33 through 39) entries on the definition specification.

**Length** Specify a value in the To-Position/Length (positions 33 through 39) entry. The From-Position entry is blank.

#### Implied Length

If a subfield appears in the first parameter of one or more OVERLAY keywords, the subfield can be defined without specifying any type or length information. In this case, the type is character and the length is determined by the overlaid subfields.

In addition, some data types, such as Pointers, Dates, Times and Timestamps have a fixed length. For these types, the length is implied, although it can be specified.

When using length notation, the subfield is positioned such that its starting position is greater than the maximum To-Position of all previously defined subfields. For examples of each notation, see “Data Structure Examples” on page 134.

### Aligning Data Structure Subfields

Alignment of subfields may be necessary. In some cases it is done automatically; in others, it must be done manually.

For example, when defining subfields of type basing pointer or procedure pointer using the length notation, the compiler will automatically perform padding if necessary to ensure that the subfield is aligned properly.

When defining float, integer or unsigned subfields, alignment may be desired to improve run-time performance. If the subfields are defined using length notation, you can automatically align float, integer or unsigned subfields by specifying the keyword ALIGN on the data structure definition. However, note the following exceptions:

## Data Structures

- The ALIGN keyword is not allowed for a file information data structure or a program status data structure.
- Subfields defined using the keyword OVERLAY are not aligned automatically, even if the keyword ALIGN is specified for the data structure. In this case, you must align the subfields manually.

Automatic alignment will align the fields on the following boundaries.

- 2 bytes for 5-digit integer or unsigned subfields
- 4 bytes for 10-digit integer or unsigned subfields or 4-byte float subfields
- 8 bytes for 20-digit integer or unsigned subfields
- 8 bytes for 8-byte float subfields
- 16 bytes for pointer subfields

If you are aligning fields manually, make sure that they are aligned on the same boundaries. A start-position is on an  $n$ -byte boundary if  $((\text{position} - 1) \bmod n) = 0$ . (The value of " $x \bmod y$ " is the remainder after dividing  $x$  by  $y$  in integer arithmetic. It is the same as the MVR value after  $X \text{ DIV } Y$ .)

Figure 50 shows a sequence of bytes and identifies the different boundaries used for alignment.

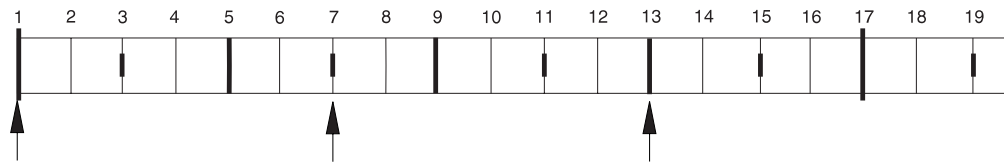


Figure 50. Boundaries for Data Alignment

Note the following about the above byte sequence:

- Position 1 is on a 16-byte boundary, since  $((1-1) \bmod 16) = 0$ .
- Position 13 is on a 4-byte boundary, since  $((13-1) \bmod 4) = 0$ .
- Position 7 is *not* on a 4-byte boundary, since  $((7-1) \bmod 4) = 2$ .

### Initialization of Nested Data Structures

The keyword INZ(\*LIKEDS) is allowed on a LIKEDS subfield. The LIKEDS subfield is initialized exactly the same as the corresponding data structure.

Keyword INZ is allowed on a LIKEDS subfield. All nested subfields of the LIKEDS subfield are initialized to their default values. This also applies to more deeply nested LIKEDS subfields, with the exception of nested LIKEDS subfields with INZ(\*LIKEDS) specified.

If keyword INZ is coded on a main data structure definition, keyword INZ is implied on all subfields of the data structure without explicit initialization. This includes LIKEDS subfields.

## Special Data Structures

Special data structures include:

- Data area data structures
- File information data structures (INFDS)
- Program-status data structures

- Indicator data structures.

Note that the above data structures cannot be defined in subprocedures.

### Data Area Data Structure

A data area data structure, identified by a U in position 23 of the definition specification, indicates to the compiler that it should read in and lock the data area of the same name at program initialization and should write out and unlock the same data area at the end of the program. Locking does not apply to the local data area (see “Local Data Area (\*LDA)”). Data area data structures, as in all other data structures, have the type character. A data area read into a data area data structure must also be character. The data area and data area data structure must have the same name unless you rename the data area within the ILE RPG program by using the \*DTAARA DEFINE operation code or the DTAARA keyword.

You can specify the data area operations (IN, OUT, and UNLOCK) for a data area that is implicitly read in and written out. Before you use a data area data structure with these operations, you must specify that data area data structure name in the result field of the \*DTAARA DEFINE operation or with the DTAARA keyword.

A data area data structure cannot be specified in the result field of a PARM operation in the \*ENTRY PLIST.

**Local Data Area (\*LDA):** If you specify blanks for the data area data structure (positions 7 through 21 of the definition specification that contains a U in position 23), the compiler uses the local data area. To provide a name for the local data area, use the \*DTAARA DEFINE operation, with \*LDA in factor 2 and the name in the result field or DTAARA(\*LDA) on the definition specification.

### File Information Data Structure

You can specify a file information data structure (defined by the keyword INFDS on a file description specifications) for each file in the program. This provides you with status information on the file exception/error that occurred. The file information data structure name must be unique for each file. A file information data structure contains predefined subfields that provide information on the file exception/error that occurred. For a discussion of file information data structures and their subfields, see “File Information Data Structure” on page 65.

### Program-Status Data Structure

A program-status data structure, identified by an S in position 23 of the definition specification, provides program exception/error information to the program. For a discussion of program-status data structures and their predefined subfields, see “Program Status Data Structure” on page 83.

### Indicator Data Structure

An indicator data structure is identified by the keyword INDDS on the file description specifications. It is used to store conditioning and response indicators passed to and from data management for a file. By default, the indicator data structure is initialized to all zeros (‘0’s).

The rules for defining the data structure are:

- It must not be externally described.
- It can only have fields of indicator format.
- It can be defined as a multiple occurrence data structure.

## Data Structures

- %SIZE for the data structure will return 99. For a multiple occurrence data structure, %SIZE(ds:\*ALL) will return a multiple of 99. If a length is specified, it must be 99.
- Subfields may contain arrays of indicators as long as the total length does not exceed 99.

## Data Structure Examples

The following examples show various uses for data structures and how to define them.

| Example               | Description                                                                                               |
|-----------------------|-----------------------------------------------------------------------------------------------------------|
| Figure 51 on page 135 | Using a data structure to subdivide a field                                                               |
| Figure 52 on page 136 | Using a data structure to group fields                                                                    |
| Figure 53 on page 137 | Using keywords QUALIFIED, LIKEDS, and DIM with data structures, and how to code fully-qualified subfields |
| Figure 54 on page 138 | Data structure with absolute and length notation                                                          |
| Figure 55 on page 138 | Rename and initialize an externally described data structure                                              |
| Figure 56 on page 139 | Using PREFIX to rename all fields in an external data structure                                           |
| Figure 57 on page 139 | Defining a multiple occurrence data structure                                                             |
| Figure 58 on page 140 | Aligning data structure subfields                                                                         |
| Figure 59 on page 141 | Defining a *LDA data area data structure                                                                  |
| Figure 60 on page 142 | Using data area data structures (1)                                                                       |
| Figure 61 on page 142 | Using data area data structures (2)                                                                       |
| Figure 62 on page 143 | Using an indicator data structure                                                                         |
| Figure 63 on page 144 | Using a multiple-occurrence indicator data structure                                                      |

```

*.. 1 ...+... 2 ...+... 3 ...+... 4 ...+... 5 ...+... 6 ...+... 7 ...+... 8
DName+++++ETDsFrom+++To/L+++IDc.Keywords+++++
D.....Keywords+++++
*
* Use length notation to define the data structure subfields.
* You can refer to the entire data structure by using Partno, or by
* using the individual subfields Manufactr, Drug, Strength or Count.
*
D Partno DS
D Manufactr 4
D Drug 6
D Strength 3
D Count 3 0
D
*.. 1 ...+... 2 ...+... 3 ...+... 4 ...+... 5 ...+... 6 ...+... 7 ...+... 8
IFilename++SqNORiPos1+NCCPos2+NCCPos3+NCC.....
I.....Fmt+SPFrom+To+++DcField+++++L1M1FrP1MnZr.....
*
* Records in program described file FILEIN contain a field, Partno,
* which needs to be subdivided for processing in this program.
* To achieve this, the field Partno is described as a data structure
* using the above Definition specification
*
IFILEIN NS 01 1 CA 2 CB
I 3 18 Partno
I 19 29 Name
I 30 40 Patno

```

Figure 51. Using a Data structure to subdivide a field

```

*.. 1 ...+... 2 ...+... 3 ...+... 4 ...+... 5 ...+... 6 ...+... 7 ...+... 8
DName+++++++ETDsFrom+++To/L+++IDc.Keywords+++++++
D.....Keywords+++++++
*
* When you use a data structure to group fields, fields from
* non-adjacent locations on the input record can be made to occupy
* adjacent internal locations. The area can then be referred to by
* the data structure name or individual subfield name.
*
D Partkey DS
D Location 4
D Partno 8
D Type 4
D
*.. 1 ...+... 2 ...+... 3 ...+... 4 ...+... 5 ...+... 6 ...+... 7 ...+... 8
IFilename++SqNORiPos1+NCCPos2+NCCPos3+NCC.....
I.....Fmt+SPFrom+To+++DcField+++++++L1M1FrP1MnZr.....
*
* Fields from program described file TRANSACTN need to be
* compared to the field retrieved from an Item_Master file
*
ITRANSACTN NS 01 1 C1 2 C2
I 3 10 Partno
I 11 16 Quantity
I 17 20 Type
I 21 21 Code
I 22 25 Location
I
*.. 1 ...+... 2 ...+... 3 ...+... 4 ...+... 5 ...+... 6 ...+... 7 ...+... 8
CL0N01Factor1+++++Opcode(E)+Factor2+++++Result+++++Len++D+HiLoEq....
*
* Use the data structure name Partkey, to compare to the field
* Item_Nbr
*
C :
C Partkey IFEQ Item_Nbr 99
C :
C*

```

Figure 52. Using a data structure to group fields

```

D CustomerInfo DS QUALIFIED BASED(@)
D Name 20A
D Address 50A

D ProductInfo DS QUALIFIED BASED(@)
D Number 5A
D Description 20A
D Cost 9P 2

D SalesTransaction...
D DS QUALIFIED
D Buyer LIKEDS(CustomerInfo)
D Seller LIKEDS(CustomerInfo)
D NumProducts 10I 0
D Products LIKEDS(ProductInfo)
D DIM(10)

/free
TotalCost = 0;
for i = 1 to SalesTransation. Numproducts;
 TotalCost = TotalCost + SalesTransaction.Products (i).Cost;
 dsply SalesTransaction.Products (i).Cost;
endfor;
dsply ('Total cost is ' + %char(TotalCost));
/end-free

```

Figure 53. Using Keywords QUALIFIED, LIKEDS and DIM with data structures

```

*.. 1 ...+... 2 ...+... 3 ...+... 4 ...+... 5 ...+... 6 ...+... 7 ...+... 8
DName+++++ETDsFrom+++To/L+++IDc.Keywords+++++
D.....Keywords+++++
*
* Define a program described data structure called FRED
* The data structure is composed of 5 fields:
* 1. An array with element length 10 and dimension 70(Field1)
* 2. A field of length 30 (Field2)
* 3/4. Divide Field2 in 2 equal length fields (Field3 and Field4)
* 5. Define a binary field over the 3rd field
* Note the indentation to improve readability
*
*
* Absolute notation:
*
* The compiler will determine the array element length (Field1)
* by dividing the total length (700) by the dimension (70)
*
D FRED DS
D Field1 1 700 DIM(70)
D Field2 701 730
D Field3 701 715
D Field5 701 704B 2
D Field4 716 730
*
* Length notation:
*
* The OVERLAY keyword is used to subdivide Field2
*
D FRED DS
D Field1 10 DIM(70)
D Field2 30
D Field3 15 OVERLAY(Field2)
D Field5 4B 2 OVERLAY(Field3)
D Field4 15 OVERLAY(Field2:16)

```

Figure 54. Data structure with absolute and length notation

```

*.. 1 ...+... 2 ...+... 3 ...+... 4 ...+... 5 ...+... 6 ...+... 7 ...+... 8
DName+++++ETDsFrom+++To/L+++IDc.Keywords+++++
D.....Keywords+++++
*
* Define an externally described data structure with internal name
* FRED and external name EXTDS and rename field CUST to CUSTNAME
* Initialize CUSTNAME to 'GEORGE' and PRICE to 1234.89.
* Assign to subfield ITMARR the DIM keyword.
* The ITMARR subfield is defined in the external description as a
* 100 byte character field. This divides the 100 byte character
* field into 10 array elements, each 10 bytes long.
* Using the DIM keyword on an externally described numeric subfield
* should be done with caution, because it will divide the field into
* array elements (similar to the way it does when absolute notation
* is used for program described subfields).
*
D Fred E DS EXTNAME(EXTDS)
D CUSTNAME E EXTFLD(CUST) INZ('GEORGE')
D PRICE E INZ(1234.89)
D ITMARR E DIM(10)

```

Figure 55. Rename and initialize an externally described data structure



```

*.. 1 ...+... 2 ...+... 3 ...+... 4 ...+... 5 ...+... 6 ...+... 7 ...+... 8
DName+++++ETDsFrom+++To/L+++IDc.Keywords+++++
D.....Keywords+++++
D
D extds1 E DS EXTNAME (CUSTDATA)
D E PREFIX (CU_)
D Name E INZ ('Joe's Garage')
D Custnum E EXTFLD (NUMBER)
D
*
* The previous data structure will expand as follows:
* -- All externally described fields are included in the data
* structure
* -- Renamed subfields keep their new names
* -- Subfields that are not renamed are prefixed with the
* prefix string
*
* Expanded data structure:
*
D EXTDS1 E DS
D CU_NAME E 20A EXTFLD (NAME)
D E INZ ('Joe's Garage')
D CU_ADDR E 50A EXTFLD (ADDR)
D CUSTNUM E 9S0 EXTFLD (NUMBER)
D CU_SALESMN E 7P0 EXTFLD (SALESMN)

```

Figure 56. Using PREFIX to rename all fields in an external data structure

```

*.. 1 ...+... 2 ...+... 3 ...+... 4 ...+... 5 ...+... 6 ...+... 7 ...+... 8
DName+++++ETDsFrom+++To/L+++IDc.Keywords+++++
D.....Keywords+++++
*
* Define a Multiple Occurrence data structure of 20 elements with:
* -- 3 fields of character 20
* -- A 4th field of character 10 which overlaps the 2nd
* field starting at the second position.
*
* Named constant 'Max_Occur' is used to define the number of
* occurrences.
*
* Absolute notation (using begin/end positions)
*
D Max_Occur C CONST(20)
D
D DataStruct DS OCCURS (Max_Occur)
D field1 1 20
D field2 21 40
D field21 22 31
D field3 41 60
*
* Mixture of absolute and length notation
*
D DataStruct DS OCCURS(twenty)
D field1 20
D field2 20
D field21 22 31
D field3 41 60

```

Figure 57. Defining a multiple occurrence data structure

```

*.. 1 ...+... 2 ...+... 3 ...+... 4 ...+... 5 ...+... 6 ...+... 7 ...+... 8
DName+++++ETDsFrom+++To/L+++IDc.Keywords+++++
* Data structure with alignment:
D MyDS DS ALIGN
* Properly aligned subfields
* Integer subfields using absolute notation.
D Subf1 33 34I 0
D Subf2 37 40I 0
* Integer subfields using length notation.
* Note that Subf3 will go directly after Subf2
* since positions 41-42 are on a 2-byte boundary.
* However, Subf4 must be placed in positions 45-48
* which is the next 4-byte boundary after 42.
D Subf3 5I 0
D Subf4 10I 0
* Integer subfields using OVERLAY.
D Group 10I 120A
D Subf6 5I 0 OVERLAY (Group: 3)
D Subf7 10I 0 OVERLAY (Group: 5)
D Subf8 5U 0 OVERLAY (Group: 9)
* Subfields that are not properly aligned:
* Integer subfields using absolute notation:
D SubfX1 10 11I 0
D SubfX2 15 18I 0
* Integer subfields using OVERLAY:
D BadGroup 10I 120A
D SubfX3 5I 0 OVERLAY (BadGroup: 2)
D SubfX4 10I 0 OVERLAY (BadGroup: 6)
D SubfX5 10U 0 OVERLAY (BadGroup: 11)
* Integer subfields using OVERLAY:
D WorseGroup 200 299A
D SubfX6 5I 0 OVERLAY (WorseGroup)
D SubfX7 10I 0 OVERLAY (WorseGroup: 3)
*
* The subfields receive warning messages for the following reasons:
* SubfX1 - end position (11) is not a multiple of 2 for a 2 byte field.
* SubfX2 - end position (18) is not a multiple of 4 for a 4 byte field.
* SubfX3 - end position (103) is not a multiple of 2.
* SubfX4 - end position (109) is not a multiple of 4.
* SubfX5 - end position (114) is not a multiple of 4.
* SubfX6 - end position (201) is not a multiple of 2.
* SubfX7 - end position (205) is not a multiple of 4.

```

Figure 58. Aligning Data Structure Subfields

```

*.. 1 ...+... 2 ...+... 3 ...+... 4 ...+... 5 ...+... 6 ...+... 7 ...+... 8
DName+++++ETDsFrom+++To/L+++IDc.Keywords+++++
D.....Keywords+++++
*
* Define a data area data structure based on the *LDA.
*
* Example 1:
* A data area data structure with no name is based on the *LDA.
* In this case, the DTAARA keyword does not have to be used.
*
D UDS
D SUBFLD 1 600A
*.. 1 ...+... 2 ...+... 3 ...+... 4 ...+... 5 ...+... 6 ...+... 7 ...+... 8
DName+++++ETDsFrom+++To/L+++IDc.Keywords+++++
* Example 2:
* This data structure is explicitly based on the *LDA using
* the DTAARA keyword. Since it is not a data area data
* structure, it must be handled using IN and OUT operations.
*
D LDA_DS DS DTAARA(*LDA)
D SUBFLD 1 600A
...
C IN LDA_DS
C OUT LDA_DS
*.. 1 ...+... 2 ...+... 3 ...+... 4 ...+... 5 ...+... 6 ...+... 7 ...+... 8
DName+++++ETDsFrom+++To/L+++IDc.Keywords+++++
* Example 3:
* This data structure is explicitly based on the *LDA using
* the DTAARA keyword. Since it is a data area data
* structure, it is read in during initialization and written
* out during termination. It can also be handled using IN
* and OUT operations, since the DTAARA keyword was used.
*
D LDA_DS UDS DTAARA(*LDA)
D SUBFLD 1 600A
...
C IN LDA_DS
C OUT LDA_DS

```

Figure 59. Defining a \*LDA data area data structure

```

*.. 1 ...+... 2 ...+... 3 ...+... 4 ...+... 5 ...+... 6 ...+... 7 ...+... 8
HKeywords+++++
H DFTNAME(Program1)
H
*
FFilename++IPEASF.....L.....A.Device+.Keywords+++++
SALESDTA IF E DISK
*
DName+++++ETDsFrom+++To/L+++IDc.Keywords+++++
D.....Keywords+++++
*
* This program uses a data area data structure to accumulate
* a series of totals. The data area subfields are then added
* to fields from the file SALES.DTA.
D Totals UDS
D Tot_amount 8 2
D Tot_gross 10 2
D Tot_net 10 2
*.. 1 ...+... 2 ...+... 3 ...+... 4 ...+... 5 ...+... 6 ...+... 7 ...+... 8
CL0N01Factor1+++++Opcode(E)+Factor2+++++
*
C :
C EVAL Tot_amount = Tot_amount + amount
C EVAL Tot_gross = Tot_gross + gross
C EVAL Tot_net = Tot_net + net

```

Figure 60. Using data area data structures (program 1)

```

*.. 1 ...+... 2 ...+... 3 ...+... 4 ...+... 5 ...+... 6 ...+... 7 ...+... 8
HKeywords+++++
H DFTNAME(Program2)
*.. 1 ...+... 2 ...+... 3 ...+... 4 ...+... 5 ...+... 6 ...+... 7 ...+... 8
DName+++++ETDsFrom+++To/L+++IDc.Keywords+++++
D.....Keywords+++++
*
* This program processes the totals accumulated in Program1.
* Program2 then uses the total in the subfields to do calculations.
*
D Totals UDS
D Tot_amount 8 2
D Tot_gross 10 2
D Tot_net 10 2
*.. 1 ...+... 2 ...+... 3 ...+... 4 ...+... 5 ...+... 6 ...+... 7 ...+... 8
CL0N01Factor1+++++Opcode(E)+Factor2+++++Result+++++Len++D+HiLoEq....
*
C :
C EVAL *IN91 = (Amount2 <> Tot_amount)
C EVAL *IN92 = (Gross2 <> Tot_gross)
C EVAL *IN93 = (Net2 <> Tot_net)
C :

```

Figure 61. Using data area data structures (program 2)

```

*.. 1 ...+... 2 ...+... 3 ...+... 4 ...+... 5 ...+... 6 ...+... 7 ...+... 8
FFilename++IPEASFRlen+LKlen+AIDevice+.Keywords+++++
* Indicator data structure "DispInds" is associated to file "Disp".
FDisp CF E WORKSTN INDDS (DispInds)
DName+++++ETDsFrom+++To/L+++IDc.Keywords+++++
D.....Keywords+++++
*
* This is the indicator data structure:
*
D DispInds DS
* Conditioning indicators for format "Query"
D ShowName 21 21N
* Response indicators for format "Query"
D Exit 3 3N
D Return 12 12N
D BlankNum 31 31N
* Conditioning indicators for format "DispSflCtl"
D SFLDSPCTL 41 41N
D SFLDSP 42 42N
D SFLEND 43 43N
D SFLCLR 44 44N
CLON01Factor1+++++Opcode(E)+Factor2+++++Result+++++Len++D+HiLoEq....
*
* Set indicators to display the subfile:
C EVAL SFLDSP = *ON
C EVAL SFLEND = *OFF
C EVAL SFLCLR = *OFF
C EXFMT DispSFLCTL
*
* Using indicator variables, we can write more readable programs:
C EXFMT Query
C IF Exit or Return
C RETURN
C ENDIF

```

Figure 62. Using an indicator data structure

```

*.. 1 ...+... 2 ...+... 3 ...+... 4 ...+... 5 ...+... 6 ...+... 7 ...+... 8
FFilename++IPEASFRlen+LKlen+AIDevice+.Keywords+++++
* Indicator data structure "ErrorInds" is associated to file "Disp".
FDisp CF E WORKSTN INDDS (ERRORINDS)
DName+++++ETDsFrom+++To/L+++IDc.Keywords+++++
D.....Keywords+++++
D @NameOk C 0
D @NameNotFound C 1
D @NameNotValid C 2
D @NumErrors C 2
*
* Indicator data structure for ERRMSG:
*
D ERRORINDS DS OCCURS(@NumErrors)
* Indicators for ERRMSG:
D NotFound 1 1N
D NotValid 2 2N
*
* Indicators for QUERY:
D Exit 3 3N
D Refresh 5 5N
D Return 12 12N
*
* Prototype for GetName procedure (code not shown)
D GetName PR 10I 0
D Name 50A CONST
CL0N01Factor1+++++0pcode(E)+Factor2+++++Result+++++Len++D+HiLoEq....
*
C DOU Exit or Return
C EXFMT QUERY
* Check the response indicators
C SELECT
C WHEN Exit or Return
C RETURN
C WHEN Refresh
C RESET QUERY
C ITER
C ENDSL
*
* Check the name
C EVAL RC = GetName(Name)
*
* If it is not valid, display an error message
C IF RC <> @NameOk
C RC OCCURS ErrorInds
C EXFMT ERRMSG
C ENDF
C ENDDO
...
C *INZSR BEGSR
*
* Initialize the occurrences of the ErrorInds data structure
C @NameNotFound OCCUR ErrorInds
C EVAL NotFound = '1'
C @NameNotValid OCCUR ErrorInds
C EVAL NotValid = '1'
C ENDSR

```

Figure 63. Using a multiple-occurrence indicator data structure

## Prototypes and Parameters

The recommended way to call programs and procedures is to use prototyped calls, since prototyped calls allow the compiler to check the call interface at compile time. If you are coding a subprocedure, you will need to code a procedure-interface definition to allow the compiler to match the call interface to the subprocedure.

This section describes how to define each of these concepts:

- “Prototypes”
- “Prototyped Parameters” on page 146
- “Procedure Interface” on page 148.

### Prototypes

A **prototype** is a definition of the call interface. It includes the following information:

- Whether the call is bound (procedure) or dynamic (program)
- How to find the program or procedure (the external name)
- The number and nature of the parameters
- Which parameters must be passed, and which are optionally passed
- Whether operational descriptors should be passed
- The data type of the return value, if any (for a procedure)

A prototype must be included in the definition specifications of the program or procedure that makes the call. The prototype is used by the compiler to call the program or procedure correctly, and to ensure that the caller passes the correct parameters.

The following rules apply to prototype definitions.

- A prototype name must be specified in positions 7-21. If the keyword EXTPGM or EXTPROC is specified on the prototype definition, then any calls to the program or procedure use the external name specified for that keyword. If neither keyword is specified, then the external name is the prototype name, that is, the name specified in positions 7-21 (in uppercase).
- Specify PR in the Definition-Type entry (positions 24-25). Any parameter definitions must immediately follow the PR specification. The prototype definition ends with the first definition specification with non-blanks in positions 24-25 or by a non-definition specification.
- Specify any of the following keywords as they pertain to the call interface:

**EXTPROC(name)**

The call will be a bound procedure call that uses the external name specified by the keyword.

**EXTPGM(name)**

The call will be an external program call that uses the external name specified by the keyword.

**OPDESC**

Operational descriptors are to be passed with the parameters that are described in the prototype.

- A return value (if any) is specified on the PR definition. Specify the length and data type of the return value. In addition, you may specify the following keywords for the return value:

## Prototypes and Parameters

|                                    |                                                                                                                                                                                              |
|------------------------------------|----------------------------------------------------------------------------------------------------------------------------------------------------------------------------------------------|
| <b>DATFMT(fmt)</b>                 | The return value has the date format specified by the keyword.                                                                                                                               |
| <b>DIM(N)</b>                      | The return value is an array or data structure with N elements.                                                                                                                              |
| <b>LIKEDS(data_structure_name)</b> | The returned value is a data structure. (You cannot refer to the subfields of the return value when you call the procedure.)                                                                 |
| <b>LIKEREC(name{,type})</b>        | The returned value is a data structure defined like the specified record format name.<br><br><b>Note:</b> You cannot refer to the subfields of the return value when you call the procedure. |
| <b>LIKE(name)</b>                  | The return value is defined like the item specified by the keyword.                                                                                                                          |
| <b>PROCPTR</b>                     | The return value is a procedure pointer.                                                                                                                                                     |
| <b>TIMFMT(fmt)</b>                 | The return value has the time format specified by the keyword.                                                                                                                               |
| <b>VARYING</b>                     | A character, graphic, or UCS-2 return value has a variable-length format.                                                                                                                    |

For information on these keywords, see “Definition-Specification Keywords” on page 297. Figure 64 shows a prototype for a subprocedure CVTCHR that takes a numeric input parameter and returns a character string. Note that there is no name associated with the return value. For this reason, you cannot display its contents when debugging the program.

```
* The returned value is the character representation of
* the input parameter NUM, left-justified and padded on
* the right with blanks.
D CVTCHR PR 31A
D NUM 31P 0 VALUE
* The following expression shows a call to CVTCHR. If
* variable rrn has the value 431, then after this EVAL,
* variable msg would have the value
* 'Record 431 was not found.'
C EVAL msg = 'Record '
C + %TRIMR(CVTCHR(RRN))
C + ' was not found '
```

Figure 64. Prototype for CVTCHR

If you are writing a prototype for an exported subprocedure or for a main procedure, put the prototype in a /COPY file and copy the prototype into the source file for both the callers and the module that defines the procedure. This coding technique provides maximum parameter-checking benefits for both the callers and the procedure itself, since they all use the same prototype.

## Prototyped Parameters

If the prototyped call interface involves the passing of parameters then you must define the parameter immediately following the PR specification. The following keywords, which apply to defining the type, are allowed on the parameter definition specifications:

|               |                                     |
|---------------|-------------------------------------|
| <b>ASCEND</b> | The array is in ascending sequence. |
|---------------|-------------------------------------|



- DATFMT(fmt)** The date parameter has the format *fmt*.
- DIM(N)** The parameter is an array or data structure with *N* elements.
- LIKE(name)** The parameter is defined like the item specified by the keyword.
- LIKEREC(name{,type})**  
The parameter is a data structures whose subfields are the same as the fields in the specified record format name.
- LIKEDS(data\_structure\_name)**  
The parameter is a data structure whose subfields are the same as the subfields identified in the **LIKEDS** keyword.
- PROCPTR** The parameter is a procedure pointer.
- TIMFMT(fmt)** The time parameter has the format *fmt*.
- VARYING** A character, graphic, or UCS-2 parameter has a variable-length format.

For information on these keywords, see “Definition-Specification Keywords” on page 297.

The following keywords, which specify how the parameter should be passed, are also allowed on the parameter definition specifications:

### **CONST**

The parameter is passed by read-only reference. A parameter defined with **CONST** must not be modified by the called program or procedure. This parameter-passing method allows you to pass literals and expressions.

### **NOOPT**

The parameter will not be optimized in the called program or procedure.

### **OPTIONS(opt1 { : opt2 { : opt3 { : opt4 { : opt5 } } } } )**

Where *opt1* ... *opt5* can be **\*NOPASS**, **\*OMIT**, **\*VARSIZE**, **\*STRING**, **\*TRIM**, or **\*RIGHTADJ**. For example, **OPTIONS(\*VARSIZE : \*NOPASS)**.

Specifies the following parameter passing options:

#### **\*NOPASS**

The parameter does not have to be passed. If a parameter has **OPTIONS(\*NOPASS)** specified, then all parameters following it must also have **OPTIONS(\*NOPASS)** specified.

#### **\*OMIT**

The special value **\*OMIT** may be passed for this reference parameter.

#### **\*VARSIZE**

The parameter may contain less data than is indicated on the definition. This keyword is valid only for character parameters, graphic parameters, UCS-2 parameters, or arrays passed by reference. The called program or procedure must have some way of determining the length of the passed parameter.

**Note:** When this keyword is omitted for fixed-length fields, the parameter may only contain more or the same amount of data as indicated on the definition; for variable-length fields,

## Prototypes and Parameters

the parameter must have the same declared maximum length as indicated on the definition.

### \*STRING

Pass a character value as a null-terminated string. This keyword is valid only for basing pointer parameters passed by value or by read-only reference.

### \*TRIM

The parameter is trimmed before it is passed. This option is valid for character, UCS-2 or graphic parameters passed by value or by read-only reference. It is also valid for pointer parameters that have OPTIONS(\*STRING) coded.

**Note:** When a pointer parameter has OPTIONS(\*STRING : \*TRIM) specified, the value will be trimmed even if a pointer is passed directly. The null-terminated string that the pointer is pointing to will be copied into a temporary, trimmed of blanks, with a new null-terminator added at the end, and the address of that temporary will be passed.

### \*RIGHTADJ

For a CONST or VALUE parameter, \*RIGHTADJ indicates that the graphic, UCS-2, or character parameter value is to be right adjusted.

#### TIP

For the parameter passing options \*NOPASS, \*OMIT, and \*VARSIZE, it is up to the programmer of the procedure to ensure that these options are handled. For example, if OPTIONS(\*NOPASS) is coded and you choose **not** to pass the parameter, the procedure must check that the parameter was passed before it accesses it. The compiler will not do any checking for this.

### VALUE

The parameter is passed by value.

For information on the keywords listed above, see “Definition-Specification Keywords” on page 297. For more information on using prototyped parameters, see the chapter on calling programs and procedures in the *WebSphere Development Studio: ILE RPG Programmer’s Guide*.

## Procedure Interface

If a prototyped program or procedure has call parameters or a return value, then a procedure interface definition must be defined, either in the main source section (for a main procedure) or in the subprocedure section. A **procedure interface definition** repeats the prototype information within the definition of a procedure. It is used to declare the entry parameters for the procedure and to ensure that the internal definition of the procedure is consistent with the external definition (the prototype).

The following rules apply to procedure interface definitions.

- The name of the procedure interface, specified in positions 7-21, is required for the main procedure. It is optional for subprocedures. If specified, it must match the name specified in positions 7-21 on the corresponding prototype definition.

- Specify PI in the Definition-Type entry (positions 24-25). The procedure-interface definition can be specified anywhere in the definition specifications. In the main procedure, the procedure interface must be preceded by the prototype that it refers to. A procedure interface is required in a subprocedure if the procedure returns a value, or if it has any parameters; otherwise, it is optional.
- Any parameter definitions, indicated by blanks in positions 24-25, must immediately follow the PI specification.
- Parameter names must be specified, although they do not have to match the names specified on the prototype.
- All attributes of the parameters, including data type, length, and dimension, must match exactly those on the corresponding prototype definition.
- To indicate that a parameter is a data structure, use the LIKEDS keyword to define the parameter with the same subfields as another data structure.
- The keywords specified on the PI specification and the parameter specifications must match those specified on the prototype.

### TIP

If a module contains calls to a prototyped program or procedure, then there must be a prototype definition for each program and procedure that you want to call. One way of minimizing the required coding is to store shared prototypes in /COPY files.

If you provide prototyped programs or procedures to other users, be sure to provide them with the prototypes (in /COPY files) as well.

## Prototypes and Parameters

---

## Chapter 9. Using Arrays and Tables

Arrays and tables are both collections of data fields (elements) of the same:

- Field length
- Data type
  - Character
  - Numeric
  - Data Structure
  - Date
  - Time
  - Timestamp
  - Graphic
  - Basing Pointer
  - Procedure Pointer
  - UCS-2
- Format
- Number of decimal positions (if numeric)

Arrays and tables differ in that:

- You can refer to a specific array element by its position
- You cannot refer to specific table elements by their position
- An array name by itself refers to all elements in the array
- A table name always refers to the element found in the last “LOOKUP (Look Up a Table or Array Element)” on page 667 operation

**Note:** You can define only run-time arrays in a subprocedure. Tables, prerun-time arrays, and compile-time arrays are not supported. If you want to use a pre-run array or compile-time array in a subprocedure, you must define it in the main source section.

The next section describes how to code an array, how to specify the initial values of the array elements, how to change the values of an array, and the special considerations for using an array. The section after next describes the same information for tables.

---

### Arrays

There are three types of arrays:

- The *run-time array* is loaded by your program while it is running.
- The *compile-time array* is loaded when your program is created. The initial data becomes a permanent part of your program.
- The *prerun-time array* is loaded from an array file when your program begins running, before any input, calculation, or output operations are processed.

The essentials of defining and loading an array are described for a run-time array. For defining and loading compile-time and prerun-time arrays you use these essentials and some additional specifications.

## Array Name and Index

You refer to an entire array using the array name alone. You refer to the individual elements of an array using (1) the array name, followed by (2) a left parenthesis, followed by (3) an index, followed by (4) a right parenthesis -- for example: AR(IND). The index indicates the position of the element within the array (starting from 1) and is either a number or a field containing a number.

The following rules apply when you specify an array name and index:

- The array name must be a unique symbolic name.
- The index must be a numeric field or constant greater than zero and with zero decimal positions
- If the array is specified within an expression in the extended factor 2 field, the index may be an expression returning a numeric value with zero decimal positions
- At run time, if your program refers to an array using an index with a value that is zero, negative, or greater than the number of elements in the array, then the error/exception routine takes control of your program.

## The Essential Array Specifications

You define an array on a definition specification. Here are the essential specifications for all arrays:

- Specify the array name in positions 7 through 21
- Specify the number of entries in the array using the DIM keyword
- Specify length, data format, and decimal positions as you would any scalar fields. You may specify explicit From- and To-position entries (if defining a subfield), or an explicit Length-entry; or you may define the array attributes using the LIKE keyword; or the attributes may be specified elsewhere in the program.
- If you need to specify a sort sequence, use the ASCEND or DESCEND keywords.

Figure 65 shows an example of the essential array specifications.

## Coding a Run-Time Array

If you make no further specifications beyond the essential array specifications, you have defined a *run-time array*. Note that the keywords ALT, CTDATA, EXTFMT, FROMFILE, PERRCD, and TOFILE cannot be used for a run-time array.

```
*...1....+....2....+....3....+....4....+....5....+....6....+....7...
DName+++++ETDsFrom+++To/L+++IDc.Keywords+++++
DARC S 3A DIM(12)
```

Figure 65. The Essential Array Specifications to Define a Run-Time Array

## Loading a Run-Time Array

You can assign initial values for a run-time array using the INZ keyword on the definition specification. You can also assign initial values for a run-time array through input or calculation specifications. This second method may also be used to put data into other types of arrays.

For example, you may use the calculation specifications for the MOVE operation to put 0 in each element of an array (or in selected elements).

Using the input specifications, you may fill an array with the data from a file. The following sections provide more details on retrieving this data from the records of a file.

**Note:** Date and time runtime data must be in the same format and use the same separators as the date or time array being loaded.

### Loading a Run-Time Array in One Source Record

If the array information is contained in one record, the information can occupy consecutive positions in the record or it can be scattered throughout the record.

If the array elements are consecutive on the input record, the array can be loaded with a single input specification. Figure 66 shows the specifications for loading an array, INPARR, of six elements (12 characters each) from a single record from the file ARRFIL.

```
*...1....+....2....+....3....+....4....+....5....+....6....+....7...
DName+++++++ETDsFrom+++To/L+++IDc.Keywords+++++++
DINPARR S 12A DIM(6)
IFilename++SqNORiPos1+NCCPos2+NCCPos3+NCC.....
I.....Fm+SPFrom+To+++DcField+++++++L1M1FrP1MnZr....
IARRFILE AA 01
I
 1 72 INPARR
```

Figure 66. Using a Run-Time Array with Consecutive Elements

If the array elements are scattered throughout the record, they can be defined and loaded one at a time, with one element described on a specification line. Figure 67 shows the specifications for loading an array, ARRX, of six elements with 12 characters each, from a single record from file ARRFIL; a blank separates each of the elements from the others.

```
*...1....+....2....+....3....+....4....+....5....+....6....+....7...
DName+++++++ETDsFrom+++To/L+++IDc.Keywords+++++++
DARRX S 12A DIM(6)
IFilename++SqNORiPos1+NCCPos2+NCCPos3+NCC.....
I.....Fm+SPFrom+To+++DcField+++++++L1M1FrP1MnZr....
IARRFILE AA 01
I
 1 12 ARRX(1)
I
 14 25 ARRX(2)
I
 27 38 ARRX(3)
I
 40 51 ARRX(4)
I
 53 64 ARRX(5)
I
 66 77 ARRX(6)
```

Figure 67. Defining a Run-Time Array with Scattered Elements

### Loading a Run-Time Array Using Multiple Source Records

If the array information is in more than one record, you may use various methods to load the array. The method to use depends on the size of the array and whether or not the array elements are consecutive in the input records. The ILE RPG program processes one record at a time. Therefore the entire array is not processed until all the records containing the array information are read and the information is moved into the array fields. It may be necessary to suppress calculation and output operations until the entire array is read into the program.

### Sequencing Run-Time Arrays

Run-time arrays are not sequence checked. If you process a SORTA (sort an array) operation, the array is sorted into the sequence specified on the definition specification (the ASCEND or DESCEND keywords) defining the array. If the sequence is not specified, the array is sorted into ascending sequence. When the high (positions 71 and 72 of the calculation specifications) or low (positions 73 and 74 of the calculation specifications) indicators are used in the LOOKUP operation, the array sequence must be specified.

### Coding a Compile-Time Array

A compile-time array is specified using the essential array specifications plus the keyword CTDATA. In addition, on a definition specification you can specify:

- The number of array entries in an input record using the PERRCD keyword. If the keyword is not specified, the number of entries defaults to 1.
- The external data format using the EXTFMT keyword. The only allowed values are L (left-sign), R (right-sign), or S (zoned-decimal). The EXTFMT keyword is not allowed for float compile-time arrays.
- A file to which the array is to be written when the program ends with LR on. You specify this using the TOFILE keyword.

See Figure 68 on page 155 for an example of a compile-time array.

### Loading a Compile-Time Array

For a *compile-time array*, enter array source data into records in the program source member. If you use the **\*\*ALTSEQ**, **\*\*CTDATA**, and **\*\*FTRANS** keywords, the array data may be entered in anywhere following the source records. If you do not use those keywords, the array data must follow the source records, and any alternate collating sequence or file translation records in the order in which the compile-time arrays and tables were defined on the definition specifications. This data is loaded into the array when the program is compiled. Until the program is recompiled with new data, the array will always initially have the same values each time you call the program unless the previous call ended with LR off.

Compile-time arrays can be described separately or in alternating format (with the ALT keyword). Alternating format means that the elements of one array are intermixed on the input record with elements of another array.

### Rules for Array Source Records

The rules for array source records are:

- The first array entry for each record must begin in position 1.
- All elements must be the same length and follow each other with no intervening spaces
- An entire record need not be filled with entries. If it is not, blanks or comments can be included after the entries (see Figure 68 on page 155).
- If the number of elements in the array as specified on the definition specification is greater than the number of entries provided, the remaining elements are filled with the default values for the data type specified.



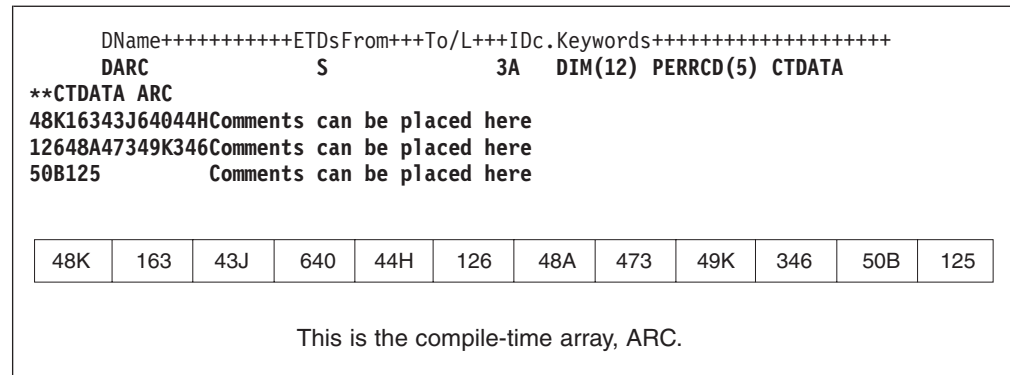


Figure 68. Array Source Record with Comments

- Each record, except the last, must contain the number of entries specified with the PERRCD keyword on the definition specifications. In the last record, unused entries must be blank and comments can be included after the unused entries.
- Each entry must be contained entirely on one record. An entry cannot be split between two records; therefore, the length of a single entry is limited to the maximum length of 100 characters (size of source record). If arrays are used and are described in alternating format, corresponding elements must be on the same record; together they cannot exceed 100 characters.
- For date and time compile-time arrays the data must be in the same format and use the same separators as the date or time array being loaded.
- Array data may be specified in one of two ways:
  1. **\*\*CTDATA** arrayname: The data for the array may be specified anywhere in the compile-time data section.
  2. **\*\*b**: (b=blank) The data for the arrays must be specified in the same order in which they are specified in the Definition specifications.

Only one of these techniques may be used in one program.
- Arrays can be in ascending(ASCEND keyword), descending (DESCEND keyword), or no sequence (no keyword specified).
- For ascending or descending character arrays when ALTSEQ(\*EXT) is specified on the control specification, the alternate collating sequence is used for the sequence checking. If the actual collating sequence is not known at compile time (for example, if SRTSEQ(\*JOBRUN) is specified on a control specification or as a command parameter) the alternate collating sequence table will be retrieved at runtime and the checking will occur during initialization at \*INIT. Otherwise, the checking will be done at compile time.
- Graphic and UCS-2 arrays will be sorted by hexadecimal values, regardless of the alternate collating sequence.
- If L or R is specified on the EXTFMT keyword on the definition specification, each element must include the sign (+ or -). An array with an element size of 2 with L specified would require 3 positions in the source data as shown in the following example.
 

```

....+....1....+....2....+....3....+....4....+....5....+....6....+....
DName+++++ETDsFrom+++To/L+++IDc.Keywords+++++
D UPDATES 2 0 DIM(5) PERRCD(5) EXTFMT(L) CTDATA
**CTDATA UPDATES
+37-38+52-63-49+51

```
- Float compile-time data are specified in the source records as float or numeric literals. Arrays defined as 4-byte float require 14 positions for each element; arrays defined as 8-byte float require 23 positions for each element.

## Arrays

- Graphic data must be enclosed in shift-out and shift-in characters. If several elements of graphic data are included in a single record (without intervening nongraphic data) only one set of shift-out and shift-in characters is required for the record. If a graphic array is defined in alternating format with a nongraphic array, the shift-in and shift-out characters must surround the graphic data. If two graphic arrays are defined in alternating format, only one set of shift-in and shift-out characters is required for each record.

### Coding a Prerun-Time Array

In addition to the essential array specifications, you can also code the following specifications or keywords for prerun-time arrays.

On the definition specifications, you can specify

- The name of the file with the array input data, using the FROMFILE keyword.
- The name of a file to which the array is written at the end of the program, using the TOFILE keyword.
- The number of elements per input record, using the PERRCD keyword.
- The external format of numeric array data using the EXTFMT keyword.
- An alternating format using the ALT keyword.

**Note:** The integer or unsigned format cannot be specified for arrays defined with more than ten digits.

On the file-description specifications, you can specify a T in position 18 for the file with the array input data.

### Example of Coding Arrays

Figure 69 on page 157 shows the definition specifications required for two prerun-time arrays, a compile-time array, and a run-time array.

```

....+....1....+....2....+....3....+....4....+....5....+....6....+....
HKeywords+++++
H DATFMT(*USA) TIMFMT(*HMS)
D*ame+++++ETDsFrom+++To/L+++IDc.Keywords+++++
* Run-time array. ARI has 10 elements of type date. They are
* initialized to September 15, 1994. This is in month, day,
* year format using a slash as a separator as defined on the
* control specification.
DARI S D DIM(10) INZ(D'09/15/1994')
*
* Compile-time arrays in alternating format. Both arrays have
* eight elements (three elements per record). ARC is a character
* array of length 15, and ARD is a time array with a predefined
* length of 8.
DARC S 15 DIM(8) PERRCD(3)
D CTDATA
DARD S T DIM(8) ALT(ARC)
*
* Prerun-time array. ARE, which is to be read from file DISKIN,
* has 250 character elements (12 elements per record). Each
* element is five positions long. The size of each record
* is 60 (5*12). The elements are arranged in ascending sequence.
DARE S 5A DIM(250) PERRCD(12) ASCEND
D FROMFILE(DISKIN)
*
* Prerun-time array specified as a combined file. ARH is written
* back to the same file from which it is read when the program
* ends normally with LR on. ARH has 250 character elements
* (12 elements per record). Each elements is five positions long.
* The elements are arranged in ascending sequence.
DARH S 5A DIM(250) PERRCD(12) ASCEND
D FROMFILE(DISKOUT)
D TOFILE(DISKOUT)
**CTDATA ARC
Toronto 12:15:00Winnipeg 13:23:00Calgary 15:44:00
Sydney 17:24:30Edmonton 21:33:00Saskatoon 08:40:00
Regina 12:33:00Vancouver 13:20:00

```

Figure 69. Definition Specifications for Different Types of Arrays

## Loading a Prerun-Time Array

For a *prerun-time array*, enter array input data into a file. The file must be a sequential program described file. During initialization, but before any input, calculation, or output operations are processed the array is loaded with initial values from the file. By modifying this file, you can alter the array's initial values on the next call to the program, without recompiling the program. The file is read in arrival sequence. The rules for prerun-time array data are the same as for compile-time array data, except there are no restrictions on the length of each record. See "Rules for Array Source Records" on page 154.

## Sequence Checking for Character Arrays

Sequence checking for character arrays that have not been defined with ALTSEQ(\*NONE) has two dependencies:

1. Whether the ALTSEQ control specification keyword has been specified, and if so, how.
2. Whether the array is compile time or prerun time.

## Arrays

The following table indicates when sequence checking occurs.

| Control Specification Entry              | ALTSEQ Used for SORTA, LOOKUP and Sequence Checking | When Sequence Checked for Compile Time Array | When Sequence Checked for Prerun Time Array |
|------------------------------------------|-----------------------------------------------------|----------------------------------------------|---------------------------------------------|
| ALTSEQ(*NONE)                            | No                                                  | Compile time                                 | Run time                                    |
| ALTSEQ(*SRC)                             | No                                                  | Compile time                                 | Run time                                    |
| ALTSEQ(*EXT)<br>(known at compile time)  | Yes                                                 | Compile time                                 | Run time                                    |
| ALTSEQ(*EXT)<br>(known only at run time) | Yes                                                 | Run time                                     | Run time                                    |

**Note:** For compatibility with RPG III, SORTA and LOOKUP do not use the alternate collating sequence with ALTSEQ(\*SRC). If you want these operations to be performed using the alternate collating sequence, you can define a table on the system (object type \*TBL), containing your alternate sequence. Then you can change ALTSEQ(\*SRC) to ALTSEQ(\*EXT) on your control specification and specify the name of your table on the SRTSEQ keyword or parameter of the create command.

---

## Initializing Arrays

### Run-Time Arrays

To initialize each element in a run-time array to the same value, specify the INZ keyword on the definition specification. If the array is defined as a data structure subfield, the normal rules for data structure initialization overlap apply (the initialization is done in the order that the fields are declared within the data structure).

### Compile-Time and Prerun-Time Arrays

The INZ keyword cannot be specified for a compile-time or prerun-time array, because their initial values are assigned to them through other means (compile-time data or data from an input file). If a compile-time or prerun-time array appears in a globally initialized data structure, it is not included in the global initialization.

**Note:** Compile-time arrays are initialized in the order in which the data is declared after the program, and prerun-time arrays are initialized in the order of declaration of their initialization files, regardless of the order in which these arrays are declared in the data structure. Pre-run time arrays are initialized after compile-time arrays.

If a subfield initialization overlaps a compile-time or prerun-time array, the initialization of the array takes precedence; that is, the array is initialized after the subfield, regardless of the order in which fields are declared within the data structure.

## Defining Related Arrays

You can load two compile-time arrays or two prerun-time arrays in *alternating format* by using the ALT keyword on the definition of the alternating array. You specify the name of the primary array as the parameter for the ALT keyword. The records for storing the data for such arrays have the first element of the first array followed by the first element of the second array, the second element of the first array followed by the second element of the second array, the third element of the first array followed by the third element of the second array, and so on. Corresponding elements must appear on the same record. The PERRCD keyword on the main array definition specifies the number of corresponding pairs per record, each pair of elements counting as a single entry. You can specify EXTFMT on both the main and alternating array.

Figure 70 shows two arrays, ARRA and ARRB, in alternating format.

| <b>A R R A</b><br><b>(Part Number)</b> | <b>A R R B</b><br><b>(Unit Cost)</b> |
|----------------------------------------|--------------------------------------|
| 345126                                 | 373                                  |
| 38A437                                 | 498                                  |
| 39K143                                 | 1297                                 |
| 40B125                                 | 93                                   |
| 41C023                                 | 3998                                 |
| 42D893                                 | 87                                   |
| 43K823                                 | 349                                  |
| 44H111                                 | 697                                  |
| 45P673                                 | 898                                  |
| 46C732                                 | 47587                                |

Arrays ARRA and ARRB can be described as two separate array files or as one array file in alternating format.

Figure 70. Arrays in Alternating and Nonalternating Format

The records for ARRA and ARRB look like the records below when described as two separate array files.

This record contains ARRA entries in positions 1 through 60.

| ARRA entry  | ARRA entry  | ARRA entry   | ARRA entry   | ARRA entry   | ARRA entry   | ARRA entry   | ARRA entry   | ARRA entry   | ARRA entry   |
|-------------|-------------|--------------|--------------|--------------|--------------|--------------|--------------|--------------|--------------|
| 1 . . . . . | 7 . . . . . | 13 . . . . . | 19 . . . . . | 25 . . . . . | 31 . . . . . | 37 . . . . . | 43 . . . . . | 49 . . . . . | 55 . . . . . |

Figure 71. Arrays Records for Two Separate Array Files

This record contains ARRB entries in positions 1 through 50.

## Defining Related Arrays

|            |            |            |            |            |            |            |            |            |            |
|------------|------------|------------|------------|------------|------------|------------|------------|------------|------------|
| ARRB entry | ARRB entry | ARRB entry | ARRB entry | ARRB entry | ARRB entry | ARRB entry | ARRB entry | ARRB entry | ARRB entry |
| 1 .....    | 6 .....    | 11 .....   | 16 .....   | 21 .....   | 26 .....   | 31 .....   | 36 .....   | 41 .....   | 46 .....   |

Figure 72. Arrays Records for One Array File

The records for ARRA and ARRB look like the records below when described as one array file in alternating format. The first record contains ARRA and ARRB entries in alternating format in positions 1 through 55. The second record contains ARRA and ARRB entries in alternating format in positions 1 through 55.

|            |            |            |            |            |            |            |            |            |            |
|------------|------------|------------|------------|------------|------------|------------|------------|------------|------------|
| ARRA entry | ARRB entry | ARRA entry | ARRB entry | ARRA entry | ARRB entry | ARRA entry | ARRB entry | ARRA entry | ARRB entry |
| 1 .....    | 1 .....    | 7 .....    | 6 .....    | 13 .....   | 11 .....   | 19 .....   | 16 .....   | 25 .....   | 21 .....   |

Figure 73. Arrays Records for One Array File in Alternating Format

```

DName+++++ETDsFrom+++To/L+++IDc.Keywords+++++
DARRA S 6A DIM(6) PERRCD(1) CTDATA
DARRB S 5 DIM(6) ALT(ARRA)
DARRGRAPHIC S 3G DIM(2) PERRCD(2) CTDATA
DARRC S 3A DIM(2) ALT(ARRGRAPHIC)
DARRGRAPH1 S 3G DIM(2) PERRCD(2) CTDATA
DARRGRAPH2 S 3G DIM(2) ALT(ARRGRAPH1)
**CTDATA ARRA
345126 373
38A437 498
39K143 1297
40B125 93
41C023 3998
42D893 87
**CTDATA ARRGRAPHIC
ok1k2k3iabcok4k5k6iabc
**CTDATA ARRGRAPH1
ok1k2k3k4k5k6k1k2k3k4k5k6i

```

## Searching Arrays

The following can be used to search arrays:

- The LOOKUP operation code
- The %LOOKUP built-in function
- The %LOOKUPLT built-in function
- The %LOOKUPLE built-in function
- The %LOOKUPGT built-in function
- The %LOOKUPGE built-in function

For more information about the LOOKUP operation code, see:

- “Searching an Array with an Index” on page 161
- “Searching an Array Without an Index” on page 161
- “LOOKUP (Look Up a Table or Array Element)” on page 667

For more information about the %LOOKUPxx built-in functions, see “%LOOKUPxx (Look Up an Array Element)” on page 511.

## Searching an Array Without an Index

When searching an array without an index, use the status (on or off) of the resulting indicators to determine whether a particular element is present in the array. Searching an array without an index can be used for validity checking of input data to determine if a field is in a list of array elements. Generally, an equal LOOKUP is requested.

In factor 1 in the calculation specifications, specify the search argument (data for which you want to find a match in the array named) and place the array name factor 2.

In factor 2 specify the name of the array to be searched. At least one resulting indicator must be specified. Entries must not be made in both high and low for the same LOOKUP operation. The resulting indicators must *not* be specified in high or low if the array is not in sequence (ASCEND or DESCEND keywords). Control level and conditioning indicators (specified in positions 7 through 11) can also be used. The result field cannot be used.

The search starts at the beginning of the array and ends at the end of the array or when the conditions of the lookup are satisfied. Whenever an array element is found that satisfies the type of search being made (equal, high, low), the resulting indicator is set on.

Figure 74 shows an example of a LOOKUP on an array without an index.

```
*...1....+....2....+....3....+....4....+....5....+....6....+....7...
FFilename++IPEASFRlen+LKlen+AIDevice+.Keywords+++++++
FARRFILE IT F 5 DISK
F*
DName+++++++ETDsFrom+++To/L+++IDc.Keywords+++++++
DDPTNOS S 5S 0 DIM(50) FROMFILE(ARRFILE)
D*
CL0N01Factor1+++++Opcode(E)+Factor2+++++Result+++++Len++D+HiLoEq..
C* The LOOKUP operation is processed and, if an element of DPTNOS equal
C* to the search argument (DPTNUM) is found, indicator 20 is set on.
C DPTNUM LOOKUP DPTNOS 20
```

Figure 74. LOOKUP Operation for an Array without an Index

ARRFILE, which contains department numbers, is defined in the file description specifications as an input file (I in position 17) with an array file designation (T in position 18). The file is program described (F in position 22), and each record is 5 positions in length (5 in position 27).

In the definition specifications, ARRFILE is defined as containing the array DPTNOS. The array contains 50 entries (DIM(50)). Each entry is 5 positions in length (positions 33-39) with zero decimal positions (positions 41-42). One department number can be contained in each record (PERRCD defaults to 1).

## Searching an Array with an Index

To find out which element satisfies a LOOKUP search, start the search at a particular element in the array. To do this type of search, make the entries in the calculation specifications as you would for an array without an index. However, in factor 2, enter the name of the array to be searched, followed by a parenthesized numeric field (with zero decimal positions) containing the number of the element at which the search is to start. This numeric constant or field is called the index

## Searching Arrays

because it points to a certain element in the array. The index is updated with the element number which satisfied the search or is set to 0 if the search failed.

You can use a numeric constant as the index to test for the existence of an element that satisfies the search starting at an element other than 1.

All other rules that apply to an array without an index apply to an array with an index.

Figure 75 shows a LOOKUP on an array with an index.

```
*...1....+....2....+....3....+....4....+....5....+....6....+....7...
Ffilename++IPEASFRlen+LKlen+AIDevice+.Keywords+++++++
FARRFILE IT F 25 DISK
F*
DName+++++++ETDsFrom+++To/L+++IDc.Keywords+++++++
DDPTNOS S 5S 0 DIM(50) FROMFILE(ARRFILE)
DDPTDSC S 20A DIM(50) ALT(DPTNOS)
D*
CL0N01Factor1+++++Opcode(E)+Factor2+++++Result+++++Len++D+HiLoEq..
C* The Z-ADD operation begins the LOOKUP at the first element in DPTNOS.
C Z-ADD 1 X 3 0
C* At the end of a successful LOOKUP, when an element has been found
C* that contains an entry equal to the search argument DPTNUM,
C* indicator 20 is set on and the MOVE operation places the department
C* description, corresponding to the department number, into DPTNAM.
C DPTNUM LOOKUP DPTNOS(X) 20
C* If an element is not found that is equal to the search argument,
C* element X of DPTDSC is moved to DPTNAM.
C IF NOT *IN20
C MOVE DPTDSC(X) DPTNAM 20
C ENDIF
```

Figure 75. LOOKUP Operation on an Array with an Index

This example shows the same array of department numbers, DPTNOS, as Figure 74 on page 161. However, an alternating array of department descriptions, DPTDSC, is also defined. Each element in DPTDSC is 20 positions in length. If there is insufficient data in the file to initialize the entire array, the remaining elements in DPTNOS are filled with zeros and the remaining elements in DPTDSC are filled with blanks.

---

## Using Arrays

Arrays can be used in input, output, or calculation specifications.

### Specifying an Array in Calculations

An entire array or individual elements in an array can be specified in calculation specifications. You can process individual elements like fields.

A noncontiguous array defined with the OVERLAY keyword cannot be used with the MOVEA operation or in the result field of a PARM operation.

To specify an entire array, use only the array name, which can be used as factor 1, factor 2, or the result field. The following operations can be used with an array name: ADD, Z-ADD, SUB, Z-SUB, MULT, DIV, SQRT, ADDDUR, SUBDUR, EVAL,



EXTRCT, MOVE, MOVEL, MOVEA, MLLZO, MLHZO, MHLZO, MHHZO, DEBUG, XFOOT, LOOKUP, SORTA, PARM, DEFINE, CLEAR, RESET, CHECK, CHECKR, and SCAN.

Several other operations can be used with an array element only but not with the array name alone. These operations include but are not limited to: BITON, BITOFF, COMP, CABxx, TESTZ, TESTN, TESTB, MVR, DO, DOUxx, DOWxx, DOU, DOW, IFxx, WHENxx, WHEN, IF, SUBST, and CAT.

When specified with an array name without an index or with an asterisk as the index (for example, ARRAY or ARRAY(\*)) certain operations are repeated for each element in the array. These are ADD, Z-ADD, EVAL, SUB, Z-SUB, ADDDUR, SUBDUR, EXTRCT, MULT, DIV, SQRT, MOVE, MOVEL, MLLZO, MLHZO, MHLZO and MHHZO. The following rules apply to these operations when an array name without an index is specified:

- When factors 1 and 2 and the result field are arrays with the same number of elements, the operation uses the first element from every array, then the second element from every array until all elements in the arrays are processed. If the arrays do not have the same number of entries, the operation ends when the last element of the array with the fewest elements has been processed. When factor 1 is not specified for the ADD, SUB, MULT, and DIV operations, factor 1 is assumed to be the same as the result field.
- When one of the factors is a field, a literal, or a figurative constant and the other factor and the result field are arrays, the operation is done once for every element in the shorter array. The same field, literal, or figurative constant is used in all of the operations.
- The result field must always be an array.
- If an operation code uses factor 2 only (for example, Z-ADD, Z-SUB, SQRT, ADD, SUB, MULT, or DIV may not have factor 1 specified) and the result field is an array, the operation is done once for every element in the array. The same field or constant is used in all of the operations if factor 2 is not an array.
- Resulting indicators (positions 71 through 76) cannot be used because of the number of operations being processed.
- In an EVAL expression, if any arrays on the right-hand side are specified without an index, the left-hand side must also contain an array without an index.

**Note:** When used in an EVAL operation %ADDR(arr) and %ADDR(arr(\*)) do not have the same meaning. See “%ADDR (Get Address of Variable)” on page 456 for more detail.

# When coding an EVAL or a SORTA operation, built-in function %SUBARR(arr) can  
# be used to select a portion of the array to be used in the operation. See  
# “%SUBARR (Set/Get Portion of an Array)” on page 539 for more detail.

---

## Sorting Arrays

You can sort an array or a section of an array using the “SORTA (Sort an Array)” on page 770 operation code. The array is sorted into sequence (ascending or descending), depending on the sequence specified for the array on the definition specification.

## Sorting using part of the array as a key

You can use the OVERLAY keyword to overlay one array over another. For example, you can have a base array which contains names and salaries and two overlay arrays (one for the names and one for the salaries). You could then sort the base array by either name or salary by sorting on the appropriate overlay array.

```
*...1....+....2....+....3....+....4....+....5....+....6....+....7...+....
DName+++++++ETDsFrom+++To/L+++IDc.Keywords+++++++
D
D DS
D Emp_Info 50 DIM(500) ASCEND
D Emp_Name 45 OVERLAY(Emp_Info:1)
D Emp_Salary 9P 2 OVERLAY(Emp_Info:46)
D
CLON01Factor1+++++Opcode(E)+Factor2+++++Result+++++Len++D+HiLoEq...
C
C* The following SORTA sorts Emp_Info by employee name.
C* The sequence of Emp_Name is used to determine the order of the
C* elements of Emp_Info.
C SORTA Emp_Name
C* The following SORTA sorts Emp_Info by employee salary
C* The sequence of Emp_Salary is used to determine the order of the
C* elements of Emp_Info.
C SORTA Emp_Salary
```

Figure 76. SORTA Operation with OVERLAY

## Array Output

Entire arrays can be written out under ILE RPG control only at end of program when the LR indicator is on. To indicate that an entire array is to be written out, specify the name of the output file with the TOFILE keyword on the definition specifications. This file must be described as a sequentially organized output or combined file in the file description specifications. If the file is a combined file and is externally described as a physical file, the information in the array at the end of the program replaces the information read into the array at the start of the program. Logical files may give unpredictable results.

If an entire array is to be written to an output record (using output specifications), describe the array along with any other fields for the record:

- Positions 30 through 43 of the output specifications must contain the array name used in the definition specifications.
- Positions 47 through 51 of the output specifications must contain the record position where the last element of the array is to end. If an edit code is specified, the end position must include blank positions and any extensions due to the edit code (see "Editing Entire Arrays" listed next in this chapter).

Output indicators (positions 21 through 29) can be specified. Zero suppress (position 44), blank-after (position 45), and data format (position 52) entries pertain to every element in the array.

## Editing Entire Arrays

When editing is specified for an entire array, all elements of the array are edited. If different editing is required for various elements, refer to them individually.

When an edit code is specified for an entire array (position 44), two blanks are automatically inserted between elements in the array: that is, there are blanks to

the left of every element in the array except the first. When an edit word is specified, the blanks are not inserted. The edit word must contain all the blanks to be inserted.

Editing of entire arrays is only valid in output specifications, not with the %EDITC or %EDITW built-in functions.

---

## Using Dynamically-Sized Arrays

If you don't know the number of elements you will need in an array until runtime, you can define the array with the maximum size, and then use a subset of the array in your program.

To do this, you use the %SUBARR built-in function to control which elements are used when you want to work with all the elements of your array in one operation. You can also use the %LOOKUP built-in function to search part of your array.

```
* Define the "names" array as large as you think it could grow
D names S 25A VARYING DIM(2000)
* Define a variable to keep track of the number of valid elements
D numNames S 10I 0 INZ(0)
* Define another array
D temp S 50A DIM(20)
D p S 10I 0
/free
 // set 3 elements in the names array
 names(1) = 'Friendly';
 names(2) = 'Rusty';
 names(3) = 'Jerome';
 names(4) = 'Tom';
 names(5) = 'Jane';
 numNames = 5;

 // copy the current names to the temporary array
 // Note: %subarr could also be used for temp, but
 // it would not affect the number of elements
 // copied to temp
 temp = %subarr(names : 1 : numNames);

 // change one of the temporary values, and then copy
 // the changed part of the array back to the "names" array
 temp(3) = 'Jerry';
 temp(4) = 'Harry';
 // The number of elements actually assigned will be the
 // minimum of the number of elements in any array or
 // subarray in the expression. In this case, the
 // available sizes are 2 for the "names" sub-array,
 // and 18 for the "temp" subarray, from element 3
 // to the end of the array.
 %subarr(names : 3 : 2) = %subarr(temp : 3);
 // sort the "names" array
 sorta %subarr(names : 1 : numNames);

 // search the "names" array
 // Note: %SUBARR is not used with %LOOKUP. Instead,
 // the start element and number of elements
 // are specified in the third and fourth
 // parameters of %LOOKUP.
 p = %lookup('Jane' : names : 1 : numNames);
```

Figure 77. Example using a dynamically-sized array

---

## Tables

The explanation of arrays applies to tables except for the following differences:

| <b>Activity</b>                           | <b>Differences</b>                                                                                                                                  |
|-------------------------------------------|-----------------------------------------------------------------------------------------------------------------------------------------------------|
| <b>Defining</b>                           | A table name must be a unique symbolic name that begins with the letters TAB.                                                                       |
| <b>Loading</b>                            | Tables can be loaded only at compilation time and prerun-time.                                                                                      |
| <b>Using and Modifying table elements</b> | Only one element of a table is active at one time. The table name is used to refer to the active element. An index cannot be specified for a table. |
| <b>Searching</b>                          | The LOOKUP operation is specified differently for tables. Different built-in functions are used for searching tables.                               |

**Note:** You cannot define a table in a subprocedure.

The following can be used to search a table:

- The LOOKUP operation code
- The %TLOOKUP built-in function
- The %TLOOKUPLT built-in function
- The %TLOOKUPLE built-in function
- The %TLOOKUPGT built-in function
- The %TLOOKUPGE built-in function

For more information about the LOOKUP operation code, see:

- "LOOKUP with One Table"
- "LOOKUP with Two Tables"
- "LOOKUP (Look Up a Table or Array Element)" on page 667

For more information about the %TLOOKUPxx built-in functions, see "%TLOOKUPxx (Look Up a Table Element)" on page 548.

### LOOKUP with One Table

When a single table is searched, factor 1, factor 2, and at least one resulting indicator must be specified. Conditioning indicators (specified in positions 7 through 11) can also be used.

Whenever a table element is found that satisfies the type of search being made (equal, high, low), that table element is made the current element for the table. If the search is not successful, the previous current element remains the current element.

Before a first successful LOOKUP, the first element is the current element.

Resulting indicators reflect the result of the search. If the indicator is on, reflecting a successful search, the element satisfying the search is the current element.

### LOOKUP with Two Tables

When two tables are used in a search, only one is actually searched. When the search condition (high, low, equal) is satisfied, the corresponding elements are made available for use.

Factor 1 must contain the search argument, and factor 2 must contain the name of the table to be searched. The result field must name the table from which data is also made available for use. A resulting indicator must also be used. Control level and conditioning indicators can be specified in positions 7 through 11, if needed.

The two tables used should have the same number of entries. If the table that is searched contains more elements than the second table, it is possible to satisfy the search condition. However, there might not be an element in the second table that corresponds to the element found in the search table. Undesirable results can occur.

**Note:** If you specify a table name in an operation other than LOOKUP before a successful LOOKUP occurs, the table is set to its first element.

```
*...1....+....2....+....3....+....4....+....5....+....6....+....7...
CLON01Factor1+++++Opcode(E)+Factor2+++++Result+++++Len++D+HiLoEq..
C* The LOOKUP operation searches TABEMP for an entry that is equal to
C* the contents of the field named EMPNUM. If an equal entry is
C* found in TABEMP, indicator 09 is set on, and the TABEMP entry and
C* its related entry in TABPAY are made the current elements.
C EMPNUM LOOKUP TABEMP TABPAY 09
C* If indicator 09 is set on, the contents of the field named
C* HRSWKD are multiplied by the value of the current element of
C* TABPAY.
C IF *IN09
C HRSWKD MULT(H) TABPAY AMT 6 2
C ENDIF
```

Figure 78. Searching for an Equal Entry

## Specifying the Table Element Found in a LOOKUP Operation

Whenever a table name is used in an operation other than LOOKUP, the table name actually refers to the data retrieved by the last successful search. Therefore, when the table name is specified in this fashion, elements from a table can be used in calculation operations.

If the table is used as factor 1 in a LOOKUP operation, the current element is used as the search argument. In this way an element from a table can itself become a search argument.

The table can also be used as the result field in operations other than the LOOKUP operation. In this case the value of the current element is changed by the calculation specification. In this way the contents of the table can be modified by calculation operations (see Figure 79 on page 168).

## Tables

```
*...1....+....2....+....3....+....4....+....5....+....6....+....7...
CL0N01Factor1+++++Opcode(E)+Factor2+++++Result+++++Len++D+HiLoEq..
C ARGMNT LOOKUP TABLEA 20
C* If element is found multiply by 1.5
C* If the contents of the entire table before the MULT operation
C* were 1323.5, -7.8, and 113.4 and the value of ARGMNT is -7.8,
C* then the second element is the current element.
C* After the MULT operation, the entire table now has the
C* following value: 1323.5, -11.7, and 113.4.
C* Note that only the second element has changed since that was
C* the current element, set by the LOOKUP.
C IF *IN20
C TABLE MULT 1.5 TABLEA
C ENDIF
```

Figure 79. Specifying the Table Element Found in LOOKUP Operations

---

## Chapter 10. Data Types and Data Formats

This chapter describes the data types supported by RPG IV and their special characteristics. The supported data types are:

- Character Format
- Numeric Data Type
- Graphic Format
- UCS-2 Format
- Date Data Type
- Time Data Type
- Timestamp Data Type
- Object Data Type
- Basing Pointer Data Type
- Procedure Pointer Data Type

In addition, some of the data types allow different data formats. This chapter describes the difference between internal and external data formats, describes each format, and how to specify them.

---

### Internal and External Formats

Numeric, character, date, time, and timestamp fields have an internal format that is independent of the external format. The **internal format** is the way the data is stored in the program. The **external format** is the way the data is stored in files.

You need to be aware of the internal format when:

- Passing parameters by reference
- Overlaying subfields in data structures

In addition, you may want to consider the internal format of numeric fields, when the run-time performance of arithmetic operations is important. For more information, see “Performance Considerations” on page 399.

There is a default internal and external format for numeric and date-time data types. You can specify an internal format for a specific field on a definition specification. Similarly, you can specify an external format for a program-described field on the corresponding input or output specification.

For fields in an externally described file, the external data format is specified in the data description specifications in position 35. You cannot change the external format of externally described fields, with one exception. If you specify EXTBININT on a control specification, any binary field with zero decimal positions will be treated as having an integer external format.

For subfields in externally described data structures, the data formats specified in the external description are used as the internal formats of the subfields by the compiler.

### Internal Format

The default internal format for numeric standalone fields is packed-decimal. The default internal format for numeric data structure subfields is zoned-decimal. To specify a different internal format, specify the format desired in position 40 on the definition specification for the field or subfield.

The default format for date, time, and timestamp fields is \*ISO. In general, it is recommended that you use the default ISO internal format, especially if you have a mixture of external format types.

For date, time, and timestamp fields, you can use the DATFMT and TIMFMT keywords on the control specification to change the default internal format, if desired, for *all* date-time fields in the program. You can use the DATFMT or TIMFMT keyword on a definition specification to override the default internal format of an *individual* date-time field.

### External Format

If you have numeric, character, or date-time fields in program-described files, you can specify their external format.

The external format does not affect the way in which a field is processed. However, you may be able to improve performance of arithmetic operations, depending on the internal format specified. For more information, see “Performance Considerations” on page 399.

The following table shows how to specify the external format of program-described fields. For more information on each format type, see the appropriate section in the remainder of this chapter.

Table 25. Entries and Locations for Specifying External Formats

| Type of Field  | Specification | Using          |
|----------------|---------------|----------------|
| Input          | Input         | Position 36    |
| Output         | Output        | Position 52    |
| Array or Table | Definition    | EXTFMT keyword |

### Specifying an External Format for a Numeric Field

For any of the fields in Table 25, specify one of the following valid external numeric formats:

- B** Binary
- F** Float
- I** Integer
- L** Left sign
- P** Packed decimal
- R** Right sign
- S** Zoned decimal
- U** Unsigned

The default external format for float numeric data is called the external display representation. The format for 4-byte float data is:



```
+n.nnnnnnnE+ee,
```

where + represents the sign (+ or -)  
 n represents digits in the mantissa  
 e represents digits in the exponent

The format for 8-byte float data is:

```
+n.nnnnnnnnnnnnnnnE+eee
```

Note that a 4-byte float value occupies 14 positions and an 8-byte float value occupies 23 positions.

For numeric data other than float, the default external format is zoned decimal. The external format for compile-time arrays and tables must be zoned-decimal, left-sign or right-sign.

For float compile-time arrays and tables, the compile-time data is specified as either a numeric literal or a float literal. Each element of a 4-byte float array requires 14 positions in the source record; each element of an 8-byte float array requires 23 positions.

Non-float numeric fields defined on input specifications, calculation specifications, or output specifications with no corresponding definition on a definition specification are stored internally in packed-decimal format.

### Specifying an External Format for a Character, Graphic, or UCS-2 Field

For any of the input and output fields in Table 25 on page 170, specify one of the following valid external data formats:

- A Character (valid for character and indicator data)
- N Indicator (valid for character and indicator data)
- G Graphic (valid for graphic data)
- C UCS-2 (valid for UCS-2 data)

The EXTFMT keyword can be used to specify the data for an array or table in UCS-2 format.

Specify the \*VAR data attribute in positions 31-34 on an input specification and in positions 53-80 on an output specification for variable-length character, graphic, or UCS-2 data.

### Specifying an External Format for a Date-Time Field

If you have date, time, and timestamp fields in program-described files, then you *must* specify their external format. You can specify a default external format for all date, time, and timestamp fields in a program-described file by using the DATFMT and TIMFMT keywords on a file description specification. You can specify an external format for a particular field as well. Specify the desired format in positions 31-34 on an input specification. Specify the appropriate keyword and format in positions 53-80 on an output specification.

For more information on each format type, see the appropriate section in the remainder of this chapter.

## Character Data Type

The character data type represents character values and may have any of the following formats:

- A Character
- N Indicator
- G Graphic
- C UCS-2

Character data may contain one or more single-byte or double-byte characters, depending on the format specified. Character, graphic, and UCS-2 fields can also have either a fixed or variable-length format. The following table summarizes the different character data-type formats.

| Character Data Type | Number of Bytes                                                                | CCSID                                                                  |
|---------------------|--------------------------------------------------------------------------------|------------------------------------------------------------------------|
| Character           | One or more <b>single-byte</b> characters that are fixed or variable in length | assumed to be the graphic CCSID related to the runtime job CCSID       |
| Indicator           | One <b>single-byte</b> character that is fixed in length                       | assumed to be the graphic CCSID related to the runtime job CCSID       |
| Graphic             | One or more <b>double-byte</b> characters that are fixed or variable in length | 65535 or a CCSID with the EBCDIC double-byte encoding scheme (x'1200') |
| UCS-2               | One or more <b>double-byte</b> characters that are fixed or variable in length | 13488 (UCS-2 version 2.0)                                              |

For information on the CCSIDs of character data, see “Conversion between Character, Graphic and UCS-2 Data” on page 183.

### Character Format

The fixed-length character format is one or more bytes long with a set length.

For information on the variable-length character format, see “Variable-Length Character, Graphic and UCS-2 Formats” on page 175.

You define a character field by specifying A in the Data-Type entry of the appropriate specification. You can also define one using the LIKE keyword on the definition specification where the parameter is a character field.

The default initialization value is blanks.

### Indicator Format

The indicator format is a special type of character data. Indicators are all one byte long and can only contain the character values '0' (off) and '1' (on). They are generally used to indicate the result of an operation or to condition (control) the processing of an operation. The default value of indicators is '0'.

You define an indicator field by specifying N in the Data-Type entry of the appropriate specification. You can also define an indicator field using the LIKE

keyword on the definition specification where the parameter is an indicator field. Indicator fields are also defined implicitly with the COMMIT keyword on the file description specification.

A special set of predefined RPG IV indicators (\*INxx) is also available. For a description of these indicators, see Chapter 4, “RPG IV Indicators,” on page 35.

The rules for defining indicator variables are:

- Indicators can be defined as standalone fields, subfields, prototyped parameters, and procedure return values.
- If an indicator variable is defined as a prerun-time or compile-time array or table, the initialization data must consist of only '0's and '1's.

**Note:** If an indicator contains a value other than '0' or '1' at runtime, the results are unpredictable.

- If the keyword INZ is specified, the value must be one of '0', \*OFF, '1', or \*ON.
- The keyword VARYING cannot be specified for an indicator field.

The rules for using indicator variables are:

- The default initialization value for indicator fields is '0'.
- Operation code CLEAR sets an indicator variable to '0'.
- Blank-after function applied to an indicator variable sets it to '0'.
- If an array of indicators is specified as the result of a MOVEA(P) operation, the padding character is '0'.
- Indicators are implicitly defined with ALTSEQ(\*NONE). This means that the alternate collating sequence is not used for comparisons involving indicators.
- Indicators may be used as key-fields where the external key is a character of length 1.

## Graphic Format

The graphic format is a character string where each character is represented by 2 bytes.

Fields defined as graphic data do not contain shift-out (SO) or shift-in (SI) characters. The difference between single byte character and double byte graphic data is shown in the following figure:

## Character, Graphic and UCS-2 Data

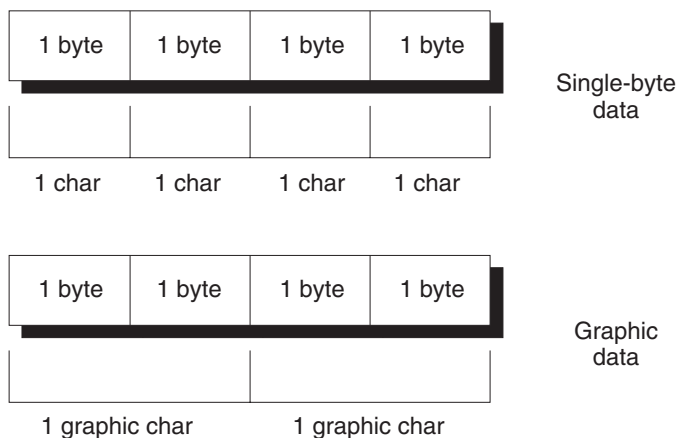


Figure 80. Comparing Single-byte and graphic data

The length of a graphic field, in bytes, is two times the number of graphic characters in the field.

The fixed-length graphic format is a character string with a set length where each character is represented by 2 bytes.

For information on the variable-length graphic format, see “Variable-Length Character, Graphic and UCS-2 Formats” on page 175.

You define a graphic field by specifying G in the Data-Type entry of the appropriate specification. You can also define one using the LIKE keyword on the definition specification where the parameter is a graphic field.

The default initialization value for graphic data is X'4040'. The value of \*HIVAL is X'FFFF', and the value of \*LOVAL is X'0000'.

**Note:** The examples of graphic literals in this manual are not valid graphic literals. They use the letter 'o' to represent the shift-out character and the letter 'i' to represent the shift-in character. Often the graphic data is expressed as D1D2 or AABB; these are not valid double-byte characters. Normally, graphic literals are entered using a DBCS-capable keyboard that automatically enters the shift-out and shift-in characters before and after the DBCS characters are entered.

## UCS-2 Format

The Universal Character Set (UCS-2) format is a character string where each character is represented by 2 bytes. This character set can encode the characters for many written languages.

Fields defined as UCS-2 data do not contain shift-out (SO) or shift-in (SI) characters.

The length of a UCS-2 field, in bytes, is two times the number of UCS-2 characters in the field.

The fixed-length UCS-2 format is a character string with a set length where each character is represented by 2 bytes.

For information on the variable-length UCS-2 format, see “Variable-Length Character, Graphic and UCS-2 Formats.”

You define a UCS-2 field by specifying C in the Data-Type entry of the appropriate specification. You can also define one using the LIKE keyword on the definition specification where the parameter is a UCS-2 field.

The default initialization value for UCS-2 data is X'0020'. The value of \*HIVAL is X'FFFF', \*LOVAL is X'0000', and the value of \*BLANKS is X'0020'.

For more information on the UCS-2 format, see the iSeries Information Center globalization topic.

### Variable-Length Character, Graphic and UCS-2 Formats

Variable-length character fields have a declared maximum length and a current length that can vary while a program is running. The length is measured in single bytes for the character format and in double bytes for the graphic and UCS-2 formats. The storage allocated for variable-length character fields is 2 bytes longer than the declared maximum length. The leftmost 2 bytes are an unsigned integer field containing the current length in characters, graphic characters or UCS-2 characters. The actual character data starts at the third byte of the variable-length field. Figure 81 shows how variable-length character fields are stored:

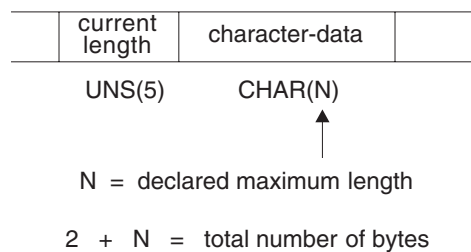


Figure 81. Character Fields with Variable-Length Format

Figure 82 shows how variable-length graphic fields are stored. UCS-2 fields are stored similarly.

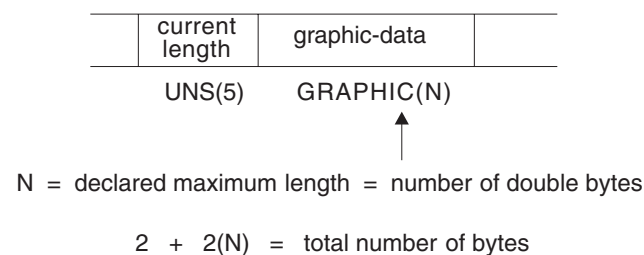


Figure 82. Graphic Fields with Variable-Length Format

**Note:** Only the data up to and including the current length is significant.

You define a variable-length character data field by specifying A (character), G (graphic), or C (UCS-2) and the keyword VARYING on a definition specification. It can also be defined using the LIKE keyword on a definition specification where the parameter is a variable-length character field.

## Character, Graphic and UCS-2 Data

You can refer to external variable-length fields, on an input or output specification, with the \*VAR data attribute.

A variable-length field is initialized by default to have a current length of zero.

For examples of using variable-length fields, see:

- “Using Variable-Length Fields” on page 178
- “%LEN (Get or Set Length)” on page 508
- “%CHAR (Convert to Character Data)” on page 466
- “%REPLACE (Replace Character String)” on page 525.

### Rules for Variable-Length Character, Graphic, and UCS-2 Formats

The following rules apply when defining variable-length fields:

- The declared length of the field can be from 1 to 65535 single-byte characters and from 1 to 16383 double-byte graphic or UCS-2 characters.
- The current length may be any value from 0 to the maximum declared length for the field.
- The field may be initialized using keyword INZ. The initial value is the exact value specified and the initial length of the field is the length of the initial value. The field is padded with blanks for initialization, but the blanks are not included in the length.
- In all cases except subfields defined using positional notation, the length entry (positions 33-39 on the definition specifications) contains the maximum length of the field not including the 2-byte length.
- For subfields defined using positional notation, the length includes the 2-byte length. As a result, a variable-length subfield may be 32769 single bytes long or 16384 double bytes long for an unnamed data structure.
- The keyword VARYING cannot be specified for a data structure.
- For variable-length prerun-time arrays, the initialization data in the file is stored in variable format, including the 2-byte length prefix.
- Since prerun-time array data is read from a file and files have a maximum record length of 32766, variable-length prerun-time arrays have a maximum size of 32764 single-byte characters, or 16382 double-byte graphic or UCS-2 characters.
- A variable-length array or table may be defined with compile-time data. The trailing blanks in the field of data are not significant. The length of the data is the position of the last non-blank character in the field. This is different from prerun-time initialization since the length prefix cannot be stored in compile-time data.
- \*LIKE DEFINE cannot be used to define a field like a variable-length field.

The following is an example of defining variable-length character fields:

```

*.. 1 ...+... 2 ...+... 3 ...+... 4 ...+... 5 ...+... 6 ...+... 7 ...+... *
DName+++++ETDsFrom+++To/L+++IDc.Functions+++++
* Standalone fields:
D var5 S 5A VARYING
D var10 S 10A VARYING INZ('0123456789')
D max_len_a S 32767A VARYING
* Prerun-time array:
D arr1 S 100A VARYING FROMFILE(dataf)
* Data structure subfields:
D ds1 DS
* Subfield defined with length notation:
D sf1_5 S 5A VARYING
D sf2_10 S 10A VARYING INZ('0123456789')
* Subfield defined using positional notation: A(5)VAR
D sf4_5 S 101 107A VARYING
* Subfields showing internal representation of varying:
D sf7_25 S 100A VARYING
D sf7_len S 5I 0 OVERLAY(sf7_25:1)
D sf7_data S 100A OVERLAY(sf7_25:3)
* Procedure prototype
D Replace PR 32765A VARYING
D String S 32765A CONST VARYING OPTIONS(*VARSIZE)
D FromStr S 32765A CONST VARYING OPTIONS(*VARSIZE)
D ToStr S 32765A CONST VARYING OPTIONS(*VARSIZE)
D StartPos S 5U 0 VALUE
D Replaced S 5U 0 OPTIONS(*OMIT)

```

Figure 83. Defining Variable-Length Character and UCS-2 Fields

The following is an example of defining variable-length graphic and UCS-2 fields:

```

* .. 1 ...+... 2 ...+... 3 ...+... 4 ...+... 5 ...+... 6 ...+...
DName+++++ETDsFrom+++To/L+++IDc.Functions+++++
*-----
* Graphic fields
*-----
* Standalone fields:
D GRA20 S 20G VARYING
D MAX_LEN_G S 16383G VARYING
* Prerun-time array:
D ARR1 S 100G VARYING FROMFILE(DATAF)
* Data structure subfields:
D DS1 DS
* Subfield defined with length notation:
D SF3_20 S 20G VARYING
* Subfield defined using positional notation: G(10)VAR
D SF6_10 S 11 32G VARYING
*-----
* UCS-2 fields
*-----
D MAX_LEN_C S 16383C VARYING
D FLD1 S 5C INZ(%UCS2('ABCDE')) VARYING
D FLD2 S 2C INZ(U'01230123') VARYING
D FLD3 S 2C INZ(*HIVAL) VARYING
D DS_C DS
D SF3_20_C S 20C VARYING
* Subfield defined using positional notation: C(10)VAR
D SF_110_C S 11 32C VARYING

```

Figure 84. Defining Variable-Length Graphic and UCS-2 Fields

### Using Variable-Length Fields

The length part of a variable-length field represents the current length of the field measured in characters. For character fields, this length also represents the current length in bytes. For double-byte fields (graphic and UCS-2), this represents the length of the field in double bytes. For example, a UCS-2 field with a current length of 3 is 3 double-byte characters long, and 6 bytes long.

The following sections describe how to best use variable-length fields and how the current length changes when using different operation codes.

**How the Length of the Field is Set:** When a variable-length field is initialized using INZ, the initial length is set to be the length of the initialization value. For example, if a character field of length 10 is initialized to the value 'ABC', the initial length is set to 3.

The EVAL operation changes the length of a variable-length target. For example, if a character field of length 10 is assigned the value 'XY', the length is set to 2.

```

*.. 1 ...+... 2 ...+... 3 ...+... 4 ...+... 5 ...+... 6 ...+... 7 ...+... 8
DName+++++ETDsFrom+++To/L+++IDc.Keywords+++++
D fld 10A VARYING
 * It does not matter what length 'fld' has before the
 * EVAL; after the EVAL, the length will be 2.
CLON01Factor1+++++Opcode(E)+Factor2+++++Result+++++Len++D+HiLoEq...
C EVAL fld = 'XY'

```

The DSPLY operation changes the length of a variable-length result field to the length of the value entered by the user. For example, if the result field is a character field of length 10, and the value entered by the user is '12345', the length of the field will be set to 5 by the DSPLY operation.

The CLEAR operation changes the length of a variable-length field to 0.

The PARM operation sets the length of the result field to the length of the field in Factor 2, if specified.

Fixed form operations MOVE, MOVEL, CAT, SUBST and XLATE do not change the length of variable-length result fields. For example, if the value 'XYZ' is moved using MOVE to a variable-length character field of length 10 whose current length is 2, the length of the field will not change and the data will be truncated.

```

*.. 1 ...+... 2 ...+... 3 ...+... 4 ...+... 5 ...+... 6 ...+... 7 ...+... 8
DName+++++ETDsFrom+++To/L+++IDc.Keywords+++++
D fld 10A VARYING
 * Assume fld has a length of 2 before the MOVE.
 * After the first MOVE, it will have a value of 'XY'
CLON01Factor1+++++Opcode(E)+Factor2+++++Result+++++Len++D+HiLoEq...
C MOVE 'XYZ' fld
 * After the second MOVE, it will have the value '1Y'
C MOVE '1' fld

```

**Note:** The recommended use for MOVE and MOVEL, as opposed to EVAL, is for changing the value of fields that you want to be temporarily fixed in length.



An example is building a report with columns whose size may vary from day to day, but whose size should be fixed for any given run of the program.

When a field is read from a file (Input specifications), the length of a variable-length field is set to the length of the input data.

The "Blank After" function of Output specifications sets the length of a variable-length field to 0.

You can set the length of a variable-length field yourself using the %LEN built-in function on the left-hand-side of an EVAL operation.

**How the Length of the Field is Used:** When a variable-length field is used for its value, its current length is used. For the following example, assume 'result' is a fixed length field with a length of 7.

```

*.. 1 ...+... 2 ...+... 3 ...+... 4 ...+... 5 ...+... 6 ...+... 7 ...+... 8
DName+++++ETDsFrom+++To/L+++IDc.Keywords+++++
D fld 10A VARYING
* For the following EVAL operation
* Value of 'fld' Length of 'fld' 'result'
* ----- ----- -----
* 'ABC' 3 'ABCxxx '
* 'A' 1 'Axxx '
* '' 0 'xxx '
* 'ABCDEFGHIJ' 10 'ABCDEFG'
CL0N01Factor1+++++Opcode(E)+Factor2+++++Result+++++Len++D+HiLoEq...
C EVAL result = fld + 'xxx'
* For the following MOVE operation, assume 'result'
* has the value '.....' before the MOVE.
* Value of 'fld' Length of 'fld' 'result'
* ----- ----- -----
* 'ABC' 3 '....ABC'
* 'A' 1 '.....A'
* '' 0 '.....'
* 'ABCDEFGHIJ' 10 'DEFGHIJ'
C MOVE fld result

```

**Why You Should Use Variable-Length Fields:** Using variable-length fields for temporary variables can improve the performance of string operations, as well as making your code easier to read since you do not have to save the current length of the field in another variable for %SUBST, or use %TRIM to ignore the extra blanks.

If a subprocedure is meant to handle string data of different lengths, using variable-length fields for parameters and return values of prototyped procedures can enhance both the performance and readability of your calls and your procedures. You will not need to pass any length parameters or use CEEDOD within your subprocedure to get the actual length of the parameter.

**CVTOPT(\*VARCHAR) and CVTOPT(\*VARGRAPHIC)**

The ILE RPG compiler can internally define variable-length character, graphic, or UCS-2 fields from an externally described file or data structure as fixed-length character fields. Although converting variable-length character, graphic, and UCS-2 fields to fixed-length format is not necessary, CVTOPT remains in the language to support programs written before variable-length fields were supported.

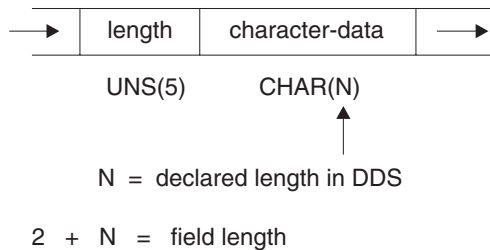
## Character, Graphic and UCS-2 Data

You can convert variable-length fields by specifying \*VARCHAR (for variable-length character fields) or \*VARGRAPHIC (for variable-length graphic or UCS-2 fields) on the CVTOPT control specification keyword or command parameter. When \*VARCHAR or \*VARGRAPHIC is not specified, or \*NOVARCHAR or \*NOVARGRAPHIC is specified, variable-length fields are not converted to fixed-length character and can be used in your ILE RPG program as variable-length.

The following conditions apply when \*VARCHAR or \*VARGRAPHIC is specified:

- If a variable-length field is extracted from an externally described file or an externally described data structure, it is declared in an ILE RPG program as a fixed-length character field.
- For single-byte character fields, the length of the declared ILE RPG field is the length of the DDS field plus 2 bytes.
- For DBCS-graphic data fields, the length of the declared ILE RPG field is twice the length of the DDS field plus 2 bytes.
- The two extra bytes in the ILE RPG field contain a unsigned integer number which represents the current length of the variable-length field. Figure 85 shows the ILE RPG field length of variable-length fields.
- For variable-length graphic fields defined as fixed-length character fields, the length is double the number of graphic characters.

### Single-byte character fields:



### Graphic data type fields:

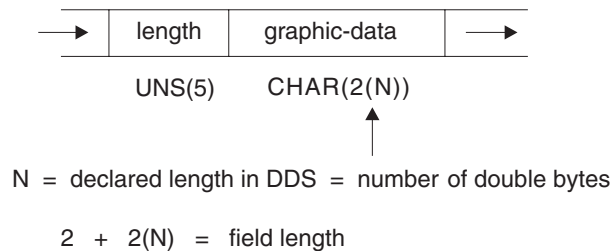


Figure 85. ILE RPG Field Length of Converted Variable-Length Fields

- Your ILE RPG program can perform any valid character calculation operations on the declared fixed-length field. However, because of the structure of the field, the first two bytes of the field must contain valid unsigned integer data when the field is written to a file. An I/O exception error will occur for an output operation if the first two bytes of the field contain invalid field-length data.
- Control-level indicators, match field entries, and field indicators are not allowed on an input specification if the input field is a variable-length field from an externally described input file.

- Sequential-within-limits processing is not allowed when a file contains variable-length key fields.
- Keyed operations are not allowed when factor 1 of a keyed operation corresponds to a variable-length key field in an externally described file.
- If you choose to selectively output certain fields in a record and the variable-length field is either not specified on the output specification or is ignored in the ILE RPG program, the ILE RPG compiler will place a default value in the output buffer of the newly added record. The default is 0 in the first two bytes and blanks in all of the remaining bytes.
- If you want to change converted variable-length fields, ensure that the current field length is correct. One way to do this is:
  1. Define a data structure with the variable-length field name as a subfield name.
  2. Define a 5-digit unsigned integer subfield overlaying the beginning of the field, and define an N-byte character subfield overlaying the field starting at position 3.
  3. Update the field.

Alternatively, you can move another variable-length field left-aligned into the field. An example of how to change a converted variable-length field in an ILE RPG program follows.

## Character, Graphic and UCS-2 Data

```

*..1....+....2....+....3....+....4....+....5....+....6....+....7....+..
A*
A* File MASTER contains a variable-length field
A*
AAN01N02N03T.Name+++++Rlen++TDpBlinPosFunctions+++++
A*
A R REC
A FLDVAR 100 VARLEN
*..1....+....2....+....3....+....4....+....5....+....6....+....7....+.. *
*
* Specify the CVTOPT(*VARIABLE) keyword on a control
* specification or compile the ILE RPG program with
* CVTOPT(*VARIABLE) on the command.
*
HKeywords+++++
*
H CVTOPT(*VARIABLE)
*
* Externally described file name is MASTER.
*
FFilename++IPEASFRlen+LKlen+AIDevice+.Keywords+++++
*
FMASTER UF E DISK
*
* FLDVAR is a variable-length field defined in DDS with
* a DDS length of 100. Notice that the RPG field length
* is 102.
*
DName+++++ETDsFrom+++To/L+++IDc.Keywords+++++
*
D DS
D FLDVAR 1 102
D FLDLEN 5U 0 OVERLAY(FLDVAR:1)
D FLDCHR 100 OVERLAY(FLDVAR:3)
CL0N01Factor1+++++Opcode(E)+Factor2+++++Result+++++Len++D+HiLoEq..
*
* A character value is moved to the field FLDCHR.
* After the CHECKR operation, FLDLEN has a value of 5.
C READ MASTER LR
C MOVEL 'SALES' FLDCHR
C CHECKR FLDCHR FLDLEN
C NLR UPDATE REC

```

Figure 86. Converting a Variable-Length Character Field

If you would like to use a converted variable-length graphic field, you can code a 2-byte unsigned integer field to hold the length, and a graphic subfield of length N to hold the data portion of the field.

```

*
* Specify the CVTOPT(*VARGRAPHIC) keyword on a control
* specification or compile the ILE RPG program with
* CVTOPT(*VARGRAPHIC) on the command.
*
* The variable-length graphic field VGRAPH is declared in the
* DDS as length 3. This means the maximum length of the field
* is 3 double bytes, or 6 bytes. The total length of the field,
* counting the length portion, is 8 bytes.
*
DName+++++ETDsFrom+++To/L+++IDc.Keywords+++++
*
D DS
DVGRAPH 8
D VLEN 4U 0 OVERLAY(VGRAPH:1)
D VDATA 3G OVERLAY(VGRAPH:3)
*
* Assume GRPH is a fixed-length graphic field of length 2
* double bytes. Copy GRPH into VGRAPH and set the length of
* VGRAPH to 2.
*
CL0N01Factor1+++++Opcode(E)+Factor2+++++Result+++++Len++D+HiLoEq..
C*
C MOVEL GRPH VDATA
C Z-ADD 2 VLEN

```

Figure 87. Converting a Variable-Length Graphic Field

## Conversion between Character, Graphic and UCS-2 Data

**Note:** If graphic CCSIDs are ignored (CCSID(\*GRAPH:\*IGNORE) was specified on the control specification or CCSID(\*GRAPH) was not specified at all), graphic data is not considered to have a CCSID and conversions are not supported between graphic data and UCS-2 data.

Character, graphic, and UCS-2 data can have different CCSIDs (Coded Character Set IDs). Conversion between these data types depends on the CCSID of the data.

### CCSIDs of Data

The CCSID of character data is only considered when converting between character and UCS-2 data or between character and graphic data (unless graphic CCSIDs are being ignored).

When converting between character and graphic data, the CCSID of the character data is assumed to be the graphic CCSID related to the job CCSID.

When converting between character and UCS-2 data, the CCSID of the character data is assumed to be the mixed-byte CCSID related to the job CCSID.

The CCSID of UCS-2 data defaults to 13488. This default can be changed using the CCSID(\*UCS2) keyword on the Control specification. The CCSID for program-described UCS-2 fields can be specified using the CCSID keyword on the Definition specification. The CCSID for externally-described UCS-2 fields comes from the external file.

**Note:** UCS-2 fields are defined in DDS by specifying a data type of G and a CCSID of 13488.

## Character, Graphic and UCS-2 Data

The CCSID of graphic data defaults to the value specified in the CCSID(\*GRAPH) keyword on the Control specification. The CCSID for program-described graphic fields can be specified using the CCSID keyword on the Definition specification. The CCSID for externally-described graphic fields comes from the external file.

### Conversions

Conversion between character, graphic, and UCS-2 data is supported using the MOVE and MOVE\* operations and the %CHAR, %GRAPH, and %UCS2 built-in functions.

Additionally, graphic data and UCS-2 data can be converted from one CCSID to another using the conversion operations and built-in functions, and also using EVAL and when passing prototyped parameters.

Otherwise, UCS-2 fields, character fields and graphic fields, and UCS-2 fields or graphic fields with different CCSIDs cannot be mixed in the same operation or built-in function.

Conversion between character and double-byte graphic fields consists of adding or removing shift-out and shift-in bracketing and possibly performing CCSID conversion on the graphic data.

## Alternate Collating Sequence

The alternate collating sequence applies only to single-byte character data.

Each character is represented internally by a hexadecimal value, which governs the order (ascending or descending sequence) of the characters and is known as the normal collating sequence. The alternate collating sequence function can be used to alter the normal collating sequence. This function also can be used to allow two or more characters to be considered equal.

### Changing the Collating Sequence

Using an alternate collating sequence means modifying the collating sequence for character match fields (file selection) and character comparisons. You specify that an alternate collating sequence will be used by specifying the ALTSEQ keyword on the control specification. The calculation operations affected by the alternate collating sequence are ANDxx, COMP, CABxx, CASxx, DOU, DOUxx, DOW, DOWxx, IF, IFxx, ORxx, WHEN, and WHENxx. This does not apply to graphic or UCS-2 compare operations. LOOKUP and SORTA are affected only if you specify ALTSEQ(\*EXT). The characters are not permanently changed by the alternate collating sequence, but are temporarily altered until the matching field or character compare operation is completed.

Use the ALTSEQ(\*NONE) keyword on the definition specification for a variable to indicate that when the variable is being compared with other character data, the normal collating sequence should always be used even if an alternate collating sequence was defined.

Changing the collating sequence does not affect the LOOKUP and SORTA operations (unless you specify ALTSEQ(\*EXT)) or the hexadecimal values assigned to the figurative constants \*HIVAL and \*LOVAL. However, changing the collating sequence can affect the order of the values of \*HIVAL and \*LOVAL in the collating sequence. Therefore, if you specify an alternate collating sequence in your program and thereby cause a change in the order of the values of \*HIVAL and \*LOVAL, undesirable results may occur.

## Using an External Collating Sequence

To specify that the values in the SRTSEQ and LANGID command parameters or control specification keywords should be used to determine the alternate collating sequence, specify ALTSEQ(\*EXT) on the control specification. For example, if ALTSEQ(\*EXT) is used, and SRTSEQ(\*LANGIDSHR) and LANGID(\*JOB RUN) are specified, then when the program is run, the shared-weight table for the user running the program will be used as the alternate collating sequence.

Since the LOOKUP and SORTA operations are affected by the alternate collating sequence when ALTSEQ(\*EXT) is specified, character compile-time arrays and tables are sequence-checked using the alternate collating sequence. If the actual collating sequence is not known until runtime, the array and table sequence cannot be checked until runtime. This means that you could get a runtime error saying that a compile-time array or table is out of sequence.

Pre-run arrays and tables are also sequence-checked using the alternate collating sequence when ALTSEQ(\*EXT) is specified.

**Note:** The preceding discussion does not apply for any arrays and tables defined with ALTSEQ(\*NONE) on the definition specification.

## Specifying an Alternate Collating Sequence in Your Source

To specify that an alternate collating sequence is to be used, use the ALTSEQ(\*SRC) keyword on the control specification. If you use the \*\*ALTSEQ, \*\*CTDATA, and \*\*FTRANS keywords in the compile-time data section, the alternate-collating sequence data may be entered anywhere following the source records. If you do not use those keywords, the sequence data must follow the source records, and the file translation records but precede any compile-time array data.

If a character is to be inserted between two consecutive characters, you must specify every character that is altered by this insertion. For example, if the dollar sign (\$) is to be inserted between A and B, specify the changes for character B onward.

See Appendix B, "EBCDIC Collating Sequence," on page 857 for the EBCDIC character set.

## Formatting the Alternate Collating Sequence Records

The changes to the collating sequence must be transcribed into the correct record format so that they can be entered into the system. The alternate collating sequence must be formatted as follows:

| Record Position | Entry                                                                                                        |
|-----------------|--------------------------------------------------------------------------------------------------------------|
| 1-6             | ALTSEQ (This indicates to the system that the normal sequence is being altered.)                             |
| 7-10            | Leave these positions blank.                                                                                 |
| 11-12           | Enter the hexadecimal value for the character whose normal sequence is being changed.                        |
| 13-14           | Enter the hexadecimal value of the character replacing the character whose normal sequence is being changed. |

## Character, Graphic and UCS-2 Data

| Record Position                         | Entry                                                                                                                                                                                                                                                                                             |
|-----------------------------------------|---------------------------------------------------------------------------------------------------------------------------------------------------------------------------------------------------------------------------------------------------------------------------------------------------|
| 15-18<br>19-22<br>23-26<br>...<br>77-80 | All groups of four beginning with position 15 are used in the same manner as positions 11 through 14. In the first two positions of a group enter the hexadecimal value of the character to be replaced. In the last two positions enter the hexadecimal value of the character that replaces it. |

The records that describe the alternate collating sequence must be preceded by a record with **\*\*b** (b = blank) in positions 1 through 3. The remaining positions in this record can be used for comments.

|                                                                               |                         |           |                    |
|-------------------------------------------------------------------------------|-------------------------|-----------|--------------------|
| HKeywords++++++++++++++++++++++++++++++++++++++++++++++++++++++++++++++++++++ |                         |           |                    |
| <b>H ALTSEQ(*SRC)</b>                                                         |                         |           |                    |
| <b>DFLD1</b>                                                                  | <b>s</b>                | <b>4A</b> | <b>INZ('abcd')</b> |
| <b>DFLD2</b>                                                                  | <b>s</b>                | <b>4A</b> | <b>INZ('ABCD')</b> |
| <b>**</b>                                                                     |                         |           |                    |
| <b>ALTSEQ</b>                                                                 | <b>81C182C283C384C4</b> |           |                    |

---

## Numeric Data Type

The numeric data type represents numeric values. Numeric data has one of the following formats:

- B** Binary Format
- F** Float Format
- I** Integer Format
- P** Packed-Decimal Format
- U** Unsigned Format
- Z** Zoned-Decimal Format

The default initialization value for numeric fields is zero.

### Binary Format

Binary format means that the sign (positive or negative) is in the leftmost bit of the field and the numeric value is in the remaining bits of the field. Positive numbers have a zero in the sign bit; negative numbers have a one in the sign bit and are in twos complement form. A binary field can be from one to nine digits in length and can be defined with decimal positions. If the length of the field is from one to four digits, the compiler assumes a binary field length of 2 bytes. If the length of the field is from five to nine digits, the compiler assumes a binary field length of 4 bytes.

### Processing of a Program-Described Binary Input Field

Every input field read in binary format is assigned a field length (number of digits) by the compiler. A length of 4 is assigned to a 2-byte binary field; a length of 9 is assigned to a 4-byte binary field, if the field is not defined elsewhere in the program. Because of these length restrictions, the highest decimal value that can be assigned to a 2-byte binary field is 9999 and the highest decimal value that can be assigned to a 4-byte binary field is 999 999 999. In general, a binary field of n digits can have a maximum value of n 9s. This discussion assumes zero decimal positions.



Because a 2-byte field in binary format is converted by the compiler to a decimal field with 1 to 4 digits, the input value may be too large. If it is, the leftmost digit of the number is dropped. For example, if a four digit binary input field has a binary value of hexadecimal 6000, the compiler converts this to 24 576 in decimal. The 2 is dropped and the result is 4576. Similarly, the input value may be too large for a 4-byte field in binary format. If the binary fields have zero (0) decimal positions, then you can avoid this conversion problem by defining integer fields instead of binary fields.

**Note:** Binary input fields cannot be defined as match or control fields.

### Processing of an Externally Described Binary Input Field

The number of digits of a binary field is exactly the same as the length in the DDS description. For example, if you define a binary field in your DDS specification as having 7 digits and 0 decimal positions, the RPG IV compiler handles the data like this:

1. The field is defined as a 4-byte binary field in the input specification
2. A Packed(7,0) field is generated for the field in the RPG IV program.

If you want to retain the complete binary field information, redefine the field as a binary subfield in a data structure or as a binary stand-alone field.

Note that an externally described binary field may have a value outside of the range allowed by RPG IV binary fields. If the externally described binary field has zero (0) decimal positions then you can avoid this problem. To do so, you define the externally described binary field on a definition specification and specify the EXTBININT keyword on the control specification. This will change the external format of the externally described field to that of a signed integer.

## Float Format

The float format consists of two parts:

- the mantissa and
- the exponent.

The value of a floating-point field is the result of multiplying the mantissa by 10 raised to the power of the exponent. For example, if 1.2345 is the mantissa and 5 is the exponent then the value of the floating-point field is:

$$1.2345 * (10 ** 5) = 123450$$

You define a floating-point field by specifying F in the data type entry of the appropriate specification.

The decimal positions must be left blank. However, floating-point fields are considered to have decimal positions. As a result, float variables may not be used in any place where a numeric value without decimal places is required, such as an array index, do loop index, etc.

The default initialization and CLEAR value for a floating point field is 0E0.

The length of a floating point field is defined in terms of the number of bytes. It must be specified as either 4 or 8 bytes. The range of values allowed for a floating-point field are:

|                                |                                                                               |
|--------------------------------|-------------------------------------------------------------------------------|
| <b>4-byte float (8 digits)</b> | -3.4028235E+38 to -1.1754944E-38, 0.0E+0,<br>+1.1754944E-38 to +3.4028235E+38 |
|--------------------------------|-------------------------------------------------------------------------------|

## Numeric Data Type

**8-byte float (16 digits)**      -1.797693134862315E+308 to -2.225073858507201E-308, 0.0E+0, +2.225073858507201E-308 to +1.797693134862315E+308

**Note:** Float variables conform to the IEEE standard as supported by the i5/OS operating system. Since float variables are intended to represent "scientific" values, a numeric value stored in a float variable may not represent the exact same value as it would in a packed variable. Float should not be used when you need to represent numbers exactly to a specific number of decimal places, such as monetary amounts.

### External Display Representation of a Floating-Point Field

See "Specifying an External Format for a Numeric Field" on page 170 for a general description of external display representation.

The external display representation of float values applies for the following:

- Output of float data with Data-Format entry blank.
- Input of float data with Data-Format entry blank.
- External format of compile-time and prerun-time arrays and tables (when keyword EXTFMT is omitted).
- Display and input of float values using operation code DSPLY.
- Output of float values on a dump listing.
- Result of built-in function %EDITFLT.

**Output:** When outputting float values, the external representation uses a format similar to float literals, except that:

- Values are always written with the character E and the signs for both mantissa and exponent.
- Values are either 14 or 23 characters long (for **4F** and **8F** respectively).
- Values are normalized. That is, the decimal point immediately follows the most significant digit.
- The decimal separator character is either period or comma depending on the parameter for Control Specification keyword DECEDIT.

Here are some examples of how float values are presented:

```
+1.2345678E-23
-8.2745739E+03
-5.722748027467392E-123
+1,2857638E+14 if DECEDIT(',') is specified
```

**Input:** When inputting float values, the value is specified just like a float literal. The value does not have to be normalized or adjusted in the field. When float values are defined as array/table initialization data, they are specified in fields either 14 or 23 characters long (for **4F** and **8F** respectively).

Note the following about float fields:

- Alignment of float fields may be desired to improve the performance of accessing float subfields. You can use the ALIGN keyword to align float subfields defined on a definition specification. 4-byte float subfields are aligned on a 4-byte boundary and 8-byte float subfields are aligned along a 8-byte boundary. For more information on aligning float subfields, see "ALIGN" on page 298.

- Length adjustment is not allowed when the LIKE keyword is used to define a field like a float field.
- Float input fields cannot be defined as match or control fields.

## Integer Format

The integer format is similar to the binary format with two exceptions:

- The integer format allows the full range of binary values
- The number of decimal positions for an integer field is always zero.

You define an integer field by specifying I in the Data-Type entry of the appropriate specification. You can also define an integer field using the LIKE keyword on a definition specification where the parameter is an integer field.

The length of an integer field is defined in terms of number of digits; it can be 3, 5, 10, or 20 digits long. A 3-digit field takes up 1 byte of storage; a 5-digit field takes up 2 bytes of storage; a 10-digit field takes up 4 bytes; a 20-digit field takes up 8 bytes. The range of values allowed for an integer field depends on its length.

| Field length     | Range of Allowed Values                     |
|------------------|---------------------------------------------|
| 3-digit integer  | -128 to 127                                 |
| 5-digit integer  | -32768 to 32767                             |
| 10-digit integer | -2147483648 to 2147483647                   |
| 20-digit integer | -9223372036854775808 to 9223372036854775807 |

Note the following about integer fields:

- Alignment of integer fields may be desired to improve the performance of accessing integer subfields. You can use the ALIGN keyword to align integer subfields defined on a definition specification.  
2-byte integer subfields are aligned on a 2-byte boundary; 4-byte integer subfields are aligned along a 4-byte boundary; 8-byte integer subfields are aligned along an 8-byte boundary. For more information on aligning integer subfields, see “ALIGN” on page 298.
- If the LIKE keyword is used to define a field like an integer field, the Length entry may contain a length adjustment in terms of number of digits. The adjustment value must be such that the resulting number of digits for the field is 3, 5, 10, or 20.
- Integer input fields cannot be defined as match or control fields.

## Packed-Decimal Format

Packed-decimal format means that each byte of storage (except for the low order byte) can contain two decimal numbers. The low-order byte contains one digit in the leftmost portion and the sign (positive or negative) in the rightmost portion. The standard signs are used: hexadecimal F for positive numbers and hexadecimal D for negative numbers. The packed-decimal format looks like this:

## Numeric Data Type

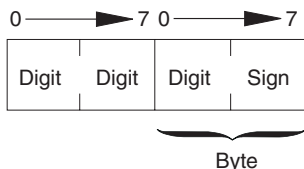


Figure 88. Packed-Decimal Format

The sign portion of the low-order byte indicates whether the numeric value represented in the digit portions is positive or negative. Figure 90 on page 194 shows what the decimal number 21544 looks like in packed-decimal format.

### Determining the Digit Length of a Packed-Decimal Field

Use the following formula to find the length in digits of a packed-decimal field:

$$\text{Number of digits} = 2n - 1,$$

...where n = number of packed input record positions used.

# This formula gives you the maximum number of digits you can represent in  
# packed-decimal format; the upper limit is 63.

# Packed fields can be up to 32 bytes long. Table 26 shows the packed equivalents  
# for zoned-decimal fields up to 63 digits long:

Table 26. Packed Equivalents for Zoned-Decimal Fields up to 63 Digits Long

| Zoned-Decimal Length in Digits | Number of Bytes Used in Packed-Decimal Field |
|--------------------------------|----------------------------------------------|
| 1                              | 1                                            |
| 2, 3                           | 2                                            |
| 4, 5                           | 3                                            |
| ⋮                              | ⋮                                            |
| 28, 29                         | 15                                           |
| 30, 31                         | 16                                           |
| ⋮                              | ⋮                                            |
| 60, 61                         | 31                                           |
| 62, 63                         | 32                                           |

# For example, an input field read in packed-decimal format has a length of five  
# bytes (as specified on the input or definition specifications). The number of digits  
# in this field equals  $2(5) - 1$  or 9. Therefore, when the field is used in the calculation  
# specifications, the result field must be nine positions long. The "PACKEVEN" on  
# page 331 keyword on the definition specification can be used to indicate which of  
# the two possible sizes you want when you specify a packed subfield using from  
# and to positions rather than number of digits.

## Unsigned Format

The unsigned integer format is like the integer format except that the range of values does not include negative numbers. You should use the unsigned format only when non-negative integer data is expected.

You define an unsigned field by specifying U in the Data-Type entry of the appropriate specification. You can also define an unsigned field using the LIKE keyword on the definition specification where the parameter is an unsigned field.

The length of an unsigned field is defined in terms of number of digits; it can be 3, 5, 10, or 20 digits long. A 3-digit field takes up 1 byte of storage; a 5-digit field takes up 2 bytes of storage; a 10-digit field takes up 4 bytes; a 20-digit field takes up 8 bytes. The range of values allowed for an unsigned field depends on its length.

| Field length      | Range of Allowed Values   |
|-------------------|---------------------------|
| 3-digit unsigned  | 0 to 255                  |
| 5-digit unsigned  | 0 to 65535                |
| 10-digit unsigned | 0 to 4294967295           |
| 20-digit unsigned | 0 to 18446744073709551615 |

For other considerations regarding the use of unsigned fields, including information on alignment, see "Integer Format" on page 189.

### Zoned-Decimal Format

Zoned-decimal format means that each byte of storage can contain one digit or one character. In the zoned-decimal format, each byte of storage is divided into two portions: a 4-bit zone portion and a 4-bit digit portion. The zoned-decimal format looks like this:

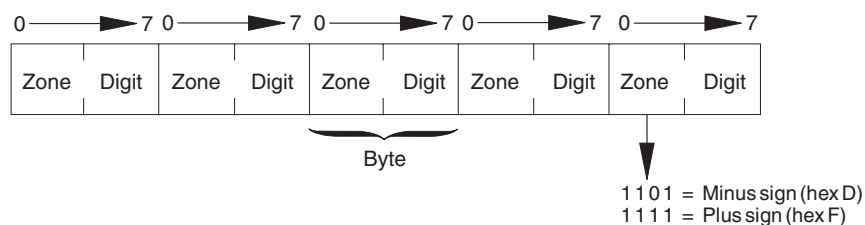


Figure 89. Zoned-Decimal Format

The zone portion of the low-order byte indicates the sign (positive or negative) of the decimal number. The standard signs are used: hexadecimal F for positive numbers and hexadecimal D for negative numbers. In zoned-decimal format, each digit in a decimal number includes a zone portion; however, only the low-order zone portion serves as the sign. Figure 90 on page 194 shows what the number 21544 looks like in zoned-decimal format.

You must consider the change in field length when coding the end position in positions 40 through 43 of the Output specifications and the field is to be output in packed format. To find the length of the field after it has been packed, use the following formula:

## Numeric Data Type

$$\text{Field length} = \frac{n}{2} + 1$$

... where n = number of digits in the zoned decimal field.

(Any remainder from the division is ignored.)

You can specify an alternative sign format for zoned-decimal format. In the alternative sign format, the numeric field is immediately preceded or followed by a + or - sign. A plus sign is a hexadecimal 4E, and a minus sign is a hexadecimal 60.

When an alternative sign format is specified, the field length (specified on the input specification) must include an additional position for the sign. For example, if a field is 5 digits long and the alternative sign format is specified, a field length of 6 positions must be specified.

### Considerations for Using Numeric Formats

Keep in mind the following when defining numeric fields:

- When coding the end position in positions 47 through 51 of the output specifications, be sure to use the external format when calculating the number of bytes to be occupied by the output field. For example, a packed field with 5 digits is stored in 3 bytes, but when output in zoned format, it requires 5 bytes. When output in integer format, it only requires 2 bytes.
- If you move a character field to a zoned numeric, the sign of the character field is fixed to zoned positive or zoned negative. The zoned portion of the other bytes will be forced to 'F'. However, if the digit portion of one of the bytes in the character field does not contain a valid digit a decimal data error will occur.
- When numeric fields are written out with no editing, the sign is not printed as a separate character; the last digit of the number will include the sign. This can produce surprising results; for example, when -625 is written out, the zoned decimal value is X'F6F2D5' which appears as 62N.

### Guidelines for Choosing the Numeric Format for a Field

You should specify the integer or unsigned format for fields when:

- Performance of arithmetic is important  
With certain arithmetic operations, it may be important that the value used be an integer. Some examples where performance may be improved include array index computations and arguments for the built-in function %SUBST.
- Interacting with routines written in other languages that support an integer data type, such as ILE C.
- Using fields in file feedback areas that are defined as integer and that may contain values above 9999 or 999999999.

Packed, zoned, and binary formats should be specified for fields when:

- Using values that have implied decimal positions, such as currency values
- Manipulating values having more than 19 digits
- Ensuring a specific number of digits for a field is important

Float format should be specified for fields when:

- The same variable is needed to hold very small and/or very large values that cannot be represented in packed or zoned values.

#  
#

However, float format should *not* be used when more than 16 digits of precision are needed.

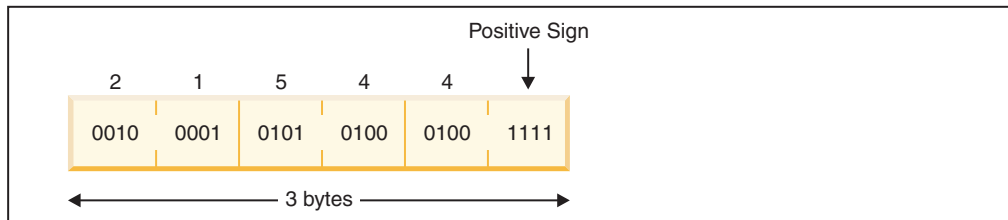
**Note:** Overflow is more likely to occur with arithmetic operations performed using the integer or unsigned format, especially when integer arithmetic occurs in free-form expressions. This is because the intermediate results are kept in integer or unsigned format rather than a temporary decimal field of sufficient size.

### Representation of Numeric Formats

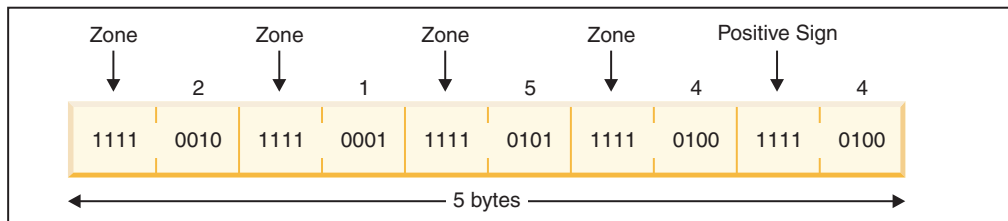
Figure 90 on page 194 shows what the decimal number 21544 looks like in various formats.

## Numeric Data Type

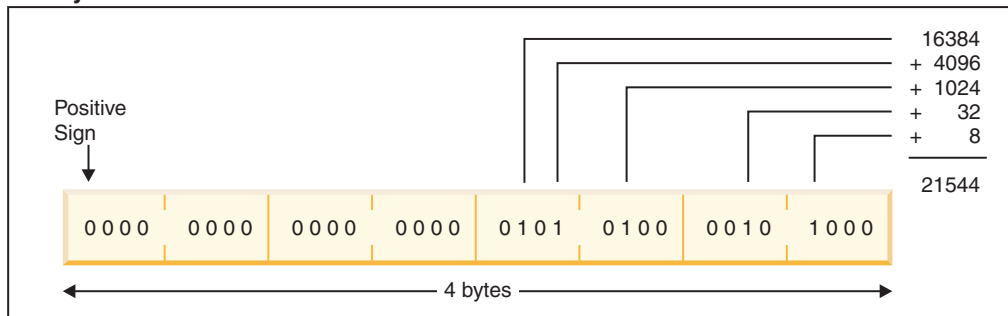
### Packed Decimal Format



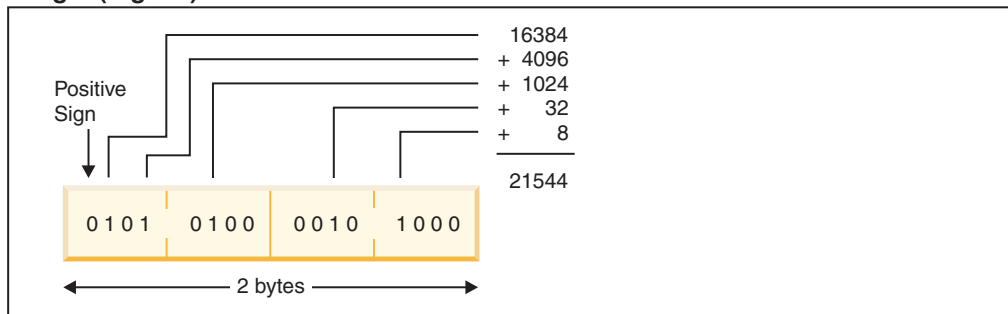
### Zoned Decimal Format



### Binary Format



### Integer (Signed) Format



### Unsigned Format

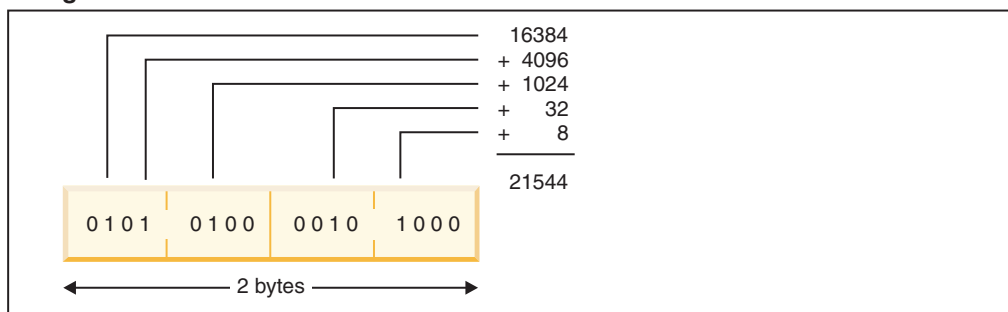


Figure 90. Representation of the Number 21544 in each of the Numeric Formats

Note the following about the representations in the figure.



- To obtain the numeric value of a positive binary or integer number, unsigned number, add the values of the bits that are on (1), but do not include the sign bit (if present). For an unsigned number, add the values of the bits that are on, including the leftmost bit.
- The value 21544 cannot be represented in a 2-byte binary field even though it only uses bits in the low-order two bytes. A 2-byte binary field can only hold up to 4 digits, and 21544 has 5 digits.

Figure 91 shows the number -21544 in integer format.

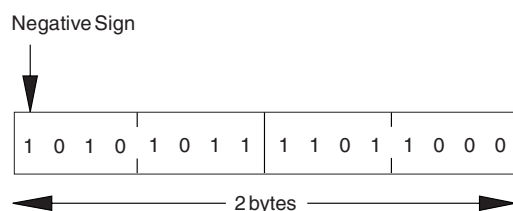


Figure 91. Integer Representation of the Number -21544

## Date Data Type

Date fields have a predetermined size and format. They can be defined on the definition specification. Leading and trailing zeros are required for all date data.

Date constants or variables used in comparisons or assignments do not have to be in the same format or use the same separators. Also, dates used for I/O operations such as input fields, output fields or key fields are also converted (if required) to the necessary format for the operation.

The default internal format for date variables is \*ISO. This default internal format can be overridden globally by the control specification keyword DATFMT and individually by the definition specification keyword DATFMT.

The hierarchy used when determining the internal date format and separator for a date field is

1. From the DATFMT keyword specified on the definition specification
2. From the DATFMT keyword specified on the control specification
3. \*ISO

There are three kinds of date data formats, depending on the range of years that can be represented. This leads to the possibility of a date overflow or underflow condition occurring when the result of an operation is a date outside the valid range for the target field. The formats and ranges are as follows:

| Number of Digits in Year             | Range of Years |
|--------------------------------------|----------------|
| 2 (*YMD, *DMY, *MDY, *JUL)           | 1940 to 2039   |
| 3 (*CYMD, *CDMY, *CMDY)              | 1900 to 2899   |
| 4 (*ISO, *USA, *EUR, *JIS, *LONGJUL) | 0001 to 9999   |

Table 27 on page 196 lists the RPG-defined formats for date data and their separators.

For examples on how to code date fields, see the examples in:

## Date Data Type

- “Date Operations” on page 412
- “Moving Date-Time Data” on page 424
- “ADDDUR (Add Duration)” on page 566
- “MOVE (Move)” on page 676
- “EXTRCT (Extract Date/Time/Timestamp)” on page 645
- “SUBDUR (Subtract Duration)” on page 774
- “TEST (Test Date/Time/Timestamp)” on page 781

Table 27. RPG-defined date formats and separators for Date data type

| Format Name                 | Description                                | Format (Default Separator) | Valid Separators | Length | Example    |
|-----------------------------|--------------------------------------------|----------------------------|------------------|--------|------------|
| <b>2-Digit Year Formats</b> |                                            |                            |                  |        |            |
| *MDY                        | Month/Day/Year                             | mm/dd/yy                   | / - . , '&'      | 8      | 01/15/96   |
| *DMY                        | Day/Month/Year                             | dd/mm/yy                   | / - . , '&'      | 8      | 15/01/96   |
| *YMD                        | Year/Month/Day                             | yy/mm/dd                   | / - . , '&'      | 8      | 96/01/15   |
| *JUL                        | Julian                                     | yy/ddd                     | / - . , '&'      | 6      | 96/015     |
| <b>4-Digit Year Formats</b> |                                            |                            |                  |        |            |
| *ISO                        | International Standards Organization       | yyyy-mm-dd                 | -                | 10     | 1996-01-15 |
| *USA                        | IBM USA Standard                           | mm/dd/yyyy                 | /                | 10     | 01/15/1996 |
| *EUR                        | IBM European Standard                      | dd.mm.yyyy                 | .                | 10     | 15.01.1996 |
| *JIS                        | Japanese Industrial Standard Christian Era | yyyy-mm-dd                 | -                | 10     | 1996-01-15 |

Table 28 lists the \*LOVAL, \*HIVAL, and default values for all the RPG-defined date formats.

Table 28. Date Values

| Format name                 | Description                                | *LOVAL     | *HIVAL     | Default Value |
|-----------------------------|--------------------------------------------|------------|------------|---------------|
| <b>2-Digit Year Formats</b> |                                            |            |            |               |
| *MDY                        | Month/Day/Year                             | 01/01/40   | 12/31/39   | 01/01/40      |
| *DMY                        | Day/Month/Year                             | 01/01/40   | 31/12/39   | 01/01/40      |
| *YMD                        | Year/Month/Day                             | 40/01/01   | 39/12/31   | 40/01/01      |
| *JUL                        | Julian                                     | 40/001     | 39/365     | 40/001        |
| <b>4-Digit Year Formats</b> |                                            |            |            |               |
| *ISO                        | International Standards Organization       | 0001-01-01 | 9999-12-31 | 0001-01-01    |
| *USA                        | IBM USA Standard                           | 01/01/0001 | 12/31/9999 | 01/01/0001    |
| *EUR                        | IBM European Standard                      | 01.01.0001 | 31.12.9999 | 01.01.0001    |
| *JIS                        | Japanese Industrial Standard Christian Era | 0001-01-01 | 9999-12-31 | 0001-01-01    |

Several formats are also supported for fields used by the MOVE, MOVEL, and TEST operations only. This support is provided for compatibility with externally defined values that are already in a 3-digit year format and the 4-digit year \*LONGJUL format. It also applies to the 2-digit year formats when \*JOB RUN is specified.

\*JOBRUN should be used when the field which it is describing is known to have the attributes from the job. For instance, a 12-digit numeric result of a TIME operation will be in the job date format.

Table 29 lists the valid externally defined date formats that can be used in Factor 1 of a MOVE, MOVEL, and TEST operation.

Table 29. Externally defined date formats and separators

| Format Name                                                                                                                                                   | Description                                                  | Format (Default Separator) | Valid Separators | Length | Example   |
|---------------------------------------------------------------------------------------------------------------------------------------------------------------|--------------------------------------------------------------|----------------------------|------------------|--------|-----------|
| <b>2-Digit Year Formats</b>                                                                                                                                   |                                                              |                            |                  |        |           |
| *JOBRUN <sup>1</sup>                                                                                                                                          | Determined at runtime from the DATFMT, or DATSEP job values. |                            |                  |        |           |
| <b>3-Digit Year Formats<sup>2</sup></b>                                                                                                                       |                                                              |                            |                  |        |           |
| *CYMD                                                                                                                                                         | Century<br>Year/Month/Day                                    | cyy/mm/dd                  | / - . , '&'      | 9      | 101/04/25 |
| *CMDY                                                                                                                                                         | Century<br>Month/Day/Year                                    | cmm/dd/yy                  | / - . , '&'      | 9      | 104/25/01 |
| *CDMY                                                                                                                                                         | Century<br>Day/Month/Year                                    | cdd/mm/yy                  | / - . , '&'      | 9      | 125/04/01 |
| <b>4-Digit Year Formats</b>                                                                                                                                   |                                                              |                            |                  |        |           |
| *LONGJUL                                                                                                                                                      | Long Julian                                                  | yyyy/ddd                   | / - . , '&'      | 8      | 2001/115  |
| <b>Notes:</b>                                                                                                                                                 |                                                              |                            |                  |        |           |
| 1. *JOBRUN is valid only for character or numeric dates with a 2-digit year since the run-time job attribute for DATFMT can only be *MDY, *YMD, *DMY or *JUL. |                                                              |                            |                  |        |           |
| 2. Valid values for the century character 'c' are:                                                                                                            |                                                              |                            |                  |        |           |
|                                                                                                                                                               | 'c'                                                          | Years                      |                  |        |           |
|                                                                                                                                                               | -----                                                        |                            |                  |        |           |
|                                                                                                                                                               | 0                                                            | 1900-1999                  |                  |        |           |
|                                                                                                                                                               | 1                                                            | 2000-2099                  |                  |        |           |
|                                                                                                                                                               | .                                                            | .                          |                  |        |           |
|                                                                                                                                                               | .                                                            | .                          |                  |        |           |
|                                                                                                                                                               | .                                                            | .                          |                  |        |           |
|                                                                                                                                                               | 9                                                            | 2800-2899                  |                  |        |           |

## Separators

When coding a date format on a MOVE, MOVEL or TEST operation, separators are optional for character fields. To indicate that there are no separators, specify the format followed by a zero. For more information on how to code date formats without separators see "MOVE (Move)" on page 676, "MOVEL (Move Left)" on page 697 and "TEST (Test Date/Time/Timestamp)" on page 781.

## Initialization

To initialize the Date field to the system date at runtime, specify INZ(\*SYS) on the definition specification. To initialize the Date field to the job date at runtime, specify INZ(\*JOB) on the definition specification. \*SYS or \*JOB cannot be used with a field that is exported. The Date field can also be initialized to a literal, named constant or figurative constant.

**Note:** Runtime initialization takes place after static initialization.

## Time Data Type

Time fields have a predetermined size and format. They can be defined on the definition specification. Leading and trailing zeros are required for all time data.

Time constants or variables used in comparisons or assignments do not have to be in the same format or use the same separators. Also, times used for I/O operations such as input fields, output fields or key fields are also converted (if required) to the necessary format for the operation.

The default internal format for time variables is \*ISO. This default internal format can be overridden globally by the control specification keyword TIMFMT and individually by the definition specification keyword TIMFMT.

The hierarchy used when determining the internal time format and separator for a time field is

1. From the TIMFMT keyword specified on the definition specification
2. From the TIMFMT keyword specified on the control specification
3. \*ISO

For examples on how to code time fields, see the examples in:

- “Date Operations” on page 412
- “Moving Date-Time Data” on page 424
- “ADDDUR (Add Duration)” on page 566
- “MOVE (Move)” on page 676
- “SUBDUR (Subtract Duration)” on page 774
- “TEST (Test Date/Time/Timestamp)” on page 781

Table 30 shows the time formats supported and their separators.

Table 30. Time formats and separators for Time data type

| RPG Format Name | Description                                                         | Format (Default Separator) | Valid Separators | Length | Example  |
|-----------------|---------------------------------------------------------------------|----------------------------|------------------|--------|----------|
| *HMS            | Hours:Minutes:Seconds                                               | hh:mm:ss                   | : , &            | 8      | 14:00:00 |
| *ISO            | International Standards Organization                                | hh.mm.ss                   | .                | 8      | 14.00.00 |
| *USA            | IBM USA Standard. AM and PM can be any mix of upper and lower case. | hh:mm AM or hh:mm PM       | :                | 8      | 02:00 PM |
| *EUR            | IBM European Standard                                               | hh.mm.ss                   | .                | 8      | 14.00.00 |
| *JIS            | Japanese Industrial Standard Christian Era                          | hh:mm:ss                   | :                | 8      | 14:00:00 |

Table 31 lists the \*LOVAL, \*HIVAL, and default values for all the time formats.

Table 31. Time Values

| RPG Format Name | Description                                                         | *LOVAL   | *HIVAL   | Default Value |
|-----------------|---------------------------------------------------------------------|----------|----------|---------------|
| *HMS            | Hours:Minutes:Seconds                                               | 00:00:00 | 24:00:00 | 00:00:00      |
| *ISO            | International Standards Organization                                | 00.00.00 | 24.00.00 | 00.00.00      |
| *USA            | IBM USA Standard. AM and PM can be any mix of upper and lower case. | 00:00 AM | 12:00 AM | 00:00 AM      |

Table 31. Time Values (continued)

| RPG Format Name | Description                                | *LOVAL   | *HIVAL   | Default Value |
|-----------------|--------------------------------------------|----------|----------|---------------|
| *EUR            | IBM European Standard                      | 00.00.00 | 24.00.00 | 00.00.00      |
| *JIS            | Japanese Industrial Standard Christian Era | 00:00:00 | 24:00:00 | 00:00:00      |

## Separators

When coding a time format on a MOVE, MOVEL or TEST operation, separators are optional for character fields. To indicate that there are no separators, specify the format followed by a zero. For more information on how to code time formats without separators see “MOVE (Move)” on page 676.

## Initialization

To initialize the Time field to the system time at runtime, specify INZ(\*SYS) on the definition specification. \*SYS cannot be used with a field that is exported. The Time field can also be initialized at runtime to a literal, named constant or figurative constant.

**Note:** Runtime initialization takes place after static initialization.

## \*JOB RUN

A special value of \*JOB RUN can be used in Factor 1 of a MOVE, MOVEL or TEST operation. This indicates that the separator of the field being described is based on the run-time job attributes, TIMSEP.

---

## Timestamp Data Type

Timestamp fields have a predetermined size and format. They can be defined on the definition specification. Timestamp data must be in the format

yyyy-mm-dd-hh.mm.ss.mmmmmm (length 26).

Microseconds (.mmmmmm) are optional for timestamp literals and if not provided will be padded on the right with zeros. Leading zeros are required for all timestamp data.

The default initialization value for a timestamp is midnight of January 1, 0001 (0001-01-01-00.00.00.000000). The \*HIVAL value for a timestamp is 9999-12-31-24.00.00.000000. The \*LOVAL value for timestamp is 0001-01-01-00.00.00.000000.

For examples on how to code timestamp fields, see the examples in

- “Date Operations” on page 412
- “Moving Date-Time Data” on page 424
- “ADDDUR (Add Duration)” on page 566
- “MOVE (Move)” on page 676
- “SUBDUR (Subtract Duration)” on page 774

## Separators

When coding the timestamp format on a MOVE, MOVEL or TEST operation, separators are optional for character fields. To indicate that there are no separators,

## Timestamp Data Type

specify \*ISO0. For an example of how \*ISO is used without separators see “TEST (Test Date/Time/Timestamp)” on page 781.

## Initialization

To initialize the Timestamp field to the system date at runtime, specify INZ(\*SYS) on the definition specification. \*SYS cannot be used with a field that is exported. The Timestamp field can also be initialized at runtime to a literal, named constant or figurative constant.

**Note:** Runtime initialization takes place after static initialization.

---

## Object Data Type

The object data type allows you to define a Java object. You specify the object data type as follows:

```
* Variable MyString is a Java String object.
D MyString S 0 CLASS(*JAVA
D : 'java.lang.String')
```

or as follows:

```
D bdcreate PR 0 EXTPROC(*JAVA
D : 'java.math.BigDecimal'
D : *CONSTRUCTOR)
```

In position 40, you specify data type O. In the keyword section, you specify the CLASS keyword to indicate the class of the object. Specify \*JAVA for the environment, and the class name.

If the object is the return type of a Java constructor, the class of the returned object is the same as the class of the method so you do not specify the CLASS keyword. Instead, you specify the EXTPROC keyword with environment \*JAVA, the class name, and procedure name \*CONSTRUCTOR.

An object cannot be based. It also cannot be a subfield of a data structure.

If an object is an array or table, it must be loaded at runtime. Pre-run and compile-time arrays and tables of type Object are not allowed.

Every object is initialized to \*NULL, which means that the object is not associated with an instance of its class.

To change the contents of an object, you must use method calls. You cannot directly access the storage used by the object.

Classes are resolved at runtime. The compiler does not check that a class exists or that it is compatible with other objects.

## Where You Can Specify an Object Field

You can use an object field in the following situations:

### Free-Form Evaluation

You can use the EVAL operation to assign one Object item (field or prototyped procedure) to a field of type Object.

**Free-Form Comparison**

You can compare one object to another object. You can specify any comparison, but only the following comparisons are meaningful:

- Equality or inequality with another object. Two objects are equal only if they represent exactly the same object. Two different objects with the same value are not equal.

If you want to test for equality of the value of two objects, use the Java 'equals' method as follows:

```
D objectEquals PR N EXTPROC(*JAVA
D : 'java.lang.Object'
D : 'equals')
C IF objectEquals (obj1 : obj2)
C ...
C ENDIF
```

- Equality or inequality with \*NULL. An object is equal to \*NULL if it is not associated with a particular instance of its class.

**Free-Form Call Parameter**

You can code an object as a parameter in a call operation if the parameter in the prototype is an object.

**Notes:**

1. Objects are not valid as input or output fields.
2. Assignment validity is not checked. For example, RPG would allow you to assign an object of class Number to an object variable defined with class String. If this was not correct, a Java error would occur when you tried to use the String variable.

```
D Obj S 0 CLASS(*JAVA
D : 'java.lang.Object')
D Str S 0 CLASS(*JAVA
D : 'java.lang.String')
D Num S 0 CLASS(*JAVA
D : 'java.math.BigDecimal')
```

\* Since all Java classes are subclasses of class 'java.lang.Object',  
 \* any object can be assigned to a variable of this class.  
 \* The following two assignments are valid.

```
C EVAL Obj = Str
C EVAL Obj = Num
```

\* However, it would probably not be valid to assign Str to Num.

Figure 92. Object Data Type Example

**Basing Pointer Data Type**

Basing pointers are used to locate the storage for based variables. The storage is accessed by defining a field, array, or data structure as based on a particular basing pointer variable and setting the basing pointer variable to point to the required storage location.

For example, consider the based variable MY\_FIELD, a character field of length 5, which is based on the pointer PTR1. The based variable does not have a fixed location in storage. You must use a pointer to indicate the current location of the storage for the variable.

## Basing Pointer Data Type

Suppose that the following is the layout of some area of storage:  
If we set pointer PTR1 to point to the G,

```

| A | B | C | D | E | F | G | H | I | J | K | L | M | N | O |

```

MY\_FIELD is now located in storage starting at the 'G', so its value is 'GHIJK'. If

```
PTR1-----
 |
 V
```

```

| A | B | C | D | E | F | G | H | I | J | K | L | M | N | O |

```

the pointer is moved to point to the 'J', the value of MY\_FIELD becomes 'JKLMN':

If MY\_FIELD is now changed by an EVAL statement to 'HELLO', the storage

```
PTR1-----
 |
 V
```

```

| A | B | C | D | E | F | G | H | I | J | K | L | M | N | O |

```

starting at the 'J' would change:

```
PTR1-----
 |
 V
```

```

| A | B | C | D | E | F | G | H | I | H | E | L | L | O | O |

```

Use the BASED keyword on the definition specification (see "BASED(basing\_pointer\_name)" on page 299) to define a basing pointer for a field. Basing pointers have the same scope as the based field.

The length of the basing pointer field must be 16 bytes long and must be aligned on a 16 byte boundary. This requirement for boundary alignment can cause a pointer subfield of a data structure not to follow the preceding field directly, and can cause multiple occurrence data structures to have non-contiguous occurrences. For more information on the alignment of subfields, see "Aligning Data Structure Subfields" on page 131.

The default initialization value for basing pointers is \*NULL.

**Note:** When coding basing pointers, you must be sure that you set the pointer to storage that is large enough and of the correct type for the based field. Figure 97 on page 208 shows some examples of how *not* to code basing pointers.

**Note:** You can add or subtract an offset from a pointer in an expression, for example EVAL ptr = ptr + offset. When doing pointer arithmetic be aware that it is your responsibility to ensure that you are still pointing within the storage of the item you are pointing to. In most cases no exception will be issued if you point before or after the item.

When subtracting two pointers to determine the offset between them, the pointers must be pointing to the same space, or the same type of storage. For example, you can subtract two pointers in static storage, or two pointers in automatic storage, or two pointers within the same user space.



# **Note:** When a data structure contains a pointer, and the data structure is copied to  
# a character field, or to another data structure that does not have a pointer  
# subfield defined, the pointer information may be lost in the copied value.  
# The actual 16-byte value of the pointer will be copied, but there is extra  
# information in the system that indicates that the 16-byte area contains a  
# pointer; that extra information may not be set in the copied value.

# If the copied value is copied back to the original value, the pointer may be  
# lost in the original value.

# Passing a data structure containing pointers as a prototyped parameter by  
# read-only reference (CONST keyword) or by value (VALUE keyword) may  
# lose pointer information in the received parameter, if the parameter is  
# prototyped as a character value rather than using the LIKEDS keyword. A  
# similar problem can occur when returning a data structure containing a  
# pointer.

### Setting a Basing Pointer

You set or change the location of the based variable by setting or changing the basing pointer in one of the following ways:

- Initializing with INZ(%ADDR(FLD)) where FLD is a non-based variable
- Assigning the pointer to the result of %ADDR(X) where X is any variable
- Assigning the pointer to the value of another pointer
- Using ALLOC or REALLOC (see “ALLOC (Allocate Storage)” on page 568, “REALLOC (Reallocate Storage with New Length)” on page 741, and the *WebSphere Development Studio: ILE RPG Programmer’s Guide* for examples)
- Moving the pointer forward or backward in storage using pointer arithmetic:

```
EVAL PTR = PTR + offset
```

("offset" is the distance in bytes that the pointer is moved)

### Examples

```

*.. 1 ...+... 2 ...+... 3 ...+... 4 ...+... 5 ...+... 6 ...+... 7 ...+... 8
DName+++++ETDsFrom+++To/L+++IDc.Keywords+++++
*
* Define a based data structure, array and field.
* If PTR1 is not defined, it will be implicitly defined
* by the compiler.
*
* Note that before these based fields or structures can be used,
* the basing pointer must be set to point to the correct storage
* location.
*
D DSbased DS BASED(PTR1)
D Field1 1 16A
D Field2 2
D
D ARRAY S 20A DIM(12) BASED(PTR2)
D
D Temp_fld S * BASED(PTR3)
D
D PTR2 S * INZ
D PTR3 S * INZ(*NULL)

```

Figure 93. Defining based structures and fields

The following shows how you can add and subtract offsets from pointers and also determine the difference in offsets between two pointers.

```

*.. 1 ...+... 2 ...+... 3 ...+... 4 ...+... 5 ...+... 6 ...+... 7 ...+... 8
DName+++++ETDsFrom+++To/L+++IDc.Keywords+++++
D.....Keywords+++++
*
D P1 S *
D P2 S *
CL0N01Factor1+++++Opcode(E)+Factor2+++++Result+++++Len++D+HiLoEq....
CL0N01+++++Opcode(E)+Extended Factor 2+++++
*
* Allocate 20 bytes of storage for pointer P1.
C ALLOC 20 P1
* Initialize the storage to 'abcdefghij'
C EVAL %STR(P1:20) = 'abcdefghij'
* Set P2 to point to the 9th byte of this storage.
C EVAL P2 = P1 + 8
* Show that P2 is pointing at 'i'. %STR returns the data that
* the pointer is pointing to up to but not including the first
* null-terminator x'00' that it finds, but it only searches for
* the given length, which is 1 in this case.
C EVAL Result = %STR(P2:1)
C DSPLY Result 1
* Set P2 to point to the previous byte
C EVAL P2 = P2 - 1
* Show that P2 is pointing at 'h'
C EVAL Result = %STR(P2:1)
C DSPLY Result
* Find out how far P1 and P2 are apart. (7 bytes)
C EVAL Diff = P2 - P1
C DSPLY Diff 5 0
* Free P1's storage
C DEALLOC P1
C RETURN

```

Figure 94. Pointer Arithmetic

Figure 95 shows how to obtain the number of days in Julian format, if the Julian date is required.

```

*..1....+...2....+...3....+...4....+...5....+...6....+...7....+...
HKeywords+++++
H DATFMT(*JUL)
DName+++++ETDsFrom+++To/L+++IDc.Keywords+++++
D.....Keywords+++++
*
D JulDate S D INZ(D'95/177')
D DATFMT(*JUL)
D JulDS DS BASED(Ju1PTR)
D Jul_yy 2 0
D Jul_sep 1
D Jul_ddd 3 0
D JulDay S 3 0
CL0N01Factor1+++++Opcode(E)+Factor2+++++Result+++++Len++D+HiLoEq....
CL0N01+++++Opcode(E)+Extended Factor 2+++++
*
* Set the basing pointer for the structure overlaying the
* Julian date.
C EVAL Ju1PTR = %ADDR(JulDate)
* Extract the day portion of the Julian date
C EVAL Ju1Day = Jul_ddd

```

Figure 95. Obtaining a Julian Date

## Basing Pointer Data Type

Figure 96 illustrates the use of pointers, based structures and system APIs. This program does the following:

1. Receives the Library and File name you wish to process
2. Creates a User space using the QUSCRTUS API
3. Calls an API (QUSLMBR) to list the members in the requested file
4. Gets a pointer to the User space using the QUSPTRUS API
5. Displays a message with the number of members and the name of the first and last member in the file

```

*.. 1 ...+... 2 ...+... 3 ...+... 4 ...+... 5 ...+... 6 ...+... 7 ...+... 8
DName+++++ETDsFrom+++To/L+++IDc.Keywords+++++
D.....Keywords+++++
*
D SPACENAME DS
D 10 INZ('LISTSPACE')
D 10 INZ('QTEMP')
D ATTRIBUTE S 10 INZ('LSTMBR')
D INIT_SIZE S 9B 0 INZ(9999999)
D AUTHORITY S 10 INZ('*CHANGE')
D TEXT S 50 INZ('File member space')
D SPACE DS
D SP1 32767
*
* ARR is used with OFFSET to access the beginning of the
* member information in SP1
*
D ARR 1 OVERLAY(SP1) DIM(32767)
*
* OFFSET is pointing to start of the member information in SP1
*
D OFFSET 9B 0 OVERLAY(SP1:125)
*
* Size has number of member names retrieved
*
D SIZE 9B 0 OVERLAY(SP1:133)
D MBRPTR S *
D MBRARR S 10 BASED(MBRPTR) DIM(32767)
D PTR S *
D FILE_LIB S 20
D FILE S 10
D LIB S 10
D WHICHMBR S 10 INZ('*ALL ')
D OVERRIDE S 1 INZ('1')
D FIRST_LAST S 50 INZ(' MEMBERS, +
D FIRST = , +
D LAST = ')
D IGNERR DS
D 9B 0 INZ(15)
D 9B 0
D 7A

```

Figure 96. Example of using pointers and based structures with an API (Part 1 of 2)

```

*.. 1 ...+... 2 ...+... 3 ...+... 4 ...+... 5 ...+... 6 ...+... 7 ...+... 8
CL0N01Factor1+++++Opcode(E)+Factor2+++++Result+++++Len++D+HiLoEq....
CL0N01+++++Opcode(E)+Extended Factor 2+++++
*
* Receive file and library you want to process
*
C *ENTRY PLIST
C FILE PARM FILEPARM 10
C LIB PARM LIBPARM 10
*
* Delete the user space if it exists
*
C CALL 'QUSDLTUS' 10
C PARM
C PARM SPACENAME
C PARM IGNERR
*
* Create the user space
*
C CALL 'QUSCRTUS'
C PARM
C PARM SPACENAME
C PARM ATTRIBUTE
C PARM INIT_SIZE
C PARM INIT_VALUE 1
C PARM AUTHORITY
C PARM TEXT
*
* Call the API to list the members in the requested file
*
C CALL 'QUSLMBR'
C PARM
C PARM 'MBRL0100' SPACENAME
C PARM MBR_LIST 8
C PARM FILE_LIB
C PARM WHICHMBR
C PARM OVERRIDE
*
* Get a pointer to the user-space
*
C CALL 'QUSPTRUS'
C PARM
C PARM SPACENAME
C PARM PTR
*
* Set the basing pointer for the member array
* MBRARR now overlays ARR starting at the beginning of
* the member information.
*
C EVAL MBRPTR = %ADDR(ARR(OFFSET))
C MOVE SIZE CHARSIZE 3
C EVAL %SUBST(FIRST_LAST:1:3) = CHARSIZE
C EVAL %SUBST(FIRST_LAST:23:10) = MBRARR(1)
C EVAL %SUBST(FIRST_LAST:41:10) = MBRARR(SIZE)
C FIRST_LAST DSPLY
C EVAL *INLR = '1'

```

Figure 96. Example of using pointers and based structures with an API (Part 2 of 2)

When coding basing pointers, make sure that the pointer is set to storage that is large enough and of the correct type for the based field. Figure 97 on page 208 shows some examples of how *not* to code basing pointers.

## Procedure Pointer Data Type

```
*.. 1 ...+... 2 ...+... 3 ...+... 4 ...+... 5 ...+... 6 ...+... 7 ...+...
8
DName+++++ETDsFrom+++To/L+++IDc.Keywords+++++
D.....Keywords+++++
*
D chr10 S 10a based(ptr1)
D char100 S 100a based(ptr1)
D p1 S 5p 0 based(ptr1)
CLON01Factor1+++++Opcode(E)+Factor2+++++Result+++++Len++D+HiLoEq....
CLON01+++++Opcode(E)+Extended Factor 2+++++
*
*
* Set ptr1 to the address of p1, a numeric field
* Set chr10 (which is based on ptr1) to 'abc'
* The data written to p1 will be unreliable because of the data
* type incompatibility.
*
C EVAL ptr1 = %addr(p1)
C EVAL chr10 = 'abc'
*
* Set ptr1 to the address of chr10, a 10-byte field.
* Set chr100, a 100-byte field, all to 'x'
* 10 bytes are written to chr10, and 90 bytes are written in other
* storage, the location being unknown.
*
C EVAL ptr1 = %addr(chr10)
C EVAL chr100 = *all'x'
```

Figure 97. How Not to Code Basing Pointers

## Procedure Pointer Data Type

Procedure pointers are used to point to procedures or functions. A procedure pointer points to an entry point that is bound into the program. Procedure pointers are defined on the definition specification.

The length of the procedure pointer field must be 16 bytes long and must be aligned on a 16 byte boundary. This requirement for boundary alignment can cause a pointer subfield of a data structure not to follow the preceding field directly, and can cause multiple occurrence data structures to have non-contiguous occurrences. For more information on the alignment of subfields, see “Aligning Data Structure Subfields” on page 131.

The default initialization value for procedure pointers is \*NULL.

### Examples

```

*.. 1 ...+... 2 ...+... 3 ...+... 4 ...+... 5 ...+... 6 ...+... 7 ...+... 8
DName+++++ETDsFrom+++To/L+++IDc.Keywords+++++
*
* Define a basing pointer field and initialize to the address of the
* data structure My_Struct.
*
D My_Struct DS
D My_array 10 DIM(50)
D
D Ptr1 S 16* INZ(%ADDR(My_Struct))
*
* Or equivalently, defaults to length 16 if length not defined
*
D Ptr1 S * INZ(%ADDR(My_Struct))
*
* Define a procedure pointer field and initialize to NULL
*
D Ptr1 S 16* PROCPTR INZ(*NULL)
*
* Define a procedure pointer field and initialize to the address
* of the procedure My_Proc.
*
D Ptr1 S 16* PROCPTR INZ(%PADDR(My_Proc))
*
* Define pointers in a multiple occurrence data structure and map out
* the storage.
*
DDataS DS OCCURS(2)
D ptr1 *
D ptr2 *
D Switch 1A

```

\*
\* Storage map would be:
\*
\*
\*
\* **DataS**
\*
\*
\*
\*
\*
\*
\*
\*
\*
\*
\*
\*
\*
\*
\*

|        |          |
|--------|----------|
| ptr1   | 16 bytes |
| ptr2   | 16 bytes |
| Switch | 1 byte   |
| Pad    | 15 bytes |
| ptr1   | 16 bytes |
| ptr2   | 16 bytes |
| Switch | 1 byte   |

Figure 98. Defining pointers

Database Null Value Support

In an ILE RPG program, you can select one of three different ways of handling null-capable fields from an externally described database file. This depends on how the ALWNULL keyword on a control specification is used (ALWNULL can also be specified as a command parameter):

## Database Null Value Support

1. ALWNULL(\*USRCTL) - read, write, update, and delete records with null values and retrieve and position-to records with null keys.
2. ALWNULL(\*INPUTONLY) - read records with null values to access the data in the null fields
3. ALWNULL(\*NO) - do not process records with null values

**Note:** For a program-described file, a null value in the record always causes a data mapping error, regardless of the value specified on the ALWNULL keyword.

## User Controlled Support for Null-Capable Fields and Key Fields

When an externally described file contains null-capable fields and the ALWNULL(\*USRCTL) keyword is specified on a control specification, you can do the following:

- Read, write, update, and delete records with null values from externally described database files.
- Retrieve and position-to records with null keys using keyed operations, by specifying an indicator in factor 2 of the KFLD associated with the field.
- Determine whether a null-capable field is actually null using the %NULLIND built-in function on the right-hand-side of an expression.
- Set a null-capable field to be null for output or update using the %NULLIND built-in function on the left-hand-side of an expression.

You are responsible for ensuring that fields containing null values are used correctly within the program. For example, if you use a null-capable field as factor 2 of a MOVE operation, you should first check if it is null before you do the MOVE, otherwise you may corrupt your result field value. You should also be careful when outputting a null-capable field to a file that does not have the field defined as null-capable, for example a WORKSTN or PRINTER file, or a program-described file.

**Note:** The value of the null indicator for a null-capable field is only considered for these operations: input, output and file-positioning. Here are some examples of operations where the the null indicator is not taken into consideration:

- DSPLY of a null-capable field shows the contents of the field even if the null indicator is on.
- If you move a null-capable field to another null-capable field, and the factor 2 field has the null indicator on, the the result field will get the data from the factor 2 field. The corresponding null indicator for the result field will not be set on.
- Comparison operations, including SORTA and LOOKUP, with null capable fields do not consider the null indicators.

A field is considered null-capable if it is null-capable in any externally described database record and is not defined as a constant in the program.

When a field is considered null-capable in an RPG program, a null indicator is associated with the field. Note the following:

- If the field is a multiple-occurrence data structure or a table, an array of null indicators will be associated with the field. Each null indicator corresponds to an occurrence of the data structure or element of the table.



- If the field is an array element, the entire array will be considered null-capable. An array of null indicators will be associated with the array, each null indicator corresponds to an array element.
- If the field is an element of an array subfield of a multiple-occurrence data structure, an array of null indicators will be associated with the array for each occurrence of the data structure.

Null indicators are initialized to zeros during program initialization and thus null-capable fields do not contain null values when the program starts execution.

#  
#  
#  
#  
#  
#  
#  
#

### Null-capable fields in externally-described data structures

If the file used for an externally described data structure has null-capable fields defined, the matching RPG subfields are defined to be null-capable. Similarly, if a record format has null-capable fields, a data structure defined with LIKERECD will have null-capable subfields. When a data structure has null-capable subfields, another data structure defined like that data structure using LIKEDS will also have null-capable subfields. However, using the LIKE keyword to define one field like another null-capable field does not cause the new field to be null-capable.

### Input of Null-Capable Fields

For a field that is null-capable in the RPG program, the following will apply on input, for DISK, SEQ, WORKSTN and SPECIAL files:

- When a null-capable field is read from an externally described file, the null indicator for the field is set on if the field is null in the record. Otherwise, the null indicator is set off.
- If field indicators are specified and the null-capable field is null, all the field indicators will be set off.
- If a field is defined as null-capable in one file, and not null-capable in another, then the field will be considered null-capable in the RPG program. However, when you read the second file, the null indicator associated with the field will always be set off.
- An input operation from a program-described file using a data structure in the result field does not affect the null indicator associated with the data structure or any of its subfields.
- Reading null-capable fields using input specifications for program-described files always sets off the associated null indicators.
- If null-capable fields are not selected to be read due to a field-record-relation indicator, the associated null indicator will not be changed.
- When a record format or file with null-capable fields is used on an input operation (READ, READP, READE, READPE, CHAIN) and a data structure is coded in the result field, the values of %NULLIND for null-capable data structure subfields will be changed by the operation. The values of %NULLIND will not be set for the input fields for the file, unless the input fields happen to be the subfields used in the input operation.

#  
#  
#  
#  
#  
#

Null-capable fields cannot be used as match fields or control-level fields.

### Output of Null-Capable Fields

When a null-capable field is written (output or update) to an externally described file, a null value is written out if the null indicator for the field is on at the time of the operation.

## Database Null Value Support

When a null-capable field is output to or updated in an externally described database file, then if the field is null, the value placed in the buffer will be ignored by data management.

**Note:** Fields that have the null indicator on at the time of output have the data moved to the buffer. This means that errors such as decimal-data error, or basing pointer not set, will occur even if the null indicator for the field is on.

During an output operation to an externally described database file, if the file contains fields that are considered null-capable in the program but not null-capable in the file, the null indicators associated with those null-capable fields will not be used.

# When a record format with null-capable fields is used on a WRITE or UPDATE  
# operation, and a data structure is coded in the result field, the null attributes of the  
# data structure subfields will be used to set the null-byte-map for the output or  
# update record.

# When a record format with null-capable fields is used on an UPDATE operation  
# with %FIELDS, then the null-byte-map information will be taken from the null  
# attributes of the specified fields.

Figure 99 on page 213 shows how to read, write and update records with null values when the ALWNULL(\*USRCTL) option is used.

```

*..1....+....2....+....3....+....4....+....5....+....6....+....7....+....
*
*
* Specify the ALWNULL(*USRCTL) keyword on a control
* specification or compile the ILE RPG program with ALWNULL(*USRCTL)
* on the command.
*
HKeywords+++++
*H ALWNULL(*USRCTL)
*
* DISKFILE contains a record REC which has 2 fields: FLD1 and FLD2
* Both FLD1 and FLD2 are null-capable.
*
FDISKFILE UF A E DISK
*
* Read the first record.
* Update the record with new values for any fields which are not
* null.
C READ REC 10
C IF NOT %NULLIND(FLD1)
C MOVE 'FLD1' Fld1
C ENDIF
C IF NOT %NULLIND(FLD2)
C MOVE 'FLD2' Fld2
C ENDIF
C UPDATE REC
*
* Read another record.
* Update the record so that all fields are null.
* There is no need to set the values of the fields because they
* would be ignored.
C READ REC 10
C EVAL %NULLIND(FLD1) = *ON
C EVAL %NULLIND(FLD2) = *ON
C UPDATE REC
*
* Write a new record where Fld 1 is null and Fld 2 is not null.
*
C EVAL %NULLIND(FLD1) = *ON
C EVAL %NULLIND(FLD2) = *OFF
C EVAL Fld2 = 'New value'
C WRITE REC

```

Figure 99. Input and output of null-capable fields

## Keyed Operations

If you have a null-capable key field, you can search for records containing null values by specifying an indicator in factor 2 of the KFLD operation and setting that indicator on before the keyed input operation. If you do not want a null key to be selected, you set the indicator off.

#  
#  
#  
#

When a record format with null-capable key fields is used on a CHAIN, SETLL, READE, or READPE operation, and a %KDS data structure is used to specify the keys, then the null-key-byte-map information will be taken from the null attributes of the subfields in the data structure specified as the argument of %KDS.

#  
#  
#  
#

When a record format with null-capable key fields is used on a CHAIN, SETLL, READE, or READPE operation, and a list of keyfields is used, then the null-key-byte-map information will be taken from the null attributes of the specified keys.

## Database Null Value Support

Figure 100 and Figure 101 on page 215 illustrate how keyed operations are used to position and retrieve records with null keys.

```
// Assume File1 below contains a record Rec1 with a composite key
// made up of three key fields: Key1, Key2, and Key3. Key2 and Key3
// are null-capable. Key1 is not null-capable.
// Each key field is two characters long.
*.1....+....2....+....3....+....4....+....5....+....6....+....7....+..
FFilename++IPEASFRlen+LKlen+AIDevice+.Keywords+++++++
File1 IF E DISK
// Define two data structures with the keys for the file
// Subfields Key2 and Key3 of both data structures will be
// null-capable.
DName+++++++ETDsFrom+++To/L+++IDc.Keywords+++++++
D Keys DS LIKERE(Rec1 : *KEY)
D OtherKeys DS LIKEDS(keys)
// Define a data structure with the input fields of the file
// Subfields Key2 and Key3 of the data structures will be
// null-capable.
D File1Flds DS LIKERE(Rec1 : *INPUT)
/free
// The null indicator for Keys.Key2 is ON and the
// null indicator for Keys.Key3 is OFF, for the
// SETLL operation below. File1 will be positioned
// at the next record that has a key that is equal
// to or greater than 'AA??CC' (where ?? is used
// in this example to indicate NULL)
#
// Because %NULLIND(Keys.Key2) is ON, the actual content
// in the search argument Keys.Key2 will be ignored.
#
// If a record exists in File1 with 'AA' in Key1, a null
// Key2, and 'CC' in Key3, %EQUAL(File1) will be true.
#
Keys.Key1 = 'AA';
Keys.Key3 = 'CC';
%NULLIND(Keys.Key2) = *ON;
%NULLIND(Keys.Key3) = *OFF;
SETLL %KDS(Keys) Rec1;
// The CHAIN operation below will retrieve a record
// with 'JJ' in Key1, 'KK' in Key2, and a null Key3.
// Since %NULLIND(OtherKeys.Key3) is ON, the value of
// 'XX' in OtherKeys.Key3 will not be used. This means
// that if File1 actually has a record with a key
// 'JJKXX', that record will not be retrieved.
#
OtherKeys.Key3 = 'XX';
%NULLIND(Keys.Key3) = *ON;
CHAIN ('JJ' : 'KK' : OtherKeys.Key3) Rec1;
// The CHAIN operation below uses a partial key as the
// search argument. It will retrieve a record with 'NN'
// in Key1, a null key2, and any value including a null
// value in Key3. The record is retrieved into the
// File1Flds data structure, which will cause the
// null flags for File1Flds.Key2 and File1Flds.Key3
// to be changed by the operation (if the CHAIN
// finds a record).
#
Keys.Key1 = 'NN';
%NULLIND(Keys.Key2) = *ON;
CHAIN %KDS(Keys : 2) Rec1 File1Flds;
#
#
#
#
#
#
#
#
#
#
#
```

Figure 100. Example of handling null-capable key fields

```

* Using the same file as the previous example, define two
* key lists, one containing three keys and one containing
* two keys.
CL0N01Factor1++++++0pcode(E)+Factor2++++++Result++++++Len++D+HiLoEq.
C Full_K1 KLIST
C KFLD Key1
C KFLD *IN02 Key2
C KFLD *IN03 Key3
C Partial_K1 KLIST
C KFLD Key1
C KFLD *IN05 Key2
*
* *IN02 is ON and *IN03 is OFF for the SETLL operation below.
* File1 will be positioned at the next record that has a key
* that is equal to or greater than 'AA??CC' (where ?? is used
* in this example to indicate NULL)
*
* Because *IN02 is ON, the actual content in the search argument
* for Key2 will be ignored.
*
* If a record exists in File1 with 'AA' in Key1, a null Key2, and
* 'CC' in Key3, indicator 90 (the Eq indicator) will be set ON.
*
C MOVE 'AA' Key1
C MOVE 'CC' Key3
C EVAL *IN02 = '1'
C EVAL *IN03 = '0'
C Full_K1 SETLL Rec1

```

Figure 101. Example of handling null key fields with KLIST (Part 1 of 2)

## Database Null Value Support

```
*
* The CHAIN operation below will retrieve a record with 'JJ' in Key1,
* 'KK' in Key2, and a null Key3. Again, because *IN03 is ON, even
* if the programmer had moved some value (say 'XX') into the search
* argument for Key3, 'XX' will not be used. This means if File1
* actually has a record with a key 'JJKKXX', that record will not
* be retrieved.
*
C MOVE 'JJ' Key1
C MOVE 'KK' Key2
C EVAL *IN02 = '0'
C EVAL *IN03 = '1'
C Full_K1 CHAIN Rec1 80
*
* The CHAIN operation below uses a partial key as the search argument.
* It will retrieve a record with 'NN' in Key1, a null key2, and any
* value including a null value in Key3.
*
* In the database, the NULL value occupies the highest position in
* the collating sequence. Assume the keys in File1 are in ascending
* sequence. If File1 has a record with 'NN??xx' as key (where ??
* means NULL and xx means any value other than NULL), that record
* will be retrieved. If such a record does not exist in File1, but
* File1 has a record with 'NN????' as key, the 'NN????' record will
* be retrieved. The null flags for Key2 and Key3 will be set ON
* as a result.
*
C MOVE 'NN' Key1
C SETON
C Partial_K1 CHAIN Rec1 70
```

Figure 101. Example of handling null key fields with KLIST (Part 2 of 2)

## Input-Only Support for Null-Capable Fields

When an externally described input-only file contains null-capable fields and the ALWNULL(\*INPUTONLY) keyword is specified on a control specification, the following conditions apply:

- When a record is retrieved from a database file and there are some fields containing null values in the record, database default values for the null-capable fields will be placed into those fields containing null values. The default value will be the user defined DDS defaults or system defaults.
- You will not be able to determine whether any given field in the record has a null value.
- Control-level indicators, match-field entries and field indicators are not allowed on an input specification if the input field is a null-capable field from an externally described input-only file.
- Keyed operations are not allowed when factor 1 of a keyed input calculation operation corresponds to a null-capable key field in an externally described input-only file.

**Note:** The same conditions apply for \*INPUTONLY or \*YES when specified on the ALWNULL command parameter.

## ALWNULL(\*NO)

When an externally described file contains null-capable fields and the ALWNULL(\*NO) keyword is specified on a control specification, the following conditions apply:

- A record containing null values retrieved from a file will cause a data mapping error and an error message will be issued.
- Data in the record is not accessible and none of the fields in the record can be updated with the values from the input record containing null values.
- With this option, you cannot place null values in null-capable fields for updating or adding a record. If you want to place null values in null-capable fields, use the ALWNULL(\*USRCTL) option.

---

## Error Handling for Database Data Mapping Errors

For any input or output operation, a data mapping error will cause a severe error message to be issued. For blocked output, if one or more of the records in the block contains data mapping errors and the file is closed before reaching the end of the block, a severe error message is issued and a system dump is created.

## Error Handling for Database Data Mapping Errors



---

## Chapter 11. Editing Numeric Fields

Editing provides a means of:

- Punctuating numeric fields, including the printing of currency symbols, commas, periods, minus sign, and floating minus
- Moving a field sign from the rightmost digit to the end of the field
- Blanking zero fields
- Managing spacing in arrays
- Editing numeric values containing dates
- Floating a currency symbol
- Filling a print field with asterisks

This chapter applies only to non-float numeric fields. To output float fields in the external display representation, specify blank in position 52 of the output specification. To obtain the external display representation of a float value in calculations, use the %EDITFLT built-in function.

A field can be edited by edit codes, or edit words. You can print fields in edited format using output specifications or you can obtain the edited value of the field in calculation specifications using the built-in functions %EDITC (edit code) and %EDITW (edit word).

When you print fields that are not edited, the fields are printed as follows:

- Float fields are printed in the external display representation.
- Other numeric fields are printed in zoned numeric representation.

The following examples show why you may want to edit numeric output fields.

| Type of Field      | Field in the Computer | Printing of Unedited Field | Printing of Edited Field |
|--------------------|-----------------------|----------------------------|--------------------------|
| Alphanumeric       | JOHN T SMITH          | JOHN T SMITH               | JOHN T SMITH             |
| Numeric (positive) | 0047652               | 0047652                    | 47652                    |
| Numeric (negative) | 004765K               | 004765K                    | 47652-                   |

The unedited alphanumeric field and the unedited positive numeric field are easy to read when printed, but the unedited negative numeric field is confusing because it contains a K, which is not numeric. The K is a combination of the digit 2 and the negative sign for the field. They are combined so that one of the positions of the field does not have to be set aside for the sign. The combination is convenient for storing the field in the computer, but it makes the output hard to read. Therefore, to improve the readability of the printed output, numeric fields should be edited before they are printed.

---

## Edit Codes

Edit codes provide a means of editing numeric fields according to a predefined pattern. They are divided into three categories: simple (X, Y, Z), combination (1 through 4, A through D, J through Q), and user-defined (5 through 9). In output specifications, you enter the edit code in position 44 of the field to be edited. In calculation specifications, you specify the edit code as the second parameter of the %EDITC built-in function.

### Simple Edit Codes

You can use simple edit codes to edit numeric fields without having to specify any punctuation. These codes and their functions are:

- The X edit code ensures a hexadecimal F sign for positive fields and a hexadecimal D sign for negative fields. However, because the system does this, you normally do not have to specify this code. Leading zeros are not suppressed. You can use %EDITC with the X edit code to convert a number to character with leading zeros. However, be aware that negative numbers can produce unexpected results; for example, %EDITC(-00123:'X') will give the result '0012L'.
- The Y edit code is normally used to edit a 3- to 9-digit date field. It suppresses the leftmost zeros of date fields, up to but not including the digit preceding the first separator. Slashes are inserted to separate the day, month, and year. The "DATEDIT(fmt{separator})" on page 252 and "DECEDIT(\*JOB RUN | 'value')" on page 253 keywords on the control specification can be used to alter edit formats.

**Note:** The Y edit code is not valid for \*YEAR, \*MONTH, and \*DAY.

- The Z edit code removes the sign (plus or minus) from and suppresses the leading zeros of a numeric field. The decimal point is not placed in the field.

### Combination Edit Codes

The combination edit codes (1 through 4, A through D, J through Q) punctuate a numeric field.

The DECEDIT keyword on the control specification determines what character is used for the decimal separator and whether leading zeros are suppressed. The decimal position of the source field determines whether and where a decimal point is placed. If decimal positions are specified for the source field and the zero balance is to be suppressed, the decimal separator is included *only* if the field is not zero. If a zero balance is to be suppressed, a zero field is output as blanks.

When a zero balance is not to be suppressed and the field is equal to zero, either of the following is output:

- A decimal separator followed by n zeros, where n is the number of decimal places in the field
- A zero in the units position of a field if no decimal places are specified.

You can use a floating currency symbol or asterisk protection with any of the 12 combination edit codes. The floating currency symbol appears to the left of the first significant digit. The floating currency symbol does not print on a zero balance when an edit code is used that suppresses the zero balance. The currency symbol does not appear on a zero balance when an edit code is used that suppresses the zero balance.

The currency symbol for the program is a dollar sign (\$) unless a currency symbol is specified with the CURSYM keyword on the control specification.

To specify a floating currency symbol in output specifications, code the currency symbol in positions 53-55 as well as an edit code in position 44 for the field to be edited.

For built-in function %EDITC, you specify a floating currency symbol in the third parameter. To use the currency symbol for the program, specify \*CURSYM. To use another currency symbol, specify a character constant of length 1.

Asterisk protection causes an asterisk to replace each zero suppressed. A complete field of asterisks replaces the field on a zero balance source field. To specify asterisk protection in output specifications, code an asterisk constant in positions 53 through 55 of the output specifications, along with an edit code. To specify asterisk protection using the built-in function %EDITC, specify \*ASTFILL as the third parameter.

Asterisk fill and the floating currency symbol *cannot* be used with the simple (X, Y, Z) or with the user-defined (5 through 9) edit codes.

A currency symbol can appear before the asterisk fill (fixed currency symbol). You can do this in output specifications with the following coding:

1. Place a currency symbol constant in position 53 of the first output specification. The end position specified in positions 47-51 should be one space before the beginning of the edited field.
2. In the second output specification, place the edit field in positions 30-43, an edit code in position 44, end position of the edit field in positions 47-51, and '\*' in positions 53-55.

You can do this using the %EDITC built-in function by concatenating the currency symbol to the %EDITC result.

```
C EVAL X = '$' + %EDITC(N: 'A' : *ASTFILL)
```

In output specifications, when an edit code is used to print an entire array, two blanks precede each element of the array (except the first element).

**Note:** You cannot edit an array using the %EDITC built-in function.

Table 32 summarizes the functions of the combination edit codes. The codes edit the field in the format listed on the left. A negative field can be punctuated with no sign, CR, a minus sign (-), or a floating minus sign as shown on the top of the figure.

*Table 32. Combination Edit Codes*

|                                |                     | Negative Balance Indicator |    |   |                |
|--------------------------------|---------------------|----------------------------|----|---|----------------|
| Prints with Grouping Separator | Prints Zero Balance | No Sign                    | CR | - | Floating Minus |
| Yes                            | Yes                 | 1                          | A  | J | N              |
| Yes                            | No                  | 2                          | B  | K | 0              |
| No                             | Yes                 | 3                          | C  | L | P              |
| No                             | No                  | 4                          | D  | M | Q              |

## User-Defined Edit Codes

IBM has predefined edit codes 5 through 9. You can use them as they are, or you can delete them and create your own. For a description of the IBM-supplied edit codes, see the iSeries Information Center programming category.

The user-defined edit codes allow you to handle common editing problems that would otherwise require the use of an edit word. Instead of the repetitive coding of the same edit word, a user-defined edit code can be used. These codes are system defined by the CL command CRTEDTD (Create Edit Description).

When you edit a field defined to have decimal places, be sure to use an edit word that has an editing mask for both the fractional and integer portions of the field. Remember that when a user-defined edit code is specified in a program, any system changes made to that user-defined edit code are not reflected until the program is recompiled. For further information on CRTEDTD, see the iSeries Information Center programming category.

## Editing Considerations

Remember the following when you specify any of the edit codes:

- Edit fields of a non-printer file with caution. If you do edit fields of a non-printer file, be aware of the contents of the edited fields and the effects of any operations you do on them. For example, if you use the file as input, the fields written out with editing must be considered character fields, not numeric fields.
- Consideration should be given to data added by the edit operation. The amount of punctuation added increases the overall length of the edited value. If these added characters are not considered when editing in output specifications, the output fields may overlap.
- The end position specified for output is the end position of the edited field. For example, if any of the edit codes J through M are specified, the end position is the position of the minus sign (or blank if the field is positive).
- The compiler assigns a character position for the sign even for unsigned numeric fields.

## Summary of Edit Codes

Table 33 summarizes the edit codes and the options they provide. A simplified version of this table is printed above positions 45 through 70 on the output specifications. Table 34 on page 224 shows how fields look after they are edited.

Table 35 on page 225 shows the effect that the different edit codes have on the same field with a specified end position for output.

Table 33. Edit Codes

| Edit Code | Commas | Decimal Point | Sign for Negative Balance | DECEDIT Keyword Parameter |          |           |           | Zero Suppress |
|-----------|--------|---------------|---------------------------|---------------------------|----------|-----------|-----------|---------------|
|           |        |               |                           | '.'                       | ','      | '0,'      | '0.'      |               |
| 1         | Yes    | Yes           | No Sign                   | .00 or 0                  | ,00 or 0 | 0,00 or 0 | 0.00 or 0 | Yes           |
| 2         | Yes    | Yes           | No Sign                   | Blanks                    | Blanks   | Blanks    | Blanks    | Yes           |
| 3         |        | Yes           | No Sign                   | .00 or 0                  | ,00 or 0 | 0,00 or 0 | 0.00 or 0 | Yes           |
| 4         |        | Yes           | No Sign                   | Blanks                    | Blanks   | Blanks    | Blanks    | Yes           |

Table 33. Edit Codes (continued)

| Edit Code        | Commas | Decimal Point | Sign for Negative Balance | DECEDIT Keyword Parameter |          |           |           | Zero Suppress |
|------------------|--------|---------------|---------------------------|---------------------------|----------|-----------|-----------|---------------|
|                  |        |               |                           | '.'                       | ','      | '0.'      | '0.'      |               |
| 5-9 <sup>1</sup> |        |               |                           |                           |          |           |           |               |
| A                | Yes    | Yes           | CR                        | .00 or 0                  | ,00 or 0 | 0,00 or 0 | 0.00 or 0 | Yes           |
| B                | Yes    | Yes           | CR                        | Blanks                    | Blanks   | Blanks    | Blanks    | Yes           |
| C                |        | Yes           | CR                        | .00 or 0                  | ,00 or 0 | 0,00 or 0 | 0.00 or 0 | Yes           |
| D                |        | Yes           | CR                        | Blanks                    | Blanks   | Blanks    | Blanks    | Yes           |
| J                | Yes    | Yes           | - (minus)                 | .00 or 0                  | ,00 or 0 | 0,00 or 0 | 0.00 or 0 | Yes           |
| K                | Yes    | Yes           | - (minus)                 | Blanks                    | Blanks   | Blanks    | Blanks    | Yes           |
| L                |        | Yes           | - (minus)                 | .00 or 0                  | ,00 or 0 | 0,00 or 0 | 0.00 or 0 | Yes           |
| M                |        | Yes           | - (minus)                 | Blanks                    | Blanks   | Blanks    | Blanks    | Yes           |
| N                | Yes    | Yes           | - (floating minus)        | .00 or 0                  | ,00 or 0 | 0,00 or 0 | 0.00 or 0 | Yes           |
| O                | Yes    | Yes           | - (floating minus)        | Blanks                    | Blanks   | Blanks    | Blanks    | Yes           |
| P                |        | Yes           | - (floating minus)        | .00 or 0                  | ,00 or 0 | 0,00 or 0 | 0.00 or 0 | Yes           |
| Q                |        | Yes           | - (floating minus)        | Blanks                    | Blanks   | Blanks    | Blanks    | Yes           |
| X <sup>2</sup>   |        |               |                           |                           |          |           |           |               |
| Y <sup>3</sup>   |        |               |                           |                           |          |           |           | Yes           |
| Z <sup>4</sup>   |        |               |                           |                           |          |           |           | Yes           |

**Notes:**

1. These are the user-defined edit codes.
2. The X edit code ensures a hexadecimal F sign for positive values. Because the system does this for you, normally you do not have to specify this code.
3. The Y edit code suppresses the leftmost zeros of date fields, up to but not including the digit preceding the first separator. The Y edit code also inserts slashes (/) between the month, day, and year according to the following pattern:
  - nn/n
  - nn/nn
  - nn/nn/n
  - nn/nn/nn
  - nnn/nn/nn
  - nn/nn/nnnn
  - nnn/nn/nnnn
  - nnnn/nn/nn
  - nnnnn/nn/nn
4. The Z edit code removes the sign (plus or minus) from a numeric field and suppresses leading zeros.

## Edit Codes

Table 34. Examples of Edit Code Usage

| Edit Codes       | Positive Number-Two Decimal Positions | Positive Number-No Decimal Positions | Negative Number-Three Decimal Positions | Negative Number-No Decimal Positions | Zero Balance-Two Decimal Positions | Zero Balance-No Decimal Positions |
|------------------|---------------------------------------|--------------------------------------|-----------------------------------------|--------------------------------------|------------------------------------|-----------------------------------|
| Unedited         | 1234567                               | 1234567                              | 00012b <sup>5</sup>                     | 00012b <sup>5</sup>                  | 000000                             | 000000                            |
| 1                | 12,345.67                             | 1,234,567                            | .120                                    | 120                                  | .00                                | 0                                 |
| 2                | 12,345.67                             | 1,234,567                            | .120                                    | 120                                  |                                    |                                   |
| 3                | 12345.67                              | 1234567                              | .120                                    | 120                                  | .00                                | 0                                 |
| 4                | 12345.67                              | 1234567                              | .120                                    | 120                                  |                                    |                                   |
| 5-9 <sup>1</sup> |                                       |                                      |                                         |                                      |                                    |                                   |
| A                | 12,345.67                             | 1,234,567                            | .120CR                                  | 120CR                                | .00                                | 0                                 |
| B                | 12.345.67                             | 1,234,567                            | .120CR                                  | 120CR                                |                                    |                                   |
| C                | 12345.67                              | 1234567                              | .120CR                                  | 120CR                                | .00                                | 0                                 |
| D                | 12345.67                              | 1234567                              | .120CR                                  | 120CR                                |                                    |                                   |
| J                | 12,345.67                             | 1,234,567                            | .120-                                   | 120-                                 | .00                                | 0                                 |
| K                | 12,345.67                             | 1,234,567                            | .120-                                   | 120-                                 |                                    |                                   |
| L                | 12345.67                              | 1234567                              | .120-                                   | 120-                                 | .00                                | 0                                 |
| M                | 12345.67                              | 1234567                              | .120-                                   | 120-                                 |                                    |                                   |
| N                | 12,345.67                             | 1,234,567                            | -.120                                   | -120                                 | .00                                | 0                                 |
| O                | 12,345.67                             | 1,234,567                            | -.120                                   | -120                                 |                                    |                                   |
| P                | 12345.67                              | 1234567                              | -.120                                   | -120                                 | .00                                | 0                                 |
| Q                | 12345.67                              | 1234567                              | -.120                                   | -120                                 |                                    |                                   |
| X <sup>2</sup>   | 1234567                               | 1234567                              | 00012b <sup>5</sup>                     | 00012b <sup>5</sup>                  | 000000                             | 000000                            |
| Y <sup>3</sup>   |                                       |                                      | 0/01/20                                 | 0/01/20                              | 0/00/00                            | 0/00/00                           |
| Z <sup>4</sup>   | 1234567                               | 1234567                              | 120                                     | 120                                  |                                    |                                   |

**Notes:**

- These edit codes are user-defined.
- The X edit code ensures a hex F sign for positive values. Because the system does this for you, normally you do not have to specify this code.
- The Y edit code suppresses the leftmost zeros of date fields, up to but not including the digit preceding the first separator. The Y edit code also inserts slashes (/) between the month, day, and year according to the following pattern:
  - nn/n
  - nn/nn
  - nn/nn/n
  - nn/nn/nn
  - nnn/nn/nn
  - nn/nn/nnnn Format used with M, D or blank in position 19
  - nnn/nn/nnnn Format used with M, D or blank in position 19
  - nnnn/nn/nn Format used with Y in position 19
  - nnnnn/nn/nn Format used with Y in position 19
- The Z edit code removes the sign (plus or minus) from a numeric field and suppresses leading zeros of a numeric field.
- The b represents a blank. This may occur if a negative zero does not correspond to a printable character.

Table 35. Effects of Edit Codes on End Position

| Edit Code        | Negative Number, 2 Decimal Positions. End Position Specified as 10. |   |   |   |   |   |   |                |    |
|------------------|---------------------------------------------------------------------|---|---|---|---|---|---|----------------|----|
|                  | Output Print Positions                                              |   |   |   |   |   |   |                |    |
|                  | 3                                                                   | 4 | 5 | 6 | 7 | 8 | 9 | 10             | 11 |
| Unedited         |                                                                     |   |   | 0 | 0 | 4 | 1 | K <sup>1</sup> |    |
| 1                |                                                                     |   |   |   | 4 | . | 1 | 2              |    |
| 2                |                                                                     |   |   |   | 4 | . | 1 | 2              |    |
| 3                |                                                                     |   |   |   | 4 | . | 1 | 2              |    |
| 4                |                                                                     |   |   |   | 4 | . | 1 | 2              |    |
| 5-9 <sup>2</sup> |                                                                     |   |   |   |   |   |   |                |    |
| A                |                                                                     |   | 4 | . | 1 | 2 | C | R              |    |
| B                |                                                                     |   | 4 | . | 1 | 2 | C | R              |    |
| C                |                                                                     |   | 4 | . | 1 | 2 | C | R              |    |
| D                |                                                                     |   | 4 | . | 1 | 2 | C | R              |    |
| J                |                                                                     |   |   | 4 | . | 1 | 2 | -              |    |
| K                |                                                                     |   |   | 4 | . | 1 | 2 | -              |    |
| L                |                                                                     |   |   | 4 | . | 1 | 2 | -              |    |
| M                |                                                                     |   |   | 4 | . | 1 | 2 | -              |    |
| N                |                                                                     |   |   | - | 4 | . | 1 | 2              |    |
| O                |                                                                     |   |   | - | 4 | . | 1 | 2              |    |
| P                |                                                                     |   |   | - | 4 | . | 1 | 2              |    |
| Q                |                                                                     |   |   | - | 4 | . | 1 | 2              |    |
| X                |                                                                     |   |   | 0 | 0 | 4 | 1 | K <sup>1</sup> |    |
| Y                |                                                                     |   | 0 | / | 4 | 1 | / | 2              |    |
| Z                |                                                                     |   |   |   |   | 4 | 1 | 2              |    |

**Notes:**

1. K represents a negative 2.
2. These are user-defined edit codes.

## Edit Words

If you have editing requirements that cannot be met by using the edit codes described above, you can use an edit word. An edit word is a character literal or a named constant specified in positions 53 - 80 of the output specification. It describes the editing pattern for an numeric and allows you to directly specify:

- Blank spaces
- Commas and decimal points, and their position
- Suppression of unwanted zeros
- Leading asterisks
- The currency symbol, and its position
- Addition of constant characters
- Output of the negative sign, or CR, as a negative indicator.

## Edit Words

The edit word is used as a template, which the system applies to the source data to produce the output.

The edit word may be specified directly on an output specification or may be specified as a named constant with a named constant name appearing in the edit word field of the output specification. You can obtain the edited value of the field in calculation specifications using the built-in function %EDITW (edit word).

Edit words are limited to 115 characters.

### How to Code an Edit Word

To output using an edit word, code the output specifications as shown below:

#### Position

##### Entry

- 21-29 Can contain conditioning indicators.
- 30-43 Contains the name of the numeric field from which the data that is to be edited is taken.
- 44 *Edit code*. Must be blank, if you are using an edit word to edit the source data.
- 45 A "B" in this position indicates that the source data is to be set to zero or blanks after it has been edited and output. Otherwise the source data remains unchanged.
- 47-51 Identifies the end (rightmost) position of the field in the output record.
- 53-80 *Edit word*. Can be up to 26 characters long and must be enclosed by apostrophes, unless it is a named constant. Enter the leading apostrophe, or begin the named constant name in column 53. The edit word, unless a named constant, must begin in column 54.

To edit using an edit word in calculation specifications, use built-in function %EDITW, specifying the value to be edited as the first parameter, and the edit word as the second parameter.

### Parts of an Edit Word

An edit word consists of three parts: the body, the status, and the expansion. The following shows the three parts of an edit word:

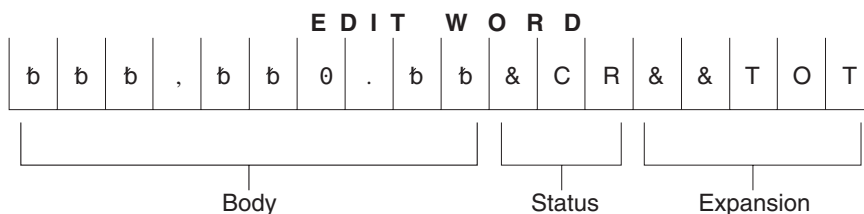


Figure 102. Parts of an Edit Word

The *body* is the space for the digits transferred from the source data field to the edited result. The body begins at the leftmost position of the edit word. The number of blanks (plus one zero or an asterisk) in the edit word body must be equal to or greater than the number of digits of the source data field to be edited. The body ends with the rightmost character that can be replaced by a digit.



The *status* defines a space to allow for a negative indicator, either the two letters CR or a minus sign (-). The negative indicator specified is output only if the source data is negative. All characters in the edit word between the last replaceable character (blank, zero suppression character) and the negative indicator are also output with the negative indicator only if the source data is negative; if the source data is positive, these status positions are replaced by blanks. Edit words without the CR or - indicators have no status positions.

The status must be entered after the last blank in the edit word. If more than one CR follows the last blank, only the first CR is treated as a status; the remaining CRs are treated as constants. For the minus sign to be considered as a status, it must be the last character in the edit word.

The *expansion* is a series of ampersands and constant characters entered after the status. Ampersands are replaced by blank spaces in the output; constants are output as is. If status is not specified, the expansion follows the body.

### Forming the Body of an Edit Word

The following characters have special meanings when used in the body of an edit word:

**Blank:** Blank is replaced with the character from the corresponding position of the value to be edited. A blank position is referred to as a digit position.

**Decimals and Commas:** Decimals and commas are in the same relative position in the edited output field as they are in the edit word unless they appear to the left of the first significant digit in the edit word. In that case, they are blanked out or replaced by an asterisk.

In the following examples below, all the leading zeros will be suppressed (default) and the decimal point will not appear unless there is a significant digit to its left.

| Edit Word             | Source Data | Appears in Edited Result as: |
|-----------------------|-------------|------------------------------|
| 'b b b b b b b'       | 0000072     | b b b b b 72                 |
| 'b b b b b b b . b b' | 000000012   | b b b b b b b 12             |
| 'b b b b b b b . b b' | 000000123   | b b b b b b 1.23             |

**Zeros:** The first zero in the body of the edit word is interpreted as an end-zero-suppression character. This zero is placed where zero suppression is to end. Subsequent zeros put into the edit word are treated as constants (see “Constants” below).

Any leading zeros in the source data are suppressed up to and including the position of the end-zero-suppression character. Significant digits that would appear in the end-zero-suppression character position, or to the left of it, are output.

| Edit Word             | Source Data | Appears in Edited Result as: |
|-----------------------|-------------|------------------------------|
| 'b b b 0 b b b b b b' | 00000004    | b b b b 000004               |
| 'b b b 0 b b b b b b' | 012345      | b b b b 012345               |
| 'b b b 0 b b b b b b' | 012345678   | b b 12345678                 |

If the leading zeros include, or extend to the right of, the end-zero-suppression character position, that position is replaced with a blank. This means that if you

## Edit Words

wish the same number of leading zeros to appear in the output as exist in the source data, the edit word body must be wider than the source data.

| Edit Word | Source Data | Appears in Edited Result as: |
|-----------|-------------|------------------------------|
| '0bbb'    | 0156        | b156                         |
| '0bbbb'   | 0156        | b0156                        |

Constants (including commas and decimal point) that are placed to the right of the end-zero-suppression character are output, even if there is no source data. Constants to the left of the end-zero-suppression character are only output if the source data has significant digits that would be placed to the left of these constants.

| Edit Word    | Source Data | Appears in Edited Result as: |
|--------------|-------------|------------------------------|
| 'bbbbbb0.bb' | 00000001    | bbbbbb0.01                   |
| 'bbbbbb0.bb' | 00000000    | bbbbbb0.00                   |
| 'bb,b0b.bb'  | 00000012    | bbbbb0.12                    |
| 'bb,b0b.bb'  | 00000123    | bbbbbb1.23                   |
| 'b0b,bb.bb'  | 00000123    | bb0,001.23                   |

**Asterisk:** The first asterisk in the body of an edit word also ends zero suppression. Subsequent asterisks put into the edit word are treated as constants (see "Constants" below). Any zeros in the edit word following this asterisk are also treated as constants. There can be only one end-zero-suppression character in an edit word, and that character is the first asterisk *or* the first zero in the edit word.

If an asterisk is used as an end-zero-suppression character, all leading zeros that are suppressed are replaced with asterisks in the output. Otherwise, the asterisk suppresses leading zeros in the same way as described above for "Zeros".

| Edit Word       | Source Data | Appears in Edited Result as: |
|-----------------|-------------|------------------------------|
| '*bbbbbb.bb'    | 000000123   | *bbbbbb1.23                  |
| 'bbbbbb*b.bb'   | 000000000   | *****0.00                    |
| 'bbbbbb*b.bb**' | 000056342   | ***563.42**                  |

Note that leading zeros appearing after the asterisk position are output as leading zeros. Only the suppressed leading zeros, including the one in the asterisk position, are replaced by asterisks.

**Currency Symbol:** A currency symbol followed directly by a first zero in the edit word (end-zero-suppression character) is said to float. All leading zeros are suppressed in the output and the currency symbol appears in the output immediately to the left of the most significant digit.

| Edit Word        | Source Data | Appears in Edited Result as: |
|------------------|-------------|------------------------------|
| 'bb,bbb,b\$0.bb' | 000000012   | bbbbbbbbb\$.12               |
| 'bb,bbb,b\$0.bb' | 000123456   | bbb\$b1,234.56               |

If the currency symbol is put into the first position of the edit word, then it will always appear in that position in the output. This is called a fixed currency symbol.

| Edit Word         | Source Data | Appears in Edited Result as: |
|-------------------|-------------|------------------------------|
| '\$b,bbb,bb0.bb'  | 000123456   | \$bbbb1,234.56               |
| '\$bb,bbb,0b0.bb' | 000000000   | \$bbbbbb00.00                |
| '\$b,bbb,*bb.bb'  | 000123456   | \$***1,234.56                |

A currency symbol anywhere else in the edit word and not immediately followed by a zero end-suppression-character is treated as a constant (see “Constants” below).

**Ampersand:** Causes a blank in the edited field. The example below might be used to edit a telephone number. Note that the zero in the first position is required to print the constant AREA.

| Edit Word                | Source Data | Appears in Edited Result as: |
|--------------------------|-------------|------------------------------|
| '0AREA&bbb&NO.&bbb-bbbb' | 4165551212  | bAREAb416bNO.b555-1212       |

**Constants:** All other characters entered into the body of the edit word are treated as constants. If the source data is such that the output places significant digits or leading zeros to the left of any constant, then that constant appears in the output. Otherwise, the constant is suppressed in the output. Commas and the decimal point follow the same rules as for constants. Notice in the examples below, that the presence of the end-zero-suppression character as well as the number of significant digits in the source data, influence the output of constants.

The following edit words could be used to print cheques. Note that the second asterisk is treated as a constant, and that, in the third example, the constants preceding the first significant digit are not output.

| Edit Word                  | Source Data | Appears in Edited Result as: |
|----------------------------|-------------|------------------------------|
| '\$bbbbbb**DOLLARS&bb&CTS' | 000012345   | \$***123*DOLLARSb45bCTS      |
| '\$bbbbbb**DOLLARS&bb&CTS' | 000000006   | \$*****DOLLARSb06bCTS        |
| '\$bbbbbb&DOLLARS&bb&CTS'  | 000000006   | \$bbbbbbbbb6bCTS             |

A date could be edited by using either edit word:

| Edit Word   | Source Data | Appears in Edited Result as: |
|-------------|-------------|------------------------------|
| 'bb/bb/bb'  | 010388      | b1/03/88                     |
| '0bb/bb/bb' | 010389      | b01/03/89                    |

Note that any zeros or asterisks following the first occurrence of an edit word are treated as constants. The same is true for - and CR:

| Edit Word   | Source Data | Appears in Edited Result as: |
|-------------|-------------|------------------------------|
| 'bb0.bb000' | 01234       | b12.34000                    |
| 'bb*.bb000' | 01234       | *12.34000                    |

### Forming the Status of an Edit Word

The following characters have special meanings when used in the status of an edit word:

**Ampersand:** Causes a blank in the edited output field. An ampersand cannot be placed in the edited output field.

**CR or minus symbol:** If the sign in the edited output is plus (+), these positions are blanked out. If the sign in the edited output field is minus (-), these positions remain undisturbed.

The following example adds a negative value indication. The minus sign will print only when the value in the field is negative. A CR symbol fills the same function as a minus sign.

| Edit Word    | Source Data | Appears in Edited Result as: |
|--------------|-------------|------------------------------|
| 'bbbbbb.bb-' | 000000123-  | bbbbbb1.23-                  |
| 'bbbbbb.bb-' | 000000123   | bbbbbb1.23b                  |

Constants between the last replaceable character and the - or CR symbol will print only if the field is negative; otherwise, blanks will appear in these positions. Note the use of ampersands to represent blanks:

| Edit Word                | Source Data | Appears in Edited Result as: |
|--------------------------|-------------|------------------------------|
| 'b,bbb,bb0.bb&30&DAY&CR' | 000000123-  | bbbbbbbbb1.23b30bDAYbCR      |
| 'b,bbb,bb0.bb&30&DAY&CR' | 000000123   | bbbbbbbbb1.23bbbbbbbbb       |

### Formatting the Expansion of an Edit Word

The characters in the expansion portion of an edit word are always used. The expansion cannot contain blanks. If a blank is required in the edited result, specify an ampersand in the body of the edit word.

Constants may be added to appear with any value of the number:

| Edit Word         | Source Data | Appears in Edited Result as: |
|-------------------|-------------|------------------------------|
| 'b,bb0.bb&CR&NET' | 000123-     | bbb1.23bCRbNET               |
| 'b,bb0.bb&CR&NET' | 000123      | bbb1.23bbbbNET               |

Note that the CR in the middle of a word may be detected as a negative field value indication. If a word such as SECRET is required, use the coding in the example below.

| Edit Word           | Source Data | Appears in Edited Result as: |
|---------------------|-------------|------------------------------|
| 'bb0.bb&SECRET'     | 12345-      | 123.45bSECRET                |
| 'bb0.bb&SECRET'     | 12345       | 123.45bbbbbbET               |
| 'bb0.bb&CR&&SECRET' | 12345       | 123.45bbbbbbSECRET           |

## Summary of Coding Rules for Edit Words

The following rules apply to edit words in output specifications:

- Position 44 (edit codes) must be blank.

- Positions 30 through 43 (field name) must contain the name of a numeric field.
- An edit word must be enclosed in apostrophes, unless it is a named constant. Enter the leading apostrophe or begin a named constant name in position 53. The edit word itself must begin in position 54.

The following rules apply to edit words in general:

- The edit word can contain more digit positions (blanks plus the initial zero or asterisk) than the field to be edited, but must not contain less. If there are more digit positions in the edit word than there are digits in the field to be edited, leading zeros are added to the field before editing.
- If leading zeros from the source data are desired, the edit word must contain one more position than the field to be edited, and a zero must be placed in the high-order position of the edit word.
- In the body of the edit word only blanks and the zero-suppression stop characters (zero and asterisk) are counted as digit positions. The floating currency symbol is not counted as a digit position.
- When the floating currency symbol is used, the sum of the number of blanks and the zero-suppression stop character (digit positions) contained in the edit word must be equal to or greater than the number of positions in the field to be edited.
- Any zeros or asterisks following the leftmost zero or asterisk are treated as constants; they are not replaceable characters.
- When editing an unsigned integer field, DB and CR are allowed and will always print as blanks.

---

## Editing Externally Described Files

To edit output for externally described files, place the edit codes in data description specifications (DDS), instead of in RPG IV specifications. See the iSeries Information Center database and file systems category for information on how to specify edit codes in the data description specifications. However, if an externally described file, which has an edit code specified, is to be written out as a program described output file, you must specify editing in the output specifications. In this case, any edit codes in the data description specifications are ignored.

## Editing Externally Described Files

---

## Part 3. Specifications

This section describes the RPG IV specifications. First, information common to several specifications, such as keyword syntax and continuation rules is described. Next, the specifications are described in the order in which they must be entered in your program. Each specification description lists all the fields on the specification and explains all the possible entries.





---

## Chapter 12. About Specifications

RPG IV source is coded on a variety of specifications. Each specification has a specific set of functions.

This reference contains a detailed description of the individual RPG IV specifications. Each field and its possible entries are described. Chapter 20, "Operations," on page 387 describes the operation codes that are coded on the calculation specification, which is described in Chapter 17, "Calculation Specifications," on page 355.

---

### RPG IV Specification Types

There are three groups of source records that may be coded in an RPG IV program: the main source section, the subprocedure section, and the program data section. The **main source section** consists of the first set of H, F, D, I, C, and O specifications in a module. If the keyword NOMAIN is not specified, it corresponds to a standalone program or a main procedure. If NOMAIN is specified, it does not contain a main procedure, and so it does not contain any executable calculations. Every module requires a main source section independently of whether subprocedures are coded.

The **subprocedure section** contains specifications that define any subprocedures coded within a module. The **program data section** contains source records with data that is supplied at compile time.

The following illustration shows the types of source records that may be entered into each group and their order.

**Note**

The RPG IV source must be entered into the system in the order shown. Any of the specification types can be absent, but at least one from the main source section must be present.

## RPG IV Specification Types

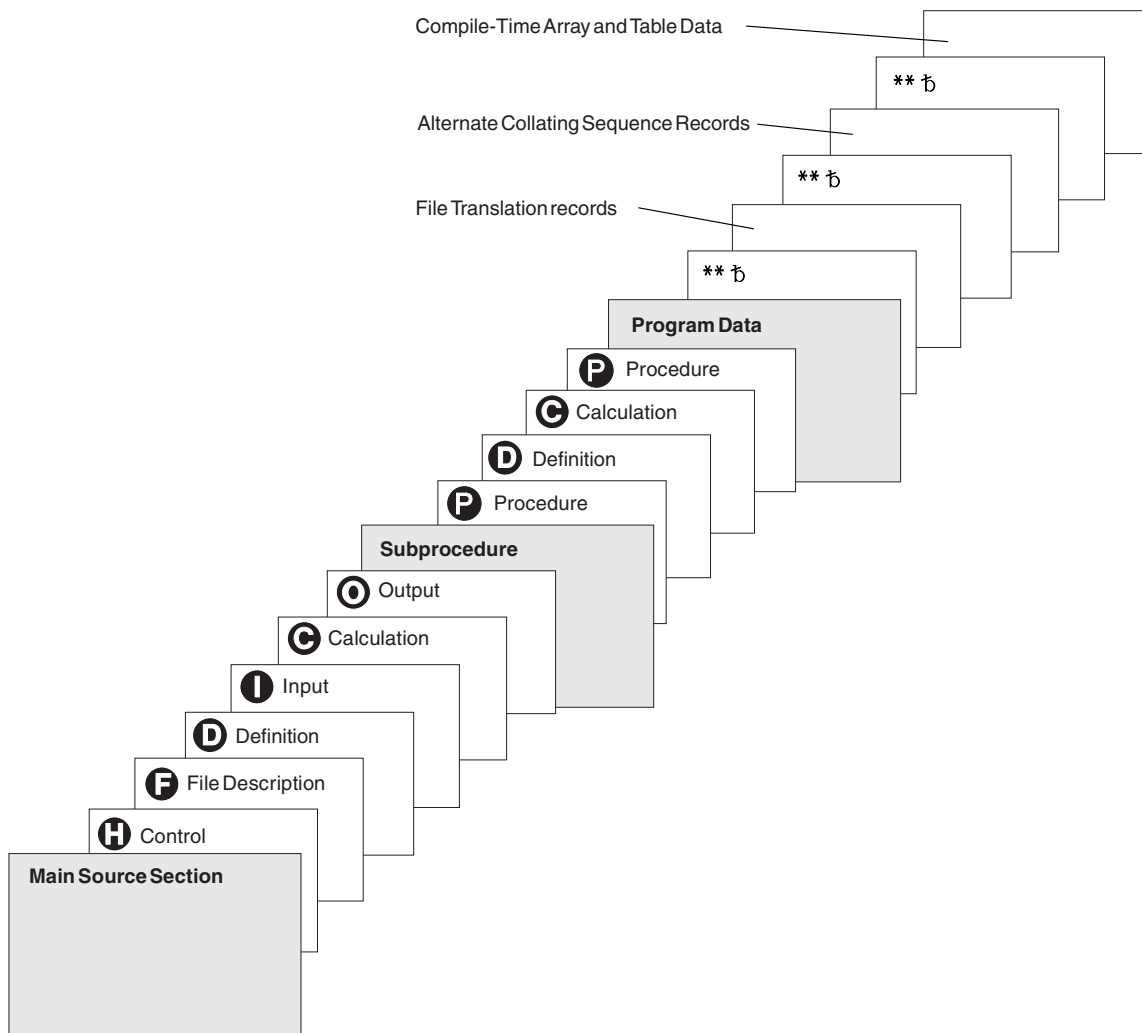


Figure 103. Source Records and Their Order in an RPG IV Source Program

### Main Source Section Specifications

- H** Control (Header) specifications provide information about program generation and running of the compiled program. Refer to Chapter 13, “Control Specifications,” on page 245 for a description of the entries on this specification.
- F** File description specifications define all files in the program. Refer to Chapter 14, “File Description Specifications,” on page 265 for a description of the entries on this specification.
- D** Definition specifications define items used in your program. Arrays, tables, data structures, subfields, constants, standalone fields, prototypes and their parameters, and procedure interfaces and their parameters are defined on this specification. Refer to Chapter 15, “Definition Specifications,” on page 291 for a description of the entries on this specification.
- I** Input specifications describe records, and fields in the input files and

indicate how the records and fields are used by the program. Refer to Chapter 16, “Input Specifications,” on page 339 for a description of the entries on this specification.

- C** Calculation specifications describe calculations to be done by the program and indicate the order in which they are done. Calculation specifications can control certain input and output operations. Refer to Chapter 17, “Calculation Specifications,” on page 355 for a description of the entries on this specification.
- O** Output specifications describe the records and fields and indicate when they are to be written by the program. Refer to Chapter 18, “Output Specifications,” on page 365 for a description of the entries on this specification.

## Subprocedure Specifications

- P** Procedure specifications describe the procedure-interface definition of a prototyped program or procedure. Refer to Chapter 19, “Procedure Specifications,” on page 381 for a description of the entries on this specification.
- D** Definition specifications define items used in the prototyped procedure. Procedure-interface definitions, entry parameters, and other local items are defined on this specification. Refer to Chapter 15, “Definition Specifications,” on page 291 for a description of the entries on this specification.
- C** Calculation specifications perform the logic of the prototyped procedure. Refer to Chapter 17, “Calculation Specifications,” on page 355 for a description of the entries on this specification.

The RPG IV language consists of a mixture of position-dependent code and free form code. Those specifications which support keywords (control, file description, definition, and procedure) allow free format in the keyword fields. The calculation specification allows free format with those operation codes which support an extended-factor 2. Otherwise, RPG IV entries are position specific. To represent this, each illustration of RPG IV code will be in listing format with a scale drawn across the top.

## Program Data

Source records with program data follow all source specifications. The first line of the data section must start with \*\*.

If desired, you can indicate the type of program data that follows the \*\*, by specifying any of these keywords as required: “CTDATA” on page 301, “FTRANS{(\*NONE | \*SRC)}” on page 257, or “ALTSEQ{(\*NONE | \*SRC | \*EXT)}” on page 247. By associating the program data with the appropriate keyword, you can place the groups of program data in any order after the source records.

The first entry for each input record must begin in position 1. The entire record need not be filled with entries. Array elements associated with unused entries will be initialized with the default value.

For more information on entering compile-time array records, see “Rules for Array Source Records” on page 154. For more information on file translation, see “File Translation” on page 111. For more information on alternate collating sequences, see “Alternate Collating Sequence” on page 184.

---

## Common Entries

The following entries are common to all RPG specifications preceding program data:

- Positions 1-5 can be used for comments.
- Specification type (position 6). The following letter codes can be used:

| Entry | Specification Type |
|-------|--------------------|
|-------|--------------------|

|   |         |
|---|---------|
| H | Control |
|---|---------|

|   |                  |
|---|------------------|
| F | File description |
|---|------------------|

|   |            |
|---|------------|
| D | Definition |
|---|------------|

|   |       |
|---|-------|
| I | Input |
|---|-------|

|   |             |
|---|-------------|
| C | Calculation |
|---|-------------|

|   |        |
|---|--------|
| O | Output |
|---|--------|

|   |           |
|---|-----------|
| P | Procedure |
|---|-----------|

- Comment Statements
  - Position 7 contains an asterisk (\*). This will denote the line as a comment line regardless of any other entry on the specification. In a free-form calculation specification, you can use // for a comment. Any line on any fixed-form specification that begins with // is considered a comment by the compiler. The // can start in any position provided that positions 6 to the // characters contain blanks.
  - Positions 6 to 80 are blank.
- Positions 7 to 80 are blank and position 6 contains a valid specification. This is a valid line, not a comment, and sequence rules are enforced.

## Syntax of Keywords

Keywords may have no parameters, optional parameters, or required parameters. The syntax for keywords is as follows:

```
Keyword(parameter1 : parameter2)
```

where:

- Parameter(s) are enclosed in parentheses ( ).

**Note:** Parentheses should not be specified if there are no parameters.

- Colons (:) are used to separate multiple parameters.

The following notational conventions are used to show which parameters are optional and which are required:

- Braces { } indicate optional parameters or optional elements of parameters.
- An ellipsis (...) indicates that the parameter can be repeated.
- A colon (:) separates parameters and indicates that more than one may be specified. All parameters separated by a colon are required unless they are enclosed in braces.
- A vertical bar (|) indicates that only one parameter may be specified for the keyword.
- A blank separating keyword parameters indicates that one or more of the parameters may be specified.

**Note:** Braces, ellipses, and vertical bars are not a part of the keyword syntax and should not be entered into your source.

Table 36. Examples of Keyword Notation

| Notation         | Example of Notation Used                                | Description                                                                                                                        | Example of Source Entered                               |
|------------------|---------------------------------------------------------|------------------------------------------------------------------------------------------------------------------------------------|---------------------------------------------------------|
| braces {}        | PRTCTL (data_struct {:*COMPAT})                         | Parameter data_struct is required and parameter *COMPAT is optional.                                                               | PRTCTL (data_struct1)                                   |
| braces {}        | TIME(format {separator})                                | Parameter format{separator} is required, but the {separator} part of the parameter is optional.                                    | TIME(*HMS&)                                             |
| colon (:)        | RENAME(Ext_format :Int_format)                          | Parameters Ext_format and Int_format are required.                                                                                 | RENAME (nameE: nameI)                                   |
| ellipsis (...)   | IGNORE(recformat {;recformat...})                       | Parameter recformat is required and can be specified more than once.                                                               | IGNORE (recformat1: recformat2: recformat3)             |
| vertical bar ( ) | FLTDIV{(*NO   *YES)}                                    | Specify *NO or *YES or no parameters.                                                                                              | FLTDIV                                                  |
| blank            | OPTIONS(*OMIT *NOPASS *VARSIZE *STRING *TRIM *RIGHTADJ) | One of *OMIT, *NOPASS, *VARSIZE, *STRING, *TRIM, or *RIGHTADJ is required and more than one parameter can be optionally specified. | OPTIONS(*OMIT : *NOPASS : *VARSIZE : *TRIM : *RIGHTADJ) |

## Continuation Rules

The fields that may be continued are:

- The keywords field on the control specification
- The keywords field on the file description specification
- The keywords field on the definition specification
- The Extended factor-2 field on the calculation specification
- The constant/editword field on the output specification
- The Name field on the definition or the procedure specification

General rules for continuation are as follows:

- The continuation line must be a valid line for the specification being continued (H, F, D, C, or O in position 6)
- No special characters should be used when continuing specifications across multiple lines, except when a literal or name must be split. For example, the following pairs are equivalent. In the first pair, the plus sign (+) is an operator, even when it appears at the end of a line. In the second pair, the plus sign is a continuation character.

```

C eval x = a + b
C eval x = a +
C b

C eval x = 'abc'
C eval x = 'ab+
C c'
```

- Only blank lines, empty specification lines or comment lines are allowed between continued lines
- The continuation can occur after a complete token. Tokens are
  - Names (for example, keywords, file names, field names)
  - Parentheses

## Common Entries

- The separator character (:)
- Expression operators
- Built-in functions
- Special words
- Literals
- A continuation can also occur within a literal
  - For character, date, time, and timestamp literals
    - A hyphen (-) indicates continuation is in the first available position in the continued field
    - A plus (+) indicates continuation with the first non-blank character in or past the first position in the continued field
  - For graphic literals
    - Either the hyphen (-) or plus (+) can be used to indicate a continuation.
    - Each segment of the literal must be enclosed by shift-out and shift-in characters.
    - When the a graphic literal is assembled, only the first shift-out and the last shift-in character will be included.
    - Regardless of which continuation character is used for a graphic literal, the literal continues with the first character after the shift-out character on the continuation line. Spaces preceding the shift-out character are ignored.
  - For numeric literals
    - No continuation character is used
    - A numeric literal continues with a numeric character or decimal point on the continuation line in the continued field
  - For hexadecimal and UCS-2 literals
    - Either a hyphen (-) or a plus (+) can be used to indicate a continuation
    - The literal will be continued with the first non-blank character on the next line
- A continuation can also occur within a name in free-format entries
  - In the name entry for Definition and Procedure specifications. For more information on continuing names in the name entry, see "Definition and Procedure Specification Name Field" on page 243.
  - In the keywords entry for File and Definition specifications.
  - In the extended factor 2 entry of Calculation specifications.

You can split a qualified name at a period, as shown below:

```
C EVAL dataStructureWithALongName.
C subfieldWithAnotherLongName = 5
```

If a name is not split at a period, code an ellipsis (...) at the end of the partial name, with no intervening blanks.

### Example

```

*.. 1 ...+... 2 ...+... 3 ...+... 4 ...+... 5 ...+... 6 ...+... 7 ...+... 8
DName+++++
DName+++++ETDsFrom+++To/L+++IDc.Keywords+++++
D Keywords-cont+++++
* Define a 10 character field with a long name.
* The second definition is a pointer initialized to the address
* of the variable with the long name.
D QuiteLongFieldNameThatCannotAlwaysFitInOneLine...
D S 10A
D Ptr S * inz(%addr(QuiteLongFieldName...
D ThatCannotAlways...
D FitInOneLine))
D ShorterName S 5A

*.. 1 ...+... 2 ...+... 3 ...+... 4 ...+... 5 ...+... 6 ...+... 7 ...+... 8
CL0N01Factor1+++++Opcode(E)+Extended-factor2+++++
C Extended-factor2-+++++
* Use the long name in an expression
* Note that you can split the name wherever it is convenient.
C EVAL QuiteLongFieldName...
C ThatCannotAlwaysFitInOneLine = 'abc'

* You can split any name this way
C EVAL P...
C tr = %addr(Shorter...
C Name)

```

### Control Specification Keyword Field

The rule for continuation on the control specification is:

- The specification continues on or past position 7 of the next control specification

#### Example

```

*.. 1 ...+... 2 ...+... 3 ...+... 4 ...+... 5 ...+... 6 ...+... 7 ...+... 8
HKeywords+++++
H DATFMT(
H *MDY&
H)

```

### File Description Specification Keyword Field

The rules for continuation on the file description specification are:

- The specification continues on or past position 44 of the next file description specification
- Positions 7-43 of the continuation line must be blank

#### Example

```

*.. 1 ...+... 2 ...+... 3 ...+... 4 ...+... 5 ...+... 6 ...+... 7 ...+... 8
FFilename++IPEASFRlen+LKlen+AIDevice+.Keywords+++++
F.....Keywords+++++
F EXTIND
F (
F *INU1
F)

```

### Definition Specification Keyword Field

The rules for continuation of keywords on the definition specification are:

- The specification continues on or past position 44 of the next Definition specification dependent on the continuation character specified
- Positions 7-43 of the continuation line must be blank

#### Example

```
*.. 1 ...+... 2 ...+... 3 ...+... 4 ...+... 5 ...+... 6 ...+... 7 ...+... 8
DName+++++ETDsFrom+++To/L+++IDc.Keywords+++++
D Keywords-cont+++++
DMARY C CONST(
D 'Mary had a little lamb, its -
D * Only a comment or a completely blank line is allowed in here
D fleece was white as snow.'
D)
D * Numeric literal, continues with the first non blank in/past position 44
D *
DNUMERIC C 12345
D 67
D * Graphic named constant, must have shift-out in/past position 44
DGRAF C G'oAABCCDDi+
D oEEFFGGi'
```

### Calculation Specification Extended Factor-2

The rules for continuation on the Calculation specification are:

- The specification continues on or past position 36 of the next calculation specification
- Positions 7-35 of the continuation line must be blank

#### Example

```
*.. 1 ...+... 2 ...+... 3 ...+... 4 ...+... 5 ...+... 6 ...+... 7 ...+... 8
CL0N01Factor1+++++Opcode(E)+Extended-factor2+++++
C Extended-factor2-+++++
C EVAL MARY='Mary had a little lamb, its +
D * Only a comment or a completely blank line is allowed in here
C fleece was white as snow.'
D *
D * Arithmetic expressions do not have continuation characters.
D * The '+' sign below is the addition operator, not a continuation
D * character.
C
C EVAL A = (B*D)/ C +
C 24
D * The first use of '+' in this example is the concatenation
D * operator. The second use is the character literal continuation.
C EVAL ERRMSG = NAME +
C ' was not found +
C in the file.'
```

### Free-Form Calculation Specification

The rules for continuation on a free-form calculation specification are:

- The free-form line can be continued on the next line. The statement continues until a semicolon is encountered.

#### Example



```

/FREE
 time = hours * num_employees
 + overtime_saved;
/END-FREE

```

### Output Specification Constant/Editword Field

The rules for continuation on the output specification are:

- The specification continues on or past position 53 of the next output specification
- Positions 7-52 of the continuation line must be blank

#### Example

```

*.. 1 ...+... 2 ...+... 3 ...+... 4 ...+... 5 ...+... 6 ...+... 7 ...+... 8
0.....N01N02N03Field+++++++YB.End++PConstant/editword/DTformat+++
0 Continue Constant/editword+++
0 80 'Mary had a little lamb, its-

*
* Only a comment or a completely blank line is allowed in here
0 fleece was white as snow.'

```

### Definition and Procedure Specification Name Field

The rules for continuation of the name on the definition and procedure specifications are:

- Continuation rules apply for names longer than 15 characters. Any name (even one with 15 characters or fewer) can be continued on multiple lines by coding an ellipsis (...) at the end of the partial name.
- A name definition consists of the following parts:
  1. Zero or more continued name lines. Continued name lines are identified as having an ellipsis as the last non-blank characters in the entry. The name must begin within positions 7 - 21 and may end anywhere up to position 77 (with an ellipsis ending in position 80). There cannot be blanks between the start of the name and the ellipsis (...) characters. If any of these conditions is not true, the line is considered to be a main definition line.
  2. One main definition line containing name, definition attributes, and keywords. If a continued name line is coded, the name entry of the main definition line may be left blank.
  3. Zero or more keyword continuation lines.

#### Example

## Common Entries

```

*.. 1 ...+... 2 ...+... 3 ...+... 4 ...+... 5 ...+... 6 ...+... 7 ...+... 8
DName+++++
DName+++++ETDsFrom+++To/L+++IDc.Keywords+++++
D Keywords-cont+++++
* Long name without continued name lines:
D RatherLongName S 10A
* Long name using 1 continued name line:
D NameThatIsEvenLonger...
D C 'This is the constant -
D that the name represents.'
* Long name using 1 continued name line:
D NameThatIsSoLongItMustBe...
D Continued S 10A
* Compile-time arrays may have long names:
D CompileTimeArrayContainingDataRepresentingTheNamesOfTheMonthsOf...
D TheYearInGermanLanguage...
D S 20A DIM(12) CTDATA PERRCD(1)
* Long name using 3 continued name lines:
D ThisNameIsSoMuchLongerThanThe...
D PreviousNamesThatItMustBe...
D ContinuedOnSeveralSpecs...
D PR 10A
D parm_1 10A VALUE
*
CL0N01Factor1+++++0opcode(E)+Extended-factor2+++++
C Extended-factor2-+++++
* Long names defined on calc spec:
C LongTagName TAG
C *LIKE DEFINE RatherLongNameQuiteLongName +5
*
PName+++++..B.....Keywords+++++
PContinuedName+++++
* Long name specified on Procedure spec:
P ThisNameIsSoMuchLongerThanThe...
P PreviousNamesThatItMustBe...
P ContinuedOnSeveralSpecs...
P B
D ThisNameIsSoMuchLongerThanThe...
D PreviousNamesThatItMustBe...
D ContinuedOnSeveralSpecs...
D PI 10A
D parm_1 10A VALUE

```

---

## Chapter 13. Control Specifications

The control-specification statements, identified by an H in position 6, provide information about generating and running programs. However, there are three different ways in which this information can be provided to the compiler and the compiler searches for this information in the following order:

1. A control specification included in your source
2. A data area named RPGLEHSPEC in \*LIBL
3. A data area named DFTLEHSPEC in QRPGLE

Once one of these sources is found, the values are assigned and keywords that are not specified are assigned their default values.

See the description of the individual entries for their default values.

**Note:** Compile-option keywords do not have default values. The keyword value is initialized with the value you specify for the CRTBNDRPG or CRTRPGMOD command.

### TIP

The control specification keywords apply at the module level. This means that if there is more than one procedure coded in a module, the values specified in the control specification apply to all procedures.

---

## Using a Data Area as a Control Specification

Use the CL command CRTDTAARA (Create Data Area) to create a data area defined as type \*CHAR. (See the iSeries Information Center programming category for a description of the Create Data Area command.) Enter the keywords and their possible parameters that are to be used in the Initial Value field of the command.

For example, to create an RPGLEHSPEC data area that will specify a default date format of \*YMD, and a default date separator /, you would enter:

```
CRTDTAARA DTAARA(MYLIB/RPGLEHSPEC)
 TYPE(*CHAR)
 LEN(80)
 VALUE('datfmt(*ymd) datedit(*ymd/)')
```

The data area can be whatever size is required to accommodate the keywords specified. The entire length of the data area can only contain keywords.

---

## Control-Specification Statement

The control specification consists solely of keywords. The keywords can be placed anywhere between positions 7 and 80. Positions 81-100 can be used for comments.

## Control-Specification Statement

```
*.. 1 ...+... 2 ...+... 3 ...+... 4 ...+... 5 ...+... 6 ...+... 7 ...+... 8 ...+... 9 ...+... 10
HKeywords+++++Comments+++++
```

Figure 104. Control-Specification Layout

The following is an example of a control specification.

```
*.. 1 ...+... 2 ...+... 3 ...+... 4 ...+... 5 ...+... 6 ...+... 7 ...+... 8
HKeywords+++++
H ALTSEQ(*EXT) CURSYM('$') DATEDIT(*MDY) DATFMT(*MDY/) DEBUG(*YES)
H DEEDIT('.') FORMSALIGN(*YES) FTRANS(*SRC) DFTNAME(name)
H TIMFMT(*ISO)
H COPYRIGHT('C) Copyright ABC Programming - 1995')
```

### Position 6 (Form Type)

An H must appear in position 6 to identify this line as the control specification.

### Positions 7-80 (Keywords)

The control-specification keywords are used to determine how the program will deal with devices and how certain types of information will be represented.

The control-specification keywords also include compile-option keywords that override the default or specified options on the CRTBNDRPG and CRTRPGMOD commands. These keywords determine the compile options to be used on every compile of the program.

---

## Control-Specification Keywords

Control-specification keywords may have no parameters, optional parameters, or required parameters. The syntax for keywords is as follows:

```
Keyword(parameter1 : parameter2)
```

where:

- Parameter(s) are enclosed in parentheses ( ).

**Note:** Do not specify parentheses if there are no parameters.

- Colons (:) are used to separate multiple parameters.

The following notational conventions are used to show which parameters are optional and which are required:

- Braces { } indicate optional parameters or optional elements of parameters.
- An ellipsis (...) indicates that the parameter can be repeated.
- A colon (:) separates parameters and indicates that more than one may be specified. All parameters separated by a colon are required unless they are enclosed in braces.
- A vertical bar (|) indicates that only one parameter may be specified for the keyword.
- A blank separating keyword parameters indicates that one or more of the parameters may be specified.

**Note:** Braces, ellipses, and vertical bars are not a part of the keyword syntax and should not be entered into your source.

If additional space is required for control-specification keywords, the keyword field can be continued on subsequent lines. See “Control-Specification Statement” on page 245 and “Control Specification Keyword Field” on page 241.

## ACTGRP(\*NEW | \*CALLER | 'activation-group-name')

The ACTGRP keyword allows you to specify the activation group the program is associated with when it is called. If ACTGRP(\*NEW) is specified, then the program is activated into a new activation group. If ACTGRP(\*CALLER) is specified, then the program is activated into the caller’s activation group. If an activation-group-name is specified, then that name is used when this program is called.

If the ACTGRP keyword is not specified, then the value specified on the command is used.

The ACTGRP keyword is valid only if the CRTBNDRPG command is used.

You cannot use the ACTGRP or BNDDIR keywords when creating a program with DFTACTGRP(\*YES).

#  
#  
#  
#  
#  
#

**Note:** The name of the activation group created when the program is called will have exactly the same case as the text entered for the activation-group-name. The RCLACTGRP command does not allow lower-case text to be specified for its ACTGRP parameter. If it is required to reclaim an activation group individually using the RCLACTGRP command then do not enter lower-case case text for the activation-group-name.

## ALTSEQ{(\*NONE | \*SRC | \*EXT)}

The ALTSEQ keyword indicates whether an alternate collating sequence is used, if so, whether it is internal or external to the source. The following list shows what happens for the different possible keyword and parameter combinations.

### Keyword/Parameter

#### Collating Sequence Used

#### ALTSEQ not specified

Normal collating sequence

#### ALTSEQ(\*NONE)

Normal collating sequence

#### ALTSEQ, no parameters

Alternate collating sequence specified in source

#### ALTSEQ(\*SRC)

Alternate collating sequence specified in source

#### ALTSEQ(\*EXT)

Alternate collating sequence specified by the SRTSEQ and LANGID command parameters or keywords.

If ALTSEQ is not specified or specified with \*NONE or \*EXT, an alternate collating sequence table must not be specified in the program.

## ALWNULL(\*NO | \*INPUTONLY | \*USRCTL)

The ALWNULL keyword specifies how you will use records containing null-capable fields from externally described database files.

## Control-Specification Keywords

If ALWNULL(\*NO) is specified, then you cannot process records with null-value fields from externally described files. If you attempt to retrieve a record containing null values, no data in the record will be accessible and a data-mapping error will occur.

If ALWNULL(\*INPUTONLY) is specified, then you can successfully read records with null-capable fields containing null values from externally described input-only database files. When a record containing null values is retrieved, no data-mapping errors will occur and the database default values are placed into any fields that contain null values. However, you cannot do any of the following:

- Use null-capable key fields
- Create or update records containing null-capable fields
- Determine whether a null-capable field is actually null while the program is running
- Set a null-capable field to be null.

If ALWNULL(\*USRCTL) is specified, then you can read, write, and update records with null values from externally described database files. Records with null keys can be retrieved using keyed operations. You can determine whether a null-capable field is actually null, and you can set a null-capable field to be null for output or update. You are responsible for ensuring that fields containing null values are used correctly.

If the ALWNULL keyword is not specified, then the value specified on the command is used.

For more information, see “Database Null Value Support” on page 209

## **AUT(\*LIBRCRTAUT | \*ALL | \*CHANGE | \*USE | \*EXCLUDE | 'authorization-list-name')**

The AUT keyword specifies the authority given to users who do not have specific authority to the object, who are not on the authorization list, and whose user group has no specific authority to the object. The authority can be altered for all users or for specified users after the object is created with the CL commands Grant Object Authority (GRTOBJAUT) or Revoke Object Authority (RVKOBJAUT).

If AUT(\*LIBRCRTAUT) is specified, then the public authority for the object is taken from the CRTAUT keyword of the target library (the library that contains the object). The value is determined when the object is created. If the CRTAUT value for the library changes after the create, the new value will not affect any existing objects.

If AUT(\*ALL) is specified, then authority is provided for all operations on the object, except those limited to the owner or controlled by authorization list management authority. The user can control the object's existence, specify this security for it, change it, and perform basic functions on it, but cannot transfer its ownership.

If AUT(\*CHANGE) is specified, then it provides all data authority and the authority to perform all operations on the object except those limited to the owner or controlled by object authority and object management authority. The user can change the object and perform basic functions on it.

If AUT(\*USE) is specified, then it provides object operational authority and read authority; that is, authority for basic operations on the object. The user is prevented from changing the object.

If AUT(\*EXCLUDE) is specified, then it prevents the user from accessing the object.

The authorization-list-name is the name of an authorization list of users and authorities to which the object is added. The object will be secured by this authorization list, and the public authority for the object will be set to \*AUTL. The authorization list must exist on the system at compilation time.

If the AUT keyword is not specified, then the value specified on the command is used.

### **BNDDIR('binding-directory-name' {'binding-directory-name'...})**

The BNDDIR keyword specifies the list of binding directories that are used in symbol resolution.

A binding directory name can be qualified by a library name followed by a slash delimiter ('library-name/binding-directory-name'). The library name is the name of the library to be searched. If the library name is not specified, \*LIBL is used to find the binding directory name. When creating a program using CRTBNDRPG, the library list is searched at the time of the compile. When creating a module using CRTRPGMOD, the library list is searched when the module is used to create a program or service program.

If BNDDIR is specified on both the control specification and on the command, all binding directories are used for symbol resolution. The BNDDIR on the control specification does not override the BNDDIR on the command.

If the BNDDIR keyword is not specified, then the value specified on the command is used.

You cannot use the BNDDIR or ACTGRP command parameters or keywords when creating a program with DFTACTGRP(\*YES).

### **CCSID(\*GRAPH : parameter | \*UCS2 : number | \*CHAR : \*JOB RUN)**

CCSID(\*GRAPH) and CCSID(\*UCS2) set the default graphic (\*GRAPH) and UCS-2 (\*UCS2) CCSIDs for the module. These defaults are used for literals, compile-time data, program-described input and output fields, and data definitions that do not have the CCSID keyword coded.

CCSID(\*CHAR) sets the CCSID used for the module's character data at runtime.

#### **CCSID(\*GRAPH : \*IGNORE | \*SRC | number)**

Sets the default graphic CCSID for the module. The possible values are:

##### **\*IGNORE**

This is the default. No conversions are allowed between graphic and UCS-2 fields in the module. The %GRAPH built-in function cannot be used.

## Control-Specification Keywords

### **\*SRC**

The graphic CCSID associated with the CCSID of the source file will be used.

### **number**

A graphic CCSID. A valid graphic CCSID is 65535 or a CCSID with the EBCDIC double-byte encoding scheme (X'1200').

### **CCSID(\*UCS2 : number)**

Sets the default UCS-2 CCSID for the module. If this keyword is not specified, the default UCS-2 CCSID is 13488.

**number** must be a UCS-2 CCSID. A valid UCS-2 CCSID has the UCS-2 encoding scheme (x'7200').

If **CCSID(\*GRAPH : \*SRC)** or **CCSID(\*GRAPH : number)** is specified:

- Graphic and UCS-2 fields in externally-described data structures will use the CCSID in the external file.
- Program-described graphic or UCS-2 fields will default to the graphic or UCS-2 CCSID of the module, respectively. This specification can be overridden by using the **CCSID(number)** keyword on the definition of the field. (See “**CCSID(number | \*DFT)**” on page 300.)
- Program-described graphic or UCS-2 input and output fields and keys are assumed to have the module's default CCSID.

### **CCSID(\*CHAR : \*JOB RUN)**

When **CCSID(\*CHAR:\*JOB RUN)** is specified, character data will be assumed to be in the job CCSID at runtime. The character X'0E' will be assumed to be a shift-out character only if the runtime job CCSID is a mixed-byte CCSID.

When **CCSID(\*CHAR : \*JOB RUN)** is not specified, character data will be assumed to be in the mixed-byte CCSID related to the job CCSID. If the character X'0E' appears in character data, it will be interpreted as a shift-out character. This may cause incorrect results when character data is converted to UCS-2 data.

**Note:** Specifying **CCSID(\*CHAR:\*JOB RUN)** does not change the behaviour of the compiler with respect to character literals containing X'0E'. When a character literal contains X'0E', the compiler will always treat it as a shift-out character, independent of the **CCSID(\*CHAR)** keyword.

## **COPYNEST(number)**

The **COPYNEST** keyword specifies the maximum depth to which nesting can occur for **/COPY** directives. The depth must be greater than or equal to 1 and less than or equal to 2048. The default depth is 32.

## **COPYRIGHT('copyright string')**

The **COPYRIGHT** keyword provides copyright information that can be seen using the **DSPMOD**, **DSPPGM**, or **DSPSRVPGM** commands. The copyright string is a character literal with a maximum length of 256. The literal may be continued on a continuation specification. (See “Continuation Rules” on page 239 for rules on using continuation lines.) If the **COPYRIGHT** keyword is not specified, copyright information is not added to the created module or program.



**TIP**

To see the copyright information for a module, use the command:

```
DSPMOD mylib/mymod DETAIL(*COPYRIGHT)
```

For a program, use the DSPPGM command with DETAIL(\*COPYRIGHT). This information includes the copyright information from all modules bound into the program.

Similarly, DSPSRVPGM DETAIL(\*COPYRIGHT) gives the copyright information for all modules in a service program.

**CURSYM('sym')**

The CURSYM keyword specifies a character used as a currency symbol in editing. The symbol must be a single character enclosed in quotes. Any character in the RPG character set (see Chapter 1, "Symbolic Names and Reserved Words," on page 3) may be used except:

- 0 (zero)
- \* (asterisk)
- , (comma)
- & (ampersand)
- . (period)
- – (minus sign)
- C (letter C)
- R (letter R)
- Blank

If the keyword is not specified, \$ (dollar sign) will be used as the currency symbol.

**CVTOPT(\*{NO}DATETIME \*{NO}GRAPHIC \*{NO}VARCHAR \*{NO}VARGRAPHIC)**

The CVTOPT keyword is used to determine how the ILE RPG compiler handles date, time, timestamp, graphic data types, and variable-length data types that are retrieved from externally described database files.

You can specify any or all of the data types in any order. However, if a data type is specified, the \*NOxxx parameter for the same data type cannot also be used, and vice versa. For example, if you specify \*GRAPHIC you cannot also specify \*NOGRAPHIC, and vice versa. Separate the parameters with a colon. A parameter cannot be specified more than once.

**Note:** If the keyword CVTOPT does not contain a member from a pair, then the value specified on the command for this particular data type will be used. For example, if the keyword CVTOPT(\*DATETIME : \*NOVARCHAR : \*NOVARGRAPHIC) is specified on the Control specification, then for the pair (\*GRAPHIC, \*NOGRAPHIC), whatever was specified implicitly or explicitly on the command will be used.

If \*DATETIME is specified, then date, time, and timestamp data types are declared as fixed-length character fields.

## Control-Specification Keywords

If \*NODATETIME is specified, then date, time, and timestamp data types are not converted.

If \*GRAPHIC is specified, then double-byte character set (DBCS) graphic data types are declared as fixed-length character fields.

If \*NOGRAPHIC is specified, then double-byte character set (DBCS) graphic types are not converted.

If \*VARCHAR is specified, then variable-length character data types are declared as fixed-length character fields.

If \*NOVARCHAR is specified, then variable-length character data types are not converted.

If \*VARGRAPHIC is specified, then variable-length double-byte character set (DBCS) graphic data types are declared as fixed-length character fields.

If \*NOVARGRAPHIC is specified, then variable-length double-byte character set (DBCS) graphic data types are not converted.

If the CVTOPT keyword is not specified, then the values specified on the command are used.

### DATEDIT(fmt{separator})

The DATEDIT keyword specifies the format of numeric fields when using the Y edit code. The separator character is optional. The value (fmt) can be \*DMY, \*MDY, or \*YMD. The default separator is /. A separator character of & (ampersand) may be used to specify a blank separator.

### DATFMT(fmt{separator})

The DATFMT keyword specifies the internal date format for date literals and the default internal format for date fields within the program. You can specify a different internal date format for a particular field by specifying the format with the DATFMT keyword on the definition specification for that field.

If the DATFMT keyword is not specified, the \*ISO format is assumed. For more information on internal formats, see "Internal and External Formats" on page 169. Table 27 on page 196 describes the various date formats and their separators.

### DEBUG{(\*INPUT | \*DUMP | \*XMLSAX | \*NO | \*YES)}

The DEBUG keyword controls what debugging aids are generated into the module.

When the DEBUG keyword is specified with one or more of the \*INPUT, DUMP or \*XMLSAX parameters, you can choose exactly which debugging aids are to be generated into the module. When the DEBUG keyword is specified with \*YES or \*NO, no other parameters can be specified.

#### \*INPUT

All externally described input fields will be read during input operations even if they are not used in the program. Normally, externally described input fields are only read during input operations if the field is otherwise used within the program.

**\*DUMP**

DUMP operations are performed.

**Note:** You can force a DUMP operation to be performed by specifying operation extender A on the DEBUG operation code. This operation extender means that a dump is always performed, regardless of the value of the DEBUG keyword.

**\*XMLSAX**

An array with the name `_QRNU_XMLSAX` will be generated into the module if it has a debug view (if it is compiled with a value for the `DBGVIEW` parameter other than `*NONE`). The values of the array will be the names of the `*XML` special words, without the `"*XML_"` prefix. For example, if `*XML_START_DOCUMENT` has the value 1, `_QRNU_XMLSAX(1)` will have the value `"START_DOCUMENT"`.

Sample debug session:

```
> EVAL event
EVENT = 2
> EVAL _QRNU_XMLSAX(event)
_QRNU_XMLSAX(EVENT) = 'END_DOCUMENT'
```

Specifying the `DEBUG` keyword with `*NO` indicates that no debugging aids should be generated into the module. This is the same as omitting the `DEBUG` keyword entirely. No other parameters can be specified when `*NO` is specified.

Specifying the `DEBUG` keyword with `*YES` or with no parameters is the same as specifying `DEBUG(*INPUT : *DUMP)`. No other parameters can be specified when `*YES` is specified. The value `*YES` is retained for compatibility; it is preferable to specify the more granular values `*INPUT`, `*DUMP` and `*XMLSAX`.

**Examples:**

- \* 1. All of the debugging aids are available  
**H DEBUG(\*INPUT : \*DUMP : \*XMLSAX)**
- \* 2. None of the debugging aids are available  
**H DEBUG(\*NO)**
- \* 3. Only the debugging aid related to input fields is available  
**H DEBUG(\*INPUT)**
- \* 4. The debugging aids related to the DUMP operation and to XML-SAX parsing are available  
**H DEBUG(\*XMLSAX : \*DUMP)**

**Note:** The `DEBUG` keyword does not control whether the module is created to be debuggable. That is controlled by the `DBGVIEW` parameter for the `CRTBNDRPG` or `CRTRPGMOD` command. The `DEBUG` keyword controls additional debugging aids.

**DECEDIT(\*JOB RUN | 'value')**

The `DECEDIT` keyword specifies the character used as the decimal point for edited decimal numbers and whether or not leading zeros are printed.

If `*JOB RUN` is specified, the `DECfmt` value associated with the job at runtime is used. The possible job decimal formats are listed in the following table:

Table 37. *DECEDIT* with *\*JOB RUN*

| Job Decimal Format | Decimal Point | Print Leading Zeros | Edited Decimal Number |
|--------------------|---------------|---------------------|-----------------------|
| blank              | period (.)    | No                  | .123                  |

## Control-Specification Keywords

Table 37. DECEDIT with \*JOB RUN (continued)

| Job | Decimal Format | Decimal Point | Print Leading Zeros | Edited Decimal Number |
|-----|----------------|---------------|---------------------|-----------------------|
| I   |                | comma (,)     | No                  | ,123                  |
| J   |                | comma (,)     | Yes                 | 0,123                 |

If a value is specified, then the edited decimal numbers are printed according to the following possible values:

Table 38. DECEDIT with 'value'

| 'Value' | Decimal Point | Print Leading Zeros | Edited Decimal Number |
|---------|---------------|---------------------|-----------------------|
| '.'     | period (.)    | No                  | .123                  |
| ','     | comma (,)     | No                  | ,123                  |
| '0.'    | period (.)    | Yes                 | 0.123                 |
| '0,'    | comma (,)     | Yes                 | 0,123                 |

If DECEDIT is not specified, a period (.) is used for editing numeric values.

**Note:** Zeros to the right of a decimal point are always printed.

### DECPREC(30|31|63)

Keyword DECPREC is used to specify the decimal precision of decimal (packed, zoned, or binary) intermediate values in arithmetic operations in expressions. Decimal intermediate values are always maintained in the proper precision, but this keyword affects how decimal expressions are presented when used in %EDITC, %EDITW, %CHAR, %LEN, and %DECPOS.

#### DECPREC(30)

The default decimal precision. It indicates that the maximum precision of decimal values when used in the affected operations is 30 digits. However, if at least one operand in the expression is a decimal variable with 31 digits, DECPREC(31) is assumed for that expression. If at least one operand in the expression is a decimal variable with 32 or more digits, DECPREC(63) is assumed for that expression.

#### DECPREC(31)

The maximum precision of decimal values when used in the affected operations is 31 digits. However, if at least one operand in the expression is a decimal variable with 32 digits or more, DECPREC(63) is assumed for that expression.

#### DECPREC(63)

The number of digits used in the affected operations is always computed following the normal rules for decimal precision, which can be up to the maximum of 63 digits.

### DFACTGRP(\*YES | \*NO)

The DFACTGRP keyword specifies the activation group in which the created program will run when it is called.

If \*YES is specified, then this program will always run in the default activation group, which is the activation group where all original program model (OPM)

programs are run. This allows ILE RPG programs to behave like OPM RPG programs in the areas of file sharing, file scoping, RCLRSC, and handling of unmonitored exceptions. ILE static binding is not available when a program is created with DFTACTGRP(\*YES). This means that you cannot use the BNDDIR or ACTGRP command parameters or keywords when creating this program. In addition, any call operation in your source must call a program and not a procedure. DFTACTGRP(\*YES) is useful when attempting to move an application on a program-by-program basis to ILE RPG.

If \*NO is specified, then the program is associated with the activation group specified by the ACTGRP command parameter or keyword and static binding is allowed. DFTACTGRP(\*NO) is useful when you intend to take advantage of ILE concepts; for example, running in a named activation group or binding to a service program.

If the DFTACTGRP keyword is not specified, then the value specified on the command is used.

The DFTACTGRP keyword is valid only if the CRTBNDRPG command is used.

### **DFTNAME(rpg\_name)**

The DFTNAME keyword specifies a default program or module name. When \*CTLSPEC is specified on the create command, the rpg\_name is used as the program or module name. If rpg\_name is not specified, then the default name is RPGPGM or RPGMOD for a program or module respectively. The RPG rules for names (see "Symbolic Names" on page 3) apply.

### **ENBPFCOL(\*PEP | \*ENTRYEXIT | \*FULL)**

The ENBPFCOL keyword specifies whether performance collection is enabled.

If \*PEP is specified, then performance statistics are gathered on the entry and exit of the program-entry procedure only. This applies to the actual program-entry procedure for an object, not to the main procedure of the object within the object.

If \*ENTRYEXIT is specified, then performance statistics are gathered on the entry and exit of all procedures of the object.

If \*FULL is specified, then performance statistics are gathered on entry and exit of all procedures. Also, statistics are gathered before and after each call to an external procedure.

If the ENBPFCOL keyword is not specified, then the value specified on the command is used.

### **EXPROPTS(\*MAXDIGITS | \*RESDECPOS)**

The EXPROPTS (expression options) keyword specifies the type of precision rules to be used for an entire program. If not specified or specified with \*MAXDIGITS, the default precision rules apply. If EXPROPTS is specified, with \*RESDECPOS, the "Result Decimal Position" precision rules apply and force intermediate results in expressions to have no fewer decimal positions than the result.

**Note:** Operation code extenders R and M are the same as EXPROPTS(\*RESDECPOS) and EXPROPTS(\*MAXDIGITS) respectively, but for single free-form expressions.

### EXTBININT{(\*NO | \*YES)}

The EXTBININT keyword is used to process externally described fields with binary external format and zero decimal positions as if they had an external integer format. If not specified or specified with \*NO, then an externally described binary field is processed with an external binary format. If EXTBININT is specified, optionally with \*YES, then an externally described field is processed as follows:

| DDS Definition                 | RPG external format |
|--------------------------------|---------------------|
| B(n,0) where $1 \leq n \leq 4$ | I(5)                |
| B(n,0) where $5 \leq n \leq 9$ | I(10)               |

By specifying the EXTBININT keyword, your program can make use of the full range of DDS binary values available. (The range of DDS binary values is the same as for signed integers: -32768 to 32767 for a 5-digit field or -2147483648 to 2147483647 for a 10-digit field.)

**Note:** When the keyword EXTBININT is specified, any externally described subfields that are binary with zero decimal positions will be defined with an *internal* integer format.

### FIXNBR(\*{NO}ZONED \*{NO}INPUTPACKED)

The FIXNBR keyword specifies whether decimal data that is not valid is fixed by the compiler.

You can specify any or all of the data types in any order. However, if a decimal data type is specified, the \*NOxxx parameter for the same data type cannot also be used, and vice versa. For example, if you specify \*ZONED you cannot also specify \*NOZONED, and vice versa. Separate the parameters with a colon. A parameter cannot be specified more than once.

**Note:** If the keyword FIXNBR does not contain a member from a pair, then the value specified on the command for this particular data type will be used. For example, if the keyword FIXNBR(\*NOINPUTPACKED) is specified on the Control specification, then for the pair (\*ZONED, \*NOZONED), whatever was specified implicitly or explicitly on the command will be used.

If \*ZONED is specified, then zoned decimal data that is not valid will be fixed by the compiler on the conversion to packed data. Blanks in numeric fields will be treated as zeros. Each decimal digit will be checked for validity. If a decimal digit is not valid, it is replaced with zero. If a sign is not valid, the sign will be forced to a positive sign code of hex 'F'. If the sign is valid, it will be changed to either a positive sign hex 'F' or a negative sign hex 'D', as appropriate. If the resulting packed data is not valid, it will not be fixed.

If \*NOZONED is specified, then zoned decimal data is not fixed by the compiler on the conversion to packed data and will result in decimal errors during runtime if used.

If \*INPUTPACKED is specified, then the internal variable will be set to zero if packed decimal data that is not valid is encountered while processing input specifications.

If `*NOINPUTPACKED` is specified, then decimal errors will occur if packed decimal data that is not valid is encountered while processing input specifications.

If the `FIXNBR` keyword is not specified, then the values specified on the command are used.

### **FLTDIV{(\*NO | \*YES)}**

The `FLTDIV` keyword indicates that all divide operations within expressions are computed in floating point and return a value of type float. If not specified or specified with `*NO`, then divide operations are performed in packed-decimal format (unless one of the two operands is already in float format).

If `FLTDIV` is specified, optionally with `*YES`, then all divide operations are performed in float format (guaranteeing that the result always has 15 digits of precision).

### **FORMSALIGN{(\*NO | \*YES)}**

The `FORMSALIGN` keyword indicates that the first line of an output file conditioned with the `1P` indicator can be printed repeatedly, allowing you to align the printer. If not specified or specified with `*NO`, no alignment will be performed. If specified, optionally with `*YES`, first page forms alignment will occur.

#### **Rules for Forms Alignment**

- The records specified on Output Specifications for a file with a device entry for a printer type device conditioned by the first page indicator (`1P`) may be written as many times as desired. The line will print once. The operator will then have the option to print the line again or continue with the rest of the program.
- All spacing and skipping specified will be performed each time the line is printed.
- When the option to continue with the rest of the program is selected, the line will not be reprinted.
- The function may be performed for all printer files.
- If a page field is specified, it will be incremented only the first time the line is printed.
- When the continue option is selected, the line count will be the same as if the function were performed only once when line counter is specified.

### **FTRANS{(\*NONE | \*SRC)}**

The `FTRANS` keyword specifies whether file translation will occur. If specified, optionally with `*SRC`, file translation will take place and the translate table must be specified in the program. If not specified or specified with `*NONE`, no file translation will take place and the translate table must not be present.

### **GENLVL(number)**

The `GENLVL` keyword controls the creation of the object. The object is created if all errors encountered during compilation have a severity level less than or equal to the generation severity level specified. The value must be between 0 and 20 inclusive. For errors greater than severity 20, the object will not be created.

If the `GENLVL` keyword is not specified, then the value specified on the command is used.

### INDENT(\*NONE | 'character-value')

The INDENT keyword specifies whether structured operations should be indented in the source listing for enhanced readability. It also specifies the characters that are used to mark the structured operation clauses.

**Note:** Any indentation that you request here will not be reflected in the listing debug view that is created when you specify DBGVIEW(\*LIST).

If \*NONE is specified, structured operations will not be indented in the source listing.

If character-value is specified, the source listing is indented for structured operation clauses. Alignment of statements and clauses are marked using the characters you choose. You can choose any character literal up to 2 characters in length.

**Note:** The indentation may not appear as expected if there are errors in the source.

If the INDENT keyword is not specified, then the value specified on the command is used.

### INTPREC(10 | 20)

The INTPREC keyword is used to specify the decimal precision of integer and unsigned intermediate values in binary arithmetic operations in expressions. Integer and unsigned intermediate values are always maintained in 8-byte format. This keyword affects only the way integer and unsigned intermediate values are converted to decimal format when used in binary arithmetic operations (+, -, \*, /).

INTPREC(10), the default, indicates a decimal precision of 10 digits for integer and unsigned operations. However, if at least one operand in the expression is an 8-byte integer or unsigned field, the result of the expression has a decimal precision of 20 digits regardless of the INTPREC value.

INTPREC(20) indicates that the decimal precision of integer and unsigned operations is 20 digits.

### LANGID(\*JOB RUN | \*JOB | 'language-identifier')

The LANGID keyword indicates which language identifier is to be used when the sort sequence is \*LANGIDUNQ or \*LANGIDSHR. The LANGID keyword is used in conjunction with the SRTSEQ command parameter or keyword to select the sort sequence table.

If \*JOB RUN is specified, then the LANGID value associated with the job when the RPG object is executed is used.

If \*JOB is specified, then the LANGID value associated with the job when the RPG object is created is used.

A language identifier can be specified, for example, 'FRA' for French and 'DEU' for German.

If the LANGID keyword is not specified, then the value specified on the command is used.



**NOMAIN**

The NOMAIN keyword indicates that there is no main procedure in this module. It also means that the module in which it is coded cannot be an entry module. Consequently, if NOMAIN is specified, then you cannot use the CRTBNDRPG command to create a program. Instead you must either use the CRTPGM command to bind the module with NOMAIN specified to another module that has a program entry procedure or you must use the CRTSRVPGM command.

When NOMAIN is specified, only the \*INIT portion of the cycle is generated for the module. This means that the following types of specifications are not allowed:

- Primary and secondary files
- Detail and total output
- Executable calculations

**OPENOPT (\*NOINZOFL | \*INZOFL)**

For a program that has one or more printer files defined with an overflow indicator (OA-OG or OV), the OPENOPT keyword specifies whether the overflow indicator should be reset to \*OFF when the file is opened. If the OPENOPT keyword is specified, with \*NOINZOFL, the overflow indicator will remain unchanged when the associated printer file is opened. If not specified or specified with \*INZOFL, the overflow indicator will be set to \*OFF when the associated printer file is opened.

**OPTIMIZE(\*NONE | \*BASIC | \*FULL)**

The OPTIMIZE keyword specifies the level of optimization, if any, of the object.

If \*NONE is specified, then the generated code is not optimized. This is the fastest in terms of translation time. It allows you to display and modify variables while in debug mode.

If \*BASIC is specified, it performs some optimization on the generated code. This allows user variables to be displayed but not modified while the program is in debug mode.

If \*FULL is specified, then the most efficient code is generated. Translation time is the longest. In debug mode, user variables may not be modified but may be displayed, although the presented values may not be the current values.

If the OPTIMIZE keyword is not specified, then the value specified on the command is used.

**OPTION(\*{NO}XREF \*{NO}GEN \*{NO}SECLVL \*{NO}SHOWCPY \*{NO}EXPDDS \*{NO}EXT \*{NO}SHOWSKP) \*{NO}SRCSTMT) \*{NO}DEBUGIO)**

The OPTION keyword specifies the options to use when the source member is compiled.

You can specify any or all of the options in any order. However, if a compile option is specified, the \*NOxxx parameter for the same compile option cannot also be used, and vice versa. For example, if you specify \*XREF you cannot also specify \*NOXREF, and vice versa. Separate the options with a colon. You cannot specify an option more than once.

## Control-Specification Keywords

**Note:** If the keyword OPTION does not contain a member from a pair, then the value specified on the command for this particular option will be used. For example, if the keyword OPTION(\*XREF : \*NOGEN : \*NOSECLVL : \*SHOWCPY) is specified on the Control specification, then for the pairs, (\*EXT, \*NOEXT), (\*EXPDDS, \*NOEXPDDS) and (\*SHOWSKP, \*NOSHOWSKP), whatever was specified implicitly or explicitly on the command will be used.

If \*XREF is specified, a cross-reference listing is produced (when appropriate) for the source member. \*NOXREF indicates that a cross-reference listing is not produced.

If \*GEN is specified, a program object is created if the highest severity level returned by the compiler does not exceed the severity specified in the GENLVL option. \*NOGEN does not create an object.

If \*SECLVL is specified, second-level message text is printed on the line following the first-level message text in the Message Summary section. \*NOSECLVL does not print second-level message text on the line following the first-level message text.

If \*SHOWCPY is specified, the compiler listing shows source records of members included by the /COPY compiler directive. \*NOSHOWCPY does not show source records of members included by the /COPY compiler directive.

If \*EXPDDS is specified, the expansion of externally described files in the listing and key field information is displayed. \*NOEXPDDS does not show the expansion of externally described files in the listing or key field information.

If \*EXT is specified, the external procedures and fields referenced during the compile are included on the listing. \*NOEXT does not show the list of external procedures and fields referenced during compile on the listing.

If \*SHOWSKP is specified, then all statements in the source part of the listing are displayed, regardless of whether or not the compiler has skipped them. \*NOSHOWSKP does not show skipped statements in the source part of the listing. The compiler skips statements as a result of /IF, /ELSEIF, or /ELSE directives.

If \*SRCSTMT is specified, statement numbers for the listing are generated from the source ID and SEU sequence numbers as follows:

$$\text{stmt\_num} = \text{source\_ID} * 1000000 + \text{source\_SEU\_sequence\_number}$$

For example, the main source member has a source ID of 0. If the first line in the source file has sequence number 000100, then the statement number for this specification would be 100. A line from a /COPY file member with source ID 27 and source sequence number 000100 would have statement number 27000100. \*NOSRCSTMT indicates that line numbers are assigned sequentially.

If \*DEBUGIO is specified, breakpoints are generated for all input and output specifications. \*NODEBUGIO indicates that no breakpoints are to be generated for these specifications.

If the OPTION keyword is not specified, then the values specified on the command are used.

**PRFDTA(\*NOCOL | \*COL)**

The PRFDTA keyword specifies whether the collection of profiling data is enabled.

If \*NOCOL is specified, the collection of profiling data is not enabled for this object.

If \*COL is specified, the collection of profiling is enabled for this object. \*COL can be specified only when the optimization level of the object is \*FULL.

If the PRFDTA keyword is not specified, then the value specified on the command is used.

**SRTSEQ(\*HEX | \*JOB | \*JOB RUN | \*LANGIDUNQ | \*LANGIDSHR | 'sort-table-name')**

The SRTSEQ keyword specifies the sort sequence table that is to be used in the ILE RPG source program.

If \*HEX is specified, no sort sequence table is used.

If \*JOB is specified, the SRTSEQ value for the job when the \*PGM is created is used.

If \*JOB RUN is specified, the SRTSEQ value for the job when the \*PGM is run is used.

If \*LANGIDUNQ is specified, a unique-weight table is used. This special value is used in conjunction with the LANGID command parameter or keyword to determine the proper sort sequence table.

If \*LANGIDSHR is specified, a shared-weight table is used. This special value is used in conjunction with the LANGID command parameter or keyword to determine the proper sort sequence table.

A sort table name can be specified to indicate the name of the sort sequence table to be used with the object. It can also be qualified by a library name followed by a slash delimiter ('library-name/sort-table-name'). The library-name is the name of the library to be searched. If a library name is not specified, \*LIBL is used to find the sort table name.

If you want to use the SRTSEQ and LANGID parameters to determine the alternate collating sequence, you must also specify ALTSEQ(\*EXT) on the control specification.

If the SRTSEQ keyword is not specified, then the value specified on the command is used.

**TEXT(\*SRCMBRTXT | \*BLANK | 'description')**

The TEXT keyword allows you to enter text that briefly describes the object and its function. The text is used when creating the object and appears when object information is displayed.

If \*SRCMBRTXT is specified, the text of the source member is used.

If \*BLANK is specified, no text will appear.

## Control-Specification Keywords

If a literal is specified, it can be a maximum of 50 characters and must be enclosed in apostrophes. (The apostrophes are not part of the 50-character string.)

If the TEXT keyword is not specified, then the value specified on the command is used.

### THREAD(\*SERIALIZE)

The THREAD(\*SERIALIZE) keyword indicates that the ILE RPG module created may run in a multithreaded environment, safely. Access to the procedures in the module is serialized. When called in a multithreaded environment, any code within the module can be used by at most one thread at a time.

Normally, running an application in multiple threads can improve the performance of the application. In the case of ILE RPG, this is not true in general. In fact, the performance of a multithreaded application could be worse than that of a single-thread version when the thread-safety is achieved by serialization of the procedures at the module level.

Running ILE RPG procedures in a multithreaded environment is only recommended when required by other aspects of the application (for example, when writing a Domino exit program or when calling a short-running RPG procedure from Java). For long-running RPG programs called from Java, we recommend using a separate process for the RPG program.

For a list of system functions that are not allowed or supported in a multithreaded environment, refer to the Multithreaded Applications document under the Programming topic at the following URL:

<http://www.as400.ibm.com/infocenter/>

You cannot use the following in a thread-safe program:

- \*INUx indicators
- External indicators (\*INU1 - \*INU8)
- The LR indicator for the CALL or CALLB operation

When using the THREAD(\*SERIALIZE) keyword, remember the following:

- It is up to the programmer to ensure that storage that is shared across modules is used in a thread-safe manner. This includes:
  - Storage explicitly shared by being exported and imported.
  - Storage shared because a procedure saves the address of a parameter or a pointer parameter, or allocated storage, and uses it on a subsequent call.
- If shared files are used by more than one language (RPG and C, or RPG and COBOL), ensure that only one language is accessing the file at one time.

### TIMFMT(fmt{separator})

The TIMFMT keyword specifies the internal time format for time literals and the default internal format for time fields within the program. You can specify a different internal time format for a particular field by specifying the format with the TIMFMT keyword on the definition specification for that field.

If the TIMFMT keyword is not specified the \*ISO format is assumed. For more information on internal formats, see “Internal and External Formats” on page 169.

Table 30 on page 198 shows the time formats supported and their separators.

**TRUNCNBR(\*YES | \*NO)**

The TRUNCNBR keyword specifies if the truncated value is moved to the result field or if an error is generated when numeric overflow occurs while running the object.

**Note:** The TRUNCNBR option does not apply to calculations performed within expressions. (Expressions are found in the Extended-Factor 2 field.) If overflow occurs for these calculations, an error will always occur.

If \*YES is specified, numeric overflow is ignored and the truncated value is moved to the result field.

If \*NO is specified, a run-time error is generated when numeric overflow is detected.

If the TRUNCNBR keyword is not specified, then the value specified on the command is used.

**USRPRF(\*USER | \*OWNER)**

The USRPRF keyword specifies the user profile that will run the created program object. The profile of the program owner or the program user is used to run the program and to control which objects can be used by the program (including the authority the program has for each object). This keyword is not updated if the program already exists.

If \*USER is specified, the user profile of the program's user will run the created program object.

If \*OWNER is specified, the user profiles of both the program's user and owner will run the created program object. The collective set of object authority in both user profiles is used to find and access objects while the program is running. Any objects created during the program are owned by the program's user.

If the USRPRF keyword is not specified, then the value specified on the command is used.

The USRPRF keyword is valid only if the CRTBNDRPG command is used.

## Control-Specification Keywords

---

## Chapter 14. File Description Specifications

File description specifications identify each file used by a program. Each file in a program must have a corresponding file description specification statement.

A file can be either program-described or externally described. In program-described files, record and field descriptions are included within the RPG program (using input and output specifications). Externally described files have their record and field descriptions defined externally using DDS, DSU, IDDU, or SQL commands. (DSU is part of the CODE/400 product.)

The following limitations apply per program:

- Only one primary file can be specified. The presence of a primary file is not required.
- Only one record-address file.
- A maximum of eight PRINTER files.
- There is no limit for the maximum number of files allowed.

---

### File Description Specification Statement

The general layout for the file description specification is as follows:

- the file description specification type (F) is entered in position 6
- the non-commentary part of the specification extends from position 7 to position 80
  - the fixed-format entries extend from positions 7 to 42
  - the keyword entries extend from positions 44 to 80
- the comments section of the specification extends from position 81 to position 100

```
*.. 1 ...+... 2 ...+... 3 ...+... 4 ...+... 5 ...+... 6 ...+... 7 ...+... 8 ...+... 9 ...+... 10
Ffilename++IPEASFRlen+LKlen+AIDevice+.Keywords+++++++Comments+++++++
```

Figure 105. File Description Specification Layout

### File-Description Keyword Continuation Line

If additional space is required for keywords, the keywords field can be continued on subsequent lines as follows:

- position 6 of the continuation line must contain an F
- positions 7 to 43 of the continuation line must be blank
- the specification continues on or past position 44

```
*.. 1 ...+... 2 ...+... 3 ...+... 4 ...+... 5 ...+... 6 ...+... 7 ...+... 8 ...+... 9 ...+... 10
F.....Keywords+++++++Comments+++++++
```

Figure 106. File-Description Keyword Continuation Line Layout

### Position 6 (Form Type)

An F must be entered in this position for file description specifications.

### Positions 7-16 (File Name)

| Entry | Explanation |
|-------|-------------|
|-------|-------------|

#### A valid file name

Every file used in a program must have a unique name. The file name can be from 1 to 10 characters long, and must begin in position 7.

At compile time:

- If the file is program-described, the file named in position 7 does not need to exist.
- If the file is externally-described, the file named in position 7 must exist but you can use an i5/OS system override command to associate the name to a file defined to the i5/OS system.

At run time:

- If you use the EXTFILE keyword, the EXTMBR keyword, or both, RPG will open the file named in these keywords.
- Otherwise, RPG will open the file named in position 7. This file (or an overridden file) must exist when the file is opened.
- If an i5/OS system override command has been used for the file that RPG opens, that override will take effect and the actual file opened will depend on the override. See the "EXTFILE(filename)" on page 278 keyword for more information about how overrides interact with this keyword.

When files that are not defined by the USROPN keyword are opened at run time, they are opened in the reverse order to that specified in the file description specifications. The RPG IV device name defines the operations that can be processed on the associated file.

#### Program-Described File

For program-described files, the file name entered in positions 7 through 16 must also be entered on:

- Input specifications if the file is a primary, secondary, or full procedural file
- Output specifications or an output calculation operation line if the file is an output, update, or combined file, or if file addition is specified for the file
- Definition specifications if the file is a table or array file.
- Calculation specifications if the file name is required for the operation code specified

#### Externally-Described File

For externally described files, the file name entered in positions 7 through 16 is the name used to locate the record descriptions for the file. The following rules apply to externally described files:

- Input and output specifications for externally described files are optional. They are required only if you are adding RPG IV functions, such as control fields or record identifying indicators, to the external description retrieved.
- When an external description is retrieved, the record definition can be referred to by its record format name on the input, output, or calculation specifications.



- A record format name must be a unique symbolic name.
- RPG IV does not support an externally described logical file with two record formats of the same name. However, such a file can be accessed if it is program described.

### Position 17 (File Type)

| Entry | Explanation                   |
|-------|-------------------------------|
| I     | Input file                    |
| O     | Output file                   |
| U     | Update file                   |
| C     | Combined (input/output) file. |

#### Input Files

An input file is one from which a program reads information. It can contain data records, arrays, or tables, or it can be a record-address file.

#### Output Files

An output file is a file to which information is written.

#### Update Files

An update file is an input file whose records can be read and updated. Updating alters the data in one or more fields of any record contained in the file and writes that record back to the same file from which it was read. If records are to be deleted, the file must be specified as an update file.

#### Combined Files

A combined file is both an input file and an output file. When a combined file is processed, the output record contains only the data represented by the fields in the output record. This differs from an update file, where the output record contains the input record modified by the fields in the output record.

A combined file is valid for a SPECIAL or WORKSTN file. A combined file is also valid for a DISK or SEQ file if position 18 contains T (an array or table replacement file).

### Position 18 (File Designation)

| Entry | Explanation          |
|-------|----------------------|
| Blank | Output file          |
| P     | Primary file         |
| S     | Secondary file       |
| R     | Record address file  |
| T     | Array or table file  |
| F     | Full procedural file |

You cannot specify P, S, or R if the keyword NOMAIN is specified on a control specification.

## File Description Specification Statement

### Primary File

When several files are processed by cycle processing, one must be designated as the primary file. In multi-file processing, processing of the primary file takes precedence. Only one primary file is allowed per program.

### Secondary File

When more than one file is processed by the RPG cycle, the additional files are specified as secondary files. Secondary files must be input capable (input, update, or combined file type). The processing of secondary files is determined by the order in which they are specified in the file description specifications and by the rules of multi-file logic.

### Record Address File (RAF)

A record-address file is a sequentially organized file used to select records from another file. Only one file in a program can be specified as a record-address file. This file is described on the file description specification and not on the input specifications. A record-address file must be program-described; however, a record-address file can be used to process a program described file or an externally described file.

The file processed by the record-address file must be a primary, secondary, or full-procedural file, and must also be specified as the parameter to the RAFDATA keyword on the file description specification of the record-address file.

You cannot specify a record-address file for the device SPECIAL.

UCS-2 fields are not allowed as the record address type for record address files.

A record-address file that contains relative-record numbers must also have a T specified in position 35 and an F in position 22.

### Array or Table File

Array and table files specified by a T in position 18 are loaded at program initialization time. The array or table file can be input or combined. Leave this entry blank for array or table output files. You cannot specify SPECIAL as the device for array and table input files. You cannot specify an externally described file as an array or table file.

If T is specified in position 18, you can specify a file type of combined (C in position 17) for a DISK or SEQ file. A file type of combined allows an array or table file to be read from or written to the same file (an array or table replacement file). In addition to a C in position 17, the filename in positions 7-16 must also be specified as the parameter to the TOFILE keyword on the definition specification.

### Full Procedural File

A full procedural file is not processed by the RPG cycle: input is controlled by calculation operations. File operation codes such as CHAIN or READ are used to do input functions.

## Position 19 (End of File)

| Entry | Explanation |
|-------|-------------|
|-------|-------------|

|   |                                                                                                                                               |
|---|-----------------------------------------------------------------------------------------------------------------------------------------------|
| E | All records from the file must be processed before the program can end. This entry is not valid for files processed by a record-address file. |
|---|-----------------------------------------------------------------------------------------------------------------------------------------------|

## File Description Specification Statement

All records from all files which use this option must be processed before the LR indicator is set on by the RPG cycle to end the program.

**Blank** If position 19 is blank for all files, all records from all files must be processed before end of program (LR) can occur. If position 19 is not blank for all files, all records from this file may or may not be processed before end of program occurs in multi-file processing.

Use position 19 to indicate whether the program can end before all records from the file are processed. An E in position 19 applies only to input, update, or combined files specified as primary, secondary, or record-address files.

If the records from all primary and secondary files must be processed, position 19 must be blank for all files or must contain E's for all files. For multiple input files, the end-of-program (LR) condition occurs when all input files for which an E is specified in position 19 have been processed. If position 19 is blank for all files, the end-of-program condition occurs when all input files have been processed.

When match fields are specified for two or more files and an E is specified in position 19 for one or more files, the LR indicator is set on after:

- The end-of-file condition occurs for the last file with an E specified in position 19.
- The program has processed all the records in other files that match the last record processed from the primary file.
- The program has processed the records in those files without match fields up to the next record with non-matching match fields.

When no file or only one file contains match field specifications, no records of other files are processed after end of file occurs on all files for which an E is specified in position 19.

### Position 20 (File Addition)

Position 20 indicates whether records are to be added to an input or update file. For output files, this entry is ignored.

#### Entry Explanation

**Blank** No records can be added to an input or update file (I or U in position 17).

**A** Records are added to an input or update file when positions 18 through 20 of the output record specifications for the file contain "ADD", or when the WRITE operation code is used in the calculation specification.

See Table 39 for the relationship between position 17 and position 20 of the file description specifications and positions 18 through 20 of the output specifications.

Table 39. Processing Functions for Files

| Function                                                           | Specification    |             |                 |
|--------------------------------------------------------------------|------------------|-------------|-----------------|
|                                                                    | File Description |             | Output          |
|                                                                    | Position 17      | Position 20 | Positions 18-20 |
| Create new file <sup>1</sup><br>or<br>Add records to existing file | O<br>O           | Blank<br>A  | Blank<br>ADD    |
| Process file                                                       | I                | Blank       | Blank           |

## File Description Specification Statement

Table 39. Processing Functions for Files (continued)

| Function                                                 | Specification    |             |                 |
|----------------------------------------------------------|------------------|-------------|-----------------|
|                                                          | File Description |             | Output          |
|                                                          | Position 17      | Position 20 | Positions 18-20 |
| Process file and add records to the existing file        | I                | A           | ADD             |
| Process file and update the records (update or delete)   | U                | Blank       | Blank           |
| Process file and add new records to an existing file     | U                | A           | ADD             |
| Process file and delete an existing record from the file | U                | Blank       | DEL             |

**Note:** Within RPG, the term *create a new file* means to add records to a newly created file. Thus, the first two entries in this table perform the identical function. Both are listed to show that there are two ways to specify that function.

### Position 21 (Sequence)

| Entry      | Explanation                              |
|------------|------------------------------------------|
| A or blank | Match fields are in ascending sequence.  |
| D          | Match fields are in descending sequence. |

Position 21 specifies the sequence of input fields used with the match fields specification (positions 65 and 66 of the input specifications). Position 21 applies only to input, update, or combined files used as primary or secondary files. Use positions 65 and 66 of the input specifications to identify the fields containing the sequence information.

If more than one input file with match fields is specified in the program, a sequence entry in position 21 can be used to check the sequence of the match fields and to process the file using the matching record technique. The sequence need only be specified for the first file with match fields specified. If sequence is specified for other files, the sequence specified must be the same; otherwise, the sequence specified for the first file is assumed.

If only one input file with match fields is specified in the program, a sequence entry in position 21 can be used to check fields of that file to ensure that the file is in sequence. By entering one of the codes M1 through M9 in positions 65 and 66 of the input specifications, and by entering an A, blank, or D in position 21, you specify sequence checking of these fields.

Sequence checking is required when match fields are used in the records from the file. When a record from a matching input file is found to be out of sequence, the RPG IV exception/error handling routine is given control.

### Position 22 (File Format)

| Entry | Explanation               |
|-------|---------------------------|
| F     | Program-described file    |
| E     | Externally described file |

An F in position 22 indicates that the records for the file are described within the program on input/output specifications (except for array/table files and record-address files).

An E in position 22 indicates that the record descriptions for the file are external to the RPG IV source program. The compiler obtains these descriptions at compilation time and includes them in the source program.

### Positions 23-27 (Record Length)

Use positions 23 through 27 to indicate the length of the logical records contained in a program-described file. The maximum record size that can be specified is 32766; however, record-size constraints of any device may override this value. This entry must be blank for externally described files.

If the file being defined is a record-address file and the record length specified is 3, it is assumed that each record in the file consists of a 3-byte binary field for the relative-record numbers starting at offset 0. If the record length is 4 or greater, each relative-record number in the record-address file is assumed to be a 4-byte field starting at offset 1. If the record length is left blank, the actual record length is retrieved at run time to determine how to handle the record-address file.

If the file opened at run time has a primary record length of 3, then 3-byte relative-record numbers (one per record) are assumed; otherwise, 4-byte relative-record numbers are assumed. This support can be used to allow ILE RPG programs to use System/36™ environment SORT files as record-address files.

*Table 40. Valid Combinations for a Record Address File containing Relative Record Numbers (RAFRRN)*

| Record Length<br>Positions 23-27 | RAF Length<br>Positions 29-33 | Type of Support                 |
|----------------------------------|-------------------------------|---------------------------------|
| Blank                            | Blank                         | Support determined at run time. |
| 3                                | 3                             | System/36 support.              |
| > = 4                            | 4                             | Native support.                 |

### Position 28 (Limits Processing)

**Entry** Explanation

**L** Sequential-within-limits processing by a record-address file

**Blank** Sequential or random processing

Use position 28 to indicate whether the file is processed by a record-address file that contains limits records.

A record-address file used for limits processing contains records that consist of upper and lower limits. Each record contains a set of limits that consists of the lowest record key and the highest record key from the segment of the file to be processed. Limits processing can be used for keyed files specified as primary, secondary, or full procedural files.

The L entry in position 28 is valid only if the file is processed by a record-address file containing limits records. Random and sequential processing of files is implied by a combination of positions 18 and 34 of the file description specifications, and by the calculation operation specified.

## File Description Specification Statement

The operation codes “SETLL (Set Lower Limit)” on page 763 and “SETGT (Set Greater Than)” on page 759 can be used to position a file; however, the use of these operation codes does not require an L in this position.

For more information on limits processing, refer to the *WebSphere Development Studio: ILE RPG Programmer's Guide*.

### Positions 29-33 (Length of Key or Record Address)

| Entry  | Explanation                                                                                                                                                                                                                                                                                                                                                                                                                                                                                                                                                                                                                                                                                                                                                                                                                                     |
|--------|-------------------------------------------------------------------------------------------------------------------------------------------------------------------------------------------------------------------------------------------------------------------------------------------------------------------------------------------------------------------------------------------------------------------------------------------------------------------------------------------------------------------------------------------------------------------------------------------------------------------------------------------------------------------------------------------------------------------------------------------------------------------------------------------------------------------------------------------------|
| 1-2000 | <p>The number of positions required for the key field in a program described file or the length of the entries in the record-address file (which must be a program-described file).</p> <p>If the program-described file being defined uses keys for record identification, enter the number of positions occupied by each record key. This entry is required for indexed files.</p> <p>If the keys are packed, the key field length should be the packed length; this is the number of digits in DDS divided by 2 plus 1 and ignoring any fractions.</p> <p>If the file being defined is a record-address file, enter the number of positions that each entry in the record-address file occupies.</p> <p>If the keys are graphic, the key field length should be specified in bytes (for example, 3 graphic characters requires 6 bytes).</p> |
| Blank  | <p>These positions must be blank for externally described files. (The key length is specified in the external description.) For a program-described file, a blank entry indicates that keys are not used. Positions 29-33 can also be blank for a record-address file with a blank in positions 23-27 (record length).</p>                                                                                                                                                                                                                                                                                                                                                                                                                                                                                                                      |

### Position 34 (Record Address Type)

| Entry | Explanation                                                                                                                                                                                                                                                                               |
|-------|-------------------------------------------------------------------------------------------------------------------------------------------------------------------------------------------------------------------------------------------------------------------------------------------|
| Blank | <p>Relative record numbers are used to process the file.</p> <p>Records are read consecutively.</p> <p>Record address file contains relative-record numbers.</p> <p>For limits processing, the record-address type (position 34) is the same as the type of the file being processed.</p> |
| A     | <p>Character keys (valid only for program-described files specified as indexed files or as a record-address-limits file).</p>                                                                                                                                                             |
| P     | <p>Packed keys (valid only for program-described files specified as indexed files or as a record-address-limits file).</p>                                                                                                                                                                |
| G     | <p>Graphic keys (valid only for program-described files specified as indexed files or as a record-address-limits file).</p>                                                                                                                                                               |
| K     | <p>Key values are used to process the file. This entry is valid only for externally described files.</p>                                                                                                                                                                                  |
| D     | <p>Date keys are used to process the file. This entry is valid only for program-described files specified as indexed files or as a record-address-limits file.</p>                                                                                                                        |

- T** Time keys are used to process the file. This entry is valid only for program-described files specified as indexed files or as a record-address-limits file.
- Z** Timestamp Keys are used to process the file. This entry is valid only for program-described files specified as indexed files or as a record-address-limits file.
- F** Float Key (valid only for program-described files specified as indexed files or as a record-address-limits file).

UCS-2 fields are not allowed as the record address type for program described indexed files or record address files.

### **Blank=Non-keyed Processing**

A blank indicates that the file is processed without the use of keys, that the record-address file contains relative-record numbers (a T in position 35), or that the keys in a record-address-limits file are in the same format as the keys in the file being processed.

A file processed without keys can be processed consecutively or randomly by relative-record number.

Input processing by relative-record number is determined by a blank in position 34 and by the use of the CHAIN, SETLL, or SETGT operation code. Output processing by relative-record number is determined by a blank in position 34 and by the use of the RECNO keyword on the file description specifications.

### **A=Character Keys**

The indexed file (I in position 35) defined on this line is processed by character-record keys. (A numeric field used as the search argument is converted to zoned decimal before chaining.) The A entry must agree with the data format of the field identified as the key field (length in positions 29 to 33 and starting position specified as the parameter to the KEYLOC keyword).

The record-address-limits file (R in position 18) defined on this line contains character keys. The file being processed by this record address file can have an A, P, or K in position 34.

### **P=Packed Keys**

The indexed file (I in position 35) defined on this line is processed by packed-decimal-numeric keys. The P entry must agree with the data format of the field identified as the key field (length in positions 29 to 33 and starting position specified as the parameter to the KEYLOC keyword).

The record-address-limits file defined on this line contains record keys in packed decimal format. The file being processed by this record address file can have an A, P, or K in position 34.

### **G=Graphic Keys**

The indexed file (I in position 35) defined on this line is processed by graphic keys. Since each graphic character requires two bytes, the key length must be an even number. The record-address file which is used to process this indexed file must also have a 'G' specified in position 34 of its file description specification, and its key length must also be the same as the indexed file's key length (positions 29-33).

## File Description Specification Statement

### **K=Key**

A K entry indicates that the externally described file is processed on the assumption that the access path is built on key values. If the processing is random, key values are used to identify the records.

If this position is blank for a keyed file, the records are retrieved in arrival sequence.

### **D=Date Keys**

The indexed file (I in position 35) defined on this line is processed by date keys. The D entry must agree with the data format of the field identified as the key field (length in positions 29 to 33 and starting position specified as the parameter to the KEYLOC keyword).

The hierarchy used when determining the format and separator for the date key is:

1. From the DATFMT keyword specified on the file description specification
2. From the DATFMT keyword specified in the control specification
3. \*ISO

### **T=Time Keys**

The indexed file (I in position 35) defined on this line is processed by time keys. The T entry must agree with the data format of the field identified as the key field (length in positions 29 to 33 and starting position specified as the parameter to the KEYLOC keyword).

The hierarchy used when determining the format and separator for the time key is:

1. From the TIMFMT keyword specified on the file description specification
2. From the TIMFMT keyword specified in the control specification
3. \*ISO

### **Z=Timestamp Keys**

The indexed file (I in position 35) defined on this line is processed by timestamp keys. The Z entry must agree with the data format of the field identified as the key field (length in positions 29 to 33 and starting position specified as the parameter to the KEYLOC keyword).

### **F=Float Keys**

The indexed file (I in position 35) defined on this line is processed by float keys. The Length-of-Key entry (positions 29-33) must contain a value of either 4 or 8 for a float key. When a file contains a float key, any type of numeric variable or literal may be specified as a key on keyed input/output operations. For a non-float record address type, you cannot have a float search argument.

For more information on record address type, refer to the *WebSphere Development Studio: ILE RPG Programmer's Guide*.

## **Position 35 (File Organization)**

| <b>Entry</b> | <b>Explanation</b> |
|--------------|--------------------|
|--------------|--------------------|

|              |                                                                                            |
|--------------|--------------------------------------------------------------------------------------------|
| <b>Blank</b> | The program-described file is processed without keys, or the file is externally described. |
|--------------|--------------------------------------------------------------------------------------------|

|          |                                                        |
|----------|--------------------------------------------------------|
| <b>I</b> | Indexed file (valid only for program-described files). |
|----------|--------------------------------------------------------|



**T** Record address file that contains relative-record numbers (valid only for program-described files).

Use position 35 to identify the organization of program described files.

### **Blank=Non-keyed Program-Described File**

A program-described file that is processed without keys can be processed:

- Randomly by relative-record numbers, positions 28 and 34 must be blank.
- Entry Sequence, positions 28 and 34 must be blank.
- As a record-address file, position 28 must be blank.

### **I=Indexed File**

An indexed file can be processed:

- Randomly or sequentially by key
- By a record-address file (sequentially within limits). Position 28 must contain an L.

### **T=Record Address File**

A record-address file (indicated by an R in position 18) that contains relative-record numbers must be identified by a T in position 35. (A record-address file must be program described.) Each record retrieved from the file being processed is based on the relative record number in the record-address file. (Relative record numbers cannot be used for a record-address-limits file.)

Each relative-record number in the record-address file is a 4-byte binary field; therefore, each 4-byte unit of a record-address file contains a relative-record number. A minus one (-1 or hexadecimal FFFFFFFF ) relative-record number value causes the record to be skipped. End of file occurs when all record-address file records have been processed.

For more information on how to handle record-address files, see the *WebSphere Development Studio: ILE RPG Programmer's Guide*.

## **Positions 36-42 (Device)**

| <b>Entry</b>   | <b>Explanation</b>                                                                                                                                                                                                                                                                                                                                                                                                                                          |
|----------------|-------------------------------------------------------------------------------------------------------------------------------------------------------------------------------------------------------------------------------------------------------------------------------------------------------------------------------------------------------------------------------------------------------------------------------------------------------------|
| <b>PRINTER</b> | File is a printer file, a file with control characters that can be sent to a printer.                                                                                                                                                                                                                                                                                                                                                                       |
| <b>DISK</b>    | File is a disk file. This device supports sequential and random read/write functions. These files can be accessed on a remote system by Distributed Data Management (DDM).                                                                                                                                                                                                                                                                                  |
| <b>WORKSTN</b> | File is a workstation file. Input/output is through a display or ICF file.                                                                                                                                                                                                                                                                                                                                                                                  |
| <b>SPECIAL</b> | This is a special file. Input or output is on a device that is accessed by a user-supplied program. The name of the program must be specified as the parameter for the PGMNAME keyword. A parameter list is created for use with this program, including an option code parameter and a status code parameter. The file must be a fixed unblocked format. See "PLIST(Plist_name)" on page 283 and "PGMNAME(program_name)" on page 283 for more information. |

## File Description Specification Statement

**SEQ** File is a sequentially organized file. The actual device is specified in a CL command or in the file description, which is accessed by the file name.

Use positions 36 through 42 to specify the RPG IV device name to be associated with the file. The RPG IV device name defines the ILE RPG functions that can be done on the associated file. Certain functions are valid only for a specific ILE RPG device name (such as the EXFMT operation for WORKSTN). The file name specified in positions 7 through 16 can be overridden at run time, allowing you to change the input/output device used in the program.

Note that the RPG IV device names are not the same as the system device names.

### Position 43 (Reserved)

Position 43 must be blank.

### Positions 44-80 (Keywords)

Positions 44 to 80 are provided for file-description-specification keywords. Keywords are used to provide additional information about the file being defined.

---

## File-Description Keywords

File-Description keywords may have no parameters, optional parameters, or required parameters. The syntax for keywords is as follows:

```
Keyword(parameter1 : parameter2)
```

where:

- Parameter(s) are enclosed in parentheses ( ).

**Note:** Do not specify parentheses if there are no parameters.

- Colons (:) are used to separate multiple parameters.

The following notational conventions are used to show which parameters are optional and which are required:

- Braces { } indicate optional parameters or optional elements of parameters.
- An ellipsis (...) indicates that the parameter can be repeated.
- A colon (:) separates parameters and indicates that more than one may be specified. All parameters separated by a colon are required unless they are enclosed in braces.
- A vertical bar (|) indicates that only one parameter may be specified for the keyword.
- A blank separating keyword parameters indicates that one or more of the parameters may be specified.

**Note:** Braces, ellipses, and vertical bars are not a part of the keyword syntax and should not be entered into your source.

If additional space is required for file-description keywords, the keyword field can be continued on subsequent lines. See "File-Description Keyword Continuation Line" on page 265 and "File Description Specification Keyword Field" on page 241.

**BLOCK(\*YES |\*NO)**

The BLOCK keyword controls the blocking of records associated with the file. The keyword is valid only for DISK or SEQ files.

If this keyword is not specified, the RPG compiler unblocks input records and blocks output records to improve run-time performance in SEQ or DISK files when the following conditions are met:

1. The file is program-described or, if externally described, it has only one record format.
2. Keyword RECNO is not used in the file description specification.

**Note:** If RECNO is used, the ILE RPG compiler will not allow record blocking. However, if the file is an input file and RECNO is used, Data Management may still block records if fast sequential access is set. This means that updated records might not be seen right away.

3. One of the following is true:
  - a. The file is an output file.
  - b. If the file is a combined file, then it is an array or table file.
  - c. The file is an input-only file; it is not a record-address file or processed by a record-address file; and none of the following operations are used on the file: READE, READPE, SETGT, SETLL, and CHAIN. (If any READE or READPE operations are used, no record blocking will occur for the input file. If any SETGT, SETLL, or CHAIN operations are used, no record blocking will occur unless the BLOCK(\*YES) keyword is specified for the input file.)

If BLOCK(\*YES) is specified, record blocking occurs as described above except that the operations SETLL, SETGT, and CHAIN can be used with an input file and blocking will still occur (see condition 3c above). To prevent the blocking of records, BLOCK(\*NO) can be specified. Then no record blocking is done by the compiler.

**COMMIT{(rpg\_name)}**

The COMMIT keyword allows the processing of files under commitment control. An optional parameter, rpg\_name, may be specified. The parameter is implicitly defined as a field of type indicator (that is, a character field of length one), and is initialized by RPG to '0'.

By specifying the optional parameter, you can control at run time whether to enable commitment control. If the parameter contains a '1', the file will be opened with the COMMIT indication on, otherwise the file will be opened without COMMIT. The parameter must be set prior to opening the file. If the file is opened at program initialization, the COMMIT parameter can be passed as a call parameter or defined as an external indicator. If the file is opened explicitly, using the OPEN operation in the calculation specifications, the parameter can be set prior to the OPEN operation.

Use the COMMIT and ROLBK operation codes to group changes to this file and other files currently under commitment control so that changes all happen together, or do not happen at all.

**Note:** If the file is already open with a shared open data path, the value for commitment control must match the value for the previous OPEN operation.

### DATFMT(format{separator})

The DATFMT keyword allows the specification of a default external date format and a default separator (which is optional) for *all* date fields in the program-described file. If the file on which this keyword is specified is indexed and the key field is a date, then this also provides the default external format for the key field.

For a Record-Address file this specifies the external date format of date limits keys read from the record-address file.

You can specify a different external format for individual input or output date fields in the file by specifying a date format/separator for the field on the corresponding input specification (positions 31-35) or output specification (positions 53-57).

See Table 27 on page 196 for valid formats and separators. For more information on external formats, see “Internal and External Formats” on page 169.

### DEVID(fieldname)

The DEVID keyword specifies the name of the program device that supplied the record processed in the file. The field is updated each time a record is read from a file. Also, you may move a program device name into this field to direct an output or device-specific input operation (other than a READ-by-file-name or an implicit cycle read) to a different device.

The fieldname is implicitly defined as a 10-character alphanumeric field. The device name specified in the field must be left-justified and padded with blanks. Initially, the field is blank. A blank field indicates the requester device. If the requester device is not acquired for your file, you must not use a blank field.

The DEVID field is maintained for each call to a program. If you call program B from within program A, the DEVID field for program A is not affected. Program B uses a separate DEVID field. When you return to program A, its DEVID field has the same value as it had before you called program B. If program B needs to know which devices are acquired to program A, program A must pass this information (as a parameter list) when it calls program B.

If the DEVID keyword is specified but not the MAXDEV keyword, the program assumes a multiple device file (MAXDEV with a parameter of \*FILE).

To determine the name of the requester device, you may look in the appropriate area of the file information data structure (see “File Information Data Structure” on page 65). Or, you may process an input or output operation where the fieldname contains blanks. After the operation, the fieldname has the name of the requester device.

### EXTFILE(filename)

The EXTFILE keyword specifies which file, in which library, is opened. The value can be a literal or a variable. You can specify the value in any of the following forms:

```
filename
libname/filename
*LIBL/filename
```

**Notes:**

1. You cannot specify \*CURLIB as the library name.
2. If you specify a file name without a library name, \*LIBL is used.
3. The name must be in the correct case. For example, if you specify EXTFILE(filename) and variable filename has the value 'qtemp/myfile', the file will not be found. Instead, it should have the value 'QTEMP/MYFILE'.
4. This keyword is not used to find an externally-described file at compile time.
5. If a variable name is used, it must be set before the file is opened. For files that are opened automatically during the initialization part of the cycle, the variable must be set in one of the following ways:
  - Using the INZ keyword on the D specification
  - Passing the value in as an entry parameter
  - Using a program-global variable that is set by another module.

If you have specified an override for the file that RPG will open, that override will be in effect. In the following code, for the file named **INPUT** within the RPG program, the file that is opened at runtime depends on the value of the *filename* field.

```
Finput if f 10 disk extfile(filename)
```

If the *filename* field has the value MYLIB/MYFILE at runtime, RPG will open the file MYLIB/MYFILE. If the command OVRDBF MYFILE OTHERLIB/OTHERFILE has been used, the actual file opened will be OTHERLIB/OTHERFILE. Note that any overrides for the name INPUT will be ignored, since INPUT is only the name used within the RPG source member.

**EXTIND(\*INUx)**

The EXTIND keyword indicates whether the file is used in the program depending on the value of the external indicator.

EXTIND lets the programmer control the operation of input, output, update, and combined files at run time. If the specified indicator is on at program initialization, the file is opened. If the indicator is not on, the file is not opened and is ignored during processing. The \*INU1 through \*INU8 indicators can be set as follows:

- By the i5/OS control language.
- When used as a resulting indicator for a calculation operation or as field indicators on the input specifications. Setting the \*INU1 through \*INU8 indicators in this manner has no effect on file conditioning.

See also "USROPN" on page 288.

**EXTMBR(membername)**

The EXTMBR keyword specifies which member of the file is opened. You can specify a member name, '\*ALL', or '\*FIRST'. Note that '\*ALL' and '\*FIRST' must be specified in quotes, since they are member "names", not RPG special words. The value can be a literal or a variable. The default is '\*FIRST'.

The name must be in the correct case. For example, if you specify EXTMBR(mbrname) and variable mbrname has the value 'mbr1', the member will not be found. Instead, it should have the value 'MBR1'.

## File-Description Keywords

If a variable name is used, it must be set before the file is opened. For files that are opened automatically during the initialization part of the cycle, the variable must be set in one of the following ways:

- Using the INZ keyword on the D specification
- Passing the value in as an entry parameter
- Using a program-global variable that is set by another module.

### **FORMLEN(number)**

The FORMLEN keyword specifies the form length of a PRINTER file. The form length must be greater than or equal to 1 and less than or equal to 255. The parameter specifies the exact number of lines available on the form or page to be used.

Changing the form length does not require recompiling the program. You can override the number parameter of FORMLEN by specifying a new value for the PAGSIZE parameter of the Override With Printer File (OVRPRTF) command.

When the FORMLEN keyword is specified, the FORMOFL keyword must also be specified.

### **FORMOFL(number)**

The FORMOFL keyword specifies the overflow line number that will set on the overflow indicator. The overflow line number must be less than or equal to the form length. When the line that is specified as the overflow line is printed, the overflow indicator is set on.

Changing the overflow line does not require recompiling the program. You can override the number parameter of FORMOFL by specifying a new value for the OVRFLW parameter of the Override With Printer File (OVRPRTF) command.

When the FORMOFL keyword is specified, the FORMLEN keyword must also be specified.

### **IGNORE(recformat{:recformat...})**

The IGNORE keyword allows a record format from an externally described file to be ignored. The external name of the record format to be ignored is specified as the parameter recformat. One or more record formats can be specified, separated by colons (:). The program runs as if the specified record format(s) did not exist. All other record formats contained in the file will be included.

When the IGNORE keyword is specified for a file, the INCLUDE keyword cannot be specified.

### **INCLUDE(recformat{:recformat...})**

The INCLUDE keyword specifies those record format names that are to be included; all other record formats contained in the file will be ignored. For WORKSTN files, the record formats specified using the SFILE keyword are also included in the program, they need not be specified twice. Multiple record formats can be specified, separated by colons (:).

When the INCLUDE keyword is specified for a file, the IGNORE keyword cannot be specified.

**INDDS(data\_structure\_name)**

The INDDS keyword lets you associate a data structure name with the INDARA indicators for a workstation or printer file. This data structure contains the conditioning and response indicators passed to and from data management for the file, and is called an indicator data structure.

Rules:

- This keyword is allowed only for externally described PRINTER files and externally and program-described WORKSTN files.
- For a program-described file, the PASS(\*NOIND) keyword must not be specified with the INDDS keyword.
- The same data structure name may be associated with more than one file.
- The data structure name must be defined as a data structure on the definition specifications and can be a multiple-occurrence data structure.
- The length of the indicator data structure is always 99.
- The indicator data structure is initialized by default to all zeros ('0's).
- The SAVEIND keyword cannot be specified with this keyword.

If this keyword is not specified, the \*IN array is used to communicate indicator values for all files defined with the DDS keyword INDARA.

For additional information on indicator data structures, see "Special Data Structures" on page 132.

**INFDS(DSname)**

The INFDS keyword lets you define and name a data structure to contain the feedback information associated with the file. The data structure name is specified as the parameter for INFDS. If INFDS is specified for more than one file, each associated data structure must have a unique name. An INFDS can only be defined in the main source section.

For additional information on file information data structures, see "File Information Data Structure" on page 65.

**INFSR(SUBRname)**

The INFSR keyword identifies the file exception/error subroutine that may receive control following file exception/errors. The subroutine name may be \*PSSR, which indicates the user-defined program exception/error subroutine is to be given control for errors on this file.

The INFSR keyword cannot be specified if the file is to be accessed by a subprocedure, or if NOMAIN is specified on the control specification.

**KEYLOC(number)**

The KEYLOC keyword specifies the record position in which the key field for a program-described indexed-file begins. The parameter must be between 1 and 32766.

The key field of a record contains the information that identifies the record. The key field must be in the same location in all records in the file.

### MAXDEV(\*ONLY | \*FILE)

The MAXDEV keyword specifies the maximum number of devices defined for the WORKSTN file. The default, \*ONLY, indicates a single device file. If \*FILE is specified, the maximum number of devices (defined for the WORKSTN file on the create-file command) is retrieved at file open, and SAVEIND and SAVEDS space allocation will be done at run time.

With a shared file, the MAXDEV value is not used to restrict the number of acquired devices.

When you specify DEVID, SAVEIND, or SAVEDS but not MAXDEV, the program assumes the default of a multiple device file (MAXDEV with a parameter of \*FILE).

### OFLIND(indicator)

The OFLIND keyword specifies an overflow indicator to condition which lines in the PRINTER file will be printed when overflow occurs. This entry is valid only for a PRINTER device. Default overflow processing (that is, automatic page eject at overflow) is done if the OFLIND keyword is not specified.

Valid Parameters:

**\*INOA-\*INOG, \*INOV:**

Specified overflow indicator conditions the lines to be printed when overflow occurs on a program described printer file.

**\*IN01-\*IN99:**

Set on when a line is printed on the overflow line, or the overflow line is reached or passed during a space or skip operation.

**name:** The name of a variable that is defined with type indicator and is not an array. This indicator is set on when the overflow line is reached and the program must handle the overflow condition.

The behavior is the same as for indicators \*IN01 to \*IN99.

**Note:** Indicators \*INOA through \*INOG, and \*INOV are not valid for externally described files.

Only one overflow indicator can be assigned to a file. If more than one PRINTER file in a program is assigned an overflow indicator, that indicator must be unique for each file.

### PASS(\*NOIND)

The PASS keyword determines whether indicators are passed under programmer control or based on the DDS keyword INDARA. This keyword can only be specified for program-described files. To indicate that you are taking responsibility for passing indicators on input and output, specify PASS(\*NOIND) on the file description specification of the corresponding program-described WORKSTN file.

When PASS(\*NOIND) is specified, the ILE RPG compiler does not pass indicators to data management on output, nor does it receive them on input. Instead you pass indicators by describing them as fields (in the form \*INxx, \*IN(xx), or \*IN) in the input or output record. They must be specified in the sequence required by the data description specifications (DDS). You can use the DDS listing to determine this sequence.



If this keyword is not specified, the compiler assumes that INDARA was specified in the DDS.

**Note:** If the file has the INDARA keyword specified in the DDS, you must not specify PASS(\*NOIND). If it does not, you must specify PASS(\*NOIND).

## PGMNAME(program\_name)

The PGMNAME keyword identifies the program that is to handle the support for the special I/O device (indicated by a Device-Entry of SPECIAL).

**Note:** The parameter must be a valid program name and not a bound procedure name.

See "Positions 36-42 (Device)" on page 275 and "PLIST(Plist\_name)" for more information.

## PLIST(Plist\_name)

The PLIST keyword identifies the name of the parameter list to be passed to the program for the SPECIAL file. The parameters identified by this entry are added to the end of the parameter list passed by the program. (The program is specified using the PGMNAME keyword, see "PGMNAME(program\_name).") This keyword can only be specified when the Device-Entry (positions 36 to 42) in the file description line is SPECIAL.

## PREFIX(prefix{:nbr\_of\_char\_replaced})

The PREFIX keyword is used to partially rename the fields in an externally described file. The characters specified in the first parameter are prefixed to the names of all fields defined in all records of the file specified in positions 7-16. The characters can be specified as a name, for example PREFIX(F1\_), or as a character literal, for example PREFIX('F1\_'). A character literal must be used if the prefix contains a period, for example PREFIX('F1DS.') or PREFIX('F1DS.A'). To remove characters from the beginning of every name, specify an empty string as the first parameter: PREFIX(''). In addition, you can optionally specify a numeric value to indicate the number of characters, if any, in the existing name to be replaced. If the 'nbr\_of\_char\_replaced' is not specified, then the string is attached to the beginning of the name.

If the 'nbr\_of\_char\_replaced' is specified, it must be a numeric constant containing a value between 0 and 9 with no decimal places. For example, the specification PREFIX(YE:3) would change the field name 'YTDTOTAL' to 'YETOTAL'. Specifying a value of zero is the same as not specifying 'nbr\_of\_char\_replaced' at all.

Rules:

- To explicitly rename a field on an Input specification when the PREFIX keyword has been specified for a file you must choose the correct field name to specify for the External Field Name (positions 21 - 30) of the Input specification. The name specified depends on whether the prefixed name has been used prior to the rename specification.
  - If there has been a prior reference made to the prefixed name, the prefixed name must be specified.
  - If there has not been a prior reference made to the prefixed name, the external name of the input field must be specified.

## File-Description Keywords

- #                   Once the rename operation has been coded then the new name must be used to  
#                   reference the input field. For more information, see External Field Name of the  
#                   Input specification.
- The total length of the name after applying the prefix must not exceed the maximum length of an RPG field name.
  - The number of characters in the name to be prefixed must not be less than or equal to the value represented by the 'nbr\_of\_char\_replaced' parameter. That is, after applying the prefix, the resulting name must not be the same as the prefix string.
  - If the prefix is a character literal, it can contain a period or end in a period. In this case, the field names must all be subfields of the same qualified data structure. The data structure must be defined as a qualified data structure. For example, for PREFIX('F1DS.'), data structure F1DS must be define as a qualified data structure; if the file has fields FLD1 and FLD2, the data structure must have subfields F1DS.FLD1 and F1DS.FLD2. Similarly, for PREFIX('F2DS.A'), data structure F2DS must be a qualified data structure; if the file has fields FLD1 and FLD2, the data structure must have subfields F2DS.AFLD1 and F2DS.AFLD2.
  - If the prefix is a character literal, it must be uppercase.
  - If an externally-described data structure is used to define the fields in the file, care must be taken to ensure that the field names in the file are the same as the subfield names in the data structure. The following table shows the prefix required for an externally-described file and externally-described data structure for several prefixed versions of the name "XYNAME". When the "Internal name" column contains a dot, for example D1.NAME, the externally-described data structure is defined as QUALIFIED, and the PREFIX for the File specification must contain a dot.

| PREFIX for file   | PREFIX for externally-described data structure | Internal name |
|-------------------|------------------------------------------------|---------------|
| PREFIX(A)         | PREFIX(A)                                      | AXYNAME       |
| PREFIX(A:2)       | PREFIX(A:2)                                    | ANAME         |
| PREFIX('D.')      | None                                           | D.XYNAME      |
| PREFIX('D.' : 2)  | PREFIX(" : 2)                                  | D.NAME        |
| PREFIX('D.A')     | PREFIX(A)                                      | D.AXYNAME     |
| PREFIX('D.A' : 2) | PREFIX(A : 2)                                  | D.ANAME       |
| PREFIX("":2)      | PREFIX(" : 2)                                  | NAME          |

### Examples:

|                   The following example adds the prefix "NEW\_" to the beginning of the field names  
|                   for file NEWFILE, and the prefix "OLD\_" to the beginning of the field names for  
|                   file OLDFILE.

```
|
| Fnewfile o e disk prefix(NEW_)
| Foldfile if e disk prefix(OLD_)
| C READ OLDREC
| C EVAL NEWIDNO = OLD_IDNO
| C EVAL NEWABAL = OLD_ABAL
| C WRITE NEWREC
```

|                   The following example uses PREFIX(N:2) on both file FILE1 and the  
|                   externally-described data structure DS1. The File-specification prefix will cause the  
|                   FILE1 fields XYIDNUM and XYCUSTNAME to be known as NIDNUM and

NCUSTNAME in the program; the Data-specification prefix will cause the data structure to have subfields NIDNUM and NCUSTNAME. During the READ operation, data from the record will be moved to the subfields of DS1, which can then be passed to the subprocedure processRec to process the data in the record.

```
Ffile1 if e disk prefix(N:2)
D ds1 e ds extname(file1) prefix(N:2)
C READ file1
C CALLP processRec (ds1)
```

The following example uses prefix 'MYDS.' to associate the fields in MYFILE with the subfields of qualified data structure MYDS.

```
Fmyfile if e disk prefix('MYDS.')
D myds e ds qualified extname(myfile)
```

The next example uses prefix 'MYDS.F2':3 to associate the fields in MYFILE with the subfields of qualified data structure MYDS2. The subfields themselves are further prefixed by replacing the first three characters with 'F2'. The fields used by this file will be MYDS2.F2FLD1 and MYDS2.F2FLD2. (Data structure MYDS2 must be defined with a similar prefix. However, it is not exactly the same, since it does not include the data structure name.)

```
A R REC
A ACRFLD1 10A
A ACRFLD2 5S 0
Fmyfile2 if e disk prefix('MYDS2.F2':3)
D myds2 e ds qualified extname(myfile)
D prefix('F2':3)
```

## PRTCTL(data\_struct{:\*COMPAT})

The PRTCTL keyword specifies the use of dynamic printer control. The data structure specified as the parameter data\_struct refers to the forms control information and line count value. The PRTCTL keyword is valid only for a program described file.

The optional parameter \*COMPAT indicates that the data structure layout is compatible with RPG III. The default, \*COMPAT not specified, will require the use of the extended length data structure.

### Extended Length PRTCTL Data Structure

A minimum of 15 bytes is required for this data structure. Layout of the PRTCTL data structure is as follows:

#### Data Structure Positions

##### Subfield Contents

- |       |                                                                                                                     |
|-------|---------------------------------------------------------------------------------------------------------------------|
| 1-3   | A three-position character field that contains the space-before value (valid entries: blank or 0-255)               |
| 4-6   | A three-position character field that contains the space-after value (valid entries: blank or 0-255)                |
| 7-9   | A three-position character field that contains the skip-before value (valid entries: blank or 1-255)                |
| 10-12 | A three-position character field that contains the skip-after value (valid entries: blank or 1-255)                 |
| 13-15 | A three-digit numeric (zoned decimal) field with zero decimal positions that contains the current line count value. |

### \*COMPAT PRTCTL Data Structure

#### Data Structure Positions

##### Subfield Contents

- |     |                                                                                                                                       |
|-----|---------------------------------------------------------------------------------------------------------------------------------------|
| 1   | A one-position character field that contains the space-before value (valid entries: blank or 0-3)                                     |
| 2   | A one-position character field that contains the space-after value (valid entries: blank or 0-3)                                      |
| 3-4 | A two-position character field that contains the skip-before value (valid entries: blank, 1-99, A0-A9 for 100-109, B0-B2 for 110-112) |
| 5-6 | A two-position character field that contains the skip-after value (valid entries: blank, 1-99, A0-A9 for 100-109, B0-B2 for 110-112)  |
| 7-9 | A three-digit numeric (zoned decimal) field with zero decimal positions that contains the current line count value.                   |

The values contained in the first four subfields of the extended length data structure are the same as those allowed in positions 40 through 51 (space and skip entries) of the output specifications. If the space and skip entries (positions 40 through 51) of the output specifications are blank, and if subfields 1 through 4 are also blank, the default is to space 1 after. If the PRTCTL option is specified, it is used only for the output records that have blanks in positions 40 through 51. You can control the space and skip value (subfields 1 through 4) for the PRINTER file by changing the values in these subfields while the program is running.

Subfield 5 contains the current line count value. The ILE RPG compiler does not initialize subfield 5 until after the first output line is printed. The compiler then changes subfield 5 after each output operation to the file.

### RAFDATA(filename)

The RAFDATA keyword identifies the name of the input or update file that contains the data records to be processed for a Record Address File (RAF) (an R in position 18). See "Record Address File (RAF)" on page 268 for further information.

### RECNO(fieldname)

The RECNO keyword specifies that a DISK file is to be processed by relative-record number. The RECNO keyword must be specified for output files processed by relative-record number, output files that are referenced by a random WRITE calculation operation, or output files that are used with ADD on the output specifications.

The RECNO keyword can be specified for input/update files. The relative-record number of the record retrieved is placed in the 'fieldname', for all operations that reposition the file (such as READ, SETLL, or OPEN). It must be defined as numeric with zero decimal positions. The field length must be sufficient to contain the longest record number for the file.

The compiler will not open a SEQ or DISK file for blocking or unblocking records if the RECNO keyword is specified for the file. Note that the keywords RECNO and BLOCK(\*YES) cannot be specified for the same file.

**Note:** When the RECNO keyword is specified for input or update files with file-addition ('A' in position 20), the value of the fieldname parameter must refer to a relative-record number of a deleted record, for the output operation to be successful.

### **RENAME(Ext\_format:Int\_format)**

The RENAME keyword allows you to rename record formats in an externally described file. The external name of the record format that is to be renamed is entered as the Ext\_format parameter. The Int\_format parameter is the name of the record as it is used in the program. The external name is replaced by this name in the program.

To rename all fields by adding a prefix, use the PREFIX keyword.

### **SAVEDS(DSname)**

The SAVEDS keyword allows the specification of the data structure saved and restored for each device. Before an input operation, the data structure for the device operation is saved. After the input operation, the data structure for the device associated with this current input operation is restored. This data structure cannot be a data area data structure, file information data structure, or program status data structure, and it cannot contain a compile-time array or prerun-time array.

If the SAVEDS keyword is not specified, no saving and restoring is done. SAVEDS must not be specified for shared files.

When you specify SAVEDS but not MAXDEV, the ILE RPG program assumes a multiple device file (MAXDEV with a parameter of \*FILE).

### **SAVEIND(number)**

The SAVEIND keyword specifies the number of indicators that are to be saved and restored for each device attached to a mixed or multiple device file. Before an input operation, the indicators for the device associated with the previous input or output operation are saved. After the input operation, the indicators for the device associated with this current input operation are restored.

Specify a number from 1 through 99, as the parameter to the SAVEIND keyword. No indicators are saved and restored if the SAVEIND keyword is not specified, or if the MAXDEV keyword is not specified or specified with the parameter \*ONLY.

If you specified the DDS keyword INDARA, the number you specify for the SAVEIND keyword must be less than any response indicator you use in your DDS. For example, if you specify INDARA and CF01(55) in your DDS, the maximum value for the SAVEIND keyword is 54. The SAVEIND keyword must not be used with shared files.

The INDDS keyword cannot be specified with this keyword.

When you specify the SAVEIND keyword but not the MAXDEV keyword, the ILE RPG program assumes a multiple device file.

### **SFILE(recformat:rrnfield)**

The SFILE keyword is used to define internally the subfiles that are specified in an externally described WORKSTN file. The recformat parameter identifies the RPG

## File-Description Keywords

IV name of the record format to be processed as a subfile. The `rrnfield` parameter identifies the name of the relative-record number field for this subfile. You must specify an `SFILE` keyword for each subfile in the DDS.

The relative-record number of any record retrieved by a `READC` or `CHAIN` operation is placed into the field identified by the `rrnfield` parameter. This field is also used to specify the record number that RPG IV uses for a `WRITE` operation to the subfile or for output operations that use `ADD`. The field name specified as the `rrnfield` parameter must be defined as numeric with zero decimal positions. The field must have enough positions to contain the largest record number for the file. (See the `SFLSIZ` keyword in the iSeries Information Center database and file systems category.)

Relative record number processing is implicitly defined as part of the `SFILE` definition. If multiple subfiles are defined, each subfile requires the specification of the `SFILE` keyword.

Do not use the `SFILE` keyword with the `SLN` keyword.

### SLN(number)

The `SLN` (Start Line Number) keyword determines where a record format is written to a display file. The main file description line must contain `WORKSTN` in positions 36 through 42 and a `C` or `O` in positions 17. The DDS for the file must specify the keyword `SLNO(*VAR)` for one or more record formats. When you specify the `SLN` keyword, the parameter will automatically be defined in the program as a numeric field with length of 2 and with 0 decimal positions.

Do not use the `SLN` keyword with the `SFILE` keyword.

### TIMFMT(format{separator})

The `TIMFMT` keyword allows the specification of a default external time format and a default separator (which is optional) for *all* time fields in the program-described file. If the file on which this keyword is specified is indexed and the key field is a time, then the time format specified also provides the default external format for the key field.

For a Record-Address file this specifies the external time format of time limits keys read from the record-address file.

You can specify a different external format for individual input or output time fields in the file by specifying a time format/separator for the field on the corresponding input specification (positions 31-35) or output specification (positions 53-57).

See Table 30 on page 198 for valid format and separators. For more information on external formats, see "Internal and External Formats" on page 169.

### USROPN

The `USROPN` keyword causes the file not to be opened at program initialization. This gives the programmer control of the file's first open. The file must be explicitly opened using the `OPEN` operation in the calculation specifications. This keyword is not valid for input files designated as primary, secondary, table, or record-address files, or for output files conditioned by the `1P` (first page) indicator.

The USROPN keyword is required for programmer control of only the first file opening. For example, if a file is opened and later closed by the CLOSE operation, the programmer can reopen the file (using the OPEN operation) without having specified the USROPN keyword on the file description specification.

See also "EXTIND(\*INUx)" on page 279.

## File Types and Processing Methods

Table 41 shows the valid entries for positions 28, 34, and 35 of the file description specifications for the various file types and processing methods. The methods of disk file processing include:

- Relative-record-number processing
- Consecutive processing
- Sequential-by-key processing
- Random-by-key processing
- Sequential-within-limits processing.

Table 41. Processing Methods for DISK Files

| Access     | Method        | Opcode                                    | Position 28 | Position 34               | Position 35 | Explanation                                                          |
|------------|---------------|-------------------------------------------|-------------|---------------------------|-------------|----------------------------------------------------------------------|
| Random     | RRN           | CHAIN                                     | Blank       | Blank                     | Blank       | Access by physical order of records                                  |
| Sequential | Key           | READ<br>READE<br>READP<br>READPE<br>cycle | Blank       | Blank                     | I           | Access by key sequentially                                           |
| Sequential | Within Limits | READ<br>READE<br>READP<br>READPE<br>cycle | L           | A, P, G, D, T,<br>Z, or F | I           | Access by key sequentially controlled by record-address-limits file  |
| Sequential | RRN           | READ cycle                                | Blank       | Blank                     | T           | Access sequentially restricted to RRN numbers in record-address file |

For further information on the various file processing methods, see the section entitled "Methods for Processing Disk Files", in the chapter "Accessing Database Files" in the *WebSphere Development Studio: ILE RPG Programmer's Guide*.

## File Types and Processing Methods



---

## Chapter 15. Definition Specifications

Definition specifications can be used to define:

- Standalone fields
- Named constants
- Data structures and their subfields
- Prototypes
- Procedure interface
- Prototyped parameters

For more information on data structures, constants, prototypes, and procedure interfaces, see also Chapter 8, “Defining Data and Prototypes,” on page 117. For more information on data types and data formats, see also Chapter 10, “Data Types and Data Formats,” on page 169.

Arrays and tables can be defined as either a data-structure subfield or a standalone field. For additional information on defining and using arrays and tables, see also Chapter 9, “Using Arrays and Tables,” on page 151.

Definition specifications can appear in two places within a module or program: in the main source section and in a subprocedure. Within the main source section, you define all global definitions. Within a subprocedure, you define the procedure interface and its parameters as required by the prototype. You also define any local data items that are needed by the prototyped procedure when it is processed. Any definitions within a prototyped procedure are local. They are not known to any other procedures (including the main procedure). For more information on scope, see “Scope of Definitions” on page 96.

A built-in function (BIF) can be used in the keyword field as a parameter to a keyword. It is allowed on the definition specification only if the values of all arguments are known at compile time. When specified as parameters for the definition specification keywords DIM, OCCURS, OVERLAY, and PERRCD, all arguments for a BIF must be defined earlier in the program. For further information on using built-in functions, see “Built-in Functions” on page 394.

---

### Definition Specification Statement

The general layout for the definition specification is as follows:

- The definition specification type (D) is entered in position 6
- The non-commentary part of the specification extends from position 7 to position 80
  - The fixed-format entries extend from positions 7 to 42
  - The keyword entries extend from positions 44 to 80
- The comments section of the specification extends from position 81 to position 100.

## Definition Specification Statement

```
*.. 1 ...+... 2 ...+... 3 ...+... 4 ...+... 5 ...+... 6 ...+... 7 ...+... 8 ...+... 9 ...+... 10
DName+++++++ETDsFrom+++To/L+++IDc.Keywords+++++++Comments+++++++
```

Figure 107. Definition Specification Layout

## Definition Specification Keyword Continuation Line

If additional space is required for keywords, the keywords field can be continued on subsequent lines as follows:

- Position 6 of the continuation line must contain a D
- Positions 7 to 43 of the continuation line must be blank
- The specification continues on or past position 44

```
*.. 1 ...+... 2 ...+... 3 ...+... 4 ...+... 5 ...+... 6 ...+... 7 ...+... 8 ...+... 9 ...+... 10
D.....Keywords+++++++Comments+++++++
```

Figure 108. Definition Specification Keyword Continuation Line Layout

## Definition Specification Continued Name Line

A name that is up to 15 characters long can be specified in the Name entry of the definition specification without requiring continuation. Any name (even one with 15 characters or fewer) can be continued on multiple lines by coding an ellipsis (...) at the end of the partial name. A name definition consists of the following parts:

1. Zero or more continued name lines. Continued name lines are identified as having an ellipsis as the last non-blank character in the entry. The name must begin within positions 7 to 21 and may end anywhere up to position 77 (with an ellipsis ending in position 80). There cannot be blanks between the start of the name and the ellipsis character. If any of these conditions is not true, the line is parsed as a main definition line.
2. One main definition line, containing a name, definition attributes, and keywords. If a continued name line is coded, the Name entry of the main definition line may be left blank.
3. Zero or more keyword continuation lines.

```
*.. 1 ...+... 2 ...+... 3 ...+... 4 ...+... 5 ...+... 6 ...+... 7 ...+... 8 ...+... 9 ...+... 10
DContinuedName+++++++Comments+++++++
```

Figure 109. Definition Specification Continued Name Line Layout

## Position 6 (Form Type)

Enter a D in this position for definition specifications.

## Positions 7-21 (Name)

| Entry | Explanation |
|-------|-------------|
|-------|-------------|

|      |                                     |
|------|-------------------------------------|
| Name | The name of the item being defined. |
|------|-------------------------------------|

|       |                                                                                                                             |
|-------|-----------------------------------------------------------------------------------------------------------------------------|
| Blank | Specifies filler fields in data-structure subfield definitions, or an unnamed data structure in data-structure definitions. |
|-------|-----------------------------------------------------------------------------------------------------------------------------|

The normal rules for RPG IV symbolic names apply; reserved words cannot be used (see “Symbolic Names” on page 3). The name can begin in any position in the space provided. Thus, indenting can be used to indicate the shape of data in data structures.

For continued name lines, a name is specified in positions 7 through 80 of the continued name lines and positions 7 through 21 of the main definition line. As with the traditional definition of names, case of the characters is not significant.

For an externally described subfield, a name specified here replaces the external-subfield name specified on the EXTFLD keyword.

For a prototype parameter definition, the name entry is optional. If a name is specified, the name is ignored. (A prototype parameter is a definition specification with blanks in positions 24-25 that follows a PR specification or another prototype parameter definition.)

**TIP**

If you are defining a prototype and the name specified in positions 7-21 cannot serve as the external name of the procedure, use the EXTPROC keyword to specify the valid external name. For example, the external name may be required to be in lower case, because you are defining a prototype for a procedure written in ILE C.

### Position 22 (External Description)

This position is used to identify a data structure or data-structure subfield as externally described. If a data structure or subfield is not being defined on this specification, then this field must be left blank.

**Entry Explanation for Data Structures**

**E** Identifies a data structure as externally described: subfield definitions are defined externally. If the EXTNAME keyword is not specified, positions 7-21 must contain the name of the externally described file containing the data structure definition.

**Blank** Program described: subfield definitions for this data structure follow this specification.

**Entry Explanation for Subfields**

**E** Identifies a data-structure subfield as externally described. The specification of an externally described subfield is necessary only when keywords such as EXTFLD and INZ are used.

**Blank** Program described: the data-structure subfield is defined on this specification line.

### Position 23 (Type of Data Structure)

This entry is used to identify the type of data structure being defined. If a data structure is not being defined, this entry must be left blank.

**Entry Explanation**

## Definition Specification Statement

- Blank** The data structure being defined is not a program status or data-area data structure; or a data structure is not being defined on this specification
- S** Program status data structure. Only one data structure may be designated as the program status data structure.
- U** Data-area data structure.
- RPG IV retrieves the data area at initialization and rewrites it at end of program.
- If the DTAARA keyword is specified, the parameter to the DTAARA keyword is used as the name of the external data area. If the name is a variable, the value must be set before the program begins. This can be done by:
    - Passing the variable as a parameter.
    - Explicitly initializing the variable with the INZ keyword.
    - Sharing the variable with another module using the IMPORT and EXPORT keywords, and ensuring the value is set prior to the call.
  - If the DTAARA keyword is not specified, the name in positions 7-21 is used as the name of the external data area.
  - If a name is not specified either by the DTAARA keyword, or by positions 7-21, \*LDA (the local data area) is used as the name of the external data area.

## Positions 24-25 (Definition Type)

| Entry        | Explanation                                                                                                                     |
|--------------|---------------------------------------------------------------------------------------------------------------------------------|
| <b>Blank</b> | The specification defines either a data structure subfield or a parameter within a prototype or procedure interface definition. |
| <b>C</b>     | The specification defines a constant. Position 25 must be blank.                                                                |
| <b>DS</b>    | The specification defines a data structure.                                                                                     |
| <b>PR</b>    | The specification defines a prototype and the return value, if any.                                                             |
| <b>PI</b>    | The specification defines a procedure interface, and the return value if any.                                                   |
| <b>S</b>     | The specification defines a standalone field, array or table. Position 25 must be blank.                                        |

Definitions of data structures, prototypes, and procedure interfaces end with the first definition specification with non-blanks in positions 24-25, or with the first specification that is not a definition specification.

For a list of valid keywords, grouped according to type of definition, please refer to Table 43 on page 335.

## Positions 26-32 (From Position)

Positions 26-32 may only contain an entry if the location of a subfield within a data structure is being defined.

| Entry          | Explanation                                                                                                                                                                     |
|----------------|---------------------------------------------------------------------------------------------------------------------------------------------------------------------------------|
| <b>Blank</b>   | A blank FROM position indicates that the value in the TO/LENGTH field specifies the length of the subfield, or that a subfield is not being defined on this specification line. |
| <b>nnnnnnn</b> | Absolute starting position of the subfield within a data structure.                                                                                                             |

The value specified must be from 1 to 65535 for a named data structure (and from 1 to 9999999 for an unnamed data structure), and right-justified in these positions.

**Reserved Words**

Reserved words for the program status data structure or for a file information data structure are allowed (left-justified) in the FROM-TO/LENGTH fields (positions 26-39). These special reserved words define the location of the subfields in the data structures. Reserved words for the program status data structure are \*STATUS, \*PROC, \*PARM, and \*ROUTINE. Reserved words for the file information data structure (INFDS) are \*FILE, \*RECORD, \*OPCODE, \*STATUS, and \*ROUTINE.

**Positions 33-39 (To Position / Length)**

**Entry Explanation**

**Blank** If positions 33-39 are blank:

- a named constant is being defined on this specification line, or
- the standalone field, parameter, or subfield is being defined LIKE another field, or
- the standalone field, parameter, or subfield is of a type where a length is implied, or
- the subfield's attributes are defined elsewhere, or
- a data structure is being defined. The length of the data structure is the maximum value of the subfield To-Positions. The data structure may be defined using the LIKEDS or LIKEREK keyword.

**nnnnnnn**

Positions 33-39 may contain a (right-justified) numeric value, from 1 to 65535 for a named data structure (and from 1 to 9999999 for an unnamed data structure), as follows:

- If the From field (position 26-32) contains a numeric value, then a numeric value in this field specifies the absolute end position of the subfield within a data structure.
- If the From field is blank, a numeric value in this field specifies :
  - the length of the entire data structure, or
  - the length of the standalone field, or
  - the length of the parameter, or
  - the length of the subfield. Within the data structure, this subfield is positioned such that its starting position is greater than the maximum to-position of all previously defined subfields in the data structure. Padding is inserted if the subfield is defined with type basing pointer or procedure pointer to ensure that the subfield is aligned properly.

**Notes:**

#  
#  
#  
#  
#  
#

1. For graphic or UCS-2 fields, the number specified here is the number of graphic or UCS-2 characters, NOT the number of bytes (1 graphic or UCS-2 character = 2 bytes). For numeric fields, the number specified here is the number of digits (for packed and zoned numeric fields: 1-63; for binary numeric fields: 1-9; for integer and unsigned numeric fields: 3, 5, 10, or 20; ).
2. For float numeric fields the number specified is the number of bytes, NOT the number of digits (4 or 8 bytes).

## Definition Specification Statement

### +|-nnnnn

This entry is valid for standalone fields or subfields defined using the LIKE keyword. The length of the standalone field or subfield being defined on this specification line is determined by adding or subtracting the value entered in these positions to the length of the field specified as the parameter to the LIKE keyword.

#### Notes:

1. For graphic or UCS-2 fields, the number specified here is the number of graphic or UCS-2 characters, NOT the number of bytes (1 graphic or UCS-2 character = 2 bytes). For numeric fields, the number specified here is the number of digits.
2. For float fields, the entry must be blank or +0. The size of a float field cannot be changed as with other numerics.

#### Reserved Words

If positions 26-32 are used to enter special reserved words, this field becomes an extension of the previous one, creating one large field (positions 26-39). This allows for reserved words, with names longer than 7 characters in length, to extend into this field. See "Positions 26-32 (From Position)" on page 294, 'Reserved Words'.

## Position 40 (Internal Data Type)

This entry allows you to specify how a standalone field, parameter, or data-structure subfield is stored internally. This entry pertains strictly to the internal representation of the data item being defined, regardless of how the data item is stored externally (that is, if it is stored externally). To define variable-length character, graphic, and UCS-2 formats, you must specify the keyword VARYING; otherwise, the format will be fixed length.

#### Entry Explanation

**Blank** When the LIKE keyword is not specified:

- If the decimal positions entry is blank, then the item is defined as character
- If the decimal positions entry is not blank, then the item is defined as packed numeric if it is a standalone field or parameter; or as zoned numeric if it is a subfield.

**Note:** The entry must be blank whenever the LIKE, LIKEDS and LIKEREK keywords are specified.

|   |                                             |
|---|---------------------------------------------|
| A | Character (Fixed or Variable-length format) |
| B | Numeric (Binary format)                     |
| C | UCS-2 (Fixed or Variable-length format)     |
| D | Date                                        |
| F | Numeric (Float format)                      |
| G | Graphic (Fixed or Variable-length format)   |
| I | Numeric (Integer format)                    |
| N | Character (Indicator format)                |
| O | Object                                      |
| P | Numeric (Packed decimal format)             |

S Numeric (Zoned format)  
 T Time  
 U Numeric (Unsigned format)  
 Z Timestamp  
 \* Basing pointer or procedure pointer

### # Positions 41-42 (Decimal Positions)

# Positions 41-42 are used to indicate the number of decimal positions in a numeric subfield or standalone field. If the field is non-float numeric, there must always be an entry in these positions. If there are no decimal positions enter a zero (0) in position 42. For example, an integer or unsigned field (type I or U in position 40) requires a zero for this entry.

#### # Entry Explanation

# **Blank** The value is not numeric (unless it is a float field) or has been defined with the LIKE keyword.

# **0-63** Decimal positions: the number of positions to the right of the decimal in a numeric field.

# This entry can only be supplied in combination with the TO/Length field. If the TO/Length field is blank, the value of this entry is defined somewhere else in the program (for example, through an externally described data base file).

### Position 43 (Reserved)

Position 43 must be blank.

### Positions 44-80 (Keywords)

Positions 44 to 80 are provided for definition specification keywords. Keywords are used to describe and define data and its attributes. Use this area to specify any keywords necessary to fully define the field.

---

## Definition-Specification Keywords

Definition-specification keywords may have no parameters, optional parameters, or required parameters. The syntax for keywords is as follows:

Keyword(parameter1 : parameter2)

where:

- Parameter(s) are enclosed in parentheses ( ).

**Note:** Do not specify parentheses if there are no parameters.

- Colons (:) are used to separate multiple parameters.

The following notational conventions are used to show which parameters are optional and which are required:

- Braces { } indicate optional parameters or optional elements of parameters.
- An ellipsis (...) indicates that the parameter can be repeated.
- A colon (:) separates parameters and indicates that more than one may be specified. All parameters separated by a colon are required unless they are enclosed in braces.

## Definition-Specification Keywords

- A vertical bar (|) indicates that only one parameter may be specified for the keyword.
- A blank separating keyword parameters indicates that one or more of the parameters may be specified.

**Note:** Braces, ellipses, and vertical bars are not a part of the keyword syntax and should not be entered into your source.

If additional space is required for definition-specification keywords, the keyword field can be continued on subsequent lines. See “Definition Specification Keyword Continuation Line” on page 292 and “Definition Specification Keyword Field” on page 242.

### ALIGN

The ALIGN keyword is used to align float, integer, and unsigned subfields. When ALIGN is specified, 2-byte subfields are aligned on a 2-byte boundary, 4-byte subfields are aligned on a 4-byte boundary and 8-byte subfields are aligned on an 8-byte boundary. Alignment may be desired to improve performance when accessing float, integer, or unsigned subfields.

Specify ALIGN on the data structure definition. However, you cannot specify ALIGN for either the file information data structure (INFDS) or the program status data structure (PSDS).

Alignment occurs only to data structure subfields defined with length notation and without the keyword OVERLAY. A diagnostic message is issued if subfields that are defined either with absolute notation or using the OVERLAY keyword are not properly aligned.

Pointer subfields are always aligned on a 16-byte boundary whether or not ALIGN is specified.

See “Aligning Data Structure Subfields” on page 131 for more information.

### ALT(array\_name)

The ALT keyword is used to indicate that the compile-time or pre-runtime array or table is in alternating format.

The array defined with the ALT keyword is the alternating array and the array name specified as the parameter is the main array. The alternate array definition may precede or follow the main array definition.

The keywords on the main array define the loading for both arrays. The initialization data is in alternating order, beginning with the main array, as follows: main/alt/main/alt/...

In the alternate array definition, the PERRCD, FROMFILE, TOFILE, and CTDATA keywords are not valid.

### ALTSEQ(\*NONE)

When the ALTSEQ(\*NONE) keyword is specified, the alternate collating sequence will not be used for comparisons involving this field, even when the ALTSEQ keyword is specified on the control specification. ALTSEQ(\*NONE) on Data



Definition specifications will be meaningful only if one of ALTSEQ, ALTSEQ(\*SRC) or ALTSEQ(\*EXT) is coded in the control specifications. It is ignored if this is not true.

ALTSEQ(\*NONE) is a valid keyword for:

- Character standalone fields
- Character arrays
- Character tables
- Character subfields
- Data structures
- Character return values on Procedure Interface or Prototype definitions
- Character Prototyped Parameters

### ASCEND

The ASCEND keyword is used to describe the sequence of the data in any of the following:

- An array
- A table loaded at prerun-time or compile time
- A prototyped parameter

See also “DESCEND” on page 301.

Ascending sequence means that the array or table entries must start with the lowest data entry (according to the collating sequence) and go to the highest. Items with equal value are allowed.

A prerun-time array or table is checked for the specified sequence at the time the array or table is loaded with data. If the array or table is out of sequence, control passes to the RPG IV exception/error handling routine. A run-time array (loaded by input and/or calculation specifications) is not sequence checked.

When ALTSEQ(\*EXT) is specified, the alternate collating sequence is used when checking the sequence of compile-time arrays or tables. If the alternate sequence is not known until run-time, the sequence is checked at run-time; if the array or table is out of sequence, control passes to the RPG IV exception/error handling routine.

A sequence (ascending or descending) must be specified if the LOOKUP operation, %LOOKUPxx built-in, or %TLOOKUPxx built-in is used to search an array or table for an entry to determine whether the entry is high or low compared to the search argument.

If the SORTA operation code is used with an array, and no sequence is specified, an ascending sequence is assumed.

### BASED(basing\_pointer\_name)

When the BASED keyword is specified for a data structure or standalone field, a **basing pointer** is created using the name specified as the keyword parameter. This basing pointer holds the address (storage location) of the **based** data structure or standalone field being defined. In other words, the name specified in positions 7-21 is used to refer to the data stored at the location contained in the basing pointer.

## Definition-Specification Keywords

**Note:** Before the based data structure or standalone field can be used, the basing pointer must be assigned a valid address.

If an array is defined as a based standalone field it must be a *run-time* array.

If a based field is defined within a subprocedure, then both the field and the basing pointer are local.

### CCSID(number | \*DFT)

This keyword sets the CCSID for graphic and UCS-2 definitions.

**number** must be an integer between 0 and 65535. It must be a valid graphic or UCS-2 CCSID value. A valid graphic CCSID is 65535 or a CCSID with the EBCDIC double-byte encoding scheme (X'1200'). A valid UCS-2 CCSID has the UCS-2 encoding scheme (x'7200').

For program-described fields, CCSID(number) overrides the defaults set on the control specification with the CCSID(\*GRAPH: \*SRC), CCSID(\*GRAPH: number), or CCSID(\*UCS2: number) keyword.

CCSID(\*DFT) indicates that the default CCSID for the module is to be used. This is useful when the LIKE keyword is used since the new field would otherwise inherit the CCSID of the source field.

If the keyword is not specified, the default graphic or UCS-2 CCSID of the module is assumed. (This keyword is not allowed for graphic fields when CCSID(\*GRAPH : \*IGNORE) is specified or assumed).

If this keyword is not specified and the LIKE keyword is specified, the new field will have the same CCSID as the LIKE field.

### CLASS(\*JAVA:class-name)

This keyword indicates the class for an object definition.

**class-name** must be a constant character value.

### CONST{(constant)}

The CONST keyword is used

- To specify the value of a named constant
- To indicate that a parameter passed by reference is read-only.

*When specifying the value of a named constant*, the CONST keyword itself is optional. That is, the constant value can be specified with or without the CONST keyword.

The parameter must be a literal, figurative constant, or built-in-function. The constant may be continued on subsequent lines by adhering to the appropriate continuation rules (see "Continuation Rules" on page 239 for further details).

If a named constant is used as a parameter for the keywords DIM, OCCURS, PERRCD, or OVERLAY, the named constant must be defined prior to its use.

When specifying a read-only reference parameter, you specify the keyword `CONST` on the definition specification of the parameter definition on both the prototype and procedure interface. No parameter to the keyword is allowed.

When the keyword `CONST` is specified, the compiler may copy the parameter to a temporary and pass the address of the temporary. Some conditions that would cause this are: the passed parameter is an expression or the passed parameter has a different format.

### Attention!

Do not use this keyword on a prototype definition unless you are sure that the parameter will not be changed by the called program or procedure.

If the called program or procedure is compiled using a procedure interface with the same prototype, you do not have to worry about this, since the compiler will check this for you.

Although a `CONST` parameter cannot be changed by statements within the procedure, the value may be changed as a result of statements outside of the procedure, or by directly referencing a global variable.

Passing a parameter by constant value has the same advantages as passing by value. In particular, it allows you to pass literals and expressions.

## CTDATA

The `CTDATA` keyword indicates that the array or table is loaded using compile-time data. The data is specified at the end of the program following the `**CTDATA(array/table name)` specification.

When an array or table is loaded at compilation time, it is compiled along with the source program and included in the program. Such an array or table does not need to be loaded separately every time the program is run.

## DATFMT(format{separator})

The `DATFMT` keyword specifies the internal date format, and optionally the separator character, for any of these items of type Date: standalone field; data-structure subfield; prototyped parameter; or return value on a prototype or procedure-interface definition. This keyword will be automatically generated for an externally described data structure subfield of type Date and determined at compile time.

If `DATFMT` is not specified, the Date field will have the date format and separator as specified by the `DATFMT` keyword on the control specification, if present. If none is specified on the control specification, then it will have \*ISO format.

See Table 27 on page 196 for valid formats and separators. For more information on internal formats, see “Internal and External Formats” on page 169.

## DESCEND

The `DESCEND` keyword describes the sequence of the data in any of the following:

- An array

## Definition-Specification Keywords

- A table loaded at prerun-time or compile time
- A prototyped parameter

See also “ASCEND” on page 299.

Descending sequence means that the array or table entries must start with the highest data entry (according to the collating sequence) and go to the lowest. Items with equal value are allowed.

A prerun-time array or table is checked for the specified sequence at the time the array or table is loaded with data. If the array or table is out of sequence, control passes to the RPG IV exception/error handling routine. A run-time array (loaded by input and/or calculation specifications) is not sequence checked.

When ALTSEQ(\*EXT) is specified, the alternate collating sequence is used when checking the sequence of compile-time arrays or tables. If the alternate sequence is not known until run-time, the sequence is checked at run-time; if the array or table is out of sequence, control passes to the RPG IV exception/error handling routine.

A sequence (ascending or descending) must be specified if the LOOKUP operation, %LOOKUPxx built-in, or %TLOOKUPxx built-in is used to search an array or table for an entry to determine whether the entry is high or low compared to the search argument.

If the SORTA operation code is used with an array, and no sequence is specified, an ascending sequence is assumed.

### DIM(numeric\_constant)

The DIM keyword defines the number of elements in an array, table, a prototyped parameter, array data structure, or a return value on a prototype or procedure-interface definition.

The numeric constant must have zero (0) decimal positions. It can be a literal, a named constant or a built-in function.

The constant value does not need to be known at the time the keyword is processed, but the value must be known at compile-time.

When DIM is specified on a data structure definition, the data structure must be a qualified data structure, and subfields must be referenced as fully qualified names, i.e. "dsname(x).subf". Other array keywords, such as CTDATA, FROMFILE, TOFILE, and PERRCD are not allowed with an array data structure definition.

### DTAARA({{\*VAR:} data\_area\_name})

The DTAARA keyword is used to associate a standalone field, data structure, data-structure subfield or data-area data structure with an external data area. The DTAARA keyword has the same function as the \*DTAARA DEFINE operation code (see “\*DTAARA DEFINE” on page 609).

The DTAARA keyword can only be used in the main source section. It cannot be used in a subprocedure.

You can create three kinds of data areas:

- \*CHAR Character

- \*DEC Numeric
- \*LGL Logical

You can also create a DDM data area (type \*DDM) that points to a data area on a remote system of one of the three types above.

Only character and numeric types (excluding float numeric) are allowed to be associated with data areas. The actual data area on the system must be of the same type as the field in the program, with the same length and decimal positions. Indicator fields can be associated with either a logical data area or a character data area. If you want to store other types in a data area, you can use a data structure for the data area, and code the subfields of any type, except pointers. Pointers cannot be stored in data areas.

If `data_area_name` is not specified, then the name specified in positions 7-21 is also the name of the external data area. If neither the parameter nor the data-structure name is specified, then the default is \*LDA.

If \*VAR is not specified, the `data_area_name` parameter can be either a name or a literal. If a name is specified, the name of the parameter of DTAARA is used as the name of the data area. For example, DTAARA(MYDTA) means that the data area \*LIBL/MYDTA will be used at runtime. It must be a valid data area name, including \*LDA (for the local data area) and \*PDA (for the program initialization parameters data area). If a literal is specified, the value of the literal is used as the name of the data area. For example, DTAARA('LIB/DTA') will use data area DTA in library LIB, at runtime.

If \*VAR is specified, the value of `data_area_name` is used as the data area name. This value can be:

- A named constant whose value is the name of the data area.
- A character variable that will hold the name of the data area at runtime.

You can specify the value in any of the following forms:

```
dtaaraname
libname/dtaaraname
*LIBL/dtaaraname
```

### Notes:

1. You cannot specify \*CURLIB as the library name.
2. If you specify a data area name without a library name, \*LIBL is used.
3. The name must be in the correct case. For example, if you specify DTAARA(\*VAR:dtaname) and variable dtaname has the value 'qtemp/mydta', the data area will not be found. Instead, it should have the value 'QTEMP/MYDTA'.

### Attention!

If DTAARA(\*VAR) keyword is used with a UDS data area, and the name is a variable, then this variable must have the value set before the program starts. This can be done by initializing the variable, passing the variable as an entry parameter, or sharing the variable with another program through the IMPORT and EXPORT keywords.

When the DTAARA keyword is specified, the IN, OUT, and UNLOCK operation codes can be used on the data area.

### EXPORT{(external\_name)}

The specification of the EXPORT keyword allows a globally defined data structure or standalone field defined within a module to be used by another module in the program. The storage for the data item is allocated in the module containing the EXPORT definition. The external\_name parameter, if specified, must be a character literal or constant.

The EXPORT keyword on the definition specification is used to export data items and cannot be used to export procedure names. To export a procedure name, use the EXPORT keyword on the procedure specification.

**Note:** The initialization for the storage occurs when the program entry procedure (of the program containing the module) is first called. RPG IV will not do any further initialization on this storage, even if the procedure ended with LR on, or ended abnormally on the previous call.

The following restrictions apply when EXPORT is specified:

- Only one module may define the data item as exported
- You cannot export a field that is specified in the Result-Field entry of a PARM in the \*ENTRY PLIST
- Unnamed data structures cannot be exported
- BASED data items cannot be exported
- The same external field name cannot be specified more than once per module and also cannot be used as an external procedure name
- IMPORT and EXPORT cannot both be specified for the same data item.

For a multiple-occurrence data structure or table, each module will contain its own copy of the occurrence number or table index. An OCCUR or LOOKUP operation in any module will have only a local impact since the occurrence number or index is local to each module.

See also "IMPORT{(external\_name)}" on page 311.

#### TIP

The keywords IMPORT and EXPORT allow you to define a "hidden" interface between modules. As a result, use of these keywords should be limited only to those data items which are global throughout the application. It is also suggested that this global data be limited to things like global attributes which are set once and never modified elsewhere.

### EXTFLD(field\_name)

The EXTFLD keyword is used to rename a subfield in an externally described data structure. Enter the external name of the subfield as the parameter to the EXTFLD keyword, and specify the name to be used in the program in the Name field (positions 7-21).

The keyword is optional. If not specified, the name extracted from the external definition is used as the data-structure subfield name.

If the PREFIX keyword is specified for the data structure, the prefix will not be applied to fields renamed with EXTFLD.

**EXTFMT(code)**

The EXTFMT keyword is used to specify the external data type for compile-time and prerun-time numeric arrays and tables. The external data type is the format of the data in the records in the file. This entry has no effect on the format used for internal processing (internal data type) of the array or table in the program.

**Note:** The values specified for EXTFMT will apply to the files identified in both the TOFILE and FROMFILE keywords, even if the specified names are different.

The possible values for the parameter are:

- B** The data for the array or table is in binary format.
- C** The data for the array or table is in UCS-2 format.
- I** The data for the array or table is in integer format.
- L** The data for a numeric array or table element has a preceding (left) plus or minus sign.
- R** The data for a numeric array or table element has a following (right) plus or minus sign.
- P** The data for the array or table is in packed decimal format.
- S** The data for the array or table is in zoned decimal format.
- U** The data for the array or table is in unsigned format.
- F** The data for the array or table is in float numeric format.

**Notes:**

1. If the EXTFMT keyword is not specified, the external format defaults to 'S' for non-float arrays and tables, and to the external display float representation for float pre-runtime arrays and tables.
2. For compile-time arrays and tables, the only values allowed are S, L, and R, unless the data type is float, in which case the EXTFMT keyword is not allowed.
3. When EXTFMT(I) or EXTFMT(U) is used, arrays defined as having 1 to 5 digits will occupy 2 bytes per element. Arrays defined as having 6 to 10 digits will occupy 4 bytes per element. Arrays defined as having 11 to 20 digits will occupy 8 bytes per element.
4. The default external format for UCS-2 arrays is character. The number of characters allowed for UCS-2 compile-time data is the number of double-byte characters in the UCS-2 array. If graphic data is included in the data, the presence of double-byte data and the shift-out and shift-in characters in the data will reduce the actual amount of data that can be placed in the array element; the rest of the element will be padded with blanks. For example, for a 4-character UCS-2 array, only one double-byte character can be specified in the compile-time data; if the compile-time data were 'oXXi', where 'XX' is converted to the UCS-2 character U'yyyy', the UCS-2 element would contain the value U'yyyy002000200020'.

**EXTNAME(file-name{:format-name}\*:ALLI\*INPUT\*OUTPUT\*KEY))**

The EXTNAME keyword is used to specify the name of the file which contains the field descriptions used as the subfield description for the data structure being defined.

## Definition-Specification Keywords

The `file_name` parameter is required. Optionally a format name may be specified to direct the compiler to a specific format within a file. If `format_name` parameter is not specified the first record format is used.

The last parameter specifies which fields in the external record to extract:

- **\*ALL** extracts all fields.
- **\*INPUT** extracts just input capable fields.
- **\*OUTPUT** extracts just output capable fields.
- **\*KEY** extracts just key fields.

If this parameter has not specified, the compiler extracts the fields of the input buffer.

### Notes:

1. If the format-name is not specified,, the record defaults to the first record in the file.
2. For **\*INPUT** and **\*OUTPUT**, subfields included in the data structure occupy the same start positions as in the external record description.

If the data structure definition contains an E in position 22, and the `EXTNAME` keyword is not specified, the name specified in positions 7-21 is used.

The compiler will generate the following definition specification entries for all fields of the externally described data structure:

- Subfield name (Name will be the same as the external name, unless renamed by keyword `EXTFLD` or the `PREFIX` keyword on a definition specification is used to apply a prefix).
- Subfield length
- Subfield internal data type (will be the same as the external type, unless the `CVTOPT` control specification keyword or command parameter is specified for the type. In that case the data type will be character).

All data structure keywords except `LIKEDS` and `LIKEREC` are allowed with the `EXTNAME` keyword.

## EXTPGM(name)

The `EXTPGM` keyword indicates the external name of the program whose prototype is being defined. The name can be a character constant or a character variable. When `EXTPGM` is specified, then a dynamic call will be done.

If neither `EXTPGM` or `EXTPROC` is specified, then the compiler assumes that you are defining a prototype for a procedure, and assigns it the external name found in positions 7-21.

Any parameters defined by a prototype with `EXTPGM` must be passed by reference. In addition, you cannot define a return value.

## EXTPROC({\*CLI\*CWIDENI\*CNOWIDENI {\*JAVA:class-name:}}name)

The `EXTPROC` keyword can have one of the following formats:



**EXTPROC(\*CL:name)**

Specifies an external procedure that is written in ILE CL, or an RPG procedure to be called by ILE CL. Use \*CL if your program uses return values with data types that CL handles differently from RPG. For example, use \*CL when prototyping an RPG procedure that is to be called by a CL procedure when the return value is 1A.

**EXTPROC(\*CWIDEN:name | \*CNOWIDEN:name)**

Specifies an external procedure that is written in ILE C, or an RPG procedure to be called by ILE C.

Use \*CNOWIDEN or \*CWIDEN if your program uses return values or parameters passed by value with data types that C handles differently from RPG. Use \*CWIDEN or \*CNOWIDEN when prototyping an RPG procedure that is to be called by C, or when prototyping a C procedure when the returned value or a parameter passed by value is 1A, 1G or 1C, 5U, 5I, or 4F.

Use \*CNOWIDEN if the ILE C source contains #pragma argument (procedure-name,nowiden) for the procedure; otherwise, use \*CWIDEN.

**EXTPROC(\*JAVA:class-name:name)**

Specifies a method that is written in Java, or an RPG native method to be called by Java. The first parameter is \*JAVA. The second parameter is a character constant containing the class of the method. The third parameter is a character constant containing the method name. The special method name \*CONSTRUCTOR means that the method is a constructor; this method can be used to instantiate a class (create a new class instance).

For more information about invoking Java procedures, see *WebSphere Development Studio: ILE RPG Programmer's Guide*.

**EXTPROC(name)**

Specifies an external procedure that is written in or to be called by RPG or COBOL. This format should also be used for a procedure that can be called by any of RPG, COBOL, C, or CL; in this case, you must ensure that the return value and the parameters do not have any of the problems listed above for \*CL, \*CWIDEN, and \*CNOWIDEN.

The EXTPROC keyword indicates the external name of the procedure whose prototype is being defined. The name can be a character constant or a procedure pointer. When EXTPROC is specified, a bound call will be done.

If neither EXTPGM or EXTPROC is specified, then the compiler assumes that you are defining a procedure, and assigns it the external name found in positions 7-21.

If the name specified for EXTPROC (or the prototype name, if neither EXTPGM or EXTPROC are specified) starts with "CEE" or an underscore ('\_'), the compiler will treat this as a system built-in. To avoid confusion with system provided APIs, you should not name your procedures starting with "CEE".

For example, to define the prototype for the procedure SQLAllocEnv, that is in the service program QSQCLI, the following definition specification could be coded:

```
D SQLEnv PR EXTPROC('SQLAllocEnv')
```

If a procedure pointer is specified, it must be assigned a valid address before it is used in a call. It should point to a procedure whose return value and parameters are consistent with the prototype definition.

## Definition-Specification Keywords

Figure 110 shows an example of the EXTPROC keyword with a procedure pointer as its parameter.

```
* Assume you are calling a procedure that has a procedure
* pointer as the EXTPROC. Here is how the prototype would
* be defined:
D DspMsg PR 10A EXTPROC(DspMsgPPtr)
D Msg 32767A
D Length 4B 0 VALUE
* Here is how you would define the prototype for a procedure
* that DspMsgPPtr could be assigned to.
D MyDspMsg PR LIKE(DspMsg)
D Msg 32767A
D Length 4B 0 VALUE
* Before calling DSPMSG, you would assign DSPMSGPPTR
* to the actual procedure name of MyDspMsg, that is
* MYDSPMSG.
C EVAL DspMsgPPtr = %paddr('MYDSPMSG')
C EVAL Reply = DspMsg(Msg, %size(Msg))
...
P MyDspMsg B
```

Figure 110. Using EXTPROC with a Procedure Pointer

```
char RPG_PROC (short s, float f);
char C_PROC (short s, float f);
#pragma argument(RPG_PROC, nowiden)
#pragma argument(C_PROC, nowiden)

/* "fn" calls the RPG procedure with unwidened parameters, */
/* and expects the return value to be passed according to C */
/* conventions. */
void fn(void)
{
 char c;

 c = RPG_PROC(5, 15.3);
}

/* Function C_PROC expects its parameters to be passed unwidened.*/
/* It will return its return value using C conventions. */
char C_PROC (short s, float f);
{
 char c = 'x';

 if (s == 5 || f < 0)
 {
 return 'S';
 }
 else
 {
 return 'F';
 }
}
```

Figure 111. Using EXTPROC with \*CNOWIDEN - C Code

```

D RPG_PROC PR 1A EXTPROC(*CNOWIDEN : 'RPG_PROC')
D short 5I 0 VALUE
D float 4F VALUE

D C_RPROC PR 1A EXTPROC(*CNOWIDEN : 'C_PROC')
D short 5I 0 VALUE
D float 4F VALUE

P RPG_PROC B EXPORT
D PI 1A
D short 5I 0 VALUE
D float 4F VALUE

D char S 1A

* Call the C procedure
C EVAL c = C_PROC(4 : 14.7)

* Return the value depending on the values of the parameters
C IF short < float
C RETURN 'L'
C ELSE
C RETURN 'G'
C ENDIF

P E

```

Figure 112. Using EXTPROC with \*CNOWIDEN - RPG Code

```

char RPG_PROC (short s, float f);
char C_PROC (short s, float f);

/* Function "fn" calls the RPG procedure with widened parameters,*/
/* and expects the return value to be passed according to C */
/* conventions. */
void fn(void)
{
 char c;

 c = RPG_PROC(5, 15.3);
}

/* Function C_PROC expects its parameters to be passed widened. */
/* It will return its return value using C conventions. */
char C_PROC (short s, float f);
{
 char c = 'x';

 if (s == 5 || f < 0)
 {
 return 'S';
 }
 else
 {
 return 'F';
 }
}

```

Figure 113. Using EXTPROC with \*CWIDEN - C Code

## Definition-Specification Keywords

```
D RPG_PROC PR 1A EXTPROC(*CWIDEN : 'RPG_PROC')
D short 5I 0 VALUE
D float 4F VALUE

D C_PROC PR 1A EXTPROC(*CWIDEN : 'C_PROC')
D short 5I 0 VALUE
D float 4F VALUE

P RPG_PROC B EXPORT
D PI 1A
D short 5I 0 VALUE
D float 4F VALUE

D char S 1A

* Call the C procedure
C EVAL c = C_PROC(4 : 14.7)

* Return the value depending on the values of the parameters
C IF short < float
C RETURN 'L'
C ELSE
C RETURN 'G'
C ENDIF

P E
```

Figure 114. Using EXTPROC with \*CWIDEN - RPG Code

```
/* CL procedure CL_PROC */
DCL &CHAR1 TYPE(*CHAR) LEN(1)

/* Call the RPG procedure */
CALLPRC RPG_PROC RTNVAR(&CHAR1)
```

Figure 115. Using EXTPROC with \*CL - CL Code

```
D RPG_PROC PR 1A EXTPROC(*CL : 'RPG_PROC')

P RPG_PROC B EXPORT
D PI 1A

C RETURN 'X'

P E
```

Figure 116. Using EXTPROC with \*CL - RPG Code

## FROMFILE(file\_name)

The FROMFILE keyword is used to specify the file with input data for the prerun-time array or table being defined. The FROMFILE keyword must be specified for every prerun-time array or table used in the program.

See also “TOFILE(file\_name)” on page 334.

**IMPORT{(external\_name)}**

The IMPORT keyword specifies that storage for the data item being defined is allocated in another module, but may be accessed in this module. The external\_name parameter, if specified, must be a character literal or constant.

If a name is defined as imported but no module in the program contains an exported definition of the name, an error will occur at link time. See “EXPORT{(external\_name)}” on page 304.

The IMPORT keyword on the definition specification is used to import data items and cannot be used to import procedure names. Procedure names are imported implicitly, to all modules in the program, when the EXPORT keyword is specified on a procedure specification.

The following restrictions apply when IMPORT is specified:

- The data item may not be initialized (the INZ keyword is not allowed). The exporting module manages all initialization for the data.
- An imported field cannot be defined as a compile-time or prerun-time array or table, or as a data area. (Keywords CTDATA, FROMFILE, TOFILE, EXTFMT, PERRCD, and DTAARA are not allowed.)
- An imported field may not be specified as an argument to the RESET operation code since the initial value is defined in the exporting module.
- You cannot specify an imported field in the Result-Field entry of a PARM in the \*ENTRY PLIST.
- You cannot define an imported field as based (the keyword BASED is not allowed).
- This keyword is not allowed for unnamed data structures.
- The only other keywords allowed are DIM, EXTNAME, LIKE, OCCURS, and PREFIX.
- The same external field name cannot be specified more than once per module and also cannot be used as an external procedure name.

For a multiple-occurrence data structure or table, each module will contain its own copy of the occurrence number or table index. An OCCUR or LOOKUP operation in any module will have only a local impact since the occurrence number or index is local to each module.

**INZ{(initial value)}**

The INZ keyword initializes the standalone field, data structure, data-structure subfield, or object to the default value for its data type or, optionally, to the constant specified in parentheses.

- For a program described data structure, no parameter is allowed for the INZ keyword.
- For an externally described data structure, only the \*EXTDFT parameter is allowed.
- For a data structure that is defined with the LIKEDS keyword, the value \*LIKEDS specifies that subfields are initialized in the same way as the parent data structure. This applies only to initialization specified by the INZ keyword on the parent subfield. It does not apply to initialization specified by the CTDATA or FROMFILE keywords. If the parent data structure has some subfields initialized by CTDATA or FROMFILE, the data structure initialized with INZ(\*LIKEDS) will not have the CTDATA or FROMFILE data.

## Definition-Specification Keywords

- For an object, only the \*NULL parameter is allowed. Every object is initialized to \*NULL, whether or not you specify INZ(\*NULL).

The initial value specified must be consistent with the type being initialized. The initial value can be a literal, named constant, figurative constant, built-in function, or one of the special values \*SYS, \*JOB, \*EXTDFT, \*USER, \*LIKEDS, or \*NULL. When initializing Date or Time data type fields or named constants with Date or Time values, the format of the literal must be consistent with the default format as derived from the Control specification, regardless of the actual format of the date or time field.

A numeric field may be initialized with any type of numeric literal. However, a float literal can only be used with a float field. Any numeric field can be initialized with a hexadecimal literal of 16 digits or fewer. In this case, the hexadecimal literal is considered an unsigned numeric value.

Specifying INZ(\*EXTDFT) initializes externally described data-structure subfields with the default values from the DFT keyword in the DDS. If no DFT or constant value is specified, the DDS default value for the field type is used. You can override the value specified in the DDS by coding INZ with or without a parameter on the subfield specification.

Specifying INZ(\*EXTDFT) on the external data structure definition, initializes all externally described subfields to their DDS default values. If the externally described data structure has additional program described subfields, these are initialized to the RPG default values.

When using INZ(\*EXTDFT), take note of the following:

- If the DDS value for a date or time field is not in the RPG internal format, the value will be converted to the internal format in effect for the program.
- External descriptions must be in physical files.
- If \*NULL is specified for a null-capable field in the DDS, the compiler will use the DDS default value for that field as the initial value.
- If DFT("") is specified for a varying length field, the field will be initialized with a string of length 0.
- INZ(\*EXTDFT) is not allowed if the CVTOPT option is in effect.

Specifying INZ(\*USER) initializes any character field or subfield to the name of the current user profile. Character fields must be at least 10 characters long. If the field is longer than 10 characters, the user name is left-justified in the field with blanks in the remainder.

Date fields can be initialized to \*SYS or \*JOB. Time and Timestamp fields can be initialized to \*SYS.

Please see "Initialization of Nested Data Structures" on page 132 for a complete description of the use of the INZ keyword in the initialization of nested data structures.

A data structure, data-structure subfield, or standalone field defined with the INZ keyword cannot be specified as a parameter on an \*ENTRY PLIST.

**Note:** When the INZ parameter is *not* specified:

- Static standalone fields and subfields of initialized data structures are initialized to their RPG default initial values (for example, blanks for character, 0 for numeric).
- Subfields of uninitialized data structures (INZ not specified on the definition specification for the data structure) are initialized to blanks (regardless of their data type).

This keyword is not valid in combination with BASED or IMPORT.

### LIKE(name)

The LIKE keyword is used to define an item like an existing one. For information about using LIKE with an object, see “LIKE(object-name)” on page 314.

When the LIKE keyword is specified, the item being defined takes on the length and the data format of the item specified as the parameter. Standalone fields, prototypes, parameters, and data-structure subfields may be defined using this keyword. The parameter of LIKE can be a standalone field, a data structure, a data structure subfield, a parameter in a procedure interface definition, or a prototype name. The data type entry (position 40) must be blank.

This keyword is similar to the \*LIKE DEFINE operation code (see “\*LIKE DEFINE” on page 607). However, it differs from \*LIKE DEFINE in that the defined data takes on the data format and CCSID as well as the length.

**Note:** Attributes such as ALTSEQ(\*NONE), NOOPT, ASCEND, CONST and null capability are not inherited from the parameter of LIKE by the item defined. Only the data type, length, decimal positions, and CCSID are inherited.

If the parameter of LIKE is a prototype, then the item being defined will have the same data type as the return value of the prototype. If there is no return value, then an error message is issued.

Here are some considerations for using the LIKE keyword with different data types:

- **For character fields**, the number specified in the To/Length entry is the number of additional (or fewer) characters.
- **For numeric fields**, the number specified in the To/Length entry is the number of additional (or fewer) digits. For integer or unsigned fields, adjustment values must be such that the resulting number of digits for the field are 3, 5, 10, or 20. For float fields, length adjustment is not allowed.
- **For graphic or UCS-2 fields**, the number specified in the To/Length entry is the number of additional (or fewer) graphic or UCS-2 characters (1 graphic or UCS-2 character = 2 bytes).
- **For date, time, timestamp, basing pointer, or procedure pointer fields**, the To/Length entry (positions 33-39) must be blank.

When LIKE is used to define an array, the DIM keyword is still required to define the array dimensions. However, DIM(%elem(array)) can be used to define an array exactly like another array.

Use LIKEDS to define a data structure like another data structure, with the same subfields.

## Definition-Specification Keywords

The following are examples of defining data using the LIKE keyword.

```
*.. 1 ...+... 2 ...+... 3 ...+... 4 ...+... 5 ...+... 6 ...+... 7 ...+... 8
DName+++++ETDsFrom+++To/L+++IDc.Keywords+++++
D.....Keywords+++++
*
* Define a field like another with a length increase of 5 characters.
*
D Name S 20
D Long_name S +5 LIKE(Name)
*
* Define a data structure subfield array with DIM(20) like another
* field and initialize each array element with the value *ALL'X'.
* Also, declare another subfield of type pointer immediately
* following the first subfield. Pointer is implicitly defined
* with a length of 16 bytes
*
D Struct DS
D Dim20 LIKE(Name) DIM(20) INZ(*ALL'X')
D Pointer *
*
* Define a field which is based on the *LDA. Take the length and type
* of the field from the field 'Name'.
*
D Lda_fld S LIKE(Name) DTAARA(*LDA)
```

Figure 117. Defining fields LIKE other fields

### LIKE(object-name)

You can use the LIKE keyword to specify that one object has the same class as a previously defined object. Only the values on the CLASS keyword are inherited.

```
* Variables MyString and OtherString are both Java String objects.
D MyString S 0 CLASS(*JAVA
D : 'java.lang.String')
D OtherString S LIKE(MyString)
* Proc is a Java method returning a Java String object
D Proc PR EXTPROC(*JAVA: 'MyClass': 'meth')
D LIKE(MyString)
```

Figure 118. Defining objects LIKE other objects

**Note:** You cannot use the \*LIKE DEFINE operation to define an object. You must use the LIKE keyword.

### LIKEDS(data\_structure\_name)

The LIKEDS keyword is used to define a data structure, data structure subfield, prototyped return value, or prototyped parameter like another data structure. The subfields of the new item will be identical to the subfields of the parent data structure specified as the parameter to the LIKEDS keyword.

A data structure defined using LIKEDS is automatically qualified even if the parent data structure is not qualified. The subfields must be referred to using the qualified notation DSNAME.SUBFIELDNAME. If the parent data structure has any unnamed subfields, the child data structure will have the same unnamed subfields.

LIKEDS can be coded for subfields of a qualified data structure. When LIKEDS is coded on a data structure subfield definition, the subfield data structure is automatically defined as QUALIFIED. Subfields in a LIKEDS subfield data



#  
#  
#

structure are referenced in fully qualified form: "ds.subf.subfa". Subfields defined with LIKEDS are themselves data structures, and can be used wherever a data structure is required.

The values of the ALIGN and ALTSEQ keywords are inherited by the new data structure. The values of the OCCURS, DIM, NOOPT, and INZ keywords are not inherited. To initialize the subfields in the same way as the parent data structure, specify INZ(\*LIKEDS).

```

* Data structure qualDs is a qualified data structure
* with two named subfields and one unnamed subfield
D qualDs DS QUALIFIED
D a1 10A
D 2A
D a2 5P 0 DIM(3)
* Data structure unqualDs is a non-qualified data structure
* with one named subfield and one unnamed subfield
D unqualDs DS
D b1 5A
D 5A
* Data structure likeQual is defined LIKEDS(qualDs)
D likeQual DS LIKEDS(qualDs)
* Data structure likeUnqual is defined LIKEDS(unqualDs)
D likeUnqual DS LIKEDS(unqualDs)
/FREE
// Set values in the subfields of the
// parent data structures.
qualDs.a1 = 'abc';
qualDs.a2(1) = 25;
b1 = 'xyz';

// Set values in the subfields of the
// child data structures.
likeQual.a1 = 'def';
likeQual.a2(2) = -250;
likeUnqual.b1 = 'rst';

// Display some of the subfields
dsply likeQual.a1; // displays 'def'
dsply b1; // displays 'xyz'

```

Figure 119. Defining data structures using LIKEDS

```

D sysName DS qualified
D lib 10A inz(*LIBL')
D obj 10A
D userSpace DS LIKEDS(sysName) INZ(*LIKEDS)
// The variable "userSpace" was initialized with *LIKEDS, so the
// first 'lib' subfield was initialized to '*LIBL'. The second
// 'obj' subfield must be set using a calculation.
C eval userSpace.obj = 'TEMPSPACE'

```

Figure 120. Using INZ(\*LIKEDS)

```

P createSpace B
D createSpace PI
D name LIKEDS(sysName)
 /free
 if name.lib = *blanks;
 name.lib = '*LIBL';
 endif;
 QUSCRTUS (name : *blanks : 4096 : ' ' : '*USE' : *blanks);
 /end-free
P createSpace E

```

Figure 121. Using a data structure parameter in a subprocedure

### LIKEREC(intrecname{:\*ALL|\*INPUT|\*OUTPUT |\*KEY})

Keyword LIKEREC is used to define a data structure, data structure subfield, prototyped return value, or prototyped parameter like a record. The subfields of the data structure will be identical to the fields in the record. LIKEREC can take an optional second parameter which indicates which fields of the record to include in the data structure. These include:

- **\*ALL** All fields in the external record are extracted.
- **\*INPUT** All input-capable fields are extracted. (This is the default.)
- **\*OUTPUT** All output-capable fields are extracted.
- **\*KEY** The key fields are extracted in the order that the keys are defined on the K specification in the DDS.

The following should be taken into account when using the LIKEREC keyword:

- The first parameter for keyword LIKEREC is a record name in the program. If the record name has been renamed, it is the internal name for the record.
- The second parameter for LIKEREC must match the definition of the associated record or file. **\*INPUT** is only allowed for input and update capable records; **\*OUTPUT** is only allowed for output capable records; **\*ALL** is allowed for any type of record; and **\*KEY** is only allowed for keyed files. If not specified, the parameter defaults to **\*INPUT**.
- For **\*INPUT** and **\*OUTPUT**, subfields included in the data structure occupy the same start positions as in the external record description.
- If a prefix was specified for the file, the specified prefix is applied to the names of the subfields.
- Even if a field in the record is explicitly renamed on an input specification the external name (possibly prefixed) is used, not the internal name.
- A data structure defined with LIKEREC is a **QUALIFIED** data structure. The names of the subfields will be qualified with the new data structure name, DS1.SUBF1.
- LIKEREC can be coded for subfields of a qualified data structure. When LIKEREC is coded on a data structure subfield definition, the subfield data structure is automatically defined as **QUALIFIED**. Subfields in a LIKEREC subfield data structure are referenced in fully qualified form: "ds.subf.subfa". Subfields defined with LIKEREC are themselves data structures, and can be used wherever a data structure is required.

```

#
#
#
#
#
#
#
#

```

## NOOPT

The NOOPT keyword indicates that no optimization is to be performed on the standalone field, parameter or data structure for which this keyword is specified. Specifying NOOPT ensures that the content of the data item is the latest assigned value. This may be necessary for those fields whose values are used in exception handling.

**Note:** The optimizer may keep some values in registers and restore them only to storage at predefined points during normal program execution. Exception handling may break this *normal* execution sequence, and consequently program variables contained in registers may not be returned to their assigned storage locations. As a result, when those variables are used in exception handling, they may not contain the latest assigned value. The NOOPT keyword will ensure their currency.

If a data item which is to be passed by reference is defined with the NOOPT keyword, then any prototype or procedure interface parameter definition must also have the NOOPT keyword specified. This requirement does not apply to parameters passed by value.

### TIP

Any data item defined in an OPM RPG/400 program is implicitly defined with NOOPT. So if you are creating a prototype for an OPM program, you should specify NOOPT for all parameters defined within the prototype. This will avoid errors for any users of the prototype.

All keywords allowed for standalone field definitions, parameters, or data structure definitions are allowed with NOOPT.

## OCCURS(numeric\_constant)

The OCCURS keyword allows the specification of the number of occurrences of a multiple-occurrence data structure.

The numeric\_constant parameter must be a value greater than 0 with no decimal positions. It can be a numeric literal, a built-in function returning a numeric value, or a numeric constant.

The constant value does not need to be known at the time the keyword is processed, but the value must be known at compile-time.

This keyword is not valid for a program status data structure, a file information data structure, or a data area data structure.

If a multiple occurrence data structure contains pointer subfields, the distance between occurrences must be an exact multiple of 16 because of system storage restrictions for pointers. This means that the distance between occurrences may be greater than the length of each occurrence.

The following is an example showing the storage allocation of a multiple occurrence data structure with pointer subfields.

## Definition-Specification Keywords

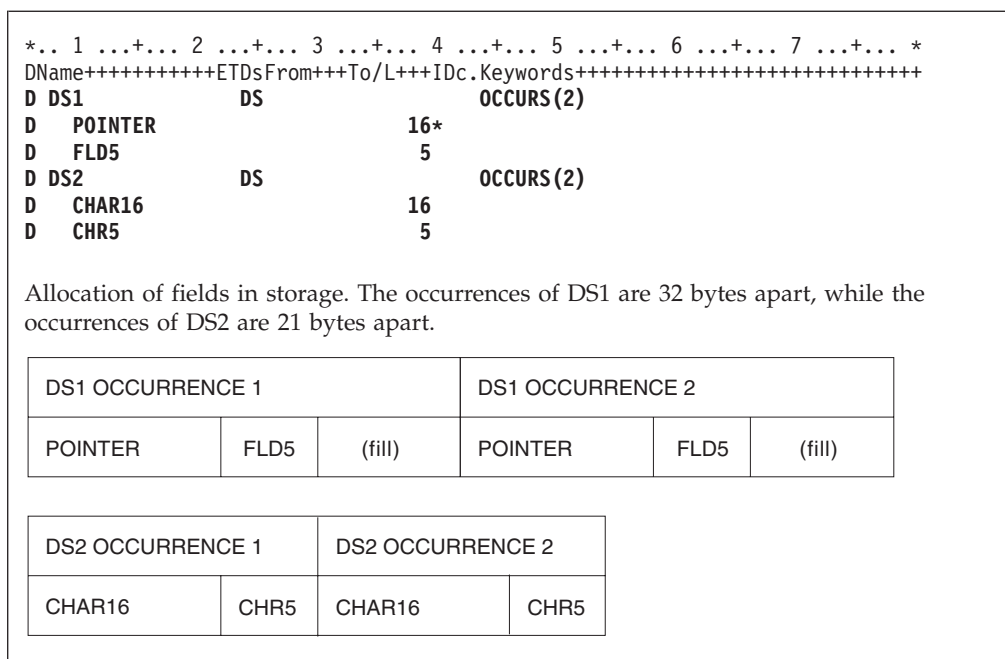


Figure 122. Storage Allocation of Multiple Occurrence Data Structure with Pointer Subfields

## OPDESC

The OPDESC keyword specifies that operational descriptors are to be passed with the parameters that are defined within a prototype.

When OPDESC is specified, operational descriptors are passed with all character or graphic parameters that are passed by reference. If you attempt to retrieve an operational descriptor for a parameter passed by value, an error will result.

**Note:** Operational descriptors are not passed for UCS-2 fields.

Using CALLP with a prototyped procedure whose prototype contains OPDESC is the same as calling a procedure using CALLB (D). Operational descriptors are also passed for procedures called within expressions.

The keyword applies both to a prototype definition and to a procedure-interface definition. It cannot be used with the EXTPGM keyword.

For an example of the OPDESC keyword, see the service program example in the *WebSphere Development Studio: ILE RPG Programmer's Guide*.

## OPTIONS(\*NOPASS \*OMIT \*VARSIZE \*STRING \*TRIM \*RIGHTADJ \*NULLIND)

The OPTIONS keyword is used to specify one or more parameter passing options:

- Whether a parameter must be passed
- Whether the special value \*OMIT can be passed for the parameter passed by reference.
- Whether a parameter that is passed by reference can be shorter in length than is specified in the prototype.

#

- Whether the called program or procedure is expecting a pointer to a null-terminated string, allowing you to specify a character expression as the passed parameter.
- Whether the parameter should be trimmed of blanks before being passed.
- Whether the parameter value should be right-adjusted in the passed parameter.
- Whether the null-byte-map should be passed with the parameter.

When `OPTIONS(*NOPASS)` is specified on a definition specification, the parameter does not have to be passed on the call. Any parameters following that specification must also have `*NOPASS` specified. When the parameter is not passed to a program or procedure, the called program or procedure will simply function as if the parameter list did not include that parameter. If the unpassed parameter is accessed in the called program or procedure, unpredictable results will occur.

When `OPTIONS(*OMIT)` is specified, then the value `*OMIT` is allowed for that parameter. `*OMIT` is only allowed for `CONST` parameters and parameters which are passed by reference. For more information on omitted parameters, see the chapter on calling programs and procedures in *WebSphere Development Studio: ILE RPG Programmer's Guide*.

`OPTIONS(*VARSIZE)` is valid only for parameters passed by reference that have a character, graphic, or UCS-2 data type, or that represent an array of any type.

When `OPTIONS(*VARSIZE)` is specified, the passed parameter may be shorter or longer in length than is defined in the prototype. It is then up to the called program or subprocedure to ensure that it accesses only as much data as was passed. To communicate the amount of data passed, you can either pass an extra parameter containing the length, or use operational descriptors for the subprocedure. For variable-length fields, you can use the `%LEN` built-in function to determine the current length of the passed parameter.

When `OPTIONS(*VARSIZE)` is omitted for fixed-length fields, you must pass *at least* as much data as is required by the prototype; for variable-length fields, the parameter must have the same declared maximum length as indicated on the definition.

**Note:** For the parameter passing options `*NOPASS`, `*OMIT`, and `*VARSIZE`, it is up to the programmer of the procedure to ensure that these options are handled. For example, if `OPTIONS(*NOPASS)` is coded and you choose to pass the parameter, the procedure must check that the parameter was passed before it accesses it. The compiler will not do any checking for this.

When `OPTIONS(*STRING)` is specified for a basing pointer parameter passed by value or by constant-reference, you may either pass a pointer or a character expression. If you pass a character expression, a temporary value will be created containing the value of the character expression followed by a null-terminator (`x'00'`). The address of this temporary value will be passed to the called program or procedure.

When `OPTIONS(*RIGHTADJ)` is specified for a `CONST` or `VALUE` parameter in a prototype, the character, graphic, or UCS-2 parameter value is right adjusted. This keyword is not allowed for a varying length parameter within a procedure prototype. Varying length values may be passed as parameters on a procedure call where the corresponding parameter is defined with `OPTIONS(*RIGHTADJ)`.

## Definition-Specification Keywords

# When OPTIONS(\*TRIM) is specified for a CONST or VALUE parameter of type  
# character, UCS-2 or graphic, the passed parameter is copied without leading and  
# trailing blanks to a temporary. If the parameter is not a varying length parameter,  
# the trimmed value is padded with blanks (on the left if OPTIONS(\*RIGHTADJ) is  
# specified, otherwise on the right). Then the temporary is passed instead of the  
# original parameter. Specifying OPTIONS(\*TRIM) causes the parameter to be passed  
# exactly as though %TRIM were coded on every call to the procedure.

# When OPTIONS(\*STRING : \*TRIM) is specified for a CONST or VALUE parameter  
# of type pointer, the character parameter or %STR of the pointer parameter is  
# copied without leading or trailing blanks to a temporary, a null-terminator is  
# added to the temporary and the address of the temporary is passed.

| When OPTIONS(\*NULLIND) is specified for a parameter, the null-byte map is  
| passed with the parameter, giving the called procedure direct access to the  
| null-byte map of the caller's parameter. Note the following rules for  
| OPTIONS(\*NULLIND).

- | • ALWNULL(\*USRCTL) must be in effect.
- | • OPTIONS(\*NULLIND) is not valid for parameters passed by value.
- | • The only other options that can be specified with OPTIONS(\*NULLIND) are  
| \*NOPASS and \*OMIT.
- | • Only variables may be passed as the parameter when OPTIONS(\*NULLIND) is  
| specified, and the variable must be an exact match even when CONST is  
| specified.
- | • If the parameter is a data structure, the passed parameter must be defined with  
| the same parent LIKEDS or LIKEREK as the prototyped parameter. Furthermore,  
| the null-capability of the prototyped parameter and passed parameter must  
| match exactly.
- | • A prototyped data structure parameter can have OPTIONS(\*NULLIND)  
| specified whether or not there are any null-capable subfields.
- | • If a non-data-structure prototyped parameter is defined with  
| OPTIONS(\*NULLIND), the parameter in the procedure interface is defined as  
| null-capable.
- | • See *WebSphere Development Studio: ILE RPG Programmer's Guide* for information  
| about using OPTIONS(\*NULLIND) when the calling procedure or called  
| procedure is not written using ILE RPG.

You can specify more than one option. For example, to specify that an optional  
parameter can be shorter than the prototype indicates, you would code  
OPTIONS(\*VARSIZE : \*NOPASS).

The following example shows how to code a prototype and procedure that use  
OPTIONS(\*NOPASS) to indicate that a parameter is optional.

```

* The following prototype describes a procedure that expects
* either one or two parameters.
D FormatAddress PR 45A
D City 20A CONST
D Province 20A CONST OPTIONS(*NOPASS)
* The first call to FormatAddress only passes one parameter. The
* second call passes both parameters.
C EVAL A = FormatAddress('North York')
C EVAL A = FormatAddress('Victoria' : 'B.C.')
C RETURN
*-----
* FormatAddress:
* This procedure must check the number of parameters since the
* second was defined with OPTIONS(*NOPASS).
* It should only use the second parameter if it was passed.
*-----
P FormatAddress B
D FormatAddress PI 45A
D City 20A CONST
D ProvParm 20A CONST OPTIONS(*NOPASS)
D Province S 20A INZ('Ontario')
* Set the local variable Province to the value of the second
* parameter if it was passed. Otherwise let it default to
* 'Ontario' as it was initialized.
C IF %PARMS > 1
C EVAL Province = ProvParm
C ENDIF
* Return the city and province in the form City, Province
* for example 'North York, Ontario'
C RETURN %TRIMR(City) + ', ' + Province
P FormatAddress E

```

Figure 123. Using OPTIONS(\*NOPASS) to Indicate that a Parameter is Optional

The following example shows how to code a prototype and procedure using OPTIONS(\*OMIT) to indicate that the special value \*OMIT may be passed as a parameter.

## Definition-Specification Keywords

```

FQSYSPRT 0 F 10 PRINTER USROPN
* The following prototype describes a procedure that allows
* the special value *OMIT to be passed as a parameter.
* If the parameter is passed, it is set to '1' if an error
* occurred, and '0' otherwise.
D OpenFile PR
D Error 1A OPTIONS(*OMIT)
C SETOFF 10
* The first call to OpenFile assumes that no error will occur,
* so it does not bother with the error code and passes *OMIT.
C CALLP OpenFile(*OMIT)
* The second call to OpenFile passes an indicator so that
* it can check whether an error occurred.
C CALLP OpenFile(*IN10)
C IF *IN10
C ... an error occurred
C ENDIF
C RETURN
*-----
* OpenFile
* This procedure must check the number of parameters since the
* second was defined with OPTIONS(*OMIT).
* It should only use the second parameter if it was passed.
*-----
P OpenFile B
D OpenFile PI
D Error 1A OPTIONS(*OMIT)
D SaveIn01 S 1A
* Save the current value of indicator 01 in case it is being
* used elsewhere.
C EVAL SaveIn01 = *IN01
* Open the file. *IN01 will indicate if an error occurs.
C OPEN QSYSPRT 01
* If the Error parameter was passed, update it with the indicator
C IF %ADDR(Error) <> *NULL
C EVAL Error = *IN01
C ENDIF
* Restore *IN01 to its original value.
C EVAL *IN01 = SaveIn01
P OpenFile E

```

Figure 124. Using OPTIONS(\*OMIT)

The following example shows how to code a prototype and procedure allowing variable-length parameters, using OPTIONS(\*VARSIZE).



```

* The following prototype describes a procedure that allows
* both a variable-length array and a variable-length character
* field to be passed. Other parameters indicate the lengths.
D Search PR 5U 0
D SearchIn 50A OPTIONS(*VARSIZE)
D DIM(100) CONST
D ArrayLen 5U 0 VALUE
D ArrayDim 5U 0 VALUE
D SearchFor 50A OPTIONS(*VARSIZE) CONST
D FieldLen 5U 0 VALUE
D Arr1 S 1A DIM(7) CTDATA PERRCD(7)
D Arr2 S 10A DIM(3) CTDATA
D Elem S 5U 0
* Call Search to search an array of 7 elements of length 1 with
* a search argument of length 1. Since the '*' is in the 5th
* element of the array, Elem will have the value 5.
C EVAL Elem = Search(Arr1 :
C %SIZE(Arr1) : %ELEM(Arr1) :
C '*' : 1)
* Call Search to search an array of 3 elements of length 10 with
* a search argument of length 4. Since 'Pink' is not in the
* array, Elem will have the value 0.
C EVAL Elem = Search(Arr2 :
C %SIZE(Arr2) : %ELEM(Arr2) :
C 'Pink' : 4)
C RETURN

```

Figure 125. Using OPTIONS(\*VARSIZE) (Part 1 of 2)

## Definition-Specification Keywords

```
*-----
* Search:
* Searches for SearchFor in the array SearchIn. Returns
* the element where the value is found, or 0 if not found.
* The character parameters can be of any length or
* dimension since OPTIONS(*VARSIZE) is specified for both.
*-----
P Search B
D Search PI 5U 0
D SearchIn 50A OPTIONS(*VARSIZE)
D DIM(100) CONST
D ArrayLen 5U 0 VALUE
D ArrayDim 5U 0 VALUE
D SearchFor 50A OPTIONS(*VARSIZE) CONST
D FieldLen 5U 0 VALUE
D I S 5U 0
* Check each element of the array to see if it the same
* as the SearchFor. Use the dimension that was passed as
* a parameter rather than the declared dimension. Use
* %SUBST with the length parameter since the parameters may
* not have the declared length.
C 1 DO ArrayDim I 5 0
* If this element matches SearchFor, return the index.
C IF %SUBST(SearchIn(I) : 1 : ArrayLen)
C = %SUBST(SearchFor : 1 : FieldLen)
C RETURN I
C ENDF
C ENDDO
* No matching element was found.
C RETURN 0
P Search E
Compile-time data section:

**CTDATA ARR1
A2$@*jM
**CTDATA ARR2
Red
Blue
Yellow
```

Figure 125. Using OPTIONS(\*VARSIZE) (Part 2 of 2)

The following example shows how to use OPTIONS(\*STRING) to code a prototype and procedure that use a null-terminated string parameter.

```

* The following prototype describes a procedure that expects
* a null-terminated string parameter. It returns the length
* of the string.
D StringLen PR 5U 0
D Pointer * VALUE OPTIONS(*STRING)
D P S *
D Len S 5U 0
* Call StringLen with a character literal. The result will be
* 4 since the literal is 4 bytes long.
C EVAL Len = StringLen('abcd')
* Call StringLen with a pointer to a string. Use ALLOC to get
* storage for the pointer, and use %STR to initialize the storage
* to 'My string-' where '-' represents the null-termination
* character x'00'.
* The result will be 9 which is the length of 'My string'.
C ALLOC 25 P
C EVAL %STR(P:25) = 'My string'
C EVAL Len = StringLen(P)
* Free the storage.
C DEALLOC P
C RETURN
*-----
* StringLen:
* Returns the length of the string that the parameter is
* pointing to.
*-----
P StringLen B
D StringLen PI 5U 0
D Pointer * VALUE OPTIONS(*STRING)
C RETURN %LEN(%STR(Pointer))
P StringLen E

```

Figure 126. Using OPTIONS(\*STRING)

## Definition-Specification Keywords

```
* The following prototype describes a procedure that expects
* these parameters:
* 1. trimLeftAdj - a fixed length parameter with the
* non-blank data left-adjusted
* 2. leftAdj - a fixed length parameter with the
* value left-adjusted (possibly with
* leading blanks)
* 3. trimRightAdj - a fixed length parameter with the
* non-blank data right-adjusted
* 4. rightAdj - a fixed length parameter with the
* value right-adjusted (possibly with
* trailing blanks)
* 5. trimVar - a varying parameter with no leading
* or trailing blanks
* 6. var - a varying parameter, possibly with
* leading or trailing blanks
*
D trimProc PR
D trimLeftAdj 10a const options(*trim)
D leftAdj 10a const
D trimRightAdj 10a value options(*rightadj : *trim)
D rightAdj 10a value options(*rightadj)
D trimVar 10a const varying options(*trim)
D var 10a value varying
* The following prototype describes a procedure that expects
* these parameters:
* 1. trimString - a pointer to a null-terminated string
* with no leading or trailing blanks
* 2. string - a pointer to a null-terminated string,
* possibly with leading or trailing blanks
*
#
#
#
```

Figure 127. Using OPTIONS(\*TRIM) (Part 1 of 2)

```

D trimStringProc PR
D trimString * value options(*string : *trim)
D string * value options(*string)
D ptr *
/free
// trimProc is called with the same value passed
// for every parameter
//
// The called procedure receives the following parameters
// trimLeftAdj 'abc '
// leftAdj ' abc '
// trimRightAdj ' abc'
// rightAdj ' abc '
// trimVar 'abc'
// var ' abc '

callp trimProc (' abc ' : ' abc ' : ' abc ' :
 ' abc ' : ' abc ' : ' abc ');
// trimStringProc is called with the same value passed
// for both parameters
//
// The called procedure receives the following parameters,
// where ~ represents x'00'
// trimstring pointer to 'abc~'
// string pointer to ' abc ~'

callp trimStringProc (' abc ' : ' abc ');

// trimStringProc is called with the same pointer passed
// to both parameters
//
// The called procedure receives the following parameters,
// where ~ represents x'00'
// trimstring pointer to 'xyz~'
// string pointer to 'xyz~'

pointer to ' xyz ~'
ptr = %alloc (6);
%str(ptr : 6) = ' xyz ';
callp trimStringProc (ptr : ptr);

```

#

 Figure 127. Using `OPTIONS(*TRIM)` (Part 2 of 2)

## Definition-Specification Keywords

```

*-----
* DDS for file NULLFILE
*-----
A R TESTREC
A NULL1 10A ALWNULL
A NOTNULL2 10A
A NULL3 10A ALWNULL

*-----
* Calling procedure
*-----

* The externally-described data structure DS, and the
* data structure DS2 defined LIKE DS(ds) have
* null-capable fields NULL1 and NULL3.
D ds E DS EXTNAME(nullFile)
D ds2 DS LIKE DS(ds)
* Procedure PROC specifies OPTIONS(*NULLIND) for all its
* parameters. When the procedure is called, the
* null-byte maps of the calling procedure's parameters
* will be passed to the called procedure allowing the
* called procedure to use %NULLIND(paramname) to access the
* null-byte map.
D proc PR
D parm LIKE DS(ds)
D OPTIONS(*NULLIND)
D parm2 10A OPTIONS(*NULLIND)
D parm3 10A OPTIONS(*NULLIND) CONST

/free
// The calling procedure sets some values
// in the parameters and their null indicators
%nullind(ds.null1) = *on;
ds.notnull2 = 'abcde';
ds.null3 = 'fghij';
%nullind(ds.null3) = *off;
ds2.null1 = 'abcde';
%nullind(ds2.null1) = *on;
%nullind(ds3.null3) = *off;
// The procedure is called (see the code for
// the procedure below
proc (ds : ds2.null1 : ds2.null3);

// After "proc" returns, the calling procedure
// displays some results showing that the
// called procedure changed the values of
// the calling procedure's parameters and
// their null-indicators
dsply (%nullind(ds.null1)); // displays '0'
dsply ds2.null2; // displays 'newval'
dsply (%nullind(ds2.null2)); // displays '0'
/end-free

```

Figure 128. Using OPTIONS(\*NULLIND) (Part 1 of 2)

```

*-----
* Called procedure PROC
*-----
P B
D proc PI
D parm LIKEDS(ds)
D OPTIONS(*NULLIND)
D parm2 10A OPTIONS(*NULLIND)
D parm3 10A OPTIONS(*NULLIND) CONST
/free
 if %NULLIND(parm.null1);
 // This code will be executed because the
 // caller set on the null indicator for
 // subfield NULL1 of the parameter DS
 endif;

 if %NULLIND(parm3);
 // PARM3 is defined as null-capable since it was
 // defined with OPTIONS(*NULLIND).
 // This code will not be executed, because the
 // caller set off the null-indicator for the parameter
 endif;

 // Change some data values and null-indicator values
 // The calling procedure will see the updated values.
 parm2 = 'newvalue';
 %NULLIND(parm2) = *OFF;
 %NULLIND(parm.null1) = *OFF;
 parm.null1 = 'newval';
 return;
/end-free
P E

```

Figure 128. Using `OPTIONS(*NULLIND)` (Part 2 of 2)

## OVERLAY(name{:pos | \*NEXT})

The `OVERLAY` keyword overlays the storage of one subfield with that of another subfield, or with that of the data structure itself. This keyword is allowed only for data structure subfields.

The Name-entry subfield overlays the storage specified by the name parameter at the position specified by the pos parameter. If pos is not specified, it defaults to 1.

**Note:** The pos parameter is in units of bytes, regardless of the types of the subfields.

Specifying `OVERLAY(name:*NEXT)` positions the subfield at the next available position within the overlaid field. (This will be the first byte past all other subfields prior to this subfield that overlay the same subfield.)

The following rules apply to keyword `OVERLAY`:

1. The name parameter must be the name of a subfield defined previously in the current data structure, or the name of the current data structure.
2. If the data structure is qualified, the first parameter to the `OVERLAY` keyword must be specified without the qualifying data structure name. In the following example, subfield `MsgInfo.MsgPrefix` overlays subfield `MsgInfo.MsgId`.

## Definition-Specification Keywords

```

D MsgInfo DS QUALIFIED
D MsgId 7
D MsgPrefix 3 OVERLAY(MsgId)

```

3. The pos parameter (if specified) must be a value greater than 0 with no decimal positions. It can be a numeric literal, a built-in function returning a numeric value, or a numeric constant. If pos is a named constant, it must be defined prior to this specification.
4. The OVERLAY keyword is not allowed when the From-Position entry is not blank.
5. If the name parameter is a subfield, the subfield being defined must be contained completely within the subfield specified by the name parameter.
6. Alignment of subfields defined using the OVERLAY keyword must be done manually. If they are not correctly aligned, a warning message is issued.
7. If the subfield specified as the first parameter for the OVERLAY keyword is an array, the OVERLAY keyword applies to each element of the array. That is, the field being defined is defined as an array with the same number of elements. The first element of this array overlays the first element of the overlaid array, the second element of this array overlays the second element of the overlaid array, and so on. No array keywords may be specified for the subfield with the OVERLAY keyword in this situation. (Refer to Figure 129) See also "SORTA (Sort an Array)" on page 770.

If the subfield name, specified as the first parameter for the OVERLAY keyword, is an array and its element length is longer than the length of the subfield being defined, the array elements of the subfield being defined are not stored contiguously. Such an array is not allowed as the Result Field of a PARM operation or in Factor 2 or the Result Field of a MOVEA operation.

8. If the ALIGN keyword is specified for the data structure, subfields defined with OVERLAY(name:\*NEXT) are aligned to their preferred alignment. Pointer subfields are always aligned on a 16-byte boundary.
9. If a subfield with overlaying subfields is not otherwise defined, the subfield is implicitly defined as follows:
  - The start position is the first available position in the data structure.
  - The length is the minimum length that can contain all overlaying subfields. If the subfield is defined as an array, the length will be increased to ensure proper alignment of all overlaying subfields.

### Examples

```

*.. 1 ...+... 2 ...+... 3 ...+... 4 ...+... 5 ...+... 6 ...+... 7 ...+... *
DName+++++ETDsFrom+++To/L+++IDc.Keywords+++++
D DataStruct DS
D A 10 DIM(5)
D B 5 OVERLAY(A)
D C 5 OVERLAY(A:6)

```

Allocation of fields in storage:

|      |      |      |      |      |      |      |      |      |      |
|------|------|------|------|------|------|------|------|------|------|
| A(1) |      | A(2) |      | A(3) |      | A(4) |      | A(5) |      |
| B(1) | C(1) | B(2) | C(2) | B(3) | C(3) | B(4) | C(4) | B(5) | C(5) |

Figure 129. Storage Allocation of Subfields with Keywords DIM and OVERLAY



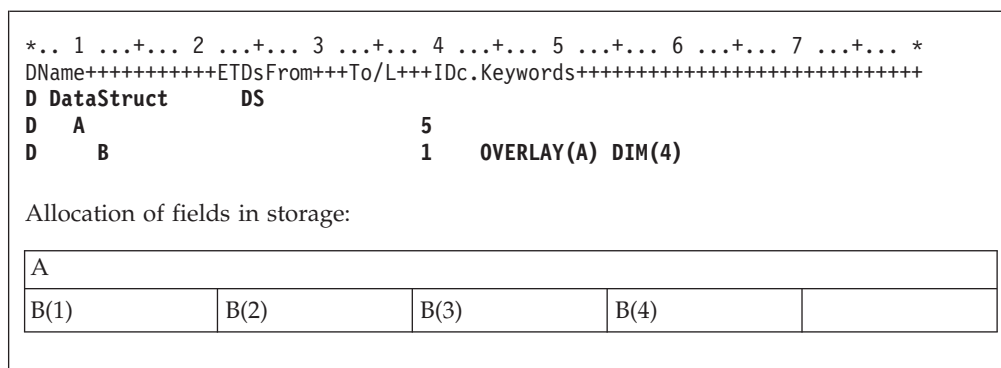


Figure 130. Storage Allocation of Subfields with Keywords DIM and OVERLAY

The following example shows two equivalent ways of defining subfield overlay positions: explicitly with (name:pos) and implicitly with (name:\*NEXT).

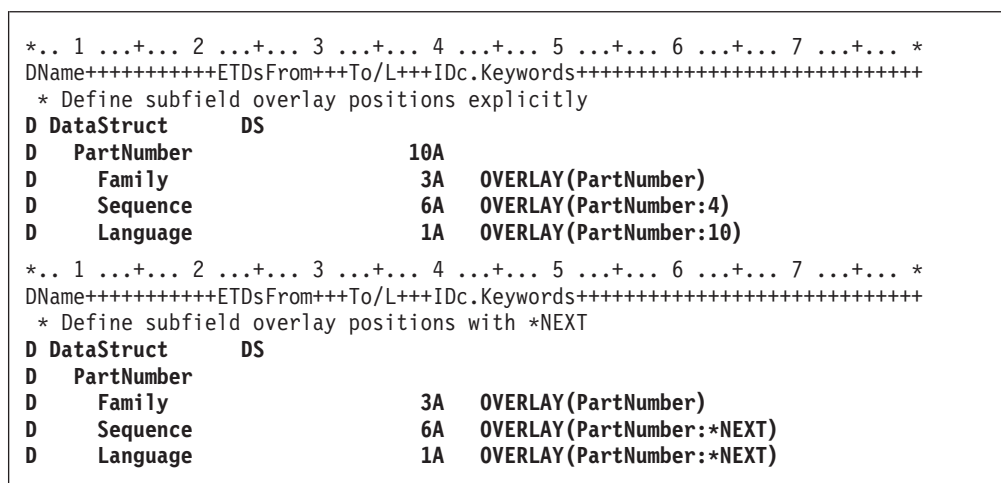


Figure 131. Defining Subfield Overlay Positions with \*NEXT

## PACKEVEN

The PACKEVEN keyword indicates that the packed field or array has an even number of digits. The keyword is only valid for packed program-described data-structure subfields defined using FROM/TO positions. For a field or array element of length N, if the PACKEVEN keyword is not specified, the number of digits is 2N - 1; if the PACKEVEN keyword is specified, the number of digits is 2(N-1).

## PERRCD(numeric\_constant)

The PERRCD keyword allows you to specify the number of elements per record for a compile-time or a prerun-time array or table. If the PERRCD keyword is not specified, the number of elements per record defaults to one (1).

The numeric\_constant parameter must be a value greater than 0 with no decimal positions. It can be a numeric literal, a built-in function returning a numeric value, or a numeric constant. If the parameter is a named constant, it does not need to be defined prior to this specification.

The PERRCD keyword is valid only when the keyword FROMFILE, TOFILE, or CTDATA is specified.

## PREFIX(prefix{:nbr\_of\_char\_replaced})

The PREFIX keyword allows the specification of a character string or character literal which is to be prefixed to the subfield names of the externally described data structure being defined. In addition, you can optionally specify a numeric value to indicate the number of characters, if any, in the existing name to be replaced. If the parameter 'nbr\_of\_char\_replaced' is not specified, then the string is attached to the beginning of the name. To remove characters from the beginning of every name, specify an empty string as the first parameter: PREFIX('':number\_to\_remove).

If the 'nbr\_of\_char\_replaced' is specified, it must represent a numeric value between 0 and 9 with no decimal places. Specifying a value of zero is the same as not specifying 'nbr\_of\_char\_replaced' at all. For example, the specification PREFIX(YE:3) would change the field name 'YTDTOTAL' to 'YETOTAL'.

The 'nbr\_of\_char\_replaced' parameter can be a numeric literal, a built-in function that returns a numeric value, or a numeric constant. If it is a named constant, then the constant must be defined prior to the specification containing the PREFIX keyword. In addition, if it is a built-in function, all parameters to the built-in function must be defined prior to the specification containing the keyword PREFIX.

The following rules apply:

- Subfields that are explicitly renamed using the EXTFLD keyword are not affected by this keyword.
- The total length of a name after applying the prefix must not exceed the maximum length of an RPG field name.
- If the number of characters in the name to be prefixed is less than or equal to the value represented by the 'nbr\_of\_char\_replaced' parameter, then the entire name is replaced by the prefix\_string.
- The prefix cannot end in a period.
- If the prefix is a character literal, it must be uppercase.

The following example uses PREFIX('':2) on the externally-described data structures DS1 and DS2. The fields of the file FILE1 all begin with the characters X4, and the fields of the file FILE2 all begin with the characters WR. If the two files have any fields whose names are the same aside from the initial two characters, then by specifying PREFIX('':2) for the externally-described data structures, the subfields will have identical names within the RPG program. This will enable the subfields to be assigned using the EVAL-CORR operation.

```

Ffile1 if e disk
Ffile2 o e disk
D ds1 e ds extname(file1) prefix('':2)
D qualified
D ds2 e ds extname(file2) prefix('':2)
D qualified
/free
 read file1 ds1; // Read into data structure
 eval-corr ds2 = ds1; // Assign fields with same name
 write file2 ds2; // Write from data structure
/end-free

```

Figure 132. Using PREFIX to remove characters from the names

For more examples, see "PREFIX(prefix{:nbr\_of\_char\_replaced})" on page 283.

## PROCPTR

The PROCPTR keyword defines an item as a procedure pointer. The internal Data-Type field (position 40) must contain a \*.

## QUALIFIED

The QUALIFIED keyword specifies that the subfields of a data structure will be accessed by specifying the data structure name followed by a period and the subfield name. The data structure must have a name.

The subfields can have any valid name, even if the name has been used elsewhere in the program. This is illustrated in the following example:

```
* In this example, FILE1 and FILE2 are the names of files. FILE1 and FILE2 are
* also subfields of qualified data structure FILESTATUS. This is valid,
* because the subfields FILE1 and FILE2 must be qualified by the data structure
* name: FILESTATUS.FILE1 and FILESTATUS.FILE2.
```

```
Ffile1 if e disk
Ffile2 if e disk

D fileStatus ds qualified
D file1 N
D file2 N

C open(e) file1
C eval fileStatus.file1 = %error
```

## STATIC

The STATIC keyword is used:

- To specify that a local variable is stored in static storage
- To specify that a Java method is defined as a static method.

*For a local variable of a subprocedure,* the STATIC keyword specifies that the data item is to be stored in static storage, and thereby hold its value across calls to the procedure in which it is defined. The keyword can only be used within a subprocedure. All global fields are static.

The data item is initialized when the program or service program it is contained in is first activated. It is *not* reinitialized again, even if reinitialization occurs for global definitions as part of normal cycle processing.

If STATIC is not specified, then any locally defined data item is stored in automatic storage. Data stored in automatic storage is initialized at the beginning of every call. When a procedure is called recursively, each invocation gets its own copy of the storage.

*For a Java method,* the STATIC keyword specifies that the method is defined as static. If STATIC is not specified, the method is assumed to be an instance method.

## TIMFMT(format{separator})

The TIMFMT keyword allows the specification of an internal time format, and optionally the time separator, for any of these items of type Time: standalone field; data-structure subfield; prototyped parameter; or return value on a prototype or procedure-interface definition. This keyword will be automatically generated for an externally described data-structure subfield of type Time.

## Definition-Specification Keywords

If TIMFMT is not specified, the Time field will have the time format and separator as specified by the TIMFMT keyword on the control specification, if present. If none is specified on the control specification, then it will have \*ISO format.

See Table 30 on page 198 for valid formats and separators. For more information on internal formats, see “Internal and External Formats” on page 169.

### TOFILE(file\_name)

The TOFILE keyword allows the specification of a target file to which a prerun-time or compile-time array or table is to be written.

If an array or table is to be written, specify the file name of the output or combined file as the keyword parameter. This file must also be defined in the file description specifications. An array or table can be written to only one output device.

If an array or table is assigned to an output file, it is automatically written if the LR indicator is on at program termination. The array or table is written after all other records are written to the file.

If an array or table is to be written to the same file from which it was read, the same file name that was specified as the FROMFILE parameter must be specified as the TOFILE parameter. This file must be defined as a combined file (C in position 17 on the file description specification).

### VALUE

The VALUE keyword indicates that the parameter is passed by value rather than by reference. Parameters can be passed by value when the procedure they are associated with are called using a procedure call.

The VALUE keyword cannot be specified for a parameter if its prototype was defined using the EXTPGM keyword. Calls to programs require that parameters be passed by reference.

The rules for what can be passed as a value parameter to a called procedure are the same as the rules for what can be assigned using the EVAL operation. The parameter received by the procedure corresponds to the left-hand side of the expression; the passed parameter corresponds to the right-hand side. See “EVAL (Evaluate expression)” on page 632 for more information.

### VARYING

The VARYING keyword indicates that a character, graphic, or UCS-2 field, defined on the definition specifications, should have a variable-length format. If this keyword is not specified for character, graphic, or UCS-2 fields, they are defined as fixed length.

For more information, see “Variable-Length Character, Graphic and UCS-2 Formats” on page 175.

---

## Summary According to Definition Specification Type

Table 42 on page 335 lists the required and allowed entries for each definition specification type.

## Summary According to Definition Specification Type

Table 43 and Table 44 on page 336 list the keywords allowed for each definition specification type.

In each of these tables, an **R** indicates that an entry in these positions is required and an **A** indicates that an entry in these positions is allowed.

*Table 42. Required/Allowed Entries for each Definition Specification Type*

| Type                          | Pos. 7-21<br>Name | Pos. 22<br>External | Pos. 23<br>DS Type | Pos.<br>24-25<br>Defn.<br>Type | Pos.<br>26-32<br>From | Pos.<br>33-39 To<br>/ Length | Pos. 40<br>Data-<br>type | Pos.<br>41-42<br>Decimal<br>Pos. | Pos.<br>44-80<br>Key-<br>words |
|-------------------------------|-------------------|---------------------|--------------------|--------------------------------|-----------------------|------------------------------|--------------------------|----------------------------------|--------------------------------|
| Data Structure                | A                 | A                   | A                  | R                              |                       | A                            |                          |                                  | A                              |
| Data Structure Subfield       | A                 |                     |                    |                                | A                     | A                            | A                        | A                                | A                              |
| External Subfield             | A                 | R                   |                    |                                |                       |                              |                          |                                  | A                              |
| Standalone Field              | R                 |                     |                    | R                              |                       | A                            | A                        | A                                | A                              |
| Named Constant                | R                 |                     |                    | R                              |                       |                              |                          |                                  | R                              |
| Prototype                     | R                 |                     |                    | R                              |                       | A                            | A                        | A                                | A                              |
| Prototype Parameter           | A                 |                     |                    |                                |                       | A                            | A                        | A                                | A                              |
| Procedure Interface           | A                 |                     |                    | R                              |                       | A                            | A                        | A                                | A                              |
| Procedure Interface Parameter | R                 |                     |                    |                                |                       | A                            | A                        | A                                | A                              |

*Table 43. Data Structure, Standalone Fields, and Named Constants Keywords*

| Keyword             | Data Structure | Data Structure Subfield | External Subfield | Standalone Field | Named Constant |
|---------------------|----------------|-------------------------|-------------------|------------------|----------------|
| ALIGN               | A              |                         |                   |                  |                |
| ALT                 |                | A                       | A                 | A                |                |
| ALTSEQ              | A              | A                       | A                 | A                |                |
| ASCEND              |                | A                       | A                 | A                |                |
| BASED               | A              |                         |                   | A                |                |
| CCSID               |                | A                       |                   | A                |                |
| CLASS               |                |                         |                   | A                |                |
| CONST <sup>1</sup>  |                |                         |                   |                  | R              |
| CTDATA <sup>2</sup> |                | A                       | A                 | A                |                |
| DATFMT              |                | A                       |                   | A                |                |
| DESCEND             |                | A                       | A                 | A                |                |
| DIM                 | A              | A                       | A                 | A                |                |
| DTAARA <sup>2</sup> | A              | A                       |                   | A                |                |

## Summary According to Definition Specification Type

Table 43. Data Structure, Standalone Fields, and Named Constants Keywords (continued)

| Keyword               | Data Structure | Data Structure Subfield | External Subfield | Standalone Field | Named Constant |
|-----------------------|----------------|-------------------------|-------------------|------------------|----------------|
| EXPORT <sup>2</sup>   | A              |                         |                   | A                |                |
| EXTFLD                |                |                         | A                 |                  |                |
| EXTFMT                |                | A                       | A                 | A                |                |
| EXTNAME <sup>4</sup>  | A              |                         |                   |                  |                |
| FROMFILE <sup>2</sup> |                | A                       | A                 | A                |                |
| IMPORT <sup>2</sup>   | A              |                         |                   | A                |                |
| INZ                   | A              | A                       | A                 | A                |                |
| LIKE                  |                | A                       |                   | A                |                |
| LIKEDS <sup>5</sup>   | A              | A                       |                   |                  |                |
| LIKEREC               | A              | A                       |                   |                  |                |
| NOOPT                 | A              |                         |                   | A                |                |
| OCCURS                | A              |                         |                   |                  |                |
| OVERLAY               |                | A                       |                   |                  |                |
| PACKEVEN              |                | A                       |                   |                  |                |
| PERRCD                |                | A                       | A                 | A                |                |
| PREFIX <sup>4</sup>   | A              |                         |                   |                  |                |
| PROCPTR               |                | A                       |                   | A                |                |
| QUALIFIED             | A              |                         |                   |                  |                |
| STATIC <sup>3</sup>   | A              |                         |                   | A                |                |
| TIMFMT                |                | A                       |                   | A                |                |
| TOFILE <sup>2</sup>   |                | A                       | A                 | A                |                |
| VARYING               |                | A                       |                   | A                |                |

**Notes:**

1. When defining a named constant, the keyword is optional, but the parameter to the keyword is required. For example, to assign a named constant the value '10', you could specify either CONST('10') or '10'.
2. This keyword applies only to global definitions.
3. This keyword applies only to local definitions.
4. This keyword applies only to externally described data structures.
5. This keyword applies only to program-described data structures.

Table 44. Prototype, Procedure Interface, and Parameter Keywords

| Keyword | Prototype (PR) | Procedure Interface (PI) | PR or PI Parameter |
|---------|----------------|--------------------------|--------------------|
| ALTSEQ  | A              | A                        | A                  |
| ASCEND  |                |                          | A                  |
| CCSID   | A              | A                        | A                  |
| CLASS   | A              | A                        | A                  |
| CONST   |                |                          | A                  |
| DATFMT  | A              | A                        | A                  |

## Summary According to Definition Specification Type

Table 44. *Prototype, Procedure Interface, and Parameter Keywords (continued)*

| Keyword | Prototype (PR) | Procedure Interface (PI) | PR or PI Parameter |
|---------|----------------|--------------------------|--------------------|
| DESCEND |                |                          | A                  |
| DIM     | A              | A                        | A                  |
| EXTPGM  | A              |                          |                    |
| EXTPROC | A              |                          |                    |
| LIKE    | A              | A                        | A                  |
| LIKEDS  | A              | A                        | A                  |
| LIKEREC | A              | A                        | A                  |
| NOOPT   |                |                          | A                  |
| OPDESC  | A              | A                        |                    |
| OPTIONS |                |                          | A                  |
| PROCPTR | A              | A                        | A                  |
| STATIC  | A              | A                        |                    |
| TIMFMT  | A              | A                        | A                  |
| VALUE   |                |                          | A                  |
| VARYING | A              | A                        | A                  |

## Summary According to Definition Specification Type



---

## Chapter 16. Input Specifications

For a program-described input file, input specifications describe the types of records within the file, the sequence of the types of records, the fields within a record, the data within the field, indicators based on the contents of the fields, control fields, fields used for matching records, and fields used for sequence checking. For an externally described file, input specifications are optional and can be used to add RPG IV functions to the external description.

Detailed information for the input specifications is given in:

- Entries for program described files
- Entries for externally described files

---

### Input Specification Statement

The general layout for the Input specification is as follows:

- the input specification type (I) is entered in position 6
- the non-commentary part of the specification extends from position 7 to position 80
- the comments section of the specification extends from position 81 to position 100

#### Program Described

For program described files, entries on input specifications are divided into the following categories:

- Record identification entries (positions 7 through 46), which describe the input record and its relationship to other records in the file.

```
*.. 1 ...+... 2 ...+... 3 ...+... 4 ...+... 5 ...+... 6 ...+... 7 ...+... 8 ...+... 9 ...+... 10
IFilename++SqNORiPos1+NCCPos2+NCCPos3+NCC.....Comments+++++++
I.....And..RiPos1+NCCPos2+NCCPos3+NCC.....Comments+++++++
```

Figure 133. Program Described Record Layout

- Field description entries (positions 31 through 74), which describe the fields in the records. Each field is described on a separate line, below its corresponding record identification entry.

```
*.. 1 ...+... 2 ...+... 3 ...+... 4 ...+... 5 ...+... 6 ...+... 7 ...+... 8 ...+... 9 ...+... 10
I.....Fmt+SPFrom+To+++DcField+++++++L1M1FrP1MnZr.....Comments+++++++
```

Figure 134. Program Described Field Layout

#### Externally Described

For externally described files, entries on input specifications are divided into the following categories:

## Input Specification Statement

- Record identification entries (positions 7 through 16, and 21 through 22), which identify the record (the externally described record format) to which RPG IV functions are to be added.

```
*.. 1 ...+... 2 ...+... 3 ...+... 4 ...+... 5 ...+... 6 ...+... 7 ...+... 8 ...+... 9 ...+... 10
IRcdname+++...Ri.....Comments+++++++
```

Figure 135. Externally Described Record Layout

- Field description entries (positions 21 through 30, 49 through 66, and 69 through 74), which describe the RPG IV functions to be added to the fields in the record. Field description entries are written on the lines following the corresponding record identification entries.

```
*.. 1 ...+... 2 ...+... 3 ...+... 4 ...+... 5 ...+... 6 ...+... 7 ...+... 8 ...+... 9 ...+... 10
I.....Ext-field+.....Field+++++++L1M1..P1MnZr.....Comments+++++++
```

Figure 136. Externally Described Field Layout

---

## Program Described Files

### Position 6 (Form Type)

An I must appear in position 6 to identify this line as an input specification statement.

---

## Record Identification Entries

Record identification entries (positions 7 through 46) for a program described file describe the input record and its relationship to other records in the file.

### Positions 7-16 (File Name)

| Entry | Explanation |
|-------|-------------|
|-------|-------------|

|                          |  |
|--------------------------|--|
| <b>A valid file name</b> |  |
|--------------------------|--|

Same file name that appears on the file description specifications for the input file.

Enter the name of the file to be described in these positions. This name must be the same name defined for the file on the file description specifications. This file must be an input file, an update file, or a combined file. The file name must be entered on the first record identification line for each file and can be entered on subsequent record identification lines for that file. All entries describing one input file must appear together; they cannot be mixed with entries for other files.

### Positions 16-18 (Logical Relationship)

| Entry | Explanation |
|-------|-------------|
|-------|-------------|

|            |                                                |
|------------|------------------------------------------------|
| <b>AND</b> | More than three identification codes are used. |
|------------|------------------------------------------------|

|           |                                              |
|-----------|----------------------------------------------|
| <b>OR</b> | Two or more record types have common fields. |
|-----------|----------------------------------------------|

An unlimited number of AND/OR lines can be used. For more information see "AND Relationship" on page 345 and "OR Relationship" on page 345.

## Positions 17-18 (Sequence)

### Entry Explanation

#### Any two alphabetic characters

The program does not check for special sequence.

#### Any two-digit number

The program checks for special sequence within the group.

The numeric sequence entry combined with the number (position 19) and option (position 20) entries causes the program to check the sequence of input records within a file. If the sequence is not correct, control passes to the RPG IV exception/error handling routine. If AND or OR lines are specified, the sequence entry is made on the main record line of the group, not on the AND or OR lines.

Alphabetic and numeric entries can be made for different records (different record identification lines) in the same file, but records with alphabetic entries must be specified before records with numeric entries.

### Alphabetic Entries

Enter any two alphabetic characters in these positions when no sequence checking is to be done. It is common programming practice to specify these codes in a sequence that aids in program documentation. However, it is not necessary to use unique alphabetic entries.

### Numeric Entries

Enter a unique numeric code in positions 17 and 18 if one record type must be read before another record type in a file. Numeric entries must be in ascending order, starting with 01, but need not be consecutive. When a numeric entry is used, the appropriate entries must be made in positions 19 and 20.

To specify sequence checking, each record type must have a record identification code, and the record types must be numbered in the order in which they should appear. This order is checked as the records are read. If a record type is out of sequence, control passes to the RPG IV exception/error handling routine.

Sequence numbers ensure only that all records of each record type precede the records of higher sequence-numbered record types. The sequence numbers do not ensure that records within a record type are in any certain order. Sequence numbers are unrelated to control levels and do not provide for checking data in fields of a record for a special sequence. Use positions 65 and 66 (matching fields) to indicate that data in fields of a record should be checked for a special sequence.

## Position 19 (Number)

### Entry Explanation

**Blank** The program does not check record types for a special sequence (positions 17 and 18 have alphabetic entries).

**1** Only one record of this type can be present in the sequenced group.

**N** One or more records of this type can be present in the sequenced group.

This entry must be used when a numeric entry is made in positions 17 and 18. If an alphabetic entry is made in positions 17 and 18, this entry must be blank.

### Position 20 (Option)

| Entry | Explanation |
|-------|-------------|
|-------|-------------|

- |              |                                                                                                        |
|--------------|--------------------------------------------------------------------------------------------------------|
| <b>Blank</b> | The record type must be present if sequence checking is specified.                                     |
| <b>O</b>     | The record type is optional (that is, it may or may not be present) if sequence checking is specified. |

This entry must be blank if positions 17 and 18 contain an alphabetic entry.

Sequence checking of record types has no meaning when all record types within a file are specified as optional (alphabetic entry in positions 17 and 18 or O entry in position 20).

### Positions 21-22 (Record Identifying Indicator, or \*\*)

| Entry | Explanation |
|-------|-------------|
|-------|-------------|

- |                    |                                                                                                   |
|--------------------|---------------------------------------------------------------------------------------------------|
| <b>Blank</b>       | No indicator is used.                                                                             |
| <b>01-99</b>       | General indicator.                                                                                |
| <b>L1-L9 or LR</b> | Control level indicator used for a record identifying indicator.                                  |
| <b>H1-H9</b>       | Halt indicator.                                                                                   |
| <b>U1-U8</b>       | External indicator.                                                                               |
| <b>RT</b>          | Return indicator.                                                                                 |
| <b>**</b>          | Lookahead record (not an indicator). Lookahead can be used only with a primary or secondary file. |

The indicators specified in these positions are used in conjunction with the record identification codes (positions 23 through 46).

#### Indicators

Positions 21 and 22 associate an indicator with the record type defined on this line. The normal entry is one of the indicators 01 to 99; however, the control level indicators L1 through L9 and LR can be used to cause certain total steps to be processed. If a control level indicator is specified, lower control level indicators are not set on. The halt indicators H1 through H9 can be used to stop processing. The return indicator (RT) is used to return to the calling program.

When a record is selected for processing and satisfies the conditions indicated by the record identification codes, the appropriate record identifying indicator is set on. This indicator can be used to condition calculation and output operations. Record identifying indicators can be set on or set off by the programmer. However, at the end of the cycle, all record identifying indicators are set off before another record is selected.

#### Lookahead Fields

The entry of \*\* is used for the lookahead function. This function lets you look at information in the next record in a file. You can look not only at the file currently selected for processing but also at other files present but not selected during this cycle.

Field description lines must contain From and To entries in the record, a field name, and decimal positions if the field is numeric. Note that a lookahead field

may not be specified as a field name on input specifications or as a data structure name on definition specifications or as a Result Field on Calculation Specifications.

Positions 17 and 18 must contain an alphabetic entry. The lookahead fields are defined in positions 49 through 62 of the lines following the line containing \*\* in positions 21 and 22. Positions 63 through 80 must be blank.

Any or all of the fields in a record can be defined as lookahead fields. This definition applies to all records in the file, regardless of their type. If a field is used both as a lookahead field and as a normal input field, it must be defined twice with different names.

The lookahead function can be specified only for primary and secondary files and can be specified only once for a file. It cannot be used for full procedural files (identified by an F in position 18 of the file description specifications), or with AND or OR lines.

When a record is being processed from a combined file or an update file, the data in the lookahead field is the same as the data in the record being processed, not the data in the next record.

The lookahead function causes information in the file information data structure to be updated with data pertaining to the lookahead record, not to the current primary record.

If an array element is specified as a lookahead field, the entire array is classified as a lookahead field.

So that the end of the file can be recognized, lookahead fields are filled with a special value when all records in the file have been processed. For character fields, this value is all '9's; for all other data types, this value is the same as \*HIVAL.

### **Positions 23-46 (Record Identification Codes)**

Entries in positions 23 through 46 identify each record type in the input file. One to three identification codes can be entered on each specification line. More than three record identification codes can be specified on additional lines with the AND/OR relationship. If the file contains only one record type, the identification codes can be left blank; however, a record identifying indicator entry (positions 21 and 22) and a sequence entry (positions 17 and 18) must be made.

**Note:** Record identification codes are not applicable for graphic or UCS-2 data type processing; record identification is done on single byte positions only.

Three sets of entries can be made in positions 23 through 46: 23 through 30, 31 through 38, and 39 through 46. Each set is divided into four groups: position, not, code part, and character.

The following table shows which categories use which positions in each set.

| Category  | 23-30 | 31-38 | 39-46 |
|-----------|-------|-------|-------|
| Position  | 23-27 | 31-35 | 39-43 |
| Not       | 28    | 36    | 44    |
| Code Part | 29    | 37    | 45    |
| Character | 30    | 38    | 46    |

## Record Identification Entries

Entries in these sets need not be in sequence. For example, an entry can be made in positions 31 through 38 without requiring an entry in positions 23 through 30. Entries for record identification codes are not necessary if input records within a file are of the same type. An input specification containing no record identification code defines the last record type for the file, thus allowing the handling of any record types that are undefined. If no record identification codes are satisfied, control passes to the RPG IV exception/error handling routine.

### Positions 23-27, 31-35, and 39-43 (Position)

| Entry | Explanation |
|-------|-------------|
|-------|-------------|

|       |                                           |
|-------|-------------------------------------------|
| Blank | No record identification code is present. |
|-------|-------------------------------------------|

|         |  |
|---------|--|
| 1-32766 |  |
|---------|--|

|  |                                                                          |
|--|--------------------------------------------------------------------------|
|  | The position that contains the record identification code in the record. |
|--|--------------------------------------------------------------------------|

In these positions enter the position that contains the record identification code in each record. The position containing the code must be within the record length specified for the file. This entry must be right-adjusted, but leading zeros can be omitted.

### Positions 28, 36, and 44 (Not)

| Entry | Explanation |
|-------|-------------|
|-------|-------------|

|       |                                             |
|-------|---------------------------------------------|
| Blank | Record identification code must be present. |
|-------|---------------------------------------------|

|   |                                                 |
|---|-------------------------------------------------|
| N | Record identification code must not be present. |
|---|-------------------------------------------------|

Enter an N in this position if the code described must not be present in the specified record position.

### Positions 29, 37, and 45 (Code Part)

| Entry | Explanation |
|-------|-------------|
|-------|-------------|

|   |                  |
|---|------------------|
| C | Entire character |
|---|------------------|

|   |                           |
|---|---------------------------|
| Z | Zone portion of character |
|---|---------------------------|

|   |                             |
|---|-----------------------------|
| D | Digit portion of character. |
|---|-----------------------------|

This entry specifies what part of the character in the record identification code is to be tested.

**Character (C):** The C entry indicates that the complete structure (zone and digit) of the character is to be tested.

**Zone (Z):** The Z entry indicates that the zone portion of the character is to be tested. The zone entry causes the four high-order bits of the character entry to be compared with the zone portion of the character in the record position specified in the position entry. The following three special cases are exceptions:

- The hexadecimal representation of an & (ampersand) is 50. However, when an ampersand is coded in the character entry, it is treated as if its hexadecimal representation were C0, that is, as if it had the same zone as A through I. An ampersand in the input data satisfies two zone checks: one for a hexadecimal 5 zone, the other for a hexadecimal C zone.

- The hexadecimal representation of a - (minus sign) is 60. However, when a minus sign is coded in the character entry, it is treated as if its hexadecimal representation were D0, that is, as if it had the same zone as J through R. A minus sign in the input data satisfies two zone checks: one for a hexadecimal 6 zone, the other for a hexadecimal D zone.
- The hexadecimal representation of a blank is 40. However, when a blank is coded in the character entry, it is treated as if its hexadecimal representation were F0, that is, as if it had the same zone as 0 through 9. A blank in the input data satisfies two zone checks: one for a hexadecimal 4 zone, the other for a hexadecimal F zone.

**Digit (D):** The D entry indicates that the digit portion of the character is to be tested. The four low-order bits of the character are compared with the character specified by the position entry.

### Positions 30, 38, and 46 (Character)

In this position enter the identifying character that is to be compared with the character in the position specified in the input record.

The check for record type always starts with the first record type specified. If data in a record satisfies more than one set of record identification codes, the first record type satisfied determines the record types.

When more than one record type is specified for a file, the record identification codes should be coded so that each input record has a unique set of identification codes.

### AND Relationship

The AND relationship is used when more than three record identification codes identify a record.

To use the AND relationship, enter at least one record identification code on the first line and enter the remaining record identification codes on the following lines with AND coded in positions 16 through 18 for each additional line used. Positions 7 through 15, 19 through 20, and 46 through 80 of each line with AND in positions 16 through 18 must be blank. Sequence, and record-identifying-indicator entries are made in the first line of the group and cannot be specified in the additional lines.

An unlimited number of AND/OR lines can be used on the input specifications.

### OR Relationship

The OR relationship is used when two or more record types have common fields.

To use the OR relationship, enter OR in positions 16 and 17. Positions 7 through 15, 18 through 20, and 46 through 80 must be blank. A record identifying indicator can be entered in positions 21 and 22. If the indicator entry is made and the record identification codes on the OR line are satisfied, the indicator specified in positions 21 and 22 on that line is set on. If no indicator entry is made, the indicator on the preceding line is set on.

An unlimited number of AND/OR lines can be used on the input specifications.

---

## Field Description Entries

The field description entries (positions 31 through 74) must follow the record identification entries (positions 7 through 46) for each file.

### Position 6 (Form Type)

An I must appear in position 6 to identify this line as an input specification statement.

### Positions 7-30 (Reserved)

Positions 7-30 must be blank.

### Positions 31-34 (Data Attributes)

Positions 31-34 specify the external format for a date, time, or variable-length character, graphic, or UCS-2 field.

If this entry is blank for a date or time field, then the format/separator specified for the file (with either DATFMT or TIMFMT or both) is used. If there is no external date or time format specified for the file, then an error message is issued. See Table 27 on page 196 and Table 30 on page 198 for valid date and time formats.

For character, graphic, or UCS-2 data, the \*VAR data attribute is used to specify variable-length input fields. If this entry is blank for character, graphic, or UCS-2 data, then the external format must be fixed length. The internal and external format must match, if the field is defined elsewhere in the program. For more information on variable-length fields, see "Variable-Length Character, Graphic and UCS-2 Formats" on page 175.

For more information on external formats, see "Internal and External Formats" on page 169.

### Position 35 (Date/Time Separator)

Position 35 specifies a separator character to be used for date/time fields. The & (ampersand) can be used to specify a blank separator. See Table 27 on page 196 and Table 30 on page 198 for date and time formats and their default separators.

For an entry to be made in this field, an entry must also be made in positions 31-34 (date/time external format).

### Position 36 (Data Format)

| Entry | Explanation                                                                     |
|-------|---------------------------------------------------------------------------------|
| Blank | The input field is in zoned decimal format or is a character field.             |
| A     | Character field (fixed- or variable-length format)                              |
| C     | UCS-2 field (fixed- or variable-length format)                                  |
| G     | Graphic field (fixed- or variable-length format)                                |
| B     | Numeric field (binary format)                                                   |
| F     | Numeric field (float format)                                                    |
| I     | Numeric field (integer format)                                                  |
| L     | Numeric field with a preceding (left) plus or minus sign (zoned decimal format) |
| N     | Character field (Indicator format)                                              |
| P     | Numeric field (packed decimal format)                                           |



- R Numeric field with a following (right) plus or minus sign (zoned decimal format)
- S Numeric field (zoned decimal format)
- U Numeric field (unsigned format)
- D Date field — the date field has the external format specified in positions 31-34 or the default file date format.
- T Time field — the time field has the external format specified in positions 31-34 or the default file time format.
- Z Timestamp field

The entry in position 36 specifies the data type, and if numeric, the external data format of the data in the program-described file.

### Positions 37-46 (Field Location)

**Entry Explanation**

**Two 1- to 5-digit numbers**

Beginning of a field (from) and end of a field (to).

This entry describes the location and size of each field in the input record. Positions 37 through 41 specify the location of the field’s beginning position; positions 42 through 46 specify the location of the field’s end position. To define a single-position field, enter the same number in positions 37 through 41 and in positions 42 through 46. Numeric entries must be right-adjusted; leading zeros can be omitted.

The maximum number of positions in the input record for each type of field is as follows:

|   | Positions | Type of Field                                                   |
|---|-----------|-----------------------------------------------------------------|
| # | 63        | Zoned decimal numeric (63 digits)                               |
| # | 32        | Packed numeric (63 digits)                                      |
|   | 4         | Binary (9 digits)                                               |
|   | 8         | Integer (20 digits)                                             |
|   | 8         | Unsigned (20 digits)                                            |
|   | 8         | Float (8 bytes)                                                 |
| # | 64        | Numeric with leading or trailing sign (63 digits)               |
|   | 10        | Date                                                            |
|   | 8         | Time                                                            |
|   | 26        | Timestamp                                                       |
|   | 32766     | Character (32766 characters)                                    |
|   | 32766     | Graphic or UCS-2 (16383 double-byte characters)                 |
|   | 32766     | Variable-Length Character (32764 characters)                    |
|   | 32766     | Variable-Length Graphic or UCS-2 (16382 double-byte characters) |
|   | 32766     | Data structure                                                  |

## Field Description Entries

The maximum size of a character or data structure field specified as a program described input field is 32766 since that is the maximum record length for a file.

When specifying a variable-length character, graphic, or UCS-2 input field, the length includes the 2 byte length prefix.

For arrays, enter the beginning position of the array in positions 37 through 41 and the ending position in positions 42 through 46. The array length must be an integral multiple of the length of an element. The From-To position does not have to account for all the elements in the array. The placement of data into the array starts with the first element.

### Positions 47-48 (Decimal Positions)

| Entry | Explanation |
|-------|-------------|
|-------|-------------|

|              |                                                                  |
|--------------|------------------------------------------------------------------|
| <b>Blank</b> | Character, graphic, UCS-2, float, date, time, or timestamp field |
|--------------|------------------------------------------------------------------|

#

|             |                                               |
|-------------|-----------------------------------------------|
| <b>0-63</b> | Number of decimal positions in numeric field. |
|-------------|-----------------------------------------------|

This entry, used with the data format entry in position 36, describes the format of the field. An entry in this field identifies the input field as numeric (except float numeric); if the field is numeric, an entry must be made. The number of decimal positions specified for a numeric field cannot exceed the length of the field.

### Positions 49-62 (Field Name)

| Entry | Explanation |
|-------|-------------|
|-------|-------------|

|                      |  |
|----------------------|--|
| <b>Symbolic name</b> |  |
|----------------------|--|

Field name, data structure name, data structure subfield name, array name, array element, PAGE, PAGE1-PAGE7, \*IN, \*INxx, or \*IN(xx).

These positions name the fields of an input record that are used in an RPG IV program. This name must follow the rules for symbolic names.

To refer to an entire array on the input specifications, enter the array name in positions 49 through 62. If an array name is entered in positions 49 through 62, control level (positions 63-64), matching fields (positions 65 and 66), and field indicators (positions 67 through 68) must be blank.

To refer to an element of an array, specify the array name, followed by an index enclosed within parentheses. The index is either a numeric field with zero decimal positions or the actual number of the array element to be used. The value of the index can vary from 1 to n, where n is the number of elements within the array.

### Positions 63-64 (Control Level)

| Entry | Explanation |
|-------|-------------|
|-------|-------------|

|              |                                                                                                        |
|--------------|--------------------------------------------------------------------------------------------------------|
| <b>Blank</b> | This field is not a control field. Control level indicators cannot be used with full procedural files. |
|--------------|--------------------------------------------------------------------------------------------------------|

|              |                                |
|--------------|--------------------------------|
| <b>L1-L9</b> | This field is a control field. |
|--------------|--------------------------------|

Positions 63 and 64 indicate the fields that are used as control fields. A change in the contents of a control field causes all operations conditioned by that control level indicator and by all lower level indicators to be processed.

A split control field is a control field that is made up of more than one field, each having the same control level indicator. The first field specified with that control level indicator is placed in the high-order position of the split control field, and the last field specified with the same control level indicator is placed in the low-order position of the split control field.

Binary, float, integer, character varying, graphic varying, UCS-2 and unsigned fields cannot be used as control fields.

## Positions 65-66 (Matching Fields)

| Entry        | Explanation                      |
|--------------|----------------------------------|
| <b>Blank</b> | This field is not a match field. |
| <b>M1-M9</b> | This field is a match field.     |

This entry is used to match the records of one file with those of another or to sequence check match fields within one file. Match fields can be specified only for fields in primary and secondary files.

Binary, float, integer, character varying, graphic varying, UCS-2, and unsigned fields cannot be used as match fields.

Match fields within a record are designated by an M1 through M9 code entered in positions 65 and 66 of the appropriate field description specification line. A maximum of nine match fields can be specified.

The match field codes M1 through M9 can be assigned in any sequence. For example, M3 can be defined on the line before M1, or M1 need not be defined at all.

When more than one match field code is used for a record, all fields can be considered as one large field. M1 or the lowest code used is the rightmost or low-order position of the field. M9 or the highest code used is the leftmost or high-order position of the field.

The ALTSEQ (alternate collating sequence) and FTRANS (file translation) keywords on the control specification can be used to alter the collating sequence for match fields.

If match fields are specified for only a single sequential file (input, update, or combined), match fields within the file are sequence checked. The MR indicator is not set on and cannot be used in the program. An out-of-sequence record causes the RPG IV exception/error handling routine to be given control.

In addition to sequence checking, match fields are used to match records from the primary file with those from secondary files.

## Positions 67-68 (Field Record Relation)

| Entry        | Explanation                              |
|--------------|------------------------------------------|
| <b>Blank</b> | The field is common to all record types. |
| <b>01-99</b> | General indicators.                      |
| <b>L1-L9</b> | Control level indicators.                |

## Field Description Entries

**MR** Matching record indicator.

**U1-U8** External indicators.

**H1-H9** Halt indicators.

**RT** Return indicator.

Field record relation indicators are used to associate fields within a particular record type when that record type is one of several in an OR relationship. This entry reduces the number of lines that must be written.

The field described on a line is extracted from the record by the RPG IV program only when the indicator coded in positions 67 and 68 is on or when positions 67 and 68 are blank. When positions 67 and 68 are blank, the field is common to all record types defined by the OR relationship.

Field record relation indicators can be used with control level fields (positions 63 and 64) and matching fields (positions 65 and 66).

## Positions 69-74 (Field Indicators)

| Entry | Explanation |
|-------|-------------|
|-------|-------------|

|              |                        |
|--------------|------------------------|
| <b>Blank</b> | No indicator specified |
|--------------|------------------------|

|              |                    |
|--------------|--------------------|
| <b>01-99</b> | General indicators |
|--------------|--------------------|

|              |                |
|--------------|----------------|
| <b>H1-H9</b> | Halt indicator |
|--------------|----------------|

|              |                     |
|--------------|---------------------|
| <b>U1-U8</b> | External indicators |
|--------------|---------------------|

|           |                   |
|-----------|-------------------|
| <b>RT</b> | Return indicator. |
|-----------|-------------------|

Entries in positions 69 through 74 test the status of a field or of an array element as it is read into the program. Field indicators are specified on the same line as the field to be tested. Depending on the status of the field (plus, minus, zero, or blank), the appropriate indicator is set on and can be used to condition later specifications. The same indicator can be specified in two positions, but it should not be used for all three positions. Field indicators cannot be used with arrays that are not indexed or look-ahead fields.

Positions 69 and 70 (plus) and positions 71 and 72 (minus) are valid for numeric fields only. Positions 73 and 74 can be used to test a numeric field for zeros or a character, graphic, or UCS-2 field for blanks.

The field indicators are set on if the field or array element meets the condition specified when the record is read. Each field indicator is related to only one record type; therefore, the indicators are not reset (on or off) until the related record is read again or until the indicator is defined in some other specification.

---

## Externally Described Files

### Position 6 (Form Type)

An I must appear in position 6 to identify this line as an input specifications statement.

---

## Record Identification Entries

When the description of an externally described file is retrieved by the compiler, the record definitions are also retrieved. To refer to the record definitions, specify the record format name in the input, calculation, and output specifications of the program. Input specifications for an externally described file are required if:

- Record identifying indicators are to be specified.
- A field within a record is to be renamed for the program.
- Control level or matching field indicators are to be used.
- Field indicators are to be used.

The field description specifications must immediately follow the record identification specification for an externally described file.

A record line for an externally described file defines the beginning of the override specifications for the record. All specifications following the record line are part of the record override until another record format name or file name is found in positions 7 through 16 of the input specifications. All record lines that pertain to an externally described file must appear together; they cannot be mixed with entries for other files.

### Positions 7-16 (Record Name)

Enter one of the following:

- The external name of the record format. (The file name cannot be used for an externally described file.)
- The RPG IV name specified by the RENAME keyword on the file description specifications if the external record format was renamed. A record format name can appear only once in positions 7 through 16 of the input specifications for a program.

### Positions 17-20 (Reserved)

Positions 17 through 20 must be blank.

### Positions 21-22 (Record Identifying Indicator)

The specification of record identifying indicators in these positions is optional but, if present, follows the rules as described under "Program Described Files" on page 340 earlier in this chapter, except for look-ahead specifications, which are not allowed for an externally described file.

### Positions 23-80 (Reserved)

Positions 23-80 must be blank.

---

## Field Description Entries

The field description specifications for an externally described file can be used to rename a field within a record for a program or to specify control level, field indicator, and match field functions. The field definitions (attributes) are retrieved from the externally described file and cannot be changed by the program. If the attributes of a field are not valid to an RPG IV program the field cannot be used. Diagnostic checking is done on fields contained in an external record format in the same way as for source statements.

## Field Description Entries

Normally, externally described input fields are only read during input operations if the field is actually used elsewhere in the program. If DEBUG or DEBUG(\*YES) is specified, all externally described input fields will be read even if they are not used in the program.

### Positions 7-20 (Reserved)

Positions 7 through 20 must be blank.

### Positions 21-30 (External Field Name)

If a field within a record in an externally described file is to be renamed, enter the external name of the field in these positions. A field may have to be renamed because the name is the same as a field name specified in the program and two different names are required.

#  
#  
#  
#  
#  
#

**Note:** If the input field is for a file that has the PREFIX keyword coded, and the prefixed name has already been specified in the Field Name entry (positions 49 - 62) of a prior Input specification for the same record, then the prefixed name must be used as the external name. For more information, see "PREFIX(prefix{:nbr\_of\_char\_replaced})" on page 283.

### Positions 31-48 (Reserved)

Positions 31 through 48 must be blank.

### Positions 49-62 (Field Name)

The field name entry is made only when it is required for the RPG IV function (such as control levels) added to the external description. The field name entry contains one of the following:

- The name of the field as defined in the external record description (if 10 characters or less).
- The name specified to be used in the program that replaced the external name specified in positions 21 through 30.

The field name must follow the rules for using symbolic names.

Indicators are not allowed to be null-capable.

### Positions 63-64 (Control Level)

This entry indicates whether the field is to be used as a control field in the program.

| Entry | Explanation |
|-------|-------------|
|-------|-------------|

|              |                                    |
|--------------|------------------------------------|
| <b>Blank</b> | This field is not a control field. |
|--------------|------------------------------------|

|              |                                |
|--------------|--------------------------------|
| <b>L1-L9</b> | This field is a control field. |
|--------------|--------------------------------|

Null-capable and UCS-2 fields cannot be used as control fields.

**Note:** For externally described files, split control fields are combined in the order in which the fields are specified on the data description specifications (DDS), not in the order in which the fields are specified on the input specifications.

### Positions 65-66 (Matching Fields)

This entry indicates whether the field is to be used as a match field.

**Entry Explanation****Blank** This field is not a match field.**M1-M9**

This field is a match field.

Null-capable and UCS-2 fields cannot be used as matching fields.

See “Positions 65-66 (Matching Fields)” on page 349 for more information on match fields.

**Positions 67-68 (Reserved)**

Positions 67 and 68 must be blank.

**Positions 69-74 (Field Indicators)****Entry Explanation****Blank** No indicator specified**01-99** General indicators**H1-H9** Halt indicators**U1-U8** External indicators**RT** Return indicator.

Field indicators are allowed for null-capable fields only if the ALWNULL(\*USRCTL) keyword is specified on a control specification or as a command parameter.

If a field is a null-capable field and the value is null, the indicator is set off.

See “Positions 69-74 (Field Indicators)” on page 350 for more information.

**Positions 75-80 (Reserved)**

Positions 75 through 80 must be blank.

## Field Description Entries



---

## Chapter 17. Calculation Specifications

Calculation specifications indicate the operations done on the data in a program.

Calculation specifications within the main source section must be grouped in the following order:

- Detail calculations
- Total calculations
- Subroutines

Calculation specifications for subprocedures include two groups:

- Body of the subprocedure
- Subroutines

Calculations within the groups must be specified in the order in which they are to be done.

**Note:** If the keyword NOMAIN is specified on the control specification, then only declarative calculation specifications are allowed in the main source section.

You can specify calculation specifications in three different formats:

- “Traditional Syntax”
- “Extended Factor 2 Syntax” on page 361
- “Free-Form Syntax” on page 363.

See Chapter 23, “Operation Codes,” on page 563 for details on how the calculation specification entries must be specified for individual operation codes.

The calculation specification can also be used to enter SQL statements into an ILE RPG program. See *WebSphere Development Studio: ILE RPG Programmer’s Guide* and the iSeries Information Center database and file systems category for more information.

---

### Traditional Syntax

The general layout for the calculation specification is as follows:

- The calculation specification type (C) is entered in position 6
- The non-commentary part of the specification extends from position 7 to position 80. These positions are divided into three parts that specify the following:

- *When calculations are done:*

The control level indicator and the conditioning indicators specified in positions 7 through 11 determine when and under what conditions the calculations are to be done.

- *What kind of calculations are done:*

The entries specified in positions 12 through 70 (12 through 80 for operations that use extended factor 2, see “Extended Factor 2 Syntax” on page 361 and Chapter 21, “Expressions,” on page 439) specify the kind of calculations done,

## Calculation Specification - Traditional Syntax

the data (such as fields or files) upon which the operation is done, and the field that contains the results of the calculation.

- *What tests are done on the results of the operation:*

Indicators specified in positions 71 through 76 are used to test the results of the calculations and can condition subsequent calculations or output operations. The resulting indicator positions have various uses, depending on the operation code. For the uses of these positions, see the individual operation codes in Chapter 23, "Operation Codes," on page 563.

- The comments section of the specification extends from position 81 to position 100

```
*.. 1 ...+... 2 ...+... 3 ...+... 4 ...+... 5 ...+... 6 ...+... 7 ...+... 8 ...+... 9 ...+... 10
CL0N01Factor1+++++0pcode(E)+Factor2+++++Result+++++Len++D+HiLoEq....Comments+++++
CL0N01Factor1+++++0pcode(E)+Extended-factor2+++++Comments+++++
```

Figure 137. Calculation Specification Layout

## Calculation Specification Extended Factor-2 Continuation Line

The Extended Factor-2 field can be continued on subsequent lines as follows:

- position 6 of the continuation line must contain a C
- positions 7 to 35 of the continuation line must be blank
- the specification continues on or past position 36

```
*.. 1 ...+... 2 ...+... 3 ...+... 4 ...+... 5 ...+... 6 ...+... 7 ...+... 8 ...+... 9 ...+... 10
C.....Extended-factor2-continuation+++++Comments+++++
```

Figure 138. Calculation Specification Extended Factor-2 Continuation Line

### Position 6 (Form Type)

A C must appear in position 6 to identify this line as a calculation specification statement.

### Positions 7-8 (Control Level)

| Entry  | Explanation                                                                                                                                                                                                                               |
|--------|-------------------------------------------------------------------------------------------------------------------------------------------------------------------------------------------------------------------------------------------|
| Blank  | The calculation operation is done at detail calculation time for each program cycle if the indicators in positions 9 through 11 allow it; or the calculation is part of a subroutine. Blank is also used for declarative operation codes. |
| L0     | The calculation operation is done at total calculation time for each program cycle.                                                                                                                                                       |
| L1-L9  | The calculation operation is done at total calculation time when the control level indicator is on. The indicator is set on either through a level break or as the result of an input or calculation operation.                           |
| LR     | The calculation operation is done after the last record has been processed or after the LR indicator has been set on.                                                                                                                     |
| SR     | The calculation operation is part of an RPG IV subroutine. A blank entry is also valid for calculations that are part of a subroutine.                                                                                                    |
| AN, OR | Indicators on more than one line condition the calculation.                                                                                                                                                                               |

### Control Level Indicators

The L0 entry is used in positions 7 and 8 to indicate that the calculation is always done during total calculation time.

If indicators L1 through L9 are specified in positions 7 and 8, the calculation is processed at total calculation time only when the specified indicator is on. Remember that, if L1 through L9 are set on by a control break, all lower level indicators are also set on. If positions 7 and 8 are blank, the calculation is done at detail time calculation, is a statement within a subroutine, is a declarative statement, or is a continuation line.

The following operations can be specified within total calculations with positions 7 and 8 blank: PLIST, PARM, KLIST, KFLD, TAG, DEFINE, and ELSE. (Conditioning indicators in positions 9 through 11 are not allowed with these operations.) In addition, all the preceding operations except TAG and ELSE can be specified anywhere within the calculations, even between an ENDSR operation of one subroutine and the BEGSR operation of the next subroutine or after the ENDSR operation for the last subroutine.

**Note:** Control indicators cannot be specified in subprocedures.

### Last Record Indicator

The LR Indicator, if specified in positions 7 and 8, causes the calculation to be done during the last total calculation time. Note that the LR indicator cannot be specified in subprocedures.

If there is a primary file but no secondary files in the program, the LR indicator is set on after the last input record has been read, the calculations specified for the record have been done, and the detail output for the last record read has been completed.

If there is more than one input file (primary and secondary), the programmer determines which files are to be checked for end-of-file by entering an E in position 19 of the file description specifications. LR is set on when all files with an end-of-file specification have been completely read, when detail output for the last record in these files has been completed, and after all matching secondary records have been processed.

When the LR indicator is set on after the last input record has been read, all control indicators L1 through L9 defined to the program are also set on.

### Subroutine Identifier

An SR entry in positions 7 and 8 may optionally be used for operations within subroutines as a documentation aid. Subroutine lines must appear after the total calculation specifications. The operation codes BEGSR and ENDSR serve as delimiters for a subroutine.

### AND/OR Lines Identifier

Positions 7 and 8 can contain AN or OR to define additional indicators (positions 9 through 11) for a calculation.

The entry in positions 7 and 8 of the line immediately preceding an AND/OR line or a group of AND/OR lines determines when the calculation is to be processed. The entry in positions 7 and 8 on the first line of a group applies to all AND/OR

## Calculation Specification - Traditional Syntax

lines in the group. A control level indicator (L1 through L9, L0, or LR) is entered for total calculations, an SR or blanks for subroutines, and a blank for detail calculations.

### Positions 9-11 (Indicators)

| Entry        | Explanation                                |
|--------------|--------------------------------------------|
| Blank        | The operation is processed on every record |
| 01-99        | General indicators.                        |
| KA-KN, KP-KY | Function key indicators.                   |
| L1-L9        | Control level indicators.                  |
| LR           | Last record indicator.                     |
| MR           | Matching record indicator.                 |
| H1-H9        | Halt indicators.                           |
| RT           | Return indicator.                          |
| U1-U8        | External indicators.                       |
| OA-OG, OV    | Overflow indicator.                        |

Positions 10 and 11 contain an indicator that is tested to determine if a particular calculation is to be processed. A blank in position 9 designates that the indicator must be on for a calculation to be done. An N in positions 9 designates that the associated indicator must be off for a calculation to be done.

### Positions 12-25 (Factor 1)

Factor 1 names a field or gives actual data (literals) on which an operation is done, or contains a RPG IV special word (for example, \*LOCK) which provides extra information on how an operation is to be done. The entry must begin in position 12. The entries that are valid for factor 1 depend on the operation code specified in positions 26 through 35. For the specific entries for factor 1 for a particular operation code, see Chapter 23, "Operation Codes," on page 563. With some operation codes, two operands may be specified separated by a colon.

### Positions 26-35 (Operation and Extender)

Positions 26 through 35 specify the kind of operation to be done using factor 1, factor 2, and the result field entries. The operation code must begin in position 26. For further information on the operation codes, see Chapter 20, "Operations," on page 387 and Chapter 23, "Operation Codes," on page 563. For further information on the operation code extenders, see "Operation Extender."

#### Operation Extender

| Entry | Explanation                                                                                                                              |
|-------|------------------------------------------------------------------------------------------------------------------------------------------|
| Blank | No operation extension supplied                                                                                                          |
| A     | Used on the DUMP operation to indicate that the operation is always performed regardless of the DEBUG option set on the H specification. |
| H     | Half adjust (round) result of numeric operation                                                                                          |
| N     | Record is read but not locked                                                                                                            |

|   |                                                          |
|---|----------------------------------------------------------|
|   | Set pointer to *NULL after successful DEALLOC            |
| P | Pad the result field with blanks                         |
| D | Pass operational descriptors on bound call<br>Date field |
| T | Time field                                               |
| Z | Timestamp field                                          |
| M | Default precision rules                                  |
| R | "Result Decimal Position" precision rules                |
| E | Error handling                                           |

The operation extenders provide additional attributes to the operations that they accompany. Operation extenders are specified in positions 26-35 of calculation specifications. They must begin to the right of the operation code and be contained within parentheses; blanks can be used for readability. For example, the following are all valid entries: MULT(H), MULT (H), MULT ( H ).

More than one operation extender can be specified. For example, the CALLP operation can specify both error handling and the default precision rules with CALLP(EM).

An H indicates whether the contents of the result field are to be half adjusted (rounded). Resulting indicators are set according to the value of the result field after half-adjusting has been done.

An N in a READ, READE, READP, READPE, or CHAIN operation on an update disk file indicates that a record is to be read, but not locked. If no value is specified, the default action of locking occurs.

An N in a DEALLOC operation indicates that the result field pointer is to be set to \*NULL after a successful deallocation.

A P indicates that, the result field is padded after executing the instruction if the result field is longer than the result of the operation.

A D when specified on the CALLB operation code indicates that operational descriptors are included.

The D, T, and Z extenders can be used with the TEST operation code to indicate a date, time, or timestamp field.

M and R are specified for the precision of single free-form expressions. For more information, see "Precision Rules for Numeric Operations" on page 448.

An M indicates that the default precision rules are used.

An R indicates that the precision of a decimal intermediate will be computed such that the number of decimal places will never be reduced smaller than the number of decimal positions of the result of the assignment.

An E indicates that operation-related errors will be checked with built-in function %ERROR.

## Positions 36-49 (Factor 2)

Factor 2 names a field, record format or file, or gives actual data on which an operation is to be done, or contains a special word (for example, \*ALL) which gives extra information about the operation to be done. The entry must begin in position 36. The entries that are valid for factor 2 depend on the operation code specified in positions 26 through 35. With some operation codes, two operands may be specified separated by a colon. For the specific entries for factor 2 for a particular operation code, see Chapter 23, "Operation Codes," on page 563.

## Positions 50-63 (Result Field)

The result field names the field or record format that contains the result of the calculation operation specified in positions 26 through 35. The field specified must be modifiable. For example, it cannot be a lookahead field or a user date field. With some operation codes, two operands may be specified separated by a colon. See Chapter 23, "Operation Codes," on page 563 for the result field rules for individual operation codes.

## Positions 64-68 (Field Length)

|   | Entry   | Explanation                                                                                  |
|---|---------|----------------------------------------------------------------------------------------------|
| # | 1-63    | Numeric field length.                                                                        |
|   | 1-65535 | Character field length.                                                                      |
|   | Blank   | The result field is defined elsewhere or a field cannot be defined using this operation code |

Positions 64 through 68 specify the length of the result field. This entry is optional, but can be used to define a numeric or character field not defined elsewhere in the program. These definitions of the field entries are allowed if the result field contains a field name. Other data types must be defined on the definition specification or on the calculation specification using the \*LIKE DEFINE operation.

The entry specifies the number of positions to be reserved for the result field. The entry must be right-adjusted. The unpacked length (number of digits) must be specified for numeric fields.

If the result field is defined elsewhere in the program, no entry is required for the length. However, if the length is specified, and if the result field is defined elsewhere, the length must be the same as the previously defined length.

## Positions 69-70 (Decimal Positions)

|   | Entry | Explanation                                                                                                         |
|---|-------|---------------------------------------------------------------------------------------------------------------------|
| # | Blank | The result field is character data, has been defined elsewhere in the program, or no field name has been specified. |
|   | 0-63  | Number of decimal positions in a numeric result field.                                                              |

Positions 69-70 indicate the number of positions to the right of the decimal in a numeric result field. If the numeric result field contains no decimal positions, enter a '0' (zero). This position must be blank if the result field is character data or if no field length is specified. The number of decimal positions specified cannot exceed the length of the field.

## Positions 71-76 (Resulting Indicators)

These positions can be used, for example, to test the value of a result field after the completion of an operation, or to indicate conditions like end-of-file, error, or record-not-found. For some operations, you can control the way the operation is performed by specifying different combinations of the three resulting indicators (for example, LOOKUP). The resulting indicator positions have different uses, depending on the operation code specified. See the individual operation codes in Chapter 23, "Operation Codes," on page 563 for a description of the associated resulting indicators. For arithmetic operations, the result field is tested only after the field is truncated and half-adjustment is done (if specified). The setting of indicators depends on the results of the tests specified.

| Entry        | Explanation                      |
|--------------|----------------------------------|
| Blank        | No resulting indicator specified |
| 01-99        | General indicators               |
| KA-KN, KP-KY | Function key indicators          |
| H1-H9        | Halt indicators                  |
| L1-L9        | Control level indicators         |
| LR           | Last record indicator            |
| OA-OG, OV    | Overflow indicators              |
| U1-U8        | External indicators              |
| RT           | Return indicator.                |

Resulting indicators cannot be used when the result field uses a non-indexed array.

If the same indicator is used as a resulting indicator on more than one calculation specification, the most recent specification processed determines the status of that indicator.

Remember the following points when specifying resulting indicators:

- When the calculation operation is done, the specified resulting indicators are set off, and, if a condition specified by a resulting indicator is satisfied, that indicator is set on.
- When a control level indicator (L1 through L9) is set on, the lower level indicators are not set on.
- When a halt indicator (H1 through H9) is set on, the program ends abnormally at the next \*GETIN point in the cycle, or when a RETURN operation is processed, unless the halt indicator is set off before the indicator is tested.

---

## Extended Factor 2 Syntax

Certain operation codes allow an expression to be used in the extended factor 2 field.

### Positions 7-8 (Control Level)

See "Positions 7-8 (Control Level)" on page 356.

### Positions 9-11 (Indicators)

See "Positions 9-11 (Indicators)" on page 358.

### Positions 12-25 (Factor 1)

Factor 1 must be blank.

### Positions 26-35 (Operation and Extender)

Positions 26 through 35 specify the kind of operation to be done using the expression in the extended factor 2 field. The operation code must begin in position 26. For further information on the operation codes, see Chapter 20, "Operations," on page 387 and Chapter 23, "Operation Codes," on page 563. For further information on the operation code extenders, see "Operation Extender."

The program processes the operations in the order specified on the calculation specifications form.

#### Operation Extender

| Entry | Explanation |
|-------|-------------|
|-------|-------------|

|       |                                                 |
|-------|-------------------------------------------------|
| Blank | No operation extension supplied.                |
| H     | Half adjust (round) result of numeric operation |
| M     | Default precision rules                         |
| R     | "Result Decimal Position" precision rules       |
| E     | Error handling                                  |

Half adjust may be specified, using the H extender, on arithmetic EVAL and RETURN operations.

The type of precision may be specified, using the M or R extender, on CALLP, DOU, DOW, EVAL, IF, RETURN, and WHEN operations.

Error handling may be specified, using the 'E' extender, on CALLP operations.

### Positions 36-80 (Extended Factor 2)

A free form syntax is used in this field. It consists of combinations of operands and operators, and may optionally span multiple lines. If specified across multiple lines, the continuation lines must be blank in positions 7-35.

The operations that take an extended factor 2 are:

- "CALLP (Call a Prototyped Procedure or Program)" on page 579
- "DOU (Do Until)" on page 616
- "DOW (Do While)" on page 619
- "EVAL (Evaluate expression)" on page 632
- "EVALR (Evaluate expression, right adjust)" on page 634
- "FOR (For)" on page 648
- "IF (If)" on page 654
- "ON-ERROR (On Error)" on page 714
- "RETURN (Return to Caller)" on page 750
- "WHEN (When True Then Select)" on page 795

See the specific operation codes for more information. See "Continuation Rules" on page 239 for more information on coding continuation lines.



## Free-Form Syntax

To begin a free-form calculation group, specify /FREE in positions 7 to 11 and leave positions 12 to 80 blank. The free-form calculation block ends when you specify /END-FREE.

In a free-form statement, the operation code does not need to begin in any specific position within columns 8–80. Any extenders must appear immediately after the operation code on the same line, within parentheses. There must be no embedded blanks between the operation code and extenders. Following the operation code and extenders, you specify the Factor 1, Factor 2, and the Result Field operands separated by blanks. If any of these are not required by the operation, you may leave them out. You can freely use blanks and continuation lines in the remainder of the statement. Each statement must end with a semicolon. The remainder of the record after the semicolon must be blank or contain an end-of-line comment.

For the EVAL or CALLP operation code, you can omit the operation code, if no extenders are needed, and if the variable does not have the same name as an operation code. For example, the following two statements are equivalent:

```
eval pos = %scan (',' : name);
pos = %scan (',' : name);
```

For each record within a free-form calculation block, positions 6 and 7 must be blank.

You can specify compiler directives within a free-format calculation block, with the following restrictions:

- The compiler directive must be the first item on the line. Code the directive starting anywhere from column 7 onward. It cannot continue to the next line.
- Compiler directives are not allowed within a statement. The directive must appear on a new line after one statement ends and before the next statement begins.
- Any statements that are included by a /COPY or /INCLUDE directive are considered fixed syntax calculations. Any free-form statements in a /COPY member must be delimited by the /FREE and /END-FREE directives.

Free-form operands can be longer than 14 characters. The following are not supported:

- Continuation of numeric literals
- Defining field names
- Resulting indicators. (In most cases where you need to use operation codes with resulting indicators, you can use an equivalent built-in function instead.)

To indicate the start of total calculations, end the free-form group and code a fixed-form calculation specification with a control level specified in positions 7-8. The total calculations may be specified using free-form calculation syntax. Since the free-form calculation specification does not include a control-level entry, calculations to be performed on specific level breaks should be conditioned using the statement "IF \*INLx;".

## Calculation Specification - Free-Form Syntax

```
*..1....+....2....+....3....+....4....+....5....+....6....+....7...+....
/free

 read file; // Get next record
 dow not %eof(file); // Keep looping while we have
 // a record
 if %error;
 dsply 'The read failed';
 leave;
 else;
 chain(n) name database data;
 time = hours * num_employees
 + overtime_saved;
 pos = %scan ('.': name);
 name = %xlate(upper:lower:name);
 exsr handle_record;
 read file;
 endif;
 enddo;

 begsr handle_record;
 eval(h) time = time + total_hours_array (empno);
 temp_hours = total_hours - excess_hours;
 record_transaction();
 endsr;

/end-free
```

Figure 139. Example of Free-Form Calculation Specification

You can combine free-form and traditional calculation specifications in the same program, as shown below:

```
C testb OPEN_ALL flags 10
/free
 if *in10;
 openAllFiles();
 endif;
/end-free
```

Figure 140. Example that Combines Traditional and Free-Form Calculation Specifications

## Positions 8-80 (Free-form Operations)

Enter an operation that is supported in free-form syntax. Code an operation code (EVAL and CALLP are optional) followed by the operands or expressions. The operation may optionally span multiple lines. No new continuation characters are required; each statement ends with a semicolon (;). However, existing continuation rules still apply.

See Table 45 on page 387 for a list of the operation codes that can use free-form syntax. For operations that cannot use free-form syntax, check the detailed description in Chapter 23, "Operation Codes," on page 563 to see if there is a suggested replacement. See "Continuation Rules" on page 239 for more information on coding continuation lines.

---

## Chapter 18. Output Specifications

Output specifications describe the record and the format of fields in a program-described output file and when the record is to be written. Output specifications are optional for an externally described file. If NOMAIN is coded on a control specification, only exception output can be done.

Output specifications can be divided into two categories: record identification and control (positions 7 through 51), and field description and control (positions 21 through 80). Detailed information for each category of output specifications is given in:

- Entries for program-described files
- Entries for externally described files

---

### Output Specification Statement

The general layout for the Output specification is as follows:

- the output specification type (O) is entered in position 6
- the non-commentary part of the specification extends from position 7 to position 80
- the comments section of the specification extends from position 81 to position 100

#### Program Described

For program described files, entries on the output specifications can be divided into two categories:

- Record identification and control (positions 7 through 51)

```
*.. 1 ...+... 2 ...+... 3 ...+... 4 ...+... 5 ...+... 6 ...+... 7 ...+... 8 ...+... 9 ...+... 10
OFILENAME++DF..N01N02N03EXCNAM++++B++A++Sb+Sa+.....COMMENT+++++
OFILENAME++DADDN01N02N03EXCNAM++++.....COMMENT+++++
O.....AND..N01N02N03EXCNAM++++.....COMMENT+++++
```

Figure 141. Program Described Record Layout

- Field description and control (positions 21 through 80). Each field is described on a separate line, below its corresponding record identification entry.

```
*.. 1 ...+... 2 ...+... 3 ...+... 4 ...+... 5 ...+... 6 ...+... 7 ...+... 8 ...+... 9 ...+... 10
O.....N01N02N03FIELD+++++YB.END++PCONSTANT/EDITWORD/DTFORMAT++COMMENT+++++
O.....CONSTANT/EDITWORD-CONTINUITYCOMMENT+++++
```

Figure 142. Program Described Field Layout

#### Externally Described

For externally described files, entries on output specifications are divided into the following categories:

- Record identification and control (positions 7 through 39)

## Output Specification Statement

```
*.. 1 ...+... 2 ...+... 3 ...+... 4 ...+... 5 ...+... 6 ...+... 7 ...+... 8 ...+... 9 ...+... 10
ORcdname+++D...N01N02N03Excnam++++.....Comment+++++++
ORcdname+++DAddN01N02N03Excnam++++.....Comment+++++++
O.....And..N01N02N03Excnam++++.....Comment+++++++
```

Figure 143. Externally Described Record Layout

- Field description and control (positions 21 through 43, and 45).

```
*.. 1 ...+... 2 ...+... 3 ...+... 4 ...+... 5 ...+... 6 ...+... 7 ...+... 8 ...+... 9 ...+... 10
O.....N01N02N03Field+++++++B.....Comment+++++++
```

Figure 144. Externally Described Field Layout

---

## Program Described Files

### Position 6 (Form Type)

An O must appear in position 6 to identify this line as an output specifications statement.

---

## Record Identification and Control Entries

Entries in positions 7 through 51 identify the output records that make up the files, provide the correct spacing on printed reports, and determine under what conditions the records are to be written.

### Positions 7-16 (File Name)

| Entry | Explanation |
|-------|-------------|
|-------|-------------|

**A valid file name**

Same file name that appears on the file description specifications for the output file.

Specify the file name on the first line that defines an output record for the file. The file name specified must be the same file name assigned to the output, update, or combined file on the file description specifications. If records from files are interspersed on the output specifications, the file name must be specified each time the file changes.

For files specified as output, update, combined or input with ADD, at least one output specification is required unless an explicit file operation code with a data structure name specified in the result field is used in the calculations. For example, a WRITE operation does not require output specifications.

### Positions 16-18 ( Logical Relationship)

| Entry | Explanation |
|-------|-------------|
|-------|-------------|

**AND or OR**

AND/OR indicates a relationship between lines of output indicators. AND/OR lines are valid for output records, but not for fields.

Positions 16 through 18 specify AND/OR lines for output operations. To specify this relationship, enter AND/OR in positions 16 through 18 on each additional line following the line containing the file name. At least one indicator must be specified

on each AND line. For an AND relationship and fetch overflow position 18 must be specified on the first line only (file name line). A fetch overflow entry is required on OR lines for record types requiring the fetch overflow routine.

Positions 7 through 15 must be blank when AND/OR is specified.

An unlimited number of AND/OR lines can be specified on the output specifications.

### Position 17 (Type)

| Entry  | Explanation                                                                                                                                                                                                                                                                                                                                                                                                         |
|--------|---------------------------------------------------------------------------------------------------------------------------------------------------------------------------------------------------------------------------------------------------------------------------------------------------------------------------------------------------------------------------------------------------------------------|
| H or D | Detail records usually contain data that comes directly from the input record or that is the result of calculations processed at detail time. Heading records usually contain constant identifying information such as titles, column headings, page number, and date. No distinction is made between heading and detail records. The H/D specifications are available to help the programmer document the program. |
| T      | Total records usually contain data that is the end result of specific calculations on several detail records.                                                                                                                                                                                                                                                                                                       |
| E      | Exception records are written during calculation time. Exception records can be specified only when the operation code EXCEPT is used. See "EXCEPT (Calculation Time Output)" on page 640 for further information on the EXCEPT operation code.                                                                                                                                                                     |

Position 17 indicates the type of record to be written. Position 17 must have an entry for every output record. Heading (H) and detail (D) lines are both processed as detail records. No special sequence is required for coding the output records; however, lines are handled at separate times within the program cycle based on their record type. See Figure 5 on page 22 and Figure 6 on page 23 for more information on when in the cycle output is performed.

**Note:** If NOMAIN is coded on a control specification, only exception output can be done.

### Positions 18-20 (Record Addition/Deletion)

| Entry | Explanation                                                                                                               |
|-------|---------------------------------------------------------------------------------------------------------------------------|
| ADD   | Add a record to the file or subfile.                                                                                      |
| DEL   | Delete the last record read from the file. The deleted record cannot be retrieved; the record is deleted from the system. |

An entry of ADD is valid for input, output, or update files. DEL is valid for update DISK files only. When ADD is specified, there must be an A in position 20 of the corresponding file-description specification.

If positions 18-20 are blank, then for an output file, the record will be added; for an update file, the record is updated.

The Record-Addition/Deletion entry must appear on the same line that contains the record type (H, D, T, E) specification (position 17). If an AND/OR line is used following an ADD or DEL entry, this entry applies to the AND/OR line also.

## Position 18 (Fetch Overflow/Release)

| Entry | Explanation |
|-------|-------------|
|-------|-------------|

|              |                                                                                                                                                                                                             |
|--------------|-------------------------------------------------------------------------------------------------------------------------------------------------------------------------------------------------------------|
| <b>Blank</b> | Must be blank for all files except printer files (PRINTER specified in positions 36 through 42 of the file description specifications). If position 18 is blank for printer files, overflow is not fetched. |
|--------------|-------------------------------------------------------------------------------------------------------------------------------------------------------------------------------------------------------------|

|          |                 |
|----------|-----------------|
| <b>F</b> | Fetch overflow. |
|----------|-----------------|

|          |                                              |
|----------|----------------------------------------------|
| <b>R</b> | Release a device (workstation) after output. |
|----------|----------------------------------------------|

### Fetch Overflow

An F in position 18 specifies fetch overflow for the printer file defined on this line. This file must be a printer file that has overflow lines. Fetch overflow is processed only when an overflow occurs and when all conditions specified by the indicators in positions 21 through 29 are satisfied. An overflow indicator cannot be specified on the same line as fetch overflow.

If an overflow indicator has not been specified with the OFLIND keyword on the file description specifications for a printer file, the compiler assigns one to the file. An overflow line is generated by the compiler for the file, except when no other output records exist for the file or when the printer uses externally described data. This compiler-generated overflow can be fetched.

Overflow lines can be written during detail, total, or exception output time. When the fetch overflow is specified, only overflow output associated with the file containing the processed fetch is output. The fetch overflow entry (F) is required on each OR line for record types that require the overflow routine. The fetch overflow routine does not automatically advance forms. For detailed information on the overflow routine see "Overflow Routine" on page 29 and Figure 7 on page 29.

The form length and overflow line can be specified using the FORMLEN and OFLIND keywords on the file description specifications, in the printer device file, or through an i5/OS override command.

### Release

After an output operation is complete, the device used in the operation is released if you have specified an R in position 18 of the corresponding output specifications. See the "REL (Release)" on page 742 operation for further information on releasing devices.

## Positions 21-29 (Output Conditioning Indicators)

| Entry | Explanation |
|-------|-------------|
|-------|-------------|

|              |                                                                                                                 |
|--------------|-----------------------------------------------------------------------------------------------------------------|
| <b>Blank</b> | The line or field is output every time the record (heading, detail, total, or exception) is checked for output. |
|--------------|-----------------------------------------------------------------------------------------------------------------|

|              |                                                                                                              |
|--------------|--------------------------------------------------------------------------------------------------------------|
| <b>01-99</b> | A general indicator that is used as a resulting indicator, field indicator, or record identifying indicator. |
|--------------|--------------------------------------------------------------------------------------------------------------|

|                     |                          |
|---------------------|--------------------------|
| <b>KA-KN, KP-KY</b> | Function key indicators. |
|---------------------|--------------------------|

|              |                           |
|--------------|---------------------------|
| <b>L1-L9</b> | Control level indicators. |
|--------------|---------------------------|

|              |                  |
|--------------|------------------|
| <b>H1-H9</b> | Halt indicators. |
|--------------|------------------|

|           |                                                                                                  |
|-----------|--------------------------------------------------------------------------------------------------|
| U1-U8     | External indicator set before running the program or set as a result of a calculation operation. |
| OA-OG, OV | Overflow indicator previously assigned to this file.                                             |
| MR        | Matching record indicator.                                                                       |
| LR        | Last record indicator.                                                                           |
| RT        | Return indicator.                                                                                |
| 1P        | First-page indicator. Valid only on heading or detail lines.                                     |

Conditioning indicators are not required on output lines. If conditioning indicators are not specified, the line is output every time that record is checked for output. Up to three indicators can be entered on one specification line to control when a record or a particular field within a record is written. The indicators that condition the output are coded in positions 22 and 23, 25 and 26, and 28 and 29. When an N is entered in positions 21, 24, or 27, the indicator in the associated position must be off for the line or field to be written. Otherwise, the indicator must be on for the line or field to be written. See "PAGE, PAGE1-PAGE7" on page 372 for information on how output indicators affect the PAGE fields.

If more than one indicator is specified on one line, all indicators are considered to be in an AND relationship.

If the output record must be conditioned by more than three indicators in an AND relationship, enter the letters AND in positions 16 through 18 of the following line and specify the additional indicators in positions 21 through 29 on that line.

For an AND relationship, fetch overflow (position 18) can only be specified on the first line. Positions 40 through 51 (spacing and skipping) must be blank for all AND lines.

An overflow indicator must be defined on the file description specifications with the OFLIND keyword before it can be used as a conditioning indicator. If a line is to be conditioned as an overflow line, the overflow indicator must appear on the main specification line or on the OR line. If an overflow indicator is used on an AND line, the line is *not* treated as an overflow line, but the overflow indicator is checked before the line is written. In this case, the overflow indicator is treated like any other output indicator.

If the output record is to be written when any one of two or more sets of conditions exist (an OR relationship), enter the letters OR in positions 16-18 of the following specification line, and specify the additional OR indicators on that line.

When an OR line is specified for a printer file, the skip and space entries (positions 40 through 51) can all be blank, in which case the space and skip entries of the preceding line are used. If they differ from the preceding line, enter space and skip entries on the OR line. If fetch overflow (position 18) is used, it must be specified on each OR line.

### Positions 30-39 (EXCEPT Name)

When the record type is an exception record (indicated by an E in position 17), a name can be placed in these positions of the record line. The EXCEPT operation can specify the name assigned to a group of the records to be output. This name is called an EXCEPT name. An EXCEPT name must follow the rules for using

## Record Identification and Control Entries

symbolic names. A group of any number of output records can use the same EXCEPT name, and the records do not have to be consecutive records.

When the EXCEPT operation is specified without an EXCEPT name, only those exception records without an EXCEPT name are checked and written if the conditioning indicators are satisfied.

When the EXCEPT operation specifies an EXCEPT name, only the exception records with that name are checked and written if the conditioning indicators are satisfied.

The EXCEPT name is specified on the main record line and applies to all AND/OR lines.

If an exception record with an EXCEPT name is conditioned by an overflow indicator, the record is written only during the overflow portion of the RPG IV cycle or during fetch overflow. The record is not written at the time the EXCEPT operation is processed.

An EXCEPT operation with no fields can be used to release a record lock in a file. The UNLOCK operation can also be used for this purpose. In Figure 145, the record lock in file RCDA is released by the EXCEPT operation. For more information, see *ILE Application Development Example, SC41-5602-00*.

```
*...1....+....2....+....3....+....4....+....5....+....6....+....7...
CL0N01Factor1+++++Opcode(E)+Factor2+++++Result+++++Len++D+HiLoEq..
C*
C KEY CHAIN RCDA
C EXCEPT RELEASE
ORcdname+++D...N01N02N03Excnam++++.....
0
0*
ORCDA E RELEASE
0* (no fields)
```

Figure 145. Record Lock in File Released by EXCEPT Operation

## Positions 40-51 (Space and Skip)

Use positions 40 through 51 to specify line spacing and skipping for a printer file. Spacing refers to advancing one line at a time, and skipping refers to jumping from one print line to another.

If spacing and skipping are specified for the same line, the spacing and skipping operations are processed in the following sequence:

- Skip before
- Space before
- Print a line
- Skip after
- Space after.

If the PRTCTL (printer control option) keyword is not specified on the file description specifications, an entry must be made in one of the following positions when the device is PRINTER: 40-42 (space before), 43-45 (space after), 46-48 (skip before), or 49-51 (skip after). If a space/skip entry is left blank, the particular function with the blank entry (such as space before or space after) does not occur.



If entries are made in positions 40-42 (space before) or in positions 46-51 (skip before and skip after) and no entry is made in positions 43 - 45 (space after), no space occurs after printing. When PRTCTL is specified, it is used only on records with blanks specified in positions 40 through 51.

If a skip before or a skip after a line on a new page is specified, but the printer is on that line, the skip does not occur.

### Positions 40-42 (Space Before)

| Entry      | Explanation    |
|------------|----------------|
| 0 or Blank | No spacing     |
| 1-255      | Spacing values |

### Positions 43-45 (Space After)

| Entry      | Explanation    |
|------------|----------------|
| 0 or Blank | No spacing     |
| 1-255      | Spacing values |

### Positions 46-48 (Skip Before)

| Entry | Explanation         |
|-------|---------------------|
| Blank | No skipping occurs. |
| 1-255 | Skipping values     |

### Positions 49-51 (Skip After)

| Entry | Explanation     |
|-------|-----------------|
| 1-255 | Skipping values |

---

## Field Description and Control Entries

These entries determine under what conditions and in what format fields of a record are to be written.

Each field is described on a separate line. Field description and control information for a field begins on the line following the record identification line.

### Positions 21-29 (Output Indicators)

Indicators specified on the field description lines determine whether a field is to be included in the output record, except for PAGE reserved fields. See "PAGE, PAGE1-PAGE7" on page 372 for information on how output indicators affect the PAGE fields. The same types of indicators can be used to control fields as are used to control records, see "Positions 21-29 (Output Conditioning Indicators)" on page 368. Indicators used to condition field descriptions lines cannot be specified in an AND/OR relationship. Conditioning indicators cannot be specified on format name specifications (see "Positions 53-80 (Constant, Edit Word, Data Attributes, Format Name)" on page 376) for program described WORKSTN files.

### Positions 30-43 (Field Name)

In positions 30 through 43, use one of the following entries to specify each field that is to be written out:

- A field name
- Blanks if a constant is specified in positions 53 through 80
- A table name, array name, or array element
- A named constant
- The RPG IV reserved words PAGE, PAGE1 through PAGE7, \*PLACE, UDATE, \*DATE, UDAY, \*DAY, UMONTH, \*MONTH, UYEAR, \*YEAR, \*IN, \*INxx, or \*IN(xx)
- A data structure name or data structure subfield name.

**Note:** A pointer field is not a valid output field—that is, pointer fields cannot be written.

### Field Names, Blanks, Tables and Arrays

The field names used must be defined in the program. Do not enter a field name if a constant or edit word is used in positions 53-80. If a field name is entered in positions 30 through 43, positions 7 through 20 must be blank.

Fields can be specified in any order because the sequence in which they appear on the output records is determined by the entry in positions 47 through 51. If fields overlap, the last field specified is the only field completely written.

When a non-indexed array name is specified, the entire array is written. An array name with a constant index or variable index causes one element to be written. When a table name is specified, the element last found in a “LOOKUP (Look Up a Table or Array Element)” on page 667 operation is written. The first element of a table is written if no successful LOOKUP operation was done.

The conditions for a record and the field it contains must be satisfied before the field is written out.

### PAGE, PAGE1-PAGE7

To use automatic page numbering, code PAGE in positions 30 through 43 as the name of the output field. Indicators specified in positions 21 through 29 condition the resetting of the PAGE field, not whether it prints. The PAGE field is always incremented by 1 and printed. If the conditioning indicators are met, it is reset to zero before being incremented by 1 and printed. If page numbers are needed for several output files (or for different numbering within one file), the entries PAGE1 through PAGE7 can be used. The PAGE fields are automatically zero-suppressed by the Z edit code.

For more information on the PAGE reserved words, see “RPG IV Words with Special Functions/Reserved Words” on page 5.

### \*PLACE

\*PLACE is an RPG IV reserved word that is used to repeat data in an output record. Fields or constants that have been specified on previous specification lines can be repeated in the output record without having the field and end positions named on a new specification line. When \*PLACE is coded in positions 30 through 43, all data between the first position and the highest end position previously specified for a field in that output record is repeated until the end position specified in the output record on the \*PLACE specification line is reached. The end

position specified on the \*PLACE specification line must be at least twice the highest end position of the group of fields to be duplicated. \*PLACE can be used with any type of output. Blank after (position 45), editing (positions 44, 53 through 80), data format (position 52), and relative end positions cannot be used with \*PLACE.

### User Date Reserved Words

The user date reserved words (UPDATE, \*DATE, UDAY, \*DAY, UMONTH, \*MONTH, UYEAR, \*YEAR) allow the programmer to supply a date for the program at run time. For more information on the user date reserved words, see "Rules for User Date" on page 8.

### \*IN, \*INxx, \*IN(xx)

The reserved words \*IN, \*INxx and \*IN(xx) allow the programmer to refer to and manipulate RPG IV indicators as data.

## Position 44 (Edit Codes)

| Entry                  | Explanation                                                                                                        |
|------------------------|--------------------------------------------------------------------------------------------------------------------|
| Blank                  | No edit code is used.                                                                                              |
| 1-9, A-D, J-Q, X, Y, Z | Numeric fields are zero-suppressed and punctuated according to a predefined pattern without the use of edit words. |

Position 44 is used to specify edit codes that suppress leading zeros in a numeric field or to punctuate a numeric field without using an edit word. Allowable entries are 1 through 9, A through D, J through Q, X, Y, Z, and blank.

**Note:** The entry must be blank if you are writing a float output field.

For more information on edit codes see Chapter 11, "Editing Numeric Fields," on page 219.

Edit codes 5 through 9 are user-defined edit codes and are defined externally by an i5/OS function. The edit code is determined at compilation time. Subsequent changes to a user-defined edit code will not affect the editing by the RPG IV compiler unless the program is recompiled.

## Position 45 (Blank After)

| Entry | Explanation                                                                                                                                              |
|-------|----------------------------------------------------------------------------------------------------------------------------------------------------------|
| Blank | The field is not reset.                                                                                                                                  |
| B     | The field specified in positions 30 through 43 is reset to blank, zero, or the default date/time/timestamp value after the output operation is complete. |

Position 45 is used to reset a numeric field to zeros or a character, graphic, or UCS-2 field to blanks. Date, time, and timestamp fields are reset to their default values.

If the field is conditioned by indicators in positions 21 through 29, the blank after is also conditioned. This position must be blank for look-ahead, user date reserved words, \*PLACE, named constants, and literals.

## Field Description and Control Entries

Resetting fields to zeros may be useful in total output when totals are accumulated and written for each control group in a program. After the total is accumulated and written for one control group, the total field can be reset to zeros before accumulation begins on the total for the next control group.

If blank after (position 45) is specified for a field to be written more than once, the B should be entered on the last line specifying output for that field, or else the field named will be printed as the blank-after value for all lines after the one doing the blank after.

### Positions 47-51 (End Position)

| Entry  | Explanation                             |
|--------|-----------------------------------------|
| 1-n    | End position                            |
| K1-K10 | Length of format name for WORKSTN file. |

Positions 47 through 51 define the end position of a field or constant on the output record, or define the length of the data description specifications record format name for a program described WORKSTN file.

The K identifies the entry as a length rather than an end position, and the number following the K indicates the length of the record format name. For example, if the format name is CUSPMT, the entry in positions 50 and 51 is K6. Leading zeros are permitted following the K, and the entry must be right-adjusted.

Valid entries for end positions are blanks, +nnnn, -nnnn, and nnnnn. All entries in these positions must end in position 51. Enter the position of the rightmost character of the field or constant. The end position must not exceed the record length for the file.

If an entire array is to be written, enter the end position of the last element in the array in positions 47 through 51. If the array is to be edited, be careful when specifying the end position to allow enough positions to write all edited elements. Each element is edited according to the edit code or edit word.

The +nnnn or -nnnn entry specifies the placement of the field or constant relative to the end position of the previous field. The number (nnnn) must be right-adjusted, but leading zeros are not required. Enter the sign anywhere to the left of the number within the entry field. To calculate the end position, use these formulas:

$$EP = PEP + nnnn + FL$$

$$EP = PEP - nnnn + FL$$

EP is the calculated end position. PEP is the previous end position. For the first field specification in the record, PEP is equal to zero. FL is the length of the field after editing, or the length of the constant specified in this specification. The use of +nnnn is equivalent to placing nnnn positions between the fields. A -nnnn causes an overlap of the fields by nnnn positions. For example, if the previous end position (PEP) is 6, the number of positions to be placed between the fields (nnnn) is 5, and the field length (FL) is 10, the end position (EP) equals 21.

When \*PLACE is used, an actual end position must be specified; it cannot be blank or a displacement.

An entry of blank is treated as an entry of +0000. No positions separate the fields.

**Position 52 (Data Format)****Entry Explanation****Blank**

- For numeric fields the data is to be written in zoned decimal format.
- For float numeric fields, the data is to be written in the external display representation.
- For graphic fields, the data is to be written with SO/SI brackets.
- For UCS-2 fields, the data is to be written in UCS-2 format.
- For date, time, and timestamp fields the data is to be written without format conversion performed.
- For character fields, the data is to be written as it is stored.

**A** The character field is to be written in either fixed- or variable-length format depending on the absence or presence of the \*VAR data attribute.

**C** The UCS-2 field is to be written in either fixed- or variable-length format depending on the absence or presence of the \*VAR data attribute.

**G** The graphic field (without SO/SI brackets) will be written in either fixed- or variable-length format depending on the absence or presence of the \*VAR data attribute.

**B** The numeric field is to be written in binary format.

**F** The numeric field is to be written in float format.

**I** The numeric field is to be written out in integer format.

**L** The numeric field is to be written with a preceding (left) plus or minus sign, in zoned-decimal format.

**N** The character field is to be written in indicator format.

**P** The numeric field is to be written in packed-decimal format.

**R** The numeric field is to be written with a following (right) plus or minus sign, in zoned-decimal format.

**S** The numeric field is to be written out in zoned-decimal format.

**U** The numeric field is to be written out in unsigned integer format.

**D** Date field— the date field will be converted to the format specified in positions 53-80 or to the default file date format.

**T** Time field— the time field will be converted to the format specified in positions 53-80 or to the default file time format.

**Z** Valid for Timestamp fields only.

This position must be blank if editing is specified.

The entry in position 52 specifies the external format of the data in the records in the file. This entry has no effect on the format used for internal processing of the output field in the program.

For numeric fields, the number of bytes required in the output record depends on this format. For example, a numeric field with 5 digits requires:

- 5 bytes when written in zoned format
- 3 bytes when written in packed format

## Field Description and Control Entries

- 6 bytes when written in either L or R format
  - 4 bytes when written in binary format
  - 2 bytes when written in either I or U format. This may cause an error at run time if the value is larger than the maximum value for a 2-byte integer or unsigned field. For the case of 5-digit fields, binary format may be better.
- Float numeric fields written out with blank Data Format entry occupy either 14 or 23 positions (for 4-byte and 8-byte float fields respectively) in the output record.

A 'G' or blank must be specified for a graphic field in a program-described file. If 'G' is specified, then, the data will be output without SO/SI. If this column is blank for program-described output, then SO/SI brackets will be placed around the field in the output record by the compiler if the field is of type graphic. You must ensure that there is sufficient room in the output record for both the data and the SO/SI characters.

## Positions 53-80 (Constant, Edit Word, Data Attributes, Format Name)

Positions 53 through 80 are used to specify a constant, an edit word, a data attribute, or a format name for a program described file.

### Constants

Constants consist of character data (literals) that does not change from one processing of the program to the next. A constant is the actual data used in the output record rather than a name representing the location of the data.

A constant can be placed in positions 53 through 80. The constant must begin in position 54 (apostrophe in position 53), and it must end with an apostrophe even if it contains only numeric characters. Any apostrophe used within the constant must be entered twice; however, only one apostrophe appears when the constant is written out. The field name (positions 30 through 43) must be blank. Constants can be continued (see "Continuation Rules" on page 239 for continuation rules). Instead of entering a constant, you can use a named constant.

Graphic and UCS-2 literals or named constants are not allowed as edit words, but may be specified as constants.

### Edit Words

An edit word specifies the punctuation of numeric fields, including the printing of dollar signs, commas, periods, and sign status. See "Parts of an Edit Word" on page 226 for details.

Edit words must be character literals or named constants. Graphic, UCS-2, or hexadecimal literals and named constants are not allowed.

### Data Attributes

Data attributes specify the external format for a date, time, or variable-length character, graphic, or UCS-2 field.

For date and time data, if no date or time format is specified, then the format/separator specified for the file (with either DATFMT or TIMFMT or both) is used. If there is no external date or time format specified for the file, then an error message is issued. See Table 27 on page 196 and Table 30 on page 198 for valid date and time formats.

For character, graphic, and UCS-2 data, the \*VAR data attribute is used to specify variable-length output fields. If this entry is blank for character, graphic, and UCS-2 data, then the external format is fixed length. For more information on variable-length fields, see “Variable-Length Character, Graphic and UCS-2 Formats” on page 175.

**Note:** The number of bytes occupied in the output record depends on the format specified. For example, a date written in \*MDY format requires 8 bytes, but a date written in \*ISO format requires 10 bytes.

For more information on external formats, see “Internal and External Formats” on page 169.

### Record Format Name

The name of the data description specifications record format that is used by a program described WORKSTN file must be specified in positions 53 through 62. One format name is required for each output record for the WORKSTN file; specifying more than one format name per record is not allowed. Conditioning indicators cannot be specified on format name specifications for program described WORKSTN files. The format name must be enclosed in apostrophes. You must also enter Kn in positions 47 through 51, where n is the length of the format name. For example, if the format name is 'CUSPMT', enter K6 in positions 50 and 51. A named constant can also be used.

---

## Externally Described Files

### Position 6 (Form Type)

An O must appear in position 6 to identify this line as an output specifications statement.

---

## Record Identification and Control Entries

Output specifications for an externally described file are optional. Entries in positions 7 through 39 of the record identification line identify the record format and determine under what conditions the records are to be written.

### Positions 7-16 (Record Name)

| Entry                      | Explanation                                                              |
|----------------------------|--------------------------------------------------------------------------|
| A valid record format name | A record format name must be specified for an externally described file. |

### Positions 16-18 ( Logical Relationship)

| Entry     | Explanation                                                                                                                        |
|-----------|------------------------------------------------------------------------------------------------------------------------------------|
| AND or OR | AND/OR indicates a relationship between lines of output indicators. AND/OR lines are valid for output records, but not for fields. |

See “Positions 16-18 ( Logical Relationship)” on page 366 for more information.

## Record Identification and Control Entries

### Position 17 (Type)

| Entry  | Explanation        |
|--------|--------------------|
| H or D | Detail records     |
| T      | Total records      |
| E      | Exception records. |

Position 17 indicates the type of record to be written. See "Position 17 (Type)" on page 367 for more information.

### Position 18 (Release)

| Entry | Explanation                    |
|-------|--------------------------------|
| R     | Release a device after output. |

See "Release" on page 368 for more information.

### Positions 18-20 (Record Addition)

| Entry | Explanation                              |
|-------|------------------------------------------|
| ADD   | Add a record to a file.                  |
| DEL   | Delete an existing record from the file. |

For more information on record addition, see "Positions 18-20 (Record Addition/Deletion)" on page 367.

### Positions 21-29 (Output Indicators)

Output indicators for externally described files are specified in the same way as those for program described files. The overflow indicators OA-OG, OV are not valid for externally described files. For more information on output indicators, see "Positions 21-29 (Output Conditioning Indicators)" on page 368.

### Positions 30-39 (EXCEPT Name)

An EXCEPT name can be specified in these positions for an exception record line. See "Positions 30-39 (EXCEPT Name)" on page 369 for more information.

---

## Field Description and Control Entries

For externally described files, the only valid field descriptions are output indicators (positions 21 through 29), field name (positions 30 through 43), and blank after (position 45).

### Positions 21-29 (Output Indicators)

Indicators specified on the field description lines determine whether a field is to be included in the output record. The same types of indicators can be used to control fields as are used to control records. See "Positions 21-29 (Output Conditioning Indicators)" on page 368 for more information.

### Positions 30-43 (Field Name)

| Entry | Explanation |
|-------|-------------|
|-------|-------------|



### Valid field name

A field name specified for an externally described file must be present in the external description unless the external name was renamed for the program.

**\*ALL** Specifies the inclusion of all the fields in the record.

For externally described files, only the fields specified are placed in the output record. \*ALL can be specified to include all the fields in the record. If \*ALL is specified, no other field description lines can be specified for that record. In particular, you cannot specify a B (blank after) in position 45.

For an update record, only those fields specified in the output field specifications and meeting the conditions specified by the output indicators are placed in the output record to be rewritten. The values that were read are used to rewrite all other fields.

For the creation of a new record (ADD specified in positions 18-20), the fields specified are placed in the output record. Those fields not specified or not meeting the conditions specified by the output indicators are written as zeros or blanks, depending on the data format specified in the external description.

## Position 45 (Blank After)

| Entry | Explanation |
|-------|-------------|
|-------|-------------|

|              |                         |
|--------------|-------------------------|
| <b>Blank</b> | The field is not reset. |
|--------------|-------------------------|

|          |                                                                                                                                                          |
|----------|----------------------------------------------------------------------------------------------------------------------------------------------------------|
| <b>B</b> | The field specified in positions 30 through 43 is reset to blank, zero, or the default date/time/timestamp value after the output operation is complete. |
|----------|----------------------------------------------------------------------------------------------------------------------------------------------------------|

Position 45 is used to reset a numeric field to zeros or a character, graphic, or UCS-2 field to blanks. Date, time, and timestamp fields are reset to their default values.

If the field is conditioned by indicators in positions 21 through 29, the blank after is also conditioned. This position must be blank for look-ahead, user date reserved words, \*PLACE, named constants, and literals.

Resetting fields to zeros may be useful in total output when totals are accumulated and written for each control group in a program. After the total is accumulated and written for one control group, the total field can be reset to zeros before accumulation begins on the total for the next control group.

If blank after (position 45) is specified for a field to be written more than once, the B should be entered on the last line specifying output for that field, or else the field named will be printed as the blank-after value for all lines after the one doing the blank after.

## Field Description and Control Entries

---

## Chapter 19. Procedure Specifications

Procedure specifications are used to define prototyped procedures that are specified after the main source section, otherwise known as subprocedures.

The prototype for the subprocedure must be defined in the main source section of the module containing the subprocedure definition. A subprocedure includes the following:

1. A Begin-Procedure specification (B in position 24 of a procedure specification)
2. A Procedure-Interface definition, which specifies the return value and parameters, if any. The procedure-interface definition is optional if the subprocedure does not return a value and does not have any parameters that are passed to it. The procedure interface must match the corresponding prototype.
3. Other definition specifications of variables, constants and prototypes needed by the subprocedure. These definitions are local definitions.
4. Any calculation specifications needed to perform the task of the procedure. Any subroutines included within the subprocedure are local. They cannot be used outside of the subprocedure. If the subprocedure returns a value, then a RETURN operation must be coded within the subprocedure. You should ensure that a RETURN operation is performed before reaching the end of the procedure.
5. An End-Procedure specification (E in position 24 of a procedure specification)

Except for a procedure-interface definition, which may be placed anywhere within the definition specifications, a subprocedure must be coded in the order shown above.

For an example of a subprocedure, see “Subprocedure Definition” on page 94.

---

### Procedure Specification Statement

The general layout for the procedure specification is as follows:

- The procedure specification type (P) is entered in position 6
- The non-commentary part of the specification extends from position 7 to position 80
  - The fixed-format entries extend from positions 7 to 24
  - The keyword entries extend from positions 44 to 80
- The comments section of the specification extends from position 81 to position 100

|                                                                                                                                                             |
|-------------------------------------------------------------------------------------------------------------------------------------------------------------|
| <pre>*.. 1 ...+... 2 ...+... 3 ...+... 4 ...+... 5 ...+... 6 ...+... 7 ...+... 8 ...+... 9 ...+... 10 PName+++++.....B.....Keywords+++++Comments+++++</pre> |
|-------------------------------------------------------------------------------------------------------------------------------------------------------------|

Figure 146. Procedure Specification Layout

### Procedure Specification Keyword Continuation Line

If additional space is required for keywords, the keywords field can be continued on subsequent lines as follows:

## Procedure Specification Statement

- Position 6 of the continuation line must contain a P
- Positions 7 to 43 of the continuation line must be blank
- The specification continues on or past position 44

```
*.. 1 ...+... 2 ...+... 3 ...+... 4 ...+... 5 ...+... 6 ...+... 7 ...+... 8 ...+... 9 ...+... 10
P.....Keywords+++++++Comments+++++++
```

Figure 147. Procedure Specification Keyword Continuation Line Layout

## Procedure Specification Continued Name Line

A name that is up to 15 characters long can be specified in the Name entry of the procedure specification without requiring continuation. Any name (even one with 15 characters or fewer) can be continued on multiple lines by coding an ellipsis (...) at the end of the partial name. A name definition consists of the following parts:

1. Zero or more continued name lines. Continued name lines are identified as having an ellipsis as the last non-blank character in the entry. The name must begin within positions 7 to 21 and may end anywhere up to position 77 (with an ellipsis ending in position 80). There cannot be blanks between the start of the name and the ellipsis character. If any of these conditions is not true, the line is parsed as a main procedure-name line.
2. One main procedure-name line, containing a name, begin/end procedure, and keywords. If a continued name line is coded, the Name entry of the main procedure-name line may be left blank.
3. Zero or more keyword continuation lines.

```
*.. 1 ...+... 2 ...+... 3 ...+... 4 ...+... 5 ...+... 6 ...+... 7 ...+... 8 ...+... 9 ...+... 10
PContinuedName+++++++Comments+++++++
```

Figure 148. Procedure Specification Continued Name Line Layout

### Position 6 (Form Type)

Enter a P in this position for a procedure specification.

### Positions 7-21 (Name)

| Entry | Explanation                                 |
|-------|---------------------------------------------|
| Name  | The name of the subprocedure to be defined. |

Use positions 7-21 to specify the name of the subprocedure being defined. If the name is longer than 15 characters, a name is specified in positions 7 - 80 of the continued name lines. The normal rules for RPG IV symbolic names apply; reserved words cannot be used (see "Symbolic Names" on page 3). The name can begin in any position in the space provided.

The name specified must be the same as the name of the prototype describing the procedure. If position 24 contains an E, then the name is optional.

### Position 24 (Begin/End Procedure)

| Entry | Explanation                                                              |
|-------|--------------------------------------------------------------------------|
| B     | The specification marks the beginning of the subprocedure being defined. |

E The specification marks the end of the subprocedure being defined.

A subprocedure coding consists minimally of a beginning procedure specification and an ending procedure specification. Any parameters and return value, as well as other definitions and calculations for the subprocedure are specified between the procedure specifications.

### Positions 44-80 (Keywords)

Positions 44 to 80 are provided for procedure specification keywords. Only a Begin-Procedure specification (B in position 24) can have a keyword entry.

---

## Procedure-Specification Keywords

### EXPORT

The specification of the EXPORT keyword allows the procedure to be called by another module in the program. The name in positions 7-21 is exported in uppercase form.

**Note:** Procedure names are not imported using the IMPORT keyword. They are imported implicitly by any module in the program that makes a bound call to the procedure or that uses the procedure name to initialize a procedure pointer.

If the EXPORT keyword is not specified, the procedure can only be called from within the module.

## Procedure-Specification Keywords

---

## Part 4. Operations, Expressions, and Functions

This section describes the various ways in which you can manipulate data or devices. The major topics include:

- Operations that you can perform, using operation codes or built-in functions
- Expressions and the rules governing them
- Built-in functions
- Operation codes.





---

## Chapter 20. Operations

The RPG IV programming language allows you to do many different types of operations on your data. To perform an operation, you use either an operation code or a built-in function.

This chapter summarizes the operation codes and built-in functions that are available. It also organizes the operation codes and built-in functions into categories.

For detailed information about a specific operation code or built-in function, see Chapter 23, "Operation Codes," on page 563 or Chapter 22, "Built-in Functions," on page 455.

---

### Operation Codes

The following table shows the free-form syntax for each operation code.

- Extenders
  - (A) Always perform a dump, even if DEBUG(\*NO) is specified
  - (D) Pass operational descriptors on bound call
  - (D) Date field
  - (E) Error handling
  - (H) Half adjust (round the numeric result)
  - (M) Default precision rules
  - (N) Do not lock record
  - (N) Set pointer to \*NULL after successful DEALLOC
  - (N) Do not force data to non-volatile storage
  - (P) Pad the result with blanks or zeros
  - (R) "Result Decimal Position" precision rules
  - (T) Time field
  - (Z) Timestamp field

Table 45. Operation Codes in Free-Form Syntax

| Code                 | Free-Form Syntax                                                      |
|----------------------|-----------------------------------------------------------------------|
| ACQ <sup>1</sup>     | ACQ{(E)} <i>device-name workstn-file</i>                              |
| BEGSR                | BEGSR <i>subroutine-name</i>                                          |
| CALLP                | {CALLP{(EMR)}} <i>name( {parm1{:parm2...}} )</i>                      |
| CHAIN                | CHAIN{(ENHMR)} <i>search-arg file-or-record-name {data-structure}</i> |
| CLEAR                | CLEAR {*NOKEY} {*ALL} <i>name</i>                                     |
| CLOSE                | CLOSE{(E)} <i>file-name</i>                                           |
| COMMIT               | COMMIT{(E)} <i>{boundary}</i>                                         |
| DEALLOC <sup>1</sup> | DEALLOC{(EN)} <i>pointer-name</i>                                     |
| DELETE               | DELETE{(EHMR)} <i>{search-arg} file-or-record-name</i>                |
| DOU                  | DOU{(MR)} <i>indicator-expression</i>                                 |
| DOW                  | DOW{(MR)} <i>indicator-expression</i>                                 |
| DSPLY                | DSPLY{(E)} <i>{message {output-queue {response}}}</i>                 |
| DUMP <sup>1</sup>    | DUMP{(A)} <i>{identifier}</i>                                         |

Table 45. Operation Codes in Free-Form Syntax (continued)

| Code               | Free-Form Syntax                                                                              |
|--------------------|-----------------------------------------------------------------------------------------------|
| ELSE               | ELSE                                                                                          |
| ELSEIF             | ELSEIF{(MR)} <i>indicator-expression</i>                                                      |
| ENDDO              | ENDDO                                                                                         |
| ENDFOR             | ENDFOR                                                                                        |
| ENDIF              | ENDIF                                                                                         |
| ENDMON             | ENDMON                                                                                        |
| ENDSL              | ENDSL                                                                                         |
| ENDSR              | ENDSR { <i>return-point</i> }                                                                 |
| EVAL               | {EVAL{(HMR)}} <i>result = expression</i>                                                      |
| EVALR              | EVALR{(MR)} <i>result = expression</i>                                                        |
| EVAL-CORR          | EVAL-CORR{(EH)} <i>target-ds = source-ds</i>                                                  |
| EXCEPT             | EXCEPT { <i>except-name</i> }                                                                 |
| EXFMT              | EXFMT{(E)} <i>format-name</i>                                                                 |
| EXSR               | EXSR <i>subroutine-name</i>                                                                   |
| FEOD               | FEOD{(EN)} <i>file-name</i>                                                                   |
| FOR                | FOR{(MR)} <i>index</i> {= <i>start</i> } {BY <i>increment</i> } {TO DOWNTO <i>limit</i> }     |
| FORCE              | FORCE <i>file-name</i>                                                                        |
| IF                 | IF{(MR)} <i>indicator-expression</i>                                                          |
| IN <sup>1</sup>    | IN{(E)} {*LOCK} <i>data-area-name</i>                                                         |
| ITER               | ITER                                                                                          |
| LEAVE              | LEAVE                                                                                         |
| LEAVESR            | LEAVESR                                                                                       |
| MONITOR            | MONITOR                                                                                       |
| NEXT <sup>1</sup>  | NEXT{(E)} <i>program-device file-name</i>                                                     |
| ON-ERROR           | ON-ERROR { <i>exception-id1</i> {: <i>exception-id2...</i> }                                  |
| OPEN               | OPEN{(E)} <i>file-name</i>                                                                    |
| OTHER              | OTHER                                                                                         |
| OUT <sup>1</sup>   | OUT{(E)} {*LOCK} <i>data-area-name</i>                                                        |
| POST <sup>1</sup>  | POST{(E)} { <i>program-device</i> } <i>file-name</i>                                          |
| READ               | READ{(EN)} <i>file-or-record-name</i> { <i>data-structure</i> }                               |
| READC              | READC{(E)} <i>record-name</i> { <i>data-structure</i> }                                       |
| READE              | READE{(ENHMR)} <i>search-arg</i>   *KEY <i>file-or-record-name</i> { <i>data-structure</i> }  |
| READP              | READP{(EN)} <i>name</i> { <i>data-structure</i> }                                             |
| READPE             | READPE{(ENHMR)} <i>search-arg</i>   *KEY <i>file-or-record-name</i> { <i>data-structure</i> } |
| REL <sup>1</sup>   | REL{(E)} <i>program-device file-name</i>                                                      |
| RESET <sup>1</sup> | RESET{(E)} {*NOKEY} {*ALL} <i>name</i>                                                        |
| RETURN             | RETURN{(HMR)} <i>expression</i>                                                               |
| ROLBK              | ROLBK{(E)}                                                                                    |
| SELECT             | SELECT                                                                                        |
| SETGT              | SETGT{(EHMR)} <i>search-arg file-or-record-name</i>                                           |

Table 45. Operation Codes in Free-Form Syntax (continued)

| Code                | Free-Form Syntax                                                                                            |
|---------------------|-------------------------------------------------------------------------------------------------------------|
| SETLL               | SETLL{(EHMR)} <i>search-arg file-or-record-name</i>                                                         |
| SORTA               | SORTA <i>array-name</i>                                                                                     |
| TEST <sup>1</sup>   | TEST{(EDTZ)} { <i>dtz-format</i> } <i>field-name</i>                                                        |
| UNLOCK <sup>1</sup> | UNLOCK{(E)} <i>name</i>                                                                                     |
| UPDATE              | UPDATE{(E)} <i>file-or-record-name</i> { <i>data-structure</i>   %FIELDS( <i>name</i> [: <i>name</i> ...])} |
| WHEN                | WHEN{(MR)} <i>indicator-expression</i>                                                                      |
| WRITE               | WRITE{(E)} <i>file-or-record-name</i> { <i>data-structure</i> }                                             |
| XML-INTO            | XML-INTO{(EH)} <i>target-or-handler xml-document</i>                                                        |
| XML-SAX             | XML-SAX{(E)} <i>handler xml-document</i>                                                                    |

**Notes:**

1. Complex-qualified names are not allowed for this operation code.

The next table is a summary of the specifications for each operation code in traditional syntax.

- An empty column indicates that the field must be blank.
- All underlined fields are required.
- An underscored space denotes that there is no resulting indicator in that position.
- Symbols
  - + Plus
  - Minus
- Extenders
  - (A) Always perform a dump, even if DEBUG(\*NO) is specified
  - (D) Pass operational descriptors on bound call
  - (D) Date field
  - (E) Error handling
  - (H) Half adjust (round the numeric result)
  - (M) Default precision rules
  - (N) Do not lock record
  - (N) Set pointer to \*NULL after successful DEALLOC
  - (P) Pad the result with blanks or zeros
  - (R) "Result Decimal Position" precision rules
  - (T) Time field
  - (Z) Timestamp field
- Resulting indicator symbols
  - BL Blank(s)
  - BN Blank(s) then numeric
  - BOF Beginning of the file
  - EOF End of the file
  - EQ Equal
  - ER Error
  - FD Found
  - HI Greater than
  - IN Indicator
  - LO Less than
  - LR Last record
  - NR No record was found

NU    Numeric  
 OF    Off  
 ON    On  
 Z     Zero  
 ZB    Zero or Blank

Table 46. Operation Codes in Traditional Syntax

| Codes                 | Factor 1                 | Factor 2                                   | Result Field                            | Resulting Indicators |       |                 |
|-----------------------|--------------------------|--------------------------------------------|-----------------------------------------|----------------------|-------|-----------------|
|                       |                          |                                            |                                         | 71-72                | 73-74 | 75-76           |
| ACQ (E <sup>7</sup> ) | <u>device-name</u>       | <u>workstn-file</u>                        |                                         |                      | ER    |                 |
| ADD (H)               | Addend                   | <u>Addend</u>                              | <u>Sum</u>                              | +                    | -     | Z               |
| ADDDUR (E)            | Date/Time                | <u>Duration:Duration Code</u>              | Date/Time                               |                      | ER    |                 |
| ALLOC (E)             |                          | <u>Length</u>                              | <u>Pointer</u>                          |                      | ER    |                 |
| ANDxx                 | <u>Comparand</u>         | <u>Comparand</u>                           |                                         |                      |       |                 |
| BEGSR                 | <u>subroutine-name</u>   |                                            |                                         |                      |       |                 |
| BITOFF                |                          | <u>Bit numbers</u>                         | <u>Character field</u>                  |                      |       |                 |
| BITON                 |                          | <u>Bit numbers</u>                         | <u>Character field</u>                  |                      |       |                 |
| CABxx                 | <u>Comparand</u>         | <u>Comparand</u>                           | Label                                   | HI                   | LO    | EQ              |
| CALL (E)              |                          | <u>Program name</u>                        | Plist name                              |                      | ER    | LR              |
| CALLB (D E)           |                          | <u>Procedure name or Procedure pointer</u> | Plist name                              |                      | ER    | LR              |
| CALLP (E M/R)         |                          | <u>name{ (parm1 {;parm2...}) }</u>         |                                         |                      |       |                 |
| CASxx                 | Comparand                | Comparand                                  | <u>Subroutine name</u>                  | HI                   | LO    | EQ              |
| CAT (P)               | Source string 1          | <u>Source string 2:number of blanks</u>    | <u>Target string</u>                    |                      |       |                 |
| CHAIN (E N)           | <u>search-arg</u>        | <u>name (file or record format)</u>        | data-structure                          | NR <sup>2</sup>      | ER    |                 |
| CHECK (E)             | <u>Comparator String</u> | <u>Base String:start</u>                   | Left-most Position(s)                   |                      | ER    | FD <sup>2</sup> |
| CHECKR (E)            | <u>Comparator String</u> | <u>Base String:start</u>                   | Right-most Position(s)                  |                      | ER    | FD <sup>2</sup> |
| CLEAR                 | *NOKEY                   | *ALL                                       | <u>name (variable or record format)</u> |                      |       |                 |
| CLOSE (E)             |                          | <u>file-name or *ALL</u>                   |                                         |                      | ER    |                 |
| COMMIT (E)            | boundary                 |                                            |                                         |                      | ER    |                 |
| COMP <sup>1</sup>     | <u>Comparand</u>         | <u>Comparand</u>                           |                                         | HI                   | LO    | EQ              |
| DEALLOC (E/N)         |                          |                                            | <u>pointer-name</u>                     |                      | ER    |                 |
| DEFINE                | <u>*LIKE</u>             | <u>Referenced field</u>                    | <u>Defined field</u>                    |                      |       |                 |
| DEFINE                | <u>*DTAARA</u>           | External data area                         | <u>Internal field</u>                   |                      |       |                 |
| DELETE (E)            | <u>search-arg</u>        | <u>name (file or record format)</u>        |                                         | NR <sup>2</sup>      | ER    |                 |
| DIV (H)               | Dividend                 | <u>Divisor</u>                             | <u>Quotient</u>                         | +                    | -     | Z               |
| DO                    | Starting value           | Limit value                                | Index value                             |                      |       |                 |
| DOU (M/R)             |                          | <u>indicator-expression</u>                |                                         |                      |       |                 |

Table 46. Operation Codes in Traditional Syntax (continued)

| Codes                       | Factor 1               | Factor 2                                                       | Result Field        | Resulting Indicators |       |                 |
|-----------------------------|------------------------|----------------------------------------------------------------|---------------------|----------------------|-------|-----------------|
|                             |                        |                                                                |                     | 71-72                | 73-74 | 75-76           |
| DOUxx                       | <u>Comparand</u>       | <u>Comparand</u>                                               |                     |                      |       |                 |
| DOW (M/R)                   |                        | <u>indicator-expression</u>                                    |                     |                      |       |                 |
| DOWxx                       | <u>Comparand</u>       | <u>Comparand</u>                                               |                     |                      |       |                 |
| DSPLY (E) <sup>4</sup>      | message                | output-queue                                                   | response            |                      | ER    |                 |
| DUMP (A)                    | identifier             |                                                                |                     |                      |       |                 |
| ELSE                        |                        |                                                                |                     |                      |       |                 |
| ELSEIF (M/R)                |                        | <u>indicator-expression</u>                                    |                     |                      |       |                 |
| END                         |                        | Increment value                                                |                     |                      |       |                 |
| ENDCS                       |                        |                                                                |                     |                      |       |                 |
| ENDDO                       |                        | Increment value                                                |                     |                      |       |                 |
| ENDFOR                      |                        |                                                                |                     |                      |       |                 |
| ENDIF                       |                        |                                                                |                     |                      |       |                 |
| ENDMON                      |                        |                                                                |                     |                      |       |                 |
| ENDSL                       |                        |                                                                |                     |                      |       |                 |
| ENDSR                       | label                  | return-point                                                   |                     |                      |       |                 |
| EVAL (H M/R)                |                        | <u>Result = Expression</u>                                     |                     |                      |       |                 |
| EVALR (M/R)                 |                        | <u>Result = Expression</u>                                     |                     |                      |       |                 |
| EVAL-CORR                   |                        | EVAL-CORR <i>target-ds = source-ds</i>                         |                     |                      |       |                 |
| EXCEPT                      |                        | except-name                                                    |                     |                      |       |                 |
| EXFMT (E)                   |                        | <u>Record format-name</u>                                      |                     |                      | ER    |                 |
| EXSR                        |                        | <u>subroutine-name</u>                                         |                     |                      |       |                 |
| EXTRCT (E)                  |                        | <u>Date/Time:Duration Code</u>                                 | <u>Target Field</u> |                      | ER    |                 |
| FEOD (EN)                   |                        | <u>file-name</u>                                               |                     |                      | ER    |                 |
| FOR                         |                        | <u>Index-name</u> = start-value BY increment TO   DOWNTO limit |                     |                      |       |                 |
| FORCE                       |                        | <u>file-name</u>                                               |                     |                      |       |                 |
| GOTO                        |                        | <u>Label</u>                                                   |                     |                      |       |                 |
| IF (M/R)                    |                        | <u>indicator-expression</u>                                    |                     |                      |       |                 |
| IFxx                        | <u>Comparand</u>       | <u>Comparand</u>                                               |                     |                      |       |                 |
| IN (E)                      | *LOCK                  | <u>data-area-name</u>                                          |                     |                      | ER    |                 |
| ITER                        |                        |                                                                |                     |                      |       |                 |
| KFLD                        |                        |                                                                | <u>Key field</u>    |                      |       |                 |
| KLIST                       | <u>KLIST name</u>      |                                                                |                     |                      |       |                 |
| LEAVE                       |                        |                                                                |                     |                      |       |                 |
| LEAVESR                     |                        |                                                                |                     |                      |       |                 |
| LOOKUP <sup>1</sup> (array) | <u>Search argument</u> | <u>Array name</u>                                              |                     | HI                   | LO    | EQ <sup>6</sup> |
| LOOKUP <sup>1</sup> (table) | <u>Search argument</u> | <u>Table name</u>                                              | Table name          | HI                   | LO    | EQ <sup>6</sup> |
| MHHZO                       |                        | <u>Source field</u>                                            | <u>Target field</u> |                      |       |                 |
| MHLZO                       |                        | <u>Source field</u>                                            | <u>Target field</u> |                      |       |                 |
| MLHZO                       |                        | <u>Source field</u>                                            | <u>Target field</u> |                      |       |                 |

Table 46. Operation Codes in Traditional Syntax (continued)

| Codes                 | Factor 1                        | Factor 2                            | Result Field                            | Resulting Indicators |       |                  |
|-----------------------|---------------------------------|-------------------------------------|-----------------------------------------|----------------------|-------|------------------|
|                       |                                 |                                     |                                         | 71-72                | 73-74 | 75-76            |
| MLLZO                 |                                 | <u>Source field</u>                 | <u>Target field</u>                     |                      |       |                  |
| MONITOR               |                                 |                                     |                                         |                      |       |                  |
| MOVE (P)              | Data Attributes                 | <u>Source field</u>                 | <u>Target field</u>                     | +                    | -     | ZB               |
| MOVEA (P)             |                                 | <u>Source</u>                       | <u>Target</u>                           | +                    | -     | ZB               |
| MOVEL (P)             | Data Attributes                 | <u>Source field</u>                 | <u>Target field</u>                     | +                    | -     | ZB               |
| MULT (H)              | Multiplicand                    | <u>Multiplier</u>                   | <u>Product</u>                          | +                    | -     | Z                |
| MVR                   |                                 |                                     | <u>Remainder</u>                        | +                    | -     | Z                |
| NEXT (E)              | <u>program-device</u>           | <u>file-name</u>                    |                                         |                      | ER    |                  |
| OCCUR (E)             | Occurrence value                | <u>Data structure</u>               | Occurrence value                        |                      | ER    |                  |
| ON-ERROR              |                                 | Status codes                        |                                         |                      |       |                  |
| OPEN (E)              |                                 | <u>file-name</u>                    |                                         |                      | ER    |                  |
| ORxx                  | <u>Comparand</u>                | <u>Comparand</u>                    |                                         |                      |       |                  |
| OTHER                 |                                 |                                     |                                         |                      |       |                  |
| OUT (E)               | *LOCK                           | <u>data-area-name</u>               |                                         |                      | ER    |                  |
| PARM                  | Target field                    | Source field                        | <u>Parameter</u>                        |                      |       |                  |
| PLIST                 | <u>PLIST name</u>               |                                     |                                         |                      |       |                  |
| POST (E) <sup>3</sup> | <u>program-device</u>           | <u>file-name</u>                    | <u>INFDS name</u>                       |                      | ER    |                  |
| READ (E N)            |                                 | <u>name</u> (file or record format) | data-structure                          |                      | ER    | EOF <sup>5</sup> |
| READC (E)             |                                 | <u>record-name</u>                  | data-structure                          |                      | ER    | EOF <sup>5</sup> |
| RADE (E N)            | search-arg                      | <u>name</u> (file or record format) | data-structure                          |                      | ER    | EOF <sup>5</sup> |
| READP (E N)           |                                 | <u>name</u> (file or record format) | data-structure                          |                      | ER    | BOF <sup>5</sup> |
| READPE (E N)          | search-arg                      | <u>name</u> (file or record format) | data-structure                          |                      | ER    | BOF <sup>5</sup> |
| REALLOC (E)           |                                 | <u>Length</u>                       | <u>Pointer</u>                          |                      | ER    |                  |
| REL (E)               | <u>program-device</u>           | <u>file-name</u>                    |                                         |                      | ER    |                  |
| RESET (E)             | *NOKEY                          | *ALL                                | <u>name</u> (variable or record format) |                      | ER    |                  |
| RETURN (H M/R)        |                                 | Expression                          |                                         |                      |       |                  |
| ROLBK (E)             |                                 |                                     |                                         |                      | ER    |                  |
| SCAN (E)              | <u>Comparator string:length</u> | <u>Base string:start</u>            | Left-most position(s)                   |                      | ER    | FD <sup>2</sup>  |
| SELECT                |                                 |                                     |                                         |                      |       |                  |
| SETGT (E)             | <u>search-arg</u>               | <u>name</u> (file or record format) |                                         | NR <sup>2</sup>      | ER    |                  |
| SETLL (E)             | <u>search-arg</u>               | <u>name</u> (file or record format) |                                         | NR <sup>2</sup>      | ER    | EQ <sup>6</sup>  |

Table 46. Operation Codes in Traditional Syntax (continued)

| Codes                    | Factor 1                              | Factor 2                                       | Result Field                                            | Resulting Indicators |       |                  |
|--------------------------|---------------------------------------|------------------------------------------------|---------------------------------------------------------|----------------------|-------|------------------|
|                          |                                       |                                                |                                                         | 71-72                | 73-74 | 75-76            |
| SETOFF <sup>1</sup>      |                                       |                                                |                                                         | OF                   | OF    | OF               |
| SETON <sup>1</sup>       |                                       |                                                |                                                         | ON                   | ON    | ON               |
| SHTDN                    |                                       |                                                |                                                         | ON                   |       |                  |
| SORTA                    |                                       | <u>array-name</u>                              |                                                         |                      |       |                  |
| SQRT (H)                 |                                       | <u>Value</u>                                   | <u>Root</u>                                             |                      |       |                  |
| SUB (H)                  | Minuend                               | <u>Subtrahend</u>                              | <u>Difference</u>                                       | +                    | -     | Z                |
| SUBDUR (E)<br>(duration) | <u>Date/Time/</u><br><u>Timestamp</u> | <u>Date/Time/Timestamp</u>                     | <u>Duration:</u><br><u>Duration Code</u>                |                      | ER    |                  |
| SUBDUR (E) (new<br>date) | <u>Date/Time/</u><br><u>Timestamp</u> | <u>Duration:Duration Code</u>                  | <u>Date/Time/</u><br><u>Timestamp</u>                   |                      | ER    |                  |
| SUBST (E P)              | Length to extract                     | <u>Base string:start</u>                       | <u>Target string</u>                                    |                      | ER    |                  |
| TAG                      | <u>Label</u>                          |                                                |                                                         |                      |       |                  |
| TEST (E) <sup>8</sup>    |                                       |                                                | <u>Date/Time or</u><br><u>Timestamp</u><br><u>Field</u> |                      | ER    |                  |
| TEST (D E) <sup>8</sup>  | Date Format                           |                                                | <u>Character or</u><br><u>Numeric field</u>             |                      | ER    |                  |
| TEST (E T) <sup>8</sup>  | Time Format                           |                                                | <u>Character or</u><br><u>Numeric field</u>             |                      | ER    |                  |
| TEST (E Z) <sup>8</sup>  | Timestamp Format                      |                                                | <u>Character or</u><br><u>Numeric field</u>             |                      | ER    |                  |
| TESTB <sup>1</sup>       |                                       | <u>Bit numbers</u>                             | <u>Character field</u>                                  | OF                   | ON    | EQ               |
| TESTN <sup>1</sup>       |                                       |                                                | <u>Character field</u>                                  | NU                   | BN    | BL               |
| TESTZ <sup>1</sup>       |                                       |                                                | <u>Character field</u>                                  | AI                   | JR    | XX               |
| TIME                     |                                       |                                                | <u>Target field</u>                                     |                      |       |                  |
| UNLOCK (E)               |                                       | <u>name</u> (file or data area)                |                                                         |                      | ER    |                  |
| UPDATE (E)               |                                       | <u>name</u> (file or record<br>format)         | data-<br>structure                                      |                      | ER    |                  |
| WHEN (M/R)               |                                       | <u>indicator-expression</u>                    |                                                         |                      |       |                  |
| WHEN <sub>xx</sub>       | <u>Comparand</u>                      | <u>Comparand</u>                               |                                                         |                      |       |                  |
| WRITE (E)                |                                       | <u>name</u> (file or record<br>format)         | data-<br>structure                                      |                      | ER    | EOF <sup>5</sup> |
| XFOOT (H)                |                                       | <u>Array name</u>                              | <u>Sum</u>                                              | +                    | -     | Z                |
| XLATE (E P)              | <u>From:To</u>                        | <u>String:start</u>                            | <u>Target String</u>                                    |                      | ER    |                  |
| XML-INTO                 |                                       | XML-INTO <i>target-or-handler xml-document</i> |                                                         |                      |       |                  |
| XML-SAX                  |                                       | XML-SAX{(E)} <i>handler xml-document</i>       |                                                         |                      |       |                  |
| Z-ADD (H)                |                                       | <u>Addend</u>                                  | <u>Sum</u>                                              | +                    | -     | Z                |
| Z-SUB (H)                |                                       | <u>Subtrahend</u>                              | <u>Difference</u>                                       | +                    | -     | Z                |

Table 46. Operation Codes in Traditional Syntax (continued)

| Codes                                                                                                                                                                                                                                                                                                                                                                                                                                                                                                                                                                                                                                                                                                                                                                                                                                                                   | Factor 1 | Factor 2 | Result Field | Resulting Indicators |       |       |
|-------------------------------------------------------------------------------------------------------------------------------------------------------------------------------------------------------------------------------------------------------------------------------------------------------------------------------------------------------------------------------------------------------------------------------------------------------------------------------------------------------------------------------------------------------------------------------------------------------------------------------------------------------------------------------------------------------------------------------------------------------------------------------------------------------------------------------------------------------------------------|----------|----------|--------------|----------------------|-------|-------|
|                                                                                                                                                                                                                                                                                                                                                                                                                                                                                                                                                                                                                                                                                                                                                                                                                                                                         |          |          |              | 71-72                | 73-74 | 75-76 |
| <p><b>Notes:</b></p> <ol style="list-style-type: none"> <li>1. At least one resulting indicator is required.</li> <li>2. The %FOUND built-in function can be used as an alternative to specifying an NR or FD resulting indicator.</li> <li>3. You must specify factor 2 or the result field. You may specify both.</li> <li>4. You must specify factor 1 or the result field. You may specify both.</li> <li>5. The %EOF built-in function can be used as an alternative to specifying an EOF or BOF resulting indicator.</li> <li>6. The %EQUAL built-in function can be used to test the SETLL and LOOKUP operations.</li> <li>7. For all operation codes with extender 'E', either the extender 'E' or an ER error indicator can be specified, but not both.</li> <li>8. You must specify the extender 'E' or an error indicator for the TEST operation.</li> </ol> |          |          |              |                      |       |       |

## Built-in Functions

Built-in functions are similar to operation codes in that they perform operations on data you specify. Built-in functions can be used in expressions. Additionally, constant-valued built-in functions can be used in named constants. These named constants can be used in any specification.

All built-in functions have the percent symbol (%) as their first character. The syntax of built-in functions is:

```
function-name{(argument{:argument...})}
```

Arguments for the function may be variables, constants, expressions, a prototyped procedure, or other built-in functions. An expression argument can include a built-in function. The following example illustrates this.

```
CL0N01Factor1+++++0opcode(E)+Extended-factor2+++++
*
* This example shows a complex expression with multiple
* nested built-in functions.
*
* %TRIM takes as its argument a string. In this example, the
* argument is the concatenation of string A and the string
* returned by the %SUBST built-in function. %SUBST will return
* a substring of string B starting at position 11 and continuing
* for the length returned by %SIZE minus 20. %SIZE will return
* the length of string B.
*
* If A is the string ' Toronto,' and B is the string
* ' Ontario, Canada ' then the argument for %TRIM will
* be ' Toronto, Canada ' and RES will have the value
* 'Toronto, Canada'.
*
C EVAL RES = %TRIM(A + %SUBST(B:11:%SIZE(B) - 20))
```

Figure 149. Built-in Function Arguments Example

See the individual built-in function descriptions for details on what arguments are allowed.



Unlike operation codes, built-in functions return a value rather than placing a value in a result field. The following example illustrates this difference.

```

CL0N01Factor1+++++0pcode(E)+Factor2+++++Result+++++Len++D+HiLoEq....
*
* In the following example, CITY contains the string
* 'Toronto, Ontario'. The SCAN operation is used to locate the
* separating blank, position 9 in this illustration. SUBST
* places the string 'Ontario' in field TCNTRE.
*
* Next, TCNTRE is compared to the literal 'Ontario' and
* 1 is added to CITYCNT.
*
C ' ' SCAN CITY C
C ADD 1 C
C SUBST CITY:C TCNTRE
C 'Ontario' IFEQ TCNTRE
C ADD 1 CITYCNT
C ENDIF
*
* In this example, CITY contains the same value, but the
* variable TCNTRE is not necessary since the %SUBST built-in
* function returns the appropriate value. In addition, the
* intermediary step of adding 1 to C is simplified since
* %SUBST accepts expressions as arguments.
*
C ' ' SCAN CITY C
C IF %SUBST(CITY:C+1) = 'Ontario'
C EVAL CITYCNT = CITYCNT+1
C ENDIF

```

Figure 150. Built-in Function Example

Note that the arguments used in this example (the variable CITY and the expression C+1) are analogous to the factor values for the SUBST operation. The return value of the function itself is analogous to the result. In general, the arguments of the built-in function are similar to the factor 1 and factor 2 fields of an operation code.

Another useful feature of built-in functions is that they can simplify maintenance of your code when used on the definition specification. The following example demonstrates this feature.

```

DName+++++ETDsFrom+++To/L+++IDc.Keywords+++++
*
* In this example, CUSTNAME is a field in the
* externally described data structure CUSTOMER.
* If the length of CUSTNAME is changed, the attributes of
* both TEMPNAME and NAMEARRAY would be changed merely by
* recompiling. The use of the %SIZE built-in function means
* no changes to your code would be necessary.
*
D CUSTOMER E DS
D DS
D TEMPNAME LIKE(CUSTNAME)
D NAMEARRAY 1 OVERLAY(TEMPNAME)
D DIM(%SIZE(TEMPNAME))

```

Figure 151. Simplified Maintenance with Built-in Functions

Built-in functions can be used in expressions on the extended factor 2 calculation specification and with keywords on the definition specification. When used with definition specification keywords, the value of the built-in function must be known at compile time and the argument cannot be an expression.

The following table lists the built-in functions, their arguments, and the value they return.

Table 47. Built-In Functions

| Name     | Arguments                                                                                                                  | Value Returned                                                                                                                                                                                                                                                                                      |
|----------|----------------------------------------------------------------------------------------------------------------------------|-----------------------------------------------------------------------------------------------------------------------------------------------------------------------------------------------------------------------------------------------------------------------------------------------------|
| %ABS     | numeric expression                                                                                                         | absolute value of expression                                                                                                                                                                                                                                                                        |
| %ADDR    | variable name                                                                                                              | address of variable                                                                                                                                                                                                                                                                                 |
| %ALLOC   | number of bytes to allocate                                                                                                | pointer to allocated storage                                                                                                                                                                                                                                                                        |
| %BITAND  | character, numeric                                                                                                         | bit wise ANDing of the bits of all the arguments                                                                                                                                                                                                                                                    |
| %BITNOT  | character, numeric                                                                                                         | bit-wise reverse of the bits of the argument                                                                                                                                                                                                                                                        |
| %BITOR   | character, numeric                                                                                                         | bit-wise ORing of the bits of all the arguments                                                                                                                                                                                                                                                     |
| %BITXOR  | character, numeric                                                                                                         | bit-wise exclusive ORing of the bits of the two arguments                                                                                                                                                                                                                                           |
| %CHAR    | graphic, UCS-2, numeric, date, time, or timestamp expression (: date, time, or timestamp format)                           | value in character format                                                                                                                                                                                                                                                                           |
| %CHECK   | comparator string:string to be checked{:start position}                                                                    | first position of a character that is not in the comparator string, or zero if not found                                                                                                                                                                                                            |
| %CHECKR  | comparator string:string to be checked{:start position}                                                                    | last position of a character that is not in the comparator string, or zero if not found                                                                                                                                                                                                             |
| %DATE    | {value [: date format]}                                                                                                    | the date that corresponds to the specified <i>value</i> , or the current system date if none is specified                                                                                                                                                                                           |
| %DAYS    | number of days                                                                                                             | number of days as a duration                                                                                                                                                                                                                                                                        |
| %DEC     | numeric expression {:digits:decpos}<br>character expression: digits:decpos<br>date, time or timestamp expression {:format} | value in packed numeric format                                                                                                                                                                                                                                                                      |
| %DECH    | numeric or character expression:<br>digits:decpos                                                                          | half-adjusted value in packed numeric format                                                                                                                                                                                                                                                        |
| %DECPOS  | numeric expression                                                                                                         | number of decimal digits                                                                                                                                                                                                                                                                            |
| %DIFF    | date or time expression: date or time expression:<br>unit                                                                  | difference between the two dates, times, or timestamps in the specified unit                                                                                                                                                                                                                        |
| %DIV     | dividend: divisor                                                                                                          | the quotient from the division of the two arguments                                                                                                                                                                                                                                                 |
| %EDITC   | non-float numeric expression:edit code<br>{:*CURSYM   *ASTFILL   currency symbol}                                          | string representing edited value                                                                                                                                                                                                                                                                    |
| %EDITFLT | numeric expression                                                                                                         | character external display representation of float                                                                                                                                                                                                                                                  |
| %EDITW   | non-float numeric expression:edit word                                                                                     | string representing edited value                                                                                                                                                                                                                                                                    |
| %ELEM    | array, table, or multiple occurrence data structure name                                                                   | number of elements or occurrences                                                                                                                                                                                                                                                                   |
| %EOF     | {file name}                                                                                                                | '1' if the most recent cycle input, read operation, or write to a subfile (for a particular file, if specified) ended in an end-of-file or beginning-of-file condition; and, when a file is specified, if a more recent OPEN, CHAIN, SETGT or SETLL to the file was not successful<br>'0' otherwise |
| %EQUAL   | {file name}                                                                                                                | '1' if the most recent SETLL (for a particular file, if specified) or LOOKUP operation found an exact match<br>'0' otherwise                                                                                                                                                                        |
| %ERROR   |                                                                                                                            | '1' if the most recent operation code with extender 'E' specified resulted in an error<br>'0' otherwise                                                                                                                                                                                             |
| %FIELDS  | list of fields to be updated                                                                                               | not applicable                                                                                                                                                                                                                                                                                      |
| %FLOAT   | numeric or character expression                                                                                            | value in float format                                                                                                                                                                                                                                                                               |

#

Table 47. Built-In Functions (continued)

| Name       | Arguments                                                                          | Value Returned                                                                                                                                                                                                                                                              |
|------------|------------------------------------------------------------------------------------|-----------------------------------------------------------------------------------------------------------------------------------------------------------------------------------------------------------------------------------------------------------------------------|
| %FOUND     | {file name}                                                                        | '1' if the most recent relevant operation (for a particular file, if specified) found a record (CHAIN, DELETE, SETGT, SETLL), an element (LOOKUP), or a match (CHECK, CHECKR, SCAN)<br>'0' otherwise                                                                        |
| %GRAPH     | character, graphic, or UCS-2 expression                                            | value in graphic format                                                                                                                                                                                                                                                     |
| %HANDLER   | handling procedure : communication area                                            | not applicable                                                                                                                                                                                                                                                              |
| %HOURS     | number of hours                                                                    | number of hours as a duration                                                                                                                                                                                                                                               |
| %INT       | numeric or character expression                                                    | value in integer format                                                                                                                                                                                                                                                     |
| %INTH      | numeric or character expression                                                    | half-adjusted value in integer format                                                                                                                                                                                                                                       |
| %KDS       | data structure containing keys<br>{: number of keys}                               | not applicable                                                                                                                                                                                                                                                              |
| %LEN       | any expression                                                                     | length in digits or characters                                                                                                                                                                                                                                              |
| %LOOKUPxx  | argument: array{:start index {:number of elements}}                                | array index of the matching element                                                                                                                                                                                                                                         |
| %MINUTES   | number of minutes                                                                  | number of minutes as a duration                                                                                                                                                                                                                                             |
| %MONTHS    | number of months                                                                   | number of months as a duration                                                                                                                                                                                                                                              |
| %MSECONDS  | number of microseconds                                                             | number of microseconds as a duration                                                                                                                                                                                                                                        |
| %NULLIND   | null-capable field name                                                            | value in indicator format representing the null indicator setting for the null-capable field                                                                                                                                                                                |
| %OCCUR     | multiple-occurrence data structure name                                            | current occurrence of the multiple-occurrence data structure                                                                                                                                                                                                                |
| %OPEN      | file name                                                                          | '1' if the specified file is open<br>'0' if the specified file is closed                                                                                                                                                                                                    |
| %PADDR     | procedure or prototype name                                                        | address of procedure or prototype                                                                                                                                                                                                                                           |
| %PARMS     | none                                                                               | number of parameters passed to procedure                                                                                                                                                                                                                                    |
| %REALLOC   | pointer: numeric expression                                                        | pointer to allocated storage                                                                                                                                                                                                                                                |
| %REM       | dividend: divisor                                                                  | the remainder from the division of the two arguments                                                                                                                                                                                                                        |
| %REPLACE   | replacement string: source string {:start position<br>{:source length to replace}} | string produced by inserting replacement string into source string, starting at start position and replacing the specified number of characters                                                                                                                             |
| %SCAN      | search argument:string to be searched{:start position}                             | first position of search argument in string or zero if not found                                                                                                                                                                                                            |
| %SECONDS   | number of seconds                                                                  | number of seconds as a duration                                                                                                                                                                                                                                             |
| %SHTDN     |                                                                                    | '1' if the system operator has requested shutdown<br>'0' otherwise                                                                                                                                                                                                          |
| %SIZE      | variable, array, or literal {:* ALL}                                               | size of variable or literal                                                                                                                                                                                                                                                 |
| %SQRT      | numeric value                                                                      | square root of the numeric value                                                                                                                                                                                                                                            |
| %STATUS    | {file name}                                                                        | 0 if no program or file error occurred since the most recent operation code with extender 'E' specified<br>most recent value set for any program or file status, if an error occurred<br>if a file is specified, the value returned is the most recent status for that file |
| %STR       | pointer{:maximum length}                                                           | characters addressed by pointer argument up to but not including the first x'00'                                                                                                                                                                                            |
| %SUBARR    | array name:start index{:number of elements}                                        | array subset                                                                                                                                                                                                                                                                |
| %SUBDT     | date or time expression: unit                                                      | an unsigned numeric value that contains the specified portion of the date or time value                                                                                                                                                                                     |
| %SUBST     | string:start{:length}                                                              | substring                                                                                                                                                                                                                                                                   |
| %THIS      |                                                                                    | the class instance for the native method                                                                                                                                                                                                                                    |
| %TIME      | {value {: time format}}                                                            | the time that corresponds to the specified <i>value</i> , or the current system time if none is specified                                                                                                                                                                   |
| %TIMESTAMP | {{value {: timestamp format}}}                                                     | the timestamp that corresponds to the specified <i>value</i> , or the current system timestamp if none is specified                                                                                                                                                         |
| %TLOOKUPxx | argument: search table {: alternate table}                                         | *ON' if there is a match<br>*OFF' otherwise                                                                                                                                                                                                                                 |

## Arithmetic Operations

Table 47. Built-In Functions (continued)

| Name   | Arguments                                                 | Value Returned                                                    |
|--------|-----------------------------------------------------------|-------------------------------------------------------------------|
| %TRIM  | string [: characters to trim]                             | string with left and right blanks or specified characters trimmed |
| %TRIML | string [: characters to trim]                             | string with left blanks or specified characters trimmed           |
| %TRIMR | string [: characters to trim]                             | string with right blanks or specified characters trimmed          |
| %UCS2  | character, graphic, or UCS-2 expression                   | value in UCS-2 format                                             |
| %UNS   | numeric or character expression                           | value in unsigned format                                          |
| %UNSH  | numeric or character expression                           | half-adjusted value in unsigned format                            |
| %XFOOT | array expression                                          | sum of the elements                                               |
| %XLATE | from-characters: to-characters: string [: start position] | the string with from-characters replaced by to-characters         |
| %XML   | xml document { : options }                                | not applicable                                                    |
| %YEARS | number of years                                           | number of years as a duration                                     |

## Arithmetic Operations

The arithmetic operations are shown in the following table.

Table 48. Arithmetic Operations

| Operation          | Traditional Syntax                                | Free-Form Syntax                                                      |
|--------------------|---------------------------------------------------|-----------------------------------------------------------------------|
| Absolute Value     | "%ABS (Absolute Value of Expression)" on page 455 |                                                                       |
| Add                | "ADD (Add)" on page 565                           | + operator                                                            |
| Divide             | "DIV (Divide)" on page 613                        | / operator or "%DIV (Return Integer Portion of Quotient)" on page 482 |
| Division Remainder | "MVR (Move Remainder)" on page 708                | "%REM (Return Integer Remainder)" on page 524                         |
| Multiply           | "MULT (Multiply)" on page 707                     | * operator                                                            |
| Square Root        | "SQRT (Square Root)" on page 772                  | "%SQRT (Square Root of Expression)" on page 533                       |
| Subtract           | "SUB (Subtract)" on page 773                      | - operator                                                            |
| Zero and Add       | "Z-ADD (Zero and Add)" on page 850                | (not allowed)                                                         |
| Zero and Subtract  | "Z-SUB (Zero and Subtract)" on page 851           | (not allowed)                                                         |

For examples of arithmetic operations, see Figure 152 on page 401.

Remember the following when specifying arithmetic operations:

- Arithmetic operations can be done only on numerics (including numeric subfields, numeric arrays, numeric array elements, numeric table elements, numeric named constants, numeric figurative constants, and numeric literals).
- In general, arithmetic operations are performed using the packed-decimal format. This means that the fields are first converted to packed-decimal format prior to performing the arithmetic operation, and then converted back to their specified format (if necessary) prior to placing the result in the result field. However, note the following exceptions:
  - If all operands are unsigned, the operation will use unsigned arithmetic.
  - If all are integer, or integer and unsigned, then the operation will use integer arithmetic.
  - If any operands are float, then the remaining operands are converted to float.

However, the DIV operation uses either the packed-decimal or float format for its operations. For more information on integer and unsigned arithmetic, see “Integer and Unsigned Arithmetic.”

- Decimal alignment is done for all arithmetic operations. Even though truncation can occur, the position of the decimal point in the result field is not affected.
- The result of an arithmetic operation replaces the data that was in the result field.
- An arithmetic operation does not change factor 1 and factor 2 unless they are the same as the result field.
- If you use conditioning indicators with DIV and MVR, it is your responsibility to ensure that the DIV operation occurs immediately before the MVR operation. If conditioning indicators on DIV cause the MVR operation to be executed when the immediately preceding DIV was not executed, then undesirable results may occur.
- For information on using arrays with arithmetic operations, see “Specifying an Array in Calculations” on page 162.

### Ensuring Accuracy

#  
#  
#

- The length of any field specified in an arithmetic operation cannot exceed 63 digits. If the result exceeds 63 digits, digits are dropped from either or both ends, depending on the location of the decimal point.
- The TRUNCNBR option (as a command parameter or as a keyword on a control specification) determines whether truncation on the left occurs with numeric overflow or a runtime error is generated. Note that TRUNCNBR does not apply to calculations performed within expressions. If any overflow occurs within expressions calculations, a run-time message is issued. In addition, TRUNCNBR does not apply to arithmetic operations performed in integer or unsigned format.
- Half-adjusting is done by adding 5 (-5 if the field is negative) one position to the right of the last specified decimal position in the result field. The half adjust entry is allowed only with arithmetic operations, but not with an MVR operation or with a DIV operation followed by the MVR operation. Half adjust only affects the result if the number of decimal positions in the calculated result is greater than the number of decimal positions in the result field. Half adjusting occurs after the operation but before the result is placed in the result field. Resulting indicators are set according to the value of the result field after half-adjusting has been done. Half adjust is not allowed if the result field is float.

### Performance Considerations

The fastest performance time for arithmetic operations occurs when all operands are in integer or unsigned format. The next fastest performance time occurs when all operands are in packed format, since this eliminates conversions to a common format.

### Integer and Unsigned Arithmetic

For all arithmetic operations (not including those in expressions) if factor 1, factor 2, and the result field are defined with unsigned format, then the operation is performed using unsigned format. Similarly, if factor 1, factor 2, and the result field are defined as either integer or unsigned format, then the operation is performed using integer format. If any field does not have either integer or unsigned format, then the operation is performed using the default format, packed-decimal.

## Arithmetic Operations

The following points apply to integer and unsigned arithmetic operations only:

- All integer and unsigned operations are performed in 8-byte form.
- Integer and unsigned values may be used together in one operation. However, if either factor 1, factor 2, or the result field is integer, then all unsigned values are converted to integer. If necessary, a 1-byte, 2-byte, or 4-byte unsigned value is converted to a larger-sized integer value to lessen the chance of numeric overflow.
- If a literal has 20 digits or less with zero decimal positions, and falls within the range allowed for integer and unsigned fields, then it is loaded in integer or unsigned format, depending on whether it is a negative or positive value respectively.

**Note:** Integer or unsigned arithmetic may give better performance. However, the chances of numeric overflow may be greater when using integer or unsigned numeric format, than when using packed or zoned decimal format.

## Arithmetic Operations Examples

```

*.1....+....2....+....3....+....4....+....5....+....6....+....7....+....
C*
C* In the following example, the initial field values are:
C*
D A s 3p 0 inz(1)
D B s 3p 1 inz(10.0)
D C s 2p 0 inz(32)
D D s 2p 0 inz(-10)
D E s 3p 0 inz(6)
D F s 3p 0 inz(10)
D G s 3p 2 inz(2.77)
D H s 3p 0 inz(70)
D J s 3p 1 inz(0.6)
D K s 2p 0 inz(25)
D L s 2p 1 dim(3)
D V s 5p 2
D W s 5p 1
D X s 8p 4
D Y s 6p 2
D Z s 5p 3

/FREE
 L(1) = 1.0;
 L(2) = 1.7;
 L(3) = -1.1;

 A = A + 1; // A = 002
 V = B + C; // V = 042.00
 V = B + D; // V = 0
 V = C; // V = 032.00
 E = E - 1; // E = 005
 W = C - B; // W = 0022.0
 W = C - D; // W = 0042.0
 W = - C; // W = -0032.0
 F = F * E; // F = 060
 X = B * G; // X = 0027.7000
 X = B * D; // X = -0100.0000
 H = H / B; // H = 007
 Y = C / J; // Y = 0053.33
 eval(r) Z = %sqrt(K); // Z = 05.000
 Z = %xfoot(L); // Z = 01.600

 dump(a);
 *inlr = *on;
/END-FREE

```

Figure 152. Arithmetic Operations in Free-form Calculations

## Array Operations

```
*...1....+....2....+....3....+....4....+....5....+....6....+....7...
CLON01Factor1+++++Opcode(E)+Factor2+++++Result+++++Len++D+HiLoEq....Comments
C*
C* In the following example, the initial field values are:
C*
C* A = 1
C* B = 10.0
C* C = 32
C* D = -20
C* E = 6
C* F = 10.0
C* G = 2.77
C* H = 70
C* J = .6
C* K = 25
C* L = 1.0, 1.7, -1.1
C*
C* Result:
C
C ADD 1 A 3 0 A = 002
C B ADD C V 5 2 V = 042.00
C B ADD D V V = -10.00
C Z-ADD C V V = 032.00
C SUB 1 E 3 0 E = 005
C C SUB B W 5 1 W = 0022.0
C C SUB D W W = 0052.0
C Z-SUB C W W = -0032.0
C MULT E F 3 0 F = 060
C B MULT G X 8 4 X = 0027.7000
C B MULT D X X = -0200.0000
C DIV B H 3 0 H = 007
C C DIV J Y 6 2 Y = 0053.33
C MVR Z 5 3 Z = 00.002
C SQRT K Z Z = 05.000
C XFOOT L Z Z = 01.600
```

Figure 153. Arithmetic Operations in Fixed-form Calculations

## Array Operations

The array operations are shown in the following table.

Table 49. Array Operations

| Operation                    | Traditional Syntax                                      | Free-Form Syntax                                                                                         |
|------------------------------|---------------------------------------------------------|----------------------------------------------------------------------------------------------------------|
| Look Up Elements             | "LOOKUP (Look Up a Table or Array Element)" on page 667 | "%LOOKUPxx (Look Up an Array Element)" on page 511 or "%TLOOKUPxx (Look Up a Table Element)" on page 548 |
| Number of Elements           | "%ELEM (Get Number of Elements)" on page 488            |                                                                                                          |
| Move an Array                | "MOVEA (Move Array)" on page 690                        | (not allowed)                                                                                            |
| Sort an Array                | "SORTA (Sort an Array)" on page 770                     |                                                                                                          |
| # Subset an Array            | "%SUBARR (Set/Get Portion of an Array)" on page 539     |                                                                                                          |
| Sum the Elements of an Array | "XFOOT (Summing the Elements of an Array)" on page 801  | "%XFOOT (Sum Array Expression Elements)" on page 557                                                     |

While many operations work with arrays, these operations perform specific array functions. See each operation for an explanation of its function.



## Bit Operations

The bit operations are:

- “%BITAND (Bitwise AND Operation)” on page 459
- “%BITNOT (Invert Bits)” on page 460
- “%BITOR (Bitwise OR Operation)” on page 461
- “%BITXOR (Bitwise Exclusive-OR Operation)” on page 462
- “BITOFF (Set Bits Off)” on page 571
- “BITON (Set Bits On)” on page 573
- “TESTB (Test Bit)” on page 783.

Table 50. Bit Operations

| Operation    | Traditional Syntax | Free-Form Syntax                                |
|--------------|--------------------|-------------------------------------------------|
| Set bits on  | BITON              | %BITOR                                          |
| Set bits off | BITOFF             | %BITAND with %BITNOT                            |
| Test bits    | TESTB              | %BITAND (see example of Figure 174 on page 463) |

The BITOFF and BITON operations allow you to turn off and on specific bits in a field specified in the result field. The result field must be a one-position character field.

The TESTB operation compares the bits identified in factor 2 with the corresponding bits in the field named as the result field.

The bits in a byte are numbered from left to right. The left most bit is bit number 0. In these operations, factor 2 specifies the bit pattern (bit numbers) and the result field specifies a one-byte character field on which the operation is performed. To specify the bit numbers in factor 2, a 1-byte hexadecimal literal or a 1-byte character field is allowed. The bit numbers are indicated by the bits that are turned on in the literal or the field. Alternatively, a character literal which contains the bit numbers can also be specified in factor 2.

With the BITAND operation the result bit is ON when all of the corresponding bits in the arguments are ON, and OFF otherwise.

With the BITNOT operation the result bit is ON when the corresponding bit in the argument is OFF, and OFF otherwise.

With the BITOR operation the result bit is ON when any of the corresponding bits in the arguments are ON, and OFF otherwise.

With the BITXOR operation the result bit is ON when just one of the corresponding bits in the arguments are ON, and OFF otherwise.

## Branching Operations

The branching operations are shown in the following table.

Table 51. Branching Operations

| Operation          | Traditional Syntax                       | Free-Form Syntax |
|--------------------|------------------------------------------|------------------|
| Compare and Branch | “CABxx (Compare and Branch)” on page 575 | (not allowed)    |

## Branching Operations

Table 51. Branching Operations (continued)

| Operation          | Traditional Syntax                         | Free-Form Syntax |
|--------------------|--------------------------------------------|------------------|
| Go To              | "GOTO (Go To)" on page 652                 | (not allowed)    |
| Iterate            | "ITER (Iterate)" on page 659               |                  |
| Leave              | "LEAVE (Leave a Do/For Group)" on page 664 |                  |
| Leave a subroutine | "LEAVESR (Leave a Subroutine)" on page 666 |                  |
| Tag                | "TAG (Tag)" on page 780                    | (not allowed)    |

The GOTO operation (when used with a TAG operation) allows branching. When a GOTO operation occurs, the program branches to the specified label. The label can be specified before or after the GOTO operation. The label is specified by the TAG or ENDSR operation.

The TAG operation names the label that identifies the destination of a GOTO or CABxx operation.

The ITER operation transfers control from within a DO-group to the ENDDO statement of the DO-group.

The LEAVE operation is similar to the ITER operation; however, LEAVE transfers control to the statement *following* the ENDDO operation.

The LEAVESR operation causes control to pass to the ENDSR operation of a subroutine.

See each operation for an explanation of its function.

---

## Call Operations

The call operations are shown in the following table.

Table 52. Call Operations

| Operation                 | Traditional Syntax                                                                                                                                                                                                | Free-Form Syntax                                             |
|---------------------------|-------------------------------------------------------------------------------------------------------------------------------------------------------------------------------------------------------------------|--------------------------------------------------------------|
| Call Program or Procedure | <ul style="list-style-type: none"> <li>"CALL (Call a Program)" on page 577</li> <li>"CALLB (Call a Bound Procedure)" on page 578</li> <li>"CALLP (Call a Prototyped Procedure or Program)" on page 579</li> </ul> | "CALLP (Call a Prototyped Procedure or Program)" on page 579 |
| Identify Parameters       | <ul style="list-style-type: none"> <li>"PARM (Identify Parameters)" on page 721</li> <li>"PLIST (Identify a Parameter List)" on page 724</li> </ul>                                                               | PI or PR definition specification                            |
| Number of Parameters      | "%PARMS (Return Number of Parameters)" on page 521                                                                                                                                                                |                                                              |
| Return                    | "RETURN (Return to Caller)" on page 750                                                                                                                                                                           |                                                              |

CALLP is one type of prototyped call. The second type is a call from within an expression. A **prototyped call** is a call for which there is a prototype defined for the call interface.

Call operations allow an RPG IV procedure to transfer control to other programs or procedures. However, prototyped calls differ from the CALL and CALLB operations in that they allow free-form syntax.

The RETURN operation transfers control back to the calling program or procedure and returns a value, if any. The PLIST and PARM operations can be used with the CALL and CALLB operations to indicate which parameters should be passed on the call. With a prototyped call, you pass the parameters on the call.

The recommended way to call a program or procedure (written in any language) is to code a prototyped call.

## Prototyped Calls

With a prototyped call, you can call (with the same syntax):

- Programs that are on the system at run time
- Exported procedures in other modules or service programs that are bound in the same program or service program
- Subprocedures in the same module

A prototype must be included in the definition specifications of the program or procedure making the call. It is used by the compiler to call the program or procedure correctly, and to ensure that the caller passes the correct parameters.

When a program or procedure is prototyped, you do not need to know the names of the data items used in the program or procedure; only the number and type of parameters.

Prototypes improve the communication between programs or procedures. Some advantages of using prototyped calls are:

- The syntax is simplified because no PARM or PLIST operations are required.
- For some parameters, you can pass literals and expressions.
- When calling procedures, you do not have to remember whether operational descriptors are required.
- The compiler helps you pass enough parameters, of the the correct type, format and length, by giving an error at compile time if the call is not correct.
- The compiler helps you pass parameters with the correct format and length for some types of parameters, by doing a conversion at run time.

Figure 154 shows an example using the prototype ProcName, passing three parameters. The prototype ProcName could refer to either a program or a procedure. It is not important to know this when making the call; this is only important when defining the prototype.

```

/FREE
// The following calls ProcName with the 3
// parameters CharField, 7, and Field2:
 ProcName (CharField: 7: Field2);

// If you need to specify operation extenders, you must also
// specify the CALLP operation code:
 CALLP(e) ProcName (CharField: 7: Field2);
/END-FREE

```

Figure 154. Sample of CALLP operation

When calling a procedure in an expression, you should use the procedure name in a manner consistent with the data type of the specified return value. For example,

## Call Operations

if a procedure is defined to return a numeric, then the call to the procedure within an expression must be where a numeric would be expected.

For more information on calling programs and procedures, and passing parameters, see the appropriate chapter in the *WebSphere Development Studio: ILE RPG Programmer's Guide*. For more information on defining prototypes and parameters, see "Prototypes and Parameters" on page 145.

## Operational Descriptors

Sometimes it is necessary to pass a parameter to a procedure even though the data type is not precisely known to the called procedure, (for example, different types of strings). In these instances you can use operational descriptors to provide descriptive information to the called procedure regarding the form of the parameter. The additional information allows the procedure to properly interpret the string. You should only use operational descriptors when they are expected by the called procedure.

You can request operational descriptors for both prototyped and non-prototyped parameters. For prototyped calls, you specify the keyword OPDESC on the prototype definition. For non-prototyped parameters, you specify (D) as the operation code extender of the CALLB operation. In either case, operational descriptors are then built by the calling procedure and passed as hidden parameters to the called procedure.

## Parsing Program Names on a Call

Program names are specified in factor 2 of a CALL operation or as the parameter of the EXTPGM keyword on a prototype. If you specify the library name, it must be immediately followed by a slash and then the program name (for example, 'LIB/PROG'). If a library is not specified, the library list is used to find the program. \*CURLIB is not supported.

Note the following rules:

- The total length of a literal, including the slash, cannot exceed 12 characters.
- The total length of the non-blank data in a field or named constant, including the slash, cannot exceed 21 characters.
- If either the program or the library name exceeds 10 characters, it is truncated to 10 characters.

The program name is used exactly as specified in the literal, field, named constant, or array element to determine the program to be called. Specifically:

- Any leading or trailing blanks are ignored.
- If the first character in the entry is a slash, the library list is used to find the program.
- If the last character in the entry is a slash, a compile-time message will be issued.
- Lowercase characters are not shifted to uppercase.
- A name enclosed in quotation marks, for example, "ABC", always includes the quotation marks as part of the name of the program to be called.)

Program references are grouped to avoid the overhead of resolving to the target program. All references to a specific program using a named constant or literal are

grouped so that the program is resolved to only once, and all subsequent references to that program (by way of named constant or literal only) do not cause a resolve to recur.

The program references are grouped if both the program and the library name are identical. All program references by variable name are grouped by the variable name. When a program reference is made with a variable, its current value is compared to the value used on the previous program reference operation that used that variable. If the value did not change, no resolve is done. If it did change, a resolve is done to the new program specified. Note that this rule applies only to references using a variable name. References using a named constant or literal are never re-resolved, and they do not affect whether or not a program reference by variable is re-resolved. Figure 155 illustrates the grouping of program references.

### Program CALL Example

```

*...1....+....2....+....3....+....4....+....5....+....6....+....7....+....
DName+++++ETDsFrom+++To/L+++IDc.Keywords+++++
D Pgm_Ex_A C 'LIB1/PGM1'
D Pgm_Ex_B C 'PGM1'
D PGM_Ex_C C 'LIB/PGM2'
*
*...1....+....2....+....3....+....4....+....5....+....6....+....7....+....
CL0N01Factor1+++++Opcode(E)+Factor2+++++Result+++++Len++D+HiLoEq....
*
C CALL Pgm_Ex_A
*
* The following two calls will be grouped together because both
* have the same program name (PGM1) and the same library name
* (none). Note that these will not be grouped with the call using
* Pgm_Ex_A above because Pgm_Ex_A has a different library
* name specified (LIB1).
*
C CALL 'PGM1'
C CALL Pgm_Ex_B
*
* The following two program references will be grouped together
* because both have the same program name (PGM2) and the same
* library name (LIB).
*
C CALL 'LIB/PGM2'
C CALL Pgm_Ex_C
*
*...1....+....2....+....3....+....4....+....5....+....6....+....7....+....
CL0N01Factor1+++++Opcode(E)+Factor2+++++Result+++++Len++D+HiLoEq....
*
* The first call in the program using CALLV below will result in
* a resolve being done for the variable CALLV to the program PGM1.
* This is independent of any calls by a literal or named constant
* to PGM1 that may have already been done in the program. The
* second call using CALLV will not result in a resolve to PGM1
* because the value of CALLV has not changed.
*
C MOVE 'PGM1' CALLV 21
C CALL CALLV
C CALL CALLV

```

Figure 155. Example of Grouping of Program References

## Parsing System Built-In Names

When the literal or named constant specified on a bound call starts with "CEE" or an underscore ('\_'), the compiler will treat this as a system built-in. (A bound call results with either CALLB or with a prototyped call where EXTPGM is *not* specified on the prototype).

If it is not actually a system built-in, then a warning will appear in the listing; you can ignore this warning.

For more information on APIs, see the iSeries Information Center programming category. To avoid confusion with system provided APIs, you should not name your procedures starting with "CEE".

## Value of \*ROUTINE

When a call fails, the contents of the \*ROUTINE subfield of the program status data structure (PSDS) is updated with the following:

- On an external call, the name of the called program (that is, for CALL or CALLP to a program).
- On a bound static call, the name of the called procedure.
- On a bound procedure pointer call, \*N.

Note that since the size of this subfield is only 8 bytes long, the name may be truncated.

---

## Compare Operations

The compare operations are shown in the following table.

Table 53. Compare Operations

| Operation              | Traditional Syntax                                                                         | Free-Form Syntax                                                 |
|------------------------|--------------------------------------------------------------------------------------------|------------------------------------------------------------------|
| And                    | "ANDxx (And)" on page 569                                                                  | AND operator                                                     |
| Compare                | "COMP (Compare)" on page 604                                                               | =, <, >, <=, >=, or <> operator                                  |
| Compare and Branch     | "CABxx (Compare and Branch)" on page 575                                                   | (not allowed)                                                    |
| Conditional Subroutine | "CASxx (Conditionally Invoke Subroutine)" on page 584                                      | "IF (If)" on page 654 and "EXSR (Invoke Subroutine)" on page 644 |
| Do Until               | "DOU (Do Until)" on page 616 or "DOUxx (Do Until)" on page 617                             | "DOU (Do Until)" on page 616                                     |
| Do While               | "DOW (Do While)" on page 619 or "DOWxx (Do While)" on page 620                             | "DOW (Do While)" on page 619                                     |
| If                     | "IF (If)" on page 654 or "IFxx (If)" on page 655                                           | "IF (If)" on page 654                                            |
| Or                     | "ORxx (Or)" on page 717                                                                    | OR operator                                                      |
| When                   | "WHEN (When True Then Select)" on page 795 or "WHENxx (When True Then Select)" on page 796 | "WHEN (When True Then Select)" on page 795                       |

In the ANDxx, CABxx, CASxx, DOUxx, DOWxx, IFxx, ORxx, and WHENxx operations, xx can be:

xx     **Meaning**

GT     Factor 1 is greater than factor 2.

- LT** Factor 1 is less than factor 2.
- EQ** Factor 1 is equal to factor 2.
- NE** Factor 1 is not equal to factor 2.
- GE** Factor 1 is greater than or equal to factor 2.
- LE** Factor 1 is less than or equal to factor 2.

### Blanks

Unconditional processing (CASxx or CABxx).

The compare operations test fields for the conditions specified in the operations. These operations do not change the values of the fields. For COMP, CABXX, and CASXX, the resulting indicators assigned in positions 71 and 76 are set according to the results of the operation. All data types may be compared to fields of the same data type.

Remember the following when using the compare operations:

- If numeric fields are compared, fields of unequal length are aligned at the implied decimal point. The fields are filled with zeros to the left and/or right of the decimal point making the field lengths and number of decimal positions equal for comparison.
- All numeric comparisons are algebraic. A plus (+) value is always greater than a minus (-) value.
- Blanks within zoned numeric fields are assumed to be zeros, if the FIXNBR(\*ZONED) control specification keyword or command parameter is used in the compilation of the program.
- If character, graphic, or UCS-2 fields are compared, fields of unequal length are aligned to their leftmost character. The shorter field is filled with blanks to equal the length of the longer field so that the field lengths are equal for comparison.
- Date fields are converted to a common format when being compared.
- Time fields are converted to a common format when being compared.
- An array name cannot be specified in a compare operation, but an array element may be specified.
- The ANDxx and ORxx operations can be used following DOUxx, DOWxx, IFxx, and WHENxx.
- When comparing a character, graphic, or UCS-2 literal with zero length to a field (fixed or varying) containing blanks, the fields will compare equal. If you want to test that a value is of length 0, use the %LEN built-in function. See Figure 49 on page 125 for examples.

## Compare Operations

### Attention!

Note the following points, especially if you want to avoid unpredictable results.

- All graphic and UCS-2 comparisons are done using the hexadecimal representation of the data. The alternate sequence is not used.
- If an alternate collating sequence (using the “ALTSEQ{(\*NONE | \*SRC | \*EXT)}” on page 247 keyword on the Control specification) has been specified for the comparison of character fields, the comparands are converted to the alternate sequence and then compared. If \*HIVAL or \*LOVAL is used in the comparison, the alternate collating sequence may alter the value before the compare operation. Note that if either comparand is defined with the ALTSEQ(\*NONE) keyword on the definition specification, the alternate collating sequence is not used.
- When comparing a basing pointer to \*NULL (or to a basing pointer with value \*NULL), the only comparisons that produce predictable results are for equality and inequality.
- Comparing pointers for less-than or greater-than produces predictable results only when the pointers point to addresses in contiguous storage. For example, all pointers are set to addresses in one \*USRSPC, or all pointers are set to the addresses of array elements in one array.
- When procedure pointer fields are compared for anything except equality or inequality, the results will be unpredictable.
- Because of the way float values are stored, they should not be compared for equality or inequality. Instead, the absolute value of the difference between the two values should be compared with a very small value.

## Conversion Operations

The following built-in functions perform conversion operations:

- “%CHAR (Convert to Character Data)” on page 466
- “%DEC (Convert to Packed Decimal Format)” on page 474
- “%DECH (Convert to Packed Decimal Format with Half Adjust)” on page 476
- “%EDITC (Edit Value Using an Editcode)” on page 483
- “%EDITFLT (Convert to Float External Representation)” on page 486
- “%EDITW (Edit Value Using an Editword)” on page 487
- “%FLOAT (Convert to Floating Format)” on page 495
- “%GRAPH (Convert to Graphic Value)” on page 498
- “%INT (Convert to Integer Format)” on page 505
- “%INTH (Convert to Integer Format with Half Adjust)” on page 505
- “%UCS2 (Convert to UCS-2 Value)” on page 554
- “%UNS (Convert to Unsigned Format)” on page 555
- “%UNSH (Convert to Unsigned Format with Half Adjust)” on page 555

These built-in functions are available in both the traditional syntax and free-form syntax.

The traditional MOVE and MOVEL operation codes perform conversions when factor 2 and the result field have different types. See:



- “MOVE (Move)” on page 676
- “MOVEL (Move Left)” on page 697

---

## Data-Area Operations

The data-area operations are:

- “IN (Retrieve a Data Area)” on page 657
- “OUT (Write a Data Area)” on page 720
- “UNLOCK (Unlock a Data Area or Release a Record)” on page 791.

These operations are available in both the traditional syntax and free-form syntax.

The IN and OUT operations allow you to retrieve and write one or all data areas in a program, depending on the factor 2 entry.

The IN and OUT operations also allow you to control the locking or unlocking of a data area. When a data area is locked, it can be read but not updated by other programs or procedures.

The following lock states are used:

- For an IN operation with \*LOCK specified, an exclusive allow read lock state is placed on the data area.
- For an OUT operation with \*LOCK the data area remains locked after the write operation
- For an OUT operation with blank the data area is unlocked after it is updated
- UNLOCK is used to unlock data areas and release record locks, the data areas and/or records are not updated.

During the actual transfer of data into or out of a data area, there is a system-internal lock on the data area. If several users are contending for the same data area, a user may get an error message indicating that the data area is not available.

Remember the following when using the IN, OUT, and UNLOCK operations:

- A data-area operation cannot be done on a data area that is not defined to the operating system.
- Before the IN, OUT, and UNLOCK operations can be done on a data area, you must specify the DTAARA keyword on the definition specification for the data area, or specify the data area in the result field of an \*DTAARA DEFINE statement. (For further information on the DEFINE statement, see “DEFINE (Field Definition)” on page 607.)
- A locked data area cannot be updated or locked by another RPG program; however, the data area can be retrieved by an IN operation with factor 1 blank.
- A data-area name cannot be the name of a multiple-occurrence data structure, an input record field, an array, an array element, or a table.
- A data area cannot be the subfield of a multiple occurrence data structure, a data-area data structure, a program-status data structure, a file-information data structure (INFDS), or a data structure that appears on an \*DTAARA DEFINE statement.
- If the name of the data area is determined at runtime, due to the DTAARA(\*VAR) keyword being used, the variable containing the name must be set before an IN operation. If a data area is locked because of a prior \*LOCK IN

## Data-Area Operations

operation, any other operations (IN, OUT, UNLOCK) for the data area will use the previously locked data area, and the variable containing the name will not be consulted.

- #
- #
- If the library name is not specified by the DTAARA keyword, the library list will be used to locate the data area.

A data structure defined with a U in position 23 of the definition specifications indicates that the data structure is a data area. You may specify the DTAARA keyword for a data area data structure, if specified you can use the IN, OUT and UNLOCK operation codes to specify further operations for the data area. The data area is automatically read and locked at program initialization time, and the contents of the data structure are written to the data area when the program ends with LR on. If the data area for a data area data structure is not found, it will be created with an initial value of blanks. If the library list was searched for the data area, the new data area will be created in QTEMP.

To define the local data area (\*LDA) you can do one of the following:

- Specify the DTAARA(\*LDA) keyword on the definition specification for the data area.
- Specify UDS on the definition specification for the data area and leave the name blank.
- Specify \*LDA in factor 2 of a \*DTAARA DEFINE statement.

To define the \*PDA you may specify the DTAARA(\*PDA) keyword on the definition specification for the data area, or specify \*PDA in factor 2 of a \*DTAARA DEFINE statement.

---

## Date Operations

The date operations are shown in the following table.

*Table 54. Date Operations*

| Operation                                     | Traditional Syntax                                          | Free-Form Syntax                                                                           |
|-----------------------------------------------|-------------------------------------------------------------|--------------------------------------------------------------------------------------------|
| Add Duration                                  | "ADDUR (Add Duration)" on page 566                          | + operator                                                                                 |
| Extract                                       | "EXTRCT (Extract Date/Time/Timestamp)" on page 645          | "%SUBDT (Extract a Portion of a Date, Time, or Timestamp)" on page 542                     |
| Subtract Duration                             | "SUBDUR (Subtract Duration)" on page 774                    | - operator or "%DIFF (Difference Between Two Date, Time, or Timestamp Values)" on page 479 |
| # Convert date/time/timestamp to character    | "MOVE (Move)" on page 676 or "MOVE (Move Left)" on page 697 | "%CHAR (Convert to Character Data)" on page 466                                            |
| # Convert date/time/timestamp to numeric      | "MOVE (Move)" on page 676 or "MOVE (Move Left)" on page 697 | "%DEC (Convert to Packed Decimal Format)" on page 474                                      |
| # Convert character/numeric to date           | "MOVE (Move)" on page 676 or "MOVE (Move Left)" on page 697 | "%DATE (Convert to Date)" on page 472                                                      |
| # Convert character/numeric to time           | "MOVE (Move)" on page 676 or "MOVE (Move Left)" on page 697 | "%TIME (Convert to Time)" on page 546                                                      |
| # Convert character/numeric/date to timestamp | "MOVE (Move)" on page 676 or "MOVE (Move Left)" on page 697 | "%TIMESTAMP (Convert to Timestamp)" on page 547                                            |

Table 54. Date Operations (continued)

| Operation                          | Traditional Syntax                                           | Free-Form Syntax |
|------------------------------------|--------------------------------------------------------------|------------------|
| # Move date/time to<br># timestamp | “MOVE (Move)” on page 676 or “MOVEL (Move Left)” on page 697 | date + time      |
| Test                               | “TEST (Test Date/Time/Timestamp)” on page 781                |                  |
| Number of Years                    | “%YEARS (Number of Years)” on page 561                       |                  |
| Number of Months                   | “%MONTHS (Number of Months)” on page 514                     |                  |
| Number of Days                     | “%DAYS (Number of Days)” on page 473                         |                  |
| Number of Hours                    | “%HOURS (Number of Hours)” on page 504                       |                  |
| Number of Minutes                  | “%MINUTES (Number of Minutes)” on page 513                   |                  |
| Number of Seconds                  | “%SECONDS (Number of Seconds)” on page 529                   |                  |
| Number of Microseconds             | “%MSECONDS (Number of Microseconds)” on page 515             |                  |

Date operations allow you to work with dates, times, and timestamp fields and character or numeric fields that represent dates, times, and timestamps. You can:

- Add or subtract a duration in years, months, days, hours, minutes, seconds, or microseconds
- Determine the duration between two dates, times, or timestamps
- Extract a portion of a date, time, or timestamp (for example, the day)
- Test that a value is valid as a date, time, or timestamp.

To add or subtract a duration, you can use the + or - operator in free-form syntax or the ADDDUR or SUBDUR operation code in traditional syntax. The following table shows the built-in functions that you use in free-form syntax and the duration codes that you use in traditional syntax.

Table 55. Built-In Functions and Duration Codes

| Unit        | Built-In Function | Duration Code    |
|-------------|-------------------|------------------|
| Year        | %YEARS            | *YEARS or *Y     |
| Month       | %MONTHS           | *MONTHS or *M    |
| Day         | %DAYS             | *DAYS or *D      |
| Hour        | %HOURS            | *HOURS or *H     |
| Minute      | %MINUTES          | *MINUTES or *MN  |
| Second      | %SECONDS          | *SECONDS or *S   |
| Microsecond | %MSECONDS         | *MSECONDS or *MS |

For example, you can add 23 days to an existing date in either of the following ways:

```

C ADDDUR 23:*D DUEDATE

/FREE
 newdate = duedate + %DAYS(23)
/END-FREE

```

To calculate the duration between two dates, times, or timestamps, you can use the %DIFF built-in function in free-form syntax or the SUBDUR operation code in traditional syntax. In either case, you must specify one of the duration codes shown in Table 55.

## Date Operations

The duration is given in complete units, with any remainder discarded. A duration of 59 minutes, expressed in hours, is 0. A duration of 61 minutes, expressed in hours, is 1.

The following table shows additional examples, using the SUBDUR operation code. The %DIFF built-in function would give the same results.

Table 56. Resulting Durations Using SUBDUR

| Duration Unit | Factor 1                   | Factor 2                   | Result    |
|---------------|----------------------------|----------------------------|-----------|
| Months        | 1999-03-28                 | 1999-02-28                 | 1 month   |
|               | 1999-03-14                 | 1998-03-15                 | 11 months |
|               | 1999-03-15                 | 1998-03-15                 | 12 months |
| Years         | 1999-03-14                 | 1998-03-15                 | 0 years   |
|               | 1999-03-15                 | 1998-03-15                 | 1 year    |
|               | 1999-03-14-12.34.45.123456 | 1998-03-14-12.34.45.123457 | 0 years   |
| Hours         | 1990-03-14-23.00.00.000000 | 1990-03-14-22.00.00.000001 | 0 hours   |

## Unexpected Results

A month can contain 28, 29, 30, or 31 days. A year can contain 365 or 366 days. Because of this inconsistency, the following operations can give unexpected results:

- Adding or subtracting a number of months (or calculating a duration in months) with a date that is on the 29th, 30th, or 31st of a month
- Adding or subtracting a number of years (or calculating a duration in years) with a February 29 date.

The following rules are used:

- When months or years are added or subtracted, the day portion remains unchanged if possible. For example, 2000-03-15 + %MONTHS(1) is 2000-04-15.
- If the addition or subtraction would produce a nonexistent date (for example, April 31), the last day of the month is used instead.
- Any month or year operation that changes the day portion is **not** reversible. For example, 2000-03-31 + %MONTHS(1) is 2000-04-30 changes the day from 31 to 30. You cannot get back the original 2000-03-31 by subtracting one month. The operation 2000-03-31 + %MONTHS(1) - %MONTHS(1) becomes 2000-03-30.
- The duration between two dates is one month if the later date minus one month gives the first date. For example, the duration in months (rounded down) between 2000-03-31 and 2000-04-30 is 0 because 2000-04-30 - %MONTHS(1) is 2000-03-30 (not 2000-03-31).

---

## Declarative Operations

The declarative operations are shown in the following table.

Table 57. Declarative Operations

| Operation    | Traditional Syntax                      | Free-Form Syntax                                   |
|--------------|-----------------------------------------|----------------------------------------------------|
| Define Field | "DEFINE (Field Definition)" on page 607 | LIKE or DTAARA keyword on definition specification |

Table 57. Declarative Operations (continued)

| Operation           | Traditional Syntax                                                                                                                                      | Free-Form Syntax            |
|---------------------|---------------------------------------------------------------------------------------------------------------------------------------------------------|-----------------------------|
| Define Key          | <ul style="list-style-type: none"> <li>• “KFLD (Define Parts of a Key)” on page 661</li> <li>• “KLIST (Define a Composite Key)” on page 662</li> </ul>  | (not allowed)               |
| Identify Parameters | <ul style="list-style-type: none"> <li>• “PARM (Identify Parameters)” on page 721</li> <li>• “PLIST (Identify a Parameter List)” on page 724</li> </ul> | PR definition specification |
| Tag                 | “TAG (Tag)” on page 780                                                                                                                                 | (not allowed)               |

The declarative operations do not cause an action to occur (except PARM with optional factor 1 or 2); they can be specified anywhere within calculations. They are used to declare the properties of fields or to mark parts of a program. The control level entry (positions 7 and 8) can be blank or can contain an entry to group the statements within the appropriate section of the program.

The DEFINE operation either defines a field based on the attributes (length and decimal positions) of another field or defines a field as a data area.

The KLIST and KFLD operations are used to indicate the name by which a composite key field may be referred and the fields that compose the composite key. A *composite key* is a key that contains a list of key fields. It is built from left to right, with the first KFLD specified being the leftmost (high-order) field of the composite key.

The PLIST and PARM operations are used with the CALL and CALLB operations to allow a called program or procedure access to parameters from a calling program or procedure.

The TAG operation names the destination of a branching operation such as GOTO or CABxx.

---

## Error-Handling Operations

The exception-handling operation codes are:

- “MONITOR (Begin a Monitor Group)” on page 674
- “ON-ERROR (On Error)” on page 714
- ENDMON, as described in “ENDyy (End a Structured Group)” on page 629

These operation codes are available in both the traditional syntax and free-form syntax.

MONITOR, ON-ERROR and ENDMON are used to code a monitor group. The monitor group consists of a monitor block, followed by one or more on-error blocks, followed by ENDMON.

The monitor block contains the code that you think might generate an error. The on-error blocks contain the code to handle errors that occur in the monitor block.

A monitor block consists of a MONITOR operation followed by the operations that will be monitored. An on-error block consists of an ON-ERROR operation, with a

## Error-Handling Operations

list of status codes, followed by the operations that will be performed if an error in the monitor block generates any of the listed status codes.

When an error occurs in the monitor block and the operation has an (E) extender or an error indicator, the error will be handled by the (E) extender or the error indicator. If no indicator or extender can handle the error, control passes to the on-error block containing the status code for the error. When the on-error block is finished, control passes to the ENDMON. If there is no on-error block to handle the error, control passes to the next level of exception handling (the \*PSSR or INFSR subroutines, or the default error handler).

```
/free
 MONITOR;
 OPEN FILE;
 DOW getNextRecord ();
 X = X + 1;
 nameList(X) = name;
 ENDDO;
 CLOSE FILE;
 ON-ERROR 1216;
 DSPMSG
 ('Error opening file FILE'
 : %status);
 RETURN;
 ON-ERROR 121;
 DSPMSG
 ('Array NAME is too small'
 : %status);
 RETURN;
 ON-ERROR *ALL;
 DSPMSG
 ('Unexpected error'
 : %status);
 RETURN;
 ENDMON;
/end-free
```

--- This is the monitor block

--- First on-error block

--- Second on-error block

--- Final catch-all on-error block

--- End of MONITOR group

Figure 156. Example of MONITOR and ON-ERROR blocks

## File Operations

The file operation codes are:

- “ACQ (Acquire)” on page 564
- “CHAIN (Random Retrieval from a File)” on page 589
- “CLOSE (Close Files)” on page 602
- “COMMIT (Commit)” on page 603
- “DELETE (Delete Record)” on page 611
- “EXCEPT (Calculation Time Output)” on page 640
- “EXFMT (Write/Then Read Format)” on page 642
- “FEOD (Force End of Data)” on page 647
- “FORCE (Force a Certain File to Be Read Next Cycle)” on page 651
- “NEXT (Next)” on page 709
- “OPEN (Open File for Processing)” on page 715
- “POST (Post)” on page 726
- “READ (Read a Record)” on page 728
- “READC (Read Next Changed Record)” on page 731

- “READE (Read Equal Key)” on page 733
- “READP (Read Prior Record)” on page 736
- “READPE (Read Prior Equal)” on page 738
- “REL (Release)” on page 742
- “ROLBK (Roll Back)” on page 753
- “SETGT (Set Greater Than)” on page 759
- “SETLL (Set Lower Limit)” on page 763
- “UNLOCK (Unlock a Data Area or Release a Record)” on page 791
- “UPDATE (Modify Existing Record)” on page 793
- “WRITE (Create New Records)” on page 799.

The file built-in functions are:

- “%EOF (Return End or Beginning of File Condition)” on page 489
- “%EQUAL (Return Exact Match Condition)” on page 491
- “%FOUND (Return Found Condition)” on page 496
- “%OPEN (Return File Open Condition)” on page 518
- “%STATUS (Return File or Program Status)” on page 534

These operations are available in both the traditional syntax and free-form syntax.

Most file operations can be used with both program described and externally described files (F or E respectively in position 22 of the file description specifications).

When an externally described file is used with certain file operations, a record format name, rather than a file name, can be specified in factor 2. Thus, the processing operation code retrieves and/or positions the file at a record format of the specified type according to the rules of the calculation operation code used.

When the OVRDBF (override with data base file) command is used with the MBR (\*ALL) parameter specified, the SETLL, SETGT and CHAIN operations only process the current open file member. For more information, refer to the see the iSeries Information Center database and file systems category.

# The CHAIN, READ, READC, READE, READP, and READPE operations *may* have  
# a result data structure. For these operations, data is transferred directly between  
# the file and the data structure, without processing the input specifications for the  
# file. Thus, no record identifying or field indicators are set on as a result of an input  
# operation to a data structure. If all input operations to the file have a result data  
# structure, input specifications are not required.

# The WRITE and UPDATE operations that specify a program described file name in  
# factor 2 *must* have a data structure name specified in the result field. WRITE and  
# UPDATE operations to an externally described file or record *may* have a result data  
# structure. For these operations, data is transferred directly between data structure  
# and the file, without processing the output specifications for the file. If all output  
# operations to the file have a result data structure, output specifications are not  
# required.

# A data structure name is allowed as the result of an I/O operation to an externally  
# described file name or record name as follows:

## File Operations

- #
- #
- #
- #
- #
- #
- #
- #
- #
- #
- #
- #
- #
- #
- #
1. When a record name is specified on an I/O operation, the origin of the data structure must match the record. That is, the data structure must be defined using LIKERECD(rec) or EXTNAME(file:rec) where rec is the format name specified on the operation. For input operations, the result data structure (or base structure for the LIKEDS data structure) must be defined using \*INPUT. For output operations, the result data structure must be defined using \*OUTPUT. For UPDATE to a DISK file, the result data structure may be defined using either \*INPUT or \*OUTPUT.
  2. A result data structure may be specified for an I/O operation to an externally described file name, in addition to a record name, for opcodes CHAIN, READ, READE, READP, and READPE. When the name of an externally described file is specified, the data structure must contain one subfield data structure for each record with input-capable fields, where the allowed subfield data structures are defined as in rule 1. Each subfield data structure must start in position 1. (Normally the overlaying subfields will be defined using keyword OVERLAY(ds:1).) In the special case where the file contains only one record, the result data structure may be defined as in rule 1.
  3. The result data structure can also be defined using LIKEDS(ds), where ds is an data structure following these rules.

If an input operation (CHAIN, EXFMT, READ, READC, READE, READP, READPE) does not retrieve a record because no record was found, because an error occurred in the operation, or because the last record was already retrieved (end of file), then no data is extracted and all fields in the program remain unchanged.

If you specify N as the operation extender of a CHAIN, READ, READE, READP, or READPE operation for an update disk file, a record is read without locking. If no operation extender is specified, the record is locked if the file is an update disk file.

Exception/errors that occur during file operations can be handled by the programmer (by coding an error indicator or specifying a file-error subroutine), or by the RPG IV error handler.

**Note:** Input and output operations in subprocedures involving input and output specifications always use the global name, even if there is a local variable of the same name. For example, if the field name TOTALS is defined in the main source section, as well as in a subprocedure, any input or output operation in the subprocedure will use the field as defined in the main source section.

See "Database Null Value Support" on page 209 for information on handling files with null-capable fields.

## Keys for File Operations

With the file operations CHAIN, DELETE, READE, READPE, SETGT and SETLL, the search argument, *search-arg*, must be the key or relative record number used to identify the record. For free-form calculations, a search argument may be:

1. A single field name
2. A klist name
3. A list of values, such as "(a:b:c+2)". Each part of the composite key may be any expression. Data types must match the corresponding key field, but lengths and data format do not have to match.
4. %KDS(ds{:num})



A composite key is formed from the subfields of the specified data structure in turn. Data types must match with the corresponding key field, but lengths and data format do not have to match. Rules for moving data from expression values to the key build area are the same as for operations code EVAL in that shorter search arguments are padded on the right with blanks and longer search arguments are truncated for type character. If *num* is specified, that is the number of subfields to use in the composite key.

For non-free-form calculations, only field names and klist names are allowed as search argument.

Operation extenders H, M, and R are allowed for CHAIN, DELETE, READE, READPE, SETGT, and SETLL when a list of search arguments or %KDS is specified. These extenders apply to the moving of the individual search argument to the search argument build area.

---

## Indicator-Setting Operations

The indicator setting operation codes are:

- “SETOFF (Set Indicator Off)” on page 767
- “SETON (Set Indicator On)” on page 768

These operation codes are available only in the traditional syntax. In free-form syntax, you can set the value of \*INxx to \*ON or \*OFF using the EVAL operation.

The following indicator-setting built-in function is available in both the traditional syntax and free-form syntax:

- “%NULLIND (Query or Set Null Indicator)” on page 516

The SETON and SETOFF operations set (on or off) indicators specified in positions 71 through 76. At least one resulting indicator must be specified in these positions. Remember the following when setting indicators:

- The 1P, MR, KA through KN, and KP through KY indicators cannot be set on by the SETON operation.
- The 1P and MR indicators cannot be set off by the SETOFF operation.
- Setting L1 through L9 on or off with a SETON or SETOFF operation does not set any lower control level indicators.

---

## Information Operations

The information operations are shown in the following table.

Table 58. Information Operations

| Operation           | Traditional Syntax                          | Free-Form Syntax                                                                                                                                                                                      |
|---------------------|---------------------------------------------|-------------------------------------------------------------------------------------------------------------------------------------------------------------------------------------------------------|
| Dump                | “DUMP (Program Dump)” on page 625           |                                                                                                                                                                                                       |
| Get Shutdown Status | “SHTDN (Shut Down)” on page 769             | “%SHTDN (Shut Down)” on page 530                                                                                                                                                                      |
| Get Time and Date   | “TIME (Retrieve Time and Date)” on page 789 | <ul style="list-style-type: none"> <li>• “%DATE (Convert to Date)” on page 472</li> <li>• “%TIME (Convert to Time)” on page 546</li> <li>• “%TIMESTAMP (Convert to Timestamp)” on page 547</li> </ul> |

The DUMP operation provides a dump of all indicators, fields, data structures, arrays, and tables used in a program.

## Information Operations

The SHTDN operation allows the program to determine whether the system operator has requested shutdown. If so, the resulting indicator that must be specified in positions 71 and 72 is set on.

The TIME operation allows the program to access the system time of day and system date at any time during program running.

---

## Initialization Operations

The initialization operations provide run-time clearing and resetting of all elements in a structure (record format, data structure, array, or table) or a variable (field, subfield, or indicator).

The initialization operations are:

- “CLEAR (Clear)” on page 598
- “RESET (Reset)” on page 743.

These operations are available in both the traditional syntax and free-form syntax.

The CLEAR operation sets all elements in a structure or variable to their default value depending on the field type (numeric, character, graphic, UCS-2, indicator, pointer, or date/time/timestamp).

The RESET operation sets all elements in a structure or variable to their initial values (the values they had at the end of the initialization step in the program cycle).

The RESET operation is used with data structure initialization and the initialization subroutine (\*INZSR). You can use both data structure initialization and the \*INZSR to set the initial value of a variable. The initial value will be used to set the variable if it appears in the result field of a RESET operation.

When these operation codes are applied to record formats, only fields which are output are affected (if factor 2 is blank) or all fields (if factor 2 is \*ALL). The factor 1 entry of \*NOKEY prevents key fields from being cleared or reset.

\*ALL may be specified in factor 2 if the result field contains a table name, or multiple occurrence data structure or record format. If \*ALL is specified all elements or occurrences will be cleared or reset. See “CLEAR (Clear)” on page 598 and “RESET (Reset)” on page 743 for more detail.

For more information see Chapter 10, “Data Types and Data Formats,” on page 169.

---

## Memory Management Operations

The memory management operations are shown in the following table.

*Table 59. Memory Management Operations*

| Operation          | Traditional Syntax                                         | Free-Form Syntax                            |
|--------------------|------------------------------------------------------------|---------------------------------------------|
| Allocate Storage   | “ALLOC (Allocate Storage)” on page 568                     | “%ALLOC (Allocate Storage)” on page 458     |
| Free Storage       | “DEALLOC (Free Storage)” on page 605                       |                                             |
| Reallocate Storage | “REALLOC (Reallocate Storage with New Length)” on page 741 | “%REALLOC (Reallocate Storage)” on page 523 |

Table 59. Memory Management Operations (continued)

| Operation                      | Traditional Syntax | Free-Form Syntax                              |
|--------------------------------|--------------------|-----------------------------------------------|
| Get the Address of a Variable  |                    | “%ADDR (Get Address of Variable)” on page 456 |
| Get the Address of a Procedure |                    | “%PADDR (Get Procedure Address)” on page 519  |

The ALLOC operation allocates heap storage and sets the result-field pointer to point to the storage. The storage is uninitialized.

The REALLOC operation changes the length of the heap storage pointed to by the result-field pointer. New storage is allocated and initialized to the value of the old storage. The data is truncated if the new size is smaller than the old size. If the new size is greater than the old size, the storage following the copied data is uninitialized. The old storage is released. The result-field pointer is set to point to the new storage.

The DEALLOC operation releases the heap storage that the result-field pointer is set to. If operational extender (N) is specified, the pointer is set to \*NULL after a successful deallocation.

Storage is implicitly freed when the activation group ends. Setting LR on will not free any heap storage allocated by the module, but any pointers to heap storage will be lost.

Misuse of heap storage can cause problems. The following example illustrates a scenario to avoid:

```

D Fld1 S 25A BASED(Ptr1)
D Fld2 S 5A BASED(Ptr2)
D Ptr1 S *
D Ptr2 S *
....
C ALLOC 25 Ptr1
C DEALLOC Ptr1
* After this point, Fld1 should not be accessed since the
* basing pointer Ptr1 no longer points to allocated storage.
C CALL 'SOMEPGM'

* During the previous call to 'SOMEPGM', several storage allocations
* may have been done. In any case, it is extremely dangerous to
* make the following assignment, since 25 bytes of storage will
* be filled with 'a'. It is impossible to know what that storage
* is currently being used for.
C EVAL Fld1 = *ALL'a'

```

Following are more problematic situations:

- A similar error can be made if a pointer is copied before being reallocated or deallocated. Great care must be taken when copying pointers to allocated storage, to ensure that they are not used after the storage is deallocated or reallocated.
- If a pointer to heap storage is copied, the copy can be used to deallocate or reallocate the storage. In this case, the original pointer should not be used until it is set to a new value.

## Memory Management Operations

- If a pointer to heap storage is passed as a parameter, the callee could deallocate or reallocate the storage. After the call returns, attempts to access the storage through pointer could cause problems.
- If a pointer to heap storage is set in the \*INZSR, a later RESET of the pointer could cause the pointer to get set to storage that is no longer allocated.
- Another type of problem can be caused if a pointer to heap storage is lost (by being cleared, or set to a new pointer by an ALLOC operation, for example). Once the pointer is lost, the storage it pointed to cannot be freed. This storage is unavailable to be allocated since the system does not know that the storage is no longer addressable. The storage will not be freed until the activation group ends.

---

## Message Operation

The message operation

- “DSPLY (Display Message)” on page 622

allows interactive communication between the program and the operator or between the program and the display workstation that requested the program.

This operation is available in both the traditional syntax and free-form syntax.

---

## Move Operations

The move operations are shown in the following table.

*Table 60. Move Operations*

| Operation     | Traditional Syntax               | Free-Form Syntax                                                                         |
|---------------|----------------------------------|------------------------------------------------------------------------------------------|
| Move          | “MOVE (Move)” on page 676        | “EVALR (Evaluate expression, right adjust)” on page 634 or conversion built-in functions |
| Move an Array | “MOVEA (Move Array)” on page 690 | (not allowed)                                                                            |
| Move Left     | “MOVEL (Move Left)” on page 697  | “EVAL (Evaluate expression)” on page 632 or conversionbuilt-in functions                 |

Move operations transfer all or part of factor 2 to the result field. Factor 2 remains unchanged.

The source and target of the move operation can be of the same or different types, but some restrictions apply:

- For pointer moves, source and target must be the same type, either both basing pointers or both procedure pointers.
- When using MOVEA, both the source and target must be of the same type.
- MOVEA is not allowed for Date, Time or Timestamp fields.
- MOVE and MOVEL are not allowed for float fields or literals.

Resulting indicators can be specified only for character, graphic, UCS-2, and numeric result fields. For the MOVE and MOVEL operations, resulting indicators are not allowed if the result field is an unindexed array. For MOVEA, resulting indicators are not allowed if the result field is an array, regardless of whether or not it is indexed.

The P operation extender can only be specified if the result field is character, graphic, UCS-2, or numeric.

## Moving Character, Graphic, UCS-2, and Numeric Data

When a character field is moved into a numeric result field, the digit portion of each character is converted to its corresponding numeric character and then moved to the result field. Blanks are transferred as zeros. For the MOVE operation, the zone portion of the rightmost character is converted to its corresponding sign and moved to the rightmost position of the numeric result field. It becomes the sign of the field. (See Figure 318 on page 688 for an example.) For the MOVE operation, the zone portion of the rightmost character of factor 2 is converted and used as the sign of the result field (unless factor 2 is shorter than the result field) whether or not the rightmost character is included in the move operation. (See Figure 320 on page 700 for an example.)

If move operations are specified between numeric fields, the decimal positions specified for the factor 2 field are ignored. For example, if 1.00 is moved into a three-position numeric field with one decimal position, the result is 10.0.

Factor 2 may contain the figurative constants \*ZEROS for moves to character or numeric fields. To achieve the same function for graphic fields, the user should code \*ALLG'oXXi' (where 'XX' represents graphic zeros).

When moving data from a character source to graphic fields, if the source is a character literal, named constant, or \*ALL, the compiler will check to make sure it is entirely enclosed by one pair of shift-out shift-in characters (SO/SI). The compiler also checks that the character source is of even length and at least 4 bytes (SO/SI plus one graphic character). When moving from a hexadecimal literal or \*ALLX to graphic field, the first byte and last byte of the hexadecimal literal or the pattern within \*ALLX must not be 0E (shift out) and 0F (shift in). But the hexadecimal literal (or pattern) should still represent an even number of bytes.

When a character field is involved in a move from/to a graphic field, the compiler will check that the character field is of even length and at least 4 bytes long. At runtime, the compiler checks the content of the character field to make sure it is entirely enclosed by only one pair of SO/SI.

When moving from a graphic field to a character field, if the length of the character field is greater than the length of the graphic field (in bytes) plus 2 bytes, the SO/SI are added immediately before and after the graphic data. This may cause unbalanced SO/SI in the character field due to residual data in the character field, which will not be diagnosed by the compiler.

When move operations are used to move data from character fields to graphic fields, shift-out and shift-in characters are removed. When moving data from graphic fields to character fields, shift-out and shift-in characters are inserted in the target field.

When move operations are used to convert data from character to UCS-2 or from UCS-2 to character, the number of characters moved is variable since the character data may or may not contain shift characters and graphic characters. For example, five UCS-2 characters can convert to:

- Five single-byte characters
- Five double-byte characters
- A combination of single-byte and double-byte characters with shift characters separating the modes

## Move Operations

If the resulting data is too long to fit the result field, the data will be truncated. If the result is single-byte character, it is the responsibility of the user to ensure that the result contains complete characters, and contains matched SO/SI pairs.

If you specify operation extender P for a move operation, the result field is padded from the right for MOVEL and MOVEA and from the left for MOVE. The pad characters are blank for character, double-byte blanks for graphic, UCS-2 blanks for UCS-2, 0 for numeric, and '0' for indicator. The padding takes place after the operation. If you use MOVE or MOVEL to move a field to an array, each element of the array will be padded. If you use these operations to move an array to an array and the result contains more elements than the factor 2 array, the same padding takes place but the extra elements are not affected. A MOVEA operation with an array name in the result field will pad the last element affected by the operation plus all subsequent elements.

When resulting indicators are specified for move operations, the result field determines which indicator is set on. If the result field is a character, graphic, or UCS-2 field, only the resulting indicator in positions 75 and 76 can be specified. This indicator is set on if the result field is all blanks. When the result field is numeric, all three resulting indicator positions may be used. These indicators are set on as follows:

**High (71-72)** Set on if the result field is greater than 0.

**Low (73-74)** Set on if the result field is less than 0.

**Equal (75-76)** Set on if the result field is equal to 0.

## Moving Date-Time Data

The MOVE and MOVEL operation codes can be used to move Date, Time and Timestamp data type fields.

The following combinations are allowed for the MOVE and MOVEL operation codes:

- Date to Date
- Time to Time
- Timestamp to Timestamp
- Date to Timestamp
- Time to Timestamp (sets micro-seconds to 000000)
- Timestamp to Date
- Timestamp to Time
- Date to Character or Numeric
- Time to Character or Numeric
- Timestamp to Character or Numeric
- Character or Numeric to Date
- Character or Numeric to Time
- Character or Numeric to Timestamp

Factor 1 must be blank if both the source and the target of the move are Date, Time or Timestamp fields. If factor 1 is blank, the format of the Date, Time, or Timestamp field is used.

Otherwise, factor 1 contains the date or time format compatible with the character or numeric field that is the source or target of the operation. Any valid format may

be specified. See “Date Data Type” on page 195, “Time Data Type” on page 198, and “Timestamp Data Type” on page 199.

Keep in mind the following when specifying factor 1:

- Time format \*USA is not allowed for movement between Time and numeric fields.
- The formats \*LONGJUL, \*CYMD, \*CMDY, and \*CDMY, and a special value \*JOB RUN are allowed in factor 1. (For more information, see Table 29 on page 197.)
- A zero (0) specified at the end of a format (for example \*MDY0) indicates that the character field does not contain separators.
- A 2-digit year format (\*MDY, \*DMY, \*YMD, \*JUL and \*JOB RUN) can only represent dates in the range 1940 through 2039. A 3-digit year format (\*CYMD, \*CMDY, \*CDMY) can only represent dates in the range 1900 through 2899. An error will be issued if conversion to a 2- or 3-digit year format is requested for dates outside these ranges.
- When MOVE and MOVE L are used to move character or numeric values to or from a timestamp, the character or numeric value is assumed to contain a timestamp.

Factor 2 is required and must be a character, numeric, Date, Time, or Timestamp value. It contains the field, array, array element, table name, literal, or named constant to be converted.

The following rules apply to factor 2:

- Separator characters must be valid for the specified format.
- If factor 2 is not a valid representation of a date or time or its format does not match the format specified in factor 1, an error is generated.
- If factor 2 contains UDATE or \*DATE, factor 1 is optional and corresponds to the header specifications DATEDIT keyword.
- If factor 2 contains UDATE and factor 1 entry is coded, it must be a date format with a 2-digit year. If factor 2 contains \*DATE and factor 1 is coded, it must be a date format with a 4-digit year.

The result field must be a Date, Time, Timestamp, numeric, or character variable. It can be a field, array, array element, or table name. The date or time is placed in the result field according to its defined format or the format code specified in factor 1. If the result field is numeric, separator characters will be removed, prior to the operation. The length used is the length after removing the separator characters.

When moving from a Date to a Timestamp field, the time and microsecond portion of the timestamp are unaffected, however the entire timestamp is checked and an error will be generated if it is not valid.

When moving from a Time to a Timestamp field, the microseconds part of the timestamp is set to 000000. The date portion remains unaffected, but the entire timestamp will be checked and an error will be generated when it is not valid.

If character or numeric data is longer than required, only the leftmost data (rightmost for the MOVE operation) is used. Keep in mind that factor 1 determines the length of data to be moved. For example, if the format of factor 1 is \*MDY for a MOVE operation from a numeric date, only the rightmost 6 digits of factor 2 would be used.

## Move Operations

### **Examples of Converting a Character Field to a Date Field**

Figure 157 on page 427 shows some examples of how to define and move 2- and 4-digit year dates between date fields, or between character and date fields.



```

*..1....+....2....+....3....+....4....+....5....+....6....+....7...+....
* Define two 8-byte character fields.
D CHR_8a s 8a inz('95/05/21')
D CHR_8b s 8a inz('abcdefgh')
*
* Define two 8-byte date fields. To get a 2-digit year instead of
* the default 4-digit year (for *ISO format), they are defined
* with a 2-digit year date format, *YMD. For D_8a, a separator (.)
* is also specified. Note that the format of the date literal
* specified with the INZ keyword must be the same as the format
* specified on the * control specification. In this case, none
* is specified, so it is the default, *ISO.
*
D D_8a s d datfmt(*ymd.)
D D_8b s d inz(d'1995-07-31') datfmt(*ymd)
*
* Define a 10-byte date field. By default, it has *ISO format.
D D_10 s d inz(d'1994-06-10')
*
* D_10 now has the value 1995-05-21
*
* Move the 8-character field to a 10-character date field D_10.
* It will contain the date that CHR_8a was initialized to, but
* with a 4-digit year and the format of D_10, namely,
* 1995-05-21 (*ISO format).
*
* Note that a format must be specified with built-in function
* %DATE to indicate the format of the character field.
*
/FREE
D_10 = %DATE (CHR_8a: *YMD);
//
// Move the 10-character date to an 8-character field CHR_8b.
// It will contain the date that was just moved to D_10, but with
// a 2-digit year and the default separator indicated by the *YMD
// format.
//
CHR_8b = %CHAR (D_10: *YMD);
//
// Move the 10-character date to an 8-character date D_8a.
// It will contain the date that * was just moved to D_10, but
// with a 2-digit year and a . separator since D_8a was defined
// with the (*YMD.) format.
//
D_8a = D_10;
//
// Move the 8-character date to a 10-character date D_10
// It will contain the date that * D_8b was initialized to,
// but with a 4-digit year, 1995-07-31.
//
D_10 = D_8b;
//
// After the last move, the fields will contain
// CHR_8b: 95/05/21
// D_8a: 95.05.21
// D_10: 1995-07-31
//
*INLR = *ON;
/END-FREE

```

Figure 157. Moving character and date data

## Move Operations

The following example shows how to convert from a character field in the form CYYMMDD to a date field in \*ISO format. This is particularly useful when using command parameters of type \*DATE.

```
CMD PROMPT('Use DATE parameter')
PARM KWD(DATE) TYPE(*DATE)
```

Figure 158. Source for a command using a date parameter.

```
*..1....+....2....+....3....+....4....+....5....+....6....+....7....+....
* Prototype and procedure interface for this program
D FIG210 PR EXTPGM('FIG210')
D DateParm 7A
D FIG210 PI
D DateParm 7A

* Declare a date type with date format *ISO.
D ISO_DATE S D DATFMT(*ISO)

* The format of the DateParm parameter is CYYMMDD, so code
* *CYMD0 as the 2nd parameter of built-in function %DATE.
/FREE
 ISO_DATE = %DATE (DateParm: *CYMD0);
/END-FREE
```

Figure 159. Part of RPG IV command processing program for this command.

---

## Move Zone Operations

The move zone operations are:

- “MHHZO (Move High to High Zone)” on page 670
- “MHLZO (Move High to Low Zone)” on page 671
- “MLHZO (Move Low to High Zone)” on page 672
- “MLLZO (Move Low to Low Zone)” on page 673.

These operations are available only in the traditional syntax.

The move zone operations move only the zone portion of a character.

Whenever the word *high* is used in a move zone operation, the field involved must be a character field; whenever *low* is used, the field involved can be either a character or a numeric field. Float numeric fields are not allowed in the Move Zone operations.

Characters J through R have D zones and can be used to obtain a negative value: (J = hexadecimal D1, ..., R = hexadecimal D9).

**Note:** While you may see this usage in old programs, your code will be clearer if you use hexadecimal literals for this purpose. Use X'F0' to obtain a positive zone and X'D0' to obtain a negative zone.

**Note:** The character (-) is represented by a hexadecimal 60, and cannot be used to obtain a negative result, since it has a zone of 6, and a negative result requires a zone of "D".

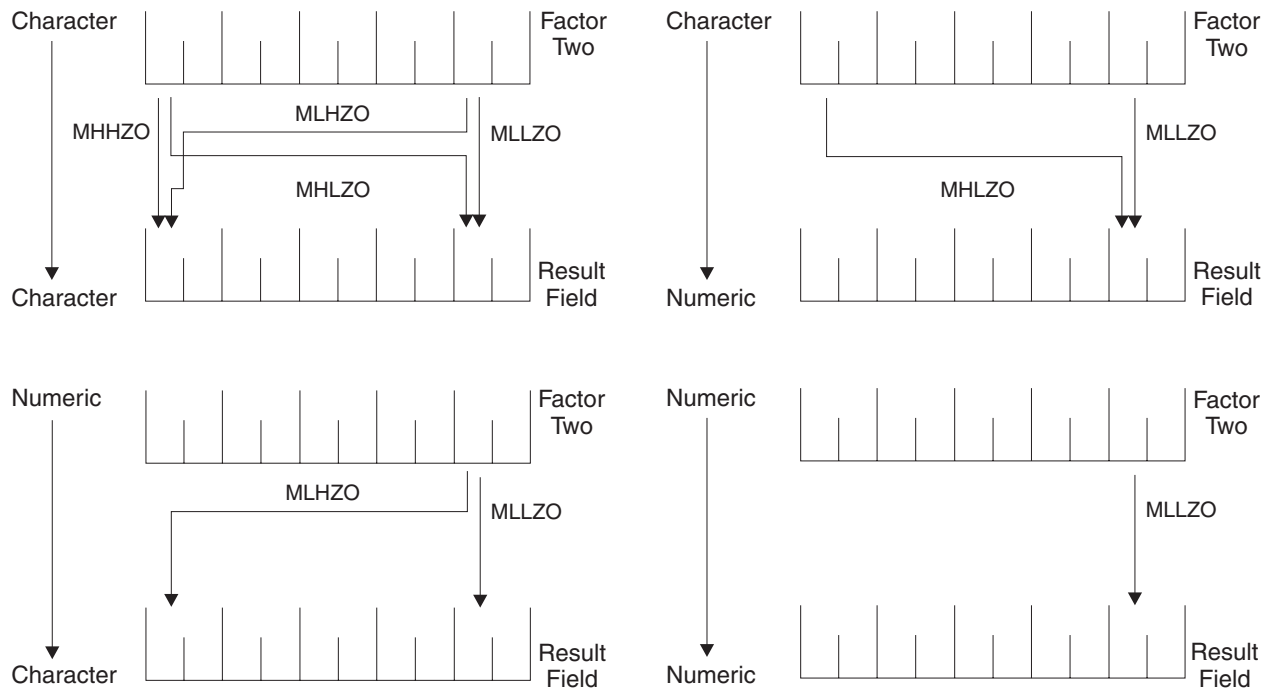


Figure 160. Function of MOVE Zone Operations

## Result Operations

The following built-in functions work with the result of the previous operation:

- “%EQUAL (Return Exact Match Condition)” on page 491
- “%FOUND (Return Found Condition)” on page 496
- “%ERROR (Return Error Condition)” on page 493
- “%STATUS (Return File or Program Status)” on page 534

These built-in functions are available in both the traditional syntax and free-form syntax.

## Size Operations

The following built-in functions return information about the size of a variable, field, constant, array, table, or data structure:

- “%DECPOS (Get Number of Decimal Positions)” on page 478
- “%LEN (Get or Set Length)” on page 508
- “%SIZE (Get Size in Bytes)” on page 531

These built-in functions are available in both the traditional syntax and free-form syntax.

## String Operations

The string operations are shown in the following table.

## String Operations

Table 61. String Operations

| Operation     | Traditional Syntax                                                                                                                                 | Free-Form Syntax                          |
|---------------|----------------------------------------------------------------------------------------------------------------------------------------------------|-------------------------------------------|
| Concatenate   | "CAT (Concatenate Two Strings)" on page 586                                                                                                        | + operator                                |
| Check         | "CHECK (Check Characters)" on page 592                                                                                                             | "%CHECK (Check Characters)" on page 468   |
| Check Reverse | "CHECKR (Check Reverse)" on page 595                                                                                                               | "%CHECKR (Check Reverse)" on page 470     |
| Create        | "%STR (Get or Store Null-Terminated String)" on page 537                                                                                           |                                           |
| Replace       | "%REPLACE (Replace Character String)" on page 525                                                                                                  |                                           |
| Scan          | "SCAN (Scan String)" on page 754                                                                                                                   | "%SCAN (Scan for Characters)" on page 527 |
| Substring     | "SUBST (Substring)" on page 777                                                                                                                    | "%SUBST (Get Substring)" on page 543      |
| Translate     | "XLATE (Translate)" on page 802                                                                                                                    | "%XLATE (Translate)" on page 558          |
| Trim Blanks   | "%TRIM (Trim Characters at Edges)" on page 550, "%TRIML (Trim Leading Characters)" on page 552, or "%TRIMR (Trim Trailing Characters)" on page 553 |                                           |

The string operations include concatenation, scanning, substringing, translation, and verification. String operations can only be used on character, graphic, or UCS-2 fields.

The CAT operation concatenates two strings to form one.

The CHECK and CHECKR operations verify that each character in factor 2 is among the valid characters in factor 1. CHECK verifies from left to right and CHECKR from right to left.

The SCAN operation scans the base string in factor 2 for occurrences of another string specified in factor 1.

The SUBST operation extracts a specified string from a base string in factor 2. The extracted string is placed in the result field.

The XLATE operation translates characters in factor 2 according to the from and to strings in factor 1.

**Note:** Figurative constants cannot be used in the factor 1, factor 2, or result fields. No overlapping in a data structure is allowed for factor 1 and the result field, or factor 2 and the result field.

In the string operations, factor 1 and factor 2 may have two parts. If both parts are specified, they must be separated by a colon. This option applies to all but the CAT, CHECK, CHECKR, and SUBST operations (where it applies only to factor 2).

If you specify P as the operation extender for the CAT, SUBST, or XLATE operations, the result field is padded from the right with blanks after the operation.

See each operation for a more detailed explanation.

When using string operations on graphic fields, all data in factor 1, factor 2, and the result field must be graphic. When numeric values are specified for length, start position, and number of blanks for graphic characters, the values represent double byte characters.

When using string operations on UCS-2 fields, all data in factor 1, factor 2, and the result field must be UCS-2. When numeric values are specified for length, start position, and number of blanks for UCS-2 characters, the values represent double byte characters.

When using string operations on the graphic part of mixed-mode character data, the start position, length and number of blanks represent single byte characters. Preserving data integrity is the user's responsibility.

## Structured Programming Operations

The structured programming operations are shown in the following table.

Table 62. Structured Programming Operations

| Operation | Traditional Syntax                                                                         | Free-Form Syntax                           |
|-----------|--------------------------------------------------------------------------------------------|--------------------------------------------|
| And       | "ANDxx (And)" on page 569                                                                  | AND operator                               |
| Do        | "DO (Do)" on page 614                                                                      | "FOR (For)" on page 648                    |
| Do Until  | "DOU (Do Until)" on page 616 or "DOUxx (Do Until)" on page 617                             | "DOU (Do Until)" on page 616               |
| Do While  | "DOW (Do While)" on page 619 or "DOWxx (Do While)" on page 620                             | "DOW (Do While)" on page 619               |
| Else      | "ELSE (Else)" on page 627                                                                  |                                            |
| Else If   | "ELSEIF (Else If)" on page 628                                                             |                                            |
| End       | "ENDyy (End a Structured Group)" on page 629                                               |                                            |
| For       | "FOR (For)" on page 648                                                                    |                                            |
| If        | "IF (If)" on page 654 or "IFxx (If)" on page 655                                           | "IF (If)" on page 654                      |
| Iterate   | "ITER (Iterate)" on page 659                                                               |                                            |
| Leave     | "LEAVE (Leave a Do/For Group)" on page 664                                                 |                                            |
| Or        | "ORxx (Or)" on page 717                                                                    | OR operator                                |
| Otherwise | "OTHER (Otherwise Select)" on page 718                                                     |                                            |
| Select    | "SELECT (Begin a Select Group)" on page 757                                                |                                            |
| When      | "WHEN (When True Then Select)" on page 795 or "WHENxx (When True Then Select)" on page 796 | "WHEN (When True Then Select)" on page 795 |

The DO operation allows the processing of a group of calculations zero or more times starting with the value in factor 1, incrementing each time by a value on the associated ENDDO operation until the limit specified in factor 2 is reached.

The DOU and DOUxx (Do Until) operations allow the processing of a group of calculations one or more times. The end of a Do-Until operation is indicated by an ENDDO operation.

The DOW and DOWxx (Do While) operations allow the processing of a group of calculations zero or more times. The end of a Do-While operation is indicated by an ENDDO operation.

The FOR operation allows the repetitive processing of a group of calculations. A starting value is assigned to the index name. Increment and limit values can be

## Structured Programming Operations

specified, as well. Starting, increment, and limit values can be free-form expressions. An ENDFOR operation indicates the end of the FOR group.

The LEAVE operation interrupts control flow prematurely and transfers control to the statement following the ENDDO or ENDFOR operation of an iterative structured group. The ITER operation causes the next loop iteration to occur immediately.

The IF and IFxx operations allow the processing of a group of calculations if a specified condition is satisfied. The ELSE operation allows you to specify a group of calculations to be processed if the condition is not satisfied. The ELSEIF operation is a combination of an ELSE operation and an IF operation. The end of an IF or IFxx group is indicated by ENDIF.

The SELECT, WHEN, WHENxx, and OTHER group of operations are used to conditionally process one of several alternative sequences of operations. The beginning of the select group is indicated by the SELECT operation. The WHEN and WHENxx operations are used to choose the operation sequence to process. The OTHER operation is used to indicate an operation sequence that is processed when none of the WHENxx conditions are fulfilled. The end of the select group is indicated by the ENDSL operation.

The ANDxx and ORxx operations are used with the DOUxx, DOWxx, WHENxx, and IFxx operations to specify a more complex condition. The ANDxx operation has higher precedence than the ORxx operation. Note, however, that the IF, DOU, DOW, and WHEN operations allow a more straightforward coding of complex expressions than their xx counterparts.

```
*...1....+....2....+....3....+....4....+....5....+....6....+....7...
CL0N01Factor1+++++0pcode(E)+Factor2+++++Result+++++Len++D+HiLoEq....
*
* In the following example, indicator 25 will be set on only if the
* first two conditions are true or the third condition is true.
*
* As an expression, this would be written:
* EVAL *IN25 = ((FIELDA > FIELDDB) AND (FIELDA >= FIELDDC)) OR (FIELDA < FIELDDD)
*
*
C FIELDA IFGT FIELDB
C FIELDA ANDGE FIELDC
C FIELDA ORLT FIELDD
C
C SETON 25
C ELSE
C SETOFF 25
C ENDIF
```

Figure 161. Example of AND/OR Precedence

A DO, DOUxx, DOWxx, FOR, IFxx, MONITOR, or SELECT operation (with or without ANDxx or ORxx operations), and an ENDyy operation, delimit a structured group. The ENDDO operation ends each DO, DOUxx, and DOWxx group or causes the structured group to be reprocessed until the specified ending conditions are met. The ENDFOR operation ends each FOR group. The SELECT must end with an ENDSL. An IFxx operation and an IFxx operation with an ELSE operation must end with an ENDIF operation.

The rules for making the comparison on the AND<sub>xx</sub>, DOU<sub>xx</sub>, DOW<sub>xx</sub>, IF<sub>xx</sub>, OR<sub>xx</sub> and WHEN<sub>xx</sub> operation codes are the same as those given under “Compare Operations” on page 408.

In the AND<sub>xx</sub>, DOU<sub>xx</sub>, DOW<sub>xx</sub>, IF<sub>xx</sub>, OR<sub>xx</sub>, and WHEN<sub>xx</sub> operations, *xx* can be:

| <i>xx</i> | Meaning                                        |
|-----------|------------------------------------------------|
| GT        | Factor 1 is greater than factor 2.             |
| LT        | Factor 1 is less than factor 2.                |
| EQ        | Factor 1 is equal to factor 2.                 |
| NE        | Factor 1 is not equal to factor 2.             |
| GE        | Factor 1 is greater than or equal to factor 2. |
| LE        | Factor 1 is less than or equal to factor 2.    |

In the END<sub>yy</sub> operation, *yy* can be:

| <i>yy</i> | Meaning                                                          |
|-----------|------------------------------------------------------------------|
| CS        | End for CAS <sub>xx</sub> operation.                             |
| DO        | End for DO, DOU <sub>xx</sub> , and DOW <sub>xx</sub> operation. |
| FOR       | End for FOR operation.                                           |
| IF        | End for IF <sub>xx</sub> operation.                              |
| SL        | End for SELECT operation.                                        |

**Blanks**  
End for any structured operation.

**Note:** The *yy* in the END<sub>yy</sub> operation is optional.

If a structured group, in this case a do group, contains another complete structured group, together they form a nested structured group. Structured groups can be nested to a maximum depth of 100 levels. The following is an example of nested structured groups, three levels deep:

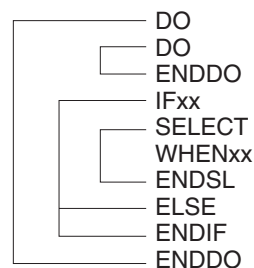


Figure 162. Nested Structured Groups

Remember the following when specifying structured groups:

- Each nested structured group must be completely contained within the outer level structured group.
- Each structured group must contain one of a DO, DOU<sub>xx</sub>, DOW<sub>xx</sub>, FOR, IF<sub>xx</sub>, or SELECT operation and its associated END<sub>yy</sub> operation.
- A structured group can be contained in detail, total, or subroutine calculations, but it cannot be split among them.

## Structured Programming Operations

- Branching into a structured group from outside the structured group may cause undesirable results.

---

## Subroutine Operations

The subroutine operations are:

- “BEGSR (Beginning of Subroutine)” on page 570
- “ENDSR (End of Subroutine)” on page 631
- “EXSR (Invoke Subroutine)” on page 644
- “LEAVESR (Leave a Subroutine)” on page 666
- “CASxx (Conditionally Invoke Subroutine)” on page 584 (traditional syntax only)

All of these operations except CASxx are available in both the traditional syntax and free-form syntax.

A subroutine is a group of calculation specifications in a program that can be processed several times in that program. Subroutine specifications must follow all other calculation operations that can be processed for a procedure; however, the PLIST, PARM, KLIST, KFLD, and DEFINE operations may be specified between an ENDSR operation (the end of one subroutine) and a BEGSR operation (the beginning of another subroutine) or after all subroutines. A subroutine can be called using an EXSR or CASxx operation anywhere in the calculation specifications. Subroutine lines can be identified by SR in positions 7 and 8. The only valid entries in positions 7 and 8 of a subroutine line are SR, AN, OR, or blanks.

## Coding Subroutines

An RPG IV subroutine can be processed from any point in the calculation operations. All RPG IV operations can be processed within a subroutine, and these operations can be conditioned by any valid indicators in positions 9 through 11. SR or blanks can appear in positions 7 and 8. Control level indicators (L1 through L9) cannot be used in these positions. However, AND/OR lines within the subroutine can be indicated in positions 7 and 8.

Fields used in a subroutine can be defined either in the subroutine or in the rest of the procedure. In either instance, the fields can be used by both the body of the procedure and the subroutine.

A subroutine cannot contain another subroutine. One subroutine can call another subroutine; that is, a subroutine can contain an EXSR or CASxx. However, an EXSR or CASxx specification within a subroutine cannot directly call itself. Indirect calls to itself through another subroutine should not be performed, because unpredictable results will occur. Use the GOTO and TAG operation codes if you want to branch to another point within the same subroutine.

Subroutines do not have to be specified in the order they are used. Each subroutine must have a unique symbolic name and must contain a BEGSR and an ENDSR statement.

The use of the GOTO (branching) operation is allowed within a subroutine. GOTO can specify the label on the ENDSR operation associated with that subroutine; it cannot specify the name of a BEGSR operation. A GOTO cannot be issued to a TAG or ENDSR within a subroutine unless the GOTO is in the same subroutine as



the TAG or ENDSR. You can use the LEAVESR operation to exit a subroutine from any point within the subroutine. Control passes to the ENDSR operation for the subroutine. Use LEAVESR only from within a subroutine.

A GOTO within a subroutine in the main procedure can be issued to a TAG within the same subroutine, detail calculations or total calculations. A GOTO within a subroutine in a subprocedure can be issued to a TAG within the same subroutine, or within the body of the subprocedure.

## Subroutine Operations

### Subroutine Coding Examples

```
*...1....+...2....+...3....+...4....+...5....+...6....+...7...+...
CL0N01Factor1+++++Opcode(E)+Factor2+++++Result+++++Len++D+HiLoEq....
*
* For a subroutine, positions 7 and 8 can be blank or contain SR.
*
C :
C :
C EXSR SUBRTB
C :
C :
C :
CL2 EXSR SUBRTA
C :
C :
C :
C SUBRTA BEGSR
C :
C :
C :
*
* One subroutine can call another subroutine.
*
C EXSR SUBRTC
C :
C :
C :
C SUBRTB ENDSR
C BEGSR
C :
C :
C :
*
*...1....+...2....+...3....+...4....+...5....+...6....+...7...+...
CL0N01Factor1+++++Opcode(E)+Factor2+++++Result+++++Len++D+HiLoEq....
*
* GOTO and TAG operations can be used within a subroutine.
*
C START TAG
C :
C :
C :
C 23 GOTO END
C :
C :
C :
C 24 GOTO START
C END ENDSR
C SUBRTC BEGSR
C :
C :
C :
C ENDSR
*
```

Figure 163. Examples of Coding Subroutines

---

## Test Operations

The test operations are:

- “TEST (Test Date/Time/Timestamp)” on page 781
- “TESTB (Test Bit)” on page 783
- “TESTN (Test Numeric)” on page 786
- “TESTZ (Test Zone)” on page 788.

TEST is available in both the traditional syntax and free-form syntax. The other operations are available only in the traditional syntax. See Figure 174 on page 463 for an example of how %BITAND can be used to duplicate the function of TESTB.

The TESTx operations allow you to test fields specified in the result field. TEST tests for valid date, time, or timestamp data. TESTB tests the bit pattern of a result field. TESTN tests if the character field specified in the result field contain all numbers, or numbers with leading blanks, or all blanks. TESTZ tests the zone portion of the leftmost character of a character field specified in the result field. The result of these operations is indicated by the resulting indicators.

---

## XML Operations

The XML operations include SAX parsing and reading an XML document directly into a variable.

The XML operations are:

- “XML-SAX (Parse an XML Document)” on page 834
- “XML-INTO (Parse an XML Document into a Variable)” on page 804
- “%XML (xmlDocument {:options})” on page 559
- “%HANDLER (handlingProcedure : communicationArea )” on page 500

The %HANDLER and %XML built-in functions are special built-in functions that do not return a value. They can be used only with the XML operation codes XML-SAX and XML-INTO.

XML-SAX initiates a SAX parse that repeatedly calls your SAX-handling procedure to handle events.

XML-INTO copies the information in an XML document into a program variable.

For XML documents with many repeated XML elements, it can be used to handle a limited number of XML elements at a time, having the elements passed to your XML-INTO handling procedure.

For more information about processing XML documents in your RPG programs, see *WebSphere Development Studio: ILE RPG Programmer's Guide*.



---

## Chapter 21. Expressions

Expressions are a way to express program logic using free-form syntax. They can be used to write program statements in a more readable or concise manner than fixed-form statements.

An expression is simply a group of operands and operations. For example, the following are valid expressions:

```
A+B*21
STRINGA + STRINGB
D = %ELEM(ARRAYNAME)
*IN01 OR (BALANCE > LIMIT)
SUM + TOTAL(ARRAY:%ELEM(ARRAY))
'The tax rate is ' + %editc(tax : 'A') + '%.'
```

Expressions may be coded in the following statements:

- “CALLP (Call a Prototyped Procedure or Program)” on page 579
- “CHAIN (Random Retrieval from a File)” on page 589 (free-form calculations only)
- “CLEAR (Clear)” on page 598 (free-form calculations only)
- “DELETE (Delete Record)” on page 611 (free-form calculations only)
- “DSPLY (Display Message)” on page 622 (free-form calculations only)
- “DOU (Do Until)” on page 616
- “DOW (Do While)” on page 619
- “EVAL (Evaluate expression)” on page 632
- “EVALR (Evaluate expression, right adjust)” on page 634
- “EVAL-CORR (Assign corresponding subfields)” on page 634
- “FOR (For)” on page 648
- “IF (If)” on page 654
- “RETURN (Return to Caller)” on page 750
- “READE (Read Equal Key)” on page 733 (free-form calculations only)
- “READPE (Read Prior Equal)” on page 738 (free-form calculations only)
- “SETGT (Set Greater Than)” on page 759 (free-form calculations only)
- “SETLL (Set Lower Limit)” on page 763 (free-form calculations only)
- “SORTA (Sort an Array)” on page 770
- “WHEN (When True Then Select)” on page 795
- “XML-INTO (Parse an XML Document into a Variable)” on page 804
- “XML-SAX (Parse an XML Document)” on page 834

Figure 164 on page 440 shows several examples of how expressions can be used:

## General Expression Rules

```
*..1....+....2....+....3....+....4....+....5....+....6....+....7....+....
* The operations within the DOU group will iterate until the
* logical expression is true. That is, either COUNTER is less
* than MAXITEMS or indicator 03 is on.
/FREE
 dou counter < MAXITEMS or *in03;
 enddo;

 // The operations controlled by the IF operation will occur if
 // DUEDATE (a date variable) is an earlier date than
 // December 31, 1994.
 if DueDate < D'12-31-94';
 endif;

 // In this numeric expression, COUNTER is assigned the value
 // of COUNTER plus 1.
 Counter = Counter + 1;

 // This numeric expression uses a built-in function to assign the numb
 // of elements in the array ARRAY to the variable ARRAYSIZE.
 ArraySize = %elem (Array);

 // This expression calculates interest and performs half adjusting on
 // the result which is placed in the variable INTEREST.
 eval(h) Interest = Balance * Rate;

 // This character expression builds a sentence from a name and a
 // number using concatenation. You can use built-in function
 // %CHAR, %EDITC, %EDITW or %EDITFLT to convert the numeric value
 // to character data.
 // This statement produces 'Id number for John Smith is 231 364'
 String = 'Id number for '
 + %trimr (First) + ' ' + %trimr (Last)
 + ' is ' + %editw (IdNum: ' & ');

 // This expression adds a duration of 10 days to a date.
 DueDate = OriginalDate + %days(10);

 // This expression determines the difference in seconds between
 // two time values.
 Seconds = %diff (CompleteTime: t'09:00:00': *seconds);

 // This expression combines a date value and a time value into a
 // timestamp value.
 TimeStamp = TransactionDate + TransactionTime;
/END-FREE
```

Figure 164. Expression Examples

---

## General Expression Rules

The following are general rules that apply to all expressions:

1. Expressions are coded in the Extended-Factor 2 entry on the Calculation Specification or after the operation code on a free-form calculation.
2. An expression can be continued on more than one specification. On a continuation specification, the only entries allowed are C in column 6 and the Extended-Factor 2 entry.

No special continuation character is needed unless the expression is split within a literal or a name.

3. Blanks (like parentheses) are required only to resolve ambiguity. However, they may be used to enhance readability.

Note that RPG will read as many characters as possible when parsing each token of an expression. For example,

- $X^{**}DAY$  is X raised to the power of DAY
  - $X^{*} *DAY$  is X multiplied by \*DAY
4. The TRUNCNBR option (as a command parameter or as a keyword on a control specification) does not apply to calculations done within expressions. When overflow occurs during an expression operation, an exception is always issued.

## Expression Operands

An operand can be any field name, named constant, literal, or prototyped procedure returning a value. In addition, the result of any operation can also be used as an operand to another operation. For example, in the expression  $A+B*21$ , the result of  $B*21$  is an operand to the addition operation.

## Expression Operators

There are several types of operations:

### Unary Operations

Unary operations are coded by specifying the operator followed by one operand. The unary operators are:

- +** The unary plus operation maintains the value of the numeric operand.
- The unary minus operation negates the value of the numeric operand. For example, if **NUMBER** has the value **123.4**, the value of **-NUMBER** is **-123.4**.
- NOT** The logical negation operation returns '1' if the value of the indicator operand is '0' and '0' if the indicator operand is '1'. Note that the result of any comparison operation or operation **AND** or **OR** is a value of type indicator.

### Binary Operations

Binary operations are coded by specifying the operator between the two operands. The binary operators are:

- +** The meaning of this operation depends on the types of the operands. It can be used for:
  1. Adding two numeric values
  2. Adding a duration to a date, time, or timestamp.
  3. Concatenating two character, two graphic, or two UCS-2 values
  4. Adding a numeric offset to a basing pointer
  5. Combining a date and a time to yield a timestamp
- The meaning of this operation depends on the types of the operands. It can be used for:
  1. Subtracting two numeric values
  2. Subtracting a duration from a date, time, or timestamp.
  3. Subtracting a numeric offset from a basing pointer
  4. Subtracting two pointers
- \*** The multiplication operation is used to multiply two numeric values.

## Expression Operators

|     |                                                                                                                           |
|-----|---------------------------------------------------------------------------------------------------------------------------|
| /   | The division operation is used to divide two numeric values.                                                              |
| **  | The exponentiation operation is used to raise a number to the power of another. For example, the value of $2^{**}3$ is 8. |
| =   | The equality operation returns '1' if the two operands are equal, and '0' if not.                                         |
| <>  | The inequality operation returns '0' if the two operands are equal, and '1' if not.                                       |
| >   | The greater than operation returns '1' if the first operand is greater than the second.                                   |
| >=  | The greater than or equal operation returns '1' if the first operand is greater or equal to the second.                   |
| <   | The less than operation returns '1' if the first operand is less than the second.                                         |
| <=  | The less than or equal operation returns '1' if the first operand is less or equal to the second.                         |
| AND | The logical and operation returns returns '1' if both operands have the value of indicator '1'.                           |
| OR  | The logical or operation returns returns '1' if either operand has the value of indicator '1'.                            |

# **Assignment Operations**

# Assignment operations are coded by specifying the target of the  
# assignment followed by an assignment operator followed by the expression  
| to be assigned to the target. Compound-assignment operators of the form  
| op= (for example +=) combine assignment with another operation, using  
| the target as one of the operands of the operation. The = assignment  
| operator is used with the EVAL and EVALR operations. The op=  
| compound-assignment operators are used with the EVAL operation only.  
# The assignment operators are:

- # • = The expression is assigned to the target
- # • += The expression is added to the target
- # • -= The expression is subtracted from the target
- # • \*= The target is multiplied by the expression
- # • /= The target is divided by the expression
- # • \*\*= The target is assigned the target raised to the power of the  
# expression

### Built-In Functions

Built-in functions are discussed in "Built-in Functions" on page 394.

### User-Defined Functions

Any prototyped procedure that returns a value can be used within an expression. The call to the procedure can be placed anywhere that a value of the same type as the return value of the procedure would be used. For example, assume that procedure **MYFUNC** returns a character value. The following shows three calls to **MYFUNC**:



```

*..1....+....2....+....3....+....4....+....5....+....6....+....7....+....
/FREE
 if MyFunc (string1) = %trim (MyFunc (string2));
 %subst(X(3))= MyFunc('abc');
 endif;
/END-FREE

```

Figure 165. Using a Prototyped Procedure in an Expression

For more information on user-defined functions see Chapter 6, “Procedures and subprocedures,” on page 93.

---

## Operation Precedence

The precedence of operations determines the order in which operations are performed within expressions. High precedence operations are performed before lower precedence operations.

Since parentheses have the highest precedence, operations within parentheses are always performed first.

Operations of the same precedence (for example  $A+B+C$ ) are evaluated in left to right order, except for  $**$ , which is evaluated from right to left.

(Note that although an expression is evaluated from left to right, this does not mean that the operands are also evaluated from left to right. See “Order of Evaluation” on page 454 for additional considerations.)

The following list indicates the precedence of operations from highest to lowest:

1. ()
2. Built-in functions, user-defined functions
3. unary +, unary -, NOT
4. \*\*
5. \*, /
6. binary +, binary -
7. =, <>, >, >=, <, <=
8. AND
9. OR

Figure 166 on page 444 shows how precedence works.

## Data Types

```

*..1....+....2....+....3....+....4....+....5....+....6....+....7...+....
* The following two operations produce different results although
* the order of operands and operators is the same. Assume that
* PRICE = 100, DISCOUNT = 10, and TAXRATE = 0.15.
* The first EVAL would result in a TAX of 98.5.
* Since multiplication has a higher precedence than subtraction,
* DISCOUNT * TAXRATE is the first operation performed. The result
* of that operation (1.5) is then subtracted from PRICE.

/FREE
 TAX = PRICE - DISCOUNT * TAXRATE;

 // The second EVAL would result in a TAX of 13.50.
 // Since parentheses have the highest precedence the operation
 // within parenthesis is performed first and the result of that
 // operation (90) is then multiplied by TAXRATE.

 TAX = (PRICE - DISCOUNT) * TAXRATE;
/END-FREE

```

Figure 166. Precedence Example

## Data Types

All data types are allowed within expressions. However, specific operations only support certain data types as operands. For example, the \* operation only allows numeric values as operands. Note that the relational and logical operations return a value of type indicator, which is a special type of character data. As a result, any relational or logical result can be used as an operand to any operation that expects character operands.

### Data Types Supported by Expression Operands

Table 63 describes the type of operand allowed for each unary operator and the type of the result. Table 64 describes the type of operands allowed for each binary operator and the type of the result. Table 65 on page 445 describes the type of operands allowed for each built-in function and the type of the result. Prototyped procedures support whatever data types are defined in the prototype definition.

Table 63. Types Supported for Unary Operations

| Operation    | Operand Type | Result Type |
|--------------|--------------|-------------|
| - (negation) | Numeric      | Numeric     |
| +            | Numeric      | Numeric     |
| NOT          | Indicator    | Indicator   |

Table 64. Operands Supported for Binary Operations

| Operator        | Operand 1 Type | Operand 2 Type | Result Type |
|-----------------|----------------|----------------|-------------|
| + (addition)    | Numeric        | Numeric        | Numeric     |
| + (addition)    | Date           | Duration       | Date        |
| + (addition)    | Time           | Duration       | Time        |
| + (addition)    | Timestamp      | Duration       | Timestamp   |
| - (subtraction) | Numeric        | Numeric        | Numeric     |
| - (subtraction) | Date           | Duration       | Date        |

Table 64. Operands Supported for Binary Operations (continued)

| Operator                                                                                                                  | Operand 1 Type | Operand 2 Type | Result Type    |
|---------------------------------------------------------------------------------------------------------------------------|----------------|----------------|----------------|
| - (subtraction)                                                                                                           | Time           | Duration       | Time           |
| - (subtraction)                                                                                                           | Timestamp      | Duration       | Timestamp      |
| * (multiplication)                                                                                                        | Numeric        | Numeric        | Numeric        |
| / (division)                                                                                                              | Numeric        | Numeric        | Numeric        |
| ** (exponentiation)                                                                                                       | Numeric        | Numeric        | Numeric        |
| + (concatenation)                                                                                                         | Character      | Character      | Character      |
| + (concatenation)                                                                                                         | Graphic        | Graphic        | Graphic        |
| + (concatenation)                                                                                                         | UCS-2          | UCS-2          | UCS-2          |
| + (add offset to pointer)                                                                                                 | Basing Pointer | Numeric        | Basing Pointer |
| - (subtract pointers)                                                                                                     | Basing Pointer | Basing Pointer | Numeric        |
| - (subtract offset from pointer)                                                                                          | Basing Pointer | Numeric        | Basing Pointer |
| <b>Note:</b> For the following operations the operands may be of any type, but the two operands must be of the same type. |                |                |                |
| = (equal to)                                                                                                              | Any            | Any            | Indicator      |
| >= (greater than or equal to)                                                                                             | Any            | Any            | Indicator      |
| > (greater than)                                                                                                          | Any            | Any            | Indicator      |
| <= (less than or equal to)                                                                                                | Any            | Any            | Indicator      |
| < (less than)                                                                                                             | Any            | Any            | Indicator      |
| <> (not equal to)                                                                                                         | Any            | Any            | Indicator      |
| AND (logical and)                                                                                                         | Indicator      | Indicator      | Indicator      |
| OR (logical or)                                                                                                           | Indicator      | Indicator      | Indicator      |

Table 65. Types Supported for Built-in Functions

| Operation | Operands                                                                                   | Result Type |
|-----------|--------------------------------------------------------------------------------------------|-------------|
| %ABS      | Numeric                                                                                    | Numeric     |
| %ALLOC    | Numeric                                                                                    | Pointer     |
| %BITAND   | Character:character{:character...}                                                         | Character   |
| %BITAND   | Numeric:numeric{:numeric...}                                                               | Numeric     |
| %BITNOT   | Character                                                                                  | Character   |
| %BITNOT   | Numeric                                                                                    | Numeric     |
| %BITOR    | Character:character{:character...}                                                         | Character   |
| %BITOR    | Numeric:numeric{:numeric...}                                                               | Numeric     |
| %BITXOR   | Character:character                                                                        | Character   |
| %BITXOR   | Numeric:numeric                                                                            | Numeric     |
| %CHAR     | Graphic, Numeric, UCS-2, Date, Time or Timestamp {:<br>Format of Date, Time, or Timestamp} | Character   |
| %CHECK    | Character, Graphic, or UCS-2 {:<br>Numeric}                                                | Numeric     |
| %CHECKR   | Character, Graphic, or UCS-2 {:<br>Numeric}                                                | Numeric     |
| %DATE     | {Character, Numeric, or Timestamp {:<br>Date Format}}                                      | Date        |

## Data Types

Table 65. Types Supported for Built-in Functions (continued)

| Operation | Operands                                                                                                | Result Type                               |
|-----------|---------------------------------------------------------------------------------------------------------|-------------------------------------------|
| %DAYS     | Numeric                                                                                                 | Numeric (duration)                        |
| %DEC      | Character : Numeric constant : Numeric constant                                                         | Numeric (packed)                          |
| %DEC      | Numeric {: Numeric constant : Numeric constant}                                                         | Numeric (packed)                          |
| # %DEC    | Date, time or timestamp {: format}                                                                      | Numeric (packed)                          |
| %DECH     | Character : Numeric constant : Numeric constant                                                         | Numeric (packed)                          |
| %DECH     | Numeric : Numeric constant : Numeric constant                                                           | Numeric (packed)                          |
| %DECPOS   | Numeric                                                                                                 | Numeric (unsigned)                        |
| %DIFF     | Date, Time, or Timestamp : Date, Time, or Timestamp : Unit                                              | Numeric (duration) (compatible with both) |
| %DIV      | Numeric : Numeric                                                                                       | Numeric                                   |
| %EDITC    | Non-float Numeric : Character Constant of Length 1<br>{:*CURSYM   *ASTFILL   character currency symbol} | Character (fixed length)                  |
| %EDITFLT  | Numeric                                                                                                 | Character (fixed length)                  |
| %EDITW    | Non-float Numeric : Character Constant                                                                  | Character (fixed length)                  |
| %EOF      | {File name}                                                                                             | Indicator                                 |
| %EQUAL    | {File name}                                                                                             | Indicator                                 |
| %ERROR    |                                                                                                         | Indicator                                 |
| %FLOAT    | Character                                                                                               | Numeric (float)                           |
| %FLOAT    | Numeric                                                                                                 | Numeric (float)                           |
| %FOUND    | {File name}                                                                                             | Indicator                                 |
| %GRAPH    | Character, Graphic, or UCS-2 {: ccsid}                                                                  | Graphic                                   |
| %HOURS    | Numeric                                                                                                 | Numeric (duration)                        |
| %INT      | Character                                                                                               | Numeric (integer)                         |
| %INT      | Numeric                                                                                                 | Numeric (integer)                         |
| %INTH     | Character                                                                                               | Numeric (integer)                         |
| %INTH     | Numeric                                                                                                 | Numeric (integer)                         |
| %LEN      | Any                                                                                                     | Numeric (unsigned)                        |
| %LOOKUPxx | Any : Any array {: Numeric {: Numeric}}                                                                 | Numeric                                   |
| %MINUTES  | Numeric                                                                                                 | Numeric (duration)                        |
| %MONTHS   | Numeric                                                                                                 | Numeric (duration)                        |
| %MSECONDS | Numeric                                                                                                 | Numeric (duration)                        |
| %OCCUR    | Multiple Occurrence Data Structure                                                                      | Multiple Occurrence Data Structure        |
| %OPEN     | File name                                                                                               | Indicator                                 |
| %PARMS    |                                                                                                         | Numeric (integer)                         |
| %REALLOC  | Pointer : Numeric                                                                                       | Pointer                                   |
| %REM      | Numeric : Numeric                                                                                       | Numeric                                   |
| %REPLACE  | Character : Character {: Numeric {: Numeric}}                                                           | Character                                 |
| %REPLACE  | Graphic : Graphic {: Numeric {: Numeric}}                                                               | Graphic                                   |
| %REPLACE  | UCS-2 : UCS-2 {: Numeric {: Numeric}}                                                                   | UCS-2                                     |
| %SCAN     | Character : Character {: Numeric}                                                                       | Numeric (unsigned)                        |

Table 65. Types Supported for Built-in Functions (continued)

| Operation                                                                                                                                                        | Operands                                                                                                | Result Type                      |
|------------------------------------------------------------------------------------------------------------------------------------------------------------------|---------------------------------------------------------------------------------------------------------|----------------------------------|
| %SCAN                                                                                                                                                            | Graphic : Graphic { : Numeric}                                                                          | Numeric (unsigned)               |
| %SCAN                                                                                                                                                            | UCS-2 : UCS-2 { : Numeric}                                                                              | Numeric (unsigned)               |
| %SECONDS                                                                                                                                                         | Numeric                                                                                                 | Numeric (duration)               |
| %SHUTDOWN                                                                                                                                                        |                                                                                                         | Indicator                        |
| %SQRT                                                                                                                                                            | Numeric                                                                                                 | Numeric                          |
| %STATUS                                                                                                                                                          | {File name}                                                                                             | Numeric (zoned decimal)          |
| %STR                                                                                                                                                             | Basing Pointer { : Numeric}                                                                             | Character                        |
| <b>Note:</b> When %STR appears on the left-hand side of an expression, the second operand is required.                                                           |                                                                                                         |                                  |
| # %SUBARR                                                                                                                                                        | Any: Numeric { : Numeric}                                                                               | Any (same type as first operand) |
| %SUBDT                                                                                                                                                           | Date, Time, or Timestamp : Unit                                                                         | Numeric                          |
| %SUBST                                                                                                                                                           | Character : Numeric { : Numeric}                                                                        | Character                        |
| %SUBST                                                                                                                                                           | Graphic : Numeric { : Numeric}                                                                          | Graphic                          |
| %SUBST                                                                                                                                                           | UCS-2 : Numeric { : Numeric}                                                                            | UCS-2                            |
| %THIS                                                                                                                                                            |                                                                                                         | Object                           |
| %TIME                                                                                                                                                            | {Character, Numeric, or Timestamp { : Time Format}}                                                     | Time                             |
| %TIMESTAMP                                                                                                                                                       | {Character, Numeric, or Date { : Timestamp Format}}                                                     | Timestamp                        |
| %TLOOKUPxx                                                                                                                                                       | Any table: Any table { : Any}                                                                           | Indicator                        |
| # %TRIM                                                                                                                                                          | Character { : Character }                                                                               | Character                        |
| # %TRIM                                                                                                                                                          | Graphic { : Graphic}                                                                                    | Graphic                          |
| # %TRIM                                                                                                                                                          | UCS-2 { : UCS-2 }                                                                                       | UCS-2                            |
| # %TRIML                                                                                                                                                         | Character { : Character }                                                                               | Character                        |
| # %TRIML                                                                                                                                                         | Graphic { : Graphic}                                                                                    | Graphic                          |
| # %TRIML                                                                                                                                                         | UCS-2 { : UCS-2 }                                                                                       | UCS-2                            |
| # %TRIMR                                                                                                                                                         | Character { : Character }                                                                               | Character                        |
| # %TRIMR                                                                                                                                                         | Graphic { : Graphic}                                                                                    | Graphic                          |
| # %TRIMR                                                                                                                                                         | UCS-2 { : UCS-2 }                                                                                       | UCS-2                            |
| %UCS2                                                                                                                                                            | Character, Graphic, or UCS-2 { : ccsid}                                                                 | Varying length UCS-2 value       |
| %UNS                                                                                                                                                             | Character                                                                                               | Numeric (unsigned)               |
| %UNS                                                                                                                                                             | Numeric                                                                                                 | Numeric (unsigned)               |
| %UNSH                                                                                                                                                            | Character                                                                                               | Numeric (unsigned)               |
| %UNSH                                                                                                                                                            | Numeric                                                                                                 | Numeric (unsigned)               |
| %XFOOT                                                                                                                                                           | Numeric                                                                                                 | Numeric                          |
| %XLATE                                                                                                                                                           | Character, Graphic, or UCS-2 : Character, Graphic, or UCS-2 : Character, Graphic, or UCS-2 { : Numeric} | Character, Graphic, or UCS-2     |
| %YEARS                                                                                                                                                           | Numeric                                                                                                 | Numeric (duration)               |
| <b>Note:</b> For the following built-in functions, arguments must be literals, named constants or variables.                                                     |                                                                                                         |                                  |
| %PADDR                                                                                                                                                           | Character                                                                                               | Procedure or prototype pointer   |
| %SIZE                                                                                                                                                            | Any { : *ALL}                                                                                           | Numeric (unsigned)               |
| <b>Note:</b> For the following built-in functions, arguments must be variables. However, if an array index is specified, it may be any valid numeric expression. |                                                                                                         |                                  |

## Data Types

Table 65. Types Supported for Built-in Functions (continued)

| Operation                                                                                                                                                          | Operands                           | Result Type        |
|--------------------------------------------------------------------------------------------------------------------------------------------------------------------|------------------------------------|--------------------|
| %ADDR                                                                                                                                                              | Any                                | Basing pointer     |
| %ELEM                                                                                                                                                              | Any                                | Numeric (unsigned) |
| %NULLIND                                                                                                                                                           | Any                                | Indicator          |
| <b>Note:</b> The following built-in functions are not true built-in functions in that they do not return a value. They are used in some free-form file operations. |                                    |                    |
| %FIELDS                                                                                                                                                            | Any{: Any {: Any ...}              | Not Applicable     |
| %HANDLER                                                                                                                                                           | Prototype name : Any               | Not Applicable     |
| %KDS                                                                                                                                                               | Data structure {: numeric }        | Not Applicable     |
| %XML                                                                                                                                                               | Character or UCS-2 { : Character } | Not Applicable     |

### Format of Numeric Intermediate Results

For binary operations involving numeric fields, the format of the intermediate result depends on the format of the operands.

#### For the operators +, -, and \*:

- If at least one operand has a float format, the result is float format.
- Otherwise, if at least one operand has packed-decimal, zoned-decimal, or binary format, the result has packed-decimal format.
- Otherwise, if at least one operand has integer format, the result has integer format.
- Otherwise, the result has unsigned format.
- For numeric literals that are not in float format:
  - If the literal is within the range of an unsigned integer, the literal is assumed to be an unsigned integer.
  - Otherwise, if the literal is within the range of an integer, the literal is assumed to be an integer.
  - Otherwise, the literal is assumed to be packed decimal.

#### For the / operator:

If one operand is float or the FLTDIV keyword is specified on the control specification, then the result of the / operator is float. Otherwise the result is packed-decimal.

#### For the \*\* operator:

The result is represented in float format.

---

## Precision Rules for Numeric Operations

Unlike the fixed-form operation codes where you must always specify the result of each individual operation, RPG must determine the format and precision of the result of each operation within an expression.

If an operation has a result of format float, integer, or unsigned the precision is the maximum size for that format. Integer and unsigned operations produce 4-byte values and float operations produce 8-byte values.

However, if the operation has a packed-decimal, zoned decimal, or binary format, the precision of the result depends on the precisions of the operands.

It is important to be aware of the precision rules for decimal operations since even a relatively simple expression may have a result that may not be what you expect. For example, if the two operands of a multiplication are large enough, the result of the multiplication will have zero decimal places. If you are multiplying two 40 digit numbers, ideally you would need a 80 digit result to hold all possible results of the multiplication. However, since RPG supports numeric values only up to 63 digits, the result is adjusted to 63 digits. In this case, as many as 17 decimal digits are dropped from the result.

#  
#  
#

There are two sets of precision rules that you can use to control the sizes of intermediate values:

1. The default rules give you intermediate results that are as large as possible in order to minimize the possibility of numeric overflow. Unfortunately, in certain cases, this may yield results with zero decimal places if the result is very large.
2. The "Result Decimal Positions" precision rule works the same as the default rule except that if the statement involves an assignment to a numeric variable or a conversion to a specific decimal precision, the number of decimal positions of any intermediate result is never reduced below the desired result decimal places.

In practice, you don't have to worry about the exact precisions if you examine the compile listing when coding numeric expressions. A diagnostic message indicates that decimal positions are being dropped in an intermediate result. If there is an assignment involved in the expression, you can ensure that the decimal positions are kept by using the "Result Decimal Positions" precision rule for the statement by coding operation code extender (R).

If the "Result Decimal Position" precision rule cannot be used (say, in a relational expression), built-in function %DEC can be used to convert the result of a sub-expression to a smaller precision which may prevent the decimal positions from being lost.

### Using the Default Precision Rules

Using the default precision rule, the precision of a decimal intermediate in an expression is computed to minimize the possibility of numeric overflow. However, if the expression involves several operations on large decimal numbers, the intermediates may end up with zero decimal positions. (Especially, if the expression has two or more nested divisions.) This may not be what the programmer expects, especially in an assignment.

When determining the precision of a decimal intermediate, two steps occur:

1. The desired or "natural" precision of the result is computed.
2. If the natural precision is greater than 63 digits, the precision is adjusted to fit in 63 digits. This normally involves first reducing the number of decimal positions, and then if necessary, reducing the total number of digits of the intermediate.

This behaviour is the default and can be specified for an entire module (using control specification keyword EXPROPTS(\*MAXDIGITS) or for single free-form expressions (using operation code extender M).

## Precision Rules for Numeric Operations

### Precision of Intermediate Results

Table 66 describes the default precision rules in more detail.

Table 66. Precision of Intermediate Results

| Operation                                                                                                                                                                                                                                                                                                   | Result Precision                                                                         |
|-------------------------------------------------------------------------------------------------------------------------------------------------------------------------------------------------------------------------------------------------------------------------------------------------------------|------------------------------------------------------------------------------------------|
| <b>Note:</b> The following operations produce a numeric result. L1 and L2 are the number of digits of the two operands. Lr is the number of digits of the result. D1 and D2 are the number of decimal places of the two operands. Dr is the number of decimal places of the result. T is a temporary value. |                                                                                          |
| N1+N2                                                                                                                                                                                                                                                                                                       | $T = \min(\max(L1-D1, L2-D2)+1, 63)$<br>$Dr = \min(\max(D1, D2), 63-t)$<br>$Lr = t + Dr$ |
| N1-N2                                                                                                                                                                                                                                                                                                       | $T = \min(\max(L1-D1, L2-D2)+1, 63)$<br>$Dr = \min(\max(D1, D2), 63-t)$<br>$Lr = t + Dr$ |
| N1*N2                                                                                                                                                                                                                                                                                                       | $Lr = \min(L1+L2, 63)$<br>$Dr = \min(D1+D2, 63-\min((L1-D1)+(L2-D2), 63))$               |
| N1/N2                                                                                                                                                                                                                                                                                                       | $Lr = 63$<br>$Dr = \max(63-((L1-D1)+D2), 0)$                                             |
| N1**N2                                                                                                                                                                                                                                                                                                      | Double float                                                                             |
| <b>Note:</b> The following operations produce a character result. Ln represents the length of the operand in number of characters.                                                                                                                                                                          |                                                                                          |
| C1+C2                                                                                                                                                                                                                                                                                                       | $Lr = \min(L1+L2, 65535)$                                                                |
| <b>Note:</b> The following operations produce a DBCS result. Ln represents the length of the operand in number of DBCS characters.                                                                                                                                                                          |                                                                                          |
| D1+D2                                                                                                                                                                                                                                                                                                       | $Lr = \min(L1+L2, 16383)$                                                                |
| <b>Note:</b> The following operations produce a result of type character with subtype indicator. The result is always an indicator value (1 character).                                                                                                                                                     |                                                                                          |
| V1=V2                                                                                                                                                                                                                                                                                                       | 1 (indicator)                                                                            |
| V1>=V2                                                                                                                                                                                                                                                                                                      | 1 (indicator)                                                                            |
| V1>V2                                                                                                                                                                                                                                                                                                       | 1 (indicator)                                                                            |
| V1<=V2                                                                                                                                                                                                                                                                                                      | 1 (indicator)                                                                            |
| V1<V2                                                                                                                                                                                                                                                                                                       | 1 (indicator)                                                                            |
| V1<>V2                                                                                                                                                                                                                                                                                                      | 1 (indicator)                                                                            |
| V1 AND V2                                                                                                                                                                                                                                                                                                   | 1 (indicator)                                                                            |
| V1 OR V2                                                                                                                                                                                                                                                                                                    | 1 (indicator)                                                                            |

### Example of Default Precision Rules

This example shows how the default precision rules work.





## Precision Rules for Numeric Operations

```
= max(63-(13+54),0)
= max(-4,0)
**** NEGATIVE NUMBER TO WHICH FACTOR IS SCALED **** = 0
#
```

# To avoid this problem, you can change the above expression so that the first evaluation is a multiplication rather than a division, that is, `FLD3 * 0.01` or use the `%DEC` built-in function to set the sub-expression `FLD3/100: %DEC(FLD3/100 : 15 : 4)` or use operation extender (R) to ensure that the number of decimal positions never falls below 4.

## Using the "Result Decimal Position" Precision Rules

The "Result Decimal Position" precision rule means that the precision of a decimal intermediate will be computed such that the number of decimal places will never be reduced smaller than the number of decimal positions of the result of the assignment. This is specified by:

1. **EXPROPTS(\*RESDECPOS)** on the Control Specification. Use this to specify this behaviour for an entire module.
2. Operation code extender **R** specified for a free-form operation.

Result Decimal Position rules apply in the following circumstances:

1. Result Decimal Position precision rules apply only to packed decimal intermediate results. This behaviour does not apply to the intermediate results of operations that have integer, unsigned, or float results.
2. Result Decimal Position precision rules apply only where there is an assignment (either explicit or implicit) to a decimal target (packed, zoned, or binary). This can occur in the following situations:
  - a. For an **EVAL** statement, the minimum decimal places is given by the decimal positions of the target of the assignment and applies to the expression on the right-hand side of the assignment. If half-adjust also applies to the statement, one extra digit is added to the minimum decimal positions (provided that the minimum is less than 63).
  - b. For a **RETURN** statement, the minimum decimal places is given by the decimal positions of the return value defined on the **PI** specification for the procedure. If half-adjust also applies to the statement, one extra digit is added to the minimum decimal positions (provided that the minimum is less than 63).
  - c. For a **VALUE** or **CONST** parameter, the minimum decimal positions is given by the decimal positions of the formal parameter (specified on the procedure prototype) and applies to the expression specified as the passed parameter.
  - d. For built-in function **%DEC** and **%DECH** with explicit length and decimal positions specified, the minimum decimal positions is given by the third parameter of the built-in function and applies to the expression specified as the first parameter.

The minimum number of decimal positions applies to the entire sub-expression unless overridden by another of the above operations. If half-adjust is specified (either as the **H** operation code extender, or by built-in function **%DECH**), the number of decimal positions of the intermediate result is never reduced below  $N+1$ , where  $N$  is the number of decimal positions of the result.

3. The Result Decimal Position rules do not normally apply to conditional expressions since there is no corresponding result. (If the comparisons must be performed to a particular precision, then **%DEC** or **%DECH** must be used on the two arguments.)



## Short Circuit Evaluation

For operation AND, if the first operand is false, then the second operand is not evaluated. Likewise, for operation OR, if the first operand is true, the second operand is not evaluated.

There are two implications of this behaviour. First, an array index can be both tested and used within the same expression. The expression

```
I<=%ELEM(ARRAY) AND I>0 AND ARRAY(I)>10
```

will never result in an array indexing exception.

The second implication is that if the second operand is a call to a user-defined function, the function will not be called. This is important if the function changes the value of a parameter or a global variable.

---

## Order of Evaluation

The order of evaluation of operands within an expression is not guaranteed. Therefore, if a variable is used twice anywhere within an expression, and there is the possibility of side effects, then the results may not be the expected ones.

For example, consider the source shown in Figure 169, where A is a variable, and FN is a procedure that modifies A. There are two occurrences of A in the expression portion of the second EVAL operation. *If the left-hand side (operand 1) of the addition operation is evaluated first*, X is assigned the value 17, (5 + FN(5) = 5 + 12 = 17). *If the right-hand side (operand 2) of the addition operation is evaluated first*, X is assigned the value 18, (6 + FN(5) = 6 + 12 = 18).

```
*..1....+....2....+....3....+....4....+....5....+....6....+....7....+....
* A is a variable. FN is procedure that modifies A.
/free
 a = 5;
 x = a + fn(a);
/end-free

P fn B
D fn PI 5P 0
D parm 5P 0
/free
 parm = parm + 1;
 return 2 * parm;
/end-free
P fn E
```

Figure 169. Sample coding of a call with side effects

---

## Chapter 22. Built-in Functions

This chapter describes, in alphabetical order, each built-in function.

---

### **%ABS (Absolute Value of Expression)**

`%ABS(numeric expression)`

`%ABS` returns the absolute value of the numeric expression specified as the parameter. If the value of the numeric expression is non-negative, the value is returned unchanged. If the value is negative, the value returned is the value of the expression but with the negative sign removed.

`%ABS` may be used either in expressions or as parameters to keywords. When used with keywords, the operand must be a numeric literal, a constant name representing a numeric value, or a built-in function with a numeric value known at compile-time.

For more information, see “Arithmetic Operations” on page 398 or “Built-in Functions” on page 394.

```
*..1....+....2....+....3....+....4....+....5....+....6....+....7....+....
D*Name ++++++ETDsFrom+++To/L+++IDc.Keywords+++++
D f8 s 8f inz (-1)
D i10 s 10i 0 inz (-123)
D p7 s 7p 3 inz (-1234.567)

/FREE
 f8 = %abs (f8); // "f8" is now 1.
 i10 = %abs (i10 - 321); // "i10" is now 444.
 p7 = %abs (p7); // "p7" is now 1234.567.
/END-FREE
```

Figure 170. `%ABS` Example

## %ADDR (Get Address of Variable)

---

### %ADDR (Get Address of Variable)

`%ADDR(variable)`  
`%ADDR(variable(index))`  
`%ADDR(variable(expression))`

%ADDR returns a value of type basing pointer. The value is the address of the specified variable. It may only be compared with and assigned to items of type basing pointer.

If %ADDR with an array index parameter is specified as parameter for definition specification keywords INZ or CONST, the array index must be known at compile-time. The index must be either a numeric literal or a numeric constant.

In an EVAL operation where the result of the assignment is an array with no index, %ADDR on the right hand side of the assignment operator has a different meaning depending on the argument for the %ADDR. If the argument for %ADDR is an array name without an index and the result is an array name, each element of the result array will contain the address of the beginning of the argument array. If the argument for %ADDR is an array name with an index of (\*), then each element of the result array will contain the address of the corresponding element in the argument array. This is illustrated in Figure 171 on page 457.

If the variable specified as parameter is a table, multiple occurrence data structure, or subfield of a multiple occurrence data structure, the address will be the address of the current table index or occurrence number.

If the variable is based, %ADDR returns the value of the basing pointer for the variable. If the variable is a subfield of a based data structure, the value of %ADDR is the value of the basing pointer plus the offset of the subfield.

If the variable is specified as a PARM of the \*ENTRY PLIST, %ADDR returns the address passed to the program by the caller.

# When the argument of %ADDR cannot be modified, %ADDR can only be used in  
# a comparison operation. An example of an argument that cannot be modified is a  
# read-only reference parameter (CONST keyword specified on the Procedure  
# Interface).

```

*..1....+....2....+....3....+....4....+....5....+....6....+....7...+....
D*Name+++++++ETDsFrom+++To/L+++IDc.Keywords+++++++
*
* The following set of definitions is valid since the array
* index has a compile-time value
*
D ARRAY S 20A DIM (100)
* Set the pointer to the address of the seventh element of the array.
D PTR S * INZ (%ADDR (ARRAY (SEVEN)))
D SEVEN C CONST (7)
*
D DS1 DS OCCURS (100)D 20A
D SUBF 10A
D 30A
D CHAR10 S 10A BASED (P)
D PARRAY S * DIM(100)

/FREE
%OCCUR(DS1) = 23;
SUBF = *ALL'abcd';
P = %ADDR (SUBF);
IF CHAR10 = SUBF;
 // This condition is true.
ENDIF;
IF %ADDR (CHAR10) = %ADDR (SUBF);
 // This condition is also true.
ENDIF;
// The following statement also changes the value of SUBF.
CHAR10 = *ALL'efgh';
IF CHAR10 = SUBF;
 // This condition is still true.
ENDIF;
//-----
%OCCUR(DS1) = 24;
IF CHAR10 = SUBF;
 // This condition is no longer true.
ENDIF;
//-----
// The address of an array element is taken using an expression
// as the array index.
P = %ADDR (ARRAY (X + 10));
//-----
// Each element of the array PARRAY contains the address of the
// first element of the array ARRAY.
PARRAY = %ADDR (ARRAY);
// Each element of the array PARRAY contains the address of the
// corresponding element of the array ARRAY.
PARRAY = %ADDR (ARRAY (*));

// The first three elements of the array PARRAY
// contain the addresses of the first three elements
// of the array ARRAY.
%SUBARR (PARRAY : 1 : 3) = %ADDR (ARRAY (*));
/END-FREE

```

Figure 171. %ADDR Example

## %ALLOC (Allocate Storage)

---

### %ALLOC (Allocate Storage)

`%ALLOC(num)`

`%ALLOC` returns a pointer to newly allocated heap storage of the length specified. The newly allocated storage is uninitialized.

The parameter must be a non-float numeric value with zero decimal places. The length specified must be between 1 and 16776704.

For more information, see “Memory Management Operations” on page 420.

If the operation cannot complete successfully, exception 00425 or 00426 is issued.

```
*..1....+....2....+....3....+....4....+....5....+....6....+....7....+....
/FREE
 // Allocate an area of 200 bytes
 pointer = %ALLOC(200);
/END-FREE
```

Figure 172. %ALLOC Example



---

**%BITAND (Bitwise AND Operation)**

`%BITAND(expr:expr{:expr...})`

`%BITAND` returns the bit-wise ANDing of the bits of all the arguments. That is, the result bit is ON when all of the corresponding bits in the arguments are ON, and OFF otherwise.

The arguments to this built-in function can be either character or numeric. For numeric arguments, if they are not integer or unsigned, they are first converted to integer. If the value does not fit in an 8-byte integer, a numeric overflow exception is issued.

`%BITAND` can have two or more arguments. All arguments must be the same type, either character or numeric. The result type is the same as the types of the arguments. For numeric arguments, the result is unsigned if all arguments are unsigned, and integer otherwise.

The length is the length of the largest operand. If the arguments have different lengths, they are padded on the left with bit zeros for numeric arguments. Shorter character arguments are padded on the right with bit ones.

`%BITAND` can be coded in any expression. It can also be coded as the argument to a File or Definition Specification keyword if all arguments are known at compile-time. If all arguments of this built-in function are hex literals, the compiler produces a constant-folded result that is a hex literal.

Please see Figure 173 on page 463, Figure 174 on page 463, and Figure 175 on page 464 for examples demonstrating the use of `%BITAND`.

For more information, see “Bit Operations” on page 403 or “Built-in Functions” on page 394.

## **%BITNOT (Invert Bits)**

---

### **%BITNOT (Invert Bits)**

`%BITNOT(expr)`

`%BITNOT` returns the bit-wise inverse of the bits of the argument. That is, the result bit is ON when the corresponding bit in the argument is OFF, and OFF otherwise.

The argument to this built-in function can be either character or numeric. For numeric arguments, if they are not integer or unsigned, they are first converted to integer. If the value does not fit in an 8-byte integer, a numeric overflow exception is issued.

`%BITNOT` takes just one argument. The result type is the same as the types of the arguments. For numeric arguments, the result is unsigned if all arguments are unsigned, and integer otherwise.

The length is the length of the largest operand. If the arguments have different lengths, they are padded on the left with bit zeros for numeric arguments.

`%BITNOT` can be coded in any expression. It can also be coded as the argument to a File or Definition Specification keyword if all arguments are known at compile-time. If all arguments of this built-in function are hex literals, the compiler produces a constant-folded result that is a hex literal.

Please see Figure 173 on page 463 for an example demonstrating the use of `%BITNOT`.

For more information, see “Bit Operations” on page 403 or “Built-in Functions” on page 394.

---

**%BITOR (Bitwise OR Operation)**

`%BITOR(expr:expr{:expr...})`

`%BITOR` returns the bit-wise ORing of the bits of all the arguments. That is, the result bit is ON when any of the corresponding bits in the arguments are ON, and OFF otherwise.

The arguments to this built-in function can be either character or numeric. For numeric arguments, if they are not integer or unsigned, they are first converted to integer. If the value does not fit in an 8-byte integer, a numeric overflow exception is issued.

`%BITOR` can have two or more arguments. All arguments must be the same type, either character or numeric. However, when coded as keyword parameters, these two BIFs can have only two arguments. The result type is the same as the types of the arguments. For numeric arguments, the result is unsigned if all arguments are unsigned, and integer otherwise.

The length is the length of the largest operand. If the arguments have different lengths, they are padded on the left with bit zeros for numeric arguments. Shorter character arguments are padded on the right with bit zeros.

`%BITOR` can be coded in any expression. It can also be coded as the argument to a File or Definition Specification keyword if all arguments are known at compile-time. If all arguments of this built-in function are hex literals, the compiler produces a constant-folded result that is a hex literal.

Please see Figure 173 on page 463 for an example demonstrating the use of `%BITOR`.

For more information, see “Bit Operations” on page 403 or “Built-in Functions” on page 394.

## **%BITXOR (Bitwise Exclusive-OR Operation)**

---

### **%BITXOR (Bitwise Exclusive-OR Operation)**

`%BITXOR(expr: expr)`

`%BITXOR` returns the bit-wise exclusive ORing of the bits of the two arguments. That is, the result bit is ON when just one of the corresponding bits in the arguments are ON, and OFF otherwise.

The argument to this built-in function can be either character or numeric. For numeric arguments, if they are not integer or unsigned, they are first converted to integer. If the value does not fit in an 8-byte integer, a numeric overflow exception is issued.

`%BITXOR` takes exactly two arguments. The result type is the same as the types of the arguments. For numeric arguments, the result is unsigned if all arguments are unsigned, and integer otherwise.

The length is the length of the largest operand. If the arguments have different lengths, they are padded on the left with bit zeros for numeric arguments. Shorter character arguments are padded on the right with bit zeros .

`%BITXOR` can be coded in any expression. It can also be coded as the argument to a File or Definition Specification keyword if all arguments are known at compile-time. If all arguments of this built-in function are hex literals, the compiler produces a constant-folded result that is a hex literal.

For more information, see “Bit Operations” on page 403 or “Built-in Functions” on page 394.

## Examples of Bit Operations

```
D const c x'0007'
D ch1 s 4a inz(%BITNOT(const))
* ch1 is initialized to x'FFF84040'
D num1 s 5i 0 inz(%BITXOR(const:x'000F'))
* num is initialized to x'0008', or 8

D char2a s 2a
D char2b s 2a
D uA s 5u 0
D uB s 3u 0
D uC s 5u 0
D uD s 5u 0

C eval char2a = x'FE51'
C eval char2b = %BITAND(char10a : x'0F0F')
* operand1 = b'1111 1110 0101 0001'
* operand2 = b'0000 1111 0000 1111'
* bitwise AND: 0000 1110 0000 0001
* char2b = x'0E01'

C eval uA = x'0123'
C eval uB = x'AB'
C eval uC = x'8816'
C eval uD = %BITOR(uA : uB : uC)
* operand1 = b'0000 0001 0010 0011'
* operand2 = b'0000 0000 1010 1011' (fill with x'00')
* operand3 = b'1000 1000 0001 0110'
* bitwise OR: 1000 1001 1011 1111
* uD = x'89BF'
```

Figure 173. Using Bit Operations

```
* This example shows how to duplicate the function of TESTB using %BITAND
DName+++++ETDsFrom+++To/L+++IDc.Keywords+++++
D fld1 s 1a
CL0N01Factor1+++++Opcode(E)+Factor2+++++Result+++++Len++D+HiLoEq
C testb x'F1' fld1 010203
* Testing bits 1111 0001
* If FLD1 = x'00' (0000 0000), the indicators have the values '1' '0' '0'
* (all tested bits are off)
* If FLD1 = x'15' (0001 0101), the indicators have the values '0' '1' '0'
* (some tested bits are off and some are on)
* If FLD1 = x'F1' (1111 0001), the indicators have the values '0' '0' '1'
* (all tested bits are on)
/free
// this code performs the equivalent of the TESTB operation above

// test if all the "1" bits in x'F1' are off in FLD1
*in01 = %bitand(fld1 : x'F1') = x'00';

// test if some of the "1" bits in x'F1' are on
// and some are off in FLD1
*in02 = %bitand(fld1 : x'F1') <> x'00'
 and %bitand(fld1 : x'F1') <> x'F1';

// test if all the "1" bits in x'F1' are on in FLD1
*in03 = %bitand(fld1 : x'F1') = x'F1';
/end-free
```

Figure 174. Deriving TESTB Functionality from %BITAND

## %BITXOR (Bitwise Exclusive-OR Operation)

```
* This example shows how to duplicate the function of
* BITON and BITOFF using %BITAND, %BITNOT, and %BITOR
DName+++++ETDsFrom+++To/L+++IDc.Keywords+++++
D fld1 s 1a inz(x'01')
D fld2 s 1a inz(x'FF')
CLON01Factor1+++++Opcod(E)+Factor2+++++Result+++++Len++D+HiLoEq
C biton x'F4' fld1
* fld1 has an initial value of x'01' (0000 0001)
* The 1 bits in x'F4' (1111 0100) are set on
* fld1 has a final value of x'F5' (1111 0101)
C bitoff x'F1' fld2
* fld2 has an initial value of x'FF' (1111 1111)
* The 1 bits in x'F1' (1111 0001) are set off
* fld2 has a final value of x'0E' (0000 1110)
/free
 // this code performs the equivalent of the
 // BITON and BITOFF operations above
 // Set on the "1" bits of x'F4' in FLD1
 fld1 = %bitor(fld1 : x'F4');
 // Set off the "1" bits of x'F1' in FLD2
 fld2 = %bitand(fld2 : %bitnot(x'F1'));

 /end-free
```

Figure 175. BITON/BITOFF Functionality Using Built In Functions



## %CHAR (Convert to Character Data)

---

### %CHAR (Convert to Character Data)

`%CHAR(expression{:format})`

%CHAR converts the value of the expression from graphic, UCS-2, numeric, date, time or timestamp data to type character. The converted value remains unchanged, but is returned in a format that is compatible with character data.

If the parameter is a constant, the conversion will be done at compile time.

If a UCS-2 conversion results in substitution characters, a warning message will be given in the compiler listing if the parameter is a constant. Otherwise, status 00050 will be set at run time but no error message will be given.

For graphic data, the value returned includes the shift-in and shift-out characters. For example, if a 5 character graphic field is converted, the returned value is 12 characters (10 bytes of graphic data plus the two shift characters). If the value of the expression has a variable length, the value returned is in varying format.

For date, time, or timestamp data, the second parameter contains the date, time, or timestamp format to which the returned character data is converted. The value returned will include separator characters unless the format specified is followed by a zero.

For numeric data, if the value of the expression is float, the result will be in float format (for example '+1.125000000000000E+020'). Otherwise, the result will be in decimal format with a leading negative sign if the value is negative, and without leading zeros. The character used for any decimal point will be the character indicated by the control specification DECEDIT keyword (default is '.'). For example, %CHAR of a packed(7,3) expression might return the value '-1.234'.

For more information, see "Conversion Operations" on page 410 or "Built-in Functions" on page 394.



## %CHAR (Convert to Character Data)

```
*..1....+....2....+....3....+....4....+....5....+....6....+....7....+....
D Name S 20G VARYING INZ(G'oXXYYZZi')
D date S D INZ(D'1997/02/03')
D time S T INZ(T'12:23:34')
D result S 100A VARYING
D points S 10i 0 INZ(234)
```

```
*-----
* To format the time and date with the default formats, use this:
*-----
```

```
/FREE
```

```
result = 'It is ' + %CHAR(time) + ' on ' + %CHAR(date);
// If the default formats are both *USA,
// result = 'It is 12:23 PM on 02/03/1997'
```

```
//-----
// To format the time and date with the job formats, use this:
//-----
```

```
result = 'It is ' + %CHAR(time : *jobrun)
 + ' on ' + %CHAR(date : *jobrun);
// If the job date format is *MDY- and the time separator is '.',
// then the result = 'It is 12.23.34 on 97-02-03'
```

```
//-----
// To format the time and date with specific formats, use this:
//-----
```

```
result = 'It is ' + %CHAR(time : *hms:)
 + ' on ' + %CHAR(date : *iso);
// result = 'It is 12:23:34 on 1997-02-03'
//
```

```
//-----
// You can use %subst with the %char result if you only want
// part of the result
//-----
```

```
result = 'The time is now ' + %SUBST (%CHAR(time):1:5) + '.';
// result = 'The time is now 12:23.'
```

```
//-----
// Use %CHAR to convert a graphic value to character so it
// can be concatenated with a character value.
//-----
```

```
result = 'The customer's name is ' + %CHAR(Name) + '.';
// result = 'The customer's name is oXXYYZZi.'
```

```
//-----
// Use %CHAR to convert a number to character format:
//-----
```

```
result = 'You have ' + %char(points) + ' points.';
// result = 'You have 234 points.'
//
```

```
/END-FREE
```

**Note:** The graphic literal in this example is not a valid graphic literal. See “Graphic Format” on page 173 for more information.

Figure 177. %CHAR Examples

## %CHECK (Check Characters)

---

### %CHECK (Check Characters)

`%CHECK(comparator : base {: start})`

`%CHECK` returns the first position of the string *base* that contains a character that does not appear in string *comparator*. If all of the characters in *base* also appear in *comparator*, the function returns 0.

The check begins at the starting position and continues to the right until a character that is not contained in the comparator string is found. The starting position defaults to 1.

The first parameter must be of type character, graphic, or UCS-2, fixed or varying length. The second parameter must be the same type as the first parameter. The third parameter, if specified, must be a non-float numeric with zero decimal positions.

For more information, see “String Operations” on page 429 or “Built-in Functions” on page 394.

```

*.1....+....2....+....3....+....4....+....5....+....6....+....7....+....
*-----
* A string contains a series of numbers separated
* by blanks and/or commas.
* Use %CHECK to extract the numbers
*-----
D string s 50a varying
D C inz('12, 233 17, 1, 234')
D delimiters C ' , '
D digits C '0123456789'
D num S 50a varying
D pos S 10i 0
D len S 10i 0
D token s 50a varying

/free

// make sure the string ends with a delimiter
string = string + delimiters;

dou string = '';

// Find the beginning of the group of digits
pos = %check (delimiters : string);
if (pos = 0);
 leave;
endif;

// skip past the delimiters
string = %subst(string : pos);

// Find the length of the group of digits
len = %check (digits : string) - 1;

// Extract the group of digits
token = %subst(string : 1 : len);
dspy ' ' ' ' token;

// Skip past the digits
if (len < %len(string));
 string = %subst (string : len + 1);
endif;

enddo;

/end-free

```

*Figure 178. %CHECK Example*

See also Figure 180 on page 471.

## %CHECKR (Check Reverse)

### %CHECKR (Check Reverse)

```
%CHECKR(comparator : base {: start})
```

%CHECKR returns the last position of the string *base* that contains a character that does not appear in string *comparator*. If all of the characters in *base* also appear in *comparator*, the function returns 0.

The check begins at the starting position and continues to the left until a character that is not contained in the comparator string is found. The starting position defaults to the end of the string.

The first parameter must be of type character, graphic, or UCS-2, fixed or varying length. The second parameter must be the same type as the first parameter. The third parameter, if specified, must be a non-float numeric with zero decimal positions.

For more information, see “String Operations” on page 429 or “Built-in Functions” on page 394.

```
*.1....+....2....+....3....+....4....+....5....+....6....+....7....+....
*-----
* If a string is padded at the end with some
* character other than blanks, the characters
* cannot be removed using %TRIM.
* %CHECKR can be used for this by searching
* for the last character in the string that
* is not in the list of "pad characters".
*-----
D string1 s 50a varying
D inz('My *dog* Spot.* @ * @ *')
D string2 s 50a varying
D inz('someone@somewhere.com')
D padChars C ' *@'

/free

%len(string1) = %checkr(padChars:string1);
// %len(string1) is set to 14 (the position of the last character
// that is not in "padChars").

// string1 = 'My *dog* Spot.'

%len(string2) = %checkr(padChars:string2);
// %len(string2) is set to 21 (the position of the last character
// that is not in "padChars").

// string2 = 'someone@somewhere.com' (the string is not changed)

/end-free
```

Figure 179. %CHECKR Example

```
*.1....+....2....+....3....+....4....+....5....+....6....+....7...+....
*-----
* A string contains a numeric value, but it might
* be surrounded by blanks and asterisks and might be
* preceded by a currency symbol.
*-----
D string s 50a varying inz('$***12.345*** ')

/free
 // Find the position of the first character that is not one of '$*'
 numStart = %CHECK (' $*' : string);
 // = 6

 // Find the position of the last character that is not one of '*'
 numEnd = %CHECKR (' *' : string);
 // = 11

 // Extract the numeric string
 string = %SUBST(string : numStart : numEnd - numStart + 1);
 // = '12.345'

/end-free
```

Figure 180. %CHECK and %CHECKR Example

## %DATE (Convert to Date)

---

### %DATE (Convert to Date)

```
%DATE{(expression{:date-format})}
```

%DATE converts the value of the expression from character, numeric, or timestamp data to type date. The converted value remains unchanged, but is returned as a date.

The first parameter is the value to be converted. If you do not specify a value, %DATE returns the current system date.

The second parameter is the date format for character or numeric input. Regardless of the input format, the output is returned in \*ISO format.

For information on the input formats that can be used, see “Date Data Type” on page 195. If the date format is not specified for character or numeric input, the default value is either the format specified on the DATFMT control-specification keyword or \*ISO. For more information, see “DATFMT(fmt{separator})” on page 252.

If the first parameter is a timestamp, \*DATE, or UDATE, do not specify the second parameter. The system knows the format of the input in these cases.

For more information, see “Information Operations” on page 419 or “Built-in Functions” on page 394.

```
*. .1....+. .2....+. .3....+. .4....+. .5....+. .6....+. .7....+. .
/FREE

 string = '040596';
 date = %date(string:*MDY0);
 // date now contains d'1996-04-05'
/END-FREE
```

Figure 181. %DATE Example

---

**%DAYS (Number of Days)**

`%DAYS(number)`

`%DAYS` converts a number into a duration that can be added to a date or timestamp value.

`%DAYS` can only be the right-hand value in an addition or subtraction operation. The left-hand value must be a date or timestamp. The result is a date or timestamp value with the appropriate number of days added or subtracted. For a date, the resulting value is in \*ISO format.

For an example of date and time arithmetic operations, see Figure 209 on page 514.

For more information, see “Date Operations” on page 412 or “Built-in Functions” on page 394.

## %DEC (Convert to Packed Decimal Format)

---

### %DEC (Convert to Packed Decimal Format)

# %DEC(numeric or character expression{:precision:decimal places})  
%DEC(date time or timestamp expression {:format})

%DEC converts the value of the first parameter to decimal (packed) format.

#### Numeric or character expression

When the first parameter is a numeric or character expression, the result has *precision* digits and *decimal places* decimal positions. The precision and decimal places must be numeric literals, named constants that represent numeric literals, or built-in functions with a numeric value known at compile-time.

**Note:** %LEN and %DECPOS cannot be used directly for the second and third parameters of %DEC or %DECH, even if the values of %LEN and %DECPOS are constant. See Figure 206 on page 509 for an example using the length and decimal positions of a variable to control %DEC and %DECH.

Parameters *precision* and *decimal places* may be omitted if the type of expression is neither float nor character. If these parameters are omitted, the precision and decimal places are taken from the attributes of the numeric expression.

If the parameter is a character expression, the following rules apply:

- The sign is optional. It can be '+' or '-'. It can precede or follow the numeric data.
- The decimal point is optional. It can be either a period or a comma.
- Blanks are allowed anywhere in the data. For example, ' + 3 ' is a valid parameter.
- The second and third parameters are required.
- Floating point data, for example '1.2E6', is not allowed.
- If invalid numeric data is found, an exception occurs with status code 105.

See %DECH for examples using %DEC.

#### Date, time or timestamp expression

When the first parameter is a date time or timestamp expression, the optional format parameter specifies the format of the value returned. The converted decimal value will have the number of digits that a value of that format can have, and zero decimal positions. For example, if the first parameter is a date, and the format is \*YMD, the decimal value will have six digits.

If the format parameter is omitted, the format of the first parameter is used. See "DATFMT(fmt{separator})" on page 252 and "TIMFMT(fmt{separator})" on page 262.

Format \*USA is not allowed with a time expression. If the first parameter is a time value with a time-format of \*USA, the second format parameter for %DEC must be specified.

Figure 183 on page 476 shows an example of the %DEC built-in function.



## %DEC (Convert to Packed Decimal Format)

For more information, see “Conversion Operations” on page 410 or “Built-in Functions” on page 394.

```
D yyddd S 5S 0
D yyyyymmdd S 8P 0
D hhmmss S 6P 0
D numeric S 20S 0
D date S D inz(D'2003-06-27') DATFMT(*USA)
D time S T inz(T'09.25.59')
D timestamp S Z inz(Z'2003-06-27-09.25.59.123456'
/free

// Using the format of the first parameter

numeric = %dec(date); // numeric = 06272003
numeric = %dec(time); // numeric = 092559
numeric = %dec(timestamp); // numeric = 20030627092559123456

// Using the second parameter to specify the result format

yyddd = %dec(date : *jul); // yyddd = 03178
yyyyymmdd = %dec(date : *iso); // yyyyymmdd = 20030627
```

Figure 182. Using %DEC to convert dates, times and timestamps to numeric

## %DECH (Convert to Packed Decimal Format with Half Adjust)

### %DECH (Convert to Packed Decimal Format with Half Adjust)

%DECH(numeric or character expression :precision:decimal places )

%DECH is the same as %DEC except that if the expression is a decimal or float value, half adjust is applied to the value of the expression when converting to the desired precision. No message is issued if half adjust cannot be performed..

Unlike, %DEC, all three parameters are required.

For more information, see "Conversion Operations" on page 410 or "Built-in Functions" on page 394.

### %DECH Examples

```

*.1....+....2....+....3....+....4....+....5....+....6....+....7....+....
D*Name+++++++ETDsFrom+++To/L+++IDc.Keywords+++++++
D p7 s 7p 3 inz (1234.567)
D s9 s 9s 5 inz (73.73442)
D f8 s 8f inz (123.456789)
D c15a s 15a inz (' 123.456789 -')
D c15b s 15a inz (' + 9 , 8 7 6 ')
D result1 s 15p 5
D result2 s 15p 5
D result3 s 15p 5

/FREE

// using numeric parameters
 result1 = %dec (p7) + 0.011; // "result1" is now 1234.57800
 result2 = %dec (s9 : 5: 0); // "result2" is now 73.00000
 result3 = %dech (f8: 5: 2); // "result3" is now 123.46000
// using character parameters
 result1 = %dec (c15a: 5: 2); // "result1" is now -123.45
 result2 = %dech(c15b: 5: 2); // "result2" is now 9.88000
/END-FREE
```

Figure 183. Using Numeric and Character Parameters

## %DECH (Convert to Packed Decimal Format with Half Adjust)

```

* If the character data is known to contain non-numeric characters
* such as thousands separators (like 1,234,567) or leading
* asterisks and currency symbols (like $**1,234,567.89), some
* preprocessing is necessary to remove these characters from the
* data.

D data s 20a inz('$1,234,567.89')
D num s 21p 9
/free
// Use the %XLATE built-in function to replace any currency
// symbol, asterisks or thousands separators with blanks
num = %dech(%xlate('$*', ' ' : ' ' : data)
 : 21 : 9);
// If the currency symbol or thousands separator might
// vary at runtime, use variables to hold these values.
num = %dech(%xlate(cursym + '*' + thousandsSep : ' ' : data)
 : 21 : 9);
```

Figure 184. Handling Currency Symbols and Thousands Separators

## %DECPOS (Get Number of Decimal Positions)

---

## %DECPOS (Get Number of Decimal Positions)

%DECPOS(numeric expression)

%DECPOS returns the number of decimal positions of the numeric variable or expression. The value returned is a constant, and so may participate in constant folding.

The numeric expression must not be a float variable or expression.

```
*..1....+....2....+....3....+....4....+....5....+....6....+....7....+....
D*Name+++++ETDsFrom+++To/L+++IDc.Keywords+++++
D p7 s 7p 3 inz (8236.567)
D s9 s 9s 5 inz (23.73442)
D result1 s 5i 0
D result2 s 5i 0
D result3 s 5i 0

/FREE
 result1 = %decpos (p7); // "result1" is now 3.
 result2 = %decpos (s9); // "result2" is now 5.
 result3 = %decpos (p7 * s9); // "result3" is now 8.
/END-FREE
```

Figure 185. %DECPOS Example

See Figure 206 on page 509 for an example of %DECPOS with %LEN.

For more information, see “Size Operations” on page 429 or “Built-in Functions” on page 394.

---

### %DIFF (Difference Between Two Date, Time, or Timestamp Values)

`%DIFF(op1:op2:*MSECONDS|*SECONDS|*MINUTES|*HOURS|*DAYS|*MONTHS|*YEARS)`

`%DIFF(op1:op2:*MS|*S|*MN|*H|*D|*M|*Y)`

%DIFF produces the difference (duration) between two date or time values. The first and second parameters must have the same, or compatible types. The following combinations are possible:

- Date and date
- Time and time
- Timestamp and timestamp
- Date and timestamp (only the date portion of the timestamp is considered)
- Time and timestamp (only the time portion of the timestamp is considered).

The third parameter specifies the unit. The following units are valid:

- For two dates or a date and a timestamp: `*DAYS`, `*MONTHS`, and `*YEARS`
- For two times or a time and a timestamp: `*SECONDS`, `*MINUTES`, and `*HOURS`
- For two timestamps: `*MSECONDS`, `*SECONDS`, `*MINUTES`, `*HOURS`, `*DAYS`, `*MONTHS`, and `*YEARS`

The difference is calculated by subtracting the second operand from the first.

The result is rounded down, with any remainder discarded. For example, 61 minutes is equal to 1 hour, and 59 minutes is equal to 0 hours.

The value returned by the function is compatible with both type numeric and type duration. You can add the result to a number (type numeric) or a date, time, or timestamp (type duration).

If you ask for the difference in microseconds between two timestamps that are more than 32 years 9 months apart, you will exceed the 15-digit limit for duration values. This will result in an error or truncation.

For more information, see “Date Operations” on page 412 or “Built-in Functions” on page 394.

## %DIFF (Difference Between Two Date, Time, or Timestamp Values)

```
D due_date S D INZ(D'2005-06-01')
D today S D INZ(D'2004-09-23')
D num_days S 15P 0

D start_time S Z
D time_taken S 15P 0

/FREE

// Determine the number of days between two dates.

// If due_date has the value 2005-06-01 and
// today has the value 2004-09-23, then
// num_days will have the value 251.

num_days = %DIFF (due_date: today: *DAYS);

// If the arguments are coded in the reverse order,
// num_days will have the value -251.

num_days = %DIFF (today: due_date: *DAYS);

// Determine the number of seconds required to do a task:
// 1. Get the starting timestamp
// 2. Do the task
// 3. Calculate the difference between the current
// timestamp and the starting timestamp

start_time = %timestamp();
process();
time_taken = %DIFF (%timestamp() : start_time : *SECONDS);

/END-FREE
```

Figure 186. Using the result of %DIFF as a numeric value

## %DIFF (Difference Between Two Date, Time, or Timestamp Values)

```
D estimated_end...
D
D prev_start S D INZ(D'2003-06-21')
D prev_end S D INZ(D'2003-06-24')

/FREE

// Add the number of days between two dates
// to a third date

// prev_start is the date a previous task began
// prev_end is the date a previous task ended.

// The following calculation will estimate the
// date a similar task will end, if it begins
// today.

// If the current date, returned by %date(), is
// 2003-08-15, then estimated_end will be
// 2003-08-18.

estimated_end = %date() + %DIFF(prev_end : prev_start : *days);

/END-FREE
```

Figure 187. Using the result of %DIFF as a duration

## **%DIV (Return Integer Portion of Quotient)**

---

### **%DIV (Return Integer Portion of Quotient)**

`%DIV(n:m)`

`%DIV` returns the integer portion of the quotient that results from dividing operands **n** by **m**. The two operands must be numeric values with zero decimal positions. If either operand is a packed, zoned, or binary numeric value, the result is packed numeric. If either operand is an integer numeric value, the result is integer. Otherwise, the result is unsigned numeric. Float numeric operands are not allowed. (See also “`%REM (Return Integer Remainder)`” on page 524.)

If the operands are constants that can fit in 8-byte integer or unsigned fields, constant folding is applied to the built-in function. In this case, the `%DIV` built-in function can be coded in the definition specifications.

For more information, see “Arithmetic Operations” on page 398 or “Built-in Functions” on page 394.

This function is illustrated in Figure 217 on page 524.



---

**%EDITC (Edit Value Using an Editcode)**

`%EDITC(numeric : editcode { : *ASTFILL | *CURSYM | currency-symbol})`

This function returns a character result representing the numeric value edited according to the edit code. In general, the rules for the numeric value and edit code are identical to those for editing numeric values in output specifications. The third parameter is optional, and if specified, must be one of:

**\*ASTFILL**

Indicates that asterisk protection is to be used. This means that leading zeros are replaced with asterisks in the returned value. For example, `%EDITC(-0012.5 : 'K' : *ASTFILL)` returns `'***12.5'`.

**\*CURSYM**

Indicates that a floating currency symbol is to be used. The actual symbol will be the one specified on the control specification in the `CURSYM` keyword, or the default, `'$'`. When `*CURSYM` is specified, the currency symbol is placed in the the result just before the first significant digit. For example, `%EDITC(0012.5 : 'K' : *CURSYM)` returns `' $12.5 '`.

**currency-symbol**

Indicates that floating currency is to be used with the provided currency symbol. It must be a 1-byte character constant (literal, named constant or expression that can be evaluated at compile time). For example, `%EDITC(0012.5 : 'K' : 'X')` returns `' X12.5 '`.

The result of `%EDITC` is always the same length, and may contain leading and trailing blanks. For example, `%EDITC(NUM : 'A' : '$')` might return `'$1,234.56CR'` for one value of `NUM` and `' $4.56 '` for another value.

Float expressions are not allowed in the first parameter (you can use `%DEC` to convert a float to an editable format). In the second parameter, the edit code is specified as a character constant; supported edit codes are: `'A' - 'D'`, `'J' - 'Q'`, `'X' - 'Z'`, `'1' - '9'`. The constant can be a literal, named constant or an expression whose value can be determined at compile time.

For more information, see “Conversion Operations” on page 410 or “Built-in Functions” on page 394.

## %EDITC (Edit Value Using an Editcode)

```
DName+++++ETDsFrom+++To/L+++IDc.Keywords+++++
D msg S 100A
D salary S 9P 2 INZ(1000)
* If the value of salary is 1000, then the value of salary * 12
* is 12000.00. The edited version of salary * 12 using the A edit
* code with floating currency is ' $12,000.00 '.
* The value of msg is 'The annual salary is $12,000.00'
CL0N01Factor1+++++Opcod&ExtExt&-factor2+++++
C EVAL msg = 'The annual salary is '
C + %trim(%editc(salary * 12
C : 'A': *CURSYM))
* In the next example, the value of msg is 'The annual salary is &12,000.00'
C EVAL msg = 'The annual salary is '
C + %trim(%editc(salary * 12
C : 'A': '&'))

* In the next example, the value of msg is 'Salary is $*****12,000.00'
* Note that the '$' comes from the text, not from the edit code.
C EVAL msg = 'Salary is $'
C + %trim(%editc(salary * 12
C : 'B': *ASTFILL))

* In the next example, the value of msg is 'The date is 1/14/1999'
C EVAL msg = 'The date is '
C + %trim(%editc(*date : 'Y'))
```

Figure 188. %EDITC Example 1

A common requirement is to edit a field as follows:

- Leading zeros are suppressed
- Parentheses are placed around the value if it is negative

The following accomplishes this using an %EDITC in a subprocedure:

## %EDITC (Edit Value Using an Editcode)

```
DName+++++ETDsFrom+++To/L+++IDc.Keywords+++++
D neg S 5P 2 inz(-12.3)
D pos S 5P 2 inz(54.32)
D editparens PR 50A
D val 30P 2 value
D editedVal S 10A
CL0N01Factor1+++++0pcode&ExtExtended-factor2+++++
C EVAL editedVal = editparens(neg)
* Now editedVal has the value '(12.30) '
C EVAL editedVal = editparens(pos)
* Now editedVal has the value ' 54.32 '
*-----
* Subprocedure EDITPARENS
*-----
P editparens B
D editparens PI 50A
D val 30P 2 value
D lparen S 1A inz(' ')
D rparen S 1A inz(' ')
D res S 50A
* Use parentheses if the value is negative
C IF val < 0
C EVAL lparen = '('
C EVAL rparen = ')'
C ENDIF
* Return the edited value
* Note that the '1' edit code does not include a sign so we
* don't have to calculate the absolute value.
C RETURN lparen +
C %editc(val : '1') +
C rparen
P editparens E
```

Figure 189. %EDITC Example 2

## %EDITFLT (Convert to Float External Representation)

---

## %EDITFLT (Convert to Float External Representation)

`%EDITFLT(numeric expression)`

`%EDITFLT` converts the value of the numeric expression to the character external display representation of float. The result is either 14 or 23 characters. If the argument is a 4-byte float field, the result is 14 characters. Otherwise, it is 23 characters.

If specified as a parameter to a definition specification keyword, the parameter must be a numeric literal, float literal, or numeric valued constant name or built-in function. When specified in an expression, constant folding is applied if the numeric expression has a constant value.

For more information, see “Conversion Operations” on page 410 or “Built-in Functions” on page 394.

```
*..1....+....2....+....3....+....4....+....5....+....6....+....7....+....
D*Name+++++ETDsFrom+++To/L+++IDc.Keywords+++++
D f8 s 8f inz (50000)
D string s 40a varying

/FREE
 string = 'Float value is ' + %editflt (f8 - 4E4) + '.';
 // Value of "string" is 'Float value is +1.00000000000000E+004. '
/END-FREE
```

Figure 190. `%EDITFLT` Example

---

## **%EDITW (Edit Value Using an Editword)**

`%EDITW(numeric : editword)`

This function returns a character result representing the numeric value edited according to the edit word. The rules for the numeric value and edit word are identical to those for editing numeric values in output specifications.

Float expressions are not allowed in the first parameter. Use %DEC to convert a float to an editable format.

The edit word must be a character constant.

For more information, see “Conversion Operations” on page 410 or “Built-in Functions” on page 394.

```
*.1....+....2....+....3....+....4....+....5....+....6....+....7....+....
D*Name+++++ETDsFrom+++To/L+++IDc.Keywords+++++
D amount S 30A
D salary S 9P 2
D editwd C '$, , **Dollars& &Cents'

* If the value of salary is 2451.53, then the edited version of
* (salary * 12) is '$***29,418*Dollars 36 Cents'. The value of
* amount is 'The annual salary is $***29,418*Dollars 36 Cents'.

/FREE
 amount = 'The annual salary is '
 + %editw(salary * 12 : editwd);
/END-FREE
```

Figure 191. %EDITW Example

## %ELEM (Get Number of Elements)

---

## %ELEM (Get Number of Elements)

```
%ELEM(table_name)
%ELEM(array_name)
%ELEM(multiple_occurrence_data_structure_name)
```

%ELEM returns the number of elements in the specified array, table, or multiple-occurrence data structure. The value returned is in unsigned integer format (type U). It may be specified anywhere a numeric constant is allowed in the definition specification or in an expression in the extended factor 2 field.

The parameter must be the name of an array, table, or multiple occurrence data structure.

For more information, see “Array Operations” on page 402 or “Built-in Functions” on page 394.

```
*..1....+....2....+....3....+....4....+....5....+....6....+....7...+....
D*Name+++++ETDsFrom+++To/L+++IDc.Keywords+++++
D arr1d S 20 DIM(10)
D table S 10 DIM(20) ctdata
D mds DS 20 occurs(30)
D num S 5p 0

* like_array will be defined with a dimension of 10.
* array_dims will be defined with a value of 10.
D like_array S like(arr1d) dim(%elem(arr1d))
D array_dims C const (%elem (arr1d))

/FREE
 num = %elem (arr1d); // num is now 10
 num = %elem (table); // num is now 20
 num = %elem (mds); // num is now 30
/END-FREE
```

Figure 192. %ELEM Example

---

## **%EOF (Return End or Beginning of File Condition)**

`%EOF{ (file_name) }`

`%EOF` returns '1' if the most recent read operation or write to a subfile ended in an end of file or beginning of file condition; otherwise, it returns '0'.

The operations that set `%EOF` are:

- "READ (Read a Record)" on page 728
- "READC (Read Next Changed Record)" on page 731
- "READE (Read Equal Key)" on page 733
- "READP (Read Prior Record)" on page 736
- "READPE (Read Prior Equal)" on page 738
- "WRITE (Create New Records)" on page 799 (subfile only).

The following operations, if successful, set `%EOF(filename)` off. If the operation is not successful, `%EOF(filename)` is not changed. `%EOF` with no parameter is not changed by these operations.

- "CHAIN (Random Retrieval from a File)" on page 589
- "OPEN (Open File for Processing)" on page 715
- "SETGT (Set Greater Than)" on page 759
- "SETLL (Set Lower Limit)" on page 763

When a full-procedural file is specified, this function returns '1' if the previous operation in the list above, for the specified file, resulted in an end of file or beginning of file condition. For primary and secondary files, `%EOF` is available only if the file name is specified. It is set to '1' if the most recent input operation during \*GETIN processing resulted in an end of file or beginning of file condition. Otherwise, it returns '0'.

This function is allowed for input, update, and record-address files; and for display files allowing WRITE to subfile records.

For more information, see "File Operations" on page 416 or "Built-in Functions" on page 394.

```
*.1....+....2....+....3....+....4....+....5....+....6....+....7....+....
F*Filename+IPEASFRlen+LKlen+AIDevice+.Keywords+++++
* File INFILE has record format INREC
FINFILE IF E DISK

/FREE
 READ INREC; // read a record
 IF %EOF;
 // handle end of file
 ENDIF;
/END-FREE
```

Figure 193. `%EOF` without a Filename Parameter

## %EOF (Return End or Beginning of File Condition)

```
*..1....+....2....+....3....+....4....+....5....+....6....+....7....+....
* This program is comparing two files

F*Filename+IPEASFRlen+LKlen+AIDevice+.Keywords+++++
FFILE1 IF E DISK
FFILE2 IF E DISK

* Loop until either FILE1 or FILE2 has reached end-of-file
/FREE
 DOU %EOF(FILE1) OR %EOF(FILE2);
 // Read a record from each file and compare the records

 READ REC1;
 READ REC2;
 IF %EOF(FILE1) AND %EOF(FILE2);
 // Both files have reached end-of-file
 EXSR EndCompare;

 ELSEIF %EOF(FILE1);
 // FILE1 is shorter than FILE2
 EXSR F1Short;

 ELSEIF %EOF(FILE2);
 // FILE2 is shorter than FILE1
 EXSR F2Short;

 ELSE;
 // Both files still have records to be compared
 EXSR CompareRecs;
 ENDIF;
 ENDDO;
 // ...
/END-FREE
```

Figure 194. %EOF with a Filename Parameter



---

## **%EQUAL (Return Exact Match Condition)**

`%EQUAL{(file_name)}`

`%EQUAL` returns '1' if the most recent relevant operation found an exact match; otherwise, it returns '0'.

The operations that set `%EQUAL` are:

- "SETLL (Set Lower Limit)" on page 763
- "LOOKUP (Look Up a Table or Array Element)" on page 667

If `%EQUAL` is used without the optional `file_name` parameter, then it returns the value set for the most recent relevant operation.

For the SETLL operation, this function returns '1' if a record is present whose key or relative record number is equal to the search argument.

For the LOOKUP operation with the EQ indicator specified, this function returns '1' if an element is found that exactly matches the search argument.

If a file name is specified, this function applies to the most recent SETLL operation for the specified file. This function is allowed only for files that allow the SETLL operation code.

For more examples, see Figure 305 on page 669 and Figure 351 on page 766.

For more information, see "File Operations" on page 416, "Result Operations" on page 429, or "Built-in Functions" on page 394.

```
*..1....+....2....+....3....+....4....+....5....+....6....+....7...+....
F*Filename+IPEASFRlen+LKlen+AIDevice+.Keywords+++++
* File CUSTS has record format CUSTREC
FCUSTSIF E K DISK

/FREE
// Check if the file contains a record with a key matching Cust
setll Cust CustRec;
if %equal;
// an exact match was found in the file
endif;
/END-FREE
```

Figure 195. `%EQUAL` with SETLL Example

## %EQUAL (Return Exact Match Condition)

```

DName+++++ETDsFrom+++To/L+++IDc.Keywords+++++
D TabNames S 10A DIM(5) CTDATA ASCEND
D SearchName S 10A
* Position the table at or near SearchName
* Here are the results of this program for different values
* of SearchName:
* SearchName | DSPLY
* -----+-----
* 'Catherine ' | 'Next greater Martha'
* 'Andrea ' | 'Exact Andrea'
* 'Thomas ' | 'Not found Thomas'
CL0N01Factor1+++++Opcode(E)+Factor2+++++Result+++++Len++D+HiLoEq....
C SearchName LOOKUP TabNames 10 10
C SELECT
C WHEN %EQUAL
* An exact match was found
C 'Exact 'DSPLY TabNames
C WHEN %FOUND
* A name was found greater than SearchName
C 'Next greater'DSPLY TabNames
C OTHER
* Not found. SearchName is greater than all the names in the table
C 'Not found 'DSPLY SearchName
C ENDSL
C RETURN
**CTDATA TabNames
Alexander
Andrea
Bohdan
Martha
Samuel

```

Figure 196. %EQUAL and %FOUND with LOOKUP Example

---

**%ERROR (Return Error Condition)**

`%ERROR` returns '1' if the most recent operation with extender 'E' specified resulted in an error condition. This is the same as the error indicator being set on for the operation. Before an operation with extender 'E' specified begins, `%ERROR` is set to return '0' and remains unchanged following the operation if no error occurs. All operations that allow an error indicator can also set the `%ERROR` built-in function. The `CALLP` operation can also set `%ERROR`.

For examples of the `%ERROR` built-in function, see Figure 223 on page 535 and Figure 224 on page 536.

For more information, see "Result Operations" on page 429 or "Built-in Functions" on page 394.

## **%Fields (Fields to update)**

---

### **%FIELDS (Fields to update)**

`%FIELDS(name{ :name... })`

A list of fields can be specified as the final argument to Input/Output operation UPDATE coded in a free-form group. Only the fields specified are updated into the Input/Output buffer.

#### **Notes:**

1. Each name must be the name of a field in the input buffer for the record. If the field is renamed, the internal name is used.

`%FIELDS` specifies a list of fields to update. For example:

*Figure 197. Updating Fields*

```
/free
 chain empno record;
 salary = salary + 2000;
 status = STATEXEMPT;
 update record %fields(salary:status);
/end-free
```

**%FLOAT (Convert to Floating Format)**

`%FLOAT(numeric or character expression)`

`%FLOAT` converts the value of the expression to float format. This built-in function may only be used in expressions.

If the parameter is a character expression, the following rules apply:

- The sign is optional. It can be '+' or '-'. It must precede the numeric data.
- The decimal point is optional. It can be either a period or a comma.
- The exponent is optional. It can be either 'E' or 'e'. The sign for the exponent is optional. It must precede the numeric part of the exponent.
- Blanks are allowed anywhere in the data. For example, '+ 3 , 5 E 9' is a valid parameter.
- If invalid numeric data is found, an exception occurs with status code 105.

For more information, see "Conversion Operations" on page 410 or "Built-in Functions" on page 394.

```

*.1....+....2....+....3....+....4....+....5....+....6....+....7....+....
D*Name+++++++ETDsFrom+++To/L+++IDc.Keywords+++++++
D p1 s 15p 0 inz (1)
D p2 s 25p13 inz (3)
D c15a s 15a inz('-5.2e-1')
D c15b s 15a inz(' + 5 . 2 ')
D result1 s 15p 5
D result2 s 15p 5
D result3 s 15p 5
D result4 s 8f
/FREE
// using numeric parameters
result1 = p1 / p2; // "result1" is now 0.33000.
result2 = %float (p1) / p2; // "result2" is now 0.33333.
result3 = %float (p1 / p2); // "result3" is now 0.33333.
result4 = %float (12345); // "result4" is now 1.2345E4
// using character parameters
result1 = %float (c15a); // "result1" is now -0.52000.
result2 = %float (c15b); // "result2" is now 5.20000.
result4 = %float (c15b); // "result4" is now 5.2E0
/END-FREE

```

Figure 198. `%FLOAT` Example

## %FOUND (Return Found Condition)

---

## %FOUND (Return Found Condition)

`%FOUND{(file_name)}`

`%FOUND` returns '1' if the most recent relevant file operation found a record, a string operation found a match, or a search operation found an element. Otherwise, this function returns '0'.

The operations that set `%FOUND` are:

- File operations:
  - “CHAIN (Random Retrieval from a File)” on page 589
  - “DELETE (Delete Record)” on page 611
  - “SETGT (Set Greater Than)” on page 759
  - “SETLL (Set Lower Limit)” on page 763
- String operations:
  - “CHECK (Check Characters)” on page 592
  - “CHECKR (Check Reverse)” on page 595
  - “SCAN (Scan String)” on page 754

**Note:** Built-in function `%SCAN` does not change the value of `%FOUND`.

- Search operations:
  - “LOOKUP (Look Up a Table or Array Element)” on page 667

If `%FOUND` is used without the optional `file_name` parameter, then it returns the value set for the most recent relevant operation. When a `file_name` is specified, then it applies to the most recent relevant operation on that file.

For file operations, `%FOUND` is opposite in function to the “no record found NR” indicator.

For string operations, `%FOUND` is the same in function as the “found FD” indicator.

For the `LOOKUP` operation, `%FOUND` returns '1' if the operation found an element satisfying the search conditions. For an example of `%FOUND` with `LOOKUP`, see Figure 196.

For more information, see “File Operations” on page 416, “Result Operations” on page 429, or “Built-in Functions” on page 394.

```
*..1....+....2....+....3....+....4....+....5....+....6....+....7...+....
F*Filename+IPEASFRlen+LKlen+AIDevice+.Keywords+++++++
* File CUSTS has record format CUSTREC
FCUSTS IF E K DISK

/FREE
 // Check if the customer is in the file
 chain Cust CustRec;
 if %found;
 exsr HandleCustomer;
 endif;
/END-FREE
```

Figure 199. `%FOUND` used to Test a File Operation without a Parameter

## %FOUND (Return Found Condition)

```
*...1....+....2....+....3....+....4....+....5....+....6....+....7....+....
F*Filename+IPEASFRlen+LKlen+AIDevice+.Keywords+++++
* File MASTER has all the customers
* File GOLD has only the "privileged" customers
FMASTER IF E K DISK
FGOLD IF E K DISK

/FREE
// Check if the customer exists, but is not a privileged customer
chain Cust MastRec;
chain Cust GoldRec;

// Note that the file name is used for %FOUND, not the record name
if %found (Master) and not %found (Gold);
//
endif;
/END-FREE
```

Figure 200. %FOUND used to Test a File Operation with a Parameter

```
*...1....+....2....+....3....+....4....+....5....+....6....+....7....+....
DName+++++ETDsFrom+++To/L+++IDc.Keywords+++++
D Numbers C '0123456789'
D Position S 5I 0
CLON01Factor1+++++Opcode(E)+Factor2+++++Result+++++Len++D+HiLoEq....
* If the actual position of the name is not required, just use
* %FOUND to test the results of the SCAN operation.
* If Name has the value 'Barbara' and Line has the value
* 'in the city of Toronto. ', then %FOUND will return '0'.
* If Line has the value 'the city of Toronto where Barbara lives, '
* then %FOUND will return '1'.
C Name SCAN Line
C IF %FOUND
C EXSR PutLine
C ENDIF
* If Value contains the value '12345.67', Position would be set
* to 6 and %FOUND would return the value '1'.
* If Value contains the value '10203040', Position would be set
* to 0 and %FOUND would return the value '0'.
C Numbers CHECK Value Position
C IF %FOUND
C EXSR HandleNonNum
C ENDIF
```

Figure 201. %FOUND used to Test a String Operation

## %GRAPH (Convert to Graphic Value)

---

### %GRAPH (Convert to Graphic Value)

`%GRAPH(char-expr | graph-expr | UCS-2-expr { : ccsid })`

%GRAPH converts the value of the expression from character, graphic, or UCS-2 and returns a graphic value. The result is varying length if the parameter is varying length.

The second parameter, *ccsid*, is optional and indicates the CCSID of the resulting expression. The CCSID defaults to the graphic CCSID related to the CCSID of the job. If `CCSID(*GRAPH : *IGNORE)` is specified on the control specification or assumed for the module, the %GRAPH built-in is not allowed.

If the parameter is a constant, the conversion will be done at compile time. In this case, the CCSID is the graphic CCSID related to the CCSID of the source file.

If the parameter is character, the character data must be in the form  
`shift-out graphic-data shift-in`

For example, `'oAABBCCi'`.

If the conversion results in substitution characters, a warning message is issued at compile time. At run time, status 00050 is set and no error message is issued.

For more information, see “Graphic Format” on page 173, “Conversion Operations” on page 410, or “Built-in Functions” on page 394.



## %GRAPH (Convert to Graphic Value)

```
*..1....+....2....+....3....+....4....+....5....+....6....+....7...+....
H*Keywords+++++
H ccsid (*graph: 300)

D*Name+++++ETDsFrom+++To/L+++IDc.Keywords+++++
D char S 8A inz('oXXYYZZi')
* The %GRAPH built-in function is used to initialize a graphic field
D graph S 10G inz (%graph ('oAABBCCDDEEi'))
D ufield S 2C inz (%ucs2 ('oFFGGi'))
D graph2 S 2G ccsid (4396) inz (*hival)
D isEqual S 1N
D proc PR
D gparm 2G ccsid (4396) value

/FREE
graph = %graph (char) + %graph (ufield);
// graph now has the value XXYYZZFFGG.
// %graph(char) removes the shift characters from the
// character data, and treats the non-shift data as
// graphic data.

isEqual = graph = %graph (graph2 : 300);
// The result of the %GRAPH built-in function is the value of
// graph2, converted from CCSID 4396 to CCSID 300.

graph2 = graph;
// The value of graph is converted from CCSID 300 to CCSID 4396
// and stored in graph2.
// This conversion is performed implicitly by the compiler.

proc (graph);
// The value of graph is converted from CCSID 300 to CCSID 4396
// implicitly, as part of passing the parameter by value.
/END-FREE
```

Figure 202. %GRAPH Examples

## %HANDLER (handlingProcedure : communicationArea )

---

### %HANDLER (handlingProcedure : communicationArea )

%HANDLER is used to identify a procedure to handle an event or a series of events. %HANDLER does not return a value, and it can only be specified as the first operand of XML-SAX and XML-INTO.

The first operand, *handlingProcedure* specifies the prototype of the handling procedure. The return value and parameters specified by the prototype must match the parameters required for the handling procedure; the requirements are determined by the operation that %HANDLER is specified for. See “XML-SAX (Parse an XML Document)” on page 834 and “XML-INTO (Parse an XML Document into a Variable)” on page 804 for the specific requirements for the definition of the handling procedures.

The second operand, *communicationArea*, specifies a variable to be passed as a parameter on every call to the handling procedure. The operand must be an exact match for the first prototyped parameter of the handling procedure, according to the same rules that are used for checking prototyped parameters passed by reference. The communication-area parameter can be any type, including arrays and data structures.

When an operation code uses the %HANDLER built-in function, the following sequence of events occurs:

1. The operation using the %HANDLER built-in function begins.
2. When an event occurs during the operation that must be handled by the handling procedure, the RPG runtime calls the handling procedure specified as the first operand of %HANDLER. The first parameter passed to the handling procedure is the communication area that was specified as the second operand of %HANDLER. The other parameters depend on the operation and the nature of the event that occurred.
3. The handling procedure processes the parameters, possibly updating the communication-area parameter.
4. The handling procedure returns a zero if it completed successfully, and a non-zero value if it did not complete successfully.
5. If the returned value was zero, the RPG runtime continues processing until either the operation is complete, or another event occurs. If the returned value was not zero, the operation ends.
6. If another event occurs, the handling procedure is called again. If the previous call to the handling procedure changed the communication area, the changes can be seen on subsequent calls.
7. When the operation is complete, control passes to the statement following the operation that used the %HANDLER built-in function. If the handling procedure changed the communication area, the changes can be seen in the procedure that used the %HANDLER built-in function.

The communication area can be used for several purposes.

1. To communicate information from the procedure coding the %HANDLER built-in function to the handling procedure.
2. To communicate information from the handling procedure back to the procedure coding the %HANDLER built-in function.
3. To keep state information between successive calls of the handling procedure. State information can also be kept in static variables in the handling procedure, but when static variables are used, incorrect results can occur if the handling

## **%HANDLER (handlingProcedure : communicationArea )**

| procedure has been enabled by more than one %HANDLER operation. By  
| using a communication area parameter, the usages of the handling procedure  
| are independent from each other.  
|

## %HANDLER (handlingProcedure : communicationArea )

```

* Data structure used as a parameter between
* the XML-SAX operation and the handling
* procedure.
* - "attrName" is set by the procedure doing the
* XML-SAX operation and used by the handling procedure
* - "attrValue" is set by the handling procedure
* and used by the procedure doing the XML-SAX
* operation
* - "haveAttr" is used internally by the handling
* procedure
D info DS
D attrName 20A VARYING
D haveAttr N
D attrValue 20A VARYING

* Prototype for procedure "myHandler" defining
* the communication-area parameter as being
* like data structure "info"
D myHandler PR 10I 0
D commArea LIKEDS(info)
D event 10I 0 VALUE
D string * VALUE
D stringLen 20I 0 VALUE
D exceptionId 10I 0 VALUE
/free
// The purpose of the following XML-SAX operation
// is to obtain the value of the first "companyname"
// attribute found in the XML document.

// The communication area "info" is initialized with
// the name of the attribute whose value is
// to be obtained from the XML document.
attrName = 'companyname';

// Start SAX processing. The procedure "myHandler"
// will be called for every SAX event; the first
// parameter will be the data structure "info".
xml-sax(e) %handler(myHandler : info) %xml(xmldoc);
// The XML-SAX operation is complete. The
// communication area can be checked to get the
// value of the attribute.
if not %error() and attrValue <> '';
 dsply (attrName + '=' + attrValue);
endif;

:
:
* The SAX handling procedure "myHandler"
P myHandler B
D comm PI 10I 0
D event 10I 0 VALUE
D string * VALUE
D stringLen 20I 0 VALUE
D exceptionId 10I 0 VALUE
D value S 65535A VARYING
D BASED(string)
D ucs2value S 16383C VARYING
D BASED(string)
D rc S 10I 0 INZ(0)
/free

select;

```

Figure 203. Using a communication-area with %HANDLER (Part 1 of 2)

## %HANDLER (handlingProcedure : communicationArea )

```
// When the event is a "start document" event,
// the handler can initialize any internal
// subfields in the communication area.
when event = *XML_START_DOCUMENT;
 comm.haveAttr = *OFF;

// When the event is an "attribute name" event,
// and the value of the event is the required
// name, the internal subfield "haveAttr" is
// set to *ON. If the next event is an
// attribute-value event, the value will be
// saved in the "attrValue" subfield.
when event = *XML_ATTR_NAME
and %subst(value : 1 : stringLen) = comm.attrName;
 comm.haveAttr = *ON;
 comm.attrValue = '';

// When "haveAttr" is on, the data from any
// attribute-value should be saved in the "attrValue"
// string until the *XML_END_ATTR event occurs
when comm.haveAttr;
 select;
 when event = *XML_ATTR_CHARS
 or event = *XML_ATTR_PREDEF_REF;
 comm.attrValue +=
 %subst(value : 1 : stringLen);
 when event = *XML_ATTR_UCS2_REF;
 stringLen = stringLen / 2;
 comm.attrValue +=
 %char(%subst(ucs2value : 1 : stringLen));
 when event = *XML_END_ATTR;
 // We have the entire attribute value
 // so no further parsing is necessary.
 // A non-zero return value tells the
 // RPG runtime that the handler does
 // not want to continue the operation
 rc = -1;
 endsl;

endsl;

return rc;
/end-free
P E
```

Figure 203. Using a communication-area with %HANDLER (Part 2 of 2)

For more examples of %HANDLER, see “XML-SAX (Parse an XML Document)” on page 834 and “XML-INTO (Parse an XML Document into a Variable)” on page 804.

For more information, see “XML Operations” on page 437 or “Built-in Functions” on page 394.

## **%HOURS (Number of Hours)**

---

### **%HOURS (Number of Hours)**

`%HOURS (number)`

`%HOURS` converts a number into a duration that can be added to a time or timestamp value.

`%HOURS` can only be the right-hand value in an addition or subtraction operation. The left-hand value must be a time or timestamp. The result is a time or timestamp value with the appropriate number of hours added or subtracted. For a time, the resulting value is in \*ISO format.

For an example of date and time arithmetic operations, see Figure 209 on page 514.

For more information, see “Date Operations” on page 412 or “Built-in Functions” on page 394.

---

**%INT (Convert to Integer Format)**

`%INT(numeric or character expression)`

`%INT` converts the value of the expression to integer. Any decimal digits are truncated. This built-in function may only be used in expressions. `%INT` can be used to truncate the decimal positions from a float or decimal value allowing it to be used as an array index.

If the parameter is a character expression, the following rules apply:

- The sign is optional. It can be '+' or '-'. It can precede or follow the numeric data.
- The decimal point is optional. It can be either a period or a comma.
- Blanks are allowed anywhere in the data. For example, ' + 3 ' is a valid parameter.
- Floating point data is not allowed. That is, where the numeric value is followed by E and an exponent, for example '1.2E6'.
- If invalid numeric data is found, an exception occurs with status code 105

For more information, see “Conversion Operations” on page 410 or “Built-in Functions” on page 394.

Figure 204 on page 506 shows an example of the `%INT` built-in function.

**%INTH (Convert to Integer Format with Half Adjust)**

`%INTH(numeric or character expression)`

`%INTH` is the same as `%INT` except that if the expression is a decimal, float or character value, half adjust is applied to the value of the expression when converting to integer type. No message is issued if half adjust cannot be performed.

For more information, see “Conversion Operations” on page 410 or “Built-in Functions” on page 394.

## %INTH (Convert to Integer Format with Half Adjust)

```
*..1....+....2....+....3....+....4....+....5....+....6....+....7...+....
D*Name+++++ETDsFrom+++To/L+++IDc.Keywords+++++
D p7 s 7p 3 inz (1234.567)
D s9 s 9s 5 inz (73.73442)
D f8 s 8f inz (123.789)
D c15a s 15a inz (' 12345.6789 -')
D c15b s 15a inz (' + 9 8 7 . 6 5 4 ')
D result1 s 15p 5
D result2 s 15p 5
D result3 s 15p 5
D array s 1a dim (200)
D a s 1a

/FREE
// using numeric parameters
result1 = %int (p7) + 0.011; // "result1" is now 1234.01100.
result2 = %int (s9); // "result2" is now 73.00000
result3 = %inth (f8); // "result3" is now 124.00000.
// using character parameters
result1 = %int (c15a); // "result1" is now -12345.00000
result2 = %inth (c15b); // "result2" is now 988.00000

// %INT and %INTH can be used as array indexes
a = array (%inth (f8));
/END-FREE
```

Figure 204. %INT and %INTH Example



## %KDS (Search Arguments in Data Structure)

%KDS(data-structure-name{:num-keys})

%KDS is allowed as the search argument for any keyed Input/Output operation (CHAIN, DELETE, READE, READPE, SETGT, SETLL) coded in a free-form group. The search argument is specified by the subfields of the data structure name coded as the first argument of the built-in function. The key data structure may be (but is not limited to), an externally described data structure with keyword EXTNAME(...:\*KEY) or LIKERECD(...:\*KEY)..

### Notes:

1. The first argument must be the name of a data structure. This includes any subfield defined with keyword LIKEDS or LIKERECD.
2. The second argument specifies how many of the subfields to use as the search argument.
3. The individual key values in the compound key are taken from the top level subfields of the data structure. Subfields defined with LIKEDS are considered character data.
4. Subfields used to form the compound key must not be arrays.
5. The types of all subfields (up to the number specified by "num-keys") must match the types of the actual keys. Where lengths and formats differ, the value is converted to the proper length and format.
6. If the data structure is defined as an array data structure (using keyword DIM), an index must be supplied for the data structure.
7. Opcode extenders H, M, or R specified on the keyed Input/Output operations code affect the moving of the search argument to the corresponding position in the key build area.

### Example:

```
A.....T.Name+++++RLen++TDpB.....Functions+++++
A R CISTR
A NAME 100A
A ZIP 10A
A ADDR 100A
A K NAME
A K ZIP
FFilename++IPEASF.....L.....A.Device+.Keywords+++++
Fcustfile if e k disk rename(CISTR:custRec)
DName+++++ETDsFrom+++To/L+++IDc.Keywords+++++
D custRecKeys ds likerec(custRec : *key)
...
/free
// custRecKeys is a qualified data structure
custRecKeys.name = customer;
custRecKeys.zip = zipcode;
// the *KEY data structure is used as the search argument for CHAIN
chain %kds(custRecKeys) custRec;
/end-free
```

Figure 205. Example of Search on Keyed Input/Output Operations

## **%LEN (Get or Set Length)**

---

### **%LEN (Get or Set Length)**

`%LEN(expression)`

`%LEN` can be used to get the length of a variable expression or to set the current length of a variable-length field.

The parameter must not be a figurative constant.

For more information, see “Size Operations” on page 429 or “Built-in Functions” on page 394.

### **%LEN Used for its Value**

When used on the right-hand side of an expression, this function returns the number of digits or characters of the variable expression.

For numeric expressions, the value returned represents the precision of the expression and not necessarily the actual number of significant digits. For a float variable or expression, the value returned is either 4 or 8. When the parameter is a numeric literal, the length returned is the number of digits of the literal.

For character, graphic, or UCS-2 expressions the value returned is the number of characters in the value of the expression. For variable-length values, such as the value returned from a built-in function or a variable-length field, the value returned by `%LEN` is the current length of the character, graphic, or UCS-2 value.

Note that if the parameter is a built-in function or expression that has a value computable at compile-time, the length returned is the actual number of digits of the constant value rather than the maximum possible value that could be returned by the expression.

For all other data types, the value returned is the number of bytes of the value.

## %LEN Used to Set the Length of Variable-Length Fields

```
*.1....+...2....+...3....+...4....+...5....+...6....+...7...+...
D*Name+++++++ETDsFrom+++To/L+++IDc.Keywords+++++++
D num1 S 7P 2
D NUM1_LEN C %len(num1)
D NUM1_DECPOS C %decpos(num1)
D num2 S 5S 1
D num3 S 5I 0 inz(2)
D chr1 S 10A inz('Toronto ')
D chr2 S 10A inz('Munich ')
D ptr S *

* Numeric expressions:
/FREE
num1 = %len(num1); // 7
num1 = %decpos(num2); // 1
num1 = %len(num1*num2); // 12
num1 = %decpos(num1*num2); // 3
// Character expressions:
num1 = %len(chr1); // 10
num1 = %len(chr1+chr2); // 20
num1 = %len(%trim(chr1)); // 7
num1 = %len(%subst(chr1:1:num3) + ' ' + %trim(chr2)); // 9
// %len and %decpos can be useful with other built-in functions:
// Although this division is performed in float, the result is
// converted to the same precision as the result of the eval:
// Note: %LEN and %DECPOS cannot be used directly with %DEC
// and %DECH, but they can be used as named constants
num1 = 27 + %dec (%float(num1)/num3 : NUM1_LEN : NUM1_DECPOS);
// Allocate sufficient space to hold the result of the catenation
// (plus an extra byte for a trailing null character):
num3 = %len (chr1 + chr2) + 1;
ptr = %alloc (num3);
%str (ptr: num3) = chr1 + chr2;
/END-FREE
```

Figure 206. %DECPOS and %LEN Example

## %LEN Used to Set the Length of Variable-Length Fields

When used on the left-hand side of an expression, this function sets the current length of a variable-length field. If the set length is greater than the current length, the characters in the field between the old length and the new length are set to blanks.

**Note:** %LEN can only be used on the left-hand-side of an expression when the parameter is variable length.

## %LEN Used to Set the Length of Variable-Length Fields

```
*..1....+....2....+....3....+....4....+....5....+....6....+....7...+....
D*Name+++++ETDsFrom+++To/L+++IDc.Keywords+++++
*
D city S 40A varying inz('North York')
D n1 S 5i 0

* %LEN used to get the current length of a variable-length field:
/FREE
 n1 = %len(city);
 // Current length, n1 = 10

 // %LEN used to set the current length of a variable-length field:
 %len (city) = 5;
 // city = 'North' (length is 5)

 %len (city) = 15;
 // city = 'North ' (length is 15)
/END-FREE
```

Figure 207. %LEN with Variable-Length Field Example

---

## **%LOOKUPxx (Look Up an Array Element)**

```
%LOOKUP(arg : array {: startindex {: numelems}})
%LOOKUPLT(arg : array {: startindex {: numelems}})
%LOOKUPGE(arg : array {: startindex {: numelems}})
%LOOKUPGT(arg : array {: startindex {: numelems}})
%LOOKUPLE(arg : array {: startindex {: numelems}})
```

The following functions return the array index of the item in *array* that matches *arg* as follows:

**%LOOKUP** An exact match.

**%LOOKUPLT** The value that is closest to *arg* but less than *arg*.

**%LOOKUPLE** An exact match, or the value that is closest to *arg* but less than *arg*.

**%LOOKUPGT**  
The value that is closest to *arg* but greater than *arg*.

**%LOOKUPGE**  
An exact match, or the value that is closest to *arg* but greater than *arg*.

If no value matches the specified condition, zero is returned.

The search starts at index *startindex* and continues for *numelems* elements. By default, the entire array is searched.

The first two parameters can have any type but must have the same type. They do not need to have the same length or number of decimal positions. The third and fourth parameters must be non-float numeric values with zero decimal positions.

For **%LOOKUPLT**, **%LOOKUPLE**, **%LOOKUPGT**, and **%LOOKUPGE**, the array must be defined with keyword **ASCEND** or **DESCEND**. The **ALTSEQ** table is used, unless *arg* or *array* is defined with **ALTSEQ(\*NONE)**.

Built-in functions **%FOUND** and **%EQUAL** are not set following a **%LOOKUP** operation.

# The **%LOOKUPxx** built-in functions use a binary search for sequenced arrays  
# (arrays that have the **ASCEND** or **DESCEND** keyword specified).

**Note:** Unlike the **LOOKUP** operation code, **%LOOKUP** applies only to arrays. To look up a value in a table, use the **%TLOOKUP** built-in function.

For more information, see “Array Operations” on page 402 or “Built-in Functions” on page 394.

## %LOOKUPxx (Look Up an Array Element)

```
*..1....+....2....+....3....+....4....+....5....+....6....+....7....+....
/FREE
arr(1) = 'Cornwall';
arr(2) = 'Kingston';
arr(3) = 'London';
arr(4) = 'Paris';
arr(5) = 'Scarborough';
arr(6) = 'York';

n = %LOOKUP('Paris':arr);
// n = 4

n = %LOOKUP('Thunder Bay':arr);
// n = 0 (not found)

n = %LOOKUP('Kingston':arr:3);
// n = 0 (not found after start index)

n = %LOOKUPLE('Paris':arr);
// n = 4

n = %LOOKUPLE('Milton':arr);
// n = 3

n = %LOOKUPGT('Sudbury':arr);
// n = 6

n = %LOOKUPGT('Yorks':arr:2:4);
// n = 0 (not found between elements 2 and 5)
/END-FREE
```

Figure 208. %LOOKUPxx Example

### # Sequenced arrays that are not in the correct sequence

# When the data is not in the correct sequence for a sequenced array, the  
# %LOOKUPxx built-in functions and the LOOKUP operation code may find  
# different values. The %LOOKUPxx built-in functions may not find a data value  
# even if it is present in the array.

# Since a binary search is used by the %LOOKUPxx built-in functions for a  
# sequenced array, and the correct function of a binary search depends on the data  
# being in order, the search may only look at a few elements of the array. When the  
# array is out of order, the result of a binary search is unpredictable.

# **Note:** When the LOOKUP operation code is used to find an exact match in a  
# sequenced array, the search starts from the specified element and continues  
# one element at a time until either the value is found or the last element of  
# the array is reached.

---

**%MINUTES (Number of Minutes)**

`%MINUTES(number)`

`%MINUTES` converts a number into a duration that can be added to a time or timestamp value.

`%MINUTES` can only be the right-hand value in an addition or subtraction operation. The left-hand value must be a time or timestamp. The result is a time or timestamp value with the appropriate number of minutes added or subtracted. For a time, the resulting value is in \*ISO format.

For an example of date and time arithmetic operations, see Figure 209 on page 514.

For more information, see “Date Operations” on page 412 or “Built-in Functions” on page 394.

## %MONTHS (Number of Months)

---

## %MONTHS (Number of Months)

`%MONTHS(number)`

`%MONTHS` converts a number into a duration that can be added to a date or timestamp value.

`%MONTHS` can only be the right-hand value in an addition or subtraction operation. The left-hand value must be a date or timestamp. The result is a date or timestamp value with the appropriate number of months added or subtracted. For a date, the resulting value is in \*ISO format.

In most cases, the result of adding or subtracting a given number of months is obvious. For example, `2000-03-15 + %MONTHS(1)` is `2000-04-15`. If the addition or subtraction would produce a nonexistent date (for example, February 30), the last day of the month is used instead.

Adding or subtracting a number of months to the 29th, 30th, or 31st day of a month may not be reversible. For example, `2000-03-31 + %MONTHS(1) - %MONTHS(1)` is `2000-03-30`.

For more information, see “Date Operations” on page 412 or “Built-in Functions” on page 394.

```
*..1....+....2....+....3....+....4....+....5....+....6....+....7....+....
/FREE

// Determine the date in 3 years
newdate = date + %YEARS(3);

// Determine the date in 6 months prior
loandate = duedate - %MONTHS(6);

// Construct a timestamp from a date and time
duestamp = duedate + t'12.00.00';
/END-FREE
```

Figure 209. `%MONTHS` and `%YEARS` Example



## **%MSECONDS (Number of Microseconds)**

`%MSECONDS (number)`

`%MSECONDS` converts a number into a duration that can be added to a time or timestamp value.

`%MSECONDS` can only be the right-hand value in an addition or subtraction operation. The left-hand value must be a time or timestamp. The result is a time or timestamp value with the appropriate number of microseconds added or subtracted. For a time, the resulting value is in \*ISO format.

For an example of date and time arithmetic operations, see Figure 209 on page 514.

For more information, see “Date Operations” on page 412 or “Built-in Functions” on page 394.

## %NULLIND (Query or Set Null Indicator)

---

## %NULLIND (Query or Set Null Indicator)

`%NULLIND(fieldname)`

The %NULLIND built-in function can be used to query or set the null indicator for null-capable fields. This built-in function can only be used if the ALWNULL(\*USRCTL) keyword is specified on a control specification or as a command parameter. The fieldname can be a null-capable array element, data structure, stand-alone field, subfield, or multiple occurrence data structure.

%NULLIND can only be used in expressions in extended factor 2.

When used on the right-hand side of an expression, this function returns the setting of the null indicator for the null-capable field. The setting can be \*ON or \*OFF.

When used on the left-hand side of an expression, this function can be used to set the null indicator for null-capable fields to \*ON or \*OFF. The content of a null-capable field remains unchanged.

See “Database Null Value Support” on page 209 for more information on handling records with null-capable fields and keys.

For more information, see “Indicator-Setting Operations” on page 419 or “Built-in Functions” on page 394.

```
*.1....+....2....+....3....+....4....+....5....+....6....+....7....+....
* Test the null indicator for a null-capable field.
/FREE
 if %nullind (fieldname1);
 // field is null
 endif;

 // Set the null indicator for a null-capable field.
 %nullind(fieldname1) = *ON;
 %nullind (fieldname2) = *OFF;
/END-FREE
```

Figure 210. %NULLIND Example

---

## **%OCCUR (Set/Get Occurrence of a Data Structure)**

`%OCCUR(dsn-name)`

`%OCCUR` gets or sets the current position of a multiple-occurrence data structure.

When this function is evaluated for its value, it returns the current occurrence number of the specified data structure. This is an unsigned numeric value.

When this function is specified on the left-hand side of an EVAL statement, the specified number becomes the current occurrence number. This must be a non-float numeric value with zero decimal places. Exception 00122 is issued if the value is less than 1 or greater than the total number of occurrences.

For more information about multiple-occurrence data structures and the OCCUR operation code, see “OCCUR (Set/Get Occurrence of a Data Structure)” on page 710.

```
*. 1...+...2...+...3...+...4...+...5...+...6...+...7...+...
D mds DS OCCURS(10)

/FREE
 n = %OCCUR(mds);
 // n = 1

 %OCCUR(mds) = 7;

 n = %OCCUR(mds);
 // n = 7
/END-FREE
```

Figure 211. `%OCCUR` Example

## %OPEN (Return File Open Condition)

---

### %OPEN (Return File Open Condition)

`%OPEN(file_name)`

`%OPEN` returns '1' if the specified file is open. A file is considered "open" if it has been opened by the RPG program during initialization or by an `OPEN` operation, and has not subsequently been closed. If the file is conditioned by an external indicator and the external indicator was off at program initialization, the file is considered closed, and `%OPEN` returns '0'.

For more information, see "File Operations" on page 416 or "Built-in Functions" on page 394.

```
*..1....+...2....+...3....+...4....+...5....+...6....+...7...+...
F*Filename+IPEASFRlen+LKlen+AIDevice+.Keywords+++++
* The printer file is opened in the calculation specifications
FQSYSPRT 0 F 132 PRINTER USROPN

/FREE
// Open the file if it is not already open
 if not %open (QSYSPRT);
 open QSYSPRT;
 endif;
/END-FREE
```

Figure 212. `%OPEN` Example

## **%PADDR (Get Procedure Address)**

`%PADDR(string|prototype)`

`%PADDR` returns a value of type procedure pointer. The value is the address of the entry point identified by the argument.

`%PADDR` may be compared with and assigned to only items of type procedure pointer.

The parameter to `%PADDR` must be a character constant or a prototype name.

The character constant can be a character or hexadecimal literal or constant name that represents a character or hexadecimal literal. When a character constant is used, this identifies the entry point by name.

The prototype must a prototype for a bound call. The `EXTPGM` keyword cannot be used. The entry point identified by the prototype is the procedure identified in the `EXTPROC` keyword for the prototype. If the `EXTPROC` keyword is not specified, the entry point is the the same as the prototype name (in upper case).

```
DName+++++ETDsFrom+++To/L+++IDc.Keywords+++++
D
D PROC S * PROCPTR
D INZ (%PADDR ('FIRSTPROG'))
D PROC1 S * PROCPTR
CL0N01Factor1+++++0pcode(E)+Factor2+++++Result+++++Len++D+HiLoEq..
CL0N01Factor1+++++0pcode(E)+Extended-factor2+++++
*
* The following statement calls procedure 'FIRSTPROG'.
*
C CALLB PROC
*-----
* The following statements call procedure 'NextProg'.
* This a C procedure and is in mixed case. Note that
* the procedure name is case sensitive.
*
C EVAL PROC1 = %PADDR ('NextProg')
C CALLB PROC1
```

Figure 213. `%PADDR` Example with an Entry Point

### **%PADDR Used with a Prototype**

The argument of `%PADDR` can be a prototype name, with the following restrictions:

- It must not be a prototype for a Java method.
- It must not have the `EXTPGM` keyword.
- If its `EXTPROC` keyword has a procedure pointer for an argument, `%PADDR` cannot be used in definition specifications.

## %PADDR Used with a Prototype

```
*-----
* Several prototypes
*-----
D proc1 PR
D proto2 PR EXTPROC('proc2')
D proc3 PR EXTPROC(procptr3)
D pgm1 PR EXTPGM('PGM3')
D meth PR EXTPROC(*JAVA : 'myClass'
D : 'meth1')

D procptr3 S *

*-----
* Valid examples of %PADDR with prototype names as the argument
*-----

* constant1 is the same as %PADDR('PROC1') since 'PROC1' is the
* procedure called by the prototype proc1
D constant1 C %PADDR(proc1)

* constant2 is the same as %PADDR('proc2') since 'proc2' is the
* procedure called by the prototype proto2
D constant2 C %PADDR(proto2)

* %paddr(proc3) is the same as procedure pointer procptr3 since
* procptr3 points to the procedure called by prototype proc3
C eval procptr = %paddr(proc3)

*-----
* Examples of %PADDR with prototype names as the argument
* that are not valid
*-----
* %PADDR(pgm1) is not valid because it is a prototype for a program
* %PADDR(meth) is not valid because it is a prototype for a Java method
```

Figure 214. %PADDR Example with a Prototype

## %PARMS (Return Number of Parameters)

%PARMS returns the number of parameters that were passed to the procedure in which %PARMS is used. For the main procedure, %PARMS is the same as \*PARMS.

The value returned by %PARMS is not available if the program or procedure that calls %PARMS does not pass a minimal operational descriptor. The ILE RPG compiler always passes one, but other languages do not. So if the caller is written in another ILE language, it will need to pass an operational descriptor on the call. If the operational descriptor is not passed, the value returned by %PARMS cannot be trusted.

For more information, see “Call Operations” on page 404 or “Built-in Functions” on page 394.

```
DName+++++ETDsFrom+++To/L+++IDc.Keywords+++++
* Prototype for procedure MaxInt which calculates the maximum
* value of its parameters (at least 2 parameters must be passed)
D MaxInt PR 10I 0
D p1 10I 0 VALUE
D p2 10I 0 VALUE
D p3 10I 0 VALUE OPTIONS(*NOPASS)
D p4 10I 0 VALUE OPTIONS(*NOPASS)
D p5 10I 0 VALUE OPTIONS(*NOPASS)
D Fld1 S 10A DIM(40)
D Fld2 S 20A
D Fld3 S 100A
CL0N01Factor1+++++0pcode(E)+Factor2+++++Result+++++Len++D+HiLoEq..
CL0N01Factor1+++++0pcode(E)+Extended-factor2+++++
C *ENTRY PLIST
C PARM MaxSize 10 0
C * Make sure the main procedure was passed a parameter
C IF %PARMS < 1
C 'No parms' DSPLY
C RETURN
C ENDIF
C * Determine the maximum size of Fld1, Fld2 and Fld3
C EVAL MaxSize = MaxInt(%size(Fld1:*ALL) :
C %size(Fld2) :
C %size(Fld3))
C 'MaxSize is' DSPLY MaxSize
C RETURN
```

Figure 215. %PARMS Example (Part 1 of 2)

## %PARMS (Return Number of Parameters)

```

DName+++++ETDsFrom+++To/L+++IDc.Keywords+++++
*-----
* MaxInt - return the maximum value of the passed parameters
*-----
P MaxInt B
D MaxInt PI 10I 0
D p1 10I 0 VALUE
D p2 10I 0 VALUE
D p3 10I 0 VALUE OPTIONS(*NOPASS)
D p4 10I 0 VALUE OPTIONS(*NOPASS)
D p5 10I 0 VALUE OPTIONS(*NOPASS)
D Max S 10I 0 INZ(*LOVAL)
CL0N01Factor1+++++Opcode(E)+Factor2+++++Result+++++Len++D+HiLoEq..
CL0N01Factor1+++++Opcode(E)+Extended-factor2+++++
* Branch to the point in the calculations where we will never
* access unpassed parameters.
C SELECT
C WHEN %PARMS = 2
C GOTO PARMS2
C WHEN %PARMS = 3
C GOTO PARMS3
C WHEN %PARMS = 4
C GOTO PARMS4
C WHEN %PARMS = 5
C GOTO PARMS5
C ENDSL
* Determine the maximum value. Max was initialized to *LOVAL.
C PARMS5 TAG
C IF p5 > Max
C EVAL Max = p5
C ENDF
*
C PARMS4 TAG
C IF p4 > Max
C EVAL Max = p4
C ENDF
*
C PARMS3 TAG
C IF p3 > Max
C EVAL Max = p3
C ENDF
*
C PARMS2 TAG
C IF p2 > Max
C EVAL Max = p2
C ENDF
C IF p1 > Max
C EVAL Max = p1
C ENDF
C RETURN Max
P MaxInt E

```

Figure 215. %PARMS Example (Part 2 of 2)



**%REALLOC (Reallocate Storage)**`%REALLOC(ptr:num)`

%REALLOC changes the heap storage pointed to by the first parameter to be the length specified in the second parameter. The heap storage pointed to by the returned pointer has the same value as the heap storage pointed to by *ptr*. If the new length is longer than the old length, the additional storage is uninitialized.

The first parameter must be a basing pointer value. The second parameter must be a non-float numeric value with zero decimal places. The length specified must be between 1 and 16776704.

The function returns a pointer to the allocated storage. This may be the same as *ptr* or different. If the %REALLOC function is successful, the original pointer value specified in the first operand should not be used.

For more information, see “Memory Management Operations” on page 420.

If the operation cannot complete successfully, exception 00425 or 00426 is issued.

```

*.1....+....2....+....3....+....4....+....5....+....6....+....7....+....
/Free
// Allocate an area of 200 bytes
pointer = %ALLOC(200);
// Change the size of the area to 500 bytes
pointer = %REALLOC(pointer:500);
// Using two different pointers:
pointer2 = %REALLOC(pointer1:500);
pointer1 = *NULL;;
// The returned value was assigned to
// "pointer2", a different variable
// from the input pointer "pointer1".
// In this case, the value of "pointer1"
// is no longer valid, so "pointer1" must
// be set to *NULL to avoid using the
// old value.
/END-FREE

```

Figure 216. %REALLOC Example

## %REM (Return Integer Remainder)

---

## %REM (Return Integer Remainder)

`%REM(n:m)`

`%REM` returns the remainder that results from dividing operands `n` by `m`. The two operands must be numeric values with zero decimal positions. If either operand is a packed, zoned, or binary numeric value, the result is packed numeric. If either operand is an integer numeric value, the result is integer. Otherwise, the result is unsigned numeric. Float numeric operands are not allowed. The result has the same sign as the dividend. (See also “`%DIV (Return Integer Portion of Quotient)`” on page 482.)

`%REM` and `%DIV` have the following relationship:

`%REM(A:B) = A - (%DIV(A:B) * B)`

If the operands are constants that can fit in 8-byte integer or unsigned fields, constant folding is applied to the built-in function. In this case, the `%REM` built-in function can be coded in the definition specifications.

For more information, see “Arithmetic Operations” on page 398 or “Built-in Functions” on page 394.

```
*..1....+....2....+....3....+....4....+....5....+....6....+....7....+....
D*Name+++++ETDsFrom+++To/L+++IDc.Keywords+++++
D A S 10I 0 INZ(123)
D B S 10I 0 INZ(27)
D DIV S 10I 0
D REM S 10I 0
D E S 10I 0

/FREE
 DIV = %DIV(A:B); // DIV is now 4
 REM = %REM(A:B); // REM is now 15
 E = DIV*B + REM; // E is now 123
/END-FREE
```

Figure 217. `%DIV` and `%REM` Example

---

**%REPLACE (Replace Character String)**

```
%REPLACE(replacement string: source string{:start position {:source
length to replace}})
```

%REPLACE returns the character string produced by inserting a replacement string into the source string, starting at the start position and replacing the specified number of characters.

The first and second parameter must be of type character, graphic, or UCS-2 and can be in either fixed- or variable-length format. The second parameter must be the same type as the first.

The third parameter represents the starting position, measured in characters, for the replacement string. If it is not specified, the starting position is at the beginning of the source string. The value may range from one to the current length of the source string plus one.

The fourth parameter represents the number of characters in the source string to be replaced. If zero is specified, then the replacement string is inserted before the specified starting position. If the parameter is not specified, the number of characters replaced is the same as the length of the replacement string. The value must be greater than or equal to zero, and less than or equal to the current length of the source string.

The starting position and length may be any numeric value or numeric expression with no decimal positions.

The returned value is varying length if the source string or replacement string are varying length, or if the start position or source length to replace are variables. Otherwise, the result is fixed length.

For more information, see “String Operations” on page 429 or “Built-in Functions” on page 394.

## %REPLACE (Replace Character String)

```
*..1....+....2....+....3....+....4....+....5....+....6....+....7....+....
D*Name+++++ETDsFrom+++To/L+++IDc.Keywords+++++
D var1 S 30A INZ('Windsor') VARYING
D var2 S 30A INZ('Ontario') VARYING
D var3 S 30A INZ('Canada') VARYING
D fixed1 S 15A INZ('California')
D date S D INZ(D'1997-02-03')
D result S 100A VARYING

/FREE
 result = var1 + ', ' + 'ON';
 // result = 'Windsor, ON'

 // %REPLACE with 2 parameters to replace text at beginning of string:
 result = %replace ('Toronto': result);
 // result = 'Toronto, ON'

 // %REPLACE with 3 parameters to replace text at specified position:
 result = %replace (var3: result: %scan(',': result) + 2);
 // result = 'Toronto, Canada'

 // %REPLACE with 4 parameters to insert text:
 result = %replace ('', ' + var2: result: %scan(',': result): 0);
 // result = 'Toronto, Ontario, Canada'

 // %REPLACE with 4 parameters to replace strings with different length
 result = %replace ('Scarborough': result:
 1: %scan(',': result) - 1);
 // result = 'Scarborough, Ontario, Canada'

 // %REPLACE with 4 parameters to delete text:
 result = %replace (': result: 1: %scan(',': result) + 1);
 // result = 'Ontario, Canada'

 // %REPLACE with 4 parameters to add text to the end of the string:
 result = %replace ('', ' + %char(date): result:
 %len (result) + 1: 0);
 // result = 'Ontario, Canada, 1997-02-03'

 // %REPLACE with 3 parameters to replace fixed-length text at
 // specified position: (fixed1 has fixed-length of 15 chars)
 result = %replace (fixed1: result: %scan(',': result) + 2);
 // result = 'Ontario, California -03'

 // %REPLACE with 4 parameters to prefix text at beginning:
 result = %replace ('Somewhere else: ': result: 1: 0);
 // result = 'Somewhere else: Ontario, California -03'
/END-FREE
```

Figure 218. %REPLACE Example

---

## **%SCAN (Scan for Characters)**

`%SCAN(search argument : source string [: start])`

`%SCAN` returns the first position of the search argument in the source string, or 0 if it was not found. If the start position is specified, the search begins at the starting position. The result is always the position in the source string even if the starting position is specified. The starting position defaults to 1.

The first parameter must be of type character, graphic, or UCS-2. The second parameter must be the same type as the first parameter. The third parameter, if specified, must be numeric with zero decimal positions.

When any parameter is variable in length, the values of the other parameters are checked against the current length, not the maximum length.

The type of the return value is unsigned integer. This built-in function can be used anywhere that an unsigned integer expression is valid.

#  
#  
#  
#

If the search argument contains trailing blanks, the scan will include those trailing blanks. For example if 'b' represents a blank, `%SCAN('12b':'12312b')` would return 4. If trailing blanks should not be considered in the scan, use `%TRIMR` on the search argument. For example `%SCAN(%TRIMR('12b'):'12312b')` would return 1.

For more information, see “String Operations” on page 429 or “Built-in Functions” on page 394.

**Note:** Unlike the `SCAN` operation code, `%SCAN` cannot return an array containing all occurrences of the search string and its results cannot be tested using the `%FOUND` built-in function.

## %SCAN (Scan for Characters)

```
*..1....+....2....+....3....+....4....+....5....+....6....+....7...+....
D*Name+++++ETDsFrom+++To/L+++IDc.Keywords+++++
D source S 15A inz ('Dr. Doolittle')
D pos S 5U 0
D posTrim S 5U 0
D posVar S 5U 0
D srchFld S 10A
D srchFldVar S 10A varying
/FREE
 pos = %scan ('oo' : source);
 // After the EVAL, pos = 6 because 'oo' begins at position 6 in
 // 'Dr. Doolittle'.
 pos = %scan ('D' : source : 2);
 // After the EVAL, pos = 5 because the first 'D' found starting from
 // position 2 is in position 5.
 pos = %scan ('abc' : source);
 // After the EVAL, pos = 0 because 'abc' is not found in
 // 'Dr. Doolittle'.
 pos = %scan ('Dr.' : source : 2);
 // After the EVAL, pos = 0 because 'Dr.' is not found in
 // 'Dr. Doolittle', if the search starts at position 2.
 srchFld = 'Dr.';
 srchFldVar = 'Dr.';
 pos = %scan (srchFld : source);
 posTrim = %scan (%trimr(srchFld) : source);
 posVar = %scan (srchFldVar : source);
 // After the EVAL, pos = 0 because srchFld is a 10-byte field, so
 // the search argument is 'Dr.' followed by seven blanks. However,
 // posTrim and posVar are both 1, since the %TRIMR and srchFldVar
 // scans both use a 3-byte search argument 'Dr.', no trailing blanks.
/END-FREE
```

Figure 219. %SCAN Example

---

## **%SECONDS (Number of Seconds)**

`%SECONDS(number)`

`%SECONDS` converts a number into a duration that can be added to a time or timestamp value.

`%SECONDS` can only be the right-hand value in an addition or subtraction operation. The left-hand value must be a time or timestamp. The result is a time or timestamp value with the appropriate number of seconds added or subtracted. For a time, the resulting value is in \*ISO format.

For an example of date and time arithmetic operations, see Figure 209 on page 514.

For more information, see “Date Operations” on page 412 or “Built-in Functions” on page 394.

## %SHTDN (Shut Down)

---

### %SHTDN (Shut Down)

%SHTDN

%SHTDN returns '1' if the system operator has requested shutdown; otherwise, it returns '0'. See "SHTDN (Shut Down)" on page 769 for more information.

For more information, see "Information Operations" on page 419 or "Built-in Functions" on page 394.

```
*..1....+....2....+....3....+....4....+....5....+....6....+....7...+....
/FREE
 // If the operator has requested shutdown, quit the
 // program.

 IF %SHTDN;
 QuitProgram();
 ENDIF;
/END-FREE
```

Figure 220. %SHTDN Example



---

**%SIZE (Get Size in Bytes)**

```
%SIZE(variable)
%SIZE(literal)
%SIZE(array{:*ALL})
%SIZE(table{:*ALL})
%SIZE(multiple occurrence data structure{:*ALL})
```

`%SIZE` returns the number of bytes occupied by the constant or field. The argument may be a literal, a named constant, a data structure, a data structure subfield, a field, an array or a table name. It cannot contain an expression, but some constant-valued built-in functions and constant expressions may be accepted. The value returned is in unsigned integer format (type U).

For a graphic literal, the size is the number of bytes occupied by the graphic characters, not including leading and trailing shift characters. For a hexadecimal or UCS-2 literal, the size returned is half the number of hexadecimal digits in the literal.

For variable-length fields, `%SIZE` returns the total number of bytes occupied by the field (two bytes longer than the declared maximum length).

The length returned for a null-capable field (`%SIZE`) is always its full length, regardless of the setting of its null indicator.

If the argument is an array name, table name, or multiple occurrence data structure name, the value returned is the size of one element or occurrence. If `*ALL` is specified as the second parameter for `%SIZE`, the value returned is the storage taken up by all elements or occurrences. For a multiple-occurrence data structure containing pointer subfields, the size may be greater than the size of one occurrence times the number of occurrences. The system requires that pointers be placed in storage at addresses evenly divisible by 16. As a result, the length of each occurrence may have to be increased enough to make the length an exact multiple of 16 so that the pointer subfields will be positioned correctly in storage for every occurrence.

`%SIZE` may be specified anywhere that a numeric constant is allowed on the definition specification and in an expression in the extended factor 2 field of the calculation specification.

For more information, see “Size Operations” on page 429 or “Built-in Functions” on page 394.

## %SIZE (Get Size in Bytes)

```

*..1....+....2....+....3....+....4....+....5....+....6....+....7....+....
D*Name+++++ETDsFrom+++To/L+++IDc.Keywords+++++
D arr1 S 10 DIM(4)
D table1 S 5 DIM(20)
D field1 S 10
D field2 S 9B 0
D field3 S 5P 2
D num S 5P 0
D mds DS 20 occurs(10)
D mds_size C const (%size (mds: *all))
D mds_ptr DS 20 OCCURS(10)
D pointer *
D vCity S 40A VARYING INZ('North York')
D fCity S 40A INZ('North York')

/FREE
num = %SIZE(field1); // 10
num = %SIZE('HH'); // 2
num = %SIZE(123.4); // 4
num = %SIZE(-03.00); // 4
num = %SIZE(arr1); // 10
num = %SIZE(arr1:*ALL); // 40
num = %SIZE(table1); // 5
num = %SIZE(table1:*ALL); // 100
num = %SIZE(mds); // 20
num = %SIZE(mds:*ALL); // 200
num = %SIZE(mds_ptr); // 20
num = %SIZE(mds_ptr:*ALL); // 320
num = %SIZE(field2); // 4
num = %SIZE(field3); // 3
n1 = %SIZE(vCity); // 42
n2 = %SIZE(fCity); // 40
/END-FREE

```

Figure 221. %SIZE Example

---

## **%SQRT (Square Root of Expression)**

`%SQRT(numeric expression)`

`%SQRT` returns the square root of the specified numeric expression. If the operand is of type float, the result is of type float; otherwise, the result is packed decimal numeric. If the parameter has a value less than zero, exception 00101 is issued.

For more information, see “Arithmetic Operations” on page 398 or “Built-in Functions” on page 394.

```
*.1....+....2....+....3....+....4....+....5....+....6....+....7....+....
D n S 10I 0
D p S 9P 2
D f S 4F

/FREE

n = %SQRT(239874);
// n = 489

p = %SQRT(239874);
// p = 489.76

f = %SQRT(239874);
// f = 489.7693
/END-FREE
```

Figure 222. `%SQRT` Example

## **%STATUS (Return File or Program Status)**

---

### **%STATUS (Return File or Program Status)**

`%STATUS{(file_name)}`

`%STATUS` returns the most recent value set for the program or file status.

`%STATUS` is set whenever the program status or any file status changes, usually when an error occurs.

If `%STATUS` is used without the optional `file_name` parameter, then it returns the program or file status most recently changed. If a file is specified, the value contained in the INFDS `*STATUS` field for the specified file is returned. The INFDS does not have to be specified for the file.

`%STATUS` starts with a return value of 00000 and is reset to 00000 before any operation with an 'E' extender specified begins.

`%STATUS` is best checked immediately after an operation with the 'E' extender or an error indicator specified, or at the beginning of an INFSR or the \*PSSR subroutine.

For more information, see "File Operations" on page 416, "Result Operations" on page 429, or "Built-in Functions" on page 394.

## %STATUS (Return File or Program Status)

```
*..1....+....2....+....3....+....4....+....5....+....6....+....7....+....
* The 'E' extender indicates that if an error occurs, the error
* is to be handled as though an error indicator were coded.
* The success of the operation can then be checked using the
* %ERROR built-in function. The status associated with the error
* can be checked using the %STATUS built-in function.
/FREE
 exfmt(e) InFile;
 if %error;
 exsr CheckError;
 endif;

//-----
// CheckError: Subroutine to process a file I/O error
//-----
 begsr CheckError;
 select;
 when %status < 01000;

 // No error occurred
 when %status = 01211;
 // Attempted to read a file that was not open
 exsr InternalError;

 when %status = 01331;
 // The wait time was exceeded for a READ operation
 exsr TimeOut;

 when %status = 01261;
 // Operation to unacquired device
 exsr DeviceError;

 when %status = 01251;
 // Permanent I/O error
 exsr PermError;

 other;
 // Some other error occurred
 exsr FileError;
 ends1;
 endsr;
/END-FREE
```

Figure 223. %STATUS and %ERROR with 'E' Extender

## %STATUS (Return File or Program Status)

```

DName+++++ETDsFrom+++To/L+++IDc.Keywords+++++
D Zero S 5P 0 INZ(0)
CL0N01Factor1+++++Opcode(E)+Factor2+++++Result+++++Len++D+HiLoEq....
* %STATUS starts with a value of 0
*
* The following SCAN operation will cause a branch to the *PSSR
* because the start position has a value of 0.
C 'A' SCAN 'ABC':Zero Pos
C BAD_SCAN TAG
* The following EXFMT operation has an 'E' extender, so %STATUS will
* be set to 0 before the operation begins. Therefore, it is
* valid to check %STATUS after the operation.
* Since the 'E' extender was coded, %ERROR can also be used to
* check if an error occurred.
C EXFMT(E) REC1
C IF %ERROR
C SELECT
C WHEN %STATUS = 01255
C ...
C WHEN %STATUS = 01299
C ...
* The following scan operation has an error indicator. %STATUS will
* not be set to 0 before the operation begins, but %STATUS can be
* reasonably checked if the error indicator is on.
C 'A' SCAN 'ABC':Zero Pos 10
C IF *IN10 AND %STATUS = 00100
C ...

* The following scan operation does not produce an error.
* Since there is no 'E' extender %STATUS will not be set to 0,
* so it would return a value of 00100 from the previous error.
* Therefore, it is unwise to use %STATUS after an operation that
* does not have an error indicator or the 'E' extender coded since
* you cannot be sure that the value pertains to the previous
* operation.
C 'A' SCAN 'ABC' Pos
C ...
C *PSSR BEGSR
* %STATUS can be used in the *PSSR since an error must have occurred.
C IF %STATUS = 00100
C GOTO BAD_SCAN
C ...

```

Figure 224. %STATUS and %ERROR with 'E' Extender, Error Indicator and \*PSSR

---

## **%STR (Get or Store Null-Terminated String)**

`%STR(basing pointer{: max-length})(right-hand-side)`  
`%STR(basing pointer : max-length)(left-hand-side)`

`%STR` is used to create or use null-terminated character strings, which are very commonly used in C and C++ applications.

The first parameter must be a basing-pointer value. (Any basing pointer expression is valid, such as `"%ADDR(DATA)"` or `"P+1"`.) The second parameter, if specified, must be a numeric value with zero decimal positions. If not specified, it defaults to 65535.

The first parameter must point to storage that is at least as long as the length given by the second parameter.

Error conditions:

1. If the length parameter is not between 1 and 65535, an error will occur.
2. If the pointer is not set, an error will occur.
3. If the storage addressed by the pointer is shorter than indicated by the length parameter, either
  - a. An error will occur
  - b. Data corruption will occur.

For more information, see “String Operations” on page 429 or “Built-in Functions” on page 394.

### **%STR Used to Get Null-Terminated String**

When used on the right-hand side of an expression, this function returns the data pointed to by the first parameter up to but not including the first null character (x'00') found within the length specified. This built-in function can be used anywhere that a character expression is valid. No error will be given at run time if the null terminator is not found within the length specified. In this case, the length of the resulting value is the same as the length specified.

```
*..1....+....2....+....3....+....4....+....5....+....6....+....7....+....
D String1 S *
D Fld1 S 10A

/FREE
 Fld1 = '<' + %str(String1) + '>';
// Assuming that String1 points to '123~' where '~' represents the
// null character, after the EVAL, Fld1 = '<123> '.
/END-FREE
```

Figure 225. `%STR` (right-hand-side) Example 1

The following is an example of `%STR` with the second parameter specified.

## %STR Used to Get Null-Terminated String

```
*..1....+....2....+....3....+....4....+....5....+....6....+....7....+....
D String1 S *
D Fld1 S 10A

/FREE
 Fld1 = '<' + %str(String1 : 2) + '>';
 // Assuming that String1 points to '123-' where '-' represents the
 // null character, after the EVAL, Fld1 = '<12> '.
 // Since the maximum length read by the operation was 2, the '3' and
 // the '-' were not considered.
/END-FREE
```

Figure 226. %STR (right-hand-side) Example 2

In this example, the null-terminator is found within the specified maximum length.

```
*..1....+....2....+....3....+....4....+....5....+....6....+....7....+....
D String1 S *
D Fld1 S 10A

/FREE
 Fld1 = '<' + %str(String1 : 5) + '>';
 // Assuming that String1 points to '123-' where '-' represents the
 // null character, after the EVAL, Fld1 = '<123> '.
 // Since the maximum length read by the operation was 5, the
 // null-terminator in position 4 was found so all the data up to
 // the null-terminator was used.
/END-FREE
```

Figure 227. %STR (right-hand-side) Example 3

## %STR Used to Store Null-Terminated String

When used on the left-hand side of an expression, %STR(ptr:length) assigns the value of the right-hand side of the expression to the storage pointed at by the pointer, adding a null-terminating byte at the end. The maximum length that can be specified is 65535. This means that at most 65534 bytes of the right-hand side can be used, since 1 byte must be reserved for the null-terminator at the end.

The length indicates the amount of storage that the pointer points to. This length should be greater than the maximum length the right-hand side will have. The pointer must be set to point to storage at least as long as the length parameter. If the length of the right-hand side of the expression is longer than the specified length, the right-hand side value is truncated.

**Note:** Data corruption will occur if both of the following are true:

1. The length parameter is greater than the actual length of data addressed by the pointer.
2. The length of the right-hand side is greater than or equal to the actual length of data addressed by the pointer.

If you are dynamically allocating storage for use by %STR, you must keep track of the length that you have allocated.



```
*..1....+....2....+....3....+....4....+....5....+....6....+....7....+....
D String1 S *
D Fld1 S 10A

/FREE
 %str(String1: 25)= 'abcdef';
 // The storage pointed at by String1 now contains 'abcdef-'
 // Bytes 8-25 following the null-terminator are unchanged.

 %str (String1: 4) = 'abcdef';
 // The storage pointed at by String1 now contains 'abc-'
/END-FREE
```

Figure 228. %STR (left-hand-side) Examples

---

## # %SUBARR (Set/Get Portion of an Array)

```
%SUBARR(array:start-index[:number-of-elements])
```

```
Built-in function %SUBARR returns a section of the specified array starting at
start-index. The number of elements returned is specified by the optional
number-of-elements parameter. If not specified, the number-of-elements defaults to the
remainder of the array.
```

```
The first parameter of %SUBARR must be an array. That is, a standalone field, data
structure, or subfield defined as an array. The first parameter must not be a table
name or procedure call.
```

```
The start-index parameter must be a numeric value with zero decimal positions. A
float numeric value is not allowed. The value must be greater than or equal to 1
and less than or equal to the number of elements of the array.
```

```
The optional number-of-elements parameter must be a numeric value with zero
decimal positions. A float numeric value is not allowed. The value must be greater
than or equal to 1 and less than or equal to the number of elements remaining in
the array after applying the start-index value.
```

```
Generally, %SUBARR is valid in any expression where an unindexed array is
allowed. However, %SUBARR cannot be used in the following places:
```

- # • as the array argument of built-in function %LOOKUPxx
- # • as a parameter passed by reference

```
%SUBARR may be used in the following ways:
```

- # • On the left-hand side of an assignment using EVAL or EVALR. This changes the
# specified elements in the specified array.
- # • Within the expression on the right-hand side of an assignment using EVAL or
# EVALR where the target of the assignment is an array. This uses the values of
# the specified elements of the array. The array elements are used directly; a
# temporary copy of the sub-array is not made.
- # • In Extended Factor 2 of the SORTA operation.
- # • In Extended Factor 2 of the RETURN operation.
- # • Passed by VALUE or by read-only reference (CONST keyword) when the
# corresponding parameter is defined as an array.
- # • As the parameter of the %XFOOT built-in function.

## %SUBARR (Set/Get Portion of an Array)

```
For more information, see "Array Operations" on page 402 or "Built-in Functions"
on page 394.
#
D a s 10i 0 dim(5)
D b s 10i 0 dim(15)
D resultArr s 10i 0 dim(20)
D sum s 20i 0
/free
a(1)=9;
a(2)=5;
a(3)=16;
a(4)=13;
a(5)=3;
// Copy part of an array to another array:
resultArr = %subarr(a:4:n);
// this is equivalent to:
// resultArr(1) = a(4)
// resultArr(2) = a(5)
// ...
// resultArr(n) = a(4 + n - 1)
#
// Copy part of an array to part of another array:
%subarr(b:3:n) = %subarr(a:m:n);
// Specifying the array from the start element to the end of the array
// B has 15 elements and A has 5 elements. Starting from element 2
// in array A means that only 4 elements will be copied to array B.
// The remaining elements in B will not be changed.
b = %subarr(a : 2);
#
// Sort a subset of an array:
sorta %subarr(a:1:4);
// Now, A=(5 9 13 16 3);
// Since only 4 elements were sorted, the fifth element
// is out of order.
// Using %SUBARR in an implicit array indexing assignment
resultArr = b + %subarr(a:2:3)
// this is equivalent to:
// resultArr(1) = b(1) + a(2)
// resultArr(2) = b(2) + a(3)
// resultArr(3) = b(3) + a(4)
#
// Using %SUBARR nested within an expression
resultArr = %trim(%subst(%subarr(stringArr:i):j));
// this is equivalent to:
// resultArr(1) = %trim(%subst(stringArr(i+0):j))
// resultArr(2) = %trim(%subst(stringArr(i+1):j))
// resultArr(3) = %trim(%subst(stringArr(i+2):j))
#
// Sum a subset of an array
sum = %xfoot (%subarr(a:2:3));
// Now sum = 9 + 13 + 16 = 38
#
#
Figure 229. Using %SUBARR
#
#
```

## %SUBARR (Set/Get Portion of an Array)

```
// Using %SUBARR with dynamically allocated arrays
#
D dynArrInfo ds qualified
D numAlloc 10i 0 inz(0)
D current 10i 0 inz(0)
D p *
D dynArr s 5a dim(32767) based(dynArrInfo.p)
D otherArray s 3a dim(10) inz('xy')
/free
// Start the array with an allocation of five elements,
// and with two current elements
dynArrInfo.numAlloc = 5;
dynArrInfo.p = %alloc(%size(dynArr) *
dynArrInfo.numAlloc);
dynArrInfo.current = 2;
// Initialize to blanks
%subarr(dynArr : 1 : dynArrInfo.current) = *blank;
#
// Set the two elements to some values
dynArr(1) = 'Dog'; dynArr(2) = 'Cat';
#
// Sort the two elements
sorta %subarr(dynArr : 1 : dynArrInfo.current);
// dynArr(1) = 'Cat'
// dynArr(2) = 'Dog'
#
// Assign another array to the two elements
otherArray(1) = 'ab';
otherArray(2) = 'cd';
otherArray(3) = 'ef';
%subarr(dynArr : 1 : dynArrInfo.current) = otherArray;
// dynArr(1) = 'ab'
// dynArr(2) = 'cd'
#
// Changing the size of the array
oldElems = dynArrInfo.current;
dynArrInfo.current = 7;
if (dynArrInfo.current > dynArrInfo.alloc);
dynArrInfo.p = %realloc (dynArrInfo.p : dynArrInfo.current);
dynArrInfo.numAlloc = dynArrInfo.current;
endif;
if (oldElems < dynArrInfo.current);
// Initialize new elements to blanks
%subarr(dynArr : oldElems + 1 : dynArrInfo.current - oldElems);
endif;
#
#
#
```

Figure 230. Using %SUBARR with dynamically allocated arrays

### CAUTION:

It is valid to use %SUBARR to assign part of an array to another part of the same array. However, if the source part of the array overlaps the target part of the array, unpredictable results can occur.

For more information, see “Built-in Functions” on page 394.

## %SUBDT (Extract a Portion of a Date, Time, or Timestamp)

---

### %SUBDT (Extract a Portion of a Date, Time, or Timestamp)

```
%SUBDT (value:*MSECONDS|*SECONDS|*MINUTES|*HOURS|*DAYS|*MONTHS|*YEARS)
%SUBDT (value:*MS|*S|*MN|*H|*D|*M|*Y)
```

%SUBDT extracts a portion of the information in a date, time, or timestamp value. It returns an unsigned numeric value.

The first parameter is the date, time, or timestamp value.

The second parameter is the portion that you want to extract. The following values are valid:

- For a date: \*DAYS, \*MONTHS, and \*YEARS
- For a time: \*SECONDS, \*MINUTES, and \*HOURS
- For a timestamp: \*MSECONDS, \*SECONDS, \*MINUTES, \*HOURS, \*DAYS, \*MONTHS, and \*YEARS

For this function, \*DAYS always refers to the day of the month not the day of the year (even if you are using a Julian date format). For example, the day portion of February 10 is 10 not 41.

This function always returns a 4-digit year, even if the date format has a 2-digit year.

For more information, see “Date Operations” on page 412 or “Built-in Functions” on page 394.

```
*. . 1 . . . + . . . 2 . . . + . . . 3 . . . + . . . 4 . . . + . . . 5 . . . + . . . 6 . . . + . . . 7 . . . + . . .
/FREE

 date = d'1999-02-17';
 time = t'01.23.45';

 num = %subdt(date:*YEARS);
 // num = 1999

 num = %subdt(time:*MN);
 // num = 23
/END-FREE
```

Figure 231. %SUBDT Example

---

**%SUBST (Get Substring)**

```
%SUBST(string:start{:length})
```

%SUBST returns a portion of argument string. It may also be used as the result of an assignment with the EVAL operation code.

The start parameter represents the starting position of the substring.

The length parameter represents the length of the substring. If it is not specified, the length is the length of the string parameter less the start value plus one.

The string must be character, graphic, or UCS-2 data. Starting position and length may be any numeric value or numeric expression with zero decimal positions. The starting position must be greater than zero. The length may be greater than or equal to zero.

When the string parameter is varying length, the values of the other parameters are checked against the current length, not the maximum length.

When specified as a parameter for a definition specification keyword, the parameters must be literals or named constants representing literals. When specified on a free-form calculation specification, the parameters may be any expression.

For more information, see “String Operations” on page 429 or “Built-in Functions” on page 394.

**%SUBST Used for its Value**

%SUBST returns a substring from the contents of the specified string. The string may be any character, graphic, or UCS-2 field or expression. Unindexed arrays are allowed for string, start, and length. The substring begins at the specified starting position in the string and continues for the length specified. If length is not specified then the substring continues to the end of the string. For example:

```
The value of %subst('Hello World': 5+2) is 'World'
The value of %subst('Hello World':5+2:10-7) is 'Wor'
The value of %subst('abcd' + 'efgh':4:3) is 'def'
```

For graphic or UCS-2 characters the start position and length is consistent with the 2-byte character length (position 3 is the third 2-byte character and length 3 represents 3 2-byte characters to be operated on).

Figure 232 on page 544 shows an example of the %SUBST built-in function used for its value.

**%SUBST Used as the Result of an Assignment**

When used as the result of an assignment this built-in function refers to certain positions of the argument string. Unindexed arrays are not allowed for start and length.

The result begins at the specified starting position in the variable and continues for the length specified. If the length is not specified then the string is referenced to its end. If the length refers to characters beyond the end of the string, then a run-time error is issued.

## %SUBST Used as the Result of an Assignment

When %SUBST is used as the result of an assignment, the first parameter must refer to a storage location. That is, the first parameter of the %SUBST operation must be one of the following.

- Field
- Data Structure
- Data Structure Subfield
- Array Name
- Array Element
- Table Element

Any valid expressions are permitted for the second and third parameters of %SUBST when it appears as the result of an assignment with an EVAL operation.

```
CL0N01Factor1++++++0opcode(E)+Extended-factor2++++++
*
* In this example, CITY contains 'Toronto, Ontario'
* %SUBST returns the value 'Ontario'.
*
C ' ' SCAN CITY C
C ' ' IF %SUBST(CITY:C+1) = 'Ontario'
C ' ' EVAL CITYCNT = CITYCNT+1
C ' ' ENDIF
*
* Before the EVAL, A has the value 'abcdefghijklmno'.
* After the EVAL A has the value 'ab****ghijklmno'
*
C ' ' EVAL %SUBST(A:3:4) = '****'
```

Figure 232. %SUBST Example

## %THIS (Return Class Instance for Native Method)

%THIS

%THIS returns an Object value that contains a reference to the class instance on whose behalf the native method is being called. %THIS is valid only in non-static native methods. This built-in gives non-static native methods access to the class instance.

A non-static native method works on a specific instance of its class. This object is actually passed as a parameter to the native method by Java, but it does not appear in the prototype or procedure interface for the native method. In a Java method, the object instance is referred to by the Java reserved word *this*. In an RPG native method, the object instance is referred to by the %THIS built-in function.

```
* Method "vacationDays" is a method in the class 'Employee'
D vacationDays PR 10I 0 EXTPROC(*JAVA
D : 'Employee'
D : 'vacationDays')

* Method "getId" is another method in the class 'Employee'
D getId PR 10I 0 EXTPROC(*JAVA
D : 'Employee'
D : 'getId')
...
* "vacationDays" is an RPG native method. Since the STATIC keyword
* is not used, it is an instance method.
P vacationDays B EXPORT
D vacationDays PI 10I 0

D id_num S 10I 0

* Another Employee method must be called to get the Employee's
* id-number. This method requires an Object of class Employee.
* We use %THIS as the Object parameter, to get the id-number for
* the object that our native method "vacationDays" is working on.
C eval id_num = getId(%THIS)
C id_num chain EMPFILE
C if %found
C return VACDAYS
C else
C return -1
C endif

P vacationDays E
```

Figure 233. %THIS Example

## %TIME (Convert to Time)

---

### %TIME (Convert to Time)

```
%TIME{(expression{:time-format})}
```

%TIME converts the value of the expression from character, numeric, or timestamp data to type time. The converted value remains unchanged, but is returned as a time.

The first parameter is the value to be converted. If you do not specify a value, %TIME returns the current system time.

The second parameter is the time format for numeric or character input. Regardless of the input format, the output is returned in \*ISO format.

For information on the input formats that can be used, see “Time Data Type” on page 198. If the time format is not specified for numeric or character input, the default value is either the format specified on the TIMFMT control-specification keyword or \*ISO. For more information, see “TIMFMT(fmt{separator})” on page 262.

If the first parameter is a timestamp, do not specify the second parameter. The system knows the format of the input in this case.

For more information, see “Information Operations” on page 419 or “Built-in Functions” on page 394.

```
*,.1....+....2....+....3....+....4....+....5....+....6....+....7....+....
/FREE

 string = '12:34 PM';
 time = %time(string:*USA);
 // time = t'12.34.00'
/END-FREE
```

Figure 234. %TIME Example



---

## **%TIMESTAMP (Convert to Timestamp)**

```
%TIMESTAMP{(expression{:*ISO|*ISO0})}
```

%TIMESTAMP converts the value of the expression from character, numeric, or date data to type timestamp. The converted value is returned as a timestamp.

The first parameter is the value to be converted. If you do not specify a value, %TIMESTAMP returns the current system timestamp.

The second parameter is the timestamp format for character input. Regardless of the input format, the output is returned in \*ISO format. You can specify either \*ISO (the default) or \*ISO0. For more information, see “Timestamp Data Type” on page 199.

If the first parameter is numeric, you do not need to specify the second parameter. The only allowed value is \*ISO (the default).

If the first parameter is a date, do not specify the second parameter. The system converts the date from its current format to \*ISO format and adds 00.00.00.0000.

For more information, see “Information Operations” on page 419 or “Built-in Functions” on page 394.

```
*.1...+...2...+...3...+...4...+...5...+...6...+...7...+...
/FREE

string = '1960-09-29-12.34.56.000000';
timest = %timestamp(string);
// timest now contains z'1960-09-29-12.34.56.000000'
/END-FREE
```

Figure 235. %TIMESTAMP Example

## %TLOOKUPxx (Look Up a Table Element)

---

### %TLOOKUPxx (Look Up a Table Element)

```
%TLOOKUP(arg : search-table {: alt-table})
%TLOOKUPLT(arg : search-table {: alt-table})
%TLOOKUPGE(arg : search-table {: alt-table})
%TLOOKUPGT(arg : search-table {: alt-table})
%TLOOKUPLE(arg : search-table {: alt-table})
```

The following functions search *search-table* for a value that matches *arg* as follows:

**%TLOOKUP** An exact match.

**%TLOOKUPLT**  
The value that is closest to *arg* but less than *arg*.

**%TLOOKUPLE**  
An exact match, or the value that is closest to *arg* but less than *arg*.

**%TLOOKUPGT**  
The value that is closest to *arg* but greater than *arg*.

**%TLOOKUPGE**  
An exact match, or the value that is closest to *arg* but greater than *arg*.

If a value meets the specified condition, the current table element for the search table is set to the element that satisfies the condition, the current table element for the alternate table is set to the same element, and the function returns the value \*ON.

If no value matches the specified condition, \*OFF is returned.

The first two parameters can have any type but must have the same type. They do not need to have the same length or number of decimal positions.

The ALTSEQ table is used, unless *arg* or *search-table* is defined with ALTSEQ(\*NONE).

Built-in functions %FOUND and %EQUAL are not set following a %LOOKUP operation.

**Note:** Unlike the LOOKUP operation code, %TLOOKUP applies only to tables. To look up a value in an array, use the %LOOKUP built-in function.

# The %TLOOKUPxx built-in functions use a binary search for sequenced tables  
# (tables that have the ASCEND or DESCEND keyword specified). See “Sequenced  
# arrays that are not in the correct sequence” on page 512.

For more information, see “Array Operations” on page 402 or “Built-in Functions” on page 394.

## %TLOOKUPxx (Look Up a Table Element)

```
*..1....+....2....+....3....+....4....+....5....+....6....+....7...+....
/FREE
*IN01 = %TLOOKUP('Paris':tab1);
IF %TLOOKUP('Thunder Bay':tab1:tab2);
 // code to handle Thunder Bay
ENDIF;
/END-FREE
```

Figure 236. %TLOOKUPxx Example

## %TRIM (Trim Characters at Edges)

---

### %TRIM (Trim Characters at Edges)

```
%TRIM(string {: characters to trim})

%TRIM with only one parameter returns the given string with any leading and
trailing blanks removed.

%TRIM with two parameters returns the given string with any leading and trailing
characters that are in the characters to trim parameter removed.
```

The string can be character, graphic, or UCS-2 data.

```
If the characters to trim parameter is specified, it must be the same type as the string
parameter.
```

When specified as a parameter for a definition specification keyword, the string parameter must be a constant.

**Note:** Specifying %TRIM with two parameters is not supported for parameters of Definition keywords.

For more information, see “String Operations” on page 429 or “Built-in Functions” on page 394.

```
*..1....+....2....+....3....+....4....+....5....+....6....+....7...+....
D*Name+++++++ETDsFrom+++To/L+++IDc.Keywords+++++++
D Location S 16A
D FirstName S 10A inz (' Chris ')
D LastName S 10A inz (' Smith ')

D Name S 20A

* LOCATION will have the value 'Toronto, Ontario'.
/FREE
 Location = %trim (' Toronto, Ontario ');

// Name will have the value 'Chris Smith! '
 Name = %trim (FirstName) + ' ' + %trim (LastName) + '!';
/END-FREE
```

Figure 237. %TRIM Example

## %TRIM (Trim Characters at Edges)

```
D edited S 20A INZ('$*****5.27*** ')
D trimmed S 20A varying
D numeric S 15P 3
/FREE

// Trim '$' and '*' from the edited numeric value
// Note: blanks will not be trimmed, since a blank
// is not specified in the 'characters to trim' parameter

trimmed = %trim(edited : '$*');
// trimmed is now '5.27*** '

// Trim '$' and '*' and blank from the edited numeric value

trimmed = %trim(edited : '$* ');
// trimmed is now '5.27'

// Get the numeric value from the edited value

numeric = %dec(%trim(edited : '$* ') : 31 : 9);
// numeric is now 5.27
```

Figure 238. Trimming characters other than blank

## %TRIML (Trim Leading Characters)

---

### %TRIML (Trim Leading Characters)

```
%TRIML(string {: characters to trim})
#
%TRIML with only one parameter returns the given string with any leading blanks
removed.
#
%TRIML with two parameters returns the given string with any leading characters
that are in the characters to trim parameter removed.
```

The string can be character, graphic, or UCS-2 data.

```
If the characters to trim parameter is specified, it must be the same type as the string
parameter.
```

When specified as a parameter for a definition specification keyword, the string parameter must be a constant.

**Note:** Specifying %TRIML with two parameters is not supported for parameters of Definition keywords.

For more information, see “String Operations” on page 429 or “Built-in Functions” on page 394.

```
*..1....+....2....+....3....+....4....+....5....+....6....+....7....+....
* LOCATION will have the value 'Toronto, Ontario ' .

/FREE
// Trimming blanks
Location = %triml(' Toronto, Ontario ');
// LOCATION now has the value 'Toronto, Ontario ' .

// Trimming other characters

trimmed = %triml('$*****5.27*** ' : '$* ');
// trimmed is now '5.27*** '
```

Figure 239. %TRIML Example

## %TRIMR (Trim Trailing Characters)

```
%TRIMR(string { : characters to trim})
#
%TRIMR with only one parameter returns the given string with any trailing blanks
removed.
#
%TRIMR with two parameters returns the given string with any trailing characters
that are in the characters to trim parameter removed.
```

The string can be character, graphic, or UCS-2 data.

```
If the characters to trim parameter is specified, it must be the same type as the string
parameter.
```

When specified as a parameter for a definition specification keyword, the string parameter must be a constant.

**Note:** Specifying %TRIMR with two parameters is not supported for parameters of Definition keywords.

For more information, see “String Operations” on page 429 or “Built-in Functions” on page 394.

```
*..1....+....2....+....3....+....4....+....5....+....6....+....7....+....
D*Name+++++++ETDsFrom+++To/L+++IDc.Keywords+++++++
D Location S 16A varying
D FirstName S 10A inz ('Chris')
D LastName S 10A inz ('Smith')
D Name S 20A varying

* LOCATION will have the value ' Toronto, Ontario'.
/FREE
 Location = %trim (' Toronto, Ontario ');

 // Name will have the value 'Chris Smith:'.
 Name = %trimr (FirstName) + ' ' + %trimr (LastName) + ':';
/END-FREE
```

Figure 240. %TRIMR Example

```
string = '(' + %trimr('$*****5.27*** ' : '$*') + ')';
// string is now '($*****5.27***)'
//
// Nothing has been trimmed from the right-hand side because
// the right-most character is a blank, and a blank does not
// appear in the 'characters to trim' parameter

string = '(' + %trimr('$*****5.27*** ' : '$ *') + ')';
// string is now '($*****5.27)'
```

Figure 241. Trimming characters other than blanks

## %UCS2 (Convert to UCS-2 Value)

### %UCS2 (Convert to UCS-2 Value)

%UCS2 converts the value of the expression from character, graphic, or UCS-2 and returns a UCS-2 value. The result is varying length if the parameter is varying length, or if the parameter is single-byte character.

The second parameter, *ccsid*, is optional and indicates the CCSID of the resulting expression. The CCSID defaults to 13488.

If the parameter is a constant, the conversion will be done at compile time.

If the conversion results in substitution characters, a warning message is issued at compile time. At run time, status 00050 is set and no error message is issued.

For more information, see “Conversion Operations” on page 410 or “Built-in Functions” on page 394.

```
HKeywords+++++
H CCSID(*UCS2 : 13488)
DName+++++ETDsFrom+++To/L+++IDc.Keywords+++++
D char S 5A INZ('abcde')
D graph S 2G INZ(G'oAABBi')
* The %UCS2 built-in function is used to initialize a UCS-2 field.
D ufield S 10C INZ(%UCS2('abcdefghij'))
D ufield2 S 1C CCSID(61952) INZ(*LOVAL)
D isLess S 1N
D proc PR
D uparm S 2G CCSID(13488) CONST
CL0N01Factor1+++++Opcode&ExtExtended-factor2+++++
C EVAL ufield = %UCS2(char) + %UCS2(graph)
* ufield now has 7 UCS-2 characters representing
* 'a.b.c.d.e.AABB' where 'x.' represents the UCS-2 form of 'x'
C EVAL isLess = ufield < %UCS2(ufield2:13488)
* The result of the %UCS2 built-in function is the value of
* ufield2, converted from CCSID 61952 to CCSID 13488
* for the comparison.

C EVAL ufield = ufield2
* The value of ufield2 is converted from CCSID 61952 to
* CCSID 13488 and stored in ufield.
* This conversion is handled implicitly by the compiler.

C CALLP proc(ufield2)
* The value of ufield2 is converted to CCSID 13488
* implicitly, as part of passing the parameter by constant reference.

Note: The graphic literal in this example is not a valid graphic literal. See “Graphic
Format” on page 173 for more information.
```

Figure 242. %UCS2 Examples



---

**%UNS (Convert to Unsigned Format)**

`%UNS(numeric or character expression)`

`%UNS` converts the value of the expression to unsigned format. Any decimal digits are truncated. `%UNS` can be used to truncate the decimal positions from a float or decimal value allowing it to be used as an array index.

If the parameter is a character expression, the following rules apply:

- The sign is optional. It can only be '+' . It can precede or follow the numeric data.
- The decimal point is optional. It can be either a period or a comma.
- Blanks are allowed anywhere in the data. For example, ' + 3 ' is a valid parameter.
- Floating point data is not allowed. That is, where the numeric value is followed by E and an exponent, for example '1.2E6'.
- If invalid numeric data is found, an exception occurs with status code 105

For more information, see "Conversion Operations" on page 410 or "Built-in Functions" on page 394.

Figure 243 on page 556 shows an example of the `%UNS` built-in function.

**%UNSH (Convert to Unsigned Format with Half Adjust)**

`%UNSH(numeric or character expression)`

`%UNSH` is the same as `%UNS` except that if the expression is a decimal, float or character value, half adjust is applied to the value of the expression when converting to integer type. No message is issued if half adjust cannot be performed.

For more information, see "Conversion Operations" on page 410 or "Built-in Functions" on page 394.

## %UNSH (Convert to Unsigned Format with Half Adjust)

```
*..1....+....2....+....3....+....4....+....5....+....6....+....7...+....
D*Name+++++ETDsFrom+++To/L+++IDc.Keywords+++++
D p7 s 7p 3 inz (8236.567)
D s9 s 9s 5 inz (23.73442)
D f8 s 8f inz (173.789)
D c15a s 15a inz (' 12345.6789 +')
D c15b s 15a inz (' + 5 , 6 7 ')
D result1 s 15p 5
D result2 s 15p 5
D result3 s 15p 5
D array s 1a dim (200)
D a s 1a

/FREE
// using numeric parameters
result1 = %uns (p7) + 0.1234; // "result1" is now 8236.12340
result2 = %uns (s9); // "result2" is now 23.00000
result3 = %unsh (f8); // "result3" is now 174.00000
// using character parameters
result1 = %uns (c15a); // "result1" is now 12345.0000
result2 = %unsh (c15b); // "result2" is now 6.00000
// %UNS and %UNSH can be used as array indexes
a = array (%unsh (f8));
/END-FREE
```

Figure 243. %UNS and %UNSH Example

---

## **%XFOOT (Sum Array Expression Elements)**

`%XFOOT(array-expression)`

`%XFOOT` results in the sum of all elements of the specified numeric array expression.

# The precision of the result is the minimum that can hold the result of adding together all array elements, up to a maximum of 63 digits. The number of decimal places in the result is always the same as the decimal places of the array expression.

For example, if `ARR` is an array of 500 elements of precision (17,4), the result of `%XFOOT(ARR)` is (20,4).

For `%XFOOT(X)` where `X` has precision (m,n), the following table shows the precision of the result based on the number of elements of `X`:

| Elements of X | Precision of %XFOOT(X) |
|---------------|------------------------|
| 1             | (m,n)                  |
| 2-10          | (m+1,n)                |
| 11-100        | (m+2,n)                |
| 101-1000      | (m+3,n)                |
| 1001-10000    | (m+4,n)                |
| 10001-32767   | (m+5,n)                |

Normal rules for array expressions apply. For example, if `ARR1` has 10 elements and `ARR2` has 20 elements, `%XFOOT(ARR1+ARR2)` results in the sum of the first 10 elements of `ARR1+ARR2`.

This built-in function is similar to the `XFOOT` operation, except that float arrays are summed like all other types, beginning from index 1 on up.

For more information, see “Array Operations” on page 402 or “Built-in Functions” on page 394.

## %XLATE (Translate)

---

### %XLATE (Translate)

`%XLATE(from:to:string{:startpos})`

`%XLATE` translates *string* according to the values of *from*, *to*, and *startpos*.

The first parameter contains a list of characters that should be replaced, and the second parameter contains their replacements. For example, if the string contains the third character in *from*, every occurrence of that character is replaced with the third character in *to*.

The third parameter is the string to be translated. The fourth parameter is the starting position for translation. By default, translation starts at position 1.

The first three parameters can be of type character, graphic, or UCS-2. All three must have the same type. The value returned has the same type and length as *string*.

The fourth parameter is a non-float numeric with zero decimal positions.

For more information, see “String Operations” on page 429 or “Built-in Functions” on page 394.

```
*..1....+....2....+....3....+....4....+....5....+....6....+....7....+....
D up C 'ABCDEFGHJKLMNOPQRSTUVWXYZ'
D lo C 'abcdefghijklmnopqrstuvwxyz'
D string S 10A inz('rpg dept')

/FREE

 string = %XLATE(lo:up:'rpg dept');
 // string now contains 'RPG DEPT'

 string = %XLATE(up:lo:'RPG DEPT':6);
 // string now contains 'RPG Dept'
/END-FREE
```

Figure 244. %XLATE Example

## %XML (xmlDocument {options})

%XML is used as the second operand of the XML-SAX and XML-INTO operation codes to specify the XML document to be parsed, and the options to control how the document is parsed. %XML does not return a value, and it cannot be specified anywhere other than for the XML-SAX and XML-INTO operation codes.

The first operand specifies the document to be parsed. It can be a constant or variable character or UCS-2 expression containing either an XML document or the name of a file containing an XML document.

The second operand specifies options that control how the XML document is to be interpreted and parsed. It can be a constant or variable character expression. The value of the character expression is a list of zero or more options specified in the form

optionname1=value1 optionname2=value2

No spaces are allowed between the option name and the equal sign or between the equal sign and the value. However, any number of spaces can appear before, between or following the options. The options can be specified in any case. The following are all valid ways to specify the "doc=file" and "allowextra=yes" options for XML-INTO:

```
'doc=file allowextra=yes'
' doc=file allowextra=yes '
'ALLOWEXTRA=YES DOC=FILE '
'AllowExtra=Yes Doc=File '
```

The following are **not** valid option strings:

| Option string   | The problem with the option string               |
|-----------------|--------------------------------------------------|
| 'doc = file'    | Spaces around the equal sign are not allowed     |
| 'allowextra'    | Each option must have an equal sign and a value  |
| 'badopt=yes'    | Only valid options are allowed                   |
| 'allowextra=ok' | The 'allowextra' value can only be 'yes' or 'no' |

The valid options and values depend on the context of the %XML built-in function. See "XML-SAX (Parse an XML Document)" on page 834 and "XML-INTO (Parse an XML Document into a Variable)" on page 804 for a complete list of valid options and values.

When an option is specified more than once, the last value specified is the value that is used. For example, if the options parameter has the value

```
'doc=file doc=string'
```

then the parser will use the value "string" for the "doc" option.

If the parser discovers an invalid option or invalid value, the operation will fail with status code 00352.

## %XML (xmlDocument {options})

```
// The "options" parameter is omitted. Default values are used for
// all options. Since the default value for the "doc" option is
// always "string", the parser will correctly assume that the first
// parameter contains an XML document.
xmlDocument = '<myfld>new value</myfld>';
XML-INTO myfld %XML(xmlDocument);

// The "options" parameter is specified as a literal with two options.
XML-INTO myds %XML(xmlDocument : 'allowmissing=yes allowextra=yes');

// The "options" parameter is specified as a variable expression
// with two options.
ccsidOpt = 'ccsid=' + %char(ccsid);
XML-SAX %HANDLER(mySaxHandler : myCommArea)
 %XML('myinfo.xml' : 'doc=file ' + ccsidOpt);
```

Figure 245. Examples of %XML

For more examples of %XML, see “XML-SAX (Parse an XML Document)” on page 834 and “XML-INTO (Parse an XML Document into a Variable)” on page 804.

For more information, see “XML Operations” on page 437 or “Built-in Functions” on page 394.

---

**%YEARS (Number of Years)**

`%YEARS (number)`

`%YEARS` converts a number into a duration that can be added to a date or timestamp value.

`%YEARS` can only be the right-hand value in an addition or subtraction operation. The left-hand value must be a date or timestamp. The result is a date or timestamp value with the appropriate number of years added or subtracted. For a date, the resulting value is in \*ISO format.

If the left-hand value is February 29 and the resulting year is not a leap year, February 28 is used instead. Adding or subtracting a number of years to a February 29 date may not be reversible. For example, `2000-02-29 + %YEARS(1) - %YEARS(1)` is `2000-02-28`.

For an example of the `%YEARS` built-in function, see Figure 209 on page 514.

For more information, see “Date Operations” on page 412 or “Built-in Functions” on page 394.

**%YEARS (Number of Years)**



---

## Chapter 23. Operation Codes

This chapter describes, in alphabetical order, each operation code.

## ACQ (Acquire)

---

### ACQ (Acquire)

|                  |                                          |
|------------------|------------------------------------------|
| Free-Form Syntax | ACQ{(E)} <i>device-name workstn-file</i> |
|------------------|------------------------------------------|

| Code    | Factor 1            | Factor 2            | Result Field | Indicators |    |   |
|---------|---------------------|---------------------|--------------|------------|----|---|
| ACQ (E) | <u>device- name</u> | <u>workstn-file</u> |              | -          | ER | - |

The ACQ operation acquires the program device specified by *device-name* for the WORKSTN file specified by *workstn-file*. If the device is available, ACQ attaches it to the file. If it is not available or is already attached to the file, an error occurs.

To handle ACQ exceptions (file status codes greater than 1000), either the operation code extender 'E' or an error indicator ER can be specified, but not both. If no error indicator or 'E' extender is specified, but the INFSR subroutine is specified, the INFSR receives control when an error/exception occurs. If no indicator, 'E' extender, or INFSR subroutine is specified, the default error/exception handler receives control when an error/exception occurs. For more information on error handling, see "File Exception/Errors" on page 65.

No input or output operation occurs when the ACQ operation is processed. ACQ may be used with a multiple device file or, for error recovery purposes, with a single device file. One program may acquire and have the device available to any called program which shares the file and allow the called program to release the device. See the section on "Multiple-Device Files" in the chapter about using WORKSTN files in the *WebSphere Development Studio: ILE RPG Programmer's Guide*.

For more information, see "File Operations" on page 416.

## ADD (Add)

|                  |                                          |
|------------------|------------------------------------------|
| Free-Form Syntax | (not allowed - use the + or += operator) |
|------------------|------------------------------------------|

| Code    | Factor 1 | Factor 2      | Result Field | Indicators |   |   |
|---------|----------|---------------|--------------|------------|---|---|
| ADD (H) | Addend   | <u>Addend</u> | <u>Sum</u>   | +          | - | Z |

If factor 1 is specified, the ADD operation adds it to factor 2 and places the sum in the result field. If factor 1 is not specified, the contents of factor 2 are added to the result field and the sum is placed in the result field. Factor 1 and factor 2 must be numeric and can contain one of: an array, array element, constant, field name, literal, subfield, or table name. For the rules for specifying an ADD operation, see "Arithmetic Operations" on page 398.

```
*...1....+....2....+....3....+....4....+....5....+....6....+....7...+....
CL0N01Factor1++++++0pcode(E)+Factor2++++++Result++++++Len++D+HiLoEq....
*
* The value 1 is added to RECNO.
C ADD 1 RECNO
* The contents of EHWRK are added to CURHRS.
C ADD EHWRK CURHRS
* The contents of OVRM and REGHRS are added together and
* placed in TOTPAY.
C OVRM ADD REGHRS TOTPAY
```

Figure 246. ADD Operations

## ADDDUR (Add Duration)

### ADDDUR (Add Duration)

|                  |                                                                                              |
|------------------|----------------------------------------------------------------------------------------------|
| Free-Form Syntax | (not allowed - use the + or += operators with duration functions such as %YEARS and %MONTHS) |
|------------------|----------------------------------------------------------------------------------------------|

| Code       | Factor 1  | Factor 2                      | Result Field     | Indicators |    |   |
|------------|-----------|-------------------------------|------------------|------------|----|---|
| ADDDUR (E) | Date/Time | <u>Duration:Duration Code</u> | <u>Date/Time</u> | _          | ER | _ |

The ADDDUR operation adds the duration specified in factor 2 to a date or time and places the resulting Date, Time or Timestamp in the result field.

Factor 1 is optional and may contain a Date, Time or Timestamp field, subfield, array, array element, literal or constant. If factor 1 contains a field name, array or array element then its data type must be the same data type as the field specified in the result field. If factor 1 is not specified the duration is added to the field specified in the result field.

Factor 2 is required and contains two subfactors. The first is a duration and may be a numeric field, array element or constant with zero decimal positions. If the duration is negative then it is subtracted from the date. The second subfactor must be a valid duration code indicating the type of duration. The duration code must be consistent with the result field data type. You can add a year, month or day duration but not a minute duration to a date field. For list of duration codes and their short forms see "Date Operations" on page 412.

The result field must be a date, time or timestamp data type field, array or array element. If factor 1 is blank, the duration is added to the value in the result field. If the result field is an array, the value in factor 2 is added to each element of the array. If the result field is a time field, the result will always be a valid Time. For example adding 59 minutes to 23:59:59 would give 24:58:59. Since this time is not valid, the compiler adjusts it to 00:58:59.

When adding a duration in months to a date, the general rule is that the month portion is increased by the number of months in the duration, and the day portion is unchanged. The exception to this is when the resulting day portion would exceed the actual number of days in the resulting month. In this case, the resulting day portion is adjusted to the actual month end date. The following examples (which assume a \*YMD format) illustrate this point.

- '98/05/30' ADDDUR 1:\*MONTH results in '98/06/30'

The resulting month portion has been increased by 1; the day portion is unchanged.

- '98/05/31' ADDDUR 1:\*MONTH results in '98/06/30'

The resulting month portion has been increased by 1; the resulting day portion has been adjusted because June has only 30 days.

Similar results occur when adding a year duration. For example, adding one year to '92/02/29' results in '93/02/28', an adjusted value since the resulting year is not a leap year.

An error situation arises when one of the following occurs:

- The value of the Date, Time or Timestamp field in factor 1 is invalid
- Factor 1 is blank and the value of the result field before the operation is invalid

- Overflow or underflow occurred (that is, the resulting value is greater than \*HIVAL or less than \*LOVAL).

In an error situation,

- An error (status code 112 or 113) is signalled.
- The error indicator (columns 73-74) — if specified — is set on, or the %ERROR built-in function — if the 'E' extender is specified — is set to return '1'.
- The value of the result field remains unchanged.

To handle exceptions with program status codes 112 or 113, either the operation code extender 'E' or an error indicator ER can be specified, but not both. For more information on error handling, see "Program Exception/Errors" on page 82.

**Note:** The system places a 15-digit limit on durations. Adding a Duration with more than 15 significant digits will cause errors or truncation. These problems can be avoided by limiting the first subfactor in Factor 2 to 15 digits.

For more information on working with date-time fields, see "Date Operations" on page 412.

```

*...1....+....2....+....3....+....4....+....5....+....6....+....7....+....
HKeywords+++++
H TIMFMT(*USA) DATFMT(*MDY&)
DName+++++ETDsFrom+++To/L+++IDc.Keywords+++++
*
DDateconst C CONST(D'12 31 92')
*
* Define a Date field and initialize
*
DLoandate S D DATFMT(*EUR) INZ(D'12 31 92')
DDuedate S D DATFMT(*ISO)
Dtimestamp S Z
Danswer S T
CLON01Factor1+++++Opcode(E)+Factor2+++++Result+++++Len++D+HiLoEq....
* Determine a DUEDATE which is xx years, yy months, zz days later
* than LOANDATE.
C LOANDATE ADDDUR XX:*YEARS DUEDATE
C ADDDUR YY:*MONTHS DUEDATE
C ADDDUR ZZ:*DAYS DUEDATE
* Determine the date 23 days later
*
C ADDDUR 23:*D DUEDATE
* Add a 1234 microseconds to a timestamp
*
C ADDDUR 1234:*MS timestamp
* Add 12 HRS and 16 minutes to midnight
*
C T'00:00 am' ADDDUR 12:*Hours answer
C ADDDUR 16:*Minutes answer
* Subtract 30 days from a loan due date
*
C ADDDUR -30:*D LOANDUE

```

Figure 247. ADDDUR Operations

## ALLOC (Allocate Storage)

### ALLOC (Allocate Storage)

|                  |                                                  |
|------------------|--------------------------------------------------|
| Free-Form Syntax | (not allowed - use the %ALLOC built-in function) |
|------------------|--------------------------------------------------|

| Code      | Factor 1 | Factor 2      | Result Field   | Indicators |    |   |
|-----------|----------|---------------|----------------|------------|----|---|
| ALLOC (E) |          | <u>Length</u> | <u>Pointer</u> | -          | ER | - |

The ALLOC operation allocates storage in the default heap of the length specified in factor 2. The result field pointer is set to point to the new heap storage. The storage is uninitialized.

Factor 2 must be a numeric with zero decimal positions. It can be a literal, constant, standalone field, subfield, table name or array element. The value must be between 1 and 16776704. If the value is out of range at runtime, an error will occur with status 425. If the storage could not be allocated, an error will occur with status 426. If these errors occur, the result field pointer remains unchanged.

The result field must be a basing pointer scalar variable (a standalone field, data structure subfield, table name, or array element).

To handle exceptions with program status codes 425 or 426, either the operation code extender 'E' or an error indicator ER can be specified, but not both. For more information on error handling, see "Program Exception/Errors" on page 82.

For more information, see "Memory Management Operations" on page 420.

|          |             |                                                           |                 |             |
|----------|-------------|-----------------------------------------------------------|-----------------|-------------|
| <b>D</b> | <b>Ptr1</b> | <b>S</b>                                                  | <b>*</b>        |             |
| <b>D</b> | <b>Ptr2</b> | <b>S</b>                                                  | <b>*</b>        |             |
| <b>C</b> |             | <b>ALLOC</b>                                              | <b>7</b>        | <b>Ptr1</b> |
|          |             | * Now Ptr1 points to 7 bytes of storage                   |                 |             |
|          |             | *                                                         |                 |             |
| <b>C</b> |             | <b>ALLOC (E)</b>                                          | <b>12345678</b> | <b>Ptr2</b> |
|          |             | * This is a large amount of storage, and sometimes it may |                 |             |
|          |             | * be unavailable. If the storage could not be allocated,  |                 |             |
|          |             | * %ERROR will return '1', the status is set to 00426, and |                 |             |
|          |             | * %STATUS will return 00426.                              |                 |             |

Figure 248. ALLOC Operation

## ANDxx (And)

|                  |                                      |
|------------------|--------------------------------------|
| Free-Form Syntax | (not allowed - use the AND operator) |
|------------------|--------------------------------------|

| Code  | Factor 1         | Factor 2         | Result Field | Indicators |  |  |
|-------|------------------|------------------|--------------|------------|--|--|
| ANDxx | <u>Comparand</u> | <u>Comparand</u> |              |            |  |  |

This operation must immediately follow a ANDxx, DOUxx, DOWxx, IFxx, ORxx, or WHENxx operation. With ANDxx, you can specify a complex condition for the DOUxx, DOWxx, IFxx, and WHENxx operations. The ANDxx operation has higher precedence than the ORxx operation.

The control level entry (positions 7 and 8) can be blank or can contain an L1 through L9 indicator, an LR indicator, or an L0 entry to group the statement within the appropriate section of the program. The control level entry must be the same as the control level entry for the associated DOUxx, DOWxx, IFxx, or WHENxx operation. Conditioning indicator entries (positions 9 through 11) are not permitted.

Factor 1 and factor 2 must contain a literal, a named constant, a figurative constant, a table name, an array element, a data structure name, or a field name. Factor 1 and factor 2 must be of the same type. For example, a character field cannot be compared with a numeric. The comparison of factor 1 and factor 2 follows the same rules as those given for the compare operations. See "Compare Operations" on page 408.

For more information, see "Structured Programming Operations" on page 431.

```

*...1....+....2....+....3....+....4....+....5....+....6....+....7...+....
CL0N01Factor1+++++0pcode(E)+Factor2+++++Result+++++Len++D+HiLoEq....
*
* If ACODE is equal to A and indicator 50 is on, the MOVE
* and WRITE operations are processed.
C ACODE IFEQ 'A'
C *IN50 ANDEQ *ON
C MOVE 'A' ACREC
C WRITE RCRSN
* If the previous conditions were not met but ACODE is equal
* to A, indicator 50 is off, and ACREC is equal to D, the
* following MOVE operation is processed.
C ELSE
C ACODE IFEQ 'A'
C *IN50 ANDEQ *OFF
C ACREC ANDEQ 'D'
C MOVE 'A' ACREC
C ENDIF
C ENDIF

```

Figure 249. ANDxx Operations

## BEGSR (Beginning of Subroutine)

---

### BEGSR (Beginning of Subroutine)

|                  |                              |
|------------------|------------------------------|
| Free-Form Syntax | BEGSR <i>subroutine-name</i> |
|------------------|------------------------------|

| Code  | Factor 1               | Factor 2 | Result Field | Indicators |  |  |
|-------|------------------------|----------|--------------|------------|--|--|
| BEGSR | <u>subroutine-name</u> |          |              |            |  |  |

The BEGSR operation identifies the beginning of an RPG IV subroutine. *subroutine-name* is the subroutine name. You may specify the same name as the *subroutine-name* on the EXSR operation referring to the subroutine, in the result field of the CASxx operation referring to the subroutine, or in the entry of an INFSR file specification keyword of the subroutine is a file-error subroutine. The control level entry (positions 7 and 8) can be SR or blank. Conditioning indicator entries are not permitted.

Every subroutine must have a unique symbolic name. The keyword \*PSSR used in factor 1 specifies that this is a program exception/error subroutine to handle program-detected exception/errors. Only one subroutine can be defined by this keyword. \*INZSR in factor 1 specifies a subroutine to be run during the initialization step. Only one subroutine can be defined \*INZSR.

See Figure 163 on page 436 for an example of coding subroutines; see "Subroutine Operations" on page 434 for general information on subroutine operations.



## BITOFF (Set Bits Off)

|                  |                                                                                             |
|------------------|---------------------------------------------------------------------------------------------|
| Free-Form Syntax | (not allowed - use the %BITAND and %BITNOT built-in functions. See Figure 175 on page 464.) |
|------------------|---------------------------------------------------------------------------------------------|

| Code   | Factor 1 | Factor 2           | Result Field           | Indicators |  |  |
|--------|----------|--------------------|------------------------|------------|--|--|
| BITOFF |          | <u>Bit numbers</u> | <u>Character field</u> |            |  |  |

The BITOFF operation causes bits identified in factor 2 to be set off (set to 0) in the result field. Bits not identified in factor 2 remain unchanged. Therefore, when using BITOFF to format a character, you should use both BITON and BITOFF: BITON to specify the bits to be set on (=1), and BITOFF to specify the bits to be set off (=0). Unless you explicitly set on or off all the bits in the character, you might not get the character you want.

If you want to assign a particular bit pattern to a character field, use the “MOVE (Move)” on page 676 operation with a hexadecimal literal in factor 2.

Factor 2 can contain:

- *Bit numbers 0-7:* From 1 to 8 bits can be set off per operation. They are identified by the numbers 0 through 7. (0 is the leftmost bit.) Enclose the bit numbers in apostrophes. For example, to set off bits 0, 2, and 5, enter ‘025’ in factor 2.
- *Field name:* You can specify the name of a one-position character field, table element, or array element in factor 2. The bits that are on in the field, table element, or array element are set off in the result field; bits that are off do not affect the result.
- *Hexadecimal literal or named constant:* You can specify a 1-byte hexadecimal literal or hexadecimal named constant. Bits that are on in factor 2 are set off in the result field; bits that are off are not affected.
- *Named constant:* A character named constant up to eight positions long containing the bit numbers to be set off.

In the result field, specify a one-position character field. It can be an array element if each element in the array is a one-position character field.

For more information, see “Bit Operations” on page 403.

## BITOFF (Set Bits Off)

```
* Set off bits 0,4,6 in FieldG. Leave bits 1,2,3,5,7 unchanged.
* Setting off bit 0, which is already off, results in bit 0 remaining off.
* Factor 2 = 10001010
* FieldG = 01001111 (before)
* FieldG = 01000101 (after)
C BITOFF '046' FieldG
* Set off bits 0,2,4,6 in FieldI. Leave bits 1,3,5,7 unchanged.
* Setting off bit 2, which is already off, results in bit 2 remaining off.
* Factor 2 = 10101010
* FieldI = 11001110 (before)
* FieldI = 01000100 (after)
C BITOFF BITNC FieldI
* HEXNC is equivalent to literal '4567', bit pattern 00001111.
* Set off bits 4,5,6,7 in FieldK. Leave bits 0,1,2,3 unchanged.
* Factor 2 = 11110000
* FieldK = 10000000 (before)
* FieldK = 00000000 (after)
C BITOFF HEXNC2 FieldK
C RETURN
```

Figure 250. BITOFF Example

---

**BITON (Set Bits On)**

|                  |                                                                               |
|------------------|-------------------------------------------------------------------------------|
| Free-Form Syntax | (not allowed - use the %BITOR built-in function. See Figure 175 on page 464.) |
|------------------|-------------------------------------------------------------------------------|

| Code  | Factor 1 | Factor 2           | Result Field           | Indicators |  |  |
|-------|----------|--------------------|------------------------|------------|--|--|
| BITON |          | <u>Bit numbers</u> | <u>Character field</u> |            |  |  |

The BITON operation causes bits identified in factor 2 to be set on (set to 1) in the result field. Bits not identified in factor 2 remain unchanged. Therefore, when using BITON to format a character, you should use both BITON and BITOFF: BITON to specify the bits to be set on (=1), and BITOFF to specify the bits to be set off (=0). Unless you explicitly set on or off all the bits in the character, you might not get the character you want.

If you want to assign a particular bit pattern to a character field, use the “MOVE (Move)” on page 676 operation with a hexadecimal literal in factor 2.

Factor 2 can contain:

- *Bit numbers 0-7:* From 1 to 8 bits can be set on per operation. They are identified by the numbers 0 through 7. (0 is the leftmost bit.) Enclose the bit numbers in apostrophes. For example, to set bits 0, 2, and 5 on, enter ‘025’ in factor 2.
- *Field name:* You can specify the name of a one-position character field, table element, or array element in factor 2. The bits that are on in the field, table element, or array element are set on in the result field; bits that are off are not affected.
- *Hexadecimal literal or named constant:* You can specify a 1-byte hexadecimal literal. Bits that are on in factor 2 are set on in the result field; bits that are off do not affect the result.
- *Named constant:* A character named constant up to eight positions long containing the bit numbers to be set on.

In the result field, specify a one-position character field. It can be an array element if each element in the array is a one-position character field.

For more information, see “Bit Operations” on page 403.

## BITON (Set Bits On)

```

DName+++++ETDsFrom+++To/L+++IDc.Keywords+++++
D FieldA S 1A INZ(X'00')
D FieldB S 1A INZ(X'00')
D FieldC S 1A INZ(X'FF')
D FieldD S 1A INZ(X'C0')
D FieldE S 1A INZ(X'C0')
D FieldF S 1A INZ(X'81')
D FieldG S 1A INZ(X'4F')
D FieldH S 1A INZ(X'08')
D FieldI S 1A INZ(X'CE')
D FieldJ S 1A INZ(X'80')
D FieldK S 1A INZ(X'80')
D BITNC C CONST('0246')
D HEXNC C CONST(X'0F')
D HEXNC2 C CONST(X'F0')
C*0N01Factor1+++++Opcode(E)+Factor2+++++Result+++++Len++D+HiLoEq...
*
* Set on bits 0,4,5,6,7 in FieldA. Leave bits 1,2,3 unchanged.
* Factor 2 = 10001111
* FieldA = 00000000 (before)
* FieldA = 10001111 (after)
C BITON '04567' FieldA
* Set on bit 3 in FieldB. Leave bits 0,1,2,4,5,6,7 unchanged.
* Factor 2 = 00010000
* FieldB = 00000000 (before)
* FieldB = 00010000 (after)
C BITON '3' FieldB
* Set on bit 3 in FieldC. Leave bits 0,1,2,4,5,6,7 unchanged.
* Setting on bit 3, which is already on, results in bit 3 remaining on.
* Factor 2 = 00010000
* FieldC = 11111111 (before)
* FieldC = 11111111 (after)
C BITON '3' FieldC
* Set on bit 3 in FieldD. Leave bits 0,1,2,4,5,6,7 unchanged.
* Factor 2 = 00010000
* FieldD = 11000000 (before)
* FieldD = 11010000 (after)
C BITON '3' FieldD
* Set on bits 0 and 1 in FieldF. Leave bits 2,3,4,5,6,7 unchanged.
* (Setting on bit 0, which is already on, results in bit 0 remaining on.)
* Factor 2 = 11000000
* FieldF = 10000001 (before)
* FieldF = 11000001 (after)
C BITON FieldE FieldF
* X'C1' is equivalent to literal '017', bit pattern 11000001.
* Set on bits 0,1,7 in FieldH. Leave bits 2,3,4,5,6 unchanged.
* Factor 2 = 11000001
* FieldH = 00001000 (before)
* FieldH = 11001001 (after)
C BITON X'C1' FieldH
* HEXNC is equivalent to literal '4567', bit pattern 00001111.
* Set on bits 4,5,6,7 in FieldJ. Leave bits 0,1,2,3 unchanged.
* Factor 2 = 00001111
* FieldJ = 10000000 (before)
* FieldJ = 10001111 (after)
C BITON HEXNC FieldJ
C RETURN

```

Figure 251. BITON Example

## CABxx (Compare and Branch)

|                  |                                                                            |
|------------------|----------------------------------------------------------------------------|
| Free-Form Syntax | (not allowed - use other operation codes, such as LEAVE, ITER, and RETURN) |
|------------------|----------------------------------------------------------------------------|

| Code  | Factor 1         | Factor 2         | Result Field | Indicators |    |    |
|-------|------------------|------------------|--------------|------------|----|----|
| CABxx | <u>Comparand</u> | <u>Comparand</u> | Label        | HI         | LO | EQ |

The CABxx operation compares factor 1 with factor 2. If the condition specified by xx is true, the program branches to the TAG or ENDSR operation associated with the label specified in the result field. Otherwise, the program continues with the next operation in the sequence. If the result field is not specified, the resulting indicators (positions 71-76) are set accordingly, and the program continues with the next operation in the sequence.

You can specify conditioning indicators. Factor 1 and factor 2 must contain a literal, a named constant, a figurative constant, a table name, an array element, a data structure name, or a field name. Factor 1 and factor 2 must be of the same type. The label specified in the result field must be associated with a unique TAG operation and must be a unique symbolic name.

A CABxx operation in the main procedure can specify a branch:

- To a previous or a succeeding specification line
- From a detail calculation line to another detail calculation line
- From a total calculation line to another total calculation line
- From a detail calculation line to a total calculation line
- From a subroutine to a detail calculation line or a total calculation line.

A CABxx operation in a subprocedure can specify a branch:

- From a line in the body of the subprocedure to another line in the body of the subprocedure
- From a line in a subroutine to another line in the same subroutine
- From a line in a subroutine to a line in the body of the subprocedure

The CABxx operation cannot specify a branch from outside a subroutine to a TAG or ENDSR operation within that subroutine.

**Attention!**

Branching from one point in the logic to another may result in an endless loop. You must ensure that the logic of your program or procedure does not produce undesirable results.

Resulting indicators are optional. When specified, they are set to reflect the results of the compare operation. For example, the HI indicator is set when  $F1 > F2$ , LO is set when  $F1 < F2$ , and EQ is set when  $F1 = F2$ .

See “Compare Operations” on page 408 for the rules for comparing factor 1 with factor 2.

For more information, see “Branching Operations” on page 403.

## CABxx (Compare and Branch)

```

*...1....+....2....+....3....+....4....+....5....+....6....+....7...+....
CL0N01Factor1+++++Opcode(E)+Factor2+++++Result+++++Len++D+HiLoEq....
*
* The field values are:
* FieldA = 100.00
* FieldB = 105.00
* FieldC = ABC
* FieldD = ABCDE
*
* Branch to TAGX.
C FieldA CABLT FieldB TAGX
*
* Branch to TAGX.
C FieldA CABLE FieldB TAGX
*
* Branch to TAGX; indicator 16 is off.
C FieldA CABLE FieldB TAGX 16
*
* Branch to TAGX; indicator 17 is off, indicator 18 is on.
C FieldA CAB FieldB TAGX 1718
*
* Branch to TAGX; indicator 19 is on.
C FieldA CAB FieldA TAGX 19
*
* No branch occurs.
C FieldA CABEQ FieldB TAGX
*
* No branch occurs; indicator 20 is on.
C FieldA CABEQ FieldB TAGX 20
*
* No branch occurs; indicator 21 is off.
C FieldC CABEQ FieldD TAGX 21
C :
C TAGX TAG

```

Figure 252. CABxx Operations

## CALL (Call a Program)

|                  |                                              |
|------------------|----------------------------------------------|
| Free-Form Syntax | (not allowed - use the CALLP operation code) |
|------------------|----------------------------------------------|

| Code     | Factor 1 | Factor 2            | Result Field | Indicators |    |    |
|----------|----------|---------------------|--------------|------------|----|----|
| CALL (E) |          | <u>Program name</u> | Plist name   | _          | ER | LR |

The CALL operation passes control to the program specified in factor 2.

Factor 2 must contain a character entry specifying the name of the program to be called.

In the result field, specify parameters in one of the following ways:

- Enter the name of a PLIST
- Leave the result field blank. This is valid if the called program does not access parameters or if the PARM statements directly follow the CALL operation.

Positions 71 and 72 must be blank.

To handle CALL exceptions (program status codes 202, 211, or 231), either the operation code extender 'E' or an error indicator ER can be specified, but not both. For more information on error handling, see "Program Exception/Errors" on page 82.

Any valid resulting indicator can be specified in positions 75 and 76 to be set on if the called program is an RPG program or main procedure that returns with the LR indicator on.

**Note:** The LR indicator is not allowed in a thread-safe environment.

For more information on call operations, see "Call Operations" on page 404.

```
*...1....+...2....+...3....+...4....+...5....+...6....+...7....+...
CL0N01Factor1+++++0pcode(E)+Factor2+++++Result+++++Len++D+HiLoEq....
* The CALL operation calls PROGA and allows PROGA to access
* FieldA and FieldB, defined elsewhere. PROGA is run using the content
* of FieldA and FieldB. When PROGA has completed, control
* returns to the statement following the last PARM statement.
*
*
C CALL 'PROGA'
C PARM FieldA
C PARM FieldB
```

Figure 253. CALL Operation

## CALLB (Call a Bound Procedure)

### CALLB (Call a Bound Procedure)

|                  |                                              |
|------------------|----------------------------------------------|
| Free-Form Syntax | (not allowed - use the CALLP operation code) |
|------------------|----------------------------------------------|

| Code        | Factor 1 | Factor 2                                       | Result Field | Indicators |    |    |
|-------------|----------|------------------------------------------------|--------------|------------|----|----|
| CALLB (D E) |          | <u>Procedure name or<br/>procedure pointer</u> | Plist name   | -          | ER | LR |

The CALLB operation is used to call bound procedures written in any of the ILE languages.

The operation extender D may be used to include operational descriptors. This is similar to calling a prototyped procedure with CALLP when its parameters have been defined with keyword OPDESC. (Operational descriptors provide the programmer with run-time resolution of the exact attributes of character or graphic strings passed (that is, length and type of string). For more information, see chapter on calling programs and procedures in the *WebSphere Development Studio: ILE RPG Programmer's Guide*.

Factor 2 is required and must be a literal or constant containing the name of the procedure to be called, or a procedure pointer containing the address of the procedure to be called. All references must be able to be resolved at bind time. The procedure name provided is case sensitive and may contain more than 10 characters, but no more than 255. If the name is longer than 255, it will be truncated to 255. The result field is optional and may contain a PLIST name.

To handle CALLB exceptions (program status codes 202, 211, or 231), either the operation code extender 'E' or an error indicator ER can be specified, but not both. For more information on error handling, see "Program Exception/Errors" on page 82.

An indicator specified in positions 75-76 will be set on when the call ends with LR set on.

**Note:** The LR indicator is not allowed in a thread-safe environment.

For more information on call operations, see "Call Operations" on page 404.

```

DName+++++ETDsFrom+++To/L+++IDc.Keywords+++++
* Define a procedure pointer
D
D ProcPtr S * PROCPTR INZ(%PADDR('Create_Space'))
D Extern S 10
D
CL0N01Factor1+++++Opcode(E)+Factor2+++++Result+++++Len++D+HiLoEq....
* The following call linkage would be STATIC
C CALLB 'BOUNDPROC'
* The following call linkage would be DYNAMIC
C CALL Extern
* The following call linkage would be STATIC, using a procedure pointer
C CALLB ProcPtr

```

Figure 254. CALLB Operation



---

**CALLP (Call a Prototyped Procedure or Program)**

|                  |                                                                      |
|------------------|----------------------------------------------------------------------|
| Free-Form Syntax | {CALLP{(EMR)}} <i>name</i> ( { <i>parm1</i> {: <i>parm2</i> ...} } ) |
|------------------|----------------------------------------------------------------------|

| Code          | Factor 1 | Extended Factor 2                                    |
|---------------|----------|------------------------------------------------------|
| CALLP (E M/R) |          | <u>name</u> { ( <i>parm1</i> {: <i>parm2</i> ...}) } |

The CALLP operation is used to call prototyped procedures or programs.

Unlike the other call operations, CALLP uses a free-form syntax. You use the *name* operand to specify the name of the prototype of the called program or procedure, as well as any parameters to be passed. (This is similar to calling a built-in function.) A maximum of 255 parameters are allowed for a program call, and a maximum of 399 for a procedure call.

On a free-form calculation specification, the operation code name may be omitted if no extenders are needed, and if the prototype does not have the same name as an operation code.

The compiler then uses the prototype name to obtain an external name, if required, for the call. If the keyword EXTPGM is specified on the prototype, the call will be a dynamic external call; otherwise it will be a bound procedure call.

A prototype for the program or procedure being called must be included in the definition specifications preceding the CALLP.

Note that if CALLP is used to call a procedure which returns a value, that value will not be available to the caller. If the value is required, call the prototyped procedure from within an expression.

To handle CALLP exceptions (program status codes 202, 211, or 231), the operation code extender 'E' can be specified. For more information on error handling, see "Program Exception/Errors" on page 82.

**Note:** The E extender is only active during the final call for CALLP. If an error occurs on a call that is done as part of the parameter processing, control will not pass to the next operation. For example, if FileRecs is a procedure returning a numeric value, and an error occurs when FileRecs is called in the following statement, the E extender would have no effect.

```
CALLP(E) PROGNAME(FileRecs(Fld) + 1)
```

For more information on call operations, see "Call Operations" on page 404. For more information on defining prototypes, see "Prototypes and Parameters" on page 145. For information on how operation extenders M and R are used, see "Precision Rules for Numeric Operations" on page 448.

## CALLP (Call a Prototyped Procedure or Program)

```
*..1....+....2....+....3....+....4....+....5....+....6....+....7....+....
*-----
* This prototype for QCMDEXC defines two parameters:
* 1- a character field that may be shorter in length
* than expected
* 2- any numeric field
*-----
D qcmdexc PR extpgm('QCMDEXC')
D cmd 200A options(*varsize) const
D cmdlen 15P 5 const

/FREE
 qcmdexc ('WRKSPLF' : %size ('WRKSPLF'));
/END-FREE
```

Figure 255. Calling a Prototyped Program Using CALLP

```
#
#
#
#
#
#
#
#
#
#
#
```

```
* The prototype for the procedure has an array parameter.
D proc pr
D parm 10a dim(5)

* An array to pass to the procedure
D array s 10a dim(5)

* Call the procedure, passing the array
C callp proc (array)
```

Figure 256. Passing an array parameter using CALLP

The following example of CALLP is from the service program example in *WebSphere Development Studio: ILE RPG Programmer's Guide*. CvtToHex is a procedure in a service program created to hold conversion routines. CvtToHex converts an input string to its hexadecimal form. The prototyped calls are to the ILE CEE API, CEEDOD (Retrieve Operational Descriptor). It is used to determine the length of the input string.

## CALLP (Call a Prototyped Procedure or Program)

```

*..1....+....2....+....3....+....4....+....5....+....6....+....7...+....
*=====
* CvtToHex - convert input string to hex output string *
*=====
D/COPY MYLIB/QRPGLESRC,CVTHEXPR

* Main entry parameters *
* 1. Input: string character(n) *
* 2. Output: hex string character(2 * n) *

D CvtToHex PI OPDESC
D InString 16383 CONST OPTIONS(*VARSIZE)
D HexString 32766 OPTIONS(*VARSIZE)

* Prototype for CEEDOD (Retrieve operational descriptor) *

D CEEDOD PR
D 10I 0 CONST
D 10I 0
D 10I 0
D 10I 0
D 10I 0
D 10I 0
D 12A OPTIONS(*OMIT)

* Parameters passed to CEEDOD
D ParmNum S 10I 0
D DescType S 10I 0
D DataType S 10I 0
D DescInfo1 S 10I 0
D DescInfo2 S 10I 0
D InLen S 10I 0
D HexLen S 10I 0

```

Figure 257. Calling a Prototyped Procedure Using CALLP (Part 1 of 3)

## CALLP (Call a Prototyped Procedure or Program)

```

* Other fields used by the program *

D HexDigits C CONST('0123456789ABCDEF')
D IntDs DS
D IntNum 5I 0 INZ(0)
D IntChar 1 OVERLAY(IntNum:2)
D HexDs DS
D HexC1 1
D HexC2 1
D InChar S 1
D Pos S 5P 0
D HexPos S 5P 0

/FREE
//-----//
// Use the operational descriptors to determine the lengths of //
// the parameters that were passed. //
//-----//
CEEDOD (1 : DescType : DataType :
 DescInfo1 : DescInfo2 : InLen : *OMIT);
CEEDOD (2 : DescType : DataType :
 DescInfo1 : DescInfo2 : HexLen : *OMIT);

//-----//
// Determine the length to handle (minimum of the input length //
// and half of the hex length) //
//-----//
if InLen > HexLen / 2;
 InLen = HexLen / 2;
endif;

//-----//
// For each character in the input string, convert to a 2-byte //
// hexadecimal representation (for example, '5' --> 'F5') //
//-----//
HexPos = 1;
for Pos = 1 to InLen;
 InChar = %SUBST(InString : Pos :1);
 exsr GetHex;
 %subst (HexString: HexPos: 2) = HexDs;
 HexPos = HexPos + 2;
endfor;

//-----//
// Done; return to caller. //
//-----//
return;

//=====//
// GetHex - subroutine to convert 'InChar' to 'HexDs' //
// //
// Use division by 16 to separate the two hexadecimal digits. //
// The quotient is the first digit, the remainder is the second. //
//=====//
begsr GetHex;
 IntChar = InChar;

//-----//
// Use the hexadecimal digit (plus 1) to substring the //
// list of hexadecimal characters '012...CDEF'. //
//-----//
HexC1 = %subst (HexDigits: %div(IntNum:16) + 1: 1);
HexC2 = %subst (HexDigits: %rem(IntNum:16) + 1: 1);

```

Figure 257. Calling a Prototyped Procedure Using CALLP (Part 2 of 3)

## CALLP (Call a Prototyped Procedure or Program)

```
endsr; // GetHex
/END-FREE
```

*Figure 257. Calling a Prototyped Procedure Using CALLP (Part 3 of 3)*

## CASxx (Conditionally Invoke Subroutine)

### CASxx (Conditionally Invoke Subroutine)

|                  |                                                     |
|------------------|-----------------------------------------------------|
| Free-Form Syntax | (not allowed - use the IF and EXSR operation codes) |
|------------------|-----------------------------------------------------|

| Code  | Factor 1  | Factor 2  | Result Field               | Indicators |    |    |
|-------|-----------|-----------|----------------------------|------------|----|----|
| CASxx | Comparand | Comparand | <u>Subroutine<br/>name</u> | HI         | LO | EQ |

The CASxx operation allows you to conditionally select a subroutine for processing. The selection is based on the relationship between factor 1 and factor 2, as specified by xx. If the relationship denoted by xx exists between factor 1 and factor 2, the subroutine specified in the result field is processed.

You can specify conditioning indicators. Factor 1 and factor 2 can contain a literal, a named constant, a figurative constant, a field name, a table name, an array element, a data structure name, or blanks (blanks are valid only if xx is blank and no resulting indicators are specified in positions 71 through 76). If factor 1 and factor 2 are not blanks, both must be of the same data type. In a CASbb operation, factor 1 and factor 2 are required only if resulting indicators are specified in positions 71 through 76.

The result field must contain the name of a valid RPG IV subroutine, including \*PSSR, the program exception/error subroutine, and \*INZSR, the program initialization subroutine. If the relationship denoted by xx exists between factor 1 and factor 2, the subroutine specified in the result field is processed. If the relationship denoted by xx does not exist, the program continues with the next CASxx operation in the CAS group. A CAS group can contain only CASxx operations. An ENDCS operation must follow the last CASxx operation to denote the end of the CAS group. After the subroutine is processed, the program continues with the next operation to be processed following the ENDCS operation, unless the subroutine passes control to a different operation.

The CASbb operation with no resulting indicators specified in positions 71 through 76 is functionally identical to an EXSR operation, because it causes the unconditional running of the subroutine named in the result field of the CASbb operation. Any CASxx operations that follow an unconditional CASbb operation in the same CAS group are never tested. Therefore, the normal placement of the unconditional CASbb operation is after all other CASxx operations in the CAS group.

You cannot use conditioning indicators on the ENDCS operation for a CAS group.

See "Compare Operations" on page 408 or "Subroutine Operations" on page 434 for further rules for the CASxx operation.

## CASxx (Conditionally Invoke Subroutine)

```
*...1....+....2....+....3....+....4....+....5....+....6....+....7...+....
CL0N01Factor1+++++Opcode(E)+Factor2+++++Result+++++Len++D+HiLoEq....
*
* The CASGE operation compares FieldA with FieldB. If FieldA is
* greater than or equal to FieldB, Subr01 is processed and the
* program continues with the operation after the ENDCS operation.
*
C FieldA CASGE FieldB Subr01
*
* If FieldA is not greater than or equal to FieldB, the program
* next compares FieldA with FieldC. If FieldA is equal to FieldC,
* SUBR02 is processed and the program continues with the operation
* after the ENDCS operation.
*
C FieldA CASEQ FieldC Subr02
*
* If FieldA is not equal to FieldC, the CAS operation causes Subr03
* to be processed before the program continues with the operation
* after the ENDCS operation.
* The CAS statement is used to provide a subroutine if none of
* the previous CASxx operations have been met.
*
C CAS Subr03
*
* The ENDCS operation denotes the end of the CAS group.
*
C ENDCS
```

Figure 258. CASxx Operation

## CAT (Concatenate Two Strings)

---

### CAT (Concatenate Two Strings)

|                  |                                    |
|------------------|------------------------------------|
| Free-Form Syntax | (not allowed - use the + operator) |
|------------------|------------------------------------|

| Code    | Factor 1        | Factor 2                          | Result Field  | Indicators |  |  |
|---------|-----------------|-----------------------------------|---------------|------------|--|--|
| CAT (P) | Source string 1 | Source string 2: number of blanks | Target string |            |  |  |

The CAT operation concatenates the string specified in factor 2 to the end of the string specified in factor 1 and places it in the result field. The source and target strings must all be of the same type, either all character, all graphic, or all UCS-2. If no factor 1 is specified, factor 2 is concatenated to the end of the result field string.

Factor 1 can contain a string, which can be one of: a field name, array element, named constant, data structure name, table name, or literal. If factor 1 is not specified, the result field is used. In the following discussion, references to factor 1 apply to the result field if factor 1 is not specified.

Factor 2 must contain a string, and may contain the number of blanks to be inserted between the concatenated strings. Its format is the string, followed by a colon, followed by the number of blanks. The blanks are in the format of the data. For example, for character data a blank is x'40', while for UCS-2 data a blank is x'0020'. The string portion can contain one of: a field name, array element, named constant, data structure name, table name, literal, or data structure subfield name. The number of blanks portion must be numeric with zero decimal positions, and can contain one of: a named constant, array element, literal, table name, or field name.

If a colon is specified, the number of blanks must be specified. If no colon is specified, concatenation occurs with the trailing blanks, if any, in factor 1, or the result field if factor 1 is not specified.

If the number of blanks, N, is specified, factor 1 is copied to the result field left-justified. If factor 1 is not specified the result field string is used. Then N blanks are added following the last non-blank character. Then factor 2 is appended to this result. Leading blanks in factor 2 are not counted when N blanks are added to the result; they are just considered to be part of factor 2. If the number of blanks is not specified, the trailing and leading blanks of factor 1 and factor 2 are included in the result.

The result field must be a string and can contain one of: a field name, array element, data structure name, or table name. Its length should be the length of factor 1 and factor 2 combined plus any intervening blanks; if it is not, truncation occurs from the right. If the result field is variable-length, its length does not change.

A P operation extender indicates that the result field should be padded on the right with blanks after the concatenation occurs if the result field is longer than the result of the operation. If padding is not specified, only the leftmost part of the field is affected.

At run time, if the number of blanks is fewer than zero, the compiler defaults the number of blanks to zero.



For more information, see "String Operations" on page 429.

**Note:** Figurative constants cannot be used in the factor 1, factor 2, or result fields. No overlapping is allowed in a data structure for factor 1 and the result field, or for factor 2 and the result field.

```

*...1....+....2....+....3....+....4....+....5....+....6....+....7...+....
CL0N01Factor1+++++Opcode(E)+Factor2+++++Result+++++Len++D+HiLoEq....
*
* The following example shows leading blanks in factor 2. After
* the CAT, the RESULT contains 'MR.bSMITH'.
*
C MOVE 'MR.' NAME 3
C MOVE ' SMITH' FIRST 6
C NAME CAT FIRST RESULT 9
*
* The following example shows the use of CAT without factor 1.
* FLD2 is a 9 character string. Prior to the concatenation, it
* contains 'ABCbbbbbb'; FLD1 contains 'XYZ'
* After the concatenation, FLD2 contains 'ABCbbXYZb'.
*
C MOVE(P) 'ABC' FLD2 9
C MOVE 'XYZ' FLD1 3
C CAT FLD1:2 FLD2

```

Figure 259. CAT Operation

## CAT (Concatenate Two Strings)

```

*...1....+....2....+....3....+....4....+....5....+....6....+....7....+....
CL0N01Factor1+++++OpCode(E)+Factor2+++++Result+++++Len++D+HiLoEq....
*
* CAT concatenates LAST to NAME and inserts one blank as specified
* in factor 2. TEMP contains 'Mr.bSmith'.
C MOVE 'Mr. ' NAME 6
C MOVE 'Smith ' LAST 6
C NAME CAT LAST:1 TEMP 9
*
* CAT concatenates 'RPG' to STRING and places 'RPG/400' in TEMP.
C MOVE '/400' STRING 4
C 'RPG' CAT STRING TEMP 7
*
* The following example is the same as the previous example except
* that TEMP is defined as a 10 byte field. P operation extender
* specifies that blanks will be used in the rightmost positions
* of the result field that the concatenation result, 'RPG/400',
* does not fill. As a result, TEMP contains 'RPG/400bbb'
* after concatenation.
C MOVE *ALL*' TEMP 10
C MOVE '/400' STRING 4
C 'RPG' CAT(P) STRING TEMP 5
*
* After this CAT operation, the field TEMP contains 'RPG/4'.
* Because the field TEMP was not large enough, truncation occurred.
C MOVE '/400' STRING 4
C 'RPG' CAT STRING TEMP 5
*
* Note that the trailing blanks of NAME are not included because
* NUM=0. The field TEMP contains 'RPGIVbbbb'.
C MOVE 'RPG ' NAME 5
C MOVE 'IV ' LAST 5
C Z-ADD 0 NUM 1 0
C NAME CAT(P) LAST:NUM TEMP 10

```

Figure 260. CAT Operation with leading blanks

```

*...1....+....2....+....3....+....4....+....5....+....6....+....7....+....
*
* The following example shows the use of graphic strings
*
DName+++++ETDsFrom+++To/L+++IDc.Functions+++++
* Value of Graffld is 'AACCBGG'.
* Value of Graffld2 after CAT 'aa AACCBGG '
* Value of Graffld3 after CAT 'AABBCCDDEEFFGGHHAACC'
*
D Graffld 4G INZ(G'oAACCBGGi')
D Graffld2 10G INZ
D Graffld3 10G INZ(G'oAABBCCDDEEFFGGHHi')
CL0N01Factor1+++++OpCode(E)+Factor2+++++Result+++++Len++D+HiLoEq.
* The value 2 represents 2 graphic blanks as separators
C G'oaai' cat Graffld:2 Graffld2
C cat Graffld Graffld3

```

Figure 261. CAT Operation with Graphic data

---

**CHAIN (Random Retrieval from a File)**

|                  |                                                                        |
|------------------|------------------------------------------------------------------------|
| Free-Form Syntax | CHAIN{(ENHMR)} <i>search-arg</i> <i>name</i> { <i>data-structure</i> } |
|------------------|------------------------------------------------------------------------|

| Code        | Factor 1          | Factor 2                            | Result Field   | Indicators |    |   |
|-------------|-------------------|-------------------------------------|----------------|------------|----|---|
| CHAIN (E N) | <u>search-arg</u> | <u>name</u> (file or record format) | data-structure | NR         | ER | - |

The CHAIN operation retrieves a record from a full procedural file (F in position 18 of the file description specifications), sets a record identifying indicator on (if specified on the input specifications), and places the data from the record into the input fields.

The search argument, *search-arg*, must be the key or relative record number used to retrieve the record. If access is by key, *search-arg* can be a single key in the form of a field name, a named constant, a figurative constant, or a literal.

If the file is an externally-described file, *search-arg* can also be a composite key in the form of a KLIST name, a list of values, or %KDS. Graphic and UCS-2 key fields must have the same CCSID as the key in the file. For an example of %KDS, see the example at the end of “%KDS (Search Arguments in Data Structure)” on page 507. If access is by relative record number, *search-arg* must be an integer literal or a numeric field with zero decimal positions.

The *name* operand specifies the file or record format name that is to be read. A record format name is valid with an externally described file. If a file name is specified in *name* and access is by key, the CHAIN operation retrieves the first record that matches the search argument.

If *name* is a record format name and access is by key, the CHAIN operation retrieves the first record of the specified record type whose key matches the search argument. If no record is found of the specified record type that matches the search argument, a no-record-found condition exists.

If the *data-structure* operand is specified, the record is read directly into the data structure. If *name* refers to a program-described file (identified by an F in position 22 of the file description specification), the data structure can be any data structure of the same length as the file's declared record length. If *name* refers to an externally-described file or a record format from an externally described file, the data structure must be a data structure defined with EXTNAME(...:INPUT) or LIKERE(...:INPUT). See “File Operations” on page 416 for information on how to define the data structure and how data is transferred between the file and the data structure.

For a WORKSTN file, the CHAIN operation retrieves a subfile record.

For a multiple device file, you must specify a record format in the *name* operand. Data is read from the program device identified by the field name specified in the “DEVID(fieldname)” on page 278 keyword in the file specifications for the device file. If the keyword is not specified, data is read from the device for the last successful input operation to the file.

If the file is specified as an input DISK file, all records are read without locks and so no operation extender can be specified. If the file is specified as update, all records are locked if the N operation extender is not specified.

## CHAIN (Random Retrieval from a File)

If you are reading from an update disk file, you can specify an N operation extender to indicate that no lock should be placed on the record when it is read (e.g. CHAIN (N)). See the *WebSphere Development Studio: ILE RPG Programmer's Guide* for more information.

You can specify an indicator in positions 71-72 that is set on if no record in the file matches the search argument. This information can also be obtained from the %FOUND built-in function, which returns '0' if no record is found, and '1' if a record is found.

To handle CHAIN exceptions (file status codes greater than 1000), either the operation code extender 'E' or an error indicator ER can be specified, but not both. For more information on error handling, see "File Exception/Errors" on page 65.

Positions 75 and 76 must be blank.

When the CHAIN operation is successful, the file specified in *name* is positioned such that a subsequent read operation retrieves the record logically following or preceding the retrieved record. When the CHAIN operation is not completed successfully (for example, an error occurs or no record is found), the file specified in *name* must be repositioned (for example, by a CHAIN or SETLL operation) before a subsequent read operation can be done on that file.

If an update (on the calculation or output specifications) is done on the file specified in *name* immediately after a successful CHAIN operation to that file, the last record retrieved is updated.

See "Database Null Value Support" on page 209 for information on handling records with null-capable fields and keys.

For more information, see "File Operations" on page 416.

**Note:** Operation code extenders H, M, and R are allowed only when the search argument is a list or is %KDS().

```
*..1....+....2....+....3....+....4....+....5....+....6....+....7....+....
*
* The CHAIN operation retrieves the first record from the file,
* FILEX, that has a key field with the same value as the search
* argument KEY (factor 1).

/FREE
 CHAIN KEY FILEX;

// If a record with a key value equal to the search argument is
// not found, %FOUND returns '0' and the EXSR operation is
// processed. If a record is found with a key value equal
// to the search argument, the program continues with
// the calculations after the EXSR operation.

 IF NOT %FOUND;
 EXSR Not_Found;
 ENDIF;
/END-FREE
```

Figure 262. CHAIN Operation with a File Name

## CHAIN (Random Retrieval from a File)

```
Ffilename++IPEASF.....L.....A.Device+.Keywords+++++++
FCUSTFILE IF E K DISK
/free
 // Specify the search keys directly in a list
 chain ('abc' : 'AB') custrec;
 // Expressions can be used in the list of keys
 chain (%xlate(custname : LO : UP) : companyCode + partCode)
 custrec;
 return;
```

Figure 263. CHAIN Operation Using a List of Key Fields

```
Ffilename++IPEASF.....L.....A.Device+.Keywords+++++++
FCUSTFILE IF E K DISK
DName+++++++ETDsFrom+++To/L+++IDc.Keywords+++++++
D custRecDs ds likerec(custRec)

/free
 // Read the record directly into the data structure
 chain ('abc' : 'AB') custRec custRecDs;
 // Use the data structure fields
 if (custRecDs.code = *BLANKS);
 custRecDs.code = getCompanyCode (custRecDs);
 update custRec custRecDs;
 endif;
```

Figure 264. CHAIN Operation Using a Data Structure with an Externally-Described File

## CHECK (Check Characters)

---

### CHECK (Check Characters)

|                  |                                                  |
|------------------|--------------------------------------------------|
| Free-Form Syntax | (not allowed - use the %CHECK built-in function) |
|------------------|--------------------------------------------------|

| Code      | Factor 1          | Factor 2          | Result Field  | Indicators |    |    |
|-----------|-------------------|-------------------|---------------|------------|----|----|
| CHECK (E) | Comparator string | Base string:start | Left-position | -          | ER | FD |

The CHECK operation verifies that each character in the base string (factor 2) is among the characters indicated in the comparator string (factor 1). The base string and comparator string must be of the same type, either both character, both graphic, or both UCS-2. (Graphic and UCS-2 types must have the same CCSID value.) Verifying begins at the leftmost character of factor 2 and continues character by character, from left to right. Each character of the base string is compared with the characters of factor 1. If a match for a character in factor 2 exists in factor 1, the next base string character is verified. If a match is not found, an integer value is placed in the result field to indicate the position of the incorrect character.

You can specify a start position in factor 2, separating it from the base string by a colon. The start position is optional and defaults to 1. If the start position is greater than 1, the value in the result field is relative to the leftmost position in the base string, regardless of the start position.

The operation stops checking when it finds the first incorrect character or when the end of the base string is encountered. If no incorrect characters are found, the result field is set to zero.

If the result field is an array, the operation continues checking after the first incorrect character is found for as many occurrences as there are elements in the array. If there are more array elements than incorrect characters, all of the remaining elements are set to zeros.

Factor 1 must be a string, and can contain one of: a field name, array element, named constant, data structure name, data structure subfield, literal, or table name.

Factor 2 must contain either the base string or the base string, followed by a colon, followed by the start location. The base string portion of factor 2 can contain: a field name, array element, named constant, data-structure name, literal, or table name. The start location portion of factor 2 must be numeric with no decimal positions, and can be a named constant, array element, field name, literal, or table name. If no start location is specified, a value of 1 is used.

The result field can be a numeric variable, numeric array element, numeric table name, or numeric array. Define the field or array specified with no decimal positions. If graphic or UCS-2 data is used, the result field will contain double-byte character positions (that is, position 3, the 3rd double-byte character, will be character position 5).

**Note:** Figurative constants cannot be used in the factor 1, factor 2, or result fields. No overlapping is allowed in a data structure for factor 1 and the result field or for factor 2 and the result field.

Any valid indicator can be specified in positions 7 to 11.

## CHECK (Check Characters)

To handle CHECK exceptions (program status code 100), either the operation code extender 'E' or an error indicator ER can be specified, but not both. For more information on error handling, see "Program Exception/Errors" on page 82.

You can specify an indicator in positions 75-76 that is set on if any incorrect characters are found. This information can also be obtained from the %FOUND built-in function, which returns '1' if any incorrect characters are found.

For more information, see "String Operations" on page 429.

```
*...1....+....2....+....3....+....4....+....5....+....6....+....7...+....
DName+++++ETDsFrom+++To/L+++IDc.Keywords+++++
* In this example, the result will be N=6, because the start
* position is 2 and the first nonnumeric character found is the '.'.
* The %FOUND built-in function is set to return '1', because some
* nonnumeric characters were found.
*
D
D Digits C '0123456789'
CLON01Factor1+++++Opcod(E)+Factor2+++++Result+++++Len++D+HiLoEq....
*
C
C MOVE '$2000.' Salary
C Digits CHECK Salary:2 N
C IF %FOUND
C EXSR NonNumeric
C ENDIF
*
* Because factor 1 is a blank, CHECK indicates the position
* of the first nonblank character. If STRING contains 'bbbth
* NUM will contain the value 4.
*
C
C ' ' CHECK String Num 2 0
```

Figure 265. CHECK Operation

## CHECK (Check Characters)

```

*...1....+....2....+....3....+....4....+....5....+....6....+....7...+....
DName+++++ETDsFrom+++To/L+++IDc.Keywords+++++
* The following example checks that FIELD contains only the letters
* A to J. As a result, ARRAY=(136000) after the CHECK operation.
* Indicator 90 turns on.
*
D
D Letter C 'ABCDEFGHJIJ'
D
CL0N01Factor1+++++Opcode(E)+Factor2+++++Result+++++Len++D+HiLoEq....
*
C
C Letter MOVE '1A=BC*' Field 6
C Letter CHECK Field Array 90
C
*
* In the following example, because FIELD contains only the
* letters A to J, ARRAY=(000000). Indicator 90 turns off.
*
C
C Letter MOVE 'FGFGFG' Field 6
C Letter CHECK Field Array 90
C
C

```

Figure 266. CHECK Operation

```

*...1....+....2....+....3....+....4....+....5....+....6....+....7...+....
DName+++++ETDsFrom+++To/L+++IDc.Keywords+++++
D
* The following example checks a DBCS field for valid graphic
* characters starting at graphic position 2 in the field.
D
* Value of Graffld is 'DDBBCCDD'.
* The value of num after the CHECK is 4, since this is the
* first character 'DD' which is not contained in the string.
D
D Graffld 4G INZ(G'oDDBBCCDDi')
D Num 5 0
D
CL0N01Factor1+++++Opcode(E)+Factor2+++++Result+++++Len++D+HiLoEq.
C
C
C G'oAABCCi' check Graffld:2 Num

```

Figure 267. CHECK Operation with graphic data



## CHECKR (Check Reverse)

|                  |                                                   |
|------------------|---------------------------------------------------|
| Free-Form Syntax | (not allowed - use the %CHECKR built-in function) |
|------------------|---------------------------------------------------|

| Code       | Factor 1          | Factor 2          | Result Field   | Indicators |    |    |
|------------|-------------------|-------------------|----------------|------------|----|----|
| CHECKR (E) | Comparator string | Base string:start | Right-position | -          | ER | FD |

The CHECKR operation verifies that each character in the base string (factor 2) is among the characters indicated in the comparator string (factor 1). The base string and comparator string must be of the same type, either both character, both graphic, or both UCS-2. (Graphic and UCS-2 types must have the same CCSID value.) Verifying begins at the rightmost character of factor 2 and continues character by character, from right to left. Each character of the base string is compared with the characters of factor 1. If a match for a character in factor 2 exists in factor 1, the next source character is verified. If a match is not found, an integer value is placed in the result field to indicate the position of the incorrect character. Although checking is done from the right, the position placed in the result field will be relative to the left.

You can specify a start position in factor 2, separating it from the base string by a colon. The start position is optional and defaults to the length of the string. The value in the result field is relative to the leftmost position in the source string, regardless of the start position.

If the result field is not an array, the operation stops checking when it finds the first incorrect character or when the end of the base string is encountered. If no incorrect characters are found, the result field is set to zero.

If the result field is an array, the operation continues checking after the first incorrect character is found for as many occurrences as there are elements in the array. If there are more array elements than incorrect characters, all of the remaining elements are set to zeros.

Factor 1 must be a string and can contain one of: a field name, array element, named constant, data structure name, data structure subfield, literal, or table name.

Factor 2 must contain either the base string or the base string, followed by a colon, followed by the start location. The base string portion of factor 2 can contain: a field name, array element, named constant, data structure name, data structure subfield name, literal, or table name. The start location portion of factor 2 must be numeric with no decimal positions, and can be a named constant, array element, field name, literal, or table name. If no start location is specified, the length of the string is used.

The result field can be a numeric variable, numeric array element, numeric table name, or numeric array. Define the field or array specified with no decimal positions. If graphic or UCS-2 data is used, the result field will contain double-byte character positions (that is, position 3, the 3rd double-byte character, will be character position 5).

**Note:** Figurative constants cannot be used in the factor 1, factor 2, or result fields. No overlapping is allowed in a data structure for factor 1 and the result field, or for factor 2 and the result field.

## CHECKR (Check Reverse)

Any valid indicator can be specified in positions 7 to 11.

To handle CHECKR exceptions (program status code 100), either the operation code extender 'E' or an error indicator ER can be specified, but not both. For more information on error handling, see "Program Exception/Errors" on page 82.

You can specify an indicator in positions 75-76 that is set on if any incorrect characters are found. This information can also be obtained from the %FOUND built-in function, which returns '1' if any incorrect characters are found.

For more information, see "String Operations" on page 429.

```
*...1....+....2....+....3....+....4....+....5....+....6....+....7....+....
CL0N01Factor1+++++Opcode(E)+Factor2+++++Result+++++Len++D+HiLoEq....
*
* Because factor 1 is a blank character, CHECKR indicates the
* position of the first nonblank character. This use of CHECKR
* allows you to determine the length of a string. If STRING
* contains 'ABCDEF ', NUM will contain the value 6.
* If an error occurs, %ERROR is set to return '1' and
* %STATUS is set to return status code 00100.
*
C
C ' ' CHECKR(E) String Num
C
C SELECT
C WHEN %ERROR
C ... an error occurred
C WHEN %FOUND
C ... NUM is less than the full length of the string
C ENDIF
```

Figure 268. CHECKR Operation

```
*...1....+....2....+....3....+....4....+....5....+....6....+....7....+....
DName+++++ETDsFrom+++To/L+++IDc.Keywords+++++
*
* After the following example, N=1 and the found indicator 90
* is on. Because the start position is 5, the operation begins
* with the rightmost 0 and the first nonnumeric found is the '$'.
*
D Digits C '0123456789'
D
CL0N01Factor1+++++Opcode(E)+Factor2+++++Result+++++Len++D+HiLoEq....
C
C Digits MOVE '$2000.' Salary 6
C Digits CHECKR Salary:5 N 90
C
```

Figure 269. CHECKR Operation

```

*...1....+....2....+....3....+....4....+....5....+....6....+....7...+....
*
* The following example checks that FIELD contains only the letters
* A to J. As a result, ARRAY=(876310) after the CHECKR operation.
* Indicator 90 turns on. %FOUND would return '1'.
D
DName+++++ETDsFrom+++To/L+++IDc.Keywords+++++
D Array S 1 DIM(6)
D Letter C 'ABCDEFGHIJ'
D
CL0N01Factor1+++++Opcode(E)+Factor2+++++Result+++++Len++D+HiLoEq....
C
C MOVE '1A=BC***' Field 8
C Letter CHECKR Field Array 90
C

```

Figure 270. CHECKR Operation

## CLEAR (Clear)

---

## CLEAR (Clear)

|                  |                                   |
|------------------|-----------------------------------|
| Free-Form Syntax | CLEAR {*NOKEY} {*ALL} <i>name</i> |
|------------------|-----------------------------------|

| Code  | Factor 1 | Factor 2 | Result Field                            | Indicators |  |  |
|-------|----------|----------|-----------------------------------------|------------|--|--|
| CLEAR | *NOKEY   | *ALL     | <u>name</u> (variable or record format) |            |  |  |

The CLEAR operation sets elements in a structure (record format, data structure, array, or table) or a variable (field, subfield, array element or indicator), to their default initialization value depending on field type (numeric, character, graphic, UCS-2, indicator, pointer, or date/time/timestamp). For the default initialization value for a data type, see Chapter 10, "Data Types and Data Formats," on page 169.

Fully qualified names may be specified as the Result-Field operand for CLEAR when coded in free-form calculation specifications. If the structure or variable being cleared is variable-length, its length changes to 0. The CLEAR operation allows you to clear structures on a global basis, as well as element by element, during run time.

See "Initialization Operations" on page 420.

### Clearing Variables

You cannot specify \*NOKEY.

\*ALL is optional. If \*ALL is specified and the *name* operand is a multiple occurrence data structure or a table name, all occurrences or table elements are cleared and the occurrence level or table index is set to 1.

The *name* operand specifies the variable to be cleared. The particular entry in the *name* operand determines the clear action as follows:

#### Single occurrence data structure

All fields are cleared in the order in which they are declared within the structure.

#### Multiple-occurrence data structure

If \*ALL is not specified, all fields in the *current* occurrence are cleared. If \*ALL is specified, all fields in *all* occurrences are cleared.

#### Table name

If \*ALL is not specified, the *current* table element is cleared. If \*ALL is specified, all table elements are cleared.

#### Array name

Entire array is cleared

#### Array element (including indicators)

Only the element specified is cleared.

### Clearing Record Formats

\*NOKEY is optional. If \*NOKEY is specified, then key fields are not cleared to their initial values.

\*ALL is optional. If \*ALL is specified and \*NOKEY is not, all fields in the record format are cleared. If \*ALL is not specified, only those fields that are output in that record format are affected. If \*NOKEY is specified, then key fields are not cleared, even if \*ALL is specified.

The *name* operand is the record format to be cleared. For WORKSTN file record formats (positions 36-42 on a file-description specification), if \*ALL is not specified, only those fields with a usage of output or both are affected. All field-conditioning indicators of the record format are affected by the operation. When the RESET operation is applied to a record format name, and INDARA has been specified in the DDS, the indicators in the record format are not cleared.

Fields in DISK, SEQ, or PRINTER file record formats are affected only if the record format is output in the program. Input-only fields are not affected by the RESET operation, except when \*ALL is specified.

A RESET operation of a record format with \*ALL specified is not valid when:

- A field is defined externally as input-only, and the record was not used for input.
- A field is defined externally as output-only, and the record was not used for output.
- A field is defined externally as both input and output capable, and the record was not used for either input or output.

For more information, see “Initialization Operations” on page 420.

**Note:** Input-only fields in logical files will appear in the output specifications, although they are not actually written to the file. When a CLEAR or RESET without \*NOKEY being specified is done to a record containing these fields, then these fields will be cleared or reset because they appear in the output specifications.

## **CLEAR Examples**

- Figure 271 on page 600 shows an example of the CLEAR operation.
- Figure 272 on page 601 shows an example of the field initialization for the CLEAR record format.
- The examples in “RESET Examples” on page 745 also apply to CLEAR, except for the actual operation performed on the fields.

## CLEAR (Clear)

```
*..1....+....2....+....3....+....4....+....5....+....6....+....7...+....
D*Name+++++ETDsFrom+++To/L+++IDc.Keywords+++++
D DS1 DS
D Num 2 5 0
D Char 20 30A
D
D MODS DS OCCURS(2)
D Fld1 1 5
D Fld2 6 10 0

* In the following example, CLEAR sets all subfields in the data
* structure DS1 to their defaults, CHAR to blank, NUM to zero.
/FREE
 CLEAR DS1;

// In the following example, CLEAR sets all occurrences for the
// multiple occurrence data structure MODS to their default values
// Fld1 to blank, Fld2 to zero.
 CLEAR *ALL MODS;
/END-FREE
```

Figure 271. CLEAR Operation

```

*.1....+....2....+....3....+....4....+....5....+....6....+....7....+....
A* Field2 and Field3 are defined as output capable fields and can be
A* affected by the CLEAR operation. Indicator 10 can also be
A* changed by the CLEAR operation even though it conditions an
A* input only field because field indicators are all treated
A* as output fields. The reason for this is that *ALL was not specific
A* on the CLEAR operation
A*
A*N01N02N03T.Name+++++RLen++TDpBLinPosFunctions+++++
A R FMT01
A 10 Field1 10A I 2 30
A Field2 10A 0 3 30
A Field3 10A B 4 30
A*
A* End of DDS source
A*

F*Flenam+IPEASFRlen+LKlen+AIdevice+.Keywords+++++
FWORKSTN CF E WORKSTN INCLUDE(FMT01)
F
D*Name+++++ETDsFrom+++To/L+++IDc.Keywords+++++
D IN C 'INPUT DATA'

/FREE
CLEAR FMT01;
WRITE FMT01;

// Loop until PF03 is pressed
DOW NOT *IN03;
READ FMT01;
*INLR = %EOF;

// PF04 will transfer input fields to output fields.
IF *IN04;
Field2 = Field3;
Field3 = Field1;
CLEAR *IN04;
ENDIF;
Field1 = IN;

// When PF11 is pressed, all the fields in the record format
// defined as output or both will be reset to the values they
// held after the initialization step.
IF *IN11;
RESET FMT01;
CLEAR *IN11;
ENDIF;

// When PF12 is pressed, all the fields in the record
// format defined as output or both will be cleared.
IF *IN12;
CLEAR FMT01;
CLEAR *IN12;
ENDIF;

IF NOT *IN03;
WRITE FMT01;
ENDIF;
ENDDO;

*INLR = *ON;
/END-FREE

```

Figure 272. Field Initialization for the CLEAR Record Format

## CLOSE (Close Files)

### CLOSE (Close Files)

|                  |                                    |
|------------------|------------------------------------|
| Free-Form Syntax | CLOSE{(E)} <i>file-name</i>   *ALL |
|------------------|------------------------------------|

| Code      | Factor 1 | Factor 2                        | Result Field | Indicators |    |   |
|-----------|----------|---------------------------------|--------------|------------|----|---|
| CLOSE (E) |          | <u>file-name</u> or <u>*ALL</u> |              | -          | ER | - |

The explicit CLOSE operation closes one or more files or devices and disconnects them from the module. The file cannot be used again in the module unless you specify an explicit OPEN for that file. A CLOSE operation to an already closed file does not produce an error.

*file-name* names the file to be closed. You can specify the keyword \*ALL to close all the files at once. You cannot specify an array or table file (identified by a T in position 18 of the file description specifications).

To handle CLOSE exceptions (file status codes greater than 1000), either the operation code extender 'E' or an error indicator ER can be specified, but not both. For more information on error handling, see "File Exception/Errors" on page 65.

Positions 71, 72, 75, and 76 must be blank.

If an array or table is to be written to an output file (specified using the TOFILE keyword) the array or table dump does not occur at LR time if the file is closed by a CLOSE operation). If the file is closed, it must be reopened for the dump to occur.

For more information, see "File Operations" on page 416.

```
*..1....+....2....+....3....+....4....+....5....+....6....+....7....+....
* The explicit CLOSE operation closes FILEB.

/FREE
 CLOSE FILEB;

 // The CLOSE *ALL operation closes all files in the
 // module. You must specify an explicit OPEN for any file that
 // you wish to use again. If the CLOSE operation is not
 // completed successfully, %ERROR returns '1'.

 CLOSE(E) *ALL;

/END-FREE
```

Figure 273. CLOSE Operation



## COMMIT (Commit)

|                  |                                 |
|------------------|---------------------------------|
| Free-Form Syntax | COMMIT{(E)} { <i>boundary</i> } |
|------------------|---------------------------------|

| Code       | Factor 1        | Factor 2 | Result Field | Indicators |    |   |
|------------|-----------------|----------|--------------|------------|----|---|
| COMMIT (E) | <i>boundary</i> |          |              | -          | ER | - |

The COMMIT operation:

- Makes all the changes to your files, opened for commitment control, that have been specified in output operations since the previous commit or rollback “ROLBK (Roll Back)” on page 753 operation (or since the beginning of operations under commitment control if there has been no previous commit or rollback operation). You specify a file to be opened for commit by specifying the COMMIT keyword on the file specification.
- Releases all the record locks for files you have under commitment control.

The file changes and the record-lock releases apply to all the files you have under commitment control, whether the changes have been requested by the program issuing the COMMIT operation, or by another program in the same activation group or job, dependent on the commit scope specified on the STRCMTCTL command. The program issuing the COMMIT operation does not need to have any files under commitment control. The COMMIT operation does not change the file position.

Commitment control starts when the CL command STRCMTCTL is executed. See the section on “Commitment Control” in the *WebSphere Development Studio: ILE RPG Programmer’s Guide* for more information.

For the *boundary* operand, , you can specify a constant or variable (of any type except pointer) to identify the boundary between the changes made by this COMMIT operation and subsequent changes. If *boundary* is not specified, the identifier is null.

To handle COMMIT exceptions (program status codes 802 to 805), either the operation code extender ‘E’ or an error indicator ER can be specified, but not both. For example, an error occurs if commitment control is not active. For more information on error handling, see “Program Exception/Errors” on page 82.

For more information, see “File Operations” on page 416.

## COMP (Compare)

### COMP (Compare)

|                  |                                                                  |
|------------------|------------------------------------------------------------------|
| Free-Form Syntax | (not allowed - use the use the =, <, <=, >, >=, or <> operators) |
|------------------|------------------------------------------------------------------|

| Code | Factor 1         | Factor 2         | Result Field | Indicators |    |    |
|------|------------------|------------------|--------------|------------|----|----|
| COMP | <u>Comparand</u> | <u>Comparand</u> |              | HI         | LO | EQ |

The COMP operation compares factor 1 with factor 2. Factor 1 and factor 2 can contain a literal, a named constant, a field name, a table name, an array element, a data structure, or a figurative constant. Factor 1 and factor 2 must have the same data type. As a result of the comparison, indicators are set on as follows:

- *High*: (71-72) Factor 1 is greater than factor 2.
- *Low*: (73-74) Factor 1 is less than factor 2.
- *Equal*: (75-76) Factor 1 equals factor 2.

You must specify at least one resulting indicator in positions 71 through 76. Do not specify the same indicator for all three conditions. When specified, the resulting indicators are set on or off (for each cycle) to reflect the results of the compare.

For further rules for the COMP operation, see "Compare Operations" on page 408.

```
*...1....+....2....+....3....+....4....+....5....+....6....+....7....+....
CL0N01Factor1+++++0pcode(E)+Factor2+++++Result+++++Len++D+HiLoEq....
*
* Initial field values are:
* FLDA = 100.00
* FLDB = 105.00
* FLDC = 100.00
* FLDD = ABC
* FLDE = ABCDE
*
* Indicator 12 is set on; indicators 11 and 13 are set off.
C FLDA COMP FLDB 111213
*
* Indicator 15 is set on; indicator 14 is set off.
C FLDA COMP FLDB 141515
*
* Indicator 18 is set on; indicator 17 is set off.
C FLDA COMP FLDC 171718
*
* Indicator 21 is set on; indicators 20 and 22 are set off
C FLDD COMP FLDE 202122
```

Figure 274. COMP Operation

---

**DEALLOC (Free Storage)**

|                  |                                   |
|------------------|-----------------------------------|
| Free-Form Syntax | DEALLOC{(EN)} <i>pointer-name</i> |
|------------------|-----------------------------------|

| Code             | Factor 1 | Factor 2 | Result Field        | Indicators |    |   |
|------------------|----------|----------|---------------------|------------|----|---|
| DEALLOC<br>(E/N) |          |          | <u>pointer-name</u> | -          | ER | - |

The DEALLOC operation frees one previous allocation of heap storage. *pointer-name* is a pointer that must be the value previously set by a heap-storage allocation operation (either an ALLOC operation in RPG, or some other heap-storage allocation mechanism). It is not sufficient to simply point to heap storage; the pointer must be set to the beginning of an allocation.

The storage pointed to by the pointer is freed for subsequent allocation by this program or any other in the activation group.

If operation code extender N is specified, the pointer is set to \*NULL after a successful deallocation.

To handle DEALLOC exceptions (program status code 426), either the operation code extender 'E' or an error indicator ER can be specified, but not both. The result field pointer will not be changed if an error occurs, even if 'N' is specified. For more information on error handling, see "Program Exception/Errors" on page 82.

*pointer-name* must be a basing pointer scalar variable (a standalone field, data structure subfield, table name or array element).

No error is given at runtime if the pointer is already \*NULL.

For more information, see "Memory Management Operations" on page 420.

## DEALLOC (Free Storage)

```
*..1....+....2....+....3....+....4....+....5....+....6....+....7...+....
D*Name+++++ETDsFrom+++To/L+++IDc.Keywords+++++
*
D Ptr1 S *
D Fld1 S 1A
D BasedFld S 7A BASED(Ptr1)

/FREE
// 7 bytes of storage are allocated from the heap and
// Ptr1 is set to point to it
Ptr1 = %alloc (7);

// The DEALLOC frees the storage. This storage is now available
// for allocation by this program or any other program in the
// activation group. (Note that the next allocation may or
// may not get the same storage back).
dealloc Ptr1;

// Ptr1 still points at the deallocated storage, but this pointer
// should not be used with its current value. Any attempt to
// access BasedFld which is based on Ptr1 is invalid.
Ptr1 = %addr (Fld1);

// The DEALLOC is not valid because the pointer is set to the
// address of program storage. %ERROR is set to return '1',
// the program status is set to 00426 (%STATUS returns 00426),
// and the pointer is not changed.
dealloc(e) Ptr1;

// Allocate and deallocate storage again. Since operational
// extender N is specified, Ptr1 has the value *NULL after the
// DEALLOC.
Ptr1 = %alloc (7);
dealloc(n) Ptr1;
/END-FREE
```

Figure 275. DEALLOC operation

## DEFINE (Field Definition)

|                  |                                                                                |
|------------------|--------------------------------------------------------------------------------|
| Free-Form Syntax | (not allowed - use the LIKE or DTAARA keyword on the Definition specification) |
|------------------|--------------------------------------------------------------------------------|

| Code   | Factor 1       | Factor 2                | Result Field          | Indicators |  |  |
|--------|----------------|-------------------------|-----------------------|------------|--|--|
| DEFINE | <u>*LIKE</u>   | <u>Referenced field</u> | <u>Defined field</u>  |            |  |  |
| DEFINE | <u>*DTAARA</u> | External data area      | <u>Internal field</u> |            |  |  |

Depending on the factor 1 entry, the declarative DEFINE operation can do either of the following:

- Define a field based on the attributes (length and decimal positions) of another field .
- Define a field as a data area .

You can specify the DEFINE operation anywhere within calculations, although you cannot specify a \*DTAARA DEFINE in a subprocedure or use it with a UCS-2 result field. The control level entry (positions 7 and 8) can be blank or can contain an L1 through L9 indicator, the LR indicator, or an L0 entry to group the statement within the appropriate section of the program. The control level entry is used for documentation only. Conditioning indicator entries (positions 9 through 11) are not permitted.

### \*LIKE DEFINE

The “DEFINE (Field Definition)” operation with \*LIKE in factor 1 defines a field based upon the attributes (length and decimal positions) of another field.

Factor 2 must contain the name of the field being referenced, and the result field must contain the name of the field being defined. The field specified in factor 2, which can be defined in the program or externally, provides the attributes for the field being defined. Factor 2 cannot be a literal, a named constant, a float numeric field, or an object. If factor 2 is an array, an array element, or a table name, the attributes of an element of the array or table are used to define the field. The result field cannot be an array, an array element, a data structure, or a table name. Attributes such as ALTSEQ(\*NO), NOOPT, ASCEND, CONST or null capability are not inherited from factor 2 by the result field. Only the data type, length, and decimal positions are inherited.

You can use positions 64 through 68 (field length) to make the result field entry longer or shorter than the factor 2 entry. A plus sign (+) preceding the number indicates a length increase; a minus sign (-) indicates a length decrease. Positions 65-68 can contain the increase or decrease in length (right-adjusted) or can be blank. If positions 64 through 68 are blank, the result field entry is defined with the same length as the factor 2 entry. You cannot change the number of decimal positions for the field being defined. The field length entry is allowed only for graphic, UCS-2, numeric, and character fields.

For graphic or UCS-2 fields the field length difference is calculated in double-byte characters.

If factor 2 is a graphic or UCS-2 field, the result field will be defined as the same type, that is, as graphic or UCS-2. The new field will have the default graphic or UCS-2 CCSID of the module. If you want the new field to have the same CCSID as

## DEFINE (Field Definition)

the field in factor 2, use the LIKE keyword on a definition specification. The length adjustment is expressed in double bytes.

```
*...1....+....2....+....3....+....4....+....5....+....6....+....7...+....
CL0N01Factor1+++++Opcode(E)+Factor2+++++Result+++++Len++D+HiLoEq....
*
* FLDA is a 7-position character field.
* FLDB is a 5-digit field with 2 decimal positions.
*
*
* FLDP is a 7-position character field.
C *LIKE DEFINE FLDA FLDP
*
* FLDQ is a 9-position character field.
C *LIKE DEFINE FLDA FLDQ +2
*
* FLDR is a 6-position character field.
C *LIKE DEFINE FLDA FLDR - 1
*
* FLDS is a 5-position numeric field with 2 decimal positions.
C *LIKE DEFINE FLDB FLDS
*
* FLDT is a 6-position numeric field with 2 decimal positions.
C *LIKE DEFINE FLDB FLDT + 1
*
* FLDU is a 3-position numeric field with 2 decimal positions.
C *LIKE DEFINE FLDB FLDU - 2
*
* FLDX is a 3-position numeric field with 2 decimal positions.
C *LIKE DEFINE FLDU FLDX
```

Figure 276. DEFINE Operation with \*LIKE

Note the following for \*LIKE DEFINE of numeric fields:

- If the field is fully defined on Definition Specifications, the format is not changed by the \*LIKE DEFINE.
- Otherwise, if the field is a subfield of a data structure, it is defined in zoned format.
- Otherwise, the field is defined in packed format.

```
D DS
D F1d1
D F1d2 S 7P 2
*
* F1d1 will be defined as zoned because it is a subfield of a
* data structure and numeric subfields default to zoned format.
*
C *LIKE DEFINE F1d2 F1d1
*
* F1d3 will be defined as packed because it is a standalone field
* and all numeric items except subfields default to packed format.
C *LIKE DEFINE F1d1 F1d3
```

Figure 277. Using \*LIKE DEFINE

**\*DTAARA DEFINE**

The “DEFINE (Field Definition)” on page 607 operation with \*DTAARA in factor 1 associates a field, a data structure, a data-structure subfield, or a data-area data structure (within your ILE RPG program) with an AS/400 data area (outside your ILE RPG program).

**Note:** You cannot use \*DTAARA DEFINE within a subprocedure or with a UCS-2 result field.

In factor 2, specify the external name of a data area. Use \*LDA for the name of the local data area or use \*PDA for the Program Initialization Parameters (PIP) data area. If you leave factor 2 blank, the result field entry is both the RPG IV name and the external name of the data area.

In the result field, specify the name of one of the following that you have defined in your program: a field, a data structure, a data structure subfield, or a data-area data structure. You use this name with the IN and OUT operations to retrieve data from and write data to the data area specified in factor 2. When you specify a data-area data structure in the result field, the ILE RPG program implicitly retrieves data from the data area at program start and writes data to the data area when the program ends.

The result field entry must not be the name of a program-status data structure, a file-information data structure (INFDS), a multiple-occurrence data structure, an input record field, an array, an array element, or a table. It cannot be the name of a subfield of a multiple-occurrence data structure, of a data area data structure, of a program-status data structure, of a file-information data structure (INFDS), or of a data structure that already appears on a \*DTAARA DEFINE statement, or has already been defined as a data area using the DTAARA keyword on a definition specification.

You can create three kinds of data areas:

- \*CHAR Character
- \*DEC Numeric
- \*LGL Logical

You can also create a DDM data area (type \*DDM) that points to a data area on a remote system of one of the three types above.

Only character and numeric types (excluding float numeric) are allowed to be associated with data areas. The actual data area on the system must be of the same type as the field in the program, with the same length and decimal positions. Indicator fields can be associated with either a logical or character data area.

For numeric data areas, the maximum length is 24 digits with 9 decimal places. Note that there is a maximum of 15 digits to the left of the decimal place, even if the number of decimals is less than 9.

In positions 64 through 70, you can define the length and number of decimal positions for the entry in the result field. These specifications must match those for the external description of the data area specified in factor 2. The local data area is character data of length 1024, but within your program you can access the local data area as if it has a length of 1024 or less.

## DEFINE (Field Definition)

```
*...1....+....2....+....3....+....4....+....5....+....6....+....7...+....
CL0N01Factor1+++++Opcode(E)+Factor2+++++Result+++++Len++D+HiLoEq....
*
* The attributes (length and decimal positions) of
* the data area (TOTGRS) must be the same as those for the
* external data area.
C
C *DTAARA DEFINE TOTGRS 10 2
C
*
* The result field entry (TOTNET) is the name of the data area to
* be used within the ILE RPG program. The factor 2 entry (TOTAL)
* is the name of the data area as defined to the system.
C
C *DTAARA DEFINE TOTAL TOTNET
C
*
* The result field entry (SAVTOT) is the name of the data area to
* be used within the ILE RPG program. The factor 2 entry (*LDA)
* indicates the use of the local data area.
C
C *DTAARA DEFINE *LDA SAVTOT
```

Figure 278. DEFINE Operation with \*DTAARA



---

**DELETE (Delete Record)**

|                  |                                                  |
|------------------|--------------------------------------------------|
| Free-Form Syntax | DELETE((EHMR)) { <i>search-arg</i> } <i>name</i> |
|------------------|--------------------------------------------------|

| Code       | Factor 1   | Factor 2                            | Result Field | Indicators |    |   |
|------------|------------|-------------------------------------|--------------|------------|----|---|
| DELETE (E) | search-arg | <u>name</u> (file or record format) |              | NR         | ER | - |

The DELETE operation deletes a record from a database file. The file must be an update file (identified by a U in position 17 of the file description specifications). The deleted record can never be retrieved.

If a search argument (*search-arg*) is not specified, the DELETE operation deletes the current record (the last record retrieved). The record must have been locked by a previous input operation (for example, CHAIN or READ).

The search argument, *search-arg*, must be the key or relative record number used to retrieve the record to be deleted. If access is by key, *search-arg* can be a single key in the form of a field name, a named constant, a figurative constant, or a literal.

If the file is an externally-described file, *search-arg* can also be a composite key in the form of a KLIST name, a list of values, or %KDS. Graphic and UCS-2 key fields must have the same CCSID as the key in the file. For an example of %KDS, see the example at the end of “%KDS (Search Arguments in Data Structure)” on page 507. If access is by relative record number, *search-arg* must be an integer literal or a numeric field with zero decimal positions. For an example of using a list of values to search for the record to be deleted, see Figure 263 on page 591.

The *name* operand must be the name of the update file or a record format in the file from which a record is to be deleted. A record format name is valid only with an externally described file. If *search-arg* is not specified, the record format name must be the name of the last record read from the file; otherwise, an error occurs.

If *search-arg* is specified, positions 71 and 72 can contain an indicator that is set on if the record to be deleted is not found in the file. If *search-arg* is not specified, leave these positions blank. This information can also be obtained from the %FOUND built-in function, which returns '0' if no record is found, and '1' if a record is found.

To handle DELETE exceptions (file status codes greater than 1000), either the operation code extender 'E' or an error indicator ER can be specified, but not both. For more information on error handling, see “File Exception/Errors” on page 65.

Under the i5/OS operating system, if a read operation is done on the file specified in *file-name* after a successful DELETE operation to that file, the next record after the deleted record is obtained.

See “Database Null Value Support” on page 209 for information on handling records with null-capable fields and keys.

For more information, see “File Operations” on page 416.

**Notes:**

1. Operation code extenders H, M, and R are allowed only when the search argument is a list or is %KDS().

## **DELETE (Delete Record)**

2. Leave positions 75 and 76 blank.

## DIV (Divide)

|                  |                                                                        |
|------------------|------------------------------------------------------------------------|
| Free-Form Syntax | (not allowed - use the / or /= operator, or the%DIV built-in function) |
|------------------|------------------------------------------------------------------------|

| Code    | Factor 1 | Factor 2       | Result Field    | Indicators |   |   |
|---------|----------|----------------|-----------------|------------|---|---|
| DIV (H) | Dividend | <u>Divisor</u> | <u>Quotient</u> | +          | - | Z |

If factor 1 is specified, the DIV operation divides factor 1 by factor 2; otherwise, it divides the result field by factor 2. The quotient (result) is placed in the result field. If factor 1 is 0, the result of the divide operation is 0. Factor 2 cannot be 0. If it is, an error occurs and the RPG IV exception/error handling routine receives control. When factor 1 is not specified, the result field (dividend) is divided by factor 2 (divisor), and the result (quotient) is placed in the result field. Factor 1 and factor 2 must be numeric; each can contain one of: an array, array element, field, figurative constant, literal, named constant, subfield, or table name.

Any remainder resulting from the divide operation is lost unless the move remainder (MVR) operation is specified as the next operation. If you use conditioning indicators, you must ensure that the DIV operation is processed immediately before the MVR operation. If the MVR operation is processed before the DIV operation, undesirable results occur. If move remainder is the next operation, the result of the divide operation cannot be half-adjusted (rounded).

For further rules for the DIV operation, see “Arithmetic Operations” on page 398.

Figure 152 on page 401 shows examples of the DIV operation.

**Note:** The MVR operation cannot follow a DIV operation if any operand of the DIV operation is of float format. A float variable can, however, be specified as the result of operation code MVR.

## DO (Do)

---

## DO (Do)

|                  |                                            |
|------------------|--------------------------------------------|
| Free-Form Syntax | (not allowed - use the FOR operation code) |
|------------------|--------------------------------------------|

| Code | Factor 1       | Factor 2    | Result Field | Indicators |  |  |
|------|----------------|-------------|--------------|------------|--|--|
| DO   | Starting value | Limit value | Index value  |            |  |  |

The DO operation begins a group of operations and indicates the number of times the group will be processed. To indicate the number of times the group of operations is to be processed, specify an index field, a starting value, and a limit value. An associated ENDDO statement marks the end of the group. For further information on DO groups, see “Structured Programming Operations” on page 431.

In factor 1, specify a starting value with zero decimal positions, using a numeric literal, named constant, or field name. If you do not specify factor 1, the starting value is 1.

In factor 2, specify the limit value with zero decimal positions, using a numeric field name, literal, or named constant. If you do not specify factor 2, the limit value is 1.

In the result field, specify a numeric field name that will contain the current index value. The result field must be large enough to contain the limit value plus the increment. If you do not specify an index field, one is generated for internal use. Any value in the index field is replaced by factor 1 when the DO operation begins.

Factor 2 of the associated ENDDO operation specifies the value to be added to the index field. It can be a numeric literal or a numeric field with no decimal positions. If it is blank, the value to be added to the index field is 1.

In addition to the DO operation itself, the conditioning indicators on the DO and ENDDO statements control the DO group. The conditioning indicators on the DO statement control whether or not the DO operation begins. These indicators are checked only once, at the beginning of the DO loop. The conditioning indicators on the associated ENDDO statement control whether or not the DO group is repeated another time. These indicators are checked at the end of each loop.

The DO operation follows these 7 steps:

1. If the conditioning indicators on the DO statement line are satisfied, the DO operation is processed (step 2). If the indicators are not satisfied, control passes to the next operation to be processed following the associated ENDDO statement (step 7).
2. The starting value (factor 1) is moved to the index field (result field) when the DO operation begins.
3. If the index value is greater than the limit value, control passes to the calculation operation following the associated ENDDO statement (step 7). Otherwise, control passes to the first operation after the DO statement (step 4).
4. Each of the operations in the DO group is processed.
5. If the conditioning indicators on the ENDDO statement are not satisfied, control passes to the calculation operation following the associated ENDDO statement (step 7). Otherwise, the ENDDO operation is processed (step 6).

6. The ENDDO operation is processed by adding the increment to the index field. Control passes to step 3. (Note that the conditioning indicators on the DO statement are not tested again (step 1) when control passes to step 3.)
7. The statement after the ENDDO statement is processed when the conditioning indicators on the DO or ENDDO statements are not satisfied (step 1 or 5), or when the index value is greater than the limit value (step 3).

Remember the following when specifying the DO operation:

- The index, increment, limit value, and indicators can be modified within the loop to affect the ending of the DO group.
- A DO group cannot span both detail and total calculations.

See “LEAVE (Leave a Do/For Group)” on page 664 and “ITER (Iterate)” on page 659 for information on how those operations affect a DO operation.

See “FOR (For)” on page 648 for information on performing iterative loops with **free-form expressions** for the initial, increment, and limit values.

For more information, see “Structured Programming Operations” on page 431.

```

*...1....+....2....+....3....+....4....+....5....+....6....+....7....+....
CL0N01Factor1+++++0pcode(E)+Factor2+++++Result+++++Len++D+HiLoEq....
*
* The DO group is processed 10 times when indicator 17 is on;
* it stops running when the index value in field X, the result
* field, is greater than the limit value (10) in factor 2. When
* the DO group stops running, control passes to the operation
* immediately following the ENDDO operation. Because factor 1
* in the DO operation is not specified, the starting value is 1.
* Because factor 2 of the ENDDO operation is not specified, the
* incrementing value is 1.
C
C 17 DO 10 X 3 0
C :
C ENDDO
*
* The DO group can be processed 10 times. The DO group stops
* running when the index value in field X is greater than
* the limit value (20) in factor 2, or if indicator 50 is not on
* when the ENDDO operation is encountered. When indicator 50
* is not on, the ENDDO operation is not processed; therefore,
* control passes to the operation following the ENDDO operation.
* The starting value of 2 is specified in factor 1 of the DO
* operation, and the incrementing value of 2 is specified in
* factor 2 of the ENDDO operation.
*
C 2 DO 20 X 3 0
C :
C :
C :
C 50 ENDDO 2

```

Figure 279. DO Operation

## DOU (Do Until)

### DOU (Do Until)

|                  |                                       |
|------------------|---------------------------------------|
| Free-Form Syntax | DOU{(MR)} <i>indicator-expression</i> |
|------------------|---------------------------------------|

| Code      | Factor 1 | Extended Factor 2    |
|-----------|----------|----------------------|
| DOU (M/R) |          | indicator-expression |

The DOU operation code precedes a group of operations which you want to execute at least once and possibly more than once. Its function is similar to that of the DOUxx operation code. An associated ENDDO statement marks the end of the group. It differs in that the logical condition is expressed by an indicator valued expression (*indicator-expression*). The operations controlled by the DOU operation are performed until the expression in *indicator-expression* is true. For information on how operation extenders M and R are used, see “Precision Rules for Numeric Operations” on page 448.

For fixed-format syntax, level and conditioning indicators are valid. Factor 1 must be blank. Extended factor 2 contains the expression to be evaluated.

For more information, see “Compare Operations” on page 408 or “Structured Programming Operations” on page 431.

```
*.1....+....2....+....3....+....4....+....5....+....6....+....7....+....
/FREE
// In this example, the do loop will be repeated until the F3
// is pressed.
dou *inkc;
 do_something();
enddo;

// The following do loop will be repeated until *In01 is on
// or until FIELD2 is greater than FIELD3
dou *in01 or (Field2 > Field3);
 do_something_else ();
enddo;

// The following loop will be repeated until X is greater than
// the number of elements in Array
dou X > %elem (Array);
 Total = Total + Array(x);
 X = X + 1;
enddo;
/END-FREE
```

Figure 280. DOU Operation

## DOUxx (Do Until)

|                  |                                            |
|------------------|--------------------------------------------|
| Free-Form Syntax | (not allowed - use the DOU operation code) |
|------------------|--------------------------------------------|

| Code  | Factor 1         | Factor 2         | Result Field | Indicators |  |  |
|-------|------------------|------------------|--------------|------------|--|--|
| DOUxx | <u>Comparand</u> | <u>Comparand</u> |              |            |  |  |

The DOUxx operation code precedes a group of operations which you want to execute at least once and possibly more than once. An associated ENDDO statement marks the end of the group. For further information on DO groups and the meaning of xx, see “Structured Programming Operations” on page 431.

Factor 1 and factor 2 must contain a literal, a named constant, a field name, a table name, an array element, a figurative constant, or a data structure name. Factor 1 and factor 2 must be the same data type.

On the DOUxx statement, you indicate a relationship xx. To specify a more complex condition, immediately follow the DOUxx statement with ANDxx or ORxx statements. The operations in the DOUxx group are processed once, and then the group is repeated until either:

- the relationship exists between factor 1 and factor 2
- the condition specified by a combined DOUxx, ANDxx, or ORxx operation exists

The group is always processed at least once even if the condition is true at the start of the group.

In addition to the DOUxx operation itself, the conditioning indicators on the DOUxx and ENDDO statements control the DOUxx group. The conditioning indicators on the DOUxx statement control whether or not the DOUxx operation begins. The conditioning indicators on the associated ENDDO statement can cause a DO loop to end prematurely.

The DOUxx operation follows these steps:

1. If the conditioning indicators on the DOUxx statement line are satisfied, the DOUxx operation is processed (step 2). If the indicators are not satisfied, control passes to the next operation that can be processed following the associated ENDDO statement (step 6).
2. The DOUxx operation is processed by passing control to the next operation that can be processed (step 3). The DOUxx operation does not compare factor 1 and factor 2 or test the specified condition at this point.
3. Each of the operations in the DO group is processed.
4. If the conditioning indicators on the ENDDO statement are not satisfied, control passes to the next calculation operation following the associated ENDDO statement (step 6). Otherwise, the ENDDO operation is processed (step 5).
5. The ENDDO operation is processed by comparing factor 1 and factor 2 of the DOUxx operation or testing the condition specified by a combined operation. If the relationship xx exists between factor 1 and factor 2 or the specified condition exists, the DO group is finished and control passes to the next calculation operation after the ENDDO statement (step 6). If the relationship xx does not exist between factor 1 and factor 2 or the specified condition does not exist, the operations in the DO group are repeated (step 3).

## DOUxx (Do Until)

- The statement after the ENDDO statement is processed when the conditioning indicators on the DOUxx or ENDDO statements are not satisfied (steps 1 or 4), or when the relationship xx between factor 1 and factor 2 or the specified condition exists at step 5.

See "LEAVE (Leave a Do/For Group)" on page 664 and "ITER (Iterate)" on page 659 for information on how those operations affect a DOUxx operation.

For more information, see "Compare Operations" on page 408 or "Structured Programming Operations" on page 431.

```
*...1....+....2....+....3....+....4....+....5....+....6....+....7...+....
CL0N01Factor1+++++Opcode(E)+Factor2+++++Result+++++Len++D+HiLoEq....
*
* The DOUEQ operation runs the operation within the DO group at
* least once.
C
C FLDA DOUEQ FLDB
C
*
* At the ENDDO operation, a test is processed to determine whether
* FLDA is equal to FLDB. If FLDA does not equal FLDB, the
* preceding operations are processed again. This loop continues
* processing until FLDA is equal to FLDB. When FLDA is equal to
* FLDB, the program branches to the operation immediately
* following the ENDDO operation.
C
C SUB 1 FLDA
C ENDDO
C
*
* The combined DOUEQ ANDEQ OREQ operation processes the operation
* within the DO group at least once.
C
C FLDA DOUEQ FLDB
C FLDC ANDEQ FLDD
C FLDE OREQ 100
C
*
* At the ENDDO operation, a test is processed to determine whether
* the specified condition, FLDA equal to FLDB and FLDC equal to
* FLDD, exists. If the condition exists, the program branches to
* the operation immediately following the ENDDO operation. There
* is no need to test the OREQ condition, FLDE equal to 100, if the
* DOUEQ and ANDEQ conditions are met. If the specified condition
* does not exist, the OREQ condition is tested. If the OREQ
* condition is met, the program branches to the operation
* immediately following the ENDDO. Otherwise, the operations
* following the OREQ operation are processed and then the program
* processes the conditional tests starting at the second DOUEQ
* operation. If neither the DOUEQ and ANDEQ condition nor the
* OREQ condition is met, the operations following the OREQ
* operation are processed again.
C
C SUB 1 FLDA
C ADD 1 FLDC
C ADD 5 FLDE
C ENDDO
```

Figure 281. DOUxx Operations



## DOW (Do While)

|                  |                                       |
|------------------|---------------------------------------|
| Free-Form Syntax | DOW{(MR)} <i>indicator-expression</i> |
|------------------|---------------------------------------|

| Code      | Factor 1 | Extended Factor 2    |
|-----------|----------|----------------------|
| DOW (M/R) |          | indicator-expression |

The DOW operation code precedes a group of operations which you want to process when a given condition exists. Its function is similar to that of the DOW<sub>xx</sub> operation code. An associated ENDDO statement marks the end of the group. It differs in that the logical condition is expressed by an indicator valued expression (*indicator-expression*). The operations controlled by the DOW operation are performed while the expression in *indicator-expression* is true. See Chapter 21, "Expressions," on page 439 for details on expressions. For information on how operation extenders M and R are used, see "Precision Rules for Numeric Operations" on page 448.

For fixed-format syntax, level and conditioning indicators are valid. Factor 1 must be blank. Factor 2 contains the expression to be evaluated.

For more information, see "Compare Operations" on page 408 or "Structured Programming Operations" on page 431.

```
*.1....+....2....+....3....+....4....+....5....+....6....+....7...+....
* In this example, the do loop will be repeated until the condition
* is false. That is when A > 5 or B+C are not equal to zero.

/FREE
 dow (a <= 5) and (b + c = 0);
 do_something (a:b:c);
 enddo;
/END-FREE
```

Figure 282. DOW Operation

## DOWxx (Do While)

---

### DOWxx (Do While)

|                  |                                            |
|------------------|--------------------------------------------|
| Free-Form Syntax | (not allowed - use the DOW operation code) |
|------------------|--------------------------------------------|

| Code  | Factor 1         | Factor 2         | Result Field | Indicators |  |  |
|-------|------------------|------------------|--------------|------------|--|--|
| DOWxx | <u>Comparand</u> | <u>Comparand</u> |              |            |  |  |

The DOWxx operation code precedes a group of operations which you want to process when a given condition exists. To specify a more complex condition, immediately follow the DOWxx statement with ANDxx or ORxx statements. An associated ENDDO statement marks the end of the group. For further information on DO groups and the meaning of xx, see “Structured Programming Operations” on page 431.

Factor 1 and factor 2 must contain a literal, a named constant, a figurative constant, a field name, a table name, an array element, or a data structure name. Factor 1 and factor 2 must be of the same data type. The comparison of factor 1 and factor 2 follows the same rules as those given for the compare operations. See “Compare Operations” on page 408.

In addition to the DOWxx operation itself, the conditioning indicators on the DOWxx and ENDDO statements control the DO group. The conditioning indicators on the DOWxx statement control whether or not the DOWxx operation is begun. The conditioning indicators on the associated ENDDO statement control whether the DOW group is repeated another time.

The DOWxx operation follows these steps:

1. If the conditioning indicators on the DOWxx statement line are satisfied, the DOWxx operation is processed (step 2). If the indicators are not satisfied, control passes to the next operation to be processed following the associated ENDDO statement (step 6).
2. The DOWxx operation is processed by comparing factor 1 and factor 2 or testing the condition specified by a combined DOWxx, ANDxx, or ORxx operation. If the relationship xx between factor 1 and factor 2 or the condition specified by a combined operation does not exist, the DO group is finished and control passes to the next calculation operation after the ENDDO statement (step 6). If the relationship xx between factor 1 and factor 2 or the condition specified by a combined operation exists, the operations in the DO group are repeated (step 3).
3. Each of the operations in the DO group is processed.
4. If the conditioning indicators on the ENDDO statement are not satisfied, control passes to the next operation to run following the associated ENDDO statement (step 6). Otherwise, the ENDDO operation is processed (step 5).
5. The ENDDO operation is processed by passing control to the DOWxx operation (step 2). (Note that the conditioning indicators on the DOWxx statement are not tested again at step 1.)
6. The statement after the ENDDO statement is processed when the conditioning indicators on the DOWxx or ENDDO statements are not satisfied (steps 1 or 4), or when the relationship xx between factor 1 and factor 2 of the specified condition does not exist at step 2.

See “LEAVE (Leave a Do/For Group)” on page 664 and “ITER (Iterate)” on page 659 for information on how those operations affect a DOWxx operation.

For more information, see “Compare Operations” on page 408 or “Structured Programming Operations” on page 431.

```

*...1....+....2....+....3....+....4....+....5....+....6....+....7....+....
CL0N01Factor1+++++Opcode(E)+Factor2+++++Result+++++Len++D+HiLoEq....
*
* The DOWLT operation allows the operation within the DO group
* to be processed only if FLDA is less than FLDB. If FLDA is
* not less than FLDB, the program branches to the operation
* immediately following the ENDDO operation. If FLDA is less
* than FLDB, the operation within the DO group is processed.
C
C FLDA DOWLT FLDB
C
*
* The ENDDO operation causes the program to branch to the first
* DOWLT operation where a test is made to determine whether FLDA
* is less than FLDB. This loop continues processing until FLDA
* is equal to or greater than FLDB; then the program branches
* to the operation immediately following the ENDDO operation.
C
C MULT 2.08 FLDA
C ENDDO
C
* In this example, multiple conditions are tested. The combined
* DOWLT ORLT operation allows the operation within the DO group
* to be processed only while FLDA is less than FLDB or FLDC. If
* neither specified condition exists, the program branches to
* the operation immediately following the ENDDO operation. If
* either of the specified conditions exists, the operation after
* the ORLT operation is processed.
C
C FLDA DOWLT FLDB
C FLDA ORLT FLDC
C
* The ENDDO operation causes the program to branch to the second
* DOWLT operation where a test determines whether specified
* conditions exist. This loop continues until FLDA is equal to
* or greater than FLDB and FLDC; then the program branches to the
* operation immediately following the ENDDO operation.
C
C MULT 2.08 FLDA
C ENDDO

```

Figure 283. DOWxx Operations

## DSPLY (Display Message)

---

### DSPLY (Display Message)

|                  |                                                |
|------------------|------------------------------------------------|
| Free-Form Syntax | DSPLY{(E)} {message {output-queue {response}}} |
|------------------|------------------------------------------------|

| Code      | Factor 1 | Factor 2     | Result Field | Indicators |    |   |
|-----------|----------|--------------|--------------|------------|----|---|
| DSPLY (E) | message  | output-queue | response     | -          | ER | - |

The DSPLY operation allows the program to communicate with the display workstation that requested the program. Either *message*, *response*, or both operands must be specified. The operation can display a message and accept a response.

The value in the *message* operand and possibly the *response* operand are used to create the message to be displayed. *message* can be a field name, a literal, a named constant, a table name, or an array element whose value is used to create the message to be displayed. Within free-form calculations, the message operand can be an expression, provided the expression is enclosed by parentheses. The *message* operand can also be \*M, followed by a message identifier that identifies the message to be retrieved from the message file, QUSERMSG. Use the OVRMSGF CL command to use a different message file. QUSERMSG must be in a library in the library list of the job receiving the message.

The message identifier must be 7 characters in length consisting 3 alphabetic characters and four numeric characters (for example, \*MUSR0001, this means message USR0001 is used).

If specified, the *output-queue* operand can be a character field, a literal, a named constant, a table name, or an array element whose value is the symbolic name of the object meant to receive the message and from which the optional response can be sent. Any queue name, except a program message queue name, can be the value contained in the *output-queue* operand. The queue must be declared to the operating system before it can be used during program execution. (For information on how to create a queue, see the *CL Programming*). There are two predefined queues:

| Queue   | Value                                                                                                                                                                                                   |
|---------|---------------------------------------------------------------------------------------------------------------------------------------------------------------------------------------------------------|
| QSYSOPR | The message is sent to the system operator. Note that the QSYSOPR message queue severity level must be zero (00) to enable the DSPLY operation to immediately display a message to the system operator. |
| *EXT    | The message is sent to the external message queue.                                                                                                                                                      |

**Note:** For a batch job, if no *output-queue* value is specified, the default is QSYSOPR. For an interactive job, the default value is \*EXT.

The *response* operand is optional. If it is specified, the response is placed in it. *response* can be a field name, a table name, or an array element in which the response is placed. If no data is entered, *response* is unchanged. To specify a response but no output queue in a free-form specification, specify ' ' for *output-queue*.

Fully qualified names may be specified as the Result-Field operand, and expressions are allowed as Factor 1 and Factor 2 operands, when coded in

free-form calculation specifications. However, if the operand is more complex than a fully qualified name, the expression must be enclosed in parentheses.

To handle DSPLY exceptions (program status code 333), either the operation code extender 'E' or an error indicator ER can be specified, but not both. The exception is handled by the specified method if an error occurs on the operation. For more information on error handling, see "Program Exception/Errors" on page 82.

When you specify the DSPLY operation *with no message identifier in the message operand*, the operation functions as follows:

- If the *message* operand is specified but the *response* operand is not, the contents of the *message* operand are displayed. The program does not wait for a response unless a display file with the parameter RSTDSP (\*NO) specified was used to display a format at the workstation. Then the program waits for the user to press Enter.
- If the *message* operand is not specified but the *response* operand is, the contents of the *response* operand are displayed and the program waits for the user to enter data for the response. The reply is placed in the *response* operand.
- When both *message* and *response* operands are specified,, their contents are combined and displayed. The program waits for the user to enter data for the response. The response is placed in the result field.
- If you request help on the message, you can find the type and attributes of the data that is expected and the number of unsuccessful attempts that have been made.

The maximum length of information that can be displayed is 52 bytes.

The format of the record written by the DSPLY operation with no message identifier specified by the *message* operand follows:

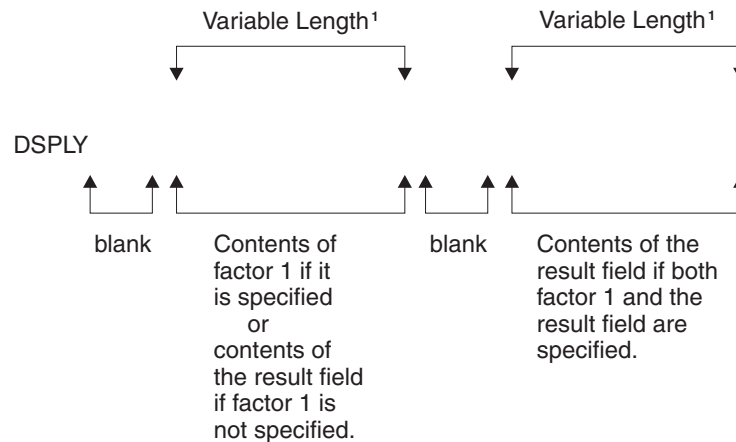


Figure 284. DSPLY Operation Record Format. <sup>1</sup>The maximum length of information that can be displayed is 52 bytes.

When you specify the DSPLY operation *with a message identifier in the message operand*, the operation functions as follows: the message identified in the *message* operand is retrieved from QUSERMSG, the message is displayed, and the program waits for the user to respond by entering data if the *response* operand is specified. The response is placed in the result field.

When replying to a message, remember the following:

## DSPLY (Display Message)

- Non-float numeric fields sent to the display are right-adjusted and zero-suppressed.
- If a non-float numeric field is entered with a length greater than the number of digits in the result field and the rightmost character is not a minus sign (-), an error is detected and a second wait occurs. The user must key in the field again.
- A float value is entered in the external display representation. It can be no longer than 14 characters for 4-byte float fields, and no longer than 23 characters for 8-byte float fields.
- If graphic, UCS-2, or character data is entered, the length must be equal or less than the receiving field length.
- If the result field is variable-length, its length will be set to the length of the value that you enter.
- If a date, time, or timestamp field is entered, the format and separator must match the format and separator of the result field. If the format or separator do not match, or the value is not valid (for example a date of 1999/99/99), an error is detected and a second wait occurs. The user must key in the field again.
- The DSPLY operation allows the workstation user up to 5 attempts to respond to the message. After the fifth unsuccessful attempt, the DSPLY operation fails. If the DSPLY operation does not have a message identifier specified in the *message* operand, the user can request help on the message to find the type and attributes of the expected response.
- To enter a null response to the system operator queue (QSYSOPR), the user must enter the characters \*N and then press Enter.
- Graphic, UCS-2, or character fields are padded on the right with blanks after all characters are entered.
- UCS-2 fields are displayed and entered as single-byte characters.
- Numeric fields are right-adjusted and padded on the left with zeros after all characters are entered.
- Lowercase characters are not converted to uppercase.
- If factor 1 or the result field is of graphic data type, they will be bracketed by SO/SI when displayed. The SO/SI will be stripped from the value to be assigned to the graphic result field on input.
- Float fields are displayed in the external display representation. Float values can be entered as numeric literals or float literals. When entering a response, the float value does not have to be normalized.

For more information, see “Message Operation” on page 422.

```
/free
// Display prompt and wait for response:
 dsply prompt ' result;
// Display string constructed in an expression:
 dsply ('Length of name is ' + %char(%len(str)) + ' bytes.');
```

Figure 285. DSPLY Operation Code Examples

---

## DUMP (Program Dump)

|                  |                                 |
|------------------|---------------------------------|
| Free-Form Syntax | DUMP{(A)} { <i>identifier</i> } |
|------------------|---------------------------------|

| Code     | Factor 1          | Factor 2 | Result Field | Indicators |  |  |
|----------|-------------------|----------|--------------|------------|--|--|
| DUMP (A) | <i>identifier</i> |          |              |            |  |  |

The DUMP operation provides a dump (all fields, all files, indicators, data structures, arrays, and tables defined) of the program. It can be used independently or in combination with the i5/OS testing and debugging functions. When the OPTIMIZE(\*FULL) compiler option is selected on either the CRTBNDRPG or CRTRPGMOD command or as a keyword on a control specification, the field values shown in the dump may not reflect the actual content due to the effects of optimization.

If the DBGVIEW(\*NONE) compiler option is specified, the dump will only show the program status data structure, the file information data structures, and the \*IN indicators. Other variables will not have their contents shown because the object does not contain the necessary observability information.

If the DEBUG(\*NO) control-specification keyword is specified, no dump is performed. You can override this keyword by specifying operation extender A. This operation extender means that a dump is always performed, regardless of the value of the DEBUG keyword.

The contents of the optional *identifier* operand identify the DUMP operation. It will replace the default heading on the dump listing if specified. It must contain a character or graphic entry that can be one of: a field name, literal, named constant, table name, or array element whose contents identify the dump. If the *identifier* operand is a graphic entry, it is limited to 64 double byte characters. *identifier* cannot be a figurative constant.

The program continues processing the next calculation statement following the DUMP operation.

The DUMP operation is performed if the DEBUG keyword is specified on the control specification, or the A operation extender is coded for the DUMP operation. Otherwise, the DUMP operation is checked for errors and the statement is printed on the listing, but the DUMP operation is not processed.

When dumping files, the DUMP will dump the File Feedback Information section of the INFDS, but not the Open Feedback Information or the Input/Output Feedback Information sections of the INFDS. DUMP will instead dump the actual Open Feedback, and Device Feedback Information for the file.

Note that if the INFDS you have declared is not large enough to contain the Open Feedback, or Input/Output Feedback Information, then you do not have to worry about doing a POST before DUMP since the File Feedback Information in the INFDS is always up to date.

The values of variables in subprocedures may not be valid if the subprocedure is not active. If a subprocedure has been called recursively, the values from the most recent invocation are shown.

## DUMP (Program Dump)

Java object variables may not show the expected value. The RPG module may retain the reference to an object after the object no longer exists; it is possible for an object reference to be reused, and refer to a different object that is unrelated to the RPG module being dumped. That different object is the one that will appear in the formatted dump.

For an sample dump listing, see the chapter on obtaining dumps in the *WebSphere Development Studio: ILE RPG Programmer's Guide*.

For more information, see "Information Operations" on page 419.



## ELSE (Else)

|                  |      |
|------------------|------|
| Free-Form Syntax | ELSE |
|------------------|------|

| Code | Factor 1 | Factor 2 | Result Field | Indicators |  |  |
|------|----------|----------|--------------|------------|--|--|
| ELSE |          |          |              |            |  |  |

The ELSE operation is an optional part of the IFxx and IF operations. If the IFxx comparison is met, the calculations before ELSE are processed; otherwise, the calculations after ELSE are processed.

Within total calculations, the control level entry (positions 7 and 8) can be blank or can contain an L1 through L9 indicator, an LR indicator, or an L0 entry to group the statement within the appropriate section of the program. The control level entry is for documentation purposes only. Conditioning indicator entries (positions 9 through 11) are not permitted. To close the IFxx/ELSE group use an ENDIF operation.

Figure 299 on page 656 shows an example of an ELSE operation with an IFxx operation.

For more information, see “Structured Programming Operations” on page 431.

## ELSEIF (Else If)

---

### ELSEIF (Else If)

|                  |                                          |
|------------------|------------------------------------------|
| Free-Form Syntax | ELSEIF{(MR)} <i>indicator-expression</i> |
|------------------|------------------------------------------|

| Code         | Factor 1 | Extended Factor 2    |
|--------------|----------|----------------------|
| ELSEIF (M/R) | Blank    | indicator-expression |

The ELSEIF operation is the combination of an ELSE operation and an IF operation. It avoids the need for an additional level of nesting.

The IF operation code allows a series of operation codes to be processed if a condition is met. Its function is similar to that of the IFxx operation code. It differs in that the logical condition is expressed by an indicator valued expression (*indicator-expression*). The operations controlled by the ELSEIF operation are performed when the expression in the *indicator-expression* operand is true (and the expression for the previous IF or ELSEIF statement was false).

For information on how operation extenders M and R are used, see “Precision Rules for Numeric Operations” on page 448.

For more information, see “Structured Programming Operations” on page 431.

```
*,.1....+.2....+.3....+.4....+.5....+.6....+.7....+.
/free

 IF keyPressed = HELPKEY;
 displayHelp();
 ELSEIF keyPressed = EXITKEY;
 return;
 ELSEIF keyPressed = ROLLUP OR keyPressed = ROLLDOWN;
 scroll (keyPressed);
 ELSE;
 signalError ('Key not defined');
 ENDIF;

/end-free
```

Figure 286. ELSEIF Operation

## ENDyy (End a Structured Group)

|                  |                                                                            |
|------------------|----------------------------------------------------------------------------|
| Free-Form Syntax | ENDDO<br>ENDFOR<br>ENDIF<br>ENDMON<br>ENDSL<br>(END and ENDCS not allowed) |
|------------------|----------------------------------------------------------------------------|

| Code   | Factor 1 | Factor 2        | Result Field | Indicators |  |  |
|--------|----------|-----------------|--------------|------------|--|--|
| END    |          | increment-value |              |            |  |  |
| ENDCS  |          |                 |              |            |  |  |
| ENDDO  |          | increment-value |              |            |  |  |
| ENDFOR |          |                 |              |            |  |  |
| ENDIF  |          |                 |              |            |  |  |
| ENDMON |          |                 |              |            |  |  |
| ENDSL  |          |                 |              |            |  |  |

The ENDyy operation ends a CASxx, DO, DOU, DOW, DOUxx, DOWxx, FOR, IF, IFxx, MONITOR, or SELECT group of operations.

The ENDyy operations are listed below:

- END**           End a CASxx, DO, DOU, DOUxx, DOW, DOWxx, FOR, IF, IFxx, or SELECT group
- ENDCS**       End a CASxx group
- ENDDO**       End a DO, DOU, DOUxx, DOW, or DOWxx group
- ENDFOR**      End a FOR group
- ENDIF**        End an IF or IFxx group
- ENDMON**      End a MONITOR group
- ENDSL**        End a SELECT group

The *increment-value* operand is allowed only on an ENDyy operation that delimits a DO group. It contains the incrementing value of the DO group. It can be positive or negative, must have zero decimal positions, and can be one of: an array element, table name, data structure, field, named constant, or numeric literal. If *increment-value* is not specified on the ENDDO, the increment defaults to 1. If *increment-value* is negative, the DO group will never end.

Conditioning indicators are optional for ENDDO or ENDFOR and not allowed for ENDCS, ENDIF, ENDMON, and ENDSL.

Resulting indicators are not allowed. No operands are allowed for ENDCS, ENDIF, ENDMON, and ENDSL.

If one ENDyy form is used with a different operation group (for example, ENDIF with a structured group), an error results at compilation time.

See the CASxx, DO, DOUxx, DOWxx, FOR, IFxx, and DOU, DOW, IF, MONITOR, and SELECT operations for examples that use the ENDyy operation.

## **ENDyy (End a Structured Group)**

For more information, see “Error-Handling Operations” on page 415 or “Structured Programming Operations” on page 431.

---

## ENDSR (End of Subroutine)

|                  |                               |
|------------------|-------------------------------|
| Free-Form Syntax | ENDSR { <i>return-point</i> } |
|------------------|-------------------------------|

| Code  | Factor 1 | Factor 2     | Result Field | Indicators |  |  |
|-------|----------|--------------|--------------|------------|--|--|
| ENDSR | label    | return-point |              |            |  |  |

The ENDSR operation defines the end of an RPG IV subroutine and the return point (*return-point*) to the main program. ENDSR must be the last statement in the subroutine. In traditional syntax, the *label* operand can be specified as a point to which a GOTO operation within the subroutine can branch. (You cannot specify a *label* in free-form syntax.) The control level entry (positions 7 and 8) can be SR or blank. Conditioning indicator entries are not allowed.

The ENDSR operation ends a subroutine and causes a branch back to the statement immediately following the EXSR or CASxx operation unless the subroutine is a program exception/error subroutine (\*PSSR) or a file exception/error subroutine (INFSR). For these subroutines, the *return-point* operand of the ENDSR operation can contain an entry that specifies where control is to be returned following processing of the subroutine. This entry can be a field name that contains a reserved keyword or a literal or named constant that is a reserved keyword. If a return point that is not valid is specified, the RPG IV error handler receives control.

**Note:** The *return-point* operand cannot be specified for an ENDSR operation that occurs within a subprocedure.

See “File Exception/Error Subroutine (INFSR)” on page 79 for more detail on return points.

See Figure 163 on page 436 for an example of coding an RPG IV subroutine.

For more information, see “Subroutine Operations” on page 434.

## EVAL (Evaluate expression)

|                  |                                     |
|------------------|-------------------------------------|
| Free-Form Syntax | {EVAL{(HMR)}} result = expression   |
|                  | {EVAL{(HMR)}} result += expression  |
|                  | {EVAL{(HMR)}} result -= expression  |
|                  | {EVAL{(HMR)}} result *= expression  |
|                  | {EVAL{(HMR)}} result /= expression  |
|                  | {EVAL{(HMR)}} result **= expression |

| Code         | Factor 1 | Extended Factor 2    |
|--------------|----------|----------------------|
| EVAL (H M/R) |          | Assignment Statement |

The EVAL operation code evaluates an assignment statement of the form "result = expression" or "result op = expression". The expression is evaluated and the result placed in **result**. Therefore, **result** cannot be a literal or constant but must be a field name, array name, array element, data structure, data structure subfield, or a string using the %SUBST built-in function.

The expression may yield any of the RPG data types. The type of the expression must be the same as the type of the result. A character, graphic, or UCS-2 result will be left justified and padded with blanks on the right or truncated as required. If **result** is a variable-length field, its length will be set to the length of the result of the expression.

If the result represents an unindexed array or an array specified as array(\*), the value of the expression is assigned to each element of the result, according to the rules described in "Specifying an Array in Calculations" on page 162. Otherwise, the expression is evaluated once and the value is placed into each element of the array or sub-array. For numeric expressions, the half-adjust operation code extender is allowed. The rules for half adjusting are equivalent to those for the arithmetic operations.

| On a free-form calculation specification, the operation code name may be omitted  
 | if no extenders are needed, and if the variable does not have the same name as an  
 | operation code.

For the assignment operators +=, -=, \*=, /=, and \*\*=, the appropriate operation is applied to the result and the expression, and the result is assigned to the result. For example, statement X+=Y is roughly equivalent to X=X+Y. The difference between the two statements is that for these assignment operators, the result operand is evaluated only once. This difference is significant when the evaluation of the result operation involves a call to a subprocedure which has side-effects, for example:

```
warnings(getNextCustId(OVERDRAWN)) += 1;
```

See Chapter 21, "Expressions," on page 439 for general information on expressions. See "Precision Rules for Numeric Operations" on page 448 for information on precision rules for numeric expressions. This is especially important if the expression contains any divide operations, or if the EVAL uses any of the operation extenders.

```

*..1....+....2....+....3....+....4....+....5....+....6....+....7....+....
*
* Assume FIELD1 = 10
* FIELD2 = 9
* FIELD3 = 8
* FIELD4 = 7
* ARR is defined with DIM(10)
* *IN01 = *ON
* A = 'abcdefghijklmno' (define as 15 long)
* CHARFIELD1 = 'There' (define as 5 long)

/FREE
// The content of RESULT after the operation is 20
eval RESULT=FIELD1 + FIELD2+(FIELD3-FIELD4);
// The indicator *IN03 will be set to *ON
*IN03 = *IN01 OR (FIELD2 > FIELD3);
// Each element of array ARR will be assigned the value 72
ARR(*) = FIELD2 * FIELD3;
// After the operation, the content of A = 'Hello There '
A = 'Hello ' + CHARFIELD1;
// After the operation the content of A = 'HelloThere '
A = %TRIMR('Hello ') + %TRIML(CHARFIELD1);
// Date in assignment
ISODATE = DMYDATE;
// Relational expression
// After the operation the value of *IN03 = *ON
*IN03 = FIELD3 < FIELD2;
// Date in Relational expression
// After the operation, *IN05 will be set to *ON if Date1 represents
// a date that is later that the date in Date2
*IN05 = Date1 > Date2;
// After the EVAL the original value of A contains 'ab****ghijklmno'
%SUBST(A(3:4))= '****';
// After the EVAL PTR has the address of variable CHARFIELD1
PTR = %ADDR(CHARFIELD1);
// An example to show that the result of a logical expression is
// compatible with the character data type.
// The following EVAL statement consisting of 3 logical expressions
// whose results are concatenated using the '+' operator
// The resulting value of the character field RES is '010'
RES = (FIELD1<10) + *in01 + (field2 >= 17);
// An example of calling a user-defined function using EVAL.
// The procedure FormatDate converts a date field into a character
// string, and returns that string. In this EVAL statement, the
// field DateStrng1 is assigned the output of formatdate.
DateStrng1 = FormatDate(Date1);
// Subtract value in complex data structure.
cust(custno).account(acnum).balance -= purchase_amount;
// Add days and months to a date
DATE += %DAYS(12) + %MONTHS(3);
// Append characters to varying length character variable
line += '
';
/END-FREE

```

Figure 287. EVAL Operations

## EVALR (Evaluate expression, right adjust)

### EVALR (Evaluate expression, right adjust)

|                  |                                        |
|------------------|----------------------------------------|
| Free-Form Syntax | EVALR{(MR)} <i>result = expression</i> |
|------------------|----------------------------------------|

| Code        | Factor 1 | Extended Factor 2    |
|-------------|----------|----------------------|
| EVALR (M/R) |          | Assignment Statement |

The EVALR operation code evaluates an assignment statement of the form `result=expression`. The expression is evaluated and the result is placed right-adjusted in the result. Therefore, the result cannot be a literal or constant, but must be a fixed-length character, graphic, or UCS-2 field name, array name, array element, data structure, data structure subfield, or a string using the %SUBST built-in function. The type of the expression must be the same as the type of the result. The result will be right justified and padded with blanks on the left, or truncated on the left as required.

**Note:** Unlike the EVAL operation, the result of EVALR can only be of type character, graphic, or UCS-2. In addition, only fixed length result fields are allowed, although %SUBST can contain a variable length field if this built-in function forms the lefthand part of the expression.

If the result represents an unindexed array or an array specified as `array(*)`, the value of the expression is assigned to each element of the result, according to the rules described in “Specifying an Array in Calculations” on page 162. Otherwise, the expression is evaluated once and the value is placed into each element of the array or sub-array.

See Chapter 21, “Expressions,” on page 439 for general information on expressions. See “Precision Rules for Numeric Operations” on page 448 for information on precision rules for numeric expressions. This is especially important if the expression contains any divide operations, or if the EVALR uses any of the operation extenders.

```
*..1....+...2....+...3....+...4....+...5....+...6....+...7....+...
D*Name+++++++ETDsFrom+++To/L+++IDc.Keywords+++++++
D Name S 20A

/FREE
eval Name = 'Kurt Weill';
// Name is now 'Kurt Weill
evalr Name = 'Johann Strauss';
// Name is now ' Johann Strauss'
evalr %SUBST(Name:1:12) = 'Richard';
// Name is now ' Richard Strauss'
eval Name = 'Wolfgang Amadeus Mozart';
// Name is now 'Wolfgang Amadeus Moz'
evalr Name = 'Wolfgang Amadeus Mozart';
// Name is now 'fgang Amadeus Mozart'
/END-FREE
```

Figure 288. EVALR Operations

### EVAL-CORR (Assign corresponding subfields)

|                  |                                          |
|------------------|------------------------------------------|
| Free-Form Syntax | EVAL-CORR{(HMR)} <i>target = source;</i> |
|------------------|------------------------------------------|



## EVAL-CORR (Assign corresponding subfields)

| Code      | Factor 1 | Extended Factor 2      |
|-----------|----------|------------------------|
| EVAL-CORR |          | <i>target = source</i> |

The EVAL-CORR operation assigns data and null-indicators from the corresponding subfields of the source data structure to the subfields of the target data structure. The subfields that are assigned are the subfields that have the same name and compatible data type in both data structures. For example, if data structure DS1 has character subfields A, B, and C, and data structure DS2 has character subfields B, C, and D, statement

```
EVAL-CORR DS1 = DS2
```

will assign data from subfields DS2.B and DS2.C to DS1.B and DS1.C. Null-capable subfields in the target data structure that are affected by the EVAL-CORR operation will also have their null-indicators set from the null-indicator from the source data structure's subfield, or to \*OFF, if the source subfield is not null-capable.

If an operation code extender H is specified, the half-adjust function applies on all numeric assignments. Extenders for EVAL-CORR can be specified only in Free-form calculations.

If operation code extender M or R is specified, it applies to the arguments of any procedure call specified as part of the source or target expression. Extenders for EVAL-CORR can be specified only in Free-form calculations.

The *EVAL-CORR Summary section* in the compiler listing can be used to determine

- which subfields were selected to be affected by the EVAL-CORR operation
- for subfields not selected, the reason the subfield was not selected
- for subfields that are selected, any additional information about the subfields such as a difference in the dimension or null-capability of the subfields.

See the *WebSphere Development Studio: ILE RPG Programmer's Guide* for more information about the EVAL-CORR Summary section.

Remember the following when using the EVAL-CORR operation:

- Operation code EVAL-CORR may be coded either in free-form calculations or in fixed-form calculations. When coded in fixed-form calculations, the assignment expression is coded in the Extended Factor 2 entry, with the Factor 1 entry left blank.
- The source and target operands must both be data structure variables, including data structure subfields defined with LIKEDS or LIKEREC.
- The operands may be qualified or unqualified data structures. However, for the operation to be successful, at least one of the operands must be a qualified data structure; otherwise, it would not be possible for the two data structures to have any subfields with the same name.
- The subfields involved in the assignment are those that have the same name in both data structures and have data types that are compatible for assignment using EVAL.
- When comparing the subfield names to find corresponding subfields, the names used are the internal program names; the internal program names may be different from the external names in the case of fields from externally-described

## EVAL-CORR (Assign corresponding subfields)

files or data structures. For fields defined externally and renamed or prefixed, the name used is the name after applying the rename or prefix.

- For subfields in the source and target that correspond by name and are both data structures defined with LIKEDS or LIKEREK, the subfields that are assigned are the corresponding subfields of the subfield data structures. If two subfields in the source and target have the same name but one is a data structure defined with LIKEDS or LIKEREK, and the other is not a data structure, the subfield is not assigned by the EVAL-CORR operation.
- The assignment of data from the source subfields to the target subfields follows the same rules as for operation code EVAL. For example, character values are assigned left adjusted with truncation or padding with blanks for unequal lengths.
- Data is assigned subfield by subfield by the order of subfields in the source data structure. If there are overlapping subfields in the target data structure, either due to overlapping from-and-to positions or due to the OVERLAY keyword, later assignment may overwrite earlier moves.
- When the source and target data structures or corresponding source and target subfields which are both data structures are defined the same way with LIKEDS or LIKEREK, that is, both data structures are defined like the same data structure, the compiler will optimize the assignment and assign the data structure as a whole, and not as a series of individual subfield assignments.
- If either the source or target operand is a multiple occurrence data structure, the current occurrence is used.
- If you are working with arrays:
  - If the source operand is an unindexed array data structure, the target data structure must also be an array data structure.
  - If the target operand is an unindexed array data structure, the operation works on each element of the array data structure, following the same rules as EVAL with an array result. %SUBARR may be used to restrict the number of elements used in either the source or target data structure array.
  - If one subfield is an array, both subfields must be arrays. If the dimension of one array subfield is smaller than the other, only the smaller number of array elements is assigned. If the target subfield has more elements, the additional elements are unchanged by the EVAL-CORR operation.
- If you are working with null-capable subfields:
  - EVAL-CORR automatically handles assignment of null-indicators for null-capable subfields that are not data structure subfields.
    - If both the source and target subfields are null-capable, the source subfield's null-indicator is copied to the target subfield's null-indicator.
    - If the target subfield is null-capable and the source subfield is not null-capable, the target subfield's null-indicator is set to \*OFF.
    - If the source subfield is null-capable and the target subfield is not null-capable, the source subfield's null-indicator is ignored.
    - The EVAL-CORR operation sets the null-indicators for scalar and array subfields only. If a null-capable subfield is a data structure, its null-indicator will not be set by the EVAL-CORR operation; similarly, if the target data structure itself is null-capable, its null-indicator will not be set by the EVAL-CORR operation..
  - If the subfield is a data structure and a null-indicator is assigned to the data structure itself, the null-indicator is not affected by the EVAL-CORR operation.

## Examples of the EVAL-CORR operation

```

* Physical file EVALCORRPF
A R PFREC
A NAME 25A
A IDNO 10P 0
A CITY 20A
* Display file EVALCORRDF
A R DSPFREC
A NAME 25A 0 3 2'Name'
A CITY 20A B 4 2'City'
* RPG program
Fevalcorrpfuf e disk
Fevalcorrdfcf e workstn

D pf_ds e ds extname(evalcorrpf : *input)
D qualified
D pf_save_ds ds likeds(pf_ds)
D dspf_in_ds e ds extname(evalcorrdf : *input)
D qualified
D dspf_out_ds e ds extname(evalcorrdf : *output)
D qualified
/free
 read pfrec pf_ds;
 dow not %eof;
 // Assign all subfields with the same name and type
 // to the data structure for the write operation
 // to the display file (NAME and CITY)
 eval-corr dspf_out_ds = pf_ds;
 // Write and read the display file record format
 // (WRITE+READ is equivalent to EXFMT)
 write dspfrec dspf_out_ds;
 read dspfrec dspf_in_ds;
 // Save the original physical file record
 // and assign the display file subfields to the
 // physical file data structure. Then compare
 // the physical file data structure to the saved
 // version to see if any fields have changed.
 eval pf_save_ds = pf_ds;
 eval-corr pf_ds = dspf_in_ds;
 if pf_ds <> pf_save_ds;
 // Some of the fields have changed
 update pfrec pf_ds;
 endif;
 read pfrec pf_ds;
 enddo;
 *inlr = '1';

```

Figure 289. EVAL-CORR with externally-described data structure I/O

## EVAL-CORR (Assign corresponding subfields)

```
* The two data structures ds1 and ds2 have several
* subfields, some having the same names and
* compatible types:
* num - appears in both, has compatible type
* extra - appears only in ds1
* char - appears in both, has identical type
* other - appears only in ds1
* diff - appears in both, types are not compatible
* another - appears only in ds2
D ds1 ds qualified
D num 10i 0
D extra d
D char 20a
D otherfld 1a
D diff 5p 0
D ds2 ds qualified
D char 20a
D diff 5a
D another 5a
D num 15p 5

/free
// assign corresponding fields from DS1 to DS2
EVAL-CORR ds2 = ds1;
// this EVAL-CORR is equivalent to these EVAL operations
// between all the subfields which have the same name
// in both data structures and which have a compatible
// data type
// EVAL ds2.num = ds1.num;
// EVAL ds2.char = ds1.char;
// - Subfields "extra" and "another" are not affected
// because there is no subfield of the same name in
// the other data structure.
// - Subfield "diff" is not selected because the
// subfields do not a compatible type
```

Figure 290. EVAL-CORR between program-described data structures

## EVAL-CORR (Assign corresponding subfields)

```

* DDS for file EVALCORRN1
A R REC1
A FLD1 10A ALWNULL
A FLD2 10A ALWNULL
A FLD3 10A
A FLD4 10A
A FLD5 5P 0 ALWNULL
* DDS for file EVALCORRN2
A R REC2
A FLD1 10A ALWNULL
A FLD2 10A
A FLD3 10A ALWNULL
A FLD4 10A
A FLD5 5A ALWNULL
* In the following example, data structure "ds1"
* is defined from REC1 in file EVALCORRN1 and
* data structure "ds2" is defined from REC2 in
* file EVALCORRN2 above. The EVAL-CORR operation
* does the following:
* 1. DS2.FLD1 is assigned the value of DS1.FLD1
* and %NULLIND(DS2.FLD1) is assigned the value of
* %NULLIND(DS1.FLD1)
* 2. DS2.FLD2 is assigned the value of DS1.FLD2
* 3. DS2.FLD3 is assigned the value of DS1.FLD3
* and %NULLIND(DS2.FLD3) is assigned *OFF
* 4. DS2.FLD4 is assigned the value of DS1.FLD4
* The null-indicator for DS1.FLD2 is ignored because
* the target subfield DS2.FLD2 is not null-capable.
* DS2.FLD5 is ignored because DS1.FLD5 has a different
* data type, so the subfields do not correspond.
H ALWNULL(*USRCTL)
FEVALCORRN1IF E DISK
FEVALCORRN20 E DISK
D ds1 DS LIKERE (REC1:*INPUT)
D ds2 DS LIKERE (REC2:*OUTPUT)
C READ REC1 ds1
C EVAL-CORR ds2 = ds1
C WRITE REC2 ds2

```

Figure 291. EVAL-CORR with null-capable subfields

## EXCEPT (Calculation Time Output)

```

D ds0 ds qualified
D num 10i 0
D char 20a varying
* A data structure with a nested subfield data structure
D ds1 ds qualified
D a likeds(ds0)
D b likeds(ds0)
D char 20a varying
D otherfld 1a
* A data structure with a nested subfield data structure
D ds2 ds qualified
D char 20a
D another 5a
D b likeds(ds0)

/free
// assign corresponding fields from DS1 to DS2
EVAL-CORR ds2 = ds1;
// this EVAL-CORR is equivalent to these EVAL operations
// EVAL ds2.b.num = ds1.b.num;
// EVAL ds2.b.char = ds1.b.char;
// EVAL ds2.char = ds1.char;
// assign corresponding fields from DS1.A to DS0
EVAL-CORR(H) ds0 = ds1.a;
// this EVAL-CORR is equivalent to these EVAL operations
// EVAL(H) ds0.num = ds1.a.num;
// EVAL ds0.char = ds1.a.char;
// assign corresponding fields from DS1.A to DS2.B
EVAL-CORR ds2.b = ds1.a;
// this EVAL-CORR is equivalent to these EVAL operations
// EVAL ds2.b.num = ds1.a.num;
// EVAL ds2.b.char = ds1.a.char;

```

Figure 292. EVAL-CORR with nested subfield data structures

## EXCEPT (Calculation Time Output)

|                  |                               |
|------------------|-------------------------------|
| Free-Form Syntax | EXCEPT { <i>except-name</i> } |
|------------------|-------------------------------|

| Code   | Factor 1 | Factor 2    | Result Field | Indicators |  |  |
|--------|----------|-------------|--------------|------------|--|--|
| EXCEPT |          | except-name |              |            |  |  |

The EXCEPT operation allows one or more records to be written during either detail calculations or total calculations. See Figure 293 on page 641 for examples of the EXCEPT operation.

When specifying the EXCEPT operation remember:

- The exception records that are to be written during calculation time are indicated by an E in position 17 of the output specifications. An EXCEPT name, which is the same name as specified by the *except-name* operand of an EXCEPT operation, can be specified in positions 30 through 39 of the output specifications of the exception records.
- Only exception records, not heading, detail, or total records, can contain an EXCEPT name.
- When the EXCEPT operation with a name specified in the *except-name* operand is processed, only those exception records with the same EXCEPT name are checked and written if the conditioning indicators are satisfied.

## EXCEPT (Calculation Time Output)

- When no *except-name* is specified, only those exception records with no name in positions 30 through 39 of the output specifications are checked and written if the conditioning indicators are satisfied.
- If an exception record is conditioned by an overflow indicator on the output specification, the record is written only during the overflow portion of the RPG IV cycle or during fetch overflow. The record is not written at the time the EXCEPT operation is processed.
- If an exception output is specified to a format that contains no fields, the following occurs:
  - If an output file is specified, a record is written with default values.
  - If a record is locked, the system treats the operation as a request to unlock the record. This is the alternative form of requesting an unlock. The preferred method is with the UNLOCK operation.

For more information, see “File Operations” on page 416.

```

*...1....+....2....+....3....+....4....+....5....+....6....+....7....+....
CL0N01Factor1+++++Opcode(E)+Factor2+++++Result+++++Len++D+HiLoEq....
*
* When the EXCEPT operation with HDG specified in factor 2 is
* processed, all exception records with the EXCEPT name HDG are
* written. In this example, UDATE and PAGE would be printed
* and then the printer would space 2 lines.
* The second HDG record would print a line of dots and then the
* printer would space 3 lines.
*
C EXCEPT HDG
*
* When the EXCEPT operation with no entry in factor 2 is
* processed, all exception records that do not have an EXCEPT
* name specified in positions 30 through 39 are written if the
* conditioning indicators are satisfied. Any exception records
* without conditioning indicators and without an EXCEPT name
* are always written by an EXCEPT operation with no entry in
* factor 2. In this example, if indicator 10 is on, TITLE and
* AUTH would be printed and then the printer would space 1 line.
*
C EXCEPT
0*
OFilename++DF..N01N02N03Excnam+++B++A++Sb+Sa+.....
O.....N01N02N03Field+++++YB.End++PConstant/editword/DTformat++
O
O E 10 1
O TITLE
O AUTH
O E HDG 2
O UDATE
O PAGE
O E HDG 3
O
O
O E DETAIL 1
O AUTH
O VERSNO

```

Figure 293. EXCEPT Operation with/without Factor 2 Specified

## EXFMT (Write/Then Read Format)

---

### EXFMT (Write/Then Read Format)

|                  |                               |
|------------------|-------------------------------|
| Free-Form Syntax | EXFMT{(E)} <i>format-name</i> |
|------------------|-------------------------------|

| Code      | Factor 1 | Factor 2           | Result Field | Indicators |    |   |
|-----------|----------|--------------------|--------------|------------|----|---|
| EXFMT (E) |          | <u>format-name</u> |              | -          | ER | - |

The EXFMT operation is a combination of a WRITE followed by a READ to the same record format. EXFMT is valid only for a WORKSTN file defined as a full procedural (F in position 18 of the file description specifications) combined file (C in position 17 of the file description specifications) that is externally described (E in position 22 of the file description specifications)

The *format-name* operand must be the name of the record format to be written and then read.

To handle EXFMT exceptions (file status codes greater than 1000), either the operation code extender 'E' or an error indicator ER can be specified, but not both. When an error occurs, the read portion of the operation is not processed (record-identifying indicators and fields are not modified). For more information on error handling, see "File Exception/Errors" on page 65.

Positions 71, 72, 75, and 76 must be blank.

For the use of EXFMT with multiple device files, see the descriptions of the READ (by format name) and WRITE operations.

For more information, see "File Operations" on page 416.



```

*.1....+....2....+....3....+....4....+....5....+....6....+....7...+....
F*Filename++IPEASFRlen+LKlen+AIDevice+.Keywords+++++
*
* PROMTD is a WORKSTN file which prompts the user for an option.
* Based on what user enters, this program executes different
* subroutines to add, delete, or change a record.
*
FPROMTD CF E WORKSTN

/free
// If user enters F3 function key, indicator *IN03 is set
// on and the do while loop is exited.
dow not *in03;

 // EXFMT writes out the prompt to the screen and expects user to
 // enter an option. SCR1 is a record format name defined in the
 // WORKSTN file and OPT is a field defined in the record.
 exfmt SCR1;
 select;
 when opt = 'A';
 exsr AddRec;
 when opt = 'D';
 exsr DelRec;
 when opt = 'C';
 exsr ChgRec;
 endsl;
enddo;
 do_something ();
 do_more_stuff ();
/end-free

```

Figure 294. EXFMT Operation

## EXSR (Invoke Subroutine)

---

### EXSR (Invoke Subroutine)

|                  |                             |
|------------------|-----------------------------|
| Free-Form Syntax | EXSR <i>subroutine-name</i> |
|------------------|-----------------------------|

| Code | Factor 1 | Factor 2               | Result Field | Indicators |  |  |
|------|----------|------------------------|--------------|------------|--|--|
| EXSR |          | <u>subroutine-name</u> |              |            |  |  |

The EXSR operation causes the RPG IV subroutine named in the *subroutine-name* operand to be processed. The subroutine name must be a unique symbolic name and must appear as the *subroutine-name* operand of a BEGSR operation. The EXSR operation can appear anywhere in the calculation specifications. Whenever it appears, the subroutine that is named is processed. After operations in the subroutine are processed, the statement following the EXSR operation is processed, except when a GOTO within the subroutine is given to a label outside the subroutine or when the subroutine is an exception/error subroutine specified by the *return-point* operand of the ENDSR operation.

\*PSSR used in the *subroutine-name* operand specifies that the program exception/error subroutine is to be processed. \*INZSR used in the *subroutine-name* operand specifies that the program initialization subroutine is to be processed.

See “Coding Subroutines” on page 434, “Subroutine Operations” on page 434, or “Compare Operations” on page 408 for more information.

## EXTRCT (Extract Date/Time/Timestamp)

|                  |                                                  |
|------------------|--------------------------------------------------|
| Free-Form Syntax | (not allowed - use the %SUBDT built-in function) |
|------------------|--------------------------------------------------|

| Code       | Factor 1 | Factor 2                        | Result Field  | Indicators |    |   |
|------------|----------|---------------------------------|---------------|------------|----|---|
| EXTRCT (E) |          | <u>Date/Time: Duration Code</u> | <u>Target</u> | -          | ER | - |

The EXTRCT operation code will return one of:

- The year, month or day part of a date or timestamp field
- The hours, minutes or seconds part of a time or timestamp field
- The microseconds part of the timestamp field

to the field specified in the result field.

The Date, Time or Timestamp from which the information is required, is specified in factor 2, followed by the duration code. The entry specified in factor 2 can be a field, subfield, table element, or array element. The duration code must be consistent with the Data type of factor 2. See “Date Operations” on page 412 for valid duration codes.

Factor 1 must be blank.

The result field can be any numeric or character field, subfield, array/table element. The result field is cleared before the extracted data is assigned. For a character result field, the data is put left adjusted into the result field.

**Note:** When using the EXTRCT operation with a Julian Date (format \*JUL), specifying a duration code of \*D will return the day of the month, specifying \*M will return the month of the year. If you require the day and month to be in the 3-digit format, you can use a basing pointer to obtain it. See Figure 95 on page 205 for an example of obtaining the Julian format.

To handle EXTRCT exceptions (program status code 112), either the operation code extender 'E' or an error indicator ER can be specified, but not both. For more information on error handling, see “Program Exception/Errors” on page 82.

For more information, see “Date Operations” on page 412.

## EXTRCT (Extract Date/Time/Timestamp)

```

D LOGONDATE S D
D DATE_STR S 15
D MONTHS S 8 DIM(12) CTDATA
C*0N01Factor1+++++Opcode(E)+Factor2+++++Result+++++Len++D+HiLoEq....
* Move the job date to LOGONDATE. By default, LOGONDATE has an *ISO
* date format, which contains a 4-digit year. *DATE also contains a
* 4-digit year, but in a different format, *USA.
C *USA MOVE *DATE LOGONDATE
*
* Extract the month from a date field to a 2-digit field
* that is used as an index into a character array containing
* the names of the months. Then extract the day from the
* timestamp to a 2-byte character field which can be used in
* an EVAL concatenation expression to form a string.
* For example, if LOGONDATE is March 17, 1996, LOGMONTH will
* contain 03, LOGDAY will contain 17, and DATE_STR will contain
* 'March 17'.
C EXTRCT LOGONDATE:*M LOGMONTH 2 0
C EXTRCT LOGONDATE:*D LOGDAY 2
C EVAL DATE_STR = %TRIMR(MONTHS(LOGMONTH))
C + ' ' + LOGDAY
C SETON LR
** CTDATA MONTHS
January
February
March
April
May
June
July
August
September
October
November
December

```

Figure 295. EXTRCT Operation

---

## FEOD (Force End of Data)

|                  |                             |
|------------------|-----------------------------|
| Free-Form Syntax | FEOD{(EN)} <i>file-name</i> |
|------------------|-----------------------------|

| Code      | Factor 1 | Factor 2         | Result Field | Indicators |    |   |
|-----------|----------|------------------|--------------|------------|----|---|
| FEOD (EN) |          | <u>file-name</u> |              | -          | ER | - |

The FEOD operation signals the logical end of data for a primary, secondary, or full procedural file. The FEOD function differs, depending on the file type and device. (For an explanation of how FEOD differs per file type and device, see the iSeries Information Center database and file systems category).

FEOD differs from the CLOSE operation: the program is not disconnected from the device or file; the file can be used again for subsequent file operations without an explicit OPEN operation being specified to the file.

You can specify conditioning indicators. The *file-name* operand names the file to which FEOD is specified.

Operation extender N may be specified for an FEOD to an output-capable DISK or SEQ file that uses blocking (see “Blocking Considerations” on page 77). If operation extender N is specified, any unwritten records in the block will be written out to the database, but they will not necessarily be written to non-volatile storage. Using the N extender can improve performance.

To handle FEOD exceptions (file status codes greater than 1000), either the operation code extender 'E' or an error indicator ER can be specified, but not both. For more information on error handling, see “File Exception/Errors” on page 65.

To process any further sequential operations to the file after the FEOD operation (for example, READ or READP), you must reposition the file.

For more information, see “File Operations” on page 416.

## FOR (For)

---

### FOR (For)

|                  |                                                                                                        |
|------------------|--------------------------------------------------------------------------------------------------------|
| Free-Form Syntax | FOR{(MR)} <i>index-name</i> {= <i>start-value</i> } {BY <i>increment</i> } {TO   DOWNTO <i>limit</i> } |
|------------------|--------------------------------------------------------------------------------------------------------|

| Code | Factor 1 | Extended Factor 2                                              |
|------|----------|----------------------------------------------------------------|
| FOR  |          | <u>index-name</u> = start-value BY increment TO   DOWNTO limit |

The FOR operation begins a group of operations and controls the number of times the group will be processed. To indicate the number of times the group of operations is to be processed, specify an index name, a starting value, an increment value, and a limit value. The optional starting, increment, and limit values can be a free-form expressions. An associated END or ENDFOR statement marks the end of the group. For further information on FOR groups, see "Structured Programming Operations" on page 431.

The syntax of the FOR operation is as follows:

```
FOR index-name { = starting-value }
 { BY increment-value }
 { TO | DOWNTO limit-value }
 { loop body }
ENDFOR | END
```

The starting-value, increment-value, and limit-value can be numeric values or expressions with zero decimal positions. The increment value, if specified, cannot be zero.

The BY and TO (or DOWNTO) clauses can be specified in either order. Both "BY 2 TO 10" and "TO 10 BY 2" are allowed.

In addition to the FOR operation itself, the conditioning indicators on the FOR and ENDFOR (or END) statements control the FOR group. The conditioning indicators on the FOR statement control whether or not the FOR operation begins. These indicators are checked only once, at the beginning of the for loop. The conditioning indicators on the associated END or ENDFOR statement control whether or not the FOR group is repeated another time. These indicators are checked at the end of each loop.

The FOR operation is performed as follows:

1. If the conditioning indicators on the FOR statement line are satisfied, the FOR operation is processed (step 2). If the indicators are not satisfied, control passes to the next operation to be processed following the associated END or ENDFOR statement (step 8).
2. If specified, the initial value is assigned to the index name. Otherwise, the index name retains the same value it had before the start of the loop.
3. If specified, the limit value is evaluated and compared to the index name. If no limit value is specified, the loop repeats indefinitely until it encounters a statement that exits the loop (such as a LEAVE or GOTO) or that ends the program or procedure (such as a RETURN).

If the TO clause is specified and the index name value is greater than the limit value, control passes to the first statement following the ENDFOR statement. If DOWNTO is specified and the index name is less than the limit value, control passes to the first statement after the ENDFOR.

4. The operations in the FOR group are processed.

5. If the conditioning indicators on the END or ENDFOR statement are not satisfied, control passes to the statement after the associated END or ENDFOR and the loop ends.
6. If the increment value is specified, it is evaluated. Otherwise, it defaults to 1.
7. The increment value is either added to (for TO) or subtracted from (for DOWNTO) the index name. Control passes to step 3. (Note that the conditioning indicators on the FOR statement are not tested again (step 1) when control passes to step 3.)
8. The statement after the END or ENDFOR statement is processed when the conditioning indicators on the FOR, END, or ENDFOR statements are not satisfied (step 1 or 5), or when the index value is greater than (for TO) or less than (for DOWNTO) the limit value (step 3), or when the index value overflows.

**Note:** If the FOR loop is performed  $n$  times, the limit value is evaluated  $n+1$  times and the increment value is evaluated  $n$  times. This can be important if the limit value or increment value is complex and time-consuming to evaluate, or if the limit value or increment value contains calls to subprocedures with side-effects. If multiple evaluation of the limit or increment is not desired, calculate the values in temporaries before the FOR loop and use the temporaries in the FOR loop.

Remember the following when specifying the FOR operation:

- The index name cannot be declared on the FOR operation. Variables should be declared in the Definition specifications.
- The *index-name* can be any fully-qualified name, including an indexed array element.

See “LEAVE (Leave a Do/For Group)” on page 664 and “ITER (Iterate)” on page 659 for information on how those operations affect a FOR operation.

For more information, see “Structured Programming Operations” on page 431.

## FOR (For)

```
*..1....+....2....+....3....+....4....+....5....+....6....+....7....+....
/free
 // Example 1
 // Compute n!

 factorial = 1;
 for i = 1 to n;
 factorial = factorial * i;
 endfor;

 // Example 2
 // Search for the last nonblank character in a field.
 // If the field is all blanks, "i" will be zero.
 // Otherwise, "i" will be the position of nonblank.

 for i = %len (field) downto 1;
 if %subst(field: i: 1) <> ' '
 leave;
 endif;
 endfor;

 // Example 3
 // Extract all blank-delimited words from a sentence.

 WordCnt = 0;
 for i = 1 by WordIncr to %len (Sentence);
 // Is there a blank?
 if %subst(Sentence: i: 1) = ' '
 WordIncr = 1;
 iter;
 endif;

 // We've found a word - determine its length:
 for j = i+1 to %len(Sentence);
 if %subst (Sentence: j: 1) = ' '
 leave;
 endif;
 endfor;

 // Store the word:
 WordIncr = j - i;
 WordCnt = WordCnt + 1;
 Word (WordCnt) = %subst (Sentence: i: WordIncr);
 endfor;

/end-free
```

Figure 296. Examples of the FOR Operation



## FORCE (Force a Certain File to Be Read Next Cycle)

|                  |                        |
|------------------|------------------------|
| Free-Form Syntax | FORCE <i>file-name</i> |
|------------------|------------------------|

| Code  | Factor 1 | Factor 2         | Result Field | Indicators |  |  |
|-------|----------|------------------|--------------|------------|--|--|
| FORCE |          | <u>file-name</u> |              |            |  |  |

The FORCE operation allows selection of the file from which the next record is to be read. It can be used only for primary or secondary files.

The *file-name* operand must be the name of a file from which the next record is to be selected.

If the FORCE operation is processed, the record is read at the start of the next program cycle. If more than one FORCE operation is processed during the same program cycle, all but the last is ignored. FORCE must be issued at *detail* time, not total time.

FORCE operations override the multi-file processing method by which the program normally selects records. However, the first record to be processed is always selected by the normal method. The remaining records can be selected by FORCE operations. For information on how the FORCE operation affects match-field processing, see Figure 6 on page 23.

If FORCE is specified for a file that is at end of file, no record is retrieved from the file. The program cycle determines the next record to be read.

For more information, see "File Operations" on page 416.

## GOTO (Go To)

---

### GOTO (Go To)

|                  |                                                                                     |
|------------------|-------------------------------------------------------------------------------------|
| Free-Form Syntax | (not allowed - use other operation codes, such as LEAVE, LEAVESR, ITER, and RETURN) |
|------------------|-------------------------------------------------------------------------------------|

| Code | Factor 1 | Factor 2     | Result Field | Indicators |  |  |
|------|----------|--------------|--------------|------------|--|--|
| GOTO |          | <u>Label</u> |              |            |  |  |

The GOTO operation allows calculation operations to be skipped by instructing the program to go to (or branch to) another calculation operation in the program. A "TAG (Tag)" on page 780 operation names the destination of a GOTO operation. The TAG can either precede or follow the GOTO. Use a GOTO operation to specify a branch:

- From a detail calculation line to another detail calculation line
- From a total calculation line to another total calculation line
- From a detail calculation line to a total calculation line
- From a subroutine to a TAG or ENDSR within the same subroutine
- From a subroutine to a detail calculation line or to a total calculation line.

A GOTO within a subroutine in the main procedure can be issued to a TAG within the same subroutine, detail calculations or total calculations. A GOTO within a subroutine in a subprocedure can be issued to a TAG within the same subroutine, or within the body of the subprocedure.

Branching from one part of the RPG IV logic cycle to another may result in an endless loop. You are responsible for ensuring that the logic of your program does not produce undesirable results.

Factor 2 must contain the label to which the program is to branch. This label is entered in factor 1 of a TAG or ENDSR operation. The label must be a unique symbolic name.

For more information, see "Branching Operations" on page 403.

```

*...1....+....2....+....3....+....4....+....5....+....6....+....7...+....
CL0N01Factor1+++++Opcode(E)+Factor2+++++Result+++++Len++D+HiLoEq....
*
* If indicator 10, 15, or 20 is on, the program branches to
* the TAG label specified in the GOTO operations.
* A branch within detail calculations.
C 10 GOTO RTN1
*
* A branch from detail to total calculations.
C 15 GOTO RTN2
*
C RTN1 TAG
*
C :
C :
C:
C 20 GOTO END
*
C :
C :
C :
C END TAG
* A branch within total calculations.
CL1 GOTO RTN2
CL1 :
CL1 RTN2 TAG

```

Figure 297. GOTO and TAG Operations

## IF (If)

### IF (If)

|                  |                                      |
|------------------|--------------------------------------|
| Free-Form Syntax | IF{(MR)} <i>indicator-expression</i> |
|------------------|--------------------------------------|

| Code     | Factor 1 | Extended Factor 2    |
|----------|----------|----------------------|
| IF (M/R) | Blank    | indicator-expression |

The IF operation code allows a series of operation codes to be processed if a condition is met. Its function is similar to that of the IFxx operation code. It differs in that the logical condition is expressed by an indicator valued expression (*indicator-expression*). The operations controlled by the IF operation are performed when the expression in the *indicator-expression* operand is true. For information on how operation extenders M and R are used, see "Precision Rules for Numeric Operations" on page 448.

For more information, see "Structured Programming Operations" on page 431.

```
CL0N01Factor1+++++0opcode(E)+Extended-factor2+++++.....
C Extended-factor2-continuation+++++
* The operations controlled by the IF operation are performed
* when the expression is true. That is A is greater than 10 and
* indicator 20 is on.
C
C IF A>10 AND *IN(20)
C :
C ENDIF
*
* The operations controlled by the IF operation are performed
* when Date1 represents a later date then Date2
C
C IF Date1 > Date2
C :
C ENDIF
*
```

Figure 298. IF Operation

## IFxx (If)

|                  |                                           |
|------------------|-------------------------------------------|
| Free-Form Syntax | (not allowed - use the IF operation code) |
|------------------|-------------------------------------------|

| Code | Factor 1         | Factor 2         | Result Field | Indicators |  |  |
|------|------------------|------------------|--------------|------------|--|--|
| IFxx | <u>Comparand</u> | <u>Comparand</u> |              |            |  |  |

The IFxx operation allows a group of calculations to be processed if a certain relationship, specified by xx, exists between factor 1 and factor 2. When “ANDxx (And)” on page 569 and “ORxx (Or)” on page 717 operations are used with IFxx, the group of calculations is performed if the condition specified by the combined operations exists. (For the meaning of xx, see “Structured Programming Operations” on page 431.)

You can use conditioning indicators. Factor 1 and factor 2 must contain a literal, a named constant, a figurative constant, a table name, an array element, a data structure name, or a field name. Both the factor 1 and factor 2 entries must be of the same data type.

If the relationship specified by the IFxx and any associated ANDxx or ORxx operations does not exist, control passes to the calculation operation immediately following the associated ENDIF operation. If an “ELSE (Else)” on page 627 operation is specified as well, control passes to the first calculation operation that can be processed following the ELSE operation.

Conditioning indicator entries on the ENDIF operation associated with IFxx must be blank.

An ENDIF statement must be used to close an IFxx group. If an IFxx statement is followed by an ELSE statement, an ENDIF statement is required after the ELSE statement but not after the IFxx statement.

You have the option of indenting DO statements, IF-ELSE clauses, and SELECT-WHENxx-OTHER clauses in the compiler listing for readability. See the section on compiler listings in the *WebSphere Development Studio: ILE RPG Programmer's Guide* for an explanation of how to indent statements in the source listing.

For more information, see “Compare Operations” on page 408 or “Structured Programming Operations” on page 431.

## IFxx (If)

```
*...1....+....2....+....3....+....4....+....5....+....6....+....7....+....
CL0N01Factor1+++++Opcode(E)+Factor2+++++Result+++++Len++D+HiLoEq....
*
* If FLDA equals FLDB, the calculation after the IFEQ operation
* is processed. If FLDA does not equal FLDB, the program
* branches to the operation immediately following the ENDIF.
C
C FLDA IFEQ FLDB
C :
C :
C :
C ENDIF
C
* If FLDA equals FLDB, the calculation after the IFEQ operation
* is processed and control passes to the operation immediately
* following the ENDIF statement. If FLDA does not equal FLDB,
* control passes to the ELSE statement and the calculation
* immediately following is processed.
C
C FLDA IFEQ FLDB
C :
C :
C :
C ELSE
C :
C :
C :
C ENDIF
C
*...1....+....2....+....3....+....4....+....5....+....6....+....7....+....
CL0N01Factor1+++++Opcode(E)+Factor2+++++Result+++++Len++D+HiLoEq....
*
* If FLDA is equal to FLDB and greater than FLDC, or if FLDD
* is equal to FLDE and greater than FLDF, the calculation
* after the ANDGT operation is processed. If neither of the
* specified conditions exists, the program branches to the
* operation immediately following the ENDIF statement.
C
C FLDA IFEQ FLDB
C FLDA ANDGT FLDC
C FLDD OREQ FLDE
C FLDD ANDGT FLDF
C :
C :
C :
C ENDIF
C
```

Figure 299. IFxx/ENDIF and IFxx/ELSE/ENDIF Operations

## IN (Retrieve a Data Area)

|                  |                                       |
|------------------|---------------------------------------|
| Free-Form Syntax | IN{(E)} {*LOCK} <i>data-area-name</i> |
|------------------|---------------------------------------|

| Code   | Factor 1 | Factor 2                     | Result Field | Indicators |    |   |
|--------|----------|------------------------------|--------------|------------|----|---|
| IN (E) | *LOCK    | <u><i>data-area-name</i></u> |              | –          | ER | – |

The IN operation retrieves a data area and optionally allows you to specify whether the data area is to be locked from update by another program. For a data area to be retrieved by the IN operation, it must be specified in the result field of an \*DTAARA DEFINE statement or using the DTAARA keyword on the Definition specification. (See “DEFINE (Field Definition)” on page 607 for information on \*DTAARA DEFINE operation and the Definition Specification for information on the DTAARA keyword).

If name of the data area is determined at runtime because DTAARA(\*VAR) was specified on the definition of the field, then the variable containing the name of the data area must be set before the IN operation. However, if the data area is already locked due to a prior \*LOCK IN operation, the variable containing the name will not be consulted; instead, the previously locked data area will be used.

The reserved word \*LOCK can be specified in Factor 1 to indicate that the data area cannot be updated or locked by another program until (1) an UNLOCK operation is processed, (2) an OUT operation with no *data-area-name* operand specified, or (3) the RPG IV program implicitly unlocks the data area when the program ends

\*LOCK cannot be specified when the *data-area-name* operand is the name of the local data area or the Program Initialization Parameters (PIP) data area.

You can specify a \*LOCK IN statement for a data area that the program has locked. When *data-area-name* is not specified, the lock status is the same as it was before the data area was retrieved: If it was locked, it remains locked; if unlocked, it remains unlocked.

*data-area-name* must be the name of a definition defined with the DTAARA keyword, the result field of a \*DTAARA DEFINE operation, or the reserved word \*DTAARA.. When \*DTAARA is specified, all data areas defined in the program are retrieved. If an error occurs on the retrieval of a data area (for example, a data area can be retrieved but cannot be locked), an error occurs on the IN operation and the RPG IV exception/error handling routine receives control. If a message is issued to the requester, the message identifies the data area in error.

To handle IN exceptions (program status codes 401-421, 431, or 432), either the operation code extender 'E' or an error indicator ER can be specified, but not both. For more information on error handling, see “Program Exception/Errors” on page 82.

On a fixed-form calculation, positions 71-72 and 75-76 must be blank.

For further rules for the IN operation, see “Data-Area Operations” on page 411.

## IN (Retrieve a Data Area)

```
*..1....+....2....+....3....+....4....+....5....+....6....+....7...+....
* Define Data areas
D TotAmt s 8p 2 dtaara
D TotGrS s 10p 2 dtaara
D TotNet s 10p 2 dtaara

* TOTAMT, TOTGRS, and TOTNET are defined as data areas. The IN
* operation retrieves all the data areas defined in the program
* and locks them. The program processes calculations, and at
* LR time it writes and unlocks all the data areas.
* The data areas can then be used by other programs.

/free

 in *lock *dtaara;
 TotAmt = TotAmt + Amount;
 TotGrS = TotGrS + Gross;
 TotNet = TotNet + Net;

/end-free
* To start total calcs, code a fixed format calc statement with a
* level entry specified.
CL0 total_calcs tag
/free

 if *inlr
 out *dtaara
 endif
/end-free
```

Figure 300. IN and OUT Operations



---

**ITER (Iterate)**

|                  |      |
|------------------|------|
| Free-Form Syntax | ITER |
|------------------|------|

| Code | Factor 1 | Factor 2 | Result Field | Indicators |  |  |
|------|----------|----------|--------------|------------|--|--|
| ITER |          |          |              |            |  |  |

The ITER operation transfers control from within a DO or FOR group to the ENDDO or ENDFOR statement of the group. It can be used in DO, DOU, DOUxx, DOW, DOWxx, and FOR loops to transfer control immediately to a loop's ENDDO or ENDFOR statement. It causes the next iteration of the loop to be executed immediately. ITER affects the innermost loop.

If conditioning indicators are present on the ENDDO or ENDFOR statement to which control is passed, and the condition is not satisfied, processing continues with the statement following the ENDDO or ENDFOR operation.

The "LEAVE (Leave a Do/For Group)" on page 664 operation is similar to the ITER operation; however, LEAVE transfers control to the statement *following* the ENDDO or ENDFOR operation.

For more information, see "Branching Operations" on page 403 or "Structured Programming Operations" on page 431.

## ITER (Iterate)

```

*...1....+....2....+....3....+....4....+....5....+....6....+....7....+....
CL0N01Factor1+++++Opcode(E)+Factor2+++++Result+++++Len++D+HiLoEq....
*
* The following example uses a DOU loop containing a DOW loop.
* The IF statement checks indicator 01. If indicator 01 is ON,
* the LEAVE operation is executed, transferring control out of
* the innermost DOW loop to the Z-ADD instruction. If indicator
* 01 is not ON, subroutine PROC1 is processed. Then indicator
* 12 is checked. If it is OFF, ITER transfers control to the
* innermost ENDDO and the condition on the DOW is evaluated
* again. If indicator 12 is ON, subroutine PROC2 is processed.
C
C DOU FLDA = FLDB
C :
C :
C NUM DOWLT 10
C IF *IN01
C LEAVE
C ENDF
C EXSR PROC1
C *IN12 IFEQ *OFF
C ITER
C ENDF
C EXSR PROC2
C ENDDO
C Z-ADD 20 RSLT 2 0
C :
C ENDDO
C :
*...1....+....2....+....3....+....4....+....5....+....6....+....7....+....
CL0N01Factor1+++++Opcode(E)+Factor2+++++Result+++++Len++D+HiLoEq....
*
* The following example uses a DOU loop containing a DOW loop.
* The IF statement checks indicator 1. If indicator 1 is ON, the
* MOVE operation is executed, followed by the LEAVE operation,
* transferring control from the innermost DOW loop to the Z-ADD
* instruction. If indicator 1 is not ON, ITER transfers control
* to the innermost ENDDO and the condition on the DOW is
* evaluated again.
C :
C FLDA DOUEQ FLDB
C :
C :
C NUM DOWLT 10
C *IN01 IFEQ *ON
C MOVE 'UPDATE' FIELD 20
C LEAVE
C ELSE
C ITER
C ENDF
C ENDDO
C Z-ADD 20 RSLT 2 0
C :
C ENDDO
C :

```

Figure 301. ITER Operation

---

## KFLD (Define Parts of a Key)

|                  |                          |
|------------------|--------------------------|
| Free-Form Syntax | (not allowed - use %KDS) |
|------------------|--------------------------|

| Code | Factor 1 | Factor 2  | Result Field     | Indicators |  |  |
|------|----------|-----------|------------------|------------|--|--|
| KFLD |          | Indicator | <u>Key field</u> |            |  |  |

The KFLD operation is a declarative operation that indicates that a field is part of a search argument identified by a KLIST name.

The KFLD operation can be specified anywhere within calculations, including total calculations. The control level entry (positions 7 and 8) can be blank or can contain an L1 through L9 indicator, an LR indicator, or an L0 entry to group the statement within the appropriate section of the program. Conditioning indicator entries (positions 9 through 11) are not permitted.

KFLDs can be global or local. A KLIST in a main procedure can have only global KFLDs associated with it. A KLIST in a subprocedure can have local and global KFLDs. For more information, see “Scope of Definitions” on page 96.

Factor 2 can contain an indicator for a null-capable key field if ALWNULL(\*USRCTL) is specified as a keyword on a control specification or as a command parameter.

If the indicator is on, the key fields with null values are selected. If the indicator is off or not specified, the key fields with null values are not selected. See “Keyed Operations” on page 213 for information on how to access null-capable keys.

The result field must contain the name of a field that is to be part of the search argument. The result field cannot contain an array name. Each KFLD field must agree in length, data type, and decimal position with the corresponding field in the composite key of the record or file. However, if the record has a variable-length KFLD field, the corresponding field in the composite key must be varying but does not need to be the same length. Each KFLD field need not have the same name as the corresponding field in the composite key. The order the KFLD fields are specified in the KLIST determines which KFLD is associated with a particular field in the composite key. For example, the first KFLD field following a KLIST operation is associated with the leftmost (high-order) field of the composite key.

Graphic and UCS-2 key fields must have the same CCSID as the key in the file.

Figure 302 on page 663 shows an example of the KLIST operation with KFLD operations.

Figure 101 on page 215 illustrates how keyed operations are used to position and retrieve records with null keys.

For more information, see “Declarative Operations” on page 414.

## KLIST (Define a Composite Key)

---

### KLIST (Define a Composite Key)

|                  |                          |
|------------------|--------------------------|
| Free-Form Syntax | (not allowed - use %KDS) |
|------------------|--------------------------|

| Code  | Factor 1          | Factor 2 | Result Field | Indicators |  |  |
|-------|-------------------|----------|--------------|------------|--|--|
| KLIST | <u>KLIST name</u> |          |              |            |  |  |

The KLIST operation is a declarative operation that gives a name to a list of KFLDs. This list can be used as a search argument to retrieve records from files that have a composite key.

You can specify a KLIST anywhere within calculations. The control level entry (positions 7 and 8) can be blank or can contain an L1 through L9 indicator, an LR indicator, or an L0 entry to group the statement within the appropriate section of the program. Conditioning indicator entries (positions 9 through 11) are not permitted. Factor 1 must contain a unique name.

Remember the following when specifying a KLIST operation:

- If a search argument is composed of more than one field (a composite key), you must specify a KLIST with multiple KFLDs.
- A KLIST name can be specified as a search argument only for externally described files.
- A KLIST and its associated KFLD fields can appear anywhere in calculations.
- A KLIST must be followed immediately by at least one KFLD.
- A KLIST is ended when a non-KFLD operation is encountered.
- A KLIST name can appear in factor 1 of a CHAIN, DELETE, READE, READPE, SETGT, or SETLL operation.
- The same KLIST name can be used as the search argument for multiple files, or it can be used multiple times as the search argument for the same file.
- A KLIST in a main procedure can have only global KFLDs associated with it. A KLIST in a subprocedure can have local and global KFLDs. For more information, see "Scope of Definitions" on page 96.

For more information, see "Declarative Operations" on page 414.

```

*...1....+...2....+...3....+...4....+...5....+...6....+...7....+...
A* DDS source
A R RECORD
A FLDA 4
A SHIFT 1 0
A FLDB 10
A CLOCK# 5 0
A FLDC 10
A DEPT 4
A FLDD 8
A K DEPT
A K SHIFT
A K CLOCK#
A*
A* End of DDS source
A*
A*****
*...1....+...2....+...3....+...4....+...5....+...6....+...7....+...
CL0N01Factor1+++++0pcode(E)+Factor2+++++Result+++++Len++D+HiLoEq....
*
* The KLIST operation indicates the name, FILEKY, by which the
* search argument can be specified.
*
C FILEKY KLIST
C KFLD DEPT
C KFLD SHIFT
C KFLD CLOCK#

```

The following diagram shows what the search argument looks like. The fields DEPT, SHIFT, and CLOCK# are key fields in this record.

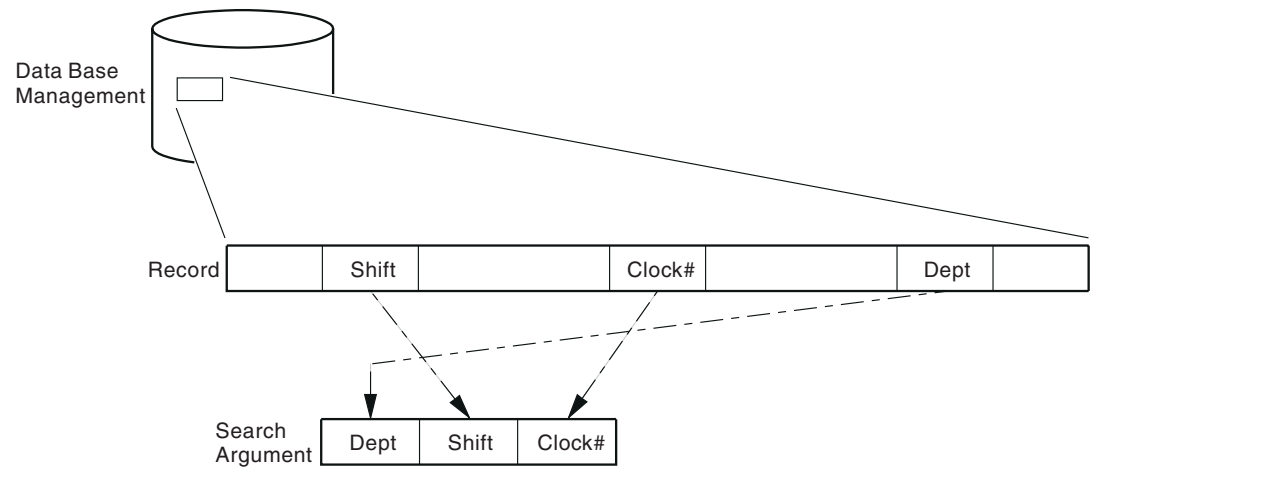


Figure 302. KLIST and KFLD Operations

## LEAVE (Leave a Do/For Group)

---

### LEAVE (Leave a Do/For Group)

|                  |       |
|------------------|-------|
| Free-Form Syntax | LEAVE |
|------------------|-------|

| Code  | Factor 1 | Factor 2 | Result Field | Indicators |  |  |
|-------|----------|----------|--------------|------------|--|--|
| LEAVE |          |          |              |            |  |  |

The LEAVE operation transfers control from within a DO or FOR group to the statement following the ENDDO or ENDFOR operation.

You can use LEAVE within a DO, DOU, DOUxx, DOW, DOWxx, or FOR loop to transfer control immediately from the innermost loop to the statement following the innermost loop's ENDDO or ENDFOR operation. Using LEAVE to leave a DO or FOR group does not increment the index.

In nested loops, LEAVE causes control to transfer "outwards" by one level only. LEAVE is not allowed outside a DO or FOR group.

The "ITER (Iterate)" on page 659 operation is similar to the LEAVE operation; however, ITER transfers control *to* the ENDDO or ENDFOR statement.

For more information, see "Branching Operations" on page 403 or "Structured Programming Operations" on page 431.

```

*...1....+....2....+....3....+....4....+....5....+....6....+....7....+....
CL0N01Factor1+++++Opcode(E)+Factor2+++++Result+++++Len++D+HiLoEq....
*
* The following example uses an infinite loop. When the user
* types 'q', control transfers to the LEAVE operation, which in
* turn transfers control out of the loop to the Z-ADD operation.
*
C 2 DOWNE 1
C :
C IF ANSWER = 'q'
C LEAVE
C ENDF
C :
C ENDDO
C Z-ADD A B
*
* The following example uses a DOUxx loop containing a DOWxx.
* The IF statement checks indicator 1. If it is ON, indicator
* 99 is turned ON, control passes to the LEAVE operation and
* out of the inner DOWxx loop.
*
* A second LEAVE instruction is then executed because indicator 99
* is ON, which in turn transfers control out of the DOUxx loop.
*
C :
C FLDA DOUEQ FLDB
C NUM DOWLT 10
C *IN01 IFEQ *ON
C SETON 99
C LEAVE
C :
C ENDF
C ENDDO
C 99 LEAVE
C :
C ENDDO
C :

```

Figure 303. LEAVE Operation

## LEAVESR (Leave a Subroutine)

### LEAVESR (Leave a Subroutine)

|                  |         |
|------------------|---------|
| Free-Form Syntax | LEAVESR |
|------------------|---------|

| Code    | Factor 1 | Factor 2 | Result Field | Indicators |  |  |
|---------|----------|----------|--------------|------------|--|--|
| LEAVESR |          |          |              |            |  |  |

The LEAVESR operation exits a subroutine from any point within the subroutine. Control passes to the ENDSR operation for the subroutine. LEAVESR is allowed only from within a subroutine.

The control level entry (positions 7 and 8) can be SR or blank. Conditioning indicator entries (positions 9 to 11) can be specified.

For more information, see "Subroutine Operations" on page 434.

```
CL0N01Factor1++++++Opcode(E)+Factor2++++++Result++++++Len++D+HiLoEq...
*
C CheckCustName BEGSR
C Name CHAIN CustFile
*
* Check if the name identifies a valid customer
*
C IF not %found(CustFile)
C EVAL Result = CustNotFound
C LEAVESR
C ENDIF
*
* Check if the customer qualifies for discount program
C IF Qualified = *OFF
C EVAL Result = CustNotQualified
C LEAVESR
C ENDIF
*
* If we get here, customer can use the discount program
C EVAL Result = CustOK
C ENDSR
```

Figure 304. LEAVESR Operations



## LOOKUP (Look Up a Table or Array Element)

|                  |                                                               |
|------------------|---------------------------------------------------------------|
| Free-Form Syntax | (not allowed - use the %LOOKUP or %TLOOKUP built-in function) |
|------------------|---------------------------------------------------------------|

| Code    | Factor 1               | Factor 2          | Result Field | Indicators |    |    |
|---------|------------------------|-------------------|--------------|------------|----|----|
| LOOKUP  |                        |                   |              |            |    |    |
| (array) | <u>Search argument</u> | <u>Array name</u> |              | HI         | LO | EQ |
| (table) | <u>Search argument</u> | <u>Table name</u> | Table name   | HI         | LO | EQ |

The LOOKUP operation causes a search to be made for a particular element in an array or table. Factor 1 is the search argument (data for which you want to find a match in the array or table named). It can be: a literal, a field name, an array element, a table name, a named constant, or a figurative constant. The nature of the comparison depends on the data type:

### Character data

If ALTSEQ(\*EXT) is specified on the control specification, the alternate collating sequence is used for character LOOKUP, unless either factor 1 or factor 2 was defined with ALTSEQ(\*NONE) on the definition specification. If ALTSEQ(\*SRC) or no alternate sequence is specified, character LOOKUP does not use the alternate sequence.

### Graphic and UCS-2 data

The comparison is hexadecimal; the alternate collating sequence is not used in any circumstance.

### Numeric data

The decimal point is ignored in numeric data, except when the array or table in Factor 2 is of type float.

### Other data types

The considerations for comparison described in "Compare Operations" on page 408 apply to other types.

If a table is named in factor 1, the search argument used is the element of the table last selected in a LOOKUP operation, or it is the first element of the table if a previous LOOKUP has not been processed. The array or table to be searched is specified in factor 2.

For a table LOOKUP, the result field can contain the name of a second table from which an element (corresponding positionally with that of the first table) can be retrieved. The name of the second table can be used to reference the element retrieved. The result field must be blank if factor 2 contains an array name.

Resulting indicators specify the search condition for LOOKUP. One must be specified in positions 71 through 76 first to determine the search to be done and then to reflect the result of the search. Any specified indicator is set on only if the search is successful. No more than two indicators can be used. Resulting indicators can be assigned to equal and high or to equal and low. The program searches for an entry that satisfies either condition with equal given precedence; that is, if no equal entry is found, the nearest lower or nearest higher entry is selected.

If an indicator is specified in positions 75-76, the %EQUAL built-in function returns '1' if an element is found that exactly matches the search argument. The %FOUND built-in function returns '1' if any specified search is successful.

## LOOKUP (Look Up a Table or Array Element)

Resulting indicators can be assigned to equal and low, or equal and high. High and low cannot be specified on the same LOOKUP operation. The compiler assumes a sorted, sequenced array or table when a high or low indicator is specified for the LOOKUP operation. The LOOKUP operation searches for an entry that satisfies the low/equal or high/equal condition with equal given priority.

- *High (71-72)*: Instructs the program to find the entry that is nearest to, yet higher in sequence than, the search argument. If such a higher entry is found, the high indicator is set on. For example, if an ascending array contains the values A B C C C D E, and the search argument is B, then the first C will satisfy the search. If a descending array contains E D C C C B A, and the search argument is B, then the last C will satisfy the search. If an entry higher than the search argument is not found in the array or table, then the search is unsuccessful.
- *Low (73-74)*: Instructs the program to find the entry that is nearest to, yet lower in sequence than, the search argument. If such a lower entry is found, the low indicator is set on. For example, if an ascending array contains the values A B C C C D E, and the search argument is D, then the last C will satisfy the search. If a descending array contains E D C C C B A, and the search argument is D, then the first C will satisfy the search. If an entry lower than the search argument is not found in the array or table, then the search is unsuccessful.
- *Equal (75-76)*: Instructs the program to find the entry equal to the search argument. The first equal entry found sets the equal indicator on. If an entry equal to the search argument is not found, then the search is unsuccessful.

When you use the LOOKUP operation, remember:

- The search argument and array or table must have the same type and length (except Time and Date fields which can have a different length). If the array or table is fixed-length character, graphic, or UCS-2, the search argument must also be fixed-length. For variable length, the length of the search argument can have a different length from the array or table.
- When LOOKUP is processed on an array and an index is used, the LOOKUP begins with the element specified by the index. The index value is set to the position number of the element located. An error occurs if the index is equal to zero or is higher than the number of elements in the array when the search begins. The index is set equal to one if the search is unsuccessful. If the index is a named constant, the index value will not change.
- A search can be made for high, low, high and equal, or low and equal only if a sequence is specified for the array or table on the definition specifications with the ASCEND or DESCEND keywords.
- No resulting indicator is set on if the search is not successful.
- If only an equal indicator (positions 75-76) is used, the LOOKUP operation will search the entire array or table. If your array or table is in ascending sequence and you want only an equal comparison, you can avoid searching the entire array or table by specifying a high indicator.
- The LOOKUP operation can produce unexpected results when the array is not in ascending or descending sequence.
- A LOOKUP operation to a dynamically allocated array without all defined elements allocated may cause errors to occur.

For more information, see “Array Operations” on page 402.

## LOOKUP (Look Up a Table or Array Element)

```

*...1....+....2....+....3....+....4....+....5....+....6....+....7....+....
CLON01Factor1+++++Opcode(E)+Factor2+++++Result+++++Len++D+HiLoEq....
*
* In this example, the programmer wants to know which element in
* ARY the LOOKUP operation locates. The Z-ADD operation sets the
* field X to 1. The LOOKUP starts at the element ARY that is
* indicated by field X and continues running until it finds the
* first element equal to SRCHWD. The index value, X, is set to
* the position number of the element located.
C
C Z-ADD 1 X 3 0
C SRCHWD LOOKUP ARY(X)
C
* In this example, the programmer wants to know if an element
* is found that is equal to SRCHWD. LOOKUP searches ARY until it
* finds the first element equal to SRCHWD. When this occurs,
* indicator 26 is set on and %EQUAL is set to return '1'.
C
C SRCHWD LOOKUP ARY
C
* The LOOKUP starts at a variable index number specified by
* field X. Field X does not have to be set to 1 before the
* LOOKUP operation. When LOOKUP locates the first element in
* ARY equal to SRCHWD, indicator 26 is set on and %EQUAL is set
* to return '1'. The index value, X, is set to the position
* number of the element located.
*
C
C SRCHWD LOOKUP ARY(X)
C

```

Figure 305. LOOKUP Operation with Arrays

```

* In this example, an array of customer information actually consists
* of several subarrays. You can search either the main array or the
* subarrays overlaying the main array.
D custInfo DS
D cust DIM(100)
D name 30A OVERLAY(cust : *NEXT)
D id_number 10I 0 OVERLAY(cust : *NEXT)
D amount 15P 3 OVERLAY(cust : *NEXT)

* You can search for a particular set of customer information
* by doing a search on the "cust" array
C custData LOOKUP cust(i)
C
* You can search on a particular field of the customer information
* by doing a search on one of the overlay arrays
C custName LOOKUP name(i)
C
* After the search, the array index can be used with any of the
* overlaying arrays. If the search on name(i) is successful,
* the id_number and amount for that customer are available
* in id_number(i) and amount(i).

```

Figure 306. LOOKUP Operation with Subarrays

## MHHZO (Move High to High Zone)

---

### MHHZO (Move High to High Zone)

|                  |                                                                                            |
|------------------|--------------------------------------------------------------------------------------------|
| Free-Form Syntax | (not allowed - use the %BITAND and %BITOR built-in functions. See Figure 176 on page 465.) |
|------------------|--------------------------------------------------------------------------------------------|

| Code  | Factor 1 | Factor 2            | Result Field        | Indicators |  |  |
|-------|----------|---------------------|---------------------|------------|--|--|
| MHHZO |          | <u>Source field</u> | <u>Target field</u> |            |  |  |

The MHHZO operation moves the zone portion of a character from the leftmost zone in factor 2 to the leftmost zone in the result field. Factor 2 and the result field must both be defined as character fields. For further information on the MHHZO operation, see "Move Zone Operations" on page 428.

The function of the MHHZO operation is shown in Figure 160 on page 429.

---

**MHLZO (Move High to Low Zone)**

|                  |                                                                                            |
|------------------|--------------------------------------------------------------------------------------------|
| Free-Form Syntax | (not allowed - use the %BITAND and %BITOR built-in functions. See Figure 176 on page 465.) |
|------------------|--------------------------------------------------------------------------------------------|

| Code  | Factor 1 | Factor 2            | Result Field        | Indicators |  |  |
|-------|----------|---------------------|---------------------|------------|--|--|
| MHLZO |          | <u>Source field</u> | <u>Target field</u> |            |  |  |

The MHLZO operation moves the zone portion of a character from the leftmost zone in factor 2 to the rightmost zone in the result field. Factor 2 must be defined as a character field. The result field can be character or numeric data. For further information on the MHLZO operation, see “Move Zone Operations” on page 428.

The function of the MHLZO operation is shown in Figure 160 on page 429.

## MLHZO (Move Low to High Zone)

---

### MLHZO (Move Low to High Zone)

|                  |                                                                                            |
|------------------|--------------------------------------------------------------------------------------------|
| Free-Form Syntax | (not allowed - use the %BITAND and %BITOR built-in functions. See Figure 176 on page 465.) |
|------------------|--------------------------------------------------------------------------------------------|

| Code  | Factor 1 | Factor 2            | Result Field        | Indicators |  |  |
|-------|----------|---------------------|---------------------|------------|--|--|
| MLHZO |          | <u>Source field</u> | <u>Target field</u> |            |  |  |

The MLHZO operation moves the zone portion of a character from the rightmost zone in factor 2 to the leftmost zone in the result field. Factor 2 can be defined as a numeric field or as a character field, but the result field must be a character field. For further information on the MLHZO operation, see “Move Zone Operations” on page 428.

The function of the MLHZO operation is shown in Figure 160 on page 429.

## MLLZO (Move Low to Low Zone)

|                  |                                                                                            |
|------------------|--------------------------------------------------------------------------------------------|
| Free-Form Syntax | (not allowed - use the %BITAND and %BITOR built-in functions. See Figure 176 on page 465.) |
|------------------|--------------------------------------------------------------------------------------------|

| Code  | Factor 1 | Factor 2            | Result Field        | Indicators |  |  |
|-------|----------|---------------------|---------------------|------------|--|--|
| MLLZO |          | <u>Source field</u> | <u>Target field</u> |            |  |  |

The MLLZO operation moves the zone portion of a character from the rightmost zone in factor 2 to the rightmost zone in the result field. Factor 2 and the result field can be either character data or numeric data. For further information on the MLLZO, see “Move Zone Operations” on page 428.

The function of the MLLZO operation is shown in Figure 160 on page 429.

## MONITOR (Begin a Monitor Group)

---

### MONITOR (Begin a Monitor Group)

|                  |         |
|------------------|---------|
| Free-Form Syntax | MONITOR |
|------------------|---------|

| Code    | Factor 1 | Factor 2 | Result Field | Indicators |  |  |
|---------|----------|----------|--------------|------------|--|--|
| MONITOR |          |          |              |            |  |  |

The monitor group performs conditional error handling based on the status code. It consists of:

- A MONITOR statement
- One or more ON-ERROR groups
- An ENDMON statement.

After the MONITOR statement, control passes to the next statement. The monitor block consists of all the statements from the MONITOR statement to the first ON-ERROR statement. If an error occurs when the monitor block is processed, control is passed to the appropriate ON-ERROR group.

If all the statements in the MONITOR block are processed without errors, control passes to the statement following the ENDMON statement.

The monitor group can be specified anywhere in calculations. It can be nested within IF, DO, SELECT, or other monitor groups. The IF, DO, and SELECT groups can be nested within monitor groups.

If a monitor group is nested within another monitor group, the innermost group is considered first when an error occurs. If that monitor group does not handle the error condition, the next group is considered.

Level indicators can be used on the MONITOR operation, to indicate that the MONITOR group is part of total calculations. For documentation purposes, you can also specify a level indicator on an ON-ERROR or ENDMON operation but this level indicator will be ignored.

Conditioning indicators can be used on the MONITOR statement. If they are not satisfied, control passes immediately to the statement following the ENDMON statement of the monitor group. Conditioning indicators cannot be used on ON-ERROR operations individually.

If a monitor block contains a call to a subprocedure, and the subprocedure has an error, the subprocedure's error handling will take precedence. For example, if the subprocedure has a \*PSSR subroutine, it will get called. The MONITOR group containing the call will only be considered if the subprocedure fails to handle the error and the call fails with the error-in-call status of 00202.

The monitor group does handle errors that occur in a subroutine. If the subroutine contains its own monitor groups, they are considered first.

Branching operations are not allowed within a monitor block, but are allowed within an ON-ERROR block.



## MONITOR (Begin a Monitor Group)

A LEAVE or ITER operation within a monitor block applies to any active DO group that contains the monitor block. A LEAVESR or RETURN operation within a monitor block applies to any subroutine, subprocedure, or procedure that contains the monitor block.

For more information, see “Error-Handling Operations” on page 415.

```
* The MONITOR block consists of the READ statement and the IF
* group.
* - The first ON-ERROR block handles status 1211 which
* is issued for the READ operation if the file is not open.
* - The second ON-ERROR block handles all other file errors.
* - The third ON-ERROR block handles the string-operation status
* code 00100 and array index status code 00121.
* - The fourth ON-ERROR block (which could have had a factor 2
* of *ALL) handles errors not handled by the specific ON-ERROR
* operations.
*
* If no error occurs in the MONITOR block, control passes from the
* ENDIF to the ENDMON.
C MONITOR
C READ FILE1
C IF NOT %EOF
C EVAL Line = %SUBST(Line(i) :
C %SCAN('***': Line(i)) + 1)
C ENDIF
C ON-ERROR 1211
C ... handle file-not-open
C ON-ERROR *FILE
C ... handle other file errors
C ON-ERROR 00100 : 00121
C ... handle string error and array-index error
C ON-ERROR
C ... handle all other errors
C ENDMON
```

Figure 307. MONITOR Operation

## MOVE (Move)

### MOVE (Move)

|                  |                                                                                                                                                                           |
|------------------|---------------------------------------------------------------------------------------------------------------------------------------------------------------------------|
| Free-Form Syntax | (not allowed - use the EVAL or EVALR operations, or built-in functions such as %CHAR, %DATE, %DEC, %DECH, %GRAPH, %INT, %INTH, %TIME, %TIMESTAMP, %UCS2, %UNS, or %UNSH ) |
|------------------|---------------------------------------------------------------------------------------------------------------------------------------------------------------------------|

| Code     | Factor 1        | Factor 2            | Result Field        | Indicators |   |    |
|----------|-----------------|---------------------|---------------------|------------|---|----|
| MOVE (P) | Data Attributes | <u>Source field</u> | <u>Target field</u> | +          | - | ZB |

The MOVE operation transfers characters from factor 2 to the result field. Moving starts with the rightmost character of factor 2.

**When moving Date, Time or Timestamp data**, factor 1 must be blank unless either the source or the target is a character or numeric field.

Otherwise, factor 1 contains the date or time format compatible with the character or numeric field that is the source or target of the operation. For information on the formats that can be used see "Date Data Type" on page 195, "Time Data Type" on page 198, and "Timestamp Data Type" on page 199.

If the source or target is a character field, you may optionally indicate the separator following the format in factor 1. Only separators that are valid for that format are allowed.

If factor 2 is \*DATE or UDATE and the result is a Date field, factor 1 is not required. If factor 1 contains a date format it must be compatible with the format of \*DATE or UDATE as specified by the DATEDIT keyword on the control specification.

**When moving character, graphic, UCS-2, or numeric data**, if factor 2 is longer than the result field, the excess leftmost characters or digits of factor 2 are not moved. If the result field is longer than factor 2, the excess leftmost characters or digits in the result field are unchanged, unless padding is specified.

You cannot specify resulting indicators if the result field is an array; you can specify them if it is an array element, or a non-array field.

If factor 2 is shorter than the length of the result field, a P specified in the operation extender position causes the result field to be padded on the left after the move occurs.

Float numeric fields and literals are not allowed as Factor 2 or Result-Field entries.

If CCSID(\*GRAPH : IGNORE) is specified or assumed for the module, MOVE operations between UCS-2 and graphic data are not allowed.

**When moving variable-length character, graphic, or UCS-2 data**, the variable-length field works in exactly the same way as a fixed-length field with the same current length. A MOVE operation does not change the length of a variable-length result field. For examples, see Figures 312 to 317. The graphic literals in this examples are not valid graphic literals. See "Graphic Format" on page 173 for more information.

The tables which appear following the examples, show how data is moved from factor 2 to the result field. For further information on the MOVE operation, see "Move Operations" on page 422 or "Conversion Operations" on page 410.

## MOVE (Move)

```

*...1....+....2....+....3....+....4....+....5....+....6....+....7....+....
* Control specification date format
H DATFMT(*ISO)
*
DName+++++ETDsFrom+++To/L+++IDc.Functions+++++
D DATE_ISO S D
D DATE_YMD S D DATFMT(*YMD)
D INZ(D'1992-03-24')
D DATE_EUR S D DATFMT(*EUR)
D INZ(D'2197-08-26')
D DATE_JIS S D DATFMT(*JIS)
D NUM_DATE1 S 6P 0 INZ(210991)
D NUM_DATE2 S 7P 0
D CHAR_DATE S 8 INZ('02/01/53')
D CHAR_LONGJUL S 8A INZ('2039/166')
D DATE_USA S D DATFMT(*USA)
CLON01Factor1+++++Opcod(E)+Factor2+++++Resul+++++Len++D+H1LoEq..
* Move between Date fields. DATE_EUR will contain 24.03.1992
*
C MOVE DATE_YMD DATE_EUR
*
* Convert numeric value in ddmmy format into a *ISO Date.
* DATE_ISO will contain 1991-09-21 after each of the 2 moves.
C *DMY MOVE 210991 DATE_ISO
C *DMY MOVE NUM_DATE1 DATE_ISO
*
* Move a character value representing a *MDY date to a *JIS Date.
* DATE_JIS will contain 1953-02-01 after each of the 2 moves.
C *MDY/ MOVE '02/01/53' DATE_JIS
C *MDY/ MOVE CHAR_DATE DATE_JIS
*
* Move a date field to a character field, using the
* date format and separators based on the job attributes
C *JOB RUN MOVE (P) DATE_JIS CHAR_DATE
*
* Move a date field to a numeric field, using the
* date format based on the job attributes
*
* Note: If the job format happens to be *JUL, the date will
* be placed in the rightmost 5 digits of NUM_DATE1.
* The MOVE L operation might be a better choice.
*
C *JOB RUN MOVE (P) DATE_JIS NUM_DATE1
*
* DATE_USA will contain 12-31-9999
C MOVE *HIVAL DATE_USA
*
* Execution error, resulting in error code 114. Year is not in
* 1940-2039 date range. DATE_YMD will be unchanged.
C MOVE DATE_USA DATE_YMD
*
* Move a *EUR date field to a numeric field that will
* represent a *CMDY date. NUM_DATE2 will contain 2082697
* after the move.
C *CMDY MOVE DATE_EUR NUM_DATE2
*
* Move a character value representing a *LONGJUL date to
* a *YMD date. DATE_YMD will be 39/06/15 after the move.
C *LONGJUL MOVE CHAR_LONGJUL DATE_YMD

```

Figure 308. MOVE Operation with Date

```

*...1....+....2....+....3....+....4....+....5....+....6....+....7....+....
* Specify default format for date fields
H DATFMT(*ISO)
DName+++++ETDsFrom+++To/L+++IDc.Functions+++++
D date_USA S D DATFMT(*USA)
D datefld S D
D timefld S T INZ('14.23.10')
D chr_dateA S 6 INZ('041596')
D chr_dateB S 7 INZ('0610807')
D chr_time S 6
CL0N0IFactor1+++++Opcod(E)+Factor2+++++Result+++++Len++D+H1LoEq..
* Move a character value representing a *MDY date to a D(Date) value.
* *MDY0 indicates that the character date in Factor 2 does not
* contain separators.
* datefld will contain 1996-04-15 after the move.
C *MDY0 MOVE chr_dateA datefld
* Move a field containing a T(Time) value to a character value in the
* *EUR format. *EUR0 indicates that the result field should not
* contain separators.
* chr_time will contain '142310' after the move.
C *EUR0 MOVE timefld chr_time
* Move a character value representing a *CYMD date to a *USA
* Date. Date_USA will contain 08/07/1961 after the move.
* 0 in *CYMD indicates that the character value does not
* contain separators.
C *CYMD0 MOVE chr_dateB date_USA

```

Figure 309. MOVE Operation with Date and Time without Separators

## MOVE (Move)

```

*...1....+....2....+....3....+....4....+....5....+....6....+....7....+....
* Control specification DATEDIT format
*
H DATEDIT(*MDY)
*
DName+++++ETDsFrom+++To/L+++IDc.Functions+++++
D Jobstart S Z
D Datestart S D
D Timestart S T
D Timebegin S T inz(T'05.02.23')
D Datebegin S D inz(D'1991-09-24')
D TmStamp S Z inz
*
* Set the timestamp Jobstart with the job start Date and Time
*
* Factor 1 of the MOVE *DATE (*USA = MMDDYYYY) is consistent
* with the value specified for the DATEDIT keyword on the
* control specification, since DATEDIT(*MDY) indicates that
* *DATE is formatted as MMDDYYYY.
*
* Note: It is not necessary to specify factor 1 with *DATE or
* UDATE.
*
CL0N01Factor1+++++Opcod(E)+Factor2+++++Result+++++Len++D+HiLoEq..
C *USA MOVE *DATE Datestart
C TIME StrTime StrTime 6 0
C *HMS MOVE StrTime Timestart
C MOVE Datestart Jobstart
C MOVE Timestart Jobstart
*
* After the following C specifications are performed, the field
* stampchar will contain '1991-10-24-05.17.23.000000'.
*
* First assign a timestamp the value of a given time+15 minutes and
* given date + 30 days. Move tmstamp to a character field.
* stampchar will contain '1991-10-24-05.17.23.000000'.
*
C ADDDUR 15:*minutes Timebegin
C ADDDUR 30:*days Datebegin
C MOVE Timebegin TmStamp
C MOVE Datebegin TmStamp
C MOVE TmStamp stampchar 26
* Move the timestamp to a character field without separators. After
* the move, STAMPCHAR will contain '19911024051723000000'.
C *ISO0 MOVE(P) TMSTAMP STAMPCHAR0

```

Figure 310. MOVE Operation with Timestamp

```

*...1....+....2....+....3....+....4....+....5....+....6....+....7....+....
DName+++++ETDsFrom+++To/L+++IDc.Functions+++++
*
* Example of MOVE between graphic and character fields
*
D char_fld1 S 10A inz('oK1K2K3 i')
D dbcs_fld1 S 4G
D char_fld2 S 10A inz(*ALL'Z')
D dbcs_fld2 S 3G inz(G'oK1K2K3i')
*
*
CL0N01Factor1+++++Opcode(E)+Factor2+++++Result+++++Len++D+HiL
*
* Value of dbcs_fld1 after MOVE operation is 'K1K2K3 '
* Value of char_fld2 after MOVE operation is 'ZZoK1K2K3i'
*
C MOVE char_fld1 dbcs_fld1
C MOVE dbcs_fld2 char_fld2

```

Figure 311. MOVE between character and graphic fields

```

*...1....+....2....+....3....+....4....+....5....+....6....+....7....+....
DName+++++ETDsFrom+++To/L+++IDc.Functions+++++
*
* Example of MOVE from variable to variable length
* for character fields
*
D var5a S 5A INZ('ABCDE') VARYING
D var5b S 5A INZ('ABCDE') VARYING
D var5c S 5A INZ('ABCDE') VARYING
D var10a S 10A INZ('0123456789') VARYING
D var10b S 10A INZ('ZXCVBNM') VARYING
D var15a S 15A INZ('FGH') VARYING
D var15b S 15A INZ('FGH') VARYING
D var15c S 15A INZ('QWERTYUIOPAS') VARYING
*
*
CL0N01Factor1+++++Opcode(E)+Factor2+++++Result+++++Len++D+HiL
*
C MOVE var15a var5a
* var5a = 'ABFGH' (length=5)
C MOVE var10a var5b
* var5b = '56789' (length=5)
C MOVE var5c var15a
* var15a = 'CDE' (length=3)
C MOVE var10b var15b
* var15b = 'BNM' (length=3)
C MOVE var15c var10b
* var10b = 'YUIOPAS' (length=7)

```

Figure 312. MOVE from a variable-length field to variable-length field

## MOVE (Move)

```

*...1....+...2....+...3....+...4....+...5....+...6....+...7....+...
DName+++++ETDsFrom+++To/L+++IDc.Functions+++++
*
* Example of MOVE from variable to fixed length
* for character fields
*
D var5 S 5A INZ('ABCDE') VARYING
D var10 S 10A INZ('0123456789') VARYING
D var15 S 15A INZ('FGH') VARYING
D fix5a S 5A INZ('MNO PQ')
D fix5b S 5A INZ('MNO PQ')
D fix5c S 5A INZ('MNO PQ')
*
*
CL0N01Factor1+++++Opcode(E)+Factor2+++++Result+++++Len++D+HiL
*
C MOVE var5 fix5a
* fix5a = 'ABCDE'
C MOVE var10 fix5b
* fix5b = '56789'
C MOVE var15 fix5c
* fix5c = 'MNF GH'

```

Figure 313. MOVE from a variable-length field to a fixed-length field

```

*...1....+...2....+...3....+...4....+...5....+...6....+...7....+...
DName+++++ETDsFrom+++To/L+++IDc.Functions+++++
*
* Example of MOVE from fixed to variable length
* for character fields
*
D var5 S 5A INZ('ABCDE') VARYING
D var10 S 10A INZ('0123456789') VARYING
D var15 S 15A INZ('FGHIJKL') VARYING
D fix5 S 5A INZ('.....')
D fix10 S 10A INZ('PQRSTUVWXYZ')
*
*
CL0N01Factor1+++++Opcode(E)+Factor2+++++Result+++++Len++D+HiL
*
C MOVE fix10 var5
* var5 = 'UVWXY' (length=5)
C MOVE fix5 var10
* var10 = '01234.....' (length=10)
C MOVE fix10 var15
* var15 = 'STUVWXY' (length=7)

```

Figure 314. MOVE from a fixed-length field to a variable-length field



```

*...1....+....2....+....3....+....4....+....5....+....6....+....7....+....
DName+++++ETDsFrom+++To/L+++IDc.Functions+++++
*
* Example of MOVE(P) from variable to variable length
* for character fields
*
D var5a S 5A INZ('ABCDE') VARYING
D var5b S 5A INZ('ABCDE') VARYING
D var5c S 5A INZ('ABCDE') VARYING
D var10 S 10A INZ('0123456789') VARYING
D var15a S 15A INZ('FGH') VARYING
D var15b S 15A INZ('FGH') VARYING
D var15c S 15A INZ('FGH') VARYING
*
*
CL0N01Factor1+++++Opcode(E)+Factor2+++++Result+++++Len++D+HiL
*
C MOVE(P) var15a var5a
* var5a = ' FGH' (length=5)
C MOVE(P) var10 var5b
* var5b = '56789' (length=5)
C MOVE(P) var5c var15b
* var15b = 'CDE' (length=3)
C MOVE(P) var10 var15c
* var15c = '789' (length=3)

```

Figure 315. MOVE(P) from a variable-length field to a variable-length field

```

*...1....+....2....+....3....+....4....+....5....+....6....+....7....+....
DName+++++ETDsFrom+++To/L+++IDc.Functions+++++
*
* Example of MOVE(P) from variable to fixed length
* for character fields
*
D var5 S 5A INZ('ABCDE') VARYING
D var10 S 10A INZ('0123456789') VARYING
D var15 S 15A INZ('FGH') VARYING
D fix5a S 5A INZ('MNO PQ')
D fix5b S 5A INZ('MNO PQ')
D fix5c S 5A INZ('MNO PQ')
*
*
CL0N01Factor1+++++Opcode(E)+Factor2+++++Result+++++Len++D+HiL
*
C MOVE(P) var5 fix5a
* fix5a = 'ABCDE'
C MOVE(P) var10 fix5b
* fix5b = '56789'
C MOVE(P) var15 fix5c
* fix5c = ' FGH'

```

Figure 316. MOVE(P) from a variable-length field to a fixed-length field

## MOVE (Move)

```

*...1....+....2....+....3....+....4....+....5....+....6....+....7....+....
DName+++++++ETDsFrom+++To/L+++IDc.Functions+++++++
*
* Example of MOVE(P) from fixed to variable length
* for character fields
*
D var5 S 5A INZ('ABCDE') VARYING
D var10 S 10A INZ('0123456789') VARYING
D var15a S 15A INZ('FGHIJKLMNOPQR') VARYING
D var15b S 15A INZ('FGHIJ') VARYING
D fix5 S 5A INZ('')
D fix10 S 10A INZ('PQRSTUVWXYZ')
*
*
CL0N01Factor1+++++++0pcode(E)+Factor2+++++++Result+++++++Len++D+HiL
*
C MOVE(P) fix10 var5
* var5 = 'UVWXY' (length=5 before and after)
C MOVE(P) fix10 var10
* var10 = 'PQRSTUVWXYZ' (length=10 before and after)
C MOVE(P) fix10 var15a
* var15a = ' PQRSTUVWXYZ' (length=13 before and after)
C MOVE(P) fix10 var15b
* var15b = 'UVWXY' (length=5 before and after)

```

Figure 317. MOVE(P) from a fixed-length field to a variable-length field

Table 67. Moving a Character Field to a Date-Time Field. Factor 1 specifies the format of the Factor 2 entry

| Factor 1 Entry | Factor 2 (Character)       | Result Field               |          |
|----------------|----------------------------|----------------------------|----------|
|                |                            | Value                      | DTZ Type |
| *MDY-          | 11-19-75                   | 75/323                     | D(*JUL)  |
| *JUL           | 92/114                     | 23/04/92                   | D(*DMY)  |
| *YMD           | 14/01/28                   | 01/28/2014                 | D(*USA)  |
| *YMD0          | 140128                     | 01/28/2014                 | D(*USA)  |
| *USA           | 12/31/9999                 | 31.12.9999                 | D(*EUR)  |
| *ISO           | 2036-05-21                 | 21/05/36                   | D(*DMY)  |
| *JUL           | 45/333                     | 11/29/1945                 | D(*USA)  |
| *MDY/          | 03/05/33                   | 03.05.33                   | D(*MDY.) |
| *CYMD&         | 121 07 08                  | 08.07.2021                 | D(*EUR)  |
| *CYMD0         | 1210708                    | 07,08,21                   | D(*MDY,) |
| *CMDY.         | 107.08.21                  | 21-07-08                   | D(*YMD-) |
| *CDMY0         | 1080721                    | 07/08/2021                 | D(*USA)  |
| *LONGJUL-      | 2021-189                   | 08/07/2021                 | D(*EUR)  |
| *HMS&          | 23 12 56                   | 23.12.56                   | T(*ISO)  |
| *USA           | 1:00 PM                    | 13.00.00                   | T(*EUR)  |
| *EUR           | 11.10.07                   | 11:10:07                   | T(*JIS)  |
| *JIS           | 14:16:18                   | 14.16.18                   | T(*HMS.) |
| *ISO           | 24.00.00                   | 12:00 AM                   | T(*USA)  |
| Blank          | 1991-09-14-13.12.56.123456 | 1991-09-14-13.12.56.123456 | Z(*ISO)  |
| *ISO           | 1991-09-14-13.12.56.123456 | 1991-09-14-13.12.56.123456 | Z(*ISO)  |

Table 68. Moving a Numeric Field to a Date-Time Field. Factor 1 specifies the format of the Factor 2 entry

| Factor 1 Entry <sup>1</sup>                                                                                                                                                                                                                                                                                                                           | Factor 2 (Numeric)           | Result Field               |          |
|-------------------------------------------------------------------------------------------------------------------------------------------------------------------------------------------------------------------------------------------------------------------------------------------------------------------------------------------------------|------------------------------|----------------------------|----------|
|                                                                                                                                                                                                                                                                                                                                                       |                              | Value                      | DTZ Type |
| *MDY                                                                                                                                                                                                                                                                                                                                                  | 111975                       | 75/323                     | D(*JUL)  |
| *JUL                                                                                                                                                                                                                                                                                                                                                  | 92114                        | 23/04/92                   | D(*DMY)  |
| *YMD                                                                                                                                                                                                                                                                                                                                                  | 140128                       | 01/28/2014                 | D(*USA)  |
| *USA <sup>2</sup>                                                                                                                                                                                                                                                                                                                                     | 12319999                     | 31.12.9999                 | D(*EUR)  |
| *ISO                                                                                                                                                                                                                                                                                                                                                  | 20360521                     | 21/05/36                   | D(*DMY)  |
| *JUL                                                                                                                                                                                                                                                                                                                                                  | 45333                        | 11/29/1945                 | D(*USA)  |
| *MDY                                                                                                                                                                                                                                                                                                                                                  | 030533                       | 03.05.33                   | D(*MDY.) |
| *CYMD                                                                                                                                                                                                                                                                                                                                                 | 1210708                      | 08.07.2021                 | D(*EUR)  |
| *CMDY                                                                                                                                                                                                                                                                                                                                                 | 1070821                      | 21-07-08                   | D(*YMD-) |
| *CDMY                                                                                                                                                                                                                                                                                                                                                 | 1080721                      | 07/08/2021                 | D(*USA)  |
| *LONGJUL                                                                                                                                                                                                                                                                                                                                              | 2021189                      | 08/07/2021                 | D(*EUR)  |
| *USA                                                                                                                                                                                                                                                                                                                                                  | *DATE (092195) <sup>3</sup>  | 1995-09-21                 | D(*JIS)  |
| Blank                                                                                                                                                                                                                                                                                                                                                 | *DATE (092195) <sup>3</sup>  | 1995-09-21                 | D(*JIS)  |
| *MDY                                                                                                                                                                                                                                                                                                                                                  | UPDATE (092195) <sup>3</sup> | 21.09.1995                 | D(*EUR)  |
| *HMS                                                                                                                                                                                                                                                                                                                                                  | 231256                       | 23.12.56                   | T(*ISO)  |
| *EUR                                                                                                                                                                                                                                                                                                                                                  | 111007                       | 11:10:07                   | T(*JIS)  |
| *JIS                                                                                                                                                                                                                                                                                                                                                  | 141618                       | 14.16.18                   | T(*HMS.) |
| *ISO                                                                                                                                                                                                                                                                                                                                                  | 240000                       | 12:00 AM                   | T(*USA)  |
| Blank <sup>4</sup>                                                                                                                                                                                                                                                                                                                                    | 19910914131256123456         | 1991-09-14-13.12.56.123456 | Z(*ISO)  |
| <b>Notes:</b>                                                                                                                                                                                                                                                                                                                                         |                              |                            |          |
| 1. A separator of zero (0) is not allowed in factor 1 for movement between date, time or timestamp fields and numeric classes.                                                                                                                                                                                                                        |                              |                            |          |
| 2. Time format *USA is not allowed for movement between time and numeric classes.                                                                                                                                                                                                                                                                     |                              |                            |          |
| 3. For *DATE and UPDATE, assume that the job date in the job description is of *MDY format and contains 092195. Factor 1 is optional and will default to the correct format. If factor 2 is *DATE, and factor 1 is coded, it must be a 4-digit year date format. If factor 2 is UPDATE, and factor 1 is coded, it must be a 2-digit year date format. |                              |                            |          |
| 4. For moves of timestamp fields, factor 1 is optional. If it is coded it must be *ISO or *ISO0.                                                                                                                                                                                                                                                      |                              |                            |          |

Table 69. Moving a Date-Time Field to a Character Field

| Factor 1 Entry | Factor 2   |           | Result Field (Character) |
|----------------|------------|-----------|--------------------------|
|                | Value      | DTZ Type  |                          |
| *JUL           | 11-19-75   | D(*MDY-)  | 75/323                   |
| *DMY-          | 92/114     | D(*JUL)   | 23-04-92                 |
| *USA           | 14/01/28   | D(*YMD)   | 01/28/2014               |
| *EUR           | 12/31/9999 | D(*USA)   | 31.12.9999               |
| *DMY,          | 2036-05-21 | D(*ISO)   | 21,05,36                 |
| *USA           | 45/333     | D(*JUL)   | 11/29/1945               |
| *USA0          | 45/333     | D(*JUL)   | 11291945                 |
| *MDY&          | 03/05/33   | D(*MDY)   | 03 05 33                 |
| *CYMD,         | 03 07 08   | D(*MDY&); | 108,03,07                |

## MOVE (Move)

Table 69. Moving a Date-Time Field to a Character Field (continued)

| Factor 1 Entry | Factor 2                   |           | Result Field (Character)   |
|----------------|----------------------------|-----------|----------------------------|
|                | Value                      | DTZ Type  |                            |
| *CYMD0         | 21/07/08                   | D(*DMY)   | 1080721                    |
| *CMDY          | 21-07-08                   | D(*YMD-)  | 107/08/21                  |
| *CDMY-         | 07/08/2021                 | D(*USA)   | 108-07-21                  |
| *LONGJUL&      | 08/07/2021                 | D(*EUR)   | 2021 189                   |
| *ISO           | 23 12 56                   | T(*HMS&); | 23.12.56                   |
| *EUR           | 11:00 AM                   | T(*USA)   | 11.00.00                   |
| *JIS           | 11.10.07                   | T(*EUR)   | 11:10:07                   |
| *HMS,          | 14:16:18                   | T(*JIS)   | 14,16,18                   |
| *USA           | 24.00.00                   | T(*ISO)   | 12:00 AM                   |
| Blank          | 2045-10-27-23.34.59.123456 | Z(*ISO)   | 2045-10-27-23.34.59.123456 |

Table 70. Moving a Date-Time Field to a Numeric Field

| Factor 1 Entry | Factor 2                   |           | Result Field (Numeric) |
|----------------|----------------------------|-----------|------------------------|
|                | Value                      | DTZ Type  |                        |
| *JUL           | 11-19-75                   | D(*MDY-)  | 75323                  |
| *DMY-          | 92/114                     | D(*JUL)   | 230492                 |
| *USA           | 14/01/28                   | D(*YMD)   | 01282014               |
| *EUR           | 12/31/9999                 | D(*USA)   | 31129999               |
| *DMY,          | 2036-05-21                 | D(*ISO)   | 210536                 |
| *USA           | 45/333                     | D(*JUL)   | 11291945               |
| *MDY&          | 03/05/33                   | D(*MDY)   | 030533                 |
| *CYMD,         | 03 07 08                   | D(*MDY&); | 1080307                |
| *CMDY          | 21-07-08                   | D(*YMD-)  | 1070821                |
| *CDMY-         | 07/08/2021                 | D(*USA)   | 1080721                |
| *LONGJUL&      | 08/07/2021                 | D(*EUR)   | 2021189                |
| *ISO           | 23 12 56                   | T(*HMS&); | 231256                 |
| *EUR           | 11:00 AM                   | T(*USA)   | 110000                 |
| *JIS           | 11.10.07                   | T(*EUR)   | 111007                 |
| *HMS,          | 14:16:18                   | T(*JIS)   | 141618                 |
| *ISO           | 2045-10-27-23.34.59.123456 | Z(*ISO)   | 20451027233459123456   |

Table 71. Moving Date-Time Fields to Date-Time Fields. Assume that the initial value of the timestamp is 1985-12-03-14.23.34.123456.

| Factor 1 | Factor 2   |           | Result Field |          |
|----------|------------|-----------|--------------|----------|
|          | Value      | DTZ Type  | Value        | DTZ Type |
| N/A      | 1986-06-24 | D(*ISO)   | 86/06/24     | D(*YMD)  |
| N/A      | 23 07 12   | D(*DMY&); | 23.07.2012   | D(*EUR)  |
| N/A      | 11:53 PM   | T(USA)    | 23.53.00     | T(*EUR)  |
| N/A      | 19.59.59   | T(*HMS.)  | 19:59:59     | T(*JIS)  |

Table 71. Moving Date-Time Fields to Date-Time Fields (continued). Assume that the initial value of the timestamp is 1985-12-03-14.23.34.123456.

| Factor 1 | Factor 2                   |          | Result Field               |          |
|----------|----------------------------|----------|----------------------------|----------|
|          | Value                      | DTZ Type | Value                      | DTZ Type |
| N/A      | 1985-12-03-14.23.34.123456 | Z(*ISO.) | 1985-12-03-14.23.34.123456 | Z(*ISO)  |
| N/A      | 75.06.30                   | D(*YMD.) | 1975-06-30-14.23.34.123456 | Z(*ISO)  |
| N/A      | 09/23/2234                 | D(*USA)  | 2234-09-23-14.23.34.123456 | Z(*ISO)  |
| N/A      | 18,45,59                   | T(*HMS,) | 1985-12-03-18.45.59.000000 | Z(*ISO)  |
| N/A      | 2:00 PM                    | T(*USA)  | 1985-12-03-14.00.00.000000 | Z(*ISO)  |
| N/A      | 1985-12-03-14.23.34.123456 | Z(*ISO.) | 12/03/85                   | D(*MDY)  |
| N/A      | 1985-12-03-14.23.34.123456 | Z(*ISO.) | 12/03/1985                 | D(*USA)  |
| N/A      | 1985-12-03-14.23.34.123456 | Z(*ISO.) | 14:23:34                   | T(*HMS)  |
| N/A      | 1985-12-03-14.23.34.123456 | Z(*ISO.) | 02:23 PM                   | T(*USA)  |

Table 72. Moving a Date field to a Character field. The result field is larger than factor 2. Assume that Factor 1 contains \*ISO and that the result field is defined as

```
D Result_Fld 20A INZ('ABCDEFGHJIJabcdefghij')
```

| Operation Code | Factor 2 |           | Value of Result Field after move operation |
|----------------|----------|-----------|--------------------------------------------|
|                | Value    | DTZ Type  |                                            |
| MOVE           | 11 19 75 | D(*MDY&); | 'ABCDEFGHJIJ1975-11-19'                    |
| MOVE(P)        | 11 19 75 | D(*MDY&); | ' 1975-11-19'                              |
| MOVEL          | 11 19 75 | D(*MDY&); | '1975-11-19abcdefghij'                     |
| MOVEL(P)       | 11 19 75 | D(MDY&);  | '1975-11-19 '                              |

Table 73. Moving a Time field to a Numeric field. The result field is larger than factor 2. Assume that Factor 1 contains \*ISO and that the result field is defined as

```
D Result_Fld 20S INZ(11111111111111111111)
```

| Operation Code | Factor 2 |          | Value of Result Field after move operation |
|----------------|----------|----------|--------------------------------------------|
|                | Value    | DTZ Type |                                            |
| MOVE           | 9:42 PM  | T(*USA)  | 11111111111111214200                       |
| MOVE(P)        | 9:42 PM  | T(*USA)  | 00000000000000214200                       |
| MOVEL          | 9:42 PM  | T(*USA)  | 21420011111111111111                       |
| MOVEL(P)       | 9:42 PM  | T(*USA)  | 21420000000000000000                       |

Table 74. Moving a Numeric field to a Time field. Factor 2 is larger than the result field. The highlighted portion shows the part of the factor 2 field that is moved.

| Operation Code | Factor 2    | Result Field |          |
|----------------|-------------|--------------|----------|
|                |             | DTZ Type     | Value    |
| MOVE           | 11:12:13:14 | T(*EUR)      | 12.13.14 |
| MOVEL          | 11:12:13:14 | T(*EUR)      | 11.12.13 |

## MOVE (Move)

Table 75. Moving a Numeric field to a Timestamp field. Factor 2 is larger than the result field. The highlighted portion shows the part of the factor 2 field that is moved.

| Operation Code | Factor 2                   | Result Field |                            |
|----------------|----------------------------|--------------|----------------------------|
|                |                            | DTZ Type     | Value                      |
| MOVE           | 12340618230323123420123456 | Z(*ISO)      | 1823-03-23-12.34.20.123456 |
| MOVEL          | 12340618230323123420123456 | Z(*ISO)      | 1234-06-18-23.03.23.123420 |

### Factor 2 Shorter Than Result Field

|                           | Factor 2      |             | Result Field                   |
|---------------------------|---------------|-------------|--------------------------------|
| a. Character to Character | P H 4 S N     | Before MOVE | 1 2 3 4 5 6 7 8 4 <sup>+</sup> |
|                           | P H 4 S N     | After MOVE  | 1 2 3 4 P H 4 S N              |
| b. Character to Numeric   | P H 4 S N     | Before MOVE | 1 2 3 4 5 6 7 8 4 <sup>+</sup> |
|                           | P H 4 S N     | After MOVE  | 1 2 3 4 7 8 4 2 5 <sup>-</sup> |
| c. Numeric to Numeric     | 1 2 7 8 4 2 5 | Before MOVE | 1 2 3 4 5 6 7 8 9              |
|                           | 1 2 7 8 4 2 5 | After MOVE  | 1 2 1 2 7 8 4 2 5              |
| d. Numeric to Character   | 1 2 7 8 4 2 5 | Before MOVE | A C F G P H 4 S N              |
|                           | 1 2 7 8 4 2 5 | After MOVE  | A C 1 2 7 8 4 2 5              |

### Factor 2 Longer Than Result Field

|                           | Factor 2          |             | Result Field           |
|---------------------------|-------------------|-------------|------------------------|
| a. Character to Character | A C E G P H 4 S N | Before MOVE | 5 6 7 8 4              |
|                           | A C E G P H 4 S N | After MOVE  | P H 4 S N              |
| b. Character to Numeric   | A C E G P H 4 S N | Before MOVE | 5 6 7 8 4 <sup>+</sup> |
|                           | A C E G P H 4 S N | After MOVE  | 7 8 4 2 5 <sup>-</sup> |
| c. Numeric to Numeric     | 1 2 7 8 4 2 5     | Before MOVE | 5 6 7 8 4              |
|                           | 1 2 7 8 4 2 5     | After MOVE  | 7 8 4 2 5              |
| d. Numeric to Character   | 1 2 7 8 4 2 5     | Before MOVE | P H 4 S N              |
|                           | 1 2 7 8 4 2 5     | After MOVE  | 7 8 4 2 5              |

Figure 318. MOVE Operation (Part 1 of 2)

**Factor 2 Shorter Than Result Field  
With P in Operation Extender Field**

|                           | <b>Factor 2</b>                                                                                                                                                                                                        |   | <b>Result Field</b> |   |   |   |   |                |   |   |   |             |                                                                                                                                                                                                                                                                                                                     |   |   |             |                                                                                                                                                                                                                                                                                                                                                             |   |   |   |   |                |   |   |   |   |   |   |   |   |   |  |  |  |  |  |  |  |  |  |  |  |  |  |  |
|---------------------------|------------------------------------------------------------------------------------------------------------------------------------------------------------------------------------------------------------------------|---|---------------------|---|---|---|---|----------------|---|---|---|-------------|---------------------------------------------------------------------------------------------------------------------------------------------------------------------------------------------------------------------------------------------------------------------------------------------------------------------|---|---|-------------|-------------------------------------------------------------------------------------------------------------------------------------------------------------------------------------------------------------------------------------------------------------------------------------------------------------------------------------------------------------|---|---|---|---|----------------|---|---|---|---|---|---|---|---|---|--|--|--|--|--|--|--|--|--|--|--|--|--|--|
| a. Character to Character | <table border="0" style="margin-left: 20px;"> <tr><td>P</td><td>H</td><td>4</td><td>S</td><td>N</td></tr> <tr><td> </td><td> </td><td> </td><td> </td><td> </td></tr> </table>                                         | P | H                   | 4 | S | N |   |                |   |   |   | Before MOVE | <table border="0" style="margin-left: 20px;"> <tr><td>1</td><td>2</td><td>3</td><td>4</td><td>5</td><td>6</td><td>7</td><td>8</td><td>4<sup>+</sup></td></tr> <tr><td> </td><td> </td><td> </td><td> </td><td> </td><td> </td><td> </td><td> </td><td> </td></tr> </table>                                          | 1 | 2 | 3           | 4                                                                                                                                                                                                                                                                                                                                                           | 5 | 6 | 7 | 8 | 4 <sup>+</sup> |   |   |   |   |   |   |   |   |   |  |  |  |  |  |  |  |  |  |  |  |  |  |  |
| P                         | H                                                                                                                                                                                                                      | 4 | S                   | N |   |   |   |                |   |   |   |             |                                                                                                                                                                                                                                                                                                                     |   |   |             |                                                                                                                                                                                                                                                                                                                                                             |   |   |   |   |                |   |   |   |   |   |   |   |   |   |  |  |  |  |  |  |  |  |  |  |  |  |  |  |
|                           |                                                                                                                                                                                                                        |   |                     |   |   |   |   |                |   |   |   |             |                                                                                                                                                                                                                                                                                                                     |   |   |             |                                                                                                                                                                                                                                                                                                                                                             |   |   |   |   |                |   |   |   |   |   |   |   |   |   |  |  |  |  |  |  |  |  |  |  |  |  |  |  |
| 1                         | 2                                                                                                                                                                                                                      | 3 | 4                   | 5 | 6 | 7 | 8 | 4 <sup>+</sup> |   |   |   |             |                                                                                                                                                                                                                                                                                                                     |   |   |             |                                                                                                                                                                                                                                                                                                                                                             |   |   |   |   |                |   |   |   |   |   |   |   |   |   |  |  |  |  |  |  |  |  |  |  |  |  |  |  |
|                           |                                                                                                                                                                                                                        |   |                     |   |   |   |   |                |   |   |   |             |                                                                                                                                                                                                                                                                                                                     |   |   |             |                                                                                                                                                                                                                                                                                                                                                             |   |   |   |   |                |   |   |   |   |   |   |   |   |   |  |  |  |  |  |  |  |  |  |  |  |  |  |  |
|                           | <table border="0" style="margin-left: 20px;"> <tr><td>P</td><td>H</td><td>4</td><td>S</td><td>N</td></tr> <tr><td> </td><td> </td><td> </td><td> </td><td> </td></tr> </table>                                         | P | H                   | 4 | S | N |   |                |   |   |   | After MOVE  | <table border="0" style="margin-left: 20px;"> <tr><td></td><td></td><td></td><td></td><td></td><td></td><td></td><td>P</td><td>H</td><td>4</td><td>S</td><td>N</td></tr> <tr><td> </td><td> </td><td> </td><td> </td><td> </td><td> </td><td> </td><td> </td><td> </td><td> </td><td> </td><td> </td></tr> </table> |   |   |             |                                                                                                                                                                                                                                                                                                                                                             |   |   |   | P | H              | 4 | S | N |   |   |   |   |   |   |  |  |  |  |  |  |  |  |  |  |  |  |  |  |
| P                         | H                                                                                                                                                                                                                      | 4 | S                   | N |   |   |   |                |   |   |   |             |                                                                                                                                                                                                                                                                                                                     |   |   |             |                                                                                                                                                                                                                                                                                                                                                             |   |   |   |   |                |   |   |   |   |   |   |   |   |   |  |  |  |  |  |  |  |  |  |  |  |  |  |  |
|                           |                                                                                                                                                                                                                        |   |                     |   |   |   |   |                |   |   |   |             |                                                                                                                                                                                                                                                                                                                     |   |   |             |                                                                                                                                                                                                                                                                                                                                                             |   |   |   |   |                |   |   |   |   |   |   |   |   |   |  |  |  |  |  |  |  |  |  |  |  |  |  |  |
|                           |                                                                                                                                                                                                                        |   |                     |   |   |   | P | H              | 4 | S | N |             |                                                                                                                                                                                                                                                                                                                     |   |   |             |                                                                                                                                                                                                                                                                                                                                                             |   |   |   |   |                |   |   |   |   |   |   |   |   |   |  |  |  |  |  |  |  |  |  |  |  |  |  |  |
|                           |                                                                                                                                                                                                                        |   |                     |   |   |   |   |                |   |   |   |             |                                                                                                                                                                                                                                                                                                                     |   |   |             |                                                                                                                                                                                                                                                                                                                                                             |   |   |   |   |                |   |   |   |   |   |   |   |   |   |  |  |  |  |  |  |  |  |  |  |  |  |  |  |
| b. Character to Numeric   | <table border="0" style="margin-left: 20px;"> <tr><td>P</td><td>H</td><td>4</td><td>S</td><td>N</td></tr> <tr><td> </td><td> </td><td> </td><td> </td><td> </td></tr> </table>                                         | P | H                   | 4 | S | N |   |                |   |   |   | Before MOVE | <table border="0" style="margin-left: 20px;"> <tr><td>1</td><td>2</td><td>3</td><td>4</td><td>5</td><td>6</td><td>7</td><td>8</td><td>4<sup>+</sup></td></tr> <tr><td> </td><td> </td><td> </td><td> </td><td> </td><td> </td><td> </td><td> </td><td> </td></tr> </table>                                          | 1 | 2 | 3           | 4                                                                                                                                                                                                                                                                                                                                                           | 5 | 6 | 7 | 8 | 4 <sup>+</sup> |   |   |   |   |   |   |   |   |   |  |  |  |  |  |  |  |  |  |  |  |  |  |  |
| P                         | H                                                                                                                                                                                                                      | 4 | S                   | N |   |   |   |                |   |   |   |             |                                                                                                                                                                                                                                                                                                                     |   |   |             |                                                                                                                                                                                                                                                                                                                                                             |   |   |   |   |                |   |   |   |   |   |   |   |   |   |  |  |  |  |  |  |  |  |  |  |  |  |  |  |
|                           |                                                                                                                                                                                                                        |   |                     |   |   |   |   |                |   |   |   |             |                                                                                                                                                                                                                                                                                                                     |   |   |             |                                                                                                                                                                                                                                                                                                                                                             |   |   |   |   |                |   |   |   |   |   |   |   |   |   |  |  |  |  |  |  |  |  |  |  |  |  |  |  |
| 1                         | 2                                                                                                                                                                                                                      | 3 | 4                   | 5 | 6 | 7 | 8 | 4 <sup>+</sup> |   |   |   |             |                                                                                                                                                                                                                                                                                                                     |   |   |             |                                                                                                                                                                                                                                                                                                                                                             |   |   |   |   |                |   |   |   |   |   |   |   |   |   |  |  |  |  |  |  |  |  |  |  |  |  |  |  |
|                           |                                                                                                                                                                                                                        |   |                     |   |   |   |   |                |   |   |   |             |                                                                                                                                                                                                                                                                                                                     |   |   |             |                                                                                                                                                                                                                                                                                                                                                             |   |   |   |   |                |   |   |   |   |   |   |   |   |   |  |  |  |  |  |  |  |  |  |  |  |  |  |  |
|                           | <table border="0" style="margin-left: 20px;"> <tr><td>P</td><td>H</td><td>4</td><td>S</td><td>N</td></tr> <tr><td> </td><td> </td><td> </td><td> </td><td> </td></tr> </table>                                         | P | H                   | 4 | S | N |   |                |   |   |   | After MOVE  | <table border="0" style="margin-left: 20px;"> <tr><td>0</td><td>0</td><td>0</td><td>0</td><td>7</td><td>8</td><td>4</td><td>2</td><td>5</td></tr> <tr><td> </td><td> </td><td> </td><td> </td><td> </td><td> </td><td> </td><td> </td><td> </td></tr> </table>                                                      | 0 | 0 | 0           | 0                                                                                                                                                                                                                                                                                                                                                           | 7 | 8 | 4 | 2 | 5              |   |   |   |   |   |   |   |   |   |  |  |  |  |  |  |  |  |  |  |  |  |  |  |
| P                         | H                                                                                                                                                                                                                      | 4 | S                   | N |   |   |   |                |   |   |   |             |                                                                                                                                                                                                                                                                                                                     |   |   |             |                                                                                                                                                                                                                                                                                                                                                             |   |   |   |   |                |   |   |   |   |   |   |   |   |   |  |  |  |  |  |  |  |  |  |  |  |  |  |  |
|                           |                                                                                                                                                                                                                        |   |                     |   |   |   |   |                |   |   |   |             |                                                                                                                                                                                                                                                                                                                     |   |   |             |                                                                                                                                                                                                                                                                                                                                                             |   |   |   |   |                |   |   |   |   |   |   |   |   |   |  |  |  |  |  |  |  |  |  |  |  |  |  |  |
| 0                         | 0                                                                                                                                                                                                                      | 0 | 0                   | 7 | 8 | 4 | 2 | 5              |   |   |   |             |                                                                                                                                                                                                                                                                                                                     |   |   |             |                                                                                                                                                                                                                                                                                                                                                             |   |   |   |   |                |   |   |   |   |   |   |   |   |   |  |  |  |  |  |  |  |  |  |  |  |  |  |  |
|                           |                                                                                                                                                                                                                        |   |                     |   |   |   |   |                |   |   |   |             |                                                                                                                                                                                                                                                                                                                     |   |   |             |                                                                                                                                                                                                                                                                                                                                                             |   |   |   |   |                |   |   |   |   |   |   |   |   |   |  |  |  |  |  |  |  |  |  |  |  |  |  |  |
| c. Numeric to Numeric     | <table border="0" style="margin-left: 20px;"> <tr><td>1</td><td>2</td><td>7</td><td>8</td><td>4</td><td>2</td><td>5</td></tr> <tr><td> </td><td> </td><td> </td><td> </td><td> </td><td> </td><td> </td></tr> </table> | 1 | 2                   | 7 | 8 | 4 | 2 | 5              |   |   |   |             |                                                                                                                                                                                                                                                                                                                     |   |   | Before MOVE | <table border="0" style="margin-left: 20px;"> <tr><td>1</td><td>2</td><td>3</td><td>4</td><td>5</td><td>6</td><td>7</td><td>8</td><td>9</td></tr> <tr><td> </td><td> </td><td> </td><td> </td><td> </td><td> </td><td> </td><td> </td><td> </td></tr> </table>                                                                                              | 1 | 2 | 3 | 4 | 5              | 6 | 7 | 8 | 9 |   |   |   |   |   |  |  |  |  |  |  |  |  |  |  |  |  |  |  |
| 1                         | 2                                                                                                                                                                                                                      | 7 | 8                   | 4 | 2 | 5 |   |                |   |   |   |             |                                                                                                                                                                                                                                                                                                                     |   |   |             |                                                                                                                                                                                                                                                                                                                                                             |   |   |   |   |                |   |   |   |   |   |   |   |   |   |  |  |  |  |  |  |  |  |  |  |  |  |  |  |
|                           |                                                                                                                                                                                                                        |   |                     |   |   |   |   |                |   |   |   |             |                                                                                                                                                                                                                                                                                                                     |   |   |             |                                                                                                                                                                                                                                                                                                                                                             |   |   |   |   |                |   |   |   |   |   |   |   |   |   |  |  |  |  |  |  |  |  |  |  |  |  |  |  |
| 1                         | 2                                                                                                                                                                                                                      | 3 | 4                   | 5 | 6 | 7 | 8 | 9              |   |   |   |             |                                                                                                                                                                                                                                                                                                                     |   |   |             |                                                                                                                                                                                                                                                                                                                                                             |   |   |   |   |                |   |   |   |   |   |   |   |   |   |  |  |  |  |  |  |  |  |  |  |  |  |  |  |
|                           |                                                                                                                                                                                                                        |   |                     |   |   |   |   |                |   |   |   |             |                                                                                                                                                                                                                                                                                                                     |   |   |             |                                                                                                                                                                                                                                                                                                                                                             |   |   |   |   |                |   |   |   |   |   |   |   |   |   |  |  |  |  |  |  |  |  |  |  |  |  |  |  |
|                           | <table border="0" style="margin-left: 20px;"> <tr><td>1</td><td>2</td><td>7</td><td>8</td><td>4</td><td>2</td><td>5</td></tr> <tr><td> </td><td> </td><td> </td><td> </td><td> </td><td> </td><td> </td></tr> </table> | 1 | 2                   | 7 | 8 | 4 | 2 | 5              |   |   |   |             |                                                                                                                                                                                                                                                                                                                     |   |   | After MOVE  | <table border="0" style="margin-left: 20px;"> <tr><td>0</td><td>0</td><td>1</td><td>2</td><td>7</td><td>8</td><td>4</td><td>2</td><td>5</td></tr> <tr><td> </td><td> </td><td> </td><td> </td><td> </td><td> </td><td> </td><td> </td><td> </td></tr> </table>                                                                                              | 0 | 0 | 1 | 2 | 7              | 8 | 4 | 2 | 5 |   |   |   |   |   |  |  |  |  |  |  |  |  |  |  |  |  |  |  |
| 1                         | 2                                                                                                                                                                                                                      | 7 | 8                   | 4 | 2 | 5 |   |                |   |   |   |             |                                                                                                                                                                                                                                                                                                                     |   |   |             |                                                                                                                                                                                                                                                                                                                                                             |   |   |   |   |                |   |   |   |   |   |   |   |   |   |  |  |  |  |  |  |  |  |  |  |  |  |  |  |
|                           |                                                                                                                                                                                                                        |   |                     |   |   |   |   |                |   |   |   |             |                                                                                                                                                                                                                                                                                                                     |   |   |             |                                                                                                                                                                                                                                                                                                                                                             |   |   |   |   |                |   |   |   |   |   |   |   |   |   |  |  |  |  |  |  |  |  |  |  |  |  |  |  |
| 0                         | 0                                                                                                                                                                                                                      | 1 | 2                   | 7 | 8 | 4 | 2 | 5              |   |   |   |             |                                                                                                                                                                                                                                                                                                                     |   |   |             |                                                                                                                                                                                                                                                                                                                                                             |   |   |   |   |                |   |   |   |   |   |   |   |   |   |  |  |  |  |  |  |  |  |  |  |  |  |  |  |
|                           |                                                                                                                                                                                                                        |   |                     |   |   |   |   |                |   |   |   |             |                                                                                                                                                                                                                                                                                                                     |   |   |             |                                                                                                                                                                                                                                                                                                                                                             |   |   |   |   |                |   |   |   |   |   |   |   |   |   |  |  |  |  |  |  |  |  |  |  |  |  |  |  |
| d. Numeric to Character   | <table border="0" style="margin-left: 20px;"> <tr><td>1</td><td>2</td><td>7</td><td>8</td><td>4</td><td>2</td><td>5</td></tr> <tr><td> </td><td> </td><td> </td><td> </td><td> </td><td> </td><td> </td></tr> </table> | 1 | 2                   | 7 | 8 | 4 | 2 | 5              |   |   |   |             |                                                                                                                                                                                                                                                                                                                     |   |   | Before MOVE | <table border="0" style="margin-left: 20px;"> <tr><td>A</td><td>C</td><td>F</td><td>G</td><td>P</td><td>H</td><td>4</td><td>S</td><td>N</td></tr> <tr><td> </td><td> </td><td> </td><td> </td><td> </td><td> </td><td> </td><td> </td><td> </td></tr> </table>                                                                                              | A | C | F | G | P              | H | 4 | S | N |   |   |   |   |   |  |  |  |  |  |  |  |  |  |  |  |  |  |  |
| 1                         | 2                                                                                                                                                                                                                      | 7 | 8                   | 4 | 2 | 5 |   |                |   |   |   |             |                                                                                                                                                                                                                                                                                                                     |   |   |             |                                                                                                                                                                                                                                                                                                                                                             |   |   |   |   |                |   |   |   |   |   |   |   |   |   |  |  |  |  |  |  |  |  |  |  |  |  |  |  |
|                           |                                                                                                                                                                                                                        |   |                     |   |   |   |   |                |   |   |   |             |                                                                                                                                                                                                                                                                                                                     |   |   |             |                                                                                                                                                                                                                                                                                                                                                             |   |   |   |   |                |   |   |   |   |   |   |   |   |   |  |  |  |  |  |  |  |  |  |  |  |  |  |  |
| A                         | C                                                                                                                                                                                                                      | F | G                   | P | H | 4 | S | N              |   |   |   |             |                                                                                                                                                                                                                                                                                                                     |   |   |             |                                                                                                                                                                                                                                                                                                                                                             |   |   |   |   |                |   |   |   |   |   |   |   |   |   |  |  |  |  |  |  |  |  |  |  |  |  |  |  |
|                           |                                                                                                                                                                                                                        |   |                     |   |   |   |   |                |   |   |   |             |                                                                                                                                                                                                                                                                                                                     |   |   |             |                                                                                                                                                                                                                                                                                                                                                             |   |   |   |   |                |   |   |   |   |   |   |   |   |   |  |  |  |  |  |  |  |  |  |  |  |  |  |  |
|                           | <table border="0" style="margin-left: 20px;"> <tr><td>1</td><td>2</td><td>7</td><td>8</td><td>4</td><td>2</td><td>5</td></tr> <tr><td> </td><td> </td><td> </td><td> </td><td> </td><td> </td><td> </td></tr> </table> | 1 | 2                   | 7 | 8 | 4 | 2 | 5              |   |   |   |             |                                                                                                                                                                                                                                                                                                                     |   |   | After MOVE  | <table border="0" style="margin-left: 20px;"> <tr><td></td><td></td><td></td><td></td><td></td><td></td><td></td><td>1</td><td>2</td><td>7</td><td>8</td><td>4</td><td>2</td><td>5</td></tr> <tr><td> </td><td> </td><td> </td><td> </td><td> </td><td> </td><td> </td><td> </td><td> </td><td> </td><td> </td><td> </td><td> </td><td> </td></tr> </table> |   |   |   |   |                |   |   | 1 | 2 | 7 | 8 | 4 | 2 | 5 |  |  |  |  |  |  |  |  |  |  |  |  |  |  |
| 1                         | 2                                                                                                                                                                                                                      | 7 | 8                   | 4 | 2 | 5 |   |                |   |   |   |             |                                                                                                                                                                                                                                                                                                                     |   |   |             |                                                                                                                                                                                                                                                                                                                                                             |   |   |   |   |                |   |   |   |   |   |   |   |   |   |  |  |  |  |  |  |  |  |  |  |  |  |  |  |
|                           |                                                                                                                                                                                                                        |   |                     |   |   |   |   |                |   |   |   |             |                                                                                                                                                                                                                                                                                                                     |   |   |             |                                                                                                                                                                                                                                                                                                                                                             |   |   |   |   |                |   |   |   |   |   |   |   |   |   |  |  |  |  |  |  |  |  |  |  |  |  |  |  |
|                           |                                                                                                                                                                                                                        |   |                     |   |   |   | 1 | 2              | 7 | 8 | 4 | 2           | 5                                                                                                                                                                                                                                                                                                                   |   |   |             |                                                                                                                                                                                                                                                                                                                                                             |   |   |   |   |                |   |   |   |   |   |   |   |   |   |  |  |  |  |  |  |  |  |  |  |  |  |  |  |
|                           |                                                                                                                                                                                                                        |   |                     |   |   |   |   |                |   |   |   |             |                                                                                                                                                                                                                                                                                                                     |   |   |             |                                                                                                                                                                                                                                                                                                                                                             |   |   |   |   |                |   |   |   |   |   |   |   |   |   |  |  |  |  |  |  |  |  |  |  |  |  |  |  |

**Factor 2 and Result Field Same Length**

|                           | <b>Factor 2</b>                                                                                                                                                                            |   | <b>Result Field</b> |                |   |                |  |  |  |  |  |             |                                                                                                                                                                                            |   |   |   |   |                |  |  |  |  |  |
|---------------------------|--------------------------------------------------------------------------------------------------------------------------------------------------------------------------------------------|---|---------------------|----------------|---|----------------|--|--|--|--|--|-------------|--------------------------------------------------------------------------------------------------------------------------------------------------------------------------------------------|---|---|---|---|----------------|--|--|--|--|--|
| a. Character to Character | <table border="0" style="margin-left: 20px;"> <tr><td>P</td><td>H</td><td>4</td><td>S</td><td>N</td></tr> <tr><td> </td><td> </td><td> </td><td> </td><td> </td></tr> </table>             | P | H                   | 4              | S | N              |  |  |  |  |  | Before MOVE | <table border="0" style="margin-left: 20px;"> <tr><td>5</td><td>6</td><td>7</td><td>8</td><td>4</td></tr> <tr><td> </td><td> </td><td> </td><td> </td><td> </td></tr> </table>             | 5 | 6 | 7 | 8 | 4              |  |  |  |  |  |
| P                         | H                                                                                                                                                                                          | 4 | S                   | N              |   |                |  |  |  |  |  |             |                                                                                                                                                                                            |   |   |   |   |                |  |  |  |  |  |
|                           |                                                                                                                                                                                            |   |                     |                |   |                |  |  |  |  |  |             |                                                                                                                                                                                            |   |   |   |   |                |  |  |  |  |  |
| 5                         | 6                                                                                                                                                                                          | 7 | 8                   | 4              |   |                |  |  |  |  |  |             |                                                                                                                                                                                            |   |   |   |   |                |  |  |  |  |  |
|                           |                                                                                                                                                                                            |   |                     |                |   |                |  |  |  |  |  |             |                                                                                                                                                                                            |   |   |   |   |                |  |  |  |  |  |
|                           | <table border="0" style="margin-left: 20px;"> <tr><td>P</td><td>H</td><td>4</td><td>S</td><td>N</td></tr> <tr><td> </td><td> </td><td> </td><td> </td><td> </td></tr> </table>             | P | H                   | 4              | S | N              |  |  |  |  |  | After MOVE  | <table border="0" style="margin-left: 20px;"> <tr><td>P</td><td>H</td><td>4</td><td>S</td><td>N</td></tr> <tr><td> </td><td> </td><td> </td><td> </td><td> </td></tr> </table>             | P | H | 4 | S | N              |  |  |  |  |  |
| P                         | H                                                                                                                                                                                          | 4 | S                   | N              |   |                |  |  |  |  |  |             |                                                                                                                                                                                            |   |   |   |   |                |  |  |  |  |  |
|                           |                                                                                                                                                                                            |   |                     |                |   |                |  |  |  |  |  |             |                                                                                                                                                                                            |   |   |   |   |                |  |  |  |  |  |
| P                         | H                                                                                                                                                                                          | 4 | S                   | N              |   |                |  |  |  |  |  |             |                                                                                                                                                                                            |   |   |   |   |                |  |  |  |  |  |
|                           |                                                                                                                                                                                            |   |                     |                |   |                |  |  |  |  |  |             |                                                                                                                                                                                            |   |   |   |   |                |  |  |  |  |  |
| b. Character to Numeric   | <table border="0" style="margin-left: 20px;"> <tr><td>P</td><td>H</td><td>4</td><td>S</td><td>N</td></tr> <tr><td> </td><td> </td><td> </td><td> </td><td> </td></tr> </table>             | P | H                   | 4              | S | N              |  |  |  |  |  | Before MOVE | <table border="0" style="margin-left: 20px;"> <tr><td>5</td><td>6</td><td>7</td><td>8</td><td>4</td></tr> <tr><td> </td><td> </td><td> </td><td> </td><td> </td></tr> </table>             | 5 | 6 | 7 | 8 | 4              |  |  |  |  |  |
| P                         | H                                                                                                                                                                                          | 4 | S                   | N              |   |                |  |  |  |  |  |             |                                                                                                                                                                                            |   |   |   |   |                |  |  |  |  |  |
|                           |                                                                                                                                                                                            |   |                     |                |   |                |  |  |  |  |  |             |                                                                                                                                                                                            |   |   |   |   |                |  |  |  |  |  |
| 5                         | 6                                                                                                                                                                                          | 7 | 8                   | 4              |   |                |  |  |  |  |  |             |                                                                                                                                                                                            |   |   |   |   |                |  |  |  |  |  |
|                           |                                                                                                                                                                                            |   |                     |                |   |                |  |  |  |  |  |             |                                                                                                                                                                                            |   |   |   |   |                |  |  |  |  |  |
|                           | <table border="0" style="margin-left: 20px;"> <tr><td>P</td><td>H</td><td>4</td><td>S</td><td>N</td></tr> <tr><td> </td><td> </td><td> </td><td> </td><td> </td></tr> </table>             | P | H                   | 4              | S | N              |  |  |  |  |  | After MOVE  | <table border="0" style="margin-left: 20px;"> <tr><td>7</td><td>8</td><td>4</td><td>2</td><td>5<sup>-</sup></td></tr> <tr><td> </td><td> </td><td> </td><td> </td><td> </td></tr> </table> | 7 | 8 | 4 | 2 | 5 <sup>-</sup> |  |  |  |  |  |
| P                         | H                                                                                                                                                                                          | 4 | S                   | N              |   |                |  |  |  |  |  |             |                                                                                                                                                                                            |   |   |   |   |                |  |  |  |  |  |
|                           |                                                                                                                                                                                            |   |                     |                |   |                |  |  |  |  |  |             |                                                                                                                                                                                            |   |   |   |   |                |  |  |  |  |  |
| 7                         | 8                                                                                                                                                                                          | 4 | 2                   | 5 <sup>-</sup> |   |                |  |  |  |  |  |             |                                                                                                                                                                                            |   |   |   |   |                |  |  |  |  |  |
|                           |                                                                                                                                                                                            |   |                     |                |   |                |  |  |  |  |  |             |                                                                                                                                                                                            |   |   |   |   |                |  |  |  |  |  |
| c. Numeric to Numeric     | <table border="0" style="margin-left: 20px;"> <tr><td>7</td><td>8</td><td>4</td><td>2</td><td>5<sup>-</sup></td></tr> <tr><td> </td><td> </td><td> </td><td> </td><td> </td></tr> </table> | 7 | 8                   | 4              | 2 | 5 <sup>-</sup> |  |  |  |  |  | Before MOVE | <table border="0" style="margin-left: 20px;"> <tr><td>A</td><td>L</td><td>T</td><td>5</td><td>F</td></tr> <tr><td> </td><td> </td><td> </td><td> </td><td> </td></tr> </table>             | A | L | T | 5 | F              |  |  |  |  |  |
| 7                         | 8                                                                                                                                                                                          | 4 | 2                   | 5 <sup>-</sup> |   |                |  |  |  |  |  |             |                                                                                                                                                                                            |   |   |   |   |                |  |  |  |  |  |
|                           |                                                                                                                                                                                            |   |                     |                |   |                |  |  |  |  |  |             |                                                                                                                                                                                            |   |   |   |   |                |  |  |  |  |  |
| A                         | L                                                                                                                                                                                          | T | 5                   | F              |   |                |  |  |  |  |  |             |                                                                                                                                                                                            |   |   |   |   |                |  |  |  |  |  |
|                           |                                                                                                                                                                                            |   |                     |                |   |                |  |  |  |  |  |             |                                                                                                                                                                                            |   |   |   |   |                |  |  |  |  |  |
|                           | <table border="0" style="margin-left: 20px;"> <tr><td>7</td><td>8</td><td>4</td><td>2</td><td>5<sup>-</sup></td></tr> <tr><td> </td><td> </td><td> </td><td> </td><td> </td></tr> </table> | 7 | 8                   | 4              | 2 | 5 <sup>-</sup> |  |  |  |  |  | After MOVE  | <table border="0" style="margin-left: 20px;"> <tr><td>7</td><td>8</td><td>4</td><td>2</td><td>5<sup>-</sup></td></tr> <tr><td> </td><td> </td><td> </td><td> </td><td> </td></tr> </table> | 7 | 8 | 4 | 2 | 5 <sup>-</sup> |  |  |  |  |  |
| 7                         | 8                                                                                                                                                                                          | 4 | 2                   | 5 <sup>-</sup> |   |                |  |  |  |  |  |             |                                                                                                                                                                                            |   |   |   |   |                |  |  |  |  |  |
|                           |                                                                                                                                                                                            |   |                     |                |   |                |  |  |  |  |  |             |                                                                                                                                                                                            |   |   |   |   |                |  |  |  |  |  |
| 7                         | 8                                                                                                                                                                                          | 4 | 2                   | 5 <sup>-</sup> |   |                |  |  |  |  |  |             |                                                                                                                                                                                            |   |   |   |   |                |  |  |  |  |  |
|                           |                                                                                                                                                                                            |   |                     |                |   |                |  |  |  |  |  |             |                                                                                                                                                                                            |   |   |   |   |                |  |  |  |  |  |
| d. Numeric to Character   | <table border="0" style="margin-left: 20px;"> <tr><td>7</td><td>8</td><td>4</td><td>2</td><td>5<sup>-</sup></td></tr> <tr><td> </td><td> </td><td> </td><td> </td><td> </td></tr> </table> | 7 | 8                   | 4              | 2 | 5 <sup>-</sup> |  |  |  |  |  | Before MOVE | <table border="0" style="margin-left: 20px;"> <tr><td>A</td><td>L</td><td>T</td><td>5</td><td>F</td></tr> <tr><td> </td><td> </td><td> </td><td> </td><td> </td></tr> </table>             | A | L | T | 5 | F              |  |  |  |  |  |
| 7                         | 8                                                                                                                                                                                          | 4 | 2                   | 5 <sup>-</sup> |   |                |  |  |  |  |  |             |                                                                                                                                                                                            |   |   |   |   |                |  |  |  |  |  |
|                           |                                                                                                                                                                                            |   |                     |                |   |                |  |  |  |  |  |             |                                                                                                                                                                                            |   |   |   |   |                |  |  |  |  |  |
| A                         | L                                                                                                                                                                                          | T | 5                   | F              |   |                |  |  |  |  |  |             |                                                                                                                                                                                            |   |   |   |   |                |  |  |  |  |  |
|                           |                                                                                                                                                                                            |   |                     |                |   |                |  |  |  |  |  |             |                                                                                                                                                                                            |   |   |   |   |                |  |  |  |  |  |
|                           | <table border="0" style="margin-left: 20px;"> <tr><td>7</td><td>8</td><td>4</td><td>2</td><td>5<sup>-</sup></td></tr> <tr><td> </td><td> </td><td> </td><td> </td><td> </td></tr> </table> | 7 | 8                   | 4              | 2 | 5 <sup>-</sup> |  |  |  |  |  | After MOVE  | <table border="0" style="margin-left: 20px;"> <tr><td>7</td><td>8</td><td>4</td><td>2</td><td>5<sup>-</sup></td></tr> <tr><td> </td><td> </td><td> </td><td> </td><td> </td></tr> </table> | 7 | 8 | 4 | 2 | 5 <sup>-</sup> |  |  |  |  |  |
| 7                         | 8                                                                                                                                                                                          | 4 | 2                   | 5 <sup>-</sup> |   |                |  |  |  |  |  |             |                                                                                                                                                                                            |   |   |   |   |                |  |  |  |  |  |
|                           |                                                                                                                                                                                            |   |                     |                |   |                |  |  |  |  |  |             |                                                                                                                                                                                            |   |   |   |   |                |  |  |  |  |  |
| 7                         | 8                                                                                                                                                                                          | 4 | 2                   | 5 <sup>-</sup> |   |                |  |  |  |  |  |             |                                                                                                                                                                                            |   |   |   |   |                |  |  |  |  |  |
|                           |                                                                                                                                                                                            |   |                     |                |   |                |  |  |  |  |  |             |                                                                                                                                                                                            |   |   |   |   |                |  |  |  |  |  |

**Note:** 4<sup>+</sup> = letter D, and 5<sup>-</sup> = letter N.

Figure 318. MOVE Operation (Part 2 of 2)

## MOVEA (Move Array)

---

### MOVEA (Move Array)

|                  |                                                              |
|------------------|--------------------------------------------------------------|
| Free-Form Syntax | (not allowed — use %SUBARR or one or more String Operations) |
|------------------|--------------------------------------------------------------|

| Code      | Factor 1 | Factor 2      | Result Field  | Indicators |   |    |
|-----------|----------|---------------|---------------|------------|---|----|
| MOVEA (P) |          | <u>Source</u> | <u>Target</u> | +          | - | ZB |

The MOVEA operation transfers character, graphic, UCS-2, or numeric values from factor 2 to the result field. (Certain restrictions apply when moving numeric values.) Factor 2 or the result field must contain an array. Factor 2 and the result field cannot specify the same array even if the array is indexed. You can:

- Move several contiguous array elements to a single field
- Move a single field to several contiguous array elements
- Move contiguous array elements to contiguous elements of another array.

Movement of data starts with the first element of an array if the array is not indexed or with the element specified if the array is indexed. The movement of data ends when the last array element is moved or filled. When the result field contains the indicator array, all indicators affected by the MOVEA operation are noted in the cross-reference listing.

The coding for and results of MOVEA operations are shown in Figure 319 on page 691.

For more information, see “Array Operations” on page 402, “Move Operations” on page 422, or “Date Operations” on page 412.

### Character, graphic, and UCS-2 MOVEA Operations

Both factor 2 and the result field must be the same type - either character, graphic, or UCS-2. Graphic or UCS-2 CCSIDs must be the same, unless one of the CCSIDs is 65535, or in the case of graphic fields, CCSID(\*GRAPH: \*IGNORE) was specified on the control specification.

On a character, graphic, or UCS-2 MOVEA operation, movement of data ends when the number of characters moved equals the shorter length of the fields specified by factor 2 and the result field; therefore, the MOVEA operation could end in the middle of an array element. Variable-length arrays are not allowed.

### Numeric MOVEA Operations

Moves are only valid between fields and array elements with the same numeric length defined. Factor 2 and the result field entries can specify numeric fields, numeric array elements, or numeric arrays; at least one must be an array or array element. The numeric types can be binary, packed decimal, or zoned decimal but need not be the same between factor 2 and the result field.

Factor 2 can contain a numeric literal if the result field entry specifies a numeric array or numeric array-element:

- The numeric literal cannot contain a decimal point.
- The length of the numeric literal cannot be greater than the element length of the array or array element specified in the result field.



Decimal positions are ignored during the move and need not correspond. Numeric values are not converted to account for the differences in the defined number of decimal places.

The figurative constants \*BLANK, \*ALL, \*ON and \*OFF are not valid in factor 2 of a MOVEA operation on a numeric array.

**General MOVEA Operations**

If you need to use a MOVEA operation in your application, but restrictions on numeric MOVEA operations prevent you, you might be able to use character MOVEA operations. If the numeric array is in zoned decimal format:

- Define the numeric array as a subfield of a data structure
- Redefine the numeric array in the data structure as a character array.

If a figurative constant is specified with MOVEA, the length of the constant generated is equal to the portion of the array specified. For figurative constants in numeric arrays, the element boundaries are ignored except for the sign that is put in each array element. Examples are:

- MOVEA \*BLANK ARR(X)  
Beginning with element X, the remainder of ARR will contain blanks.
- MOVEA \*ALL'XYZ' ARR(X)  
ARR has 4-byte character elements. Element boundaries are ignored, as is always the case with character MOVEA. Beginning with element X, the remainder of the array will contain 'XYZXYZXYZXYZ. . .'

For character, graphic, UCS-2, and numeric MOVEA operations, you can specify a P operation extender to pad the result from the right.

For further information on the MOVEA operation, see "Move Operations" on page 422.

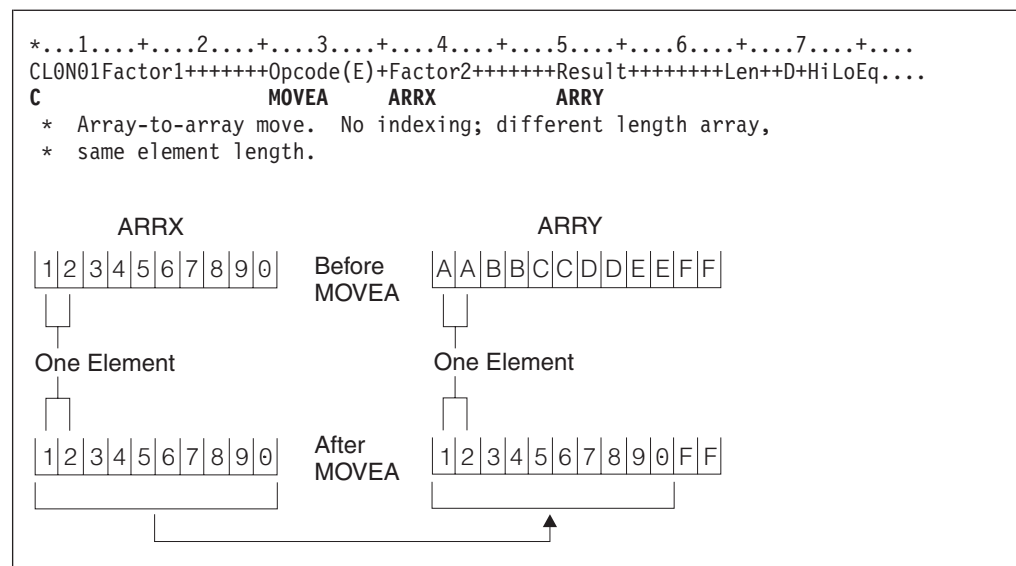


Figure 319. MOVEA Operation (Part 1 of 10)

## MOVEA (Move Array)

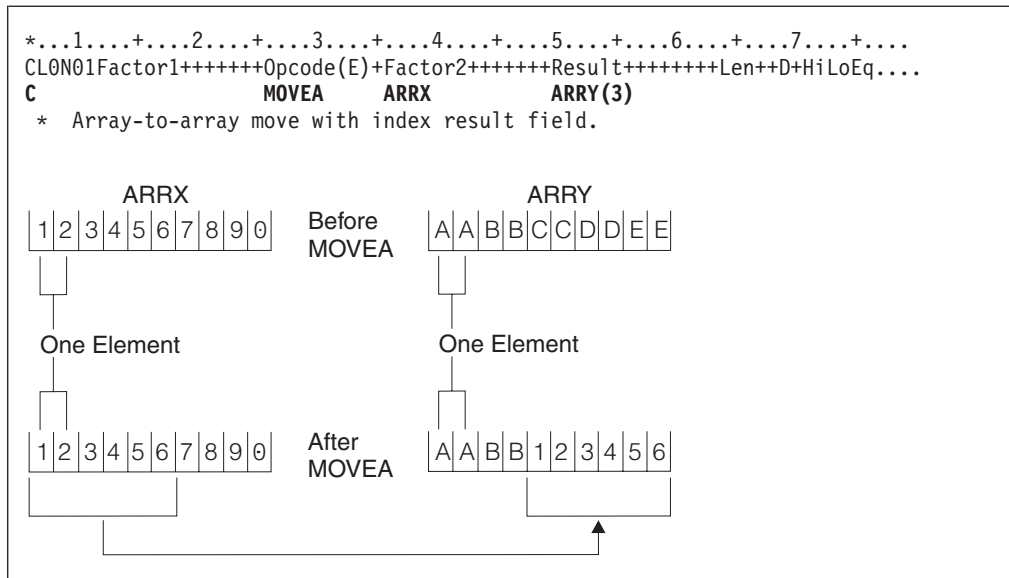


Figure 319. MOVEA Operation (Part 2 of 10)

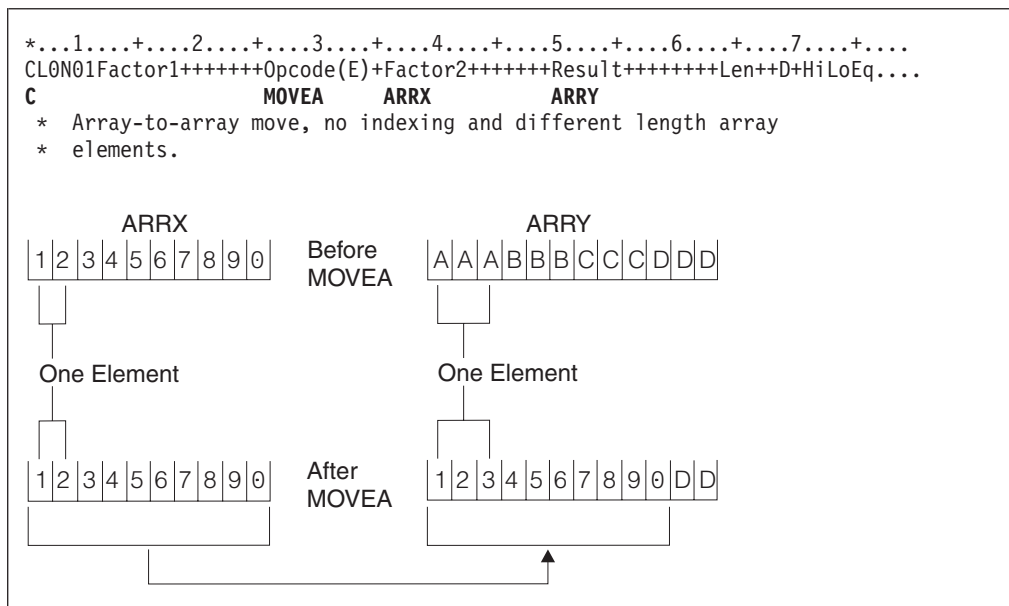


Figure 319. MOVEA Operation (Part 3 of 10)

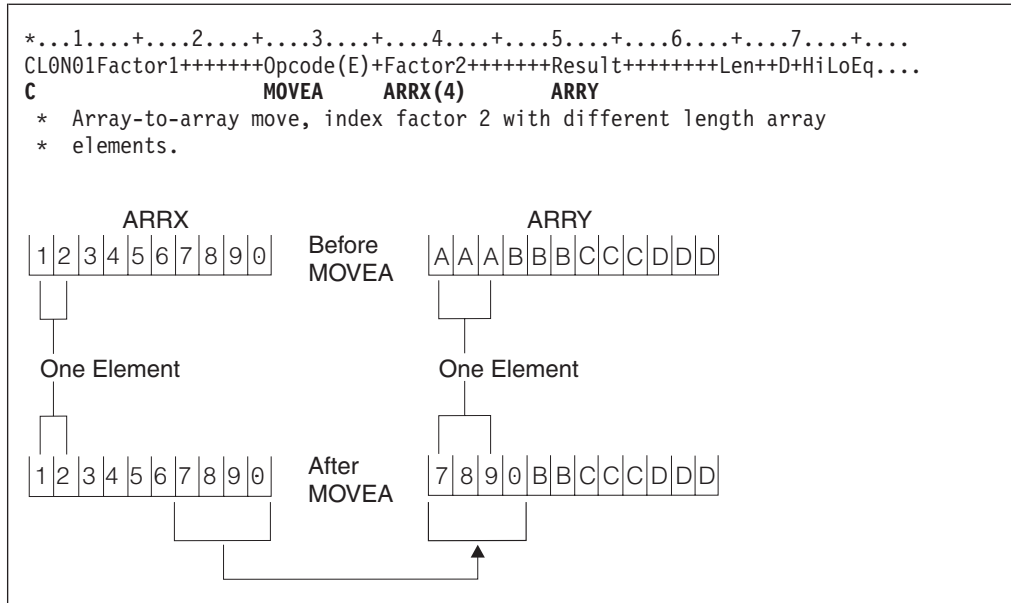


Figure 319. MOVEA Operation (Part 4 of 10)

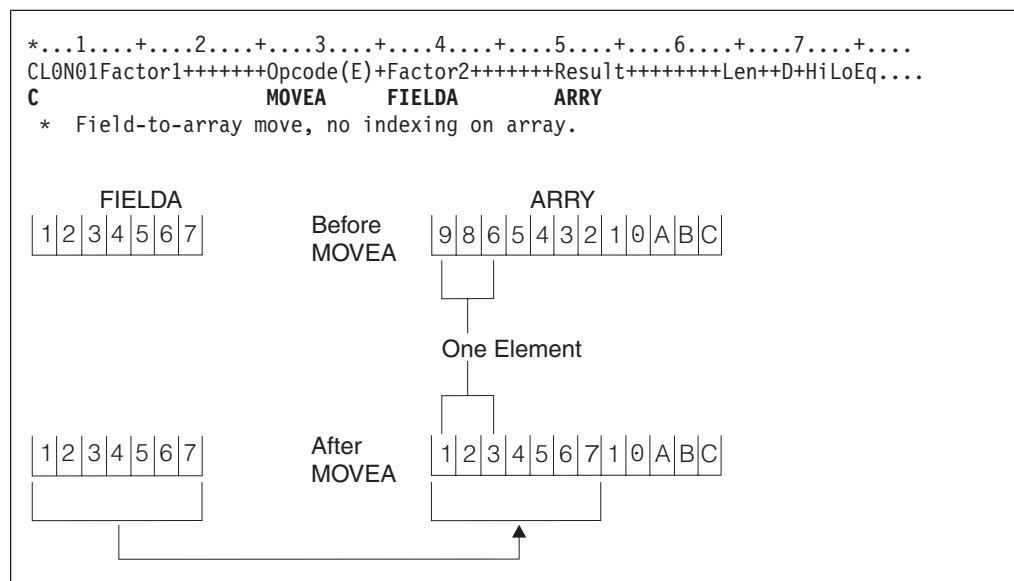


Figure 319. MOVEA Operation (Part 5 of 10)

## MOVEA (Move Array)

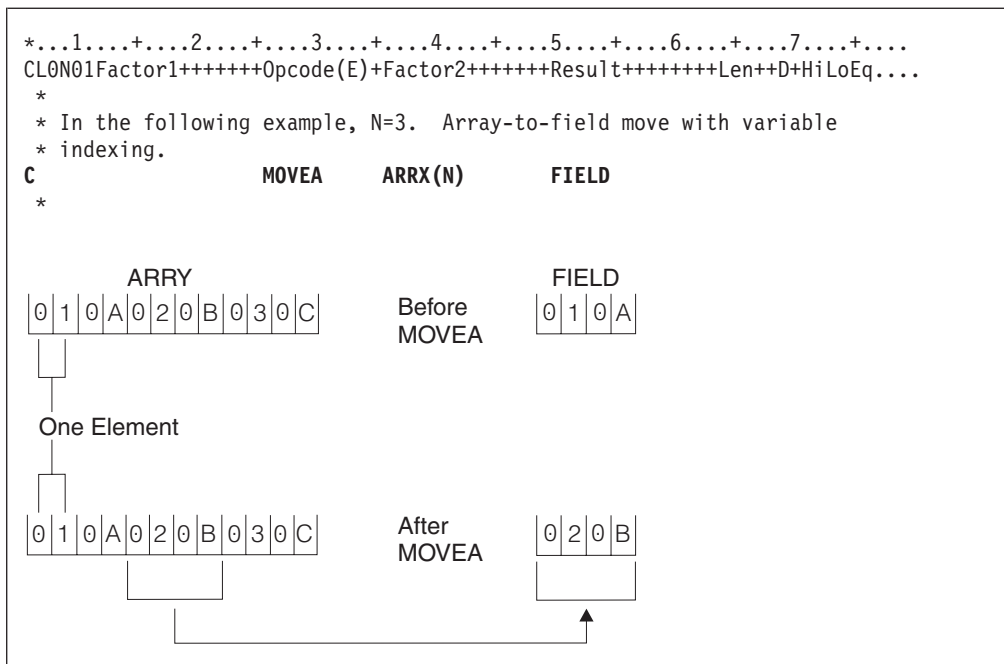


Figure 319. MOVEA Operation (Part 6 of 10)

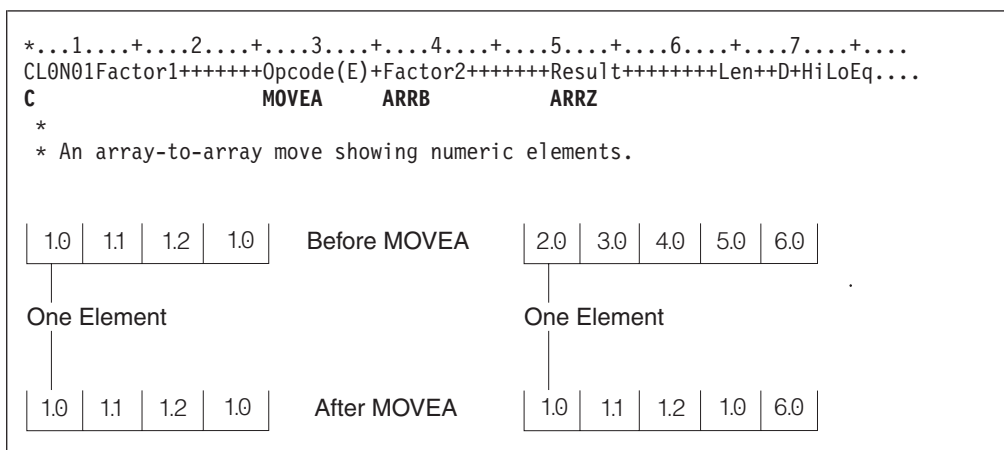


Figure 319. MOVEA Operation (Part 7 of 10)

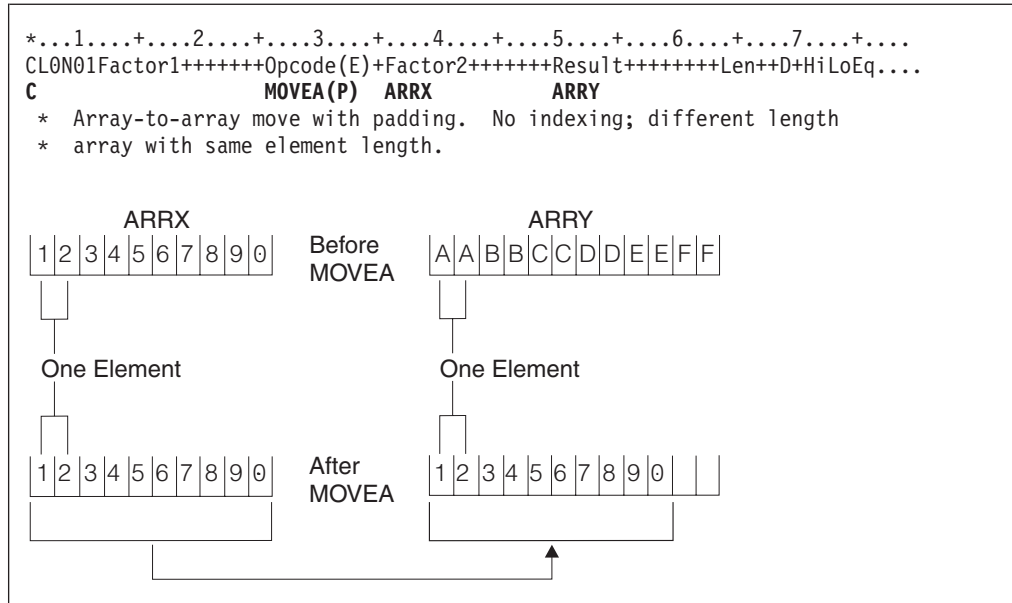


Figure 319. MOVEA Operation (Part 8 of 10)

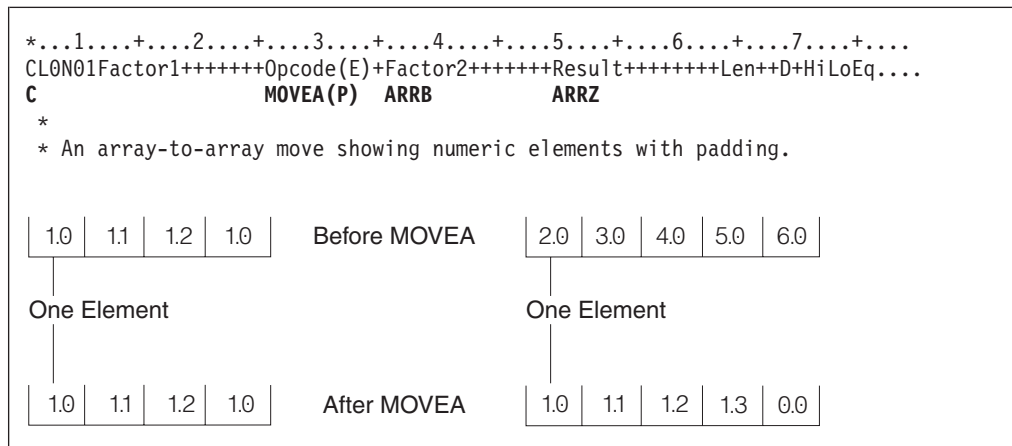


Figure 319. MOVEA Operation (Part 9 of 10)

## MOVEA (Move Array)

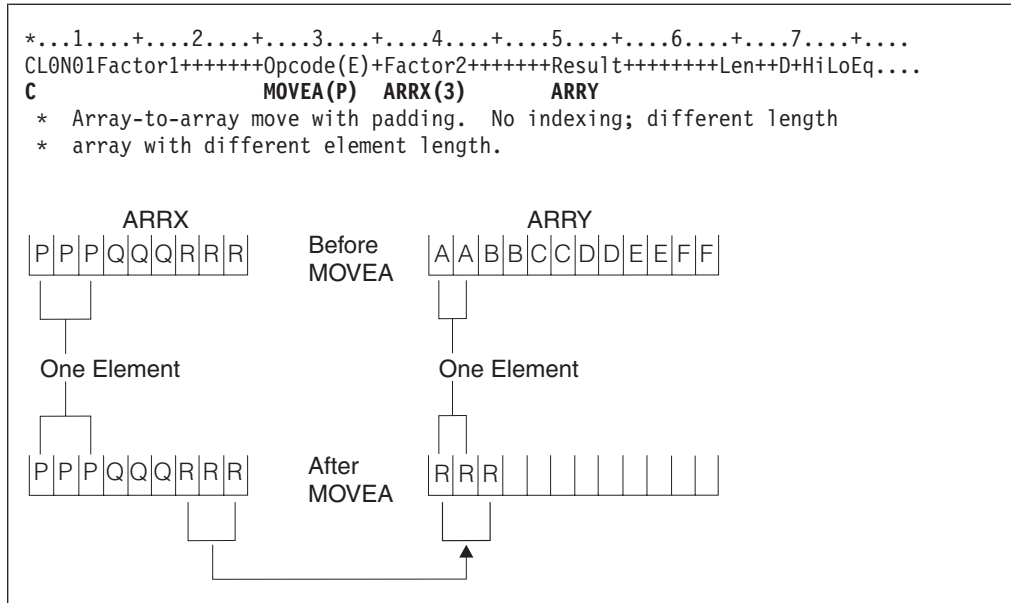


Figure 319. MOVEA Operation (Part 10 of 10)

## MOVEL (Move Left)

|                  |                                                                                                                                                  |
|------------------|--------------------------------------------------------------------------------------------------------------------------------------------------|
| Free-Form Syntax | not allowed - use EVAL, or built-in functions such as %CHAR, %DATE, %DEC , %DECH, %GRAPH, %INT, %INTH, %TIME, %TIMESTAMP , %UCS2, %UNS, or %UNSH |
|------------------|--------------------------------------------------------------------------------------------------------------------------------------------------|

| Code      | Factor 1        | Factor 2            | Result Field        | Indicators |   |    |
|-----------|-----------------|---------------------|---------------------|------------|---|----|
| MOVEL (P) | Data Attributes | <u>Source field</u> | <u>Target field</u> | +          | - | ZB |

The MOVEL operation transfers characters from factor 2 to the result field. Moving begins with the leftmost character in factor 2. You cannot specify resulting indicators if the result field is an array. You can specify them if the result field is an array element, or a non-array field.

When data is moved to a numeric field, the sign (+ or -) of the result field is retained except when factor 2 is as long as or longer than the result field. In this case, the sign of factor 2 is used as the sign of the result field.

Factor 1 can contain a date or time format to specify the format of a character or numeric field that is the source or target of the operation. For information on the formats that can be used see “Date Data Type” on page 195, “Time Data Type” on page 198, and “Timestamp Data Type” on page 199.

If the source or target is a character field, you may optionally indicate the separator following the format in factor 1. Only separators that are valid for that format are allowed.

If factor 2 is \*DATE or UDATE and the result is a Date field, factor 1 is not required. If factor 1 contains a date format it must be compatible with the format of \*DATE or UDATE in factor 2 as specified by the DATEDIT keyword on the control specification.

If factor 2 is longer than the result field, the excess rightmost characters of factor 2 are not moved. If the result field is longer than factor 2, the excess rightmost characters in the result field are unchanged, unless padding is specified.

Float numeric fields and literals are not allowed as Factor 2 or Result-Field entries.

If factor 2 is UCS-2 and the result field is character, or if factor 2 is character and the result field is UCS-2, the number of characters moved is variable since the character data may or may not contain shift characters and graphic characters. For example, five UCS-2 characters can convert to:

- Five single-byte characters
- Five double-byte characters
- A combination of single-byte and double-byte characters with shift characters separating the modes

If the resulting data is too long to fit the result field, the data will be truncated. If the result is single-byte character, it is the responsibility of the user to ensure that the result contains complete characters, and contains matched SO/SI pairs.

The MOVEL operation is summarized in Figure 320 on page 700.

## MOVE (Move Left)

A summary of the rules for MOVE operation for four conditions based on field lengths:

1. Factor 2 is the same length as the result field:
  - a. If factor 2 and the result field are numeric, the sign is moved into the rightmost position.
  - b. If factor 2 is numeric and the result field is character, the sign is moved into the rightmost position.
  - c. If factor 2 is character and the result field is numeric, a minus zone is moved into the rightmost position of the result field if the zone from the rightmost position of factor 2 is a hexadecimal D (minus zone). However, if the zone from the rightmost position of factor 2 is not a hexadecimal D, a positive zone is moved into the rightmost position of the result field. Digit portions are converted to their corresponding numeric characters. If the digit portions are not valid digits, a data exception error occurs.
  - d. If factor 2 and the result field are character, all characters are moved.
  - e. If factor 2 and the result field are both graphic or UCS-2, all graphic or UCS-2 characters are moved.
  - f. If factor 2 is graphic and the result field is character, one graphic character will be lost, because 2 positions (bytes) in the character result field will be used to hold the SO/SI inserted by the compiler.
  - g. If factor 2 is character and the result field is graphic, the factor 2 character data must be completely enclosed by one single pair of SO/SI. The SO/SI will be removed by the compiler before moving the data to the graphic result field.
2. Factor 2 is longer than the result field:
  - a. If factor 2 and the result field are numeric, the sign from the rightmost position of factor 2 is moved into the rightmost position of the result field.
  - b. If factor 2 is numeric and the result field is character, the result field contains only numeric characters.
  - c. If factor 2 is character and the result field is numeric, a minus zone is moved into the rightmost position of the result field if the zone from the rightmost position of factor 2 is a hexadecimal D (minus zone). However, if the zone from the rightmost position of factor 2 is not a hexadecimal D, a positive zone is moved into the rightmost position of the result field. Other result field positions contain only numeric characters.
  - d. If factor 2 and the result field are character, only the number of characters needed to fill the result field are moved.
  - e. If factor 2 and the result field are graphic or UCS-2, only the number of graphic or UCS-2 characters needed to fill the result field are moved.
  - f. If factor 2 is graphic and the result field is character, the graphic data will be truncated and SO/SI will be inserted by the compiler.
  - g. If factor 2 is character and the result is graphic, the character data will be truncated. The character data must be completely enclosed by one single pair of SO/SI.
3. Factor 2 is shorter than the result field:
  - a. If factor 2 is either numeric or character and the result field is numeric, the digit portion of factor 2 replaces the contents of the leftmost positions of the result field. The sign in the rightmost position of the result field is not changed.



- b. If factor 2 is either numeric or character and the result field is character data, the characters in factor 2 replace the equivalent number of leftmost positions in the result field. No change is made in the zone of the rightmost position of the result field.
  - c. If factor 2 is graphic and the result field is character, the SO/SI are added immediately before and after the graphic data. This may cause unbalanced SO/SI in the character field due to residual data in the field, but this is users' responsibility.
  - d. Notice that when moving from a character to graphic field, the entire character field should be enclosed in SO/SI. For example, if the character field length is 8, the character data in the field should be "oAABBbbi" and not "oAABBbb".
4. Factor 2 is shorter than the result field and P is specified in the operation extender field:
    - a. The move is performed as described above.
    - b. The result field is padded from the right. See "Move Operations" on page 422 for more information on the rules for padding.

When moving **variable-length** character, graphic, or UCS-2 data, the variable-length field works in exactly the same way as a fixed-length field with the same current length. A MOVE operation does not change the length of a variable-length result field. For examples, see Figures 323 to 328.

For further information on the MOVE operation, see "Move Operations" on page 422, "Date Operations" on page 412, or "Conversion Operations" on page 410.

# MOVE (Move Left)

## Factor 2 and Result Field Same Length

|    | Factor 2  |           | Result Field |           |
|----|-----------|-----------|--------------|-----------|
| a. | Numeric   | 7 8 4 2 5 | Before MOVE  | 5 6 7 8 4 |
|    | to        | 7 8 4 2 5 |              |           |
|    | Numeric   | 7 8 4 2 5 | After MOVE   | 7 8 4 2 5 |
| b. | Numeric   | 7 8 4 2 5 | Before MOVE  | A K T 4 D |
|    | to        | 7 8 4 2 5 |              |           |
|    | Character | 7 8 4 2 5 | After MOVE   | 7 8 4 2 N |
| c. | Character | P H 4 S N | Before MOVE  | 5 6 7 8 4 |
|    | to        | P H 4 S N |              |           |
|    | Numeric   | P H 4 S N | After MOVE   | 7 8 4 2 5 |
| d. | Character | P H 4 S N | Before MOVE  | A K T 4 D |
|    | to        | P H 4 S N |              |           |
|    | Character | P H 4 S N | After MOVE   | P H 4 S N |

## Factor 2 Longer Than Result Field

|    | Factor 2  |                   | Result Field |           |
|----|-----------|-------------------|--------------|-----------|
| a. | Numeric   | 0 0 0 2 5 8 4 2 5 | Before MOVE  | 5 6 7 8 4 |
|    | to        | 0 0 0 2 5 8 4 2 5 |              |           |
|    | Numeric   | 0 0 0 2 5 8 4 2 5 | After MOVE   | 0 0 0 2 5 |
| b. | Numeric   | 9 0 3 1 7 8 4 2 5 | Before MOVE  | A K T 4 D |
|    | to        | 9 0 3 1 7 8 4 2 5 |              |           |
|    | Character | 9 0 3 1 7 8 4 2 5 | After MOVE   | 9 0 3 1 7 |
| c. | Character | B R W C X H 4 S N | Before MOVE  | 5 6 7 8 4 |
|    | to        | B R W C X H 4 S N |              |           |
|    | Numeric   | B R W C X H 4 S N | After MOVE   | 2 9 6 3 7 |
| d. | Character | B R W C X H 4 S N | Before MOVE  | A K T 4 D |
|    | to        | B R W C X H 4 S N |              |           |
|    | Character | B R W C X H 4 S N | After MOVE   | B R W C X |

Figure 320. MOVE Operation (Part 1 of 2)

**Factor 2 Shorter Than Result Field**

|    |                        | Factor 2   |              | Result Field                   |
|----|------------------------|------------|--------------|--------------------------------|
| a. | Numeric to Numeric     | 7 8 4 2 5̄ | Before MOVEL | 1↓3 0 9 4 3 2 1 0 <sup>+</sup> |
|    |                        | 7 8 4 2 5̄ | After MOVEL  | 7↓8 4 2 5 3 2 1 0 <sup>+</sup> |
|    | Character to Numeric   | C P T 5 N  | Before MOVEL | 1 3 0 9 4 3 2 1 0 <sup>+</sup> |
|    |                        | C P T 5 N  | After MOVEL  | 3 7 3 5 5 3 2 1 0 <sup>+</sup> |
| b. | Numeric to Character   | 7 8 4 2 5̄ | Before MOVEL | B R W C X H 4 S A              |
|    |                        | 7 8 4 2 5̄ | After MOVEL  | 7 8 4 2 N H 4 S A              |
|    | Character to Character | C P T 5 N  | Before MOVEL | B R W C X H 4 S A              |
|    |                        | C P T 5 N  | After MOVEL  | C P T 5 N H 4 S A              |

**Note:** 4<sup>+</sup> = letter D, and 5<sup>-</sup> = letter N; arrow ↓ is decimal point.

**Factor 2 Shorter Than Result Field With P in Operation Extender Field**

|    |                        | Factor 2   |              | Result Field                   |
|----|------------------------|------------|--------------|--------------------------------|
| a. | Numeric to Numeric     | 7 8 4 2 5̄ | Before MOVEL | 1↓3 0 9 4 3 2 1 0 <sup>+</sup> |
|    |                        | 7 8 4 2 5̄ | After MOVEL  | 7↓8 4 2 5 0 0 0 0 <sup>+</sup> |
|    | Character to Numeric   | C P T 5 N  | Before MOVEL | 1 3 0 9 4 3 2 1 0 <sup>+</sup> |
|    |                        | C P T 5 N  | After MOVEL  | 3 7 3 5 5 0 0 0 0 <sup>+</sup> |
| b. | Numeric to Character   | 7 8 4 2 5̄ | Before MOVEL | B R W C X H 4 S A              |
|    |                        | 7 8 4 2 5̄ | After MOVEL  | 7 8 4 2 N H 4 S A              |
|    | Character to Character | C P T 5 N  | Before MOVEL | B R W C X H 4 S A              |
|    |                        | C P T 5 N  | After MOVEL  | C P T 5 N                      |

**Note:** 4<sup>+</sup> = letter D, and 5<sup>-</sup> = letter N; arrow ↓ is decimal point.

Figure 320. MOVEL Operation (Part 2 of 2)

## MOVE (Move Left)

```

*...1....+...2....+...3....+...4....+...5....+...6....+...7....+...
DName+++++++ETDsFrom+++To/L+++IDc.Functions+++++++
D
*
* Example of MOVE between graphic and character fields
*
D char_fld1 S 8A inz(' ')
D dbcs_fld1 S 4G inz('oAABBCCDi')
D char_fld2 S 4A inz(' ')
D dbcs_fld2 S 3G inz(G'oAABBCCi')
D char_fld3 S 10A inz(*ALL'X')
D dbcs_fld3 S 3G inz(G'oAABBCCi')
D char_fld4 S 10A inz('oAABBCC i')
D dbcs_fld4 S 2G
*
*
CL0N01Factor1+++++Opcode(E)+Factor2+++++Result+++++Len++D+HiLoEq..
*
* The result field length is equal to the factor 2 length in bytes.
* One DBCS character is lost due to insertion of SO/SI.
* Value of char_fld1 after MOVE operation is 'oAABBCCi'
*
C MOVE dbcs_fld1 char_fld1
*
* Result field length shorter than factor 2 length. Truncation occurs.
* Value of char_fld2 after MOVE operation is 'oAAi'
*
C MOVE dbcs_fld2 char_fld2
*
* Result field length longer than factor 2 length. Example shows
* SO/SI are added immediately before and after graphic data.
* Before the MOVE, Result Field contains 'XXXXXXXXXX'
* Value of char_fld3 after MOVE operation is 'oAABBCCiXX'
*
C MOVE dbcs_fld3 char_fld3
*
* Character to Graphic MOVE
* Result Field shorter than Factor 2. Truncation occurs.
* Value of dbcs_fld4 after MOVE operation is 'AABB'
*
C MOVE char_fld4 dbcs_fld4

```

Figure 321. MOVE between character and graphic fields

```

*...1....+....2....+....3....+....4....+....5....+....6....+....7....+....
HKeywords+++++
*
* Example of MOVEL between character and date fields
*
* Control specification date format
H DATFMT(*MDY)
*
DName+++++ETDsFrom+++To/L+++IDc.Functions+++++
D datefld S D INZ(D'04/15/96')
D char_fld1 S 8A INZ('XXXXXXXXXX')
D char_fld2 S 10A INZ('XXXXXXXXXX')
D char_fld3 S 10A INZ('04/15/96XX')
D date_fld3 S D INZ('XXXXXXXXXX')
D char_fld4 S 10A INZ('XXXXXXXXXX')
D char_fld5 S 9A INZ('015/04/50')
D date_fld2 S D INZ(D'11/16/10')
*
*
CL0N01Factor1+++++Opcode(E)+Factor2+++++Result+++++Len++D+H1LoEq..
* Date to Character MOVEL
* The result field length is equal to the factor 2 length. Value of
* char_fld1 after the MOVEL operation is '04/15/96'.
C *MDY MOVEL datefld char_fld1
* Date to Character MOVEL
* The result field length is longer than the factor 2 length.
* Before MOVEL, result field contains 'XXXXXXXXXX'
* Value of char_fld2 after the MOVEL operation is '04/15/96XX'.
C *MDY MOVEL datefld char_fld2
* Character to Date MOVEL
* The result field length is shorter than the factor 2 length.
* Value of date_fld3 after the MOVEL operation is '04/15/96'.
C *MDY MOVEL char_fld3 date_fld3
* Date to Character MOVEL (no separators)
* The result field length is longer than the factor 2 length.
* Before MOVEL, result field contains 'XXXXXXXXXX'
* Value of char_fld4 after the MOVEL operation is '041596XXXX'.
C *MDY0 MOVEL datefld char_fld4
* Character to date MOVEL
* The result field length is equal to the factor 2 length.
* The value of date_fld3 after the move is 04/15/50.
C *CDMY MOVEL char_fld5 date_fld3
* Date to character MOVEL (no separators)
* The result field length is longer than the factor 2 length.
* The value of char_fld4 after the move is '2010320XXX'.
C *LONGJUL0 MOVEL date_fld2 char_fld4

```

Figure 322. MOVEL between character and date fields

## MOVEL (Move Left)

```

*...1....+....2....+....3....+....4....+....5....+....6....+....7....+....
DName+++++ETDsFrom+++To/L+++IDc.Functions+++++
*
* Example of MOVEL from variable to variable length
* for character fields
*
D var5a S 5A INZ('ABCDE') VARYING
D var5b S 5A INZ('ABCDE') VARYING
D var5c S 5A INZ('ABCDE') VARYING
D var10 S 10A INZ('0123456789') VARYING
D var15a S 15A INZ('FGH') VARYING
D var15b S 15A INZ('FGH') VARYING
*
*
CL0N01Factor1+++++0pcode(E)+Factor2+++++Result+++++Len++D+HiL
*
C MOVEL var15a var5a
* var5a = 'FGHDE' (length=5)
C MOVEL var10 var5b
* var5b = '01234' (length=5)
C MOVEL var5c var15a
* var15a = 'ABC' (length=3)
C MOVEL var10 var15b
* var15b = '012' (length=3)

```

Figure 323. MOVEL from a variable-length field to a variable-length field

```

*...1....+....2....+....3....+....4....+....5....+....6....+....7....+....
DName+++++ETDsFrom+++To/L+++IDc.Functions+++++
*
* Example of MOVEL from variable to fixed length
* for character fields
*
D var5 S 5A INZ('ABCDE') VARYING
D var10 S 10A INZ('0123456789') VARYING
D var15 S 15A INZ('FGH') VARYING
D fix5a S 5A INZ('MNO PQ')
D fix5b S 5A INZ('MNO PQ')
D fix5c S 5A INZ('MNO PQ')
D fix10 S 10A INZ('')
*
*
CL0N01Factor1+++++0pcode(E)+Factor2+++++Result+++++Len++D+HiL
*
C MOVEL var5 fix5a
* fix5a = 'ABCDE'
C MOVEL var10 fix5b
* fix5b = '01234'
C MOVEL var15 fix5c
* fix5c = 'FGHPQ'

```

Figure 324. MOVEL from a variable-length field to fixed-length field

```

*...1....+....2....+....3....+....4....+....5....+....6....+....7....+....
DName+++++ETDsFrom+++To/L+++IDc.Functions+++++
*
* Example of MOVEL from fixed to variable length
* for character fields
*
D var5 S 5A INZ('ABCDE') VARYING
D var10 S 10A INZ('0123456789') VARYING
D var15a S 15A INZ('FGHIJKLMNOPQR') VARYING
D var15b S 15A INZ('WXYZ') VARYING
D fix10 S 10A INZ('PQRSTUVWXYZ')
*
*
CL0N01Factor1+++++Opcode(E)+Factor2+++++Result+++++Len++D+HiL
*
C MOVEL fix10 var5
* var5 = 'PQRST' (length=5)
C MOVEL fix10 var10
* var10 = 'PQRSTUVWXYZ' (length=10)
C MOVEL fix10 var15a
* var15a = 'PQRSTUVWXYZPQR' (length=13)
C MOVEL fix10 var15b
* var15b = 'PQRS' (length=4)

```

Figure 325. MOVEL from a fixed-length field to variable-length field

```

*...1....+....2....+....3....+....4....+....5....+....6....+....7....+....
DName+++++ETDsFrom+++To/L+++IDc.Functions+++++
*
* Example of MOVEL(P) from variable to variable length
* for character fields
*
D var5a S 5A INZ('ABCDE') VARYING
D var5b S 5A INZ('ABCDE') VARYING
D var5c S 5A INZ('ABCDE') VARYING
D var10 S 10A INZ('0123456789') VARYING
D var15a S 15A INZ('FGH') VARYING
D var15b S 15A INZ('FGH') VARYING
D var15c S 15A INZ('FGHIJKLMN') VARYING
*
*
CL0N01Factor1+++++Opcode(E)+Factor2+++++Result+++++Len++D+HiL
*
C MOVEL(P) var15a var5a
* var5a = 'FGH ' (length=5)
C MOVEL(P) var10 var5b
* var5b = '01234' (length=5)
C MOVEL(P) var5c var15b
* var15b = 'ABC' (length=3)
C MOVEL(P) var15a var15c
* var15c = 'FGH ' (length=9)

```

Figure 326. MOVEL(P) from a variable-length field to a variable-length field

## MOVEL (Move Left)

```

*...1....+...2....+...3....+...4....+...5....+...6....+...7....+...
DName+++++ETDsFrom+++To/L+++IDc.Functions+++++
*
* Example of MOVEL(P) from variable to fixed length
* for character fields
*
D var5 S 5A INZ('ABCDE') VARYING
D var10 S 10A INZ('0123456789') VARYING
D var15 S 15A INZ('FGH') VARYING
D fix5a S 5A INZ('MNO PQ')
D fix5b S 5A INZ('MNO PQ')
D fix5c S 5A INZ('MNO PQ')
*
*
CL0N01Factor1+++++0pcode(E)+Factor2+++++Result+++++Len++D+HiL
*
C MOVEL(P) var5 fix5a
* fix5a = 'ABCDE'
C MOVEL(P) var10 fix5b
* fix5b = '01234'
C MOVEL(P) var15 fix5c
* fix5c = 'FGH '

```

Figure 327. MOVEL(P) from a variable-length field to fixed-length field

```

*...1....+...2....+...3....+...4....+...5....+...6....+...7....+...
DName+++++ETDsFrom+++To/L+++IDc.Functions+++++
*
* Example of MOVEL(P) from fixed to variable length
* for character fields
*
D var5 S 5A INZ('ABCDE') VARYING
D var10 S 10A INZ('0123456789') VARYING
D var15a S 15A INZ('FGHIJKLMNOPQR') VARYING
D var15b S 15A INZ('FGH') VARYING
D fix5 S 10A INZ('.....')
D fix10 S 10A INZ('PQRSTUVWXYZ')
*
*
CL0N01Factor1+++++0pcode(E)+Factor2+++++Result+++++Len++D+HiL
*
C MOVEL(P) fix10 var5
* var5 = 'PQRST' (length=5)
C MOVEL(P) fix5 var10
* var10 = '.....' (length=10)
C MOVEL(P) fix10 var15a
* var15a = 'PQRSTUVWXYZ' (length=13)
C MOVEL(P) fix10 var15b
* var15b = 'PQR' (length=3)

```

Figure 328. MOVEL(P) from a fixed-length field to variable-length field



---

**MULT (Multiply)**

|                  |                                          |
|------------------|------------------------------------------|
| Free-Form Syntax | (not allowed - use the * or *= operator) |
|------------------|------------------------------------------|

| Code     | Factor 1     | Factor 2          | Result Field   | Indicators |   |   |
|----------|--------------|-------------------|----------------|------------|---|---|
| MULT (H) | Multiplicand | <u>Multiplier</u> | <u>Product</u> | +          | - | Z |

If factor 1 is specified, factor 1 is multiplied by factor 2 and the product is placed in the result field. Be sure that the result field is large enough to hold it. Use the following rule to determine the maximum result field length: result field length equals the length of factor 1 plus the length of factor 2. If factor 1 is not specified, factor 2 is multiplied by the result field and the product is placed in the result field. Factor 1 and factor 2 must be numeric, and each can contain one of: an array, array element, field, figurative constant, literal, named constant, subfield, or table name. The result field must be numeric, but cannot be a named constant or literal. You can specify half adjust to have the result rounded.

For further information on the MULT operation, see “Arithmetic Operations” on page 398.

See Figure 152 on page 401 for examples of the MULT operation.

## MVR (Move Remainder)

---

### MVR (Move Remainder)

|                  |                                                |
|------------------|------------------------------------------------|
| Free-Form Syntax | (not allowed - use the %REM built-in function) |
|------------------|------------------------------------------------|

| Code | Factor 1 | Factor 2 | Result Field     | Indicators |   |   |
|------|----------|----------|------------------|------------|---|---|
| MVR  |          |          | <u>Remainder</u> | +          | - | Z |

The MVR operation moves the remainder from the previous DIV operation to a separate field named in the result field. Factor 1 and factor 2 must be blank. The MVR operation must immediately follow the DIV operation. If you use conditioning indicators, ensure that the MVR operation is processed immediately after the DIV operation. If the MVR operation is processed before the DIV operation, undesirable results occur. The result field must be numeric and can contain one of: an array, array element, subfield, or table name.

Leave sufficient room in the result field if the DIV operation uses factors with decimal positions. The number of significant decimal positions is the greater of:

- The number of decimal positions in factor 1 of the previous divide operation
- The sum of the decimal positions in factor 2 and the result field of the previous divide operation.

The sign (+ or -) of the remainder is the same as the dividend (factor 1).

You cannot specify half adjust on a DIV operation that is immediately followed by an MVR operation.

The maximum number of whole number positions in the remainder is equal to the whole number of positions in factor 2 of the previous divide operation.

The MVR operation cannot be used if the previous divide operation has an array specified in the result field. Also, the MVR operation cannot be used if the previous DIV operation has at least one float operand.

For further information on the MVR operation, see "Arithmetic Operations" on page 398.

See Figure 152 on page 401 for an example of the MVR operation.

## NEXT (Next)

|                  |                                           |
|------------------|-------------------------------------------|
| Free-Form Syntax | NEXT{(E)} <i>program-device file-name</i> |
|------------------|-------------------------------------------|

| Code     | Factor 1              | Factor 2         | Result Field | Indicators |    |   |
|----------|-----------------------|------------------|--------------|------------|----|---|
| NEXT (E) | <u>program-device</u> | <u>file-name</u> |              | -          | ER | - |

The NEXT operation code forces the next input for a multiple device file to come from the program device specified by the *program-device* operand, providing the input operation is a cycle read or a READ-by-file-name. Any read operation, including CHAIN, EXFMT, READ, and READC, ends the effect of the previous NEXT operation. If NEXT is specified more than once between input operations, only the last operation is processed. The NEXT operation code can be used only for a multiple device file.

For the *program-device* operand, enter the name of a 10-character field that contains the program device name, a character literal, or named constant that is the program device name. The *file-name* operand is the name of the multiple device WORKSTN file for which the operation is requested.

To handle NEXT exceptions (file status codes greater than 1000), either the operation code extender 'E' or an error indicator ER can be specified, but not both. For more information on error handling, see "File Exception/Errors" on page 65.

For more information, see "File Operations" on page 416.

```

*...1....+....2....+....3....+....4....+....5....+....6....+....7....+....
CL0N01Factor1++++++0pcode(E)+Factor2++++++Result++++++Len++D+HiLoEq....
C
* Assume devices Dev1 and Dev2 are connected to the WORKSTN file
* DEVICEFILE. The first READ reads data from DEV1, the second READ
* reads data from DEV2. The NEXT operation will direct the program
* to wait for data from the device specified in factor 1 (i.e. DEV1)
* for the third READ.
C
C READ (E) Devicefile
C :
C READ (E) Devicefile
C :
C 'DEV1' NEXT
C :
C READ (E) Devicefile

```

Figure 329. NEXT Operations

## OCCUR (Set/Get Occurrence of a Data Structure)

---

### OCCUR (Set/Get Occurrence of a Data Structure)

|                  |                                                  |
|------------------|--------------------------------------------------|
| Free-Form Syntax | (not allowed - use the %OCCUR built-in function) |
|------------------|--------------------------------------------------|

| Code      | Factor 1         | Factor 2              | Result Field     | Indicators |    |   |
|-----------|------------------|-----------------------|------------------|------------|----|---|
| OCCUR (E) | Occurrence value | <u>Data structure</u> | Occurrence value | -          | ER | - |

The OCCUR operation code specifies the occurrence of the data structure that is to be used next within an RPG IV program.

The OCCUR operation establishes which occurrence of a multiple occurrence data structure is used next in a program. Only one occurrence can be used at a time. If a data structure with multiple occurrences or a subfield of that data structure is specified in an operation, the first occurrence of the data structure is used until an OCCUR operation is specified. After an OCCUR operation is specified, the occurrence of the data structure that was established by the OCCUR operation is used.

Factor 1 is optional; if specified, it can contain a numeric, zero decimal position literal, field name, named constant, or a data structure name. Factor 1 is used during the OCCUR operation to set the occurrence of the data structure specified in factor 2. If factor 1 is blank, the value of the current occurrence of the data structure in factor 2 is placed in the result field during the OCCUR operation.

If factor 1 is a data structure name, it must be a multiple occurrence data structure. The current occurrence of the data structure in factor 1 is used to set the occurrence of the data structure in factor 2.

Factor 2 is required and must be the name of a multiple occurrence data structure.

The result field is optional; if specified, it must be a numeric field name with no decimal positions. During the OCCUR operation, the value of the current occurrence of the data structure specified in factor 2, after being set by any value or data structure that is optionally specified in factor 1, is placed in the result field.

At least one of factor 1 or the result field must be specified.

If the occurrence is outside the valid range set for the data structure, an error occurs, and the occurrence of the data structure in factor 2 remains the same as before the OCCUR operation was processed.

To handle OCCUR exceptions (program status code 122), either the operation code extender 'E' or an error indicator ER can be specified, but not both. For more information on error handling, see "Program Exception/Errors" on page 82.

When a multiple-occurrence data structure is imported or exported, the information about the current occurrence is not imported or exported. See the "EXPORT{(external\_name)}" on page 304 and "IMPORT{(external\_name)}" on page 311 keywords for more information.

## OCCUR (Set/Get Occurrence of a Data Structure)

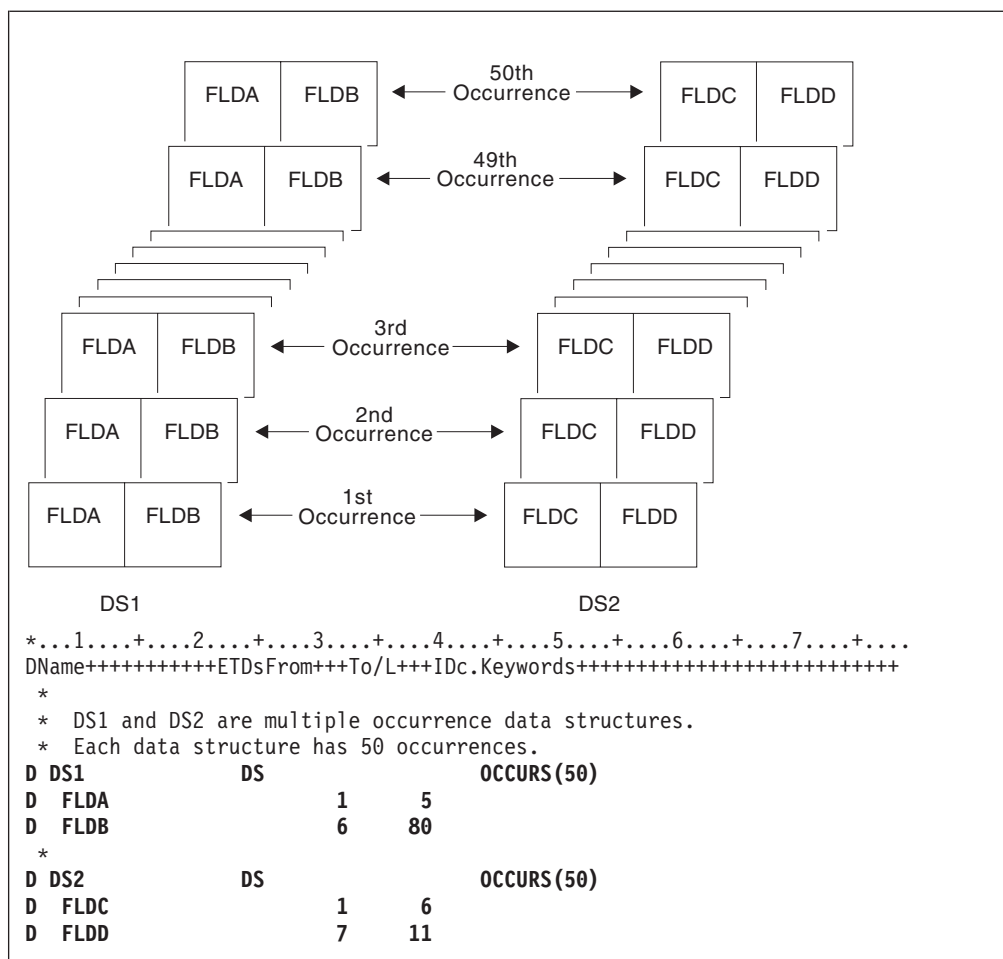


Figure 330. Uses of the OCCUR Operation (Part 1 of 2)

## OCCUR (Set/Get Occurrence of a Data Structure)

```

*...1....+....2....+....3....+....4....+....5....+....6....+....7....+....
CL0N01Factor1+++++Opcode(E)+Factor2+++++Result+++++Len++D+HiLoEq....
* DS1 is set to the third occurrence. The subfields FLDA
* and FLDB of the third occurrence can now be used. The MOVE
* and Z-ADD operations change the contents of FLDA and FLDB,
* respectively, in the third occurrence of DS1.
C
C 3 OCCUR DS1
C MOVE 'ABCDE' FLDA
C Z-ADD 22 FLDB
*
* DS1 is set to the fourth occurrence. Using the values in
* FLDA and FLDB of the fourth occurrence of DS1, the MOVE
* operation places the contents of FLDA in the result field,
* FLDX, and the Z-ADD operation places the contents of FLDB
* in the result field, FLDY.
C
C 4 OCCUR DS1
C MOVE FLDA FLDX
C Z-ADD FLDB FLDY
*
* DS1 is set to the occurrence specified in field X.
* For example, if X = 10, DS1 is set to the tenth occurrence.
C X OCCUR DS1
*
* DS1 is set to the current occurrence of DS2. For example, if
* the current occurrence of DS2 is the twelfth occurrence, DS1
* is set to the twelfth occurrence.
C DS2 OCCUR DS1
*
* The value of the current occurrence of DS1 is placed in the
* result field, Z. Field Z must be numeric with zero decimal
* positions. For example, if the current occurrence of DS1
* is 15, field Z contains the value 15.
C OCCUR DS1 Z
C
* DS1 is set to the current occurrence of DS2. The value of the
* current occurrence of DS1 is then moved to the result field,
* Z. For example, if the current occurrence of DS2 is the fifth
* occurrence, DS1 is set to the fifth occurrence. The result
* field, Z, contains the value 5.
C DS2 OCCUR DS1 Z
*
* DS1 is set to the current occurrence of X. For example, if
* X = 15, DS1 is set to the fifteenth occurrence.
* If X is less than 1 or is greater than 50,
* an error occurs and %ERROR is set to return '1'.
* If %ERROR returns '1', the LR indicator is set on.
C
C X OCCUR (E) DS1
C IF %ERROR
C SETON
C ENDIF
LR

```

Figure 330. Uses of the OCCUR Operation (Part 2 of 2)

## OCCUR (Set/Get Occurrence of a Data Structure)

```

*...1....+...2....+...3....+...4....+...5....+...6....+...7....+...
DName+++++ETDsFrom+++To/L+++IDc.Keywords+++++
*
* Procedure P1 exports a multiple occurrence data structure.
* Since the information about the current occurrence is
* not exported, P1 can communicate this information to
* other procedures using parameters, but in this case it
* communicates this information by exporting the current
* occurrence.
*
D EXP_DS DS OCCURS(50) EXPORT
D FLDA 1 5
D NUM_OCCUR C %ELEM(EXP_DS)
D EXP_DS_CUR S 5P 0 EXPORT
*
*...1....+...2....+...3....+...4....+...5....+...6....+...7....+...
CL0N01Factor1+++++Opcode(E)+Factor2+++++Result+++++Len++D+HiLoEq.
*
* Loop through the occurrences. For each occurrence, call
* procedure P2 to process the occurrence. Since the occurrence
* number EXP_DS_CUR is exported, P2 will know which occurrence
* to process.
*
C EXP_DS_CUR DO NUM_OCCUR EXP_DS_CUR
C EXP_DS_CUR OCCUR EXP_DS
C :
C CALLB 'P2'
C ENDDO
C :

```

Figure 331. Exporting a Multiple Occurrence DS (Part 1 of 2)

```

*...1....+...2....+...3....+...4....+...5....+...6....+...7....+...
DName+++++ETDsFrom+++To/L+++IDc.Keywords+++++
*
* Procedure P2 imports the multiple occurrence data structure.
* The current occurrence is also imported.
*
D EXP_DS DS OCCURS(50) IMPORT
D FLDA 1 5
D EXP_DS_CUR S 5P 0 IMPORT
*
*...1....+...2....+...3....+...4....+...5....+...6....+...7....+...
CL0N01Factor1+++++Opcode(E)+Factor2+++++Result+++++Len++D+HiLoEq.
*
* Set the imported multiple-occurrence data structure using
* the imported current occurrence.
*
C EXP_DS_CUR OCCUR EXP_DS
*
* Process the current occurrence.
C :

```

Figure 331. Exporting a Multiple Occurrence DS (Part 2 of 2)

## ON-ERROR (On Error)

---

### ON-ERROR (On Error)

|                  |                                                               |
|------------------|---------------------------------------------------------------|
| Free-Form Syntax | ON-ERROR { <i>exception-id1</i> {: <i>exception-id2</i> ...}} |
|------------------|---------------------------------------------------------------|

| Code     | Factor 1 | Extended Factor 2     |
|----------|----------|-----------------------|
| ON-ERROR |          | List of exception IDs |

You specify which error conditions the on-error block handles in the list of exception IDs (*exception-id1:exception-id2...*). You can specify any combination of the following, separated by colons:

- nnnnn*            A status code
- \*PROGRAM**    Handles all program-error status codes, from 00100 to 00999
- \*FILE**         Handles all file-error status codes, from 01000 to 09999
- \*ALL**          Handles both program-error and file-error codes, from 00100 to 09999. This is the default.

Status codes outside the range of 00100 to 09999, for example codes from 0 to 99, are not monitored for. You cannot specify these values for an on-error group. You also cannot specify any status codes that are not valid for the particular version of the compiler being used.

If the same status code is covered by more than one on-error group, only the first one is used. For this reason, you should specify special values such as **\*ALL** after the specific status codes.

Any errors that occur within an on-error group are not handled by the monitor group. To handle errors, you can specify a monitor group within an on-error group.

When all the statements in an on-error block have been processed, control passes to the statement following the ENDMON statement.

For an example of the ON-ERROR statement, see "MONITOR (Begin a Monitor Group)" on page 674.

For more information, see "Error-Handling Operations" on page 415.



---

**OPEN (Open File for Processing)**

|                  |                            |
|------------------|----------------------------|
| Free-Form Syntax | OPEN{(E)} <i>file-name</i> |
|------------------|----------------------------|

| Code     | Factor 1 | Factor 2         | Result Field | Indicators |    |   |
|----------|----------|------------------|--------------|------------|----|---|
| OPEN (E) |          | <u>file-name</u> |              | -          | ER | - |

The explicit OPEN operation opens the file named in the *file-name* operand. The file named cannot be designated as a primary, secondary, or table file.

To handle OPEN exceptions (file status codes greater than 1000), either the operation code extender 'E' or an error indicator ER can be specified, but not both. For more information on error handling, see "File Exception/Errors" on page 65.

To open the file specified in the *file-name* operand for the first time in a program with an explicit OPEN operation, specify the USROPN keyword on the file description specifications. (See Chapter 14, "File Description Specifications," on page 265 for restrictions when using the USROPN keyword.)

If a file is opened and later closed by the CLOSE operation in the program, the programmer can reopen the file with the OPEN operation and the USROPN keyword on the file description specification is not required. When the USROPN keyword is not specified on the file description specification, the file is opened at program initialization. If an OPEN operation is specified for a file that is already open, an error occurs.

Multiple OPEN operations in a program to the same file are valid as long as the file is closed when the OPEN operation is issued to it.

When you open a file with the DEVID keyword specified (on the file description specifications), the filename specified as a parameter on the DEVID keyword is set to blanks. See the description of the DEVID keyword, in Chapter 14, "File Description Specifications," on page 265.

For more information, see "File Operations" on page 416.

## OPEN (Open File for Processing)

```

*...1....+...2....+...3....+...4....+...5....+...6....+...7....+...
FFilename++IPEASFR1en+LK1en+AIDevice+.Keywords+++++++
F
FEXCEPT O E DISK USROPN
FFILEX F E DISK
F
*...1....+...2....+...3....+...4....+...5....+...6....+...7....+...
CL0N01Factor1+++++Opcode(E)+Factor2+++++Result+++++Len++D+HiLoEq...
CL0N01Factor1+++++Opcode(E)+Extended-factor2+++++.....
*
* The explicit OPEN operation opens the EXCEPTN file for
* processing if indicator 97 is on and indicator 98 is off.
* Note that the EXCEPTN file on the file description
* specifications has the USROPN keyword specified.
* %ERROR is set to return '1' if the OPEN operation fails.
*
C IF *in97 and not *in98
C OPEN(E) EXCEPTN
C IF not %ERROR
C WRITE ERREC
C ENDF
C ENDF
*
* FILEX is opened at program initialization. The explicit
* CLOSE operation closes FILEX before control is passed to RTNX.
* RTNX or another program can open and use FILEX. Upon return,
* the OPEN operation reopens the file. Because the USROPN
* keyword is not specified for FILEX, the file is opened at
* program initialization
*
C CLOSE FILEX
C CALL 'RTNX'
C OPEN FILEX

```

Figure 332. OPEN Operation with CLOSE Operation

---

**ORxx (Or)**

|                  |                                     |
|------------------|-------------------------------------|
| Free-Form Syntax | (not allowed - use the OR operator) |
|------------------|-------------------------------------|

| Code | Factor 1         | Factor 2         | Result Field | Indicators |  |  |
|------|------------------|------------------|--------------|------------|--|--|
| ORxx | <u>Comparand</u> | <u>Comparand</u> |              |            |  |  |

The ORxx operation is optional with the DOUxx, DOWxx, IFxx, WHENxx, and ANDxx operations. ORxx is specified immediately following a DOUxx, DOWxx, IFxx, WHENxx, ANDxx or ORxx statement. Use ORxx to specify a more complex condition for the DOUxx, DOWxx, IFxx, and WHENxx operations.

The control level entry (positions 7 and 8) can be blank or can contain an L1 through L9 indicator, an LR indicator, or an L0 entry to group the statement within the appropriate section of the program. The control level entry must be the same as the entry for the associated DOUxx, DOWxx, IFxx, or WHENxx operation. Conditioning indicator entries (positions 9 through 11) are not allowed.

Factor 1 and factor 2 must contain a literal, a named constant, a figurative constant, a table name, an array element, a data structure name, or a field name. Factor 1 and factor 2 must be of the same type. The comparison of factor 1 and factor 2 follows the same rules as those given for the compare operations. See “Compare Operations” on page 408.

Figure 281 on page 618 shows an example of ORxx and ANDxx operations with a DOUxx operation.

For more information, see “Structured Programming Operations” on page 431.

## OTHER (Otherwise Select)

---

### OTHER (Otherwise Select)

|                  |       |
|------------------|-------|
| Free-Form Syntax | OTHER |
|------------------|-------|

| Code  | Factor 1 | Factor 2 | Result Field | Indicators |  |  |
|-------|----------|----------|--------------|------------|--|--|
| OTHER |          |          |              |            |  |  |

The OTHER operation begins the sequence of operations to be processed if no WHENxx or “WHEN (When True Then Select)” on page 795 condition is satisfied in a SELECT group. The sequence ends with the ENDSL or END operation.

Rules to remember when using the OTHER operation:

- The OTHER operation is optional in a SELECT group.
- Only one OTHER operation can be specified in a SELECT group.
- No WHENxx or WHEN operation can be specified after an OTHER operation in the same SELECT group.
- The sequence of calculation operations in the OTHER group can be empty; the effect is the same as not specifying an OTHER statement.
- Within total calculations, the control level entry (positions 7 and 8) can be blank or can contain an L1 through L9 indicator, an LR indicator, or an L0 entry to group the statement within the appropriate section of the program. The control level entry is for documentation purposes only. Conditioning indicator entries (positions 9 through 11) are not allowed.

For more information, see “Structured Programming Operations” on page 431.

```

*...1....+....2....+....3....+....4....+....5....+....6....+....7....+....
CL0N01Factor1+++++Opcode(E)+Factor2+++++Result+++++Len++D+HiLoEq....
*
* Example of a SELECT group with WHENxx and OTHER. If X equals 1,
* do the operations in sequence 1; if X does not equal 1 and Y
* equals 2, do the operations in sequence 2. If neither
* condition is true, do the operations in sequence 3.
*
C SELECT
C X WHENEQ 1
*
* Sequence 1
*
C :
C :
C Y WHENEQ 2
*
* Sequence 2
*
C :
C :
C OTHER
*
* Sequence 3
*
C :
C :
C ENDSL

```

Figure 333. OTHER Operation

For more details and examples, see the SELECT and WHENxx operations.

## OUT (Write a Data Area)

---

### OUT (Write a Data Area)

|                  |                                        |
|------------------|----------------------------------------|
| Free-Form Syntax | OUT{(E)} {*LOCK} <i>data-area-name</i> |
|------------------|----------------------------------------|

| Code    | Factor 1 | Factor 2              | Result Field | Indicators |    |   |
|---------|----------|-----------------------|--------------|------------|----|---|
| OUT (E) | *LOCK    | <u>data-area-name</u> |              | -          | ER | - |

The OUT operation updates the data area specified in the *data-area-name* operand. To specify a data area as the *data-area-name* operand of an OUT operation, you must ensure two things:

- The data area must also be specified in the result field of a \*DTAARA DEFINE statement, or defined using the DTAARA keyword on the Definition specification.
- The data area must have been locked previously by a \*LOCK IN statement or it must have been specified as a data area data structure by a U in position 23 of the definition specifications. (The RPG IV language implicitly retrieves and locks data area data structures at program initialization.)

You can specify the optional reserved word \*LOCK. When \*LOCK is specified, the data area remains locked after it is updated. When \*LOCK is not specified, the data area is unlocked after it is updated.

\*LOCK cannot be specified when the *data-area-name* operand is the name of the local data area or the Program Initialization Parameters (PIP) data area.

The *data-area-name* operand must be either the name of the data area or the reserved word \*DTAARA. When \*DTAARA is specified, all data areas defined in the program are updated. If an error occurs when one or more data areas are updated (for example, if you specify an OUT operation to a data area that has not been locked by the program), an error occurs on the OUT operation and the RPG IV exception/error handling routine receives control. If a message is issued to the requester, the message identifies the data area in error.

To handle OUT exceptions (program status codes 401-421, 431, or 432), either the operation code extender 'E' or an error indicator ER can be specified, but not both. For more information on error handling, see "Program Exception/Errors" on page 82.

Positions 71-72 and 75-76 must be blank.

For further rules for the OUT operation, see "Data-Area Operations" on page 411.

See Figure 300 on page 658 for an example of the OUT operation.

## PARM (Identify Parameters)

|                  |                                                                       |
|------------------|-----------------------------------------------------------------------|
| Free-Form Syntax | (not allowed - use "Prototypes and Parameters" on page 145 and CALLP) |
|------------------|-----------------------------------------------------------------------|

| Code | Factor 1     | Factor 2     | Result Field     | Indicators |  |  |
|------|--------------|--------------|------------------|------------|--|--|
| PARM | Target field | Source field | <u>Parameter</u> |            |  |  |

The declarative PARM operation defines the parameters that compose a parameter list (PLIST). PARM operations can appear anywhere in calculations as long as they immediately follow the PLIST, CALL, or CALLB operation they refer to. PARM statements must be in the order expected by the called program or procedure. One PARM statement, or as many as 255 for a CALL or 399 for a CALLB or PLIST are allowed.

The PARM operation can be specified anywhere within calculations, including total calculations. The control level entry (positions 7 and 8) can be blank or can contain an L1 through L9 indicator, an LR indicator, or an L0 entry to group the statement in the appropriate section of the program. Conditioning indicator entries (positions 9 through 11) are not allowed.

Factor 1 and factor 2 entries are optional. If specified, the entries must be the same type as specified in the result field. If the target field is variable-length, its length will be set to the length of the value of the source field. A literal or named constant cannot be specified in factor 1. Factor 1 and factor 2 must be blank if the result field contains the name of a multiple-occurrence data structure or \*OMIT.

**TIP**

If parameter type-checking is important for the application, you should define a prototype and procedure interface definition for the call interface, rather than use the PLIST and PARM operations.

The result field must contain the name of a:

- For all PARM statements:
  - Field
  - Data structure
  - Array
- For non-\*ENTRY PLIST PARM statements it can also contain:
  - Array element
  - \*OMIT (CALLB only)

The Result-Field entry of a PARM operation cannot contain:

- \*IN, \*INxx, \*IN(xx)
- A literal
- A named constant
- A table name

In addition, the following are not allowed in the Result-Field entry of a PARM operation in the \*ENTRY PLIST:

- \*OMIT

## PARM (Identify Parameters)

- A globally initialized data structure
- A data structure with initialized subfields
- A data structure with a compile time array as a subfield
- Fields or data structures defined with the keywords `BASED`, `IMPORT`, or `EXPORT`
- An array element
- A data-area name
- A data-area data structure name
- A data-structure subfield
- A compile-time array
- A program status (PSDS) or file information data structure (INFDS)

A field name can be specified only once in an `*ENTRY PLIST`.

If an array is specified in the result field, the area defined for the array is passed to the called program or procedure. When a data structure with multiple occurrences is passed to the called program or procedure, all occurrences of the data structure are passed as a single field. However, if a subfield of a multiple occurrence data structure is specified in the result field, only the current occurrence of the subfield is passed to the called program or procedure.

Each parameter field has only one storage location; it is in the calling program or procedure. The address of the storage location of the result field is passed to the called program or procedure on a `PARM` operation. If the called program or procedure changes the value of a parameter, it changes the data at that storage location. When control returns to the calling program or procedure, the parameter in the calling program or procedure (that is, the result field) has changed. Even if the called program or procedure ends in error after it changes the value of a parameter, the changed value exists in the calling program or procedure. To preserve the information passed to the called program or procedure for later use, specify in factor 2 the name of the field that contains the information you want to pass to the called program or procedure. Factor 2 is copied into the result field, and the storage address of the result field is passed to the called program or procedure.

Because the parameter fields are accessed by address, not field name, the calling and called parameters do not have to use the same field names for fields that are passed. The attributes of the corresponding parameter fields in the calling and called programs or procedures should be the same. If they are not, undesirable results may occur.

When a `CALL` or `CALLB` operation runs, the following occurs:

1. In the calling procedure, the contents of the factor 2 field of a `PARM` operation are copied into the result field (receiver field) of the same `PARM` operation.
2. In the case of a `CALLB` when the result field is `*OMIT`, a null address will be passed to the called procedure.
3. In the called procedure, after it receives control and after any normal program initialization, the contents of the result field of a `PARM` operation are copied into the factor 1 field (receiver field) of the same `PARM` operation.
4. In the called procedure, when control is returned to the calling procedure, the contents of the factor 2 field of a `PARM` operation are copied into the result



field (receiver field) of the same PARM operation. This move does not occur if the called procedure ends abnormally. The result of the move is unpredictable if an error occurs on the move.

5. Upon return to the calling procedure, the contents of the result field of a PARM operation in the calling procedure are copied into the factor 1 field (receiver field) of the same PARM operation. This move does not occur if the called procedure ends abnormally or if an error occurs on the call operation.

**Note:** The data is moved in the same way as data is moved using the EVAL operation code. Strict type compatibility is enforced. For a discussion of how to call and pass parameters to a program through CL, see the *CL Programming* manual.

For more information, see “Call Operations” on page 404 or “Declarative Operations” on page 414.

Figure 334 on page 725 illustrates the PARM operation.

## PLIST (Identify a Parameter List)

---

### PLIST (Identify a Parameter List)

|                  |                                                                       |
|------------------|-----------------------------------------------------------------------|
| Free-Form Syntax | (not allowed - use "Prototypes and Parameters" on page 145 and CALLP) |
|------------------|-----------------------------------------------------------------------|

| Code  | Factor 1          | Factor 2 | Result Field | Indicators |  |  |
|-------|-------------------|----------|--------------|------------|--|--|
| PLIST | <u>PLIST name</u> |          |              |            |  |  |

The declarative PLIST operation defines a unique symbolic name for a parameter list to be specified in a CALL or CALLB operation.

You can specify a PLIST operation anywhere within calculations, including within total calculations and between subroutines. The control level entry (positions 7 and 8) can be blank or can contain an L1 through L9 indicator, an LR indicator, or an L0 entry to group the statement in the appropriate section of the program. The PLIST operation must be immediately followed by at least one PARM operation. Conditioning indicator entries (positions 9 through 11) are not allowed.

Factor 1 must contain the name of the parameter list. If the parameter list is the entry parameter list, factor 1 must contain \*ENTRY. Only one \*ENTRY parameter list can be specified in a program or procedure. A parameter list is ended when an operation other than PARM is encountered.

**TIP**

If parameter type-checking is important for the application, you should define a prototype and procedure interface definition for the call interface, rather than use the PLIST and PARM operations.

For more information, see "Call Operations" on page 404 or "Declarative Operations" on page 414.

## PLIST (Identify a Parameter List)

```

*...1....+....2....+....3....+....4....+....5....+....6....+....7....+....
CL0N01Factor1+++++Opcode(E)+Factor2+++++Result+++++Len++D+HiLoEq....
*
* In the calling program, the CALL operation calls PROG1 and
* allows PROG1 to access the data in the parameter list fields.
C CALL 'PROG1' PLIST1
*
* In the second PARM statement, when CALL is processed, the
* contents of factor 2, *IN27, are placed in the result field,
* BYTE. When PROG1 returns control, the contents of the result
* field, BYTE, are placed in the factor 1 field, *IN30. Note
* that factor 1 and factor 2 entries on a PARM are optional.
*
C PLIST1 PLIST
C PARM Amount 5 2
C *IN30 PARM *IN27 Byte 1
*...1....+....2....+....3....+....4....+....5....+....6....+....7....+....
CL0N01Factor1+++++Opcode(E)+Factor2+++++Result+++++Len++D+HiLoEq....
C CALLB 'PROG2'
* In this example, the PARM operations immediately follow a
* CALLB operation instead of a PLIST operation.
C PARM Amount 5 2
C *IN30 PARM *IN27 Byte 1
*...1....+....2....+....3....+....4....+....5....+....6....+....7....+....
CL0N01Factor1+++++Opcode(E)+Factor2+++++Result+++++Len++D+HiLoEq....
* In the called procedure, PROG2, *ENTRY in factor 1 of the
* PLIST statement identifies it as the entry parameter list.
* When control transfers to PROG2, the contents of the result
* fields (FieldC and FieldG) of the parameter list are placed in
* the factor 1 fields (FieldA and FieldD). When the called procedure
* returns, the contents of the factor 2 fields of the parameter
* list (FieldB and FieldE) are placed in the result fields (FieldC
* and FieldG). All of the fields are defined elsewhere in the
* procedure.
C *ENTRY PLIST
C FieldA PARM FieldB FieldC
C FieldD PARM FieldE FieldG

```

Figure 334. PLIST/PARM Operations

## POST (Post)

---

### POST (Post)

|                  |                                                      |
|------------------|------------------------------------------------------|
| Free-Form Syntax | POST{(E)} { <i>program-device</i> } <i>file-name</i> |
|------------------|------------------------------------------------------|

| Code     | Factor 1       | Factor 2  | Result Field | Indicators |    |   |
|----------|----------------|-----------|--------------|------------|----|---|
| POST (E) | program-device | file-name | INFDS name   | _          | ER | _ |

The POST operation puts information in an INFDS (file information data structure). This information contains the following:

- File Feedback Information specific to RPG I/O for the file
- Open Feedback Information for the file
- Input/Output Feedback Information and Device Dependent Feedback Information for the file OR Get Attribute Information

The *program-device* operand specifies a program device name to get information about that specific program device. If you specify a program device, the file must be defined as a WORKSTN file. If *program-device* is specified, then the INFDS will contain Get Attribute Information following the Open Feedback Information. Use either a character field of length 10 or less, a character literal, or a character named constant. If *program-device* is not specified, then the INFDS will contain Input/Output Feedback Information and Device Dependent Feedback Information following the Open Feedback Information.

Specify the name of a file in the *file-name* operand. Information for this file is posted in the INFDS associated with this file.

In free-form syntax, you must specify a *file-name* and cannot specify an INFDS name. In traditional syntax, you can specify a *file-name*, an INFDS name, or both.

- If you do not specify an INFDS name, the INFDS associated with this file using the INFDS keyword in the file specification will be used.
- If you do not specify an INFDS name in traditional syntax, you must specify the data structure name that has been used in the INFDS keyword for the file specification in the result field; information from the associated file in the file specification will be posted.

To handle POST exceptions (file status codes greater than 1000), either the operation code extender 'E' or an error indicator ER can be specified, but not both. For more information on error handling, see "File Exception/Errors" on page 65.

Even when a POST operation code is not processed, its existence in your program can affect the way the RPG IV language operates. Usually, the INFDS is updated at each input and output operation or block of operations. However, if anywhere in your program, you have specified a POST operation with no *program-device* specified, then RPG IV updates the I/O Feedback Information area and the Device Dependent Feedback Information area in the INFDS of any file only when you process a POST operation for that file. The File Dependent Information in the INFDS is updated on all Input/Output operations. If you have opened a file for multiple-member processing, the Open Feedback Information in the INFDS will be updated when an input operation (READ, READP, READE READPE) causes a new member to be opened.

Note that DUMP retrieves its information directly from the Open Data Path and not from the INFDS, so the file information sections of the DUMP do not depend on POST.

If a program has no POST operation code, or if it has only POST operation codes with *program-device* specified, the Input/Output Feedback and Device Dependent Feedback section is updated with each input/output operation or block of operations. If RPG is blocking records, most of the information in the INFDS will be valid only for the last complete block of records processed. When doing blocked input, from a data base file, RPG will update the relative record number and key information in the INFDS for each read, not just the last block of records processed. If you require more accurate information, do not use record blocking. See "File Information Data Structure" on page 65 for more information on record blocking. If you do not require feedback information after every input/output operation, you may be able to improve performance by using the POST operation only when you require the feedback information.

When a POST operation is processed, the associated file must be open. If you specify a program device on the POST operation, it does not have to be acquired by the file.

For more information, see "File Operations" on page 416.

## READ (Read a Record)

### READ (Read a Record)

|                  |                                                  |
|------------------|--------------------------------------------------|
| Free-Form Syntax | READ{(EN)} <i>name</i> { <i>data-structure</i> } |
|------------------|--------------------------------------------------|

| Code       | Factor 1 | Factor 2                            | Result Field   | Indicators |    |     |
|------------|----------|-------------------------------------|----------------|------------|----|-----|
| READ (E N) |          | <u>name</u> (file or record format) | data-structure | _          | ER | EOF |

The READ operation reads the record, currently pointed to, from a full procedural file (identified by an F in position 18 of the file description specifications).

The *name* operand is required and must be the name of a file or record format. A record format name is allowed only with an externally described file (E in position 22 of the file description specifications). It may be the case that a READ-by-format-name operation will receive a different format from the one you specified in the *name* operand. If so, your READ operation ends in error.

If the *data-structure* operand is specified, the record is read directly into the data structure. If *name* refers to a program-described file (identified by an F in position 22 of the file description specification), the data structure can be any data structure of the same length as the file's declared record length. If *name* refers to an externally-described file or a record format from an externally described file, the data structure must be a data structure defined with EXTNAME(...:INPUT) or LIKERE(...:INPUT). See "File Operations" on page 416 for information on how to define the data structure and how data is transferred between the file and the data structure.

If a READ operation is successful, the file is positioned at the next record that satisfies the read. If there is an error or an end of file condition, you must reposition the file (using a CHAIN, SETLL, or SETGT operation).

If the file from which you are reading is an update disk file, you can specify an N operation extender to indicate that no lock should be placed on the record when it is read. See the *WebSphere Development Studio: ILE RPG Programmer's Guide* for more information.

To handle READ exceptions (file status codes greater than 1000), either the operation code extender 'E' or an error indicator ER can be specified, but not both. For more information on error handling, see "File Exception/Errors" on page 65.

You can specify an indicator in positions 75-76 to signal whether an end of file occurred on the READ operation. The indicator is either set on (an EOF condition) or off every time the READ operation is performed. This information can also be obtained from the %EOF built-in function, which returns '1' if an EOF condition occurs and '0' otherwise. The file must be repositioned after an EOF condition, in order to process any further successful sequential operations (for example, READ or READP) to the file.

Figure 335 on page 730 illustrates the READ operation.

When *name* specifies a multiple device file, the READ operation does one of the following:

- Reads data from the device specified in the most recent NEXT operation (if such a NEXT operation has been processed).

## READ (Read a Record)

- Accepts the first response from any device that has been acquired for the file, and that was specified for “invite status” with the DDS keyword INVITE. If there are no invited devices, the operation receives an end of file. The input is processed according to the corresponding format. If the device is a workstation, the last format written to it is used. If the device is a communications device, you can select the format.

Refer to *ICF Programming*, SC41-5442-00 for more information on format selection processing for an ICF file.

The READ operation will stop waiting after a period of time in which no input is provided, or when one of the following CL commands has been entered with the controlled option specified:

- ENDJOB (End Job)
- ENDSBS (End Subsystem)
- PWRDWNSYS (Power Down System)
- ENDSYS (End System).

This results in a file exception/error that is handled by the method specified in your program (see “File Exception/Errors” on page 65). See *ICF Programming*, SC41-5442-00 for a discussion of the WAITRCD parameter on the commands to create or modify a file. This parameter controls the length of time the READ operation waits for input.

When *name* specifies a format name and the format name is associated with a multiple device file, data is read from the device identified by the field specified in the DEVID keyword in file specifications. If there is no such entry, data is read from the device used in the last successful input operation.

See “Database Null Value Support” on page 209 for information on reading records with null-capable fields.

For more information, see “File Operations” on page 416.

## READ (Read a Record)

```
*...1....+....2....+....3....+....4....+....5....+....6....+....7...+....
CL0N01Factor1+++++Opcode(E)+Factor2+++++Result+++++Len++D+HiLoEq....
*
* READ retrieves the next record from the file FILEA, which must
* be a full procedural file.
* %EOF is set to return '1' if an end of file occurs on READ,
* or if an end of file has occurred previously and the file
* has not been repositioned. When %EOF returns '1',
* the program will leave the loop.
*
C DOW '1'
C READ FILEA
C IF %EOF
C LEAVE
C ENDF
*
* READ retrieves the next record of the type REC1 (factor 2)
* from an externally described file. (REC1 is a record format
* name.) Indicator 64 is set on if an end of file occurs on READ,
* or if it has occurred previously and the file has not been
* repositioned. When indicator 64 is set on, the program
* will leave the loop. The N operation code extender
* indicates that the record is not locked.
*
C READ(N) REC1
C 64 LEAVE
C ENDDO
C 64
```

Figure 335. READ Operation



## READC (Read Next Changed Record)

|                  |                                                         |
|------------------|---------------------------------------------------------|
| Free-Form Syntax | READC{(E)} <i>record-name</i> { <i>data-structure</i> } |
|------------------|---------------------------------------------------------|

| Code      | Factor 1 | Factor 2           | Result Field   | Indicators |    |     |
|-----------|----------|--------------------|----------------|------------|----|-----|
| READC (E) |          | <u>record-name</u> | data structure | _          | ER | EOF |

The READC operation can be used only with an externally described WORKSTN file to obtain the next changed record in a subfile. The *record-name* operand is required and must be the name of a record format defined as a subfile by the SFILF keyword on the file description specifications. (See “SFILF(recformat:rrnfield)” on page 287 for information on the SFILF keyword.)

For a multiple device file, data is read from the subfile record associated with a program device; the program device is identified by the field specified in the DEVID keyword on the file specifications. If there is no such entry, data is read from the program device used for the last successful input operation.

To handle READC exceptions (file status codes greater than 1000), either the operation code extender 'E' or an error indicator ER can be specified, but not both. For more information on error handling, see “File Exception/Errors” on page 65.

You can specify an indicator in positions 75-76 that will be set on when there are no more changed records in the subfile. This information can also be obtained from the %EOF built-in function, which returns '1' if there are no more changed records in the subfile and '0' otherwise.

If the *data-structure* operand is specified, the record is read directly into the data structure. The data structure must be a data structure defined with EXTNAME(...:INPUT) or LIKERECD(...:INPUT). See “File Operations” on page 416 for information on how to define the data structure and how data is transferred between the file and the data structure.

## READC (Read Next Changed Record)

```

*...1....+....2....+....3....+....4....+....5....+....6....+....7...+....
FFilename++IPEASFRlen+LKlen+AIDevice+.Keywords+++++
* CUSSCR is a WORKSTN file which displays a list of records from
* the CUSINFO file. SFCUSR is the subfile name.
*
FCUSINFO UF E DISK
FCUSSCR CF E WORKSTN SFILE(SFCUSR:RRN)
F
CLON01Factor1+++++Opcode(E)+Factor2+++++Result+++++Len++D+HiLoEq....
* After the subfile has been loaded with the records from the
* CUSINFO file. It is written out to the screen using EXFMT with
* the subfile control record, CTLCUS. If there are any changes in
* any one of the records listed on the screen, the READC operation
* will read the changed records one by one in the do while loop.
* The corresponding record in the CUSINFO file will be located
* with the CHAIN operation and will be updated with the changed
* field.
C :
C EXFMT CTLCUS
C :
* SCUSNO, SCUSNAM, SCUSADR, and SCUSTEL are fields defined in the
* subfile. CUSNAM, CUSADR, and CUSTEL are fields defined in a
* record, CUSREC which is defined in the file CUSINFO.
*
C READC SFCUSR
C DOW %EOF = *OFF
C SCUSNO CHAIN (E) CUSINFO
* Update the record only if the record is found in the file.
C :
C IF NOT %ERROR
C EVAL CUSNAM = SCUSNAM
C EVAL CUSADR = SCUSADR
C EVAL CUSTEL = SCUSTEL
C UPDATE CUSREC
C ENDIF
C READC (E) SFCUSR
C ENDDO

```

Figure 336. READC example

## READE (Read Equal Key)

|                  |                                                                              |
|------------------|------------------------------------------------------------------------------|
| Free-Form Syntax | READE{(ENHMR)} <i>search-arg</i> [*KEY <i>name</i> { <i>data-structure</i> } |
|------------------|------------------------------------------------------------------------------|

| Code        | Factor 1   | Factor 2                            | Result Field   | Indicators |    |     |
|-------------|------------|-------------------------------------|----------------|------------|----|-----|
| READE (E N) | search-arg | <u>name</u> (file or record format) | data-structure | _          | ER | EOF |

The READE operation retrieves the next sequential record from a full procedural file (identified by an F in position 18 of the file description specifications) if the key of the record matches the search argument. If the key of the record does not match the search argument, an EOF condition occurs, and the record is *not* returned to the program. An EOF condition also applies when end of file occurs.

The search argument, *search-arg*, identifies the record to be retrieved. The *search-arg* operand is optional in traditional syntax but is required in free-form syntax. *search-arg* can be:

- A field name, a literal, a named constant, or a figurative constant.
- A KLIST name for an externally described file.
- A list of key values enclosed in parentheses. See Figure 263 on page 591 for an example of searching using a list of key values.
- %KDS to indicate that the search arguments are the subfields of a data structure. See the example at the end of “%KDS (Search Arguments in Data Structure)” on page 507 for an illustration of search arguments in a data structure.
- \*KEY or (in traditional syntax only) no value. If the full key of the next record is equal to that of the current record, the next record in the file is retrieved. The full key is defined by the record format or file specified in *name*.

**Note:** Note: If a file is defined as update and the N operation extender is not specified, occasionally a READE operation will be forced to wait for a temporary record lock for a record whose key value does not match the search argument. Once the temporary lock has been obtained, if the key value does not match the search argument, the temporary lock is released.

In most cases, RPG can perform READE by using system support that does not require obtaining a temporary record lock to determine whether there is a matching record. However, in other cases, RPG cannot use this support, and must request the next record before it can determine whether the record matches the READE request.

Some of the reasons that would require RPG to obtain a temporary lock on the next record for a READE operation are:

- the key of the current record is not the same as the search argument
- the current record is not the same as the requested record
- there are null-capable fields in the file
- the file has end-of-file delay

**Note:**

Graphic and UCS-2 keys must have the same CCSID.

## READE (Read Equal Key)

The *name* operand must be the name of the file or record format to be retrieved. A record format name is allowed only with an externally described file (identified by an E in position 22 of the file description specifications).

If the *data-structure* operand is specified, the record is read directly into the data structure. If *name* refers to a program-described file (identified by an F in position 22 of the file description specification), the data structure can be any data structure of the same length as the file's declared record length. If *name* refers to an externally-described file or a record format from an externally described file, the data structure must be a data structure defined with EXTNAME(...:INPUT) or LIKERE(...:INPUT). See "File Operations" on page 416 for information on how to define the data structure and how data is transferred between the file and the data structure.

If the file you are reading is an update disk file, you can specify an N operation extender to indicate that no lock should be placed on the record when it is read. See the *WebSphere Development Studio: ILE RPG Programmer's Guide* for more information.

To handle READE exceptions (file status codes greater than 1000), either the operation code extender 'E' or an error indicator ER can be specified, but not both. For more information on error handling, see "File Exception/Errors" on page 65.

You can specify an indicator in positions 75-76 that will be set on if an EOF condition occurs: that is, if a record is not found with a key equal to the search argument or if an end of file is encountered. This information can also be obtained from the %EOF built-in function, which returns '1' if an EOF condition occurs and '0' otherwise.

If a READE operation is not successful, you must reposition the file: for example, using a CHAIN, SETGT, or SETLL operation. See "CHAIN (Random Retrieval from a File)" on page 589, "SETGT (Set Greater Than)" on page 759, or "SETLL (Set Lower Limit)" on page 763.

Normally, the comparison between the specified key and the actual key in the file is done by data management. In some cases this is impossible, causing the comparison to be done using the hexadecimal collating sequence. This can give different results than expected. For more information, see the section "Unexpected Results Using Keyed Files" in *WebSphere Development Studio: ILE RPG Programmer's Guide*.

A READE with the *search-arg* operand specified that immediately follows an OPEN operation or an EOF condition retrieves the first record in the file if the key of the record matches the search argument. A READE with **no** *search-arg* specified that immediately follows an OPEN operation or an EOF condition results in an error condition. The error indicator in positions 73 and 74, if specified, is set on or the 'E' extender, checked with %ERROR, if specified, is set on. No further I/O operations can be issued against the file until it is successfully closed and reopened.

See "Database Null Value Support" on page 209 for information on handling records with null-capable fields and keys.

For more information, see "File Operations" on page 416.

**Note:** Operation code extenders H, M, and R are allowed only when the search argument is a list or is %KDS().

```

*...1....+....2....+....3....+....4....+....5....+....6....+....7...+....
CL0N01Factor1+++++Opcode(E)+Factor2+++++Result+++++Len++D+HiLoEq....
*
* With Factor 1 Specified...
*
* The READE operation retrieves the next record from the file
* FILEA and compares its key to the search argument, KEYFLD.
*
* The %EOF built-in function is set to return '1' if KEYFLD is
* not equal to the key of the record read or if end of file
* is encountered.
*
C KEYFLD READE FILEA
*
* The READE operation retrieves the next record of the type REC1
* from an externally described file and compares the key of the
* record read to the search argument, KEYFLD. (REC1 is a record
* format name.) Indicator 56 is set on if KEYFLD is not equal to
* the key of the record read or if end of file is encountered.
C KEYFLD READE REC1 56
*
* With No Factor 1 Specified...
*
* The READE operation retrieves the next record in the access
* path from the file FILEA if the key value is equal to
* the key value of the record at the current cursor position.
*
* If the key values are not equal, %EOF is set to return '1'.
C READE FILEA
*
* The READE operation retrieves the next record in the access
* path from the file FILEA if the key value equals the key value
* of the record at the current position. REC1 is a record format
* name. Indicator 56 is set on if the key values are unequal.
* N indicates that the record is not locked.
C READE(N) REC1 56

```

Figure 337. READE Operation

## READP (Read Prior Record)

### READP (Read Prior Record)

|                  |                                                   |
|------------------|---------------------------------------------------|
| Free-Form Syntax | READP{(EN)} <i>name</i> { <i>data-structure</i> } |
|------------------|---------------------------------------------------|

| Code        | Factor 1 | Factor 2                            | Result Field   | Indicators |    |     |
|-------------|----------|-------------------------------------|----------------|------------|----|-----|
| READP (E N) |          | <u>name</u> (file or record format) | data-structure | _          | ER | BOF |

The READP operation reads the prior record from a full procedural file (identified by an F in position 18 of the file description specifications).

The *name* operand must be the name of a file or record format to be read. A record format name is allowed only with an externally described file. If a record format name is specified in *name*, the record retrieved is the first prior record of the specified type. Intervening records are bypassed.

If the *data-structure* operand is specified, the record is read directly into the data structure. If *name* refers to a program-described file (identified by an F in position 22 of the file description specification), the data structure can be any data structure of the same length as the file's declared record length. If *name* refers to an externally-described file or a record format from an externally described file, the data structure must be a data structure defined with EXTNAME(...:INPUT) or LIKERE(...:INPUT). See "File Operations" on page 416 for information on how to define the data structure and how data is transferred between the file and the data structure.

If a READP operation is successful, the file is positioned at the previous record that satisfies the read.

If the file from which you are reading is an update disk file, you can specify an N operation extender to indicate that no lock should be placed on the record when it is read. See the *WebSphere Development Studio: ILE RPG Programmer's Guide* for more information.

To handle READP exceptions (file status codes greater than 1000), either the operation code extender 'E' or an error indicator ER can be specified, but not both. For more information on error handling, see "File Exception/Errors" on page 65.

You can specify an indicator in positions 75-76 that will be set on when no prior records exist in the file (beginning of file condition). This information can also be obtained from the %EOF built-in function, which returns '1' if a BOF condition occurs and '0' otherwise.

You must reposition the file (for example, using a CHAIN, SETLL or SETGT operation) after an error or BOF condition to process any further successful sequential operations (for example, READ or READP).

See "Database Null Value Support" on page 209 for information on reading records with null-capable fields.

For more information, see "File Operations" on page 416.

Figure 338 on page 737 shows READP operations with a file name and record format name specified in factor 2.

## READP (Read Prior Record)

```
*...1....+....2....+....3....+....4....+....5....+....6....+....7...+....
CL0N01Factor1+++++Opcode(E)+Factor2+++++Result+++++Len++D+HiLoEq....
*
* The READP operation reads the prior record from FILEA.
*
* The %EOF built-in function is set to return '1' if beginning
* of file is encountered. When %EOF returns '1', the program
* branches to the label BOF specified in the GOTO operation.
C READP FILEA
C IF %EOF
C GOTO BOF
C ENDIF
*
* The READP operation reads the next prior record of the type
* REC1 from an externally described file. (REC1 is a record
* format name.) Indicator 72 is set on if beginning of file is
* encountered during processing of the READP operation. When
* indicator 72 is set on, the program branches to the label BOF
* specified in the GOTO operation.
C READP PREC1
C 72 GOTO BOF
*
C BOF TAG
```

Figure 338. READP Operation

## READPE (Read Prior Equal)

|                  |                                                                                |
|------------------|--------------------------------------------------------------------------------|
| Free-Form Syntax | READPE{(ENHMR)} <i>search-arg</i> ! *KEY <i>name</i> { <i>data-structure</i> } |
|------------------|--------------------------------------------------------------------------------|

| Code         | Factor 1          | Factor 2                            | Result Field          | Indicators |    |     |
|--------------|-------------------|-------------------------------------|-----------------------|------------|----|-----|
| READPE (E N) | <i>search-arg</i> | <u>name</u> (file or record format) | <i>data-structure</i> | _          | ER | BOF |

The READPE operation retrieves the next prior sequential record from a full procedural file if the key of the record matches the search argument. If the key of the record does not match the search argument, a BOF condition occurs, and the record is *not* returned to the program. A BOF condition also applies when beginning of file occurs.

The search argument, *search-arg*, identifies the record to be retrieved. The *search-arg* operand is optional in traditional syntax but required in free-form syntax. *search-arg* can be:

- A field name, a literal, a named constant, or a figurative constant.
- A KLIST name for an externally described file.
- A list of key values enclosed in parentheses. See Figure 263 on page 591 for an example of searching using a list of key values.
- %KDS to indicate that the search arguments are the subfields of a data structure. See the example at the end of “%KDS (Search Arguments in Data Structure)” on page 507 for an illustration of search arguments in a data structure.
- \*KEY or (in traditional syntax only) no value. If the full key of the next prior record is equal to that of the current record, the next prior record in the file is retrieved. The full key is defined by the record format or file used in factor 2.

Graphic and UCS-2 keys must have the same CCSID.

The *name* operand must be the name of the file or record format to be retrieved. A record format name is allowed only with an externally described file (identified by an E in position 22 of the file description specifications).

If the *data-structure* operand is specified, the record is read directly into the data structure. If *name* refers to a program-described file (identified by an F in position 22 of the file description specification), the data structure can be any data structure of the same length as the file’s declared record length. If *name* refers to an externally-described file or a record format from an externally described file, the data structure must be a data structure defined with EXTNAME(...: \*INPUT) or LIKERE(...: \*INPUT). See “File Operations” on page 416 for information on how to define the data structure and how data is transferred between the file and the data structure.

If the file from which you are reading is an update disk file, you can specify an N operation extender to indicate that no lock should be placed on the record when it is read. See the *WebSphere Development Studio: ILE RPG Programmer’s Guide* for more information.

To handle READPE exceptions (file status codes greater than 1000), either the operation code extender ‘E’ or an error indicator ER can be specified, but not both. For more information on error handling, see “File Exception/Errors” on page 65.



You can specify an indicator in positions 75-76 that will be set on if a BOF condition occurs: that is, if a record is not found with a key equal to the search argument or if a beginning of file is encountered. This information can also be obtained from the %EOF built-in function, which returns '1' if a BOF condition occurs and '0' otherwise.

If a READPE operation is not successful, you must reposition the file: for example, using a CHAIN, SETGT, or SETLL operation. See "CHAIN (Random Retrieval from a File)" on page 589, "SETGT (Set Greater Than)" on page 759, or "SETLL (Set Lower Limit)" on page 763.

**Note:** Note: If a file is defined as update and the N operation extender is not specified, occasionally a READPE operation will be forced to wait for a temporary record lock for a record whose key value does not match the search argument. Once the temporary lock has been obtained, if the key value does not match the search argument, the temporary lock is released.

In most cases, RPG can perform READPE by using system support that does not require obtaining a temporary record lock to determine whether there is a matching record. However, in other cases, RPG cannot use this support, and must request the next record before it can determine whether the record matches the READPE request.

Some of the reasons that would require RPG to obtain a temporary lock on the next record for a READPE operation are:

- the key of the current record is not the same as the search argument
- the current record is not the same as the requested record
- there are null-capable fields in the file
- the file has end-of-file delay

Normally, the comparison between the specified key and the actual key in the file is done by data management. In some cases this is impossible, causing the comparison to be done using the hexadecimal collating sequence. This can give different results than expected. For more information, see the section "Unexpected Results Using Keyed Files" in *WebSphere Development Studio: ILE RPG Programmer's Guide*.

A READPE with the *search-arg* operand specified that immediately follows an OPEN operation or a BOF condition returns BOF. A READPE with **no** *search-arg* specified that immediately follows an OPEN operation or a BOF condition results in an error condition. The error indicator in positions 73 and 74, if specified, is set on or the 'E' extender, checked with %ERROR, if specified, is set on. The file *must* be repositioned using a CHAIN, SETLL, READ, READE or READP with *search-arg* specified, prior to issuing a READPE operation with factor 1 blank. A SETGT operation code should not be used to position the file prior to issuing a READPE (with no *search-arg* specified) as this results in a record-not-found condition (because the record previous to the current record never has the same key as the current record after a SETGT is issued). If *search-arg* is specified with the same key for both operation codes, then this error condition will not occur.

See "Database Null Value Support" on page 209 for information on handling records with null-capable fields and keys.

For more information, see "File Operations" on page 416.

## READPE (Read Prior Equal)

**Note:** Operation code extenders H, M, and R are allowed only when the search argument is a list or is %KDS().

```

*...1....+....2....+....3....+....4....+....5....+....6....+....7....+....
CL0N01Factor1+++++Opcode(E)+Factor2+++++Result+++++Len++D+HiLoEq....
*
* With Factor 1 Specified...
*
* The previous record is read and the key compared to FieldA.
* Indicator 99 is set on if the record's key does not match
* FieldA.
C FieldA READPE FileA 99
*
* The previous record is read from FileB and the key compared
* to FieldB. The record is placed in data structure Ds1. If
* the record key does not match FieldB, indicator 99 is set on.
C FieldB READPE FileB Ds1 99
*
* The previous record from record format RecA is read, and
* the key compared to FieldC. Indicator 88 is set on if the
* operation is not completed successfully, and 99 is set on if
* the record key does not match FieldC.
C FieldC READPE RecA 8899
*
* With No Factor 1 Specified...
*
* The previous record in the access path is retrieved if its
* key value equals the key value of the current record.
* Indicator 99 is set on if the key values are not equal.
C READPE FileA 99
*
* The previous record is retrieved from FileB if its key value
* matches the key value of the record at the current position
* in the file. The record is placed in data structure Ds1.
* Indicator 99 is set on if the key values are not equal.
C READPE FileB Ds1 99
*
* The previous record from record format RecA is retrieved if
* its key value matches the key value of the current record in
* the access path. Indicator 88 is set on if the operation is
* not successful; 99 is set on if the key values are unequal.
C READPE RecA 8899

```

Figure 339. READPE Operation

## REALLOC (Reallocate Storage with New Length)

|                  |                                                    |
|------------------|----------------------------------------------------|
| Free-Form Syntax | (not allowed - use the %REALLOC built-in function) |
|------------------|----------------------------------------------------|

| Code        | Factor 1 | Factor 2      | Result Field   | Indicators |    |   |
|-------------|----------|---------------|----------------|------------|----|---|
| REALLOC (E) |          | <u>Length</u> | <u>Pointer</u> | -          | ER | - |

The REALLOC operation changes the length of the heap storage pointed to by the result-field pointer to the length specified in factor 2. The result field of REALLOC contains a basing pointer variable. The result field pointer must contain the value previously set by a heap-storage allocation operation (either an ALLOC or REALLOC operation in RPG or some other heap-storage function such as CEEGTST). It is not sufficient to simply point to heap storage; the pointer must be set to the beginning of an allocation.

New storage is allocated of the specified size and the value of the old storage is copied to the new storage. Then the old storage is deallocated. If the new length is shorter, the value is truncated on the right. If the new length is longer, the new storage to the right of the copied data is uninitialized.

The result field pointer is set to point to the new storage.

If the operation does not succeed, an error condition occurs, but the result field pointer will not be changed. If the original pointer was valid and the operation failed because there was insufficient new storage available (status 425), the original storage is not deallocated, so the result field pointer is still valid with its original value.

If the pointer is valid but it does not point to storage that can be deallocated, then status 426 (error in storage management operation) will be set.

To handle exceptions with program status codes 425 or 426, either the operation code extender 'E' or an error indicator ER can be specified, but not both. For more information on error handling, see "Program Exception/Errors" on page 82.

Factor 2 contains a numeric variable or constant that indicates the new size of the storage (in bytes) to be allocated. Factor 2 must be numeric with zero decimal positions. The value must be between 1 and 16776704.

For more information, see "Memory Management Operations" on page 420.

|                                                                 |      |         |                                     |             |
|-----------------------------------------------------------------|------|---------|-------------------------------------|-------------|
| D                                                               | Ptr1 | S       | *                                   |             |
| D                                                               | Fld  | S       | 32767A                              | BASED(Ptr1) |
| * The ALLOC operation allocates 7 bytes to the pointer Ptr1.    |      |         |                                     |             |
| * After the ALLOC operation, only the first 7 bytes of variable |      |         |                                     |             |
| * Fld can be used.                                              |      |         |                                     |             |
| C                                                               |      | ALLOC   | 7                                   | Ptr1        |
| C                                                               |      | EVAL    | %SUBST(Fld : 1 : 7) = '1234567'     |             |
| C                                                               |      | REALLOC | 10                                  | Ptr1        |
| * Now 10 bytes of Fld can be used.                              |      |         |                                     |             |
| C                                                               |      | EVAL    | %SUBST(Fld : 1 : 10) = '123456789A' |             |

Figure 340. REALLOC Operation

## REL (Release)

---

### REL (Release)

|                  |                                          |
|------------------|------------------------------------------|
| Free-Form Syntax | REL{(E)} <i>program-device file-name</i> |
|------------------|------------------------------------------|

| Code    | Factor 1              | Factor 2         | Result Field | Indicators |    |   |
|---------|-----------------------|------------------|--------------|------------|----|---|
| REL (E) | <u>program-device</u> | <u>file-name</u> |              | -          | ER | - |

The REL operation releases the program device specified in *program-device* from the WORKSTN file specified in *file-name*.

Specify the program device name in the *program-device* operand. Use either a character field of length 10 or less, a character literal, or a named constant. Specify the file name in *file-name* operand.

To handle REL exceptions (file status codes greater than 1000), either the operation code extender 'E' or an error indicator ER can be specified, but not both. For more information on error handling, see "File Exception/Errors" on page 65.

When there are no program devices acquired to a WORKSTN file, the next READ-by-file-name or cycle-read gets an end-of-file condition. You must decide what the program does next. The REL operation may be used with a multiple device file or, for error recovery purpose, with a single device file.

**Note:** To release a record lock, use the UNLOCK operation. See the UNLOCK operation for more information about releasing record locks for update disk files.

For more information, see "File Operations" on page 416.

## RESET (Reset)

|                  |                                        |
|------------------|----------------------------------------|
| Free-Form Syntax | RESET{(E)} {*NOKEY} {*ALL} <i>name</i> |
|------------------|----------------------------------------|

| Code      | Factor 1 | Factor 2 | Result Field                            | Indicators |    |   |
|-----------|----------|----------|-----------------------------------------|------------|----|---|
| RESET (E) | *NOKEY   | *ALL     | <u>name</u> (variable or record format) | -          | ER | - |

The RESET operation is used to restore a variable to the value held at the end of the \*INIT phase. This value is called the **reset value**. If there is no \*INZSR subroutine, the reset value is the same as the initial value (either the value specified by the “INZ{(initial value)}” on page 311, or the default value). If there is a \*INZSR subroutine, the reset value is the value the variable holds when the \*INZSR subroutine has completed.

The RESET operation can also be used to restore all the fields in a record format to their reset values.

See Figure 6 on page 23 for more information on the \*INIT phase.

**Note:** For local variables in subprocedures, the reset value is the value of the variable when the subprocedure is first called, but before the calculations begin.

To handle RESET exceptions (program status code 123), either the operation code extender ‘E’ or an error indicator ER can be specified, but not both. For more information on error handling, see “Program Exception/Errors” on page 82.

For more information, see “Initialization Operations” on page 420.

## Resetting Variables

\*ALL is optional. If \*ALL is specified and the *name* operand is a multiple occurrence data structure or a table name, all occurrences or table elements are reset and the occurrence level or table index is set to 1.

The *name* operand specifies the variable to be reset. The particular value for this operand determines the reset action as follows:

### Single occurrence data structure

All fields are reset in the order in which they are declared within the structure.

### Multiple-occurrence data structure

If \*ALL is not specified, then all fields in the *current* occurrence are reset. If \*ALL is specified, then all fields in *all* occurrences are reset.

### Table name

If \*ALL is not specified, then the *current* table element is reset. If \*ALL is specified, then all table elements are reset.

### Array name

Entire array is reset

### Array element (including indicators)

Only the element specified is reset.

### Resetting Record Formats

\*NOKEY is optional. If \*NOKEY is specified, then key fields are not reset to their reset values.

\*ALL is optional. If \*ALL is specified and \*NOKEY is not, all fields in the record format are reset. If \*ALL is not specified, only those fields that are output in that record format are affected. If \*NOKEY is specified, then key fields are not reset, even if \*ALL is specified.

The result field contains the record format to be reset. For WORKSTN file record formats (positions 36-42 on a file-description specification), if \*ALL is not specified, only those fields with a usage of output or both are affected. All field-conditioning indicators of the record format are affected by the operation. When the RESET operation is applied to a record format name, and INDARA has been specified in the DDS, the indicators in the record format are not reset.

Fields in DISK, SEQ, or PRINTER file record formats are affected only if the record format is output in the program. Input-only fields are not affected by the RESET operation, except when \*ALL is specified.

A RESET operation of a record format with \*ALL specified is not valid when:

- A field is defined externally as input-only, and the record was not used for input.
- A field is defined externally as output-only, and the record was not used for output.
- A field is defined externally as both input and output capable, and the record was not used for either input or output.

**Note:** Input-only fields in logical files will appear in the output specifications, although they are not actually written to the file. When a CLEAR or RESET without \*ALL specified is done to a record containing these fields, then these fields will be cleared or reset because they appear in the output specifications.

### Additional Considerations

Keep in mind the following when coding a RESET operation:

- RESET is not allowed for based variables and IMPORTed variables, or for parameters in a subprocedure.
- The RESET operation results in an increase in the amount of storage required by the program. For any variable that is reset, the storage requirement is doubled. Note that for multiple occurrence data structures, tables and arrays, the reset value of every occurrence or element is saved.
- If a RESET occurs during the initialization routine of the program, an error message will be issued at run time. If a GOTO or CABxx is used to leave subroutine calculations during processing of the \*INZSR, or if control passes to another part of the cycle as the result of error processing, the part of the initialization step which initializes the save areas will never be reached. In this case, an error message will be issued for all RESET operations in the program at run time.
- A RESET operation within a subprocedure to a global variable or structure is valid in the following circumstances:
  - If there is no \*INZSR, it is always valid

- If there is a \*INZSR, it is not valid until the \*INZSR has completed at least once. After that, it is always valid, even if the main procedure is not active.

**Attention!**

When the RESET values are saved, a pointer-not-set error will occur if the following are *all* true:

- There is no \*INZSR
- An entry parameter to the main procedure is RESET anywhere in the module
- A subprocedure is called before the main procedure has ever been called

For more information, see “CLEAR (Clear)” on page 598.

### RESET Examples

Except for the actual operation performed on the fields, the considerations shown in the following examples also apply to the CLEAR operation. Figure 341 on page 746 shows an example of the RESET operation with \*NOKEY.

## RESET (Reset)

```

*...1....+....2....+....3....+....4....+....5....+....6....+....7....+....
FFilename++IPEASFRlen+LKlen+AIDevice+.Keywords+++++++
EXTFILE 0 E DISK
DName+++++++ETDsFrom+++To/L+++IDc.Functions+++++++
* The file EXTFILE contains one record format RECFMT containing
* the character fields CHAR1 and CHAR2 and the numeric fields
* NUM1 and NUM2. It has keyfields CHAR2 and NUM1.
D
D DS1 DS
D DAY1 1 8 INZ('MONDAY')
D DAY2 9 16 INZ('THURSDAY')
D JDATE 17 22
D
CL0N01Factor1+++++Opcode(E)+Factor2+++++Result+++++Len++D+HiLoEq...
*
* The following operation sets DAY1, DAY2, and JDATE to blanks.
C
C CLEAR DS1
C
* The following operation will set DAY1, DAY2, and JDATE to their
* reset values of 'MONDAY', 'THURSDAY', and UDATE respectively.
* The reset value of UDATE for JDATE is set in the *INZSR.
C
C RESET DS1
C
* The following operation will set CHAR1 and CHAR2 to blanks and
* NUM1 and NUM2 to zero.
C CLEAR RECFMT
* The following operation will set CHAR1, CHAR2, NUM1, and
* NUM2 to their reset values of 'NAME', 'ADDRESS', 1, and 2
* respectively. These reset values are set in the *INZSR.
*
C RESET RECFMT
* The following operation sets all fields in the record format
* to blanks, except the key fields CHAR2 and NUM1.
*
C *NOKEY RESET *ALL RECFMT
C RETURN
C
C *INZSR BEGSR
C MOVEL UDATE JDATE
C MOVEL 'NAME ' CHAR1
C MOVEL 'ADDRESS ' CHAR2
C Z-ADD 1 NUM1
C Z-ADD 2 NUM2
C ENDSR
ORCDNAME+++D...N01N02N03EXCNAM++++.....
O.....N01N02N03FIELD+++++...B.....
ORECFMT T
O CHAR1
O CHAR2
O NUM1
O NUM2

```

Figure 341. RESET Operation with \*NOKEY



|   |   |        |      |
|---|---|--------|------|
| A | R | RECFMT |      |
| A |   | CHAR1  | 10A  |
| A |   | CHAR2  | 10A  |
| A |   | NUM1   | 5P 0 |
| A |   | NUM2   | 7S 2 |

Figure 342. DDS for EXTFILE

Figure 343 on page 748 shows an excerpt of a source listing for a program that uses two externally described files, RESETIB and RESETON. Each has two record formats, and each record format contains an input field FLDIN, an output field FLDOUT, and a field FLDBOTH, that is input-output capable. The DDS are shown in Figure 344 on page 749 and Figure 345 on page 749.

Because RESETIB is defined as a combined file, the fields for RECBOOTH, which are defined as input-output capable, are available on both input and output specifications. On the other hand, the fields for RECIN are on input specifications only.

## RESET (Reset)

```

1 * The file RESETIB contains 2 record formats RECIN and RECBOTh.
2 FRESETIB CF E WORKSTN
3 * The file RESETON contains 2 record formats RECOuT and RECNONE.
4 FRESETON O E WORKSTN
5
6=IRECIN
7=I A 1 1 *IN02
8=I A 2 11 FLDIN
9=I A 12 21 FLDBOTH
10=IRECBOTh
11=I A 1 1 *IN04
12=I A 2 11 FLDIN
13=I A 12 21 FLDBOTH
14 C WRITE RECOuT
15 C WRITE RECBOTH
16 C READ RECIN ----99
17 C READ RECBOTH ----99
18
19 * RESET without factor 2 means to reset only those fields which
20 * appear on the output specifications for the record format.
21 * Since only RECOuT and RECBOTH have write operations, the
22 * RESET operations for RECNONE and RECIN will have no effect.
23 * The RESET operations for RECOuT and RECBOTH will reset fields
24 * FLDOUT and FLDBOTH. FLDIN will not be affected.
25 C RESET RECNONE
26 C RESET RECIN
27 C RESET RECOuT
28 C RESET RECBOTH
29
30 * RESET with *ALL in factor 2 means to reset all fields. Note
31 * that this can only be done when all fields are used in at least
32 * one of the ways they are defined (for example, an output-capable
33 * field must be used for output by the record format)
34 * Since RECNONE does not have either input or output operations,
35 * the RESET *ALL for RECNONE will fail at compile time.
36 * Since RECIN does not have any output operations, RESET *ALL RECIN
37 * will fail because FLDOUT is not output.
38 * Since RECOuT does not have any input operations, and is not defined
39 * as input capable on the file specification, RESET *ALL RECOuT
40 * will fail because FLDIN is not input.
41 * The RESET *ALL for RECBOTH will reset all fields: FLDIN, FLDOUT
42 * and FLDBOTH.
43 C RESET *ALL RECNONE
44 C RESET *ALL RECIN
45 C RESET *ALL RECOuT
46 C RESET *ALL RECBOTH
47
48 C SETON LR----
49=ORECBOTh
50=0 *IN14 1A CHAR 1
51=0 FLDOUT 11A CHAR 10
52=0 FLDBOTH 21A CHAR 10
53=ORECOuT
54=0 *IN13 1A CHAR 1
55=0 FLDOUT 11A CHAR 10
56=0 FLDBOTH 21A CHAR 10

```

Figure 343. RESET with \*ALL – Source Listing Excerpt. The input and output specifications with '=' after the listing line number are generated by the compiler.

When the source is compiled, several errors are identified. Both RECNONE and RECIN are identified as having no output fields. The RESET \*ALL is disallowed for all but the RECBOTH record, since it is the only record format for which all fields appear on either input or output specifications.

|   |    |         |        |   |   |          |
|---|----|---------|--------|---|---|----------|
| A | R  | RECIN   |        |   |   | CF02(02) |
| A |    | FLDIN   | 10A    | I | 2 | 2        |
| A |    | FLDOUT  | 10A    | O | 3 | 2        |
| A | 12 | FLDBOTH | 10A    | B | 4 | 2        |
| A |    | R       | RECBOH |   |   | CF04(04) |
| A |    | FLDIN   | 10A    | I | 2 | 2        |
| A |    | FLDOUT  | 10A    | O | 3 | 2        |
| A | 14 | FLDBOTH | 10A    | B | 4 | 2        |

Figure 344. DDS for RESE<sup>T</sup>IB

|   |    |         |       |   |   |          |
|---|----|---------|-------|---|---|----------|
| A | R  | RECNONE |       |   |   | CF01(01) |
| A |    | FLDIN   | 10A   | I | 2 | 2        |
| A |    | FLDOUT  | 10A   | O | 3 | 2        |
| A | 11 | FLDBOTH | 10A   | B | 4 | 2        |
| A |    | R       | RECOU |   |   | CF03(03) |
| A |    | FLDIN   | 10A   | I | 2 | 2        |
| A |    | FLDOUT  | 10A   | O | 3 | 2        |
| A | 13 | FLDBOTH | 10A   | B | 4 | 2        |

Figure 345. DDS for RESE<sup>T</sup>ON

## RETURN (Return to Caller)

---

### RETURN (Return to Caller)

|                  |                                 |
|------------------|---------------------------------|
| Free-Form Syntax | RETURN{(HMR)} <i>expression</i> |
|------------------|---------------------------------|

| Code              | Factor 1 | Extended Factor 2 |
|-------------------|----------|-------------------|
| RETURN (H<br>M/R) |          | <i>expression</i> |

The RETURN operation causes a return to the caller. If a value is returned to the caller, the return value is specified in the *expression* operand.

The actions which occur as a result of the RETURN operation differ depending on whether the operation is in a subprocedure. When a program or main procedure returns, the following occurs:

1. The halt indicators are checked. If a halt indicator is on, the procedure ends abnormally. (All open files are closed, an error return code is set to indicate to the calling routine that the procedure has ended abnormally, and control returns to the calling routine.)
2. If no halt indicators are on, the LR indicator is checked. If LR is on, the program ends normally. (Locked data area structures, arrays, and tables are written, and external indicators are reset.)
3. If no halt indicator is on and LR is not on, the procedure returns to the calling routine. Data is preserved for the next time the procedure is run. Files and data areas are not written out. See the chapter on calling programs and procedures in the *WebSphere Development Studio: ILE RPG Programmer's Guide* for information on how running in a \*NEW activation group affects the operation of RETURN.

When a subprocedure returns, the return value, if specified on the prototype of the called program or procedure, is passed to the caller. Nothing else occurs automatically. All files and data areas must be closed manually. You can set on indicators such as LR, but this will not cause program termination to occur. For information on how operation extenders H, M, and R are used, see "Precision Rules for Numeric Operations" on page 448.

In a subprocedure that returns a value, a RETURN operation must be coded within the subprocedure. The actual returned value has the same role as the left-hand side of the EVAL expression, while the extended factor 2 of the RETURN operation has the same role as the right-hand side. An array may be returned only if the prototype has defined the return value as an array.

**Attention!**

If the subprocedure returns a value, you should ensure that a RETURN operation is performed before reaching the end of the procedure. If the subprocedure ends without encountering a RETURN operation, an exception is signalled to the caller.

For more information, see "Call Operations" on page 404.

```

* This is the prototype for subprocedure RETNONE. Since the
* prototype specification does not have a data type, this
* subprocedure does not return a value.
D RetNone PR
* This is the prototype for subprocedure RETFLD. Since the
* prototype specification has the type 5P 2, this subprocedure
* returns a packed value with 5 digits and 2 decimals.
* The subprocedure has a 5-digit integer parameter, PARM,
* passed by reference.
D RetFld PR 5P 2
D Parm 5I 0
* This is the prototype for subprocedure RETARR. The data
* type entries for the prototype specification show that
* this subprocedure returns a date array with 3 elements.
* The dates are in *YMD/ format.
D RetArr PR D DIM(3) DATFMT(*YMD/)
* This procedure (P) specification indicates the beginning of
* subprocedure RETNONE. The data specification (D) specification
* immediately following is the procedure-interface
* specification for this subprocedure. Note that the
* procedure interface is the same as the prototype except for
* the definition type (PI vs PR).
P RetNone B
D RetNone PI
* RetNone does not return a value, so the RETURN
* operation does not have factor 2 specified.
C RETURN
P RetNone E
* The following 3 specifications contain the beginning of
* the subprocedure RETFLD as well as its procedure interface.
P RetFld B
D RetFld PI 5P 2
D Parm 5I 0
D Fld S 12S 1 INZ(13.8)
* RetFld returns a numeric value. The following RETURN
* operations show returning a literal, an expression and a
* variable. Note that the variable is not exactly the same
* format or length as the actual return value.
C RETURN 7
C RETURN Parm * 15
C RETURN Fld
P RetFld E

```

Figure 346. Examples of the RETURN Operation (Part 1 of 2)

## RETURN (Return to Caller)

```
* The following 3 specifications contain the beginning of the
* subprocedure RETARR as well as its procedure interface.
P RetArr B
D RetArr PI D DIM(3)
D SmallArr S D DIM(2) DATFMT(*ISO)
D BigArr S D DIM(4) DATFMT(*USA)
* RetArr returns a date array. Note that the date
* format of the value specified on the RETURN operation
* does not have to be the same as the defined return
* value.
* The following RETURN operation specifies a literal.
* The caller receives an array with the value of the
* literal in every element of the array.
C RETURN D'1995-06-27'
* The following return operation returns an array
* with a smaller dimension than the actual return value.
* In this case, the third element would be set to the
* default value for the array.
C RETURN SmallArr
* The following return operation returns an array
* with a larger dimension than the actual return
* value. In this case, the fourth element of BigArr
* would be ignored.
C RETURN BigArr
P RetArr E
```

Figure 346. Examples of the RETURN Operation (Part 2 of 2)

## ROLBK (Roll Back)

|                  |            |
|------------------|------------|
| Free-Form Syntax | ROLBK{(E)} |
|------------------|------------|

| Code      | Factor 1 | Factor 2 | Result Field | Indicators |    |   |
|-----------|----------|----------|--------------|------------|----|---|
| ROLBK (E) |          |          |              | -          | ER | - |

The ROLBK operation:

- Eliminates all the changes to your files that have been specified in output operations since the previous COMMIT or ROLBK operation (or since the beginning of operations under commitment control if there has been no previous COMMIT or ROLBK operation).
- Releases all the record locks for the files you have under commitment control.
- Repositions the file to its position at the time of the previous COMMIT operation (or at the time of the file OPEN, if there has been no previous COMMIT operation.)

Commitment control starts when the CL command STRCMTCTL is executed. See the chapter on “Commitment Control” in the *WebSphere Development Studio: ILE RPG Programmer’s Guide* for more information.

The file changes and the record-lock releases apply to all the files under commitment control in your activation group or job, whether the changes have been requested by the program issuing the ROLBK operation or by another program in the same activation group or job. The program issuing the ROLBK operation does not need to have any files under commitment control. For example, suppose program A calls program B and program C. Program B has files under commitment control, and program C does not. A ROLBK operation in program C still affects the files changed by program B.

To handle ROLBK exceptions (program status codes 802 to 805), either the operation code extender ‘E’ or an error indicator ER can be specified, but not both. For more information on error handling, see “Program Exception/Errors” on page 82.

For information on how the rollback function is performed by the system, refer to *Backup and Recovery*, SC41-5304-08.

For more information, see “File Operations” on page 416.

## SCAN (Scan String)

---

### SCAN (Scan String)

|                  |                                                 |
|------------------|-------------------------------------------------|
| Free-Form Syntax | (not allowed - use the %SCAN built-in function) |
|------------------|-------------------------------------------------|

| Code     | Factor 1                      | Factor 2                  | Result Field       | Indicators |    |    |
|----------|-------------------------------|---------------------------|--------------------|------------|----|----|
| SCAN (E) | <u>Compare string</u> :length | <u>Base string</u> :start | Left-most position | -          | ER | FD |

The SCAN operation scans a string (base string) contained in factor 2 for a substring (compare string) contained in factor 1. The scan begins at a specified location contained in factor 2 and continues for the length of the compare string which is specified in factor 1. The compare string and base string must both be of the same type, either both character, both graphic, or both UCS-2.

Factor 1 must contain either the compare string or the compare string, followed by a colon, followed by the length. The compare string portion of factor 1 can contain one of: a field name, array element, named constant, data structure name, literal, or table name. The length portion must be numeric with no decimal positions and can contain one of: a named constant, array element, field name, literal, or table name. If no length is specified, it is that of the compare string.

Factor 2 must contain either the base string or the base string, followed by a colon, followed by the start location of the SCAN. The base string portion of factor 2 can contain one of: a field name, array element, named constant, data structure name, literal, or table name. The start location portion of factor 2 must be numeric with no decimal positions and can be a named constant, array element, field name, literal, or table name. If graphic or UCS-2 strings are used, the start position and length are measured in double bytes. If no start location is specified, a value of 1 is used.

The result field contains the numeric value of the leftmost position of the compare string in the base string, if found. It must be numeric with no decimal positions and can contain one of: a field name, array element, array name, or table name. The result field is set to 0 if the string is not found. If the result field contains an array, each occurrence of the compare string is placed in the array with the leftmost occurrence in element 1. The array elements following the element containing the rightmost occurrence are all zero. The result array should be as large as the field length of the base string specified in factor 2.

#### Notes:

1. The strings are indexed from position 1.
2. If the start position is greater than 1, the result field contains the position of the compare string relative to the beginning of the source string, not relative to the start position.
3. Figurative constants cannot be used in the factor 1, factor 2, or result fields.
4. No overlapping within data structures is allowed for factor 1 and the result field or factor 2 and the result field.

To handle SCAN exceptions (program status code 100), either the operation code extender 'E' or an error indicator ER can be specified, but not both. An error occurs if the start position is greater than the length of factor 2 or if the value of factor 1 is too large. For more information on error handling, see "Program Exception/Errors" on page 82.



You can specify an indicator in positions 75-76 that is set on if the string being scanned for is found. This information can also be obtained from the %FOUND built-in function, which returns '1' if a match is found.

The SCAN begins at the leftmost character of factor 2 (as specified by the start location) and continues character by character, from left to right, comparing the characters in factor 2 to those in factor 1. If the result field is not an array, the SCAN operation will locate only the first occurrence of the compare string. To continue scanning beyond the first occurrence, use the result field from the previous SCAN operation to calculate the starting position of the next SCAN. If the result field is a numeric array, as many occurrences as there are elements in the array are noted. If no occurrences are found, the result field is set to zero; if the result field is an array, all its elements are set to zero.

Leading, trailing, or embedded blanks specified in the compare string are included in the SCAN operation.

The SCAN operation is case-sensitive. A compare string specified in lowercase will not be found in a base string specified in uppercase.

For more information, see "String Operations" on page 429.

## SCAN (Scan String)

```

*...1....+....2....+....3....+....4....+....5....+....6....+....7...+....
CL0N01Factor1+++++Opcode(E)+Factor2+++++Result+++++Len++D+HiLoEq....
*
* The SCAN operation finds the substring 'ABC' starting in
* position 3 in factor 2; 3 is placed in the result field.
* Indicator 90 is set on because the string is found. Because
* no starting position is specified, the default of 1 is used.
C 'ABC' SCAN 'XCABCD' RESULT 90
*
* This SCAN operation scans the string in factor 2 for an
* occurrence of the string in factor 1 starting at position 3.
* The 'Y' in position 1 of the base string is ignored because
* the scan operation starts from position 3.
* The operation places the values 5 and 6 in the first and
* second elements of the array. Indicator 90 is set on.
C
C MOVE 'YARRY' FIELD1 6
C MOVE 'Y' FIELD2 1
C FIELD2 SCAN FIELD1:3 ARRAY 90
*
* This SCAN operation scans the string in factor 2, starting
* at position 2, for an occurrence of the string in factor 1
* for a length of 4. Because 'TOOL' is not found in FIELD1,
* INT is set to zero and indicator 90 is set off.
C
C MOVE 'TESTING' FIELD1 7
C Z-ADD 2 X 1 0
C MOVE 'TOOL' FIELD2 5
C FIELD2:4 SCAN FIELD1:X INT90 20
C
*
* The SCAN operation is searching for a name. When the name
* is found, %FOUND returns '1' so HandleLine is called.
C SrchName SCAN Line
C IF %FOUND
C EXSR HandleLine
C ENDIF

```

Figure 347. SCAN Operation

```

*...1....+....2....+....3....+....4....+....5....+....6....+....7...+....
DName+++++ETDsFrom+++To/L+++IDc.Functions+++++
*
* A Graphic SCAN example
*
* Value of Graffld is graphic 'AACCBGG'.
* Value of Number after the scan is 3 as the 3rd graphic
* character matches the value in factor 1
D Graffld S 4G inz(G'oAACCBGGi')
CL0N01Factor1+++++Opcode(E)+Factor2+++++Result+++++Len++D+HiLoEq..
* The SCAN operation scans the graphic string in factor 2 for
* an occurrence of the graphic literal in factor 1. As this is a
* graphic operation, the SCAN will operate on 2 bytes at a time
C
C G'oBBi' SCAN Graffld:2 Number 5 0 90
C

```

Figure 348. SCAN Operation using graphic

---

**SELECT (Begin a Select Group)**

|                  |        |
|------------------|--------|
| Free-Form Syntax | SELECT |
|------------------|--------|

| Code   | Factor 1 | Factor 2 | Result Field | Indicators |  |  |
|--------|----------|----------|--------------|------------|--|--|
| SELECT |          |          |              |            |  |  |

The select group conditionally processes one of several alternative sequences of operations. It consists of:

- A SELECT statement
- Zero or more WHENxx or WHEN groups
- An optional OTHER group
- ENDSL or END statement.

After the SELECT operation, control passes to the statement following the first WHENxx condition that is satisfied. All statements are then executed until the next WHENxx operation. Control passes to the ENDSL statement (only one WHENxx is executed). If no WHENxx condition is satisfied and an OTHER operation is specified, control passes to the statement following the OTHER operation. If no WHENxx condition is satisfied and no OTHER operation is specified, control transfers to the statement following the ENDSL operation of the select group.

Conditioning indicators can be used on the SELECT operation. If they are not satisfied, control passes immediately to the statement following the ENDSL operation of the select group. Conditioning indicators cannot be used on WHENxx, WHEN, OTHER and ENDSL operation individually.

The select group can be specified anywhere in calculations. It can be nested within IF, DO, or other select groups. The IF and DO groups can be nested within select groups.

If a SELECT operation is specified inside a select group, the WHENxx and OTHER operations apply to the new select group until an ENDSL is specified.

For more information, see “Structured Programming Operations” on page 431.

## SELECT (Begin a Select Group)

```

*...1....+....2....+....3....+....4....+....5....+....6....+....7....+....
CL0N01Factor1+++++Opcode(E)+Factor2+++++Result+++++Len++D+HiLoEq....
*
* In the following example, if X equals 1, do the operations in
* sequence 1 (note that no END operation is needed before the
* next WHENxx); if X does NOT equal 1, and if Y=2 and X<10, do the
* operations in sequence 2. If neither condition is true, do
* the operations in sequence 3.
*
C SELECT
C WHEN X = 1
C Z-ADD A B
C MOVE C D
* Sequence 1
C :
C WHEN ((Y = 2) AND (X < 10))
* Sequence 2
C :
C OTHER
* Sequence 3
C :
C ENDSL
*
* The following example shows a select group with conditioning
* indicators. After the CHAIN operation, if indicator 10 is on,
* then control passes to the ADD operation. If indicator 10 is
* off, then the select group is processed.
*
C KEY CHAIN FILE 10
C N10 SELECT
C WHEN X = 1
* Sequence 1
C :
C WHEN Y = 2
* Sequence 2
C :
C ENDSL
C ADD 1 N

```

Figure 349. SELECT Operation

---

## SETGT (Set Greater Than)

|                  |                                      |
|------------------|--------------------------------------|
| Free-Form Syntax | SETGT{(EHMR)} <i>search-arg name</i> |
|------------------|--------------------------------------|

| Code      | Factor 1          | Factor 2                            | Result Field | Indicators |    |   |
|-----------|-------------------|-------------------------------------|--------------|------------|----|---|
| SETGT (E) | <u>search-arg</u> | <u>name</u> (file or record format) |              | NR         | ER | - |

The SETGT operation positions a file at the next record with a key or relative record number that is greater than the key or relative record number specified in factor 1. The file must be a full procedural file (identified by an F in position 18 of the file description specifications).

The search argument, *search-arg*, must be the key or relative record number used to retrieve the record. If access is by key, *search-arg* can be a single key in the form of a field name, a named constant, a figurative constant, or a literal. See Figure 263 on page 591 for an example of searching key fields.

If the file is an externally-described file, *search-arg* can also be a composite key in the form of a KLIST name, a list of values, or %KDS. Graphic and UCS-2 key fields must have the same CCSID as the key in the file. See the example at the end of “%KDS (Search Arguments in Data Structure)” on page 507 for an illustration of search arguments in a data structure. If access is by relative record number, *search-arg* must be an integer literal or a numeric field with zero decimal positions.

The *name* operand is required and must be either a file name or a record format name. A record format name is allowed only with an externally described file.

You can specify an indicator in positions 71-72 that is set on if no record is found with a key or relative record number that is greater than the search argument specified (*search-arg*). This information can also be obtained from the %FOUND built-in function, which returns '0' if no record is found, and '1' if a record is found..

To handle SETGT exceptions (file status codes greater than 1000), either the operation code extender 'E' or an error indicator ER can be specified, but not both. For more information on error handling, see “File Exception/Errors” on page 65.

If the SETGT operation is not successful (no-record-found condition), the file is positioned to the end of the file.

Figurative constants can also be used to position the file.

**Note:** The discussion and examples of using figurative constants which follow, assume that \*LOVAL and \*HIVAL are not used as actual keys in the file.

When used with a file with a composite key, figurative constants are treated as though each field of the key contained the figurative constant value. In most cases, \*LOVAL positions the file so that the first read retrieves the record with the lowest key. In most cases, \*HIVAL positions the file so that a READ receives an end-of-file indication; a subsequent READP retrieves the last record in the file. However, note the following cases for using \*LOVAL and \*HIVAL:

- With an externally described file that has a key in descending order, \*HIVAL positions the file so that the first read operation retrieves the first record in the

## SETGT (Set Greater Than)

file (the record with the highest key), and \*LOVAL positions the file so that a READP operation retrieves the last record in the file (the record with the lowest key).

- If a record is added or a key field is altered after a SETGT operation with either \*LOVAL or \*HIVAL, the file may no longer be positioned to the record with the lowest or highest key. key value X'99...9D' and \*HIVAL for numeric keys represents a key value X'99...9F'. If the keys are float numeric, \*LOVAL and \*HIVAL are defined differently. See "Figurative Constants" on page 126. When a program described file has a packed decimal key specified in the file specifications but the actual file key field contains character data, records may have keys that are less than \*LOVAL or greater than \*HIVAL. When a key field contains unsigned binary data, \*LOVAL may not be the lowest key.

When \*LOVAL or \*HIVAL are used with key fields with a Date or Time data type, the values are dependent of the Date-Time format used. For details on these values please see Chapter 10, "Data Types and Data Formats," on page 169.

Following the SETGT operation, a file is positioned so that it is immediately before the first record whose key or relative record number is greater than the search argument specified (*search-arg*). You retrieve this record by reading the file. Before you read the file, however, records may be deleted from the file by another job or through another file in your job. Thus, you may not get the record you expected. For information on preventing unexpected modification of your files, see the discussion of allocating objects in the iSeries Information Center Programming topic at URL <http://www.ibm.com/eserver/iseriess/infocenter>.

See "Database Null Value Support" on page 209 for information on handling records with null-capable fields and keys.

For more information, see "File Operations" on page 416.

**Note:** Operation code extenders H, M, and R are allowed only when the search argument is a list or is %KDS().

## SETGT (Set Greater Than)

```

*...1....+....2....+....3....+....4....+....5....+....6....+....7....+....
CL0N01Factor1+++++Opcode(E)+Factor2+++++Result+++++Len++D+HiLoEq....
* This example shows how to position the file so READ will read
* the next record. The search argument, KEY, specified for the
* SETGT operation has a value of 98; therefore, SETGT positions
* the file before the first record of file format FILEA that
* has a key field value greater than 98. The file is positioned
* before the first record with a key value of 100. The READ
* operation reads the record that has a value of 100 in its key
* field.
C
C KEY SETGT FILEA
C READ FILEA
C 64
*
* This example shows how to read the last record of a group of
* records with the same key value and format from a program
* described file. The search argument, KEY, specified for the
* SETGT operation positions the file before the first record of
* file FILEB that has a key field value greater than 70.
* The file is positioned before the first record with a key
* value of 80. The READP operation reads the last record that
* has a value of 70 in its key field.
C
C KEY SETGT FILEB
C READP FILEB
C 64

```

Figure 350. SETGT Operation (Part 1 of 4)

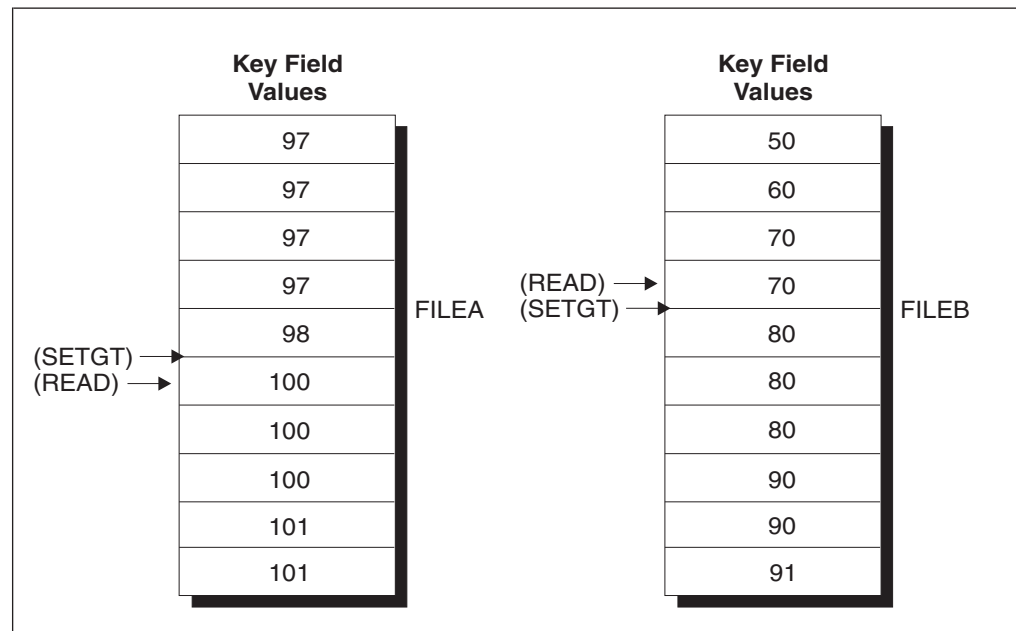


Figure 350. SETGT Operation (Part 2 of 4)

## SETGT (Set Greater Than)

```

*...1....+....2....+....3....+....4....+....5....+....6....+....7...+....
CL0N01Factor1+++++Opcode(E)+Factor2+++++Result+++++Len++D+HiLoEq....
*
* This example shows the use of *LOVAL. The SETLL operation
* positions the file before the first record of a file in
* ascending order. The READ operation reads the first record
* (key value 97).
C
C *LOVAL SETLL RECDA
C READ RECDA
C
C 64
*
* This example shows the use of *HIVAL. The SETGT operation
* positions the file after the last record of a file in ascending
* order. The READP operation reads the last record (key value 91).
C
C *HIVAL SETGT RECDB
C READP RECDB
C
C 64

```

Figure 350. SETGT Operation (Part 3 of 4)

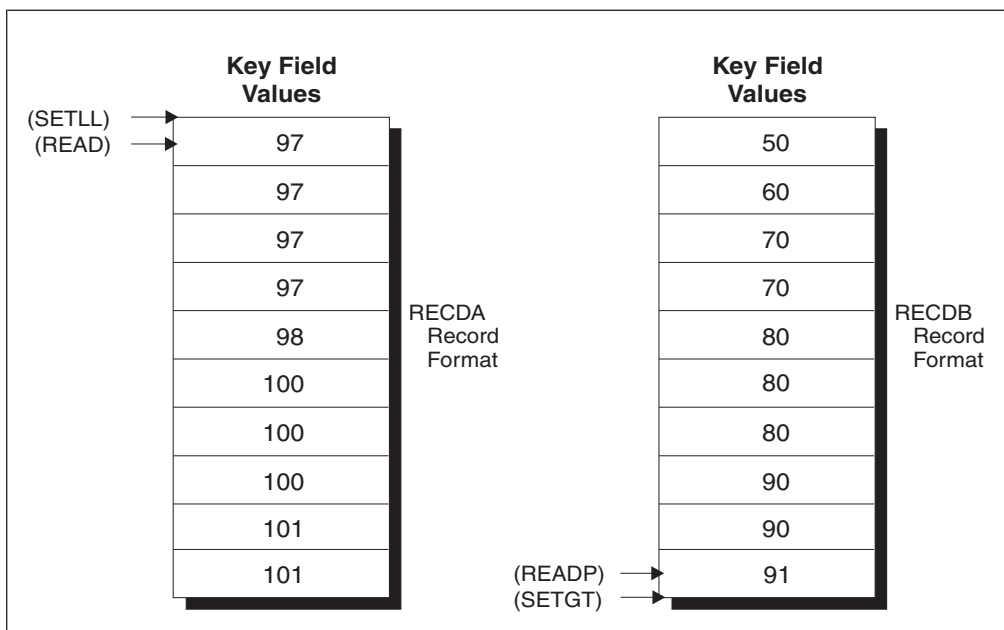


Figure 350. SETGT Operation (Part 4 of 4)



---

**SETLL (Set Lower Limit)**

|                  |                                      |
|------------------|--------------------------------------|
| Free-Form Syntax | SETLL{(EHMR)} <i>search-arg name</i> |
|------------------|--------------------------------------|

| Code      | Factor 1          | Factor 2                            | Result Field | Indicators |    |    |
|-----------|-------------------|-------------------------------------|--------------|------------|----|----|
| SETLL (E) | <u>search-arg</u> | <u>name</u> (file or record format) |              | NR         | ER | EQ |

The SETLL operation positions a file at the next record that has a key or relative record number that is greater than or equal to the search argument (key or relative record number) operand specified (*search-arg*). The file must be a full procedural file (identified by an F in position 18 of the file description specifications).

The search argument, *search-arg*, must be the key or relative record number used to retrieve the record. If access is by key, *search-arg* can be a single key in the form of a field name, a named constant, a figurative constant, or a literal. See Figure 263 on page 591 for an example of searching key fields.

If the file is an externally-described file, *search-arg* can also be a composite key in the form of a KLIST name, a list of values, or %KDS. Graphic and UCS-2 key fields must have the same CCSID as the key in the file. See the example at the end of “%KDS (Search Arguments in Data Structure)” on page 507 for an illustration of search arguments in a data structure. If access is by relative record number, *search-arg* must be an integer literal or a numeric field with zero decimal positions.

The *name* operand is required and can contain either a file name or a record format name. A record format name is allowed only with an externally described file.

The resulting indicators reflect the status of the operation. You can specify an indicator in positions 71-72 that is set on when the search argument is greater than the highest key or relative record number in the file. This information can also be obtained from the %FOUND built-in function, which returns '0' if no record is found, and '1' if a record is found.

To handle SETLL exceptions (file status codes greater than 1000), either the operation code extender 'E' or an error indicator ER can be specified, but not both. For more information on error handling, see “File Exception/Errors” on page 65.

You can specify an indicator in positions 75-76 that is set on when a record is present whose key or relative record number is equal to the search argument. This information can also be obtained from the %EQUAL built-in function, which returns '1' if an exact match is found.

When using SETLL with an indicator in positions 75 and 76 or with %EQUAL, the comparison between the specified key and the actual key in the file is normally done by data management. In some cases this is impossible, causing the comparison to be done using the hexadecimal collating sequence. This can give different results than expected. For more information, see the section “Unexpected Results Using Keyed Files” in *WebSphere Development Studio: ILE RPG Programmer’s Guide*.

If *name* is a file name for which the lower limit is to be set, the file is positioned at the first record with a key or relative record number equal to or greater than the search argument specified (*search-arg*).

## SETLL (Set Lower Limit)

If *name* is a record format name for which the lower limit is to be set, the file is positioned at the first record of the specified type that has a key equal to or greater than the search argument specified (*search-arg*).

Figurative constants can be used to position the file.

**Note:** The discussion and examples of using figurative constants which follow, assume that \*LOVAL and \*HIVAL are not used as actual keys in the file.

When used with a file with a composite key, figurative constants are treated as though each field of the key contained the figurative constant value. Using SETLL with \*LOVAL positions the file so that the first read retrieves the record with the lowest key. In most cases (when duplicate keys are not allowed), \*HIVAL positions the file so that a READP retrieves the last record in the file, or a READ receives an end-of-file indication. However, note the following cases for using \*LOVAL and \*HIVAL:

- With an externally described file that has a key in descending order, \*HIVAL positions the file so that the first read operation retrieves the first record in the file (the record with the highest key), and \*LOVAL positions the file so that a READP operation retrieves the last record in the file (the record with the lowest key).
- If a record is added or a key field altered after a SETLL operation with either \*LOVAL or \*HIVAL, the file may no longer be positioned to the record with the lowest or highest key.
- \*LOVAL for numeric keys represents a key value X'99...9D' and \*HIVAL represents a key value X'99...9F'. If the keys are float numeric, \*HIVAL and \*LOVAL are defined differently. See "Figurative Constants" on page 126. When a program described file has a packed decimal key specified in the file specifications but the actual file key field contains character data, records may have keys that are less than \*LOVAL or greater than \*HIVAL. When a key field contains unsigned binary data, \*LOVAL may not be the lowest key.

When \*LOVAL or \*HIVAL are used with key fields with a Date or Time data type, the values are dependent of the Date-Time format used. For details on these values please see Chapter 10, "Data Types and Data Formats," on page 169.

You can use the special values \*START and \*END for *search-arg*. \*START positions to the beginning of the file and \*END positions to the end of the file. Both positionings are independent of the collating sequence used for keyed files. If you specify either \*START or \*END for *search-arg*, note the following:

- The *name* operand must be specified.
- Either an error indicator (positions 73-74) or the 'E' extender may be specified.

Figure 350 on page 761 (part 3 of 4) shows the use of figurative constants with the SETGT operation. Figurative constants are used the same way with the SETLL operation.

Remember the following when using the SETLL operation:

- If the SETLL operation is not successful (no records found condition), the file is positioned to the end of the file.
- When end of file is reached on a file being processed by SETLL, another SETLL can be issued to reposition the file.
- After a SETLL operation successfully positions the file at a record, you retrieve this record by reading the file. Before you read the file, however, records may be

deleted from the file by another job or through another file in your job. Thus, you may not get the record you expected. Even if the %EQUAL built-in function is also set on or the resulting indicator in positions 75 and 76 is set on to indicate you found a matching record, you may not get that record. For information on preventing unexpected modification of your files, see the discussion of allocating objects in the iSeries Information Center Programming topic at URL <http://www.ibm.com/eserver/series/infocenter>.

- SETLL does not cause the system to access a data record. If you are only interested in verifying that a key actually exists, SETLL with an equal indicator (positions 75-76) or the %EQUAL built-in function is a better performing solution than the CHAIN operation in most cases. Under special cases of a multiple format logical file with sparse keys, CHAIN can be a faster solution than SETLL.

See “Database Null Value Support” on page 209 for information on handling records with null-capable fields and keys.

For more information, see “File Operations” on page 416.

**Note:** Operation code extenders H, M, and R are allowed only when the search argument is a list or is %KDS().

In the following example, the file ORDFIL contains order records. The key field is the order number (ORDER) field. There are multiple records for each order. ORDFIL looks like this in the calculation specifications:

## SETLL (Set Lower Limit)

```

*...1....+....2....+....3....+....4....+....5....+....6....+....7....+....
CL0N01Factor1+++++Opcode(E)+Factor2+++++Result+++++Len++D+HiLoEq....
*
* All the 101 records in ORDFIL are to be printed. The value 101
* has previously been placed in ORDER. The SETLL operation
* positions the file at the first record with the key value 101
* and %EQUAL will return '1'.
C
C ORDER SETLL ORDFIL
C
* The following DO loop processes all the records that have the
* same key value.
C
C IF %EQUAL
C DOU %EOF
C ORDER READE ORDFIL
C IF NOT %EOF
C EXCEPT DETAIL
C ENDF
C ENDDO
C ENDF
C
* The READE operation reads the second, third, and fourth 101
* records in the same manner as the first 101 record was read.
* After the fourth 101 record is read, the READE operation is
* attempted. Because the 102 record is not of the same group,
* %EOF will return '1', the EXCEPT operation is bypassed, and
* the DOU loop ends.

 ORDFIL

 ORDER Other Fields

 100 1st record of 100
 100 2nd record of 100
 100 3rd record of 100
 101 1st record of 101
 101 2nd record of 101
 101 3rd record of 101
 101 4th record of 101
 102 1st record of 102

```

(SETLL) →

Figure 351. SETLL Operation

## SETOFF (Set Indicator Off)

|                  |                                       |
|------------------|---------------------------------------|
| Free-Form Syntax | (not allowed - use EVAL *INxx = *OFF) |
|------------------|---------------------------------------|

| Code   | Factor 1 | Factor 2 | Result Field | Indicators |    |    |
|--------|----------|----------|--------------|------------|----|----|
| SETOFF |          |          |              | OF         | OF | OF |

The SETOFF operation sets off any indicators specified in positions 71 through 76. You must specify at least one resulting indicator in positions 71 through 76. Entries of 1P and MR are not valid. Setting off L1 through L9 indicators does not automatically set off any lower control-level indicators.

Figure 352 on page 768 illustrates the SETOFF operation.

For more information, see “Indicator-Setting Operations” on page 419.

## SETON (Set Indicator On)

### SETON (Set Indicator On)

|                  |                                      |
|------------------|--------------------------------------|
| Free-Form Syntax | (not allowed - use EVAL *INxx = *ON) |
|------------------|--------------------------------------|

| Code  | Factor 1 | Factor 2 | Result Field | Indicators |    |    |
|-------|----------|----------|--------------|------------|----|----|
| SETON |          |          |              | ON         | ON | ON |

The SETON operation sets on any indicators specified in positions 71 through 76. You must specify at least one resulting indicator in positions 71 through 76. Entries of 1P, MR, KA through KN, and KP through KY are not valid. Setting on L1 through L9 indicators does not automatically set on any lower control-level indicators.

For more information, see “Indicator-Setting Operations” on page 419.

```

*...1....+....2....+....3....+....4....+....5....+....6....+....7...+....
CL0N01Factor1+++++0pcode(E)+Factor2+++++Result+++++Len++D+HiLoEq....
*
* The SETON and SETOFF operations set from one to three indicators
* specified in positions 71 through 76 on and off.
* The SETON operation sets indicator 17 on.
C
C SETON 17
C
* The SETON operation sets indicators 17 and 18 on.
C
C SETON 1718
C
* The SETOFF operation sets indicator 21 off.
C
C SETOFF 21

```

Figure 352. SETON and SETOFF Operations

## SHTDN (Shut Down)

|                  |                                                 |
|------------------|-------------------------------------------------|
| Free-Form Syntax | (not allowed - use the %SHUT built-in function) |
|------------------|-------------------------------------------------|

| Code  | Factor 1 | Factor 2 | Result Field | Indicators |   |   |
|-------|----------|----------|--------------|------------|---|---|
| SHTDN |          |          |              | ON         | - | - |

The SHTDN operation allows the programmer to determine whether the system operator has requested shutdown. If the system operator has requested shutdown, the resulting indicator specified in positions 71 and 72 is set on. Positions 71 and 72 must contain one of the following indicators: 01 through 99, L1 through L9, U1 through U8, H1 through H9, LR, or RT.

The system operator can request shutdown by specifying the \*CNTRLD option on the following CL commands: ENDJOB (End Job), PWRDWN SYS (Power Down System), ENDSYS (End System), and ENDSBS (End Subsystem). For information on these commands, see the iSeries Information Center programming category.

Positions 73 through 76 must be blank.

For more information, see “Information Operations” on page 419.

```

*...1....+....2....+....3....+....4....+....5....+....6....+....7...+....
CL0N01Factor1+++++0pcode(E)+Factor2+++++Result+++++Len++D+HiLoEq....
*
* When the SHTDN operation is run, a test is made to determine
* whether the system operator has requested shutdown. If so,
* indicator 27 is set on.
C
C SHTDN 27
C 27 EXSR Term_app1
C :
C :
C Term_app1 BEGSR
C CLOSE *ALL
C :
C ENDSR

```

Figure 353. SHTDN Operation

## SORTA (Sort an Array)

### SORTA (Sort an Array)

|                  |                                                                             |
|------------------|-----------------------------------------------------------------------------|
| Free-Form Syntax | SORTA <i>array-name</i>                                                     |
|                  | SORTA %SUBARR( <i>array-name</i> : start-element { : number-of-elements } ) |

| Code  | Factor 1 | Extended Factor 2                                       |
|-------|----------|---------------------------------------------------------|
| SORTA |          | Array                                                   |
|       |          | %SUBARR(Array : start-element { :number-of-elements } ) |

The *array-name* operand is the name of an array to be sorted. The array is sorted into sequence (ascending or descending), depending on the sequence specified for the array on the definition specification. If no sequence is specified, the array is sorted into ascending sequence. The array \*IN cannot be specified.. If the array is defined as a compile-time or prerun-time array with data in alternating form, the alternate array is not sorted. Only the array specified as *array-name* is sorted.

If the array is defined with the OVERLAY keyword, the base array will be sorted in the sequence defined by the OVERLAY array.

Graphic arrays will be sorted by the hexadecimal values of the array elements, disregarding the alternate collating sequence, in the order specified on the definition specification.

#

To sort a portion of an array, use the %SUBARR built-in function.

#### Notes:

1. Sorting an array does not preserve any previous order. For example, if you sort an array twice, using different overlay arrays, the final sequence will be that of the last sort. Elements that are equal in the sort sequence but have different hexadecimal values (for example, due to alternate collating sequence or the use of an overlay array to determine sequence), may not be in the same order after sorting as they were before.
2. When sorting arrays of basing pointers, you must ensure that all values in the arrays are addresses within the same space. Otherwise, inconsistent results may occur. See “Compare Operations” on page 408 for more information.
3. If a null-capable array is sorted, the sorting will not take the settings of the null flags into consideration.
4. Sorting a dynamically allocated array without all defined elements allocated may cause errors to occur.

For more information, see “Array Operations” on page 402.



```

*...1....+....2....+....3....+....4....+....5....+....6....+....7....+....
DName+++++ETDsFrom+++To/L+++IDc.Keywords+++++
D ARRY S 1A DIM(8) ASCEND
D
CL0N01Factor1+++++Opcode(E)+Factor2+++++Result+++++Len++D+HiLoEq....
*
* The SORTA operation sorts ARRY into ascending sequence because
* the ASCEND keyword is specified.
* If the unsorted ARRY contents were GT1BA2L0, the sorted ARRY
* contents would be ABGLT012.
C
C SORTA ARRAY

```

Figure 354. SORTA Operation

```

*...1....+....2....+....3....+....4....+....5....+....6....+....7....+....
DName+++++ETDsFrom+++To/L+++IDc.Keywords+++++
* In this example, the base array has the values aa44 bb33 cc22 dd11
* so the overlaid array ARRO has the values 44 33 22 11.
D DS
D ARR 4 DIM(4) ASCEND
D ARRO 2 OVERLAY(ARR:3)
D
CL0N01Factor1+++++Opcode(E)+Factor2+++++Result+++++Len++D+HiLoEq....
C
* After the SORTA operation, the base array has the values
* dd11 cc22 bb33 aa44
C
C SORTA ARRO

```

Figure 355. SORTA Operation with OVERLAY

## SQRT (Square Root)

---

### SQRT (Square Root)

|                  |                                                 |
|------------------|-------------------------------------------------|
| Free-Form Syntax | (not allowed - use the %SQRT built-in function) |
|------------------|-------------------------------------------------|

| Code     | Factor 1 | Factor 2     | Result Field | Indicators |  |  |
|----------|----------|--------------|--------------|------------|--|--|
| SQRT (H) |          | <u>Value</u> | <u>Root</u>  |            |  |  |

The SQRT operation derives the square root of the field named in factor 2. The square root of factor 2 is placed in the result field.

Factor 2 must be numeric, and can contain one of: an array, array element, field, figurative constant, literal, named constant, subfield, or table name.

The result field must be numeric, and can contain one of: an array, array element, subfield, or table element.

An entire array can be used in a SQRT operation if factor 2 and the result field contain array names.

The number of decimal positions in the result field can be either less than or greater than the number of decimal positions in factor 2. However, the result field should not have fewer than half the number of decimal positions in factor 2.

If the value of the factor 2 field is zero, the result field value is also zero. If the value of the factor 2 field is negative, the RPG IV exception/error handling routine receives control.

For further rules on the SQRT operation, see "Arithmetic Operations" on page 398.

See Figure 152 on page 401 for an example of the SQRT operation.

---

**SUB (Subtract)**

|                  |                                           |
|------------------|-------------------------------------------|
| Free-Form Syntax | (not allowed - use the - or -= operators) |
|------------------|-------------------------------------------|

| Code    | Factor 1 | Factor 2          | Result Field      | Indicators |   |   |
|---------|----------|-------------------|-------------------|------------|---|---|
| SUB (H) | Minuend  | <u>Subtrahend</u> | <u>Difference</u> | +          | - | Z |

If factor 1 is specified, factor 2 is subtracted from factor 1 and the difference is placed in the result field. If factor 1 is not specified, the contents of factor 2 are subtracted from the contents of the result field.

Factor 1 and factor 2 must be numeric, and each can contain one of: an array, array element, field, figurative constant, literal, named constant, subfield, or table name.

The result field must be numeric, and can contain one of: an array, array element, subfield, or table name.

For rules for the SUB operation, see “Arithmetic Operations” on page 398.

See Figure 152 on page 401 for examples of the SUB operation.

## SUBDUR (Subtract Duration)

### SUBDUR (Subtract Duration)

|                  |                                                                                                                             |
|------------------|-----------------------------------------------------------------------------------------------------------------------------|
| Free-Form Syntax | not allowed - use the - or -= operators with duration functions such as %YEARS and %MONTHS, or the %DIFF built-in function) |
|------------------|-----------------------------------------------------------------------------------------------------------------------------|

| Code                     | Factor 1                    | Factor 2                      | Result Field                      | Indicators |    |   |
|--------------------------|-----------------------------|-------------------------------|-----------------------------------|------------|----|---|
| SUBDUR (E)<br>(duration) | <u>Date/Time/ Timestamp</u> | <u>Date/Time/ Timestamp</u>   | Duration:<br><u>Duration code</u> | -          | ER | - |
| SUBDUR (E)<br>(new date) | Date/Time/ Timestamp        | <u>Duration:Duration Code</u> | <u>Date/Time/ Timestamp</u>       | -          | ER | - |

The SUBDUR operation has been provided to:

- Subtract a duration to establish a new Date, Time or Timestamp
- Calculate a duration

### Subtract a duration

The SUBDUR operation can be used to subtract a duration specified in factor 2 from a field or constant specified in factor 1 and place the resulting Date, Time or Timestamp in the field specified in the result field.

Factor 1 is optional and may contain a Date, Time or Timestamp field, array, array element, literal or constant. If factor 1 contains a field name, array or array element then its data type must be the same type as the field specified in the result field. If factor 1 is not specified then the duration is subtracted from the field specified in the result field.

Factor 2 is required and contains two subfactors. The first is a numeric field, array or constant with zero decimal positions. If the field is negative then the duration is added to the field. The second subfactor must be a valid duration code indicating the type of duration. The duration code must be consistent with the result field data type. For example, you can subtract a year, month or day duration but not a minute duration from a date field. For list of duration codes and their short forms see "Date Operations" on page 412.

The result field must be a date, time or timestamp data type field, array or array element. If factor 1 is blank, the duration is subtracted from the value in the result field. If the result field is an array, the value in factor 2 is subtracted from each element in the array. If the result field is a time field, the result will always be a valid Time. For example, subtracting 59 minutes from 00:58:59 would give -00:00:01. Since this time is not valid, the compiler adjusts it to 23:59:59.

When subtracting a duration in months from a date, the general rule is that the month portion is decreased by the number of months in the duration, and the day portion is unchanged. The exception to this is when the resulting day portion would exceed the actual number of days in the resulting month. In this case, the resulting day portion is adjusted to the actual month end date. The following examples (which assume a \*YMD format) illustrate this point.

- '95/05/30' SUBDUR 1:\*MONTH results in '95/04/30'

The resulting month portion has been decreased by 1; the day portion is unchanged.

- '95/05/31' SUBDUR 1:\*MONTH results in '95/04/30'

The resulting month portion has been decreased by 1; the resulting day portion has been adjusted because April has only 30 days.

Similar results occur when subtracting a year duration. For example, subtracting one year from '92/02/29' results in '91/02/28', an adjusted value since the resulting year is not a leap year.

**Note:** The system places a 15 digit limit on durations. Subtracting a Duration with more than 15 significant digits will cause errors or truncation. These problems can be avoided by limiting the first subfactor in Factor 2 to 15 digits.

### Calculate a duration

The SUBDUR operation can also be used to calculate a duration between:

1. Two dates
2. A date and a timestamp
3. Two times
4. A time and a timestamp
5. Two timestamps

The data types in factor 1 and factor 2 must be compatible types as specified above.

Factor 1 is required and must contain a Date, Time or Timestamp field, subfield, array, array element, constant or literal.

Factor 2 is required and must also contain a Date, Time or Timestamp field, array, array element, literal or constant.

The following duration codes are valid:

- For two dates or a date and a timestamp: \*DAYS (\*D), \*MONTHS (\*M), and \*YEARS (\*Y)
- For two times or a time and a timestamp: \*SECONDS (\*S), \*MINUTES (\*MN), and \*HOURS (\*H)
- For two timestamps: \*MSECONDS (\*MS), \*SECONDS (\*S), \*MINUTES (\*MN), \*HOURS (\*H), \*DAYS (\*D), \*MONTHS (\*M), and \*YEARS (\*Y).

The result is a number of whole units, with any remainder discarded. For example, 61 minutes is equal to 1 hour and 59 minutes is equal to 0 hours.

The result field consists of two subfactors. The first is the name of a zero decimal numeric field, array or array element in which the result of the operation will be placed. The second subfactor contains a duration code denoting the type of duration. The result field will be negative if the date in factor 1 is earlier than the date in factor 2.

For more information on working with date-time fields see "Date Operations" on page 412.

**Note:** Calculating a micro-second Duration (\*mseconds) can exceed the 15 digit system limit for Durations and cause errors or truncation. This situation will occur when there is more than a 32 year and 9 month difference between the factor 1 and factor 2 entries.

## SUBDUR (Subtract Duration)

### Possible error situations

1. For subtracting durations:
  - If the value of the Date, Time or Timestamp field in factor 1 is invalid
  - If factor 1 is blank and the value of the result field before the operation is invalid
  - or if the result of the operation is greater than \*HIVAL or less than \*LOVAL.
2. For calculating durations:
  - If the value of the Date, Time or Timestamp field in factor 1 or factor 2 is invalid
  - or if the result field is not large enough to hold the resulting duration.

In each of these cases an error will be signalled.

If an error is detected, an error will be generated with one of the following program status codes:

- 00103: Result field not large enough to hold result
- 00112: Date, Time or Timestamp value not valid
- 00113: A Date overflow or underflow occurred (that is, the resulting Date is greater than \*HIVAL or less than \*LOVAL).

The value of the result field remains unchanged. To handle exceptions with program status codes 103, 112 or 113, either the operation code extender 'E' or an error indicator ER can be specified, but not both. For more information on error handling, see "Program Exception/Errors" on page 82.

### SUBDUR Examples

```
CL0N01Factor1+++++Opcode(E)+Factor2+++++Result+++++Len++D+HiLoEq...
* Determine a LOANDATE which is xx years, yy months, zz days prior to
* the DUEDATE.
C DUEDATE SUBDUR XX:*YEARS LOANDATE
C DUEDATE SUBDUR YY:*MONTHS LOANDATE
C DUEDATE SUBDUR ZZ:*DAYS LOANDATE
* Add 30 days to a loan due date
*
C DUEDATE SUBDUR -30:*D LOANDUE
* Calculate the number of days between LOANDATE and DUEDATE.
* If DUEDATE is after LOANDATE, the value of NUM_DAYS will be positive.
C DUEDATE SUBDUR LOANDATE NUM_DAYS:*D 5 0
* Determine the number of months between LOANDATE and DUEDATE.
C DUEDATE SUBDUR LOANDATE NUM_MONTHS:*M 5 0
```

Figure 356. SUBDUR Operations

---

**SUBST (Substring)**

|                  |                            |
|------------------|----------------------------|
| Free-Form Syntax | (not allowed - use %SUBST) |
|------------------|----------------------------|

| Code        | Factor 1          | Factor 2          | Result Field  | Indicators |    |   |
|-------------|-------------------|-------------------|---------------|------------|----|---|
| SUBST (E P) | Length to extract | Base string:start | Target string | -          | ER | - |

The SUBST operation returns a substring from factor 2, starting at the location specified in factor 2 for the length specified in factor 1, and places this substring in the result field. If factor 1 is not specified, the length of the string from the start position is used. For graphic or UCS-2 strings, the start position is measured in double bytes. The base and target strings must both be of the same type, either both character, both graphic, or both UCS-2.

Factor 1 can contain the length value of the string to be extracted from the string specified in factor 2. It must be numeric with no decimal positions and can contain one of: a field name, array element, table name, literal, or named constant.

Factor 2 must contain either the base string, or the base string followed by ':', followed by the start location. The base string portion can contain one of: a field name, array element, named constant, data structure name, table name, or literal. The start position must be numeric with zero decimal positions, and can contain one of the following: a field name, array element, table name, literal or named constant. If it is not specified, SUBST starts in position 1 of the base string. For graphic or UCS-2 strings, the start position is measured in double bytes.

The start location and the length of the substring to be extracted must be positive integers. The start location must not be greater than the length of the base string, and the length must not be greater than the length of the base string from the start location. If either or both of these conditions is not satisfied, the operation will not be performed.

To handle SUBST exceptions (program status code 100), either the operation code extender 'E' or an error indicator ER can be specified, but not both. For more information on error handling, see "Program Exception/Errors" on page 82.

The result field must be character, graphic, or UCS-2 and can contain one of the following: a field name, array element, data structure, or table name. The result is left-justified. The result field's length should be at least as large as the length specified in factor 1. If the substring is longer than the field specified in the result field, the substring will be truncated from the right. If the result field is variable-length, its length does not change.

For more information, see "String Operations" on page 429.

**Note:** You cannot use figurative constants in the factor 1, factor 2, or result fields. Overlapping is allowed for factor 1 and the result field or factor 2 and the result field. If factor 1 is shorter than the length of the result field, a P specified in the operation extender position indicates that the result field should be padded on the right with blanks after the substring occurs.

## SUBST (Substring)

```

*...1....+....2....+....3....+....4....+....5....+....6....+....7...+....
CL0N01Factor1+++++Opcode(E)+Factor2+++++Result+++++Len++D+HiLoEq....
*
* The SUBST operation extracts the substring from factor 2 starting
* at position 3 for a length of 2. The value 'CD' is placed in the
* result field TARGET. Indicator 90 is not set on because no error
* occurred.
C
C Z-ADD 3 T 2 0
C MOVE 'ABCDEF' String 10
C 2 SUBST String:T Target 90
*
* In this SUBST operation, the length is greater than the length
* of the string minus the start position plus 1. As a result,
* indicator 90 is set on and the result field is not changed.
C
C MOVE 'ABCDEF' String 6
C Z-ADD 4 T 1 0
C 5 SUBST String:T Result 90
C
* In this SUBST operation, 3 characters are substringed starting
* at the fifth position of the base string. Because P is not
* specified, only the first 3 characters of TARGET are
* changed. TARGET contains '123XXXXX'.
C
C Z-ADD 3 Length 2 0
C Z-ADD 5 T 2 0
C MOVE 'TEST123' String 8
C MOVE *ALL'X' Target 8
C Length SUBST String:T Target 8

```

Figure 357. SUBST Operation (Part 1 of 2)



```

*
* This example is the same as the previous one except P
* specified, and the result is padded with blanks.
* TARGET equals '123bbbb'.
C
C Z-ADD 3 Length 2 0
C Z-ADD5 T Length 2 0
C MOVE 'TEST123' String 8
C MOVE *ALL'X' Target 8
C Length SUBST(P) String:T Target 8
C
C
*
* In the following example, CITY contains the string
* 'Toronto, Ontario'. The SCAN operation is used to locate the
* separating blank, position 9 in this illustration. SUBST
* without factor 1 places the string starting at position 10 and
* continuing for the length of the string in field TCNTRE.
* TCNTRE contains 'Ontario'.
C ' ' SCAN City C
C ' ' ADD 1 C
C ' ' SUBST City:C TCntre
*
* Before the operations STRING='bbbJohnbbb&
* RESULT is a 10 character field which contains 'ABCDEFGHIJ'.
* The CHECK operation locates the first nonblank character
* and sets on indicator 10 if such a character exists. If *IN10
* is on, the SUBST operation substrings STRING starting from the
* first non-blank to the end of STRING. Padding is used to ensure
* that nothing is left from the previous contents of the result
* field. If STRING contains the value ' HELLO ' then RESULT
* will contain the value 'HELLO ' after the SUBST(P) operation.
* After the operations RESULT='Johnbbbbbb'.
C
C ' ' CHECK STRING ST 10
C 10 SUBST(P) STRING:ST RESULT

```

Figure 357. SUBST Operation (Part 2 of 2)

## TAG (Tag)

---

### TAG (Tag)

|                  |                                                                            |
|------------------|----------------------------------------------------------------------------|
| Free-Form Syntax | (not allowed - use other operation codes, such as LEAVE, ITER, and RETURN) |
|------------------|----------------------------------------------------------------------------|

| Code | Factor 1     | Factor 2 | Result Field | Indicators |  |  |
|------|--------------|----------|--------------|------------|--|--|
| TAG  | <u>Label</u> |          |              |            |  |  |

The declarative TAG operation names the label that identifies the destination of a “GOTO (Go To)” on page 652 or “CABxx (Compare and Branch)” on page 575 operation. It can be specified anywhere within calculations, including within total calculations.

A GOTO within a subroutine in the main procedure can be issued to a TAG within the same subroutine, detail calculations or total calculations. A GOTO within a subroutine in a subprocedure can be issued to a TAG within the same subroutine, or within the body of the subprocedure.

The control level entry (positions 7 and 8) can be blank or can contain an L1 through L9 indicator, the LR indicator, or the L0 entry to group the statement within the appropriate section of the program. Conditioning indicator entries (positions 9 through 11) are not allowed.

Factor 1 must contain the name of the destination of a GOTO or CABxx operation. This name must be a unique symbolic name, which is specified in factor 2 of a GOTO operation or in the result field of a CABxx operation. The name can be used as a common point for multiple GOTO or CABxx operations.

Branching to the TAG from a different part of the RPG IV logic cycle may result in an endless loop. For example, if a detail calculation line specifies a GOTO operation to a total calculation TAG operation, an endless loop may occur.

See Figure 297 on page 653 for examples of the TAG operation.

For more information, see “Branching Operations” on page 403 or “Declarative Operations” on page 414.

## TEST (Test Date/Time/Timestamp)

|                  |                                      |
|------------------|--------------------------------------|
| Free-Form Syntax | TEST{(EDTZ)} {dtz-format} field-name |
|------------------|--------------------------------------|

| Code       | Factor 1<br>(dtz-format) | Factor 2 | Result Field<br>(field-name)       | Indicators |    |   |
|------------|--------------------------|----------|------------------------------------|------------|----|---|
| TEST (E)   |                          |          | Date/Time or<br>Timestamp<br>Field | _          | ER | _ |
| TEST (D E) | Date Format              |          | Character or<br>Numeric field      | _          | ER | _ |
| TEST (E T) | Time Format              |          | Character or<br>Numeric field      | _          | ER | _ |
| TEST (E Z) | Timestamp Format         |          | Character or<br>Numeric field      | _          | ER | _ |

The TEST operation code allows users to test the validity of date, time, or timestamp fields prior to using them.

For information on the formats that can be used see “Date Data Type” on page 195, “Time Data Type” on page 198, and “Timestamp Data Type” on page 199.

- If the *field-name* operand is a field declared as Date, Time, or Timestamp:
  - The *dtz-format* operand cannot be specified
  - Operation code extenders ‘D’, ‘T’, and ‘Z’ are not allowed
- If the *field-name* operand is a field declared as character or numeric, then one of the operation code extenders ‘D’, ‘T’, or ‘Z’ must be specified.

**Note:** If the *field-name* operand is a character field with no separators, the *dtz-format* operand must contain the date, time, or timestamp format followed by a zero.

- If the operation code extender includes ‘D’ (test Date),
  - *dtz-format* is optional and may be any of the valid Date formats (See “Date Data Type” on page 195).
  - If *dtz-format* is not specified, the format specified on the control specification with the DATFMT keyword is assumed. If this keyword is not specified, \*ISO is assumed.
- If the operation code extender includes ‘T’ (test Time),
  - *dtz-format* is optional and may be any of the valid Time formats (See “Time Data Type” on page 198).
  - If *dtz-format* is not specified, the format specified on the control specification with the TIMFMT keyword is assumed. If this keyword is not specified, \*ISO is assumed.

**Note:** The \*USA date format is not allowed with the operation code extender (T). The \*USA date format has an AM/PM restriction that cannot be converted to numeric when a numeric result field is used.

- If the operation code extender includes ‘Z’ (test Timestamp),
  - *dtz-format* is optional and may be \*ISO or \*ISO0 (See “Timestamp Data Type” on page 199).

## TEST (Test Date/Time/Timestamp)

Numeric fields and character fields without separators are tested for valid digit portions of a Date, Time, or Timestamp value. Character fields are tested for both valid digits and separators.

# If the character or numeric field specified as the *field-name* operand is longer than  
# required by the format being tested, extra data is ignored. For character data, only  
# the leftmost data is used; for numeric data, only the rightmost data is used. For  
# example, if the *dtz-format* operand is \*MDY for a test of a numeric date, only the  
# rightmost 6 digits of the *field-name* operand are examined.

For the test operation, either the operation code extender 'E' or an error indicator ER must be specified, but not both. If the content of the *field-name* operand is not valid, program status code 112 is signaled. Then, the error indicator is set on or the %ERROR built-in function is set to return '1' depending on the error handling method specified. For more information on error handling, see "Program Exception/Errors" on page 82.

For more information, see "Date Operations" on page 412 or "Test Operations" on page 437.

```

*...1....+....2....+....3....+....4....+....5....+....6....+....7...+....
DName+++++ETDsFrom+++To/L+++IDc.Keywords+++++
D
D Datefield S D DATFMT(*JIS)
D Num_Date S 6P 0 INZ(910921)
D Char_Time S 8 INZ('13:05 PM')
D Char_Date S 6 INZ('041596')
D Char_Tstmp S 20 INZ('19960723140856834000')
D Char_Date2 S 9A INZ('402/10/66')
D Char_Date3 S 8A INZ('2120/115')
D
CLON01Factor1+++++0pcode(E)+Factor2+++++Result+++++Len++D+HiLoEq....
*
* Indicator 18 will not be set on, since the character field is a
* valid *ISO timestamp field, without separators.
C *ISO0 TEST (Z) Char_Tstmp 18
* Indicator 19 will not be set on, since the character field is a
* valid *MDY date, without separators.
C *MDY0 TEST (D) Char_Date 19
*
* %ERROR will return '1', since Num_Date is not *DMY.
*
C *DMY TEST (DE) Num_Date
*
* No Factor 1 since result is a D data type field
* %ERROR will return '0', since the field
* contains a valid date
C
C TEST (E) Datefield
C
* In the following test, %ERROR will return '1' since the
* Timefield does not contain a valid USA time.
C
C *USA TEST (ET) Char_Time
C
* In the following test, indicator 20 will be set on since the
* character field is a valid *CMDY, but there are separators.
C
C *CMDY0 TEST (D) char_date2 20
C
* In the following test, %ERROR will return '0' since
* the character field is a valid *LONGJUL date.
C
C *LONGJUL TEST (DE) char_date3

```

Figure 358. TEST (E D/T/Z) Example

## TESTB (Test Bit)

|                  |                                                                                |
|------------------|--------------------------------------------------------------------------------|
| Free-Form Syntax | (not allowed - use the %BITAND built-in function. See Figure 174 on page 463.) |
|------------------|--------------------------------------------------------------------------------|

| Code  | Factor 1 | Factor 2           | Result Field           | Indicators |    |    |
|-------|----------|--------------------|------------------------|------------|----|----|
| TESTB |          | <u>Bit numbers</u> | <u>Character field</u> | OF         | ON | EQ |

The TESTB operation compares the bits identified in factor 2 with the corresponding bits in the field named as the result field. The result field must be a one-position character field. Resulting indicators in positions 71 through 76 reflect the status of the result field bits. Factor 2 is always a source of bits for the result field.

## TESTB (Test Bit)

Factor 2 can contain:

- *Bit numbers 0-7:* From 1 to 8 bits can be tested per operation. The bits to be tested are identified by the numbers 0 through 7. (0 is the leftmost bit.) The bit numbers must be enclosed in apostrophes. For example, to test bits 0, 2, and 5, enter '025' in factor 2.
- *Field name:* You can specify the name of a one-position character field, table name, or array element in factor 2. The bits that are on in the field, table name, or array element are compared with the corresponding bits in the result field; bits that are off are not considered. The field specified in the result field can be an array element if each element of the array is a one-position character field.
- *Hexadecimal literal or named constant:* You can specify a 1-byte hexadecimal literal or hexadecimal named constant. Bits that are on in factor 2 are compared with the corresponding bits in the result field; bits that are off are not considered.

Figure 359 on page 785 illustrates uses of the TESTB operation.

Indicators assigned in positions 71 through 76 reflect the status of the result field bits. At least one indicator must be assigned, and as many as three can be assigned for one operation. For TESTB operations, the resulting indicators are set on as follows:

- *Positions 71 and 72:* An indicator in these positions is set on if the bit numbers specified in factor 2 or each bit that is on in the factor 2 field is off in the result field. That is, all of the specified bits are equal to off.
- *Positions 73 and 74:* An indicator in these positions is set on if the bit numbers specified in factor 2 or the bits that are on in the factor 2 field are of mixed status (some on, some off) in the result field. That is, at least one the specified bits is on.

**Note:** If only one bit is to be tested, these positions must be blank. If a field name is specified in factor 2 and it has only one bit on, an indicator in positions 73 and 74 is not set on.

- *Positions 75 and 76:* An indicator in these positions is set on if the bit numbers specified in the factor 2 or each bit that is on in factor 2 field is on in the result field. That is, all of the specified bits are equal to on.

**Note:** If the field in factor 2 has no bits on, then no indicators are set on.

For more information, see "Bit Operations" on page 403 or "Test Operations" on page 437.

```

*...1....+....2....+....3....+....4....+....5....+....6....+....7...+....
CL0N01Factor1+++++Opcode(E)+Factor2+++++Result+++++Len++D+HiLoEq....
*
* The field bit settings are FieldF = 00000001, and FieldG = 11110001.
*
* Indicator 16 is set on because bit 3 is off (0) in FieldF.
* Indicator 17 is set off.
C TESTB '3' FieldF 16 17
*
* Indicator 16 is set on because both bits 3 and 6 are off (0) in
* FieldF. Indicators 17 and 18 are set off.
C TESTB '36' FieldF 161718
*
* Indicator 17 is set on because bit 3 is off (0) and bit 7 is on
* (1) in FLDF. Indicators 16 and 18 are set off.
C TESTB '37' FieldF 161718
*
* Indicator 17 is set on because bit 7 is on (1) in FLDF.
* Indicator 16 is set off.
C TESTB '7' FieldF 16 17
*
* Indicator 17 is set on because bits 0,1,2, and 3 are off (0) and
* bit 7 is on (1). Indicators 16 and 18 are set off.
C TESTB FieldG FieldF 161718
*
* The hexadecimal literal X'88' (10001000) is used in factor 2.
* Indicator 17 is set on because at least one bit (bit 0) is on
* Indicators 16 and 18 are set off.
C TESTB X'88' FieldG 161718

```

Figure 359. TESTB Operation

## TESTN (Test Numeric)

---

### TESTN (Test Numeric)

|                  |                                                                                                                                                                                         |
|------------------|-----------------------------------------------------------------------------------------------------------------------------------------------------------------------------------------|
| Free-Form Syntax | (not allowed - rather than testing the variable before using it, code the usage of the variable in a MONITOR group and handle any errors with ON-ERROR. See Error-Handling Operations.) |
|------------------|-----------------------------------------------------------------------------------------------------------------------------------------------------------------------------------------|

| Code  | Factor 1 | Factor 2 | Result Field           | Indicators |    |    |
|-------|----------|----------|------------------------|------------|----|----|
| TESTN |          |          | <u>Character field</u> | NU         | BN | BL |

The TESTN operation tests a character result field for the presence of zoned decimal digits and blanks. The result field must be a character field. To be considered numeric, each character in the field, except the low-order character, must contain a hexadecimal F zone and a digit (0 through 9). The low-order character is numeric if it contains a hexadecimal C, hexadecimal D, or hexadecimal F zone, and a digit (0 through 9). Note that the alphabetic characters J through R, should they appear in the low-order position of a field, are treated as negative numbers by TESTN. As a result of the test, resulting indicators are set on as follows:

- *Positions 71 and 72:* The result field contains numeric characters; the low-order character may also be a letter from A to R, since these characters have a zone of C, D, or E, and a digit of 0 to 9.
- *Positions 73 and 74:* The result field contains both numeric characters and at least one leading blank. For example, the values b123 or bb123 set this indicator on. However, the value b1b23 is not a valid numeric field because of the embedded blanks, so this value does not set this indicator on.

**Note:** An indicator cannot be specified in positions 73 and 74 when a field of length one is tested because the character field must contain at least one numeric character and one leading blank.

- *Positions 75 and 76:* The result field contains all blanks.

The same indicator can be used for more than one condition. If any of the conditions exist, the indicator is set on.

The TESTN operation may be used to validate fields before they are used in operations where their use may cause undesirable results or exceptions (e.g. arithmetic operations).

For more information, see “Test Operations” on page 437.



```

*...1....+....2....+....3....+....4....+....5....+....6....+....7....+....
CL0N01Factor1+++++Opcode(E)+Factor2+++++Result+++++Len++D+HiLoEq....
*
* The field values are FieldA = 123, FieldB = 1X4, FieldC = 004,
* FieldD = bbb, FieldE = b1b3, and FieldF = b12.
*
* Indicator 21 is set on because FieldA contains all numeric
* characters.
C TESTN FieldA 21
* Indicator 22 is set on because FieldA contains all numeric
* characters. Indicators 23 and 24 remain off.
C TESTN FieldA 222324
* All indicators are off because FieldB does not contain valid
* numeric data.
C TESTN FieldB 252627
* Indicator 28 is set on because FieldC contains valid numeric data.
* Indicators 29 and 30 remain off.
C TESTN FieldC 282930
* Indicator 33 is set on because FieldD contains all blanks.
* Indicators 31 and 32 remain off.
C TESTN FieldD 313233
* Indicators 34, 35, and 36 remain off. Indicator 35 remains off
* off because FieldE contains a blank after a digit.
C TESTN FieldE 343536
* Indicator 38 is set on because FieldF contains leading blanks and
* valid numeric characters. Indicators 37 and 39 remain off.
C TESTN FieldF 373839

```

Figure 360. TESTN Operation

## TESTZ (Test Zone)

---

### TESTZ (Test Zone)

|                  |                                                                                                        |
|------------------|--------------------------------------------------------------------------------------------------------|
| Free-Form Syntax | (not allowed - use the %BITAND built-in function with X'F0' to isolate the zone part of the character) |
|------------------|--------------------------------------------------------------------------------------------------------|

| Code  | Factor 1 | Factor 2 | Result Field           | Indicators |    |    |
|-------|----------|----------|------------------------|------------|----|----|
| TESTZ |          |          | <u>Character field</u> | AI         | JR | XX |

The TESTZ operation tests the zone of the leftmost character in the result field. The result field must be a character field. Resulting indicators are set on according to the results of the test. You must specify at least one resulting indicator positions 71 through 76. The characters &, A through I, and any character with the same zone as the character A set on the indicator in positions 71 and 72. The characters - (minus), J through R, and any character with the same zone as the character J set on the indicator in positions 73 and 74. Characters with any other zone set on the indicator in positions 75 and 76.

For more information, see "Test Operations" on page 437.

## TIME (Retrieve Time and Date)

|                  |                                                                         |
|------------------|-------------------------------------------------------------------------|
| Free-Form Syntax | (not allowed – use the %DATE, %TIME, and %TIMESTAMP built-in functions) |
|------------------|-------------------------------------------------------------------------|

| Code | Factor 1 | Factor 2 | Result Field        | Indicators |  |  |
|------|----------|----------|---------------------|------------|--|--|
| TIME |          |          | <u>Target field</u> |            |  |  |

The TIME operation accesses the system time of day and/or the system date at any time during program processing. The system time is based on the 24-hour clock.

The Result field can specify one of the following into which the time of day or the time of day and the system date are written:

| Result Field     | Value Returned | Format           |
|------------------|----------------|------------------|
| 6-digit Numeric  | Time           | hhmmss           |
| 12-digit Numeric | Time and Date  | hhmmssDDDDDD     |
| 14-digit Numeric | Time and Date  | hhmmssDDDDDDDD   |
| Time             | Time           | Format of Result |
| Date             | Date           | Format of Result |
| Timestamp        | Timestamp      | *ISO             |

If the Result field is a numeric field, to access the time of day only, specify the result field as a 6-digit numeric field. To access both the time of day and the system date, specify the result field as a 12- (2-digit year portion) or 14-digit (4-digit year portion) numeric field. The time of day is always placed in the first six positions of the result field in the following format:

- hhmmss (hh=hours, mm=minutes, and ss=seconds)

If the Result field is a numeric field, then if the system date is included, it is placed in positions 7 through 12 or 7 through 14 of the result field. The date format depends on the date format job attribute DATEFMT and can be mmddy, ddmmy, yymmdd, or Julian. The Julian format for 2-digit year portion contains the year in positions 7 and 8, the day (1 through 366, right-adjusted, with zeros in the unused high-order positions) in positions 9 through 11, and 0 in position 12. For 4-digit year portion, it contains the year in positions 7 through 10, the day (1 through 366, right-adjusted, with zeros in the unused high-order positions) in positions 11 through 13, and 0 in position 14.

If the Result field is a Timestamp field, the last 3 digits in the microseconds part is always 000.

**Note:** The special fields UDATE and \*DATE contain the job date. These values are not updated when midnight is passed, or when the job date is changed during the running of the program.

For more information, see “Information Operations” on page 419.

## TIME (Retrieve Time and Date)

|                                                                            |          |        |          |              |
|----------------------------------------------------------------------------|----------|--------|----------|--------------|
| D                                                                          | Timeres  | S      | T        | TIMFMT(*EUR) |
| D                                                                          | Dateres  | S      | D        | DATFMT(*USA) |
| D                                                                          | Tstmpres | S      | Z        |              |
| *...1....+....2....+....3....+....4....+....5....+....6....+....7....+.... |          |        |          |              |
| CLON01Factor1+++++OpCode(E)+Factor2+++++Result+++++Len++D+HiLoEq....       |          |        |          |              |
| *                                                                          |          |        |          |              |
| * When the TIME operation is processed (with a 6-digit numeric             |          |        |          |              |
| * field), the current time (in the form hmmmss) is placed in the           |          |        |          |              |
| * result field CLOCK. The TIME operation is based on the 24-hour           |          |        |          |              |
| * clock, for example, 132710. (In the 12-hour time system, 132710          |          |        |          |              |
| * is 1:27:10 p.m.)                                                         |          |        |          |              |
| C                                                                          | TIME     |        | Clock    | 6 0          |
| * When the TIME operation is processed (with a 12-digit numeric            |          |        |          |              |
| * field), the current time and day is placed in the result field           |          |        |          |              |
| * TIMSTP. The first 6 digits are the time, and the last 6 digits           |          |        |          |              |
| * are the date; for example, 093315121579 is 9:33:15 a.m. on               |          |        |          |              |
| * December 15, 1979.                                                       |          |        |          |              |
| C                                                                          | TIME     |        | TimStp   | 12 0         |
| C                                                                          | MOVE     | TimStp | Time     | 6 0          |
| C                                                                          | MOVE     | TimStp | SysDat   | 6 0          |
| * This example duplicates the 12-digit example above but uses a            |          |        |          |              |
| * 14-digit field. The first 6 digits are the time, and the last            |          |        |          |              |
| * 8 digits are the date; for example, 13120001101992                       |          |        |          |              |
| * is 1:12:00 p.m. on January 10, 1992.                                     |          |        |          |              |
| C                                                                          | TIME     |        | TimStp   | 14 0         |
| C                                                                          | MOVE     | TimStp | Time     | 6 0          |
| C                                                                          | MOVE     | TimStp | SysDat   | 8 0          |
| * When the TIME operation is processed with a date field,                  |          |        |          |              |
| * the current date is placed in the result field DATERES.                  |          |        |          |              |
| * It will have the format of the date field. In this case                  |          |        |          |              |
| * it would be in *USA format ie: D'mm/dd/yyyy'.                            |          |        |          |              |
| C                                                                          | TIME     |        | Dateres  |              |
| * When the TIME operation is processed with a time field,                  |          |        |          |              |
| * the current time is placed in the result field TIMERES.                  |          |        |          |              |
| * It will have the format of the time field. In this case                  |          |        |          |              |
| * it would be in *EUR format ie: T'hh.mm.ss'.                              |          |        |          |              |
| C                                                                          | TIME     |        | Timeres  |              |
| * When the TIME operation is processed with a timestamp field,             |          |        |          |              |
| * the current timestamp is placed in the result field TSTMPRES.            |          |        |          |              |
| * It will be in *ISO format.                                               |          |        |          |              |
| * ie: Z'yyyy-mm-dd-hh.mm.ss.mmmmm'                                         |          |        |          |              |
| C                                                                          | TIME     |        | Tstmpres |              |

Figure 361. TIME Operation

## UNLOCK (Unlock a Data Area or Release a Record)

|                  |                         |
|------------------|-------------------------|
| Free-Form Syntax | UNLOCK{(E)} <i>name</i> |
|------------------|-------------------------|

| Code       | Factor 1 | Factor 2                        | Result Field | Indicators |    |   |
|------------|----------|---------------------------------|--------------|------------|----|---|
| UNLOCK (E) |          | <u>name</u> (file or data area) |              | -          | ER | - |

The UNLOCK operation is used to unlock data areas and release record locks.

To handle UNLOCK exceptions (program status codes 401-421, 431, and 432), either the operation code extender 'E' or an error indicator ER can be specified, but not both. For more information on error handling, see "Program Exception/Errors" on page 82.

Positions 71,72,75 and 76 must be blank.

For further rules for the UNLOCK operation, see "Data-Area Operations" on page 411.

### Unlocking data areas

The *name* operand must be the name of the data area to be unlocked, or the reserved word \*DTAARA.

When \*DTAARA is specified, all data areas in the program that are locked are unlocked.

The data area must already be specified in the result field of a \*DTAARA DEFINE statement or with the DTAARA keyword on the definition specification. *name* must not refer to the local data area or the Program Initialization Parameters (PIP) data area. If the UNLOCK operation is specified to an already unlocked data area, an error does not occur.

For more information, see "File Operations" on page 416.

```

*...1....+...2....+...3....+...4....+...5....+...6....+...7...+...
CL0N01Factor1++++++Opcode(E)+Factor2++++++Result++++++Len++D+HiLoEq....
*
* TOTAMT, TOTGRS, and TOTNET are defined as data areas in the
* system. The IN operation retrieves all the data areas defined in
* the program. The program processes calculations, and
* then unlocks the data areas. The data areas can then be used
* by other programs.
*
C *LOCK IN *DTAARA
C :
C :
C UNLOCK *DTAARA
C *DTAARA DEFINE TOTAMT 8 2
C *DTAARA DEFINE TOTGRS 10 2
C *DTAARA DEFINE TOTNET 10 2

```

Figure 362. Data area unlock operation

## UNLOCK (Unlock a Data Area or Release a Record)

### Releasing record locks

The UNLOCK operation also allows the most recently locked record to be unlocked for an update disk file.

*name* must be the name of the UPDATE disk file.

```
*...1....+...2....+...3....+...4....+...5....+...6....+...7...+...
FFilename++IPEASFRlen+LKlen+AIDevice+.Keywords+++++
*
FUPDATA UF E DISK
*
CL0N01Factor1+++++0pcode(E)+Factor2+++++Result+++++Len++D+HiLoEq....
*
* Assume that the file UPDATA contains record format vendor.
* A record is read from UPDATA. Since the file is an update
* file, the record is locked. *IN50 is set somewhere else in
* the program to control whether an UPDATE should take place.
* otherwise the record is unlocked using the UNLOCK operation.
* Note that factor 2 of the UNLOCK operation is the file name,
* UPDATA, not the record format, VENDOR
*
C READ VENDOR 12
C :
C *IN50 IFEQ *ON
C UPDATE VENDOR
C ELSE
C UNLOCK UPDATA 99
C ENDIF
```

Figure 363. Record unlock operation

## UPDATE (Modify Existing Record)

|                  |                                                                                              |
|------------------|----------------------------------------------------------------------------------------------|
| Free-Form Syntax | UPDATE{(E)} <i>name</i> { <i>data-structure</i>   %FIELDS( <i>name</i> {: <i>name</i> ...})} |
|------------------|----------------------------------------------------------------------------------------------|

| Code       | Factor 1 | Factor 2                            | Result Field   | Indicators |    |   |
|------------|----------|-------------------------------------|----------------|------------|----|---|
| UPDATE (E) |          | <u>name</u> (file or record format) | data-structure | _          | ER | _ |

The UPDATE operation modifies the last locked record retrieved for processing from an update disk file or subfile. No other operation should be performed on the file between the input operation that retrieved the record and the UPDATE operation.

The *name* operand must be the name of a file or record format to be updated. A record format name is required with an externally described file. The record format name must be the name of the last record read from the file; otherwise, an error occurs. A file name as the *name* operand is required with a program described file.

- # If the data-structure operand is specified, the record is updated directly from the data structure. The data structure must conform to the rules below:
- # 1. If the *data-structure* operand is specified, the record is updated directly from the data structure.
  - # 2. If *name* refers to a program-described file (identified by an F in Position 22 of the file description specification), the data structure can be any data structure of the same length as the file's declared record length.
  - # 3. If *name* refers to an externally-described file or a record format from an externally described file, the data structure must be a data structure defined with EXTNAME(...:INPUT) or LIKEREK(...:INPUT).
  - # 4. See "File Operations" on page 416 for information on how to define the data structure and how data is transferred between the data structure and the file.

A list of the fields to update can be specified using %FIELDS. The parameter to %FIELDS is a list of the field names to update. See the example at the end of "%FIELDS (Fields to update)" on page 494 for an illustration of updating fields.

To handle UPDATE exceptions (file status codes greater than 1000), either the operation code extender 'E' or an error indicator ER can be specified, but not both. For more information on error handling, see "File Exception/Errors" on page 65.

Remember the following when using the UPDATE operation:

- When *name* is a record format name, the current values in the program for the fields in the record definition are used to modify the record.
- If some but not all fields in a record are to be updated, either use the output specifications without an UPDATE operation or use %FIELDS to identify which fields to update.
- Before UPDATE is issued to a file or record, a valid input operation with lock (READ, READC, READE, READP, READPE, CHAIN, or primary/secondary file) must be issued to the same file or record. If the read operation returns with an error condition or if it was read without locking, the record is not locked and UPDATE cannot be issued. The record must be read again with the default of a blank operation extender to specify a lock request.

## UPDATE (Modify Existing Record)

- Consecutive UPDATE operations to the same file or record are not valid. Intervening successful read operations must be issued to position to and lock the record to be updated.
- Beware of using the UPDATE operation on primary or secondary files during total calculations. At this stage in the RPG IV cycle, the fields from the current record (the record that is about to be processed) have not yet been moved to the processing area. Therefore, the UPDATE operation updates the current record with the fields from the preceding record. Also, when the fields from the current record are moved to the processing area, they are the fields that were updated from the preceding record.
- For multiple device files, specify a subfile record format as the *name* operand. The operation is processed for the program device identified in the fieldname specified using the DEVID keyword in the file specification. If the program device is not specified, the device used in the last successful input operation is used. This device must be the same one you specified for the input operation that must precede the UPDATE operation. You must not process input or output operations to other devices in between the input and UPDATE operations. If you do, your UPDATE operation will fail.
- For a display file which has multiple subfile record formats, you must not process read-for-update operations to one subfile record in between the input and UPDATE operations to another subfile in the same display file. If you do, the UPDATE operation will fail.
- An UPDATE operation is valid to a subfile record format as long as at least one successful input operation (READ, READC, READE, READP, READPE, CHAIN, or primary/secondary file) has occurred to that format name without an intervening input operation to a different format name. The record updated will be the record retrieved on the last successful input operation. This means that if you read a record successfully, then read unsuccessfully to the same format, an update will succeed, but will update the first record. This is different from the behavior of DISK files.

To avoid updating the wrong record, check the resulting indicator or record-identifying indicator to ensure that a successful input operation has occurred before doing the update operation.

See “Database Null Value Support” on page 209 for information on updating records with null-capable fields containing null values.

For more information, see “File Operations” on page 416.



# WHEN (When True Then Select)

|                  |                                        |
|------------------|----------------------------------------|
| Free-Form Syntax | WHEN{(MR)} <i>indicator-expression</i> |
|------------------|----------------------------------------|

| Code       | Factor 1 | Extended Factor 2    |
|------------|----------|----------------------|
| WHEN (M/R) |          | indicator-expression |

The WHEN operation code is similar to the WHENxx operation code in that it controls the processing of lines in a SELECT operation. It differs in that the condition is specified by a logical expression in the *indicator-expression* operand. The operations controlled by the WHEN operation are performed when the expression in the *indicator-expression* operand is true. See Chapter 21, "Expressions," on page 439 for details on expressions. For information on how operation extenders M and R are used, see "Precision Rules for Numeric Operations" on page 448.

For more information, see "Compare Operations" on page 408 or "Structured Programming Operations" on page 431.

```

CL0N01Factor1++++++Opcode(E)+Extended-factor2+++++++...
*
C SELECT
C WHEN *INKA
C :
C :
C :
C WHEN NOT(*IN01) AND (DAY = 'FRIDAY')
C :
C :
C :
C WHEN %SUBST(A:(X+4):3) = 'ABC'
C :
C :
C :
C OTHER
C :
C :
C :
C ENDSL

```

Figure 364. WHEN Operation

## WHENxx (When True Then Select)

---

### WHENxx (When True Then Select)

|                  |                                            |
|------------------|--------------------------------------------|
| Free-Form Syntax | (not allowed - use the WHENoperation code) |
|------------------|--------------------------------------------|

| Code   | Factor 1         | Factor 2         | Result Field | Indicators |  |  |
|--------|------------------|------------------|--------------|------------|--|--|
| WHENxx | <u>Comparand</u> | <u>Comparand</u> |              |            |  |  |

The WHENxx operations of a select group determine where control passes after the “SELECT (Begin a Select Group)” on page 757 operation is processed.

The WHENxx conditional operation is true if factor 1 and factor 2 have the relationship specified by xx. If the condition is true, the operations following the WHENxx are processed until the next WHENxx, OTHER, ENDSL, or END operation.

When performing the WHENxx operation remember:

- After the operation group is processed, control passes to the statement following the ENDSL operation.
- You can code complex WHENxx conditions using ANDxx and ORxx. Calculations are processed when the condition specified by the combined WHENxx, ANDxx, and ORxx operations is true.
- The WHENxx group can be empty.
- Within total calculations, the control level entry (positions 7 and 8) can be blank or can contain an L1 through L9 indicator, an LR indicator, or an L0 entry to group the statement within the appropriate section of the program. The control level entry is for documentation purposes only. Conditioning indicator entries (positions 9 through 11) are not allowed.

Refer to “Compare Operations” on page 408 for valid values for xx.

For more information, see “Structured Programming Operations” on page 431.

## WHENxx (When True Then Select)

```

*...1....+....2....+....3....+....4....+....5....+....6....+....7...+....
CL0N01Factor1+++++Opcode(E)+Factor2+++++Result+++++Len++D+HiLoEq....
*
* The following example shows nested SELECT groups. The employee
* type can be one of 'C' for casual, 'T' for retired, 'R' for
* regular, and 'S' for student. Depending on the employee type
* (EmpTyp), the number of days off per year (Days) will vary.
*
C SELECT
C EmpTyp WHENEQ 'C'
C EmpTyp OREQ 'T'
C Z-ADD 0 Days
C EmpTyp WHENEQ 'R'
*
* When the employee type is 'R', the days off depend also on the
* number of years of employment. The base number of days is 14.
* For less than 2 years, no extra days are added. Between 2 and
* 5 years, 5 extra days are added. Between 6 and 10 years, 10
* extra days are added, and over 10 years, 20 extra days are added.
*
C Z-ADD 14 Days
* Nested select group.
C SELECT
C Years WHENLT 2
C Years WHENLE 5
C ADD 5 Days
C Years WHENLE 10
C ADD 10 Days
C OTHER
C ADD 20 Days
C ENDSL
* End of nested select group.
C EmpTyp WHENEQ 'S'
C Z-ADD 5 Days
C ENDSL

```

Figure 365. WHENxx Operation (Part 1 of 2)

## WHENxx (When True Then Select)

```

*-----
* Example of a SELECT group with complex WHENxx expressions. Assume
* that a record and an action code have been entered by a user.
* Select one of the following:
* - When F3 has been pressed, do subroutine QUIT.
* - When action code(Acode) A (add) was entered and the record
* does not exist (*IN50=1), write the record.
* - When action code A is entered, the record exists, and the
* active record code for the record is D (deleted); update
* the record with active rec code=A. When action code D is
* entered, the record exists, and the action code in the
* record (AcRec) code is A; mark the record as deleted.
* - When action code is C (change), the record exists, and the
* action code in the record (AcRec) code is A; update the record.
* - Otherwise, do error processing.
*-----
*...1....+...2....+...3....+...4....+...5....+...6....+...7....+...
CLON01Factor1+++++Opcode(E)+Factor2+++++Result+++++Len++D+HiLoEq....
C RSCDE CHAIN FILE 50
C SELECT
C *INKC WHENEQ *ON
C EXSR QUIT
C Acode WHENEQ 'A'
C *IN50 ANDEQ *ON
C WRITE REC
C Acode WHENEQ 'A'
C *IN50 ANDEQ *OFF
C AcRec ANDEQ 'D'
C Acode OREQ 'D'
C *IN50 ANDEQ *OFF
C AcRec ANDEQ 'A'
C MOVE Acode AcRec
C UPDATE REC
C Acode WHENEQ 'C'
C *IN50 ANDEQ *OFF
C AcRec ANDEQ 'A'
C UPDATE REC
C OTHER
C EXSR ERROR
C ENDSL

```

Figure 365. WHENxx Operation (Part 2 of 2)

---

**WRITE (Create New Records)**

|                  |                                                  |
|------------------|--------------------------------------------------|
| Free-Form Syntax | WRITE{(E)} <i>name</i> { <i>data-structure</i> } |
|------------------|--------------------------------------------------|

| Code      | Factor 1 | Factor 2                            | Result Field   | Indicators |    |     |
|-----------|----------|-------------------------------------|----------------|------------|----|-----|
| WRITE (E) |          | <u>name</u> (file or record format) | data-structure | _          | ER | EOF |

The WRITE operation writes a new record to a file.

The name operand must be the name of a file or record format. A record format name is allowed only with an externally described file. A file name is required with a program described file.

If the data-structure operand is specified, the record is written directly from the data structure to the file. If name refers to a program described file (identified by an F in position 22 of the file description specification), the data structure is required and can be any data structure of the same length as the file's declared record length. If *name* refers to a record format from an externally described file, the data structure must be a data structure defined with EXTNAME(...:OUTPUT) or LIKEREK(...:OUTPUT). See "File Operations" on page 416 for information on how to define the data structure and how data is transferred between the file and the data structure.

#  
#  
#

To handle WRITE exceptions (file status codes greater than 1000), either the operation code extender 'E' or an error indicator ER can be specified, but not both. An error occurs if overflow is reached to an externally described print file and no overflow indicator has been specified on the File description specification. For more information on error handling, see "File Exception/Errors" on page 65.

You can specify an indicator in positions 75-76 to signal whether an end of file occurred (subfile is filled) on the WRITE operation. The indicator is set on (an EOF condition) or off every time the WRITE operation is performed. This information can also be obtained from the %EOF built-in function, which returns '1' if an EOF condition occurs and '0' otherwise.

When using the WRITE operation remember:

- When *name* is a record format name, the current values in the program for all the fields in the record definition are used to construct the record.
- When records that use relative record numbers are written to a file, you must update the field name specified on the RECNO File specification keyword (relative record number), so it contains the relative record number of the record to be written.
- When you use the WRITE operation to add records to a DISK file, you must specify an A in position 20 of the file description specifications. (See "Position 20 (File Addition)" on page 269.)
- Device dependent functions are limited. For example, if a "WRITE" is issued to a "PRINTER" device, the space after will be set to 1 if the keyword PRTCTL is not specified on the file specification (normally spacing or skipping information are specified in columns 41 through 51 of the output specifications). If the file is externally described, these functions are part of the external description.
- For a multiple device file, data is written to the program device named in the field name specified with the DEVID keyword on the file description

## WRITE (Create New Records)

specifications. (See “DEVID(fieldname)” on page 278.) If the DEVID keyword is not specified, data is written to the program device for which the last successful input operation was processed.

See “Database Null Value Support” on page 209 for information on adding records with null-capable fields containing null values.

For more information, see “File Operations” on page 416.

```
*...1....+....2....+....3....+....4....+....5....+....6....+....7...+....
CL0N01Factor1+++++Opcode(E)+Factor2+++++Result+++++Len++D+HiLoEq....
*
* The WRITE operation writes the fields in the data structure
* DS1 to the file, FILE1.
*
C WRITE FILE1 DS1
```

Figure 366. WRITE Operation

---

## XFOOT (Summing the Elements of an Array)

|                  |                                                  |
|------------------|--------------------------------------------------|
| Free-Form Syntax | (not allowed - use the %XFOOT built-in function) |
|------------------|--------------------------------------------------|

| Code      | Factor 1 | Factor 2          | Result Field | Indicators |   |   |
|-----------|----------|-------------------|--------------|------------|---|---|
| XFOOT (H) |          | <u>Array name</u> | <u>Sum</u>   | +          | - | Z |

XFOOT adds the elements of an array together and places the sum into the field specified as the result field. Factor 2 contains the name of the array.

If half-adjust is specified, the rounding occurs after all elements are summed and before the results are moved into the result field. If the result field is an element of the array specified in factor 2, the value of the element before the XFOOT operation is used to calculate the total of the array.

If the array is float, XFOOT will be performed as follows: When the array is in descending sequence, the elements will be added together in reverse order. Otherwise, the elements will be added together starting with the first elements of the array.

For further rules for the XFOOT operation, see “Arithmetic Operations” on page 398 or “Array Operations” on page 402.

See Figure 152 on page 401 for an example of the XFOOT operation.

## XLATE (Translate)

---

### XLATE (Translate)

|                  |                                                  |
|------------------|--------------------------------------------------|
| Free-Form Syntax | (not allowed - use the %XLATE built-in function) |
|------------------|--------------------------------------------------|

| Code        | Factor 1       | Factor 2                   | Result Field         | Indicators |    |   |
|-------------|----------------|----------------------------|----------------------|------------|----|---|
| XLATE (E P) | <u>From:To</u> | <u>Source-String:start</u> | <u>Target String</u> | -          | ER | - |

Characters in the source string (factor 2) are translated according to the From and To strings (both in factor 1) and put into a receiver field (result field). Source characters with a match in the From string are translated to corresponding characters in the To string. The From, To, Source, and Target strings must be of the same type, either all character, all graphic, or all UCS-2. As well, their CCSIDs must be the same, unless one of the CCSIDs is 65535, or in the case of graphic fields, CCSID(\*GRAPH : \*IGNORE) was specified on the Control Specification.

XLATE starts translating the source at the location specified in factor 2 and continues character by character, from left to right. If a character of the source string exists in the From string, the corresponding character in the To string is placed in the result field. Any characters in the source field before the starting position are placed unchanged in the result field.

Factor 1 must contain the From string, followed by a colon, followed by the To string. The From and To strings can contain one of the following: a field name, array element, named constant, data structure name, literal, or table name.

Factor 2 must contain either the source string or the source string followed by a colon and the start location. The source string portion of factor 2 can contain one of the following: a field name, array element, named constant, data structure name, data structure subfield, literal, or table name. If the operation uses graphic or UCS-2 data, the start position refers to double-byte characters. The start location portion of factor 2 must be numeric with no decimal positions and can be a named constant, array element, field name, literal, or table name. If no start location is specified, a value of 1 is used.

The result field can be a field, array element, data structure, or table. The length of the result field should be as large as the source string specified in factor 2. If the result field is larger than the source string, the result will be left adjusted. If the result field is shorter than the source string, the result field will contain the leftmost part of the translated source. If the result field is variable-length, its length does not change.

If a character in the From string is duplicated, the first occurrence (leftmost) is used.

**Note:** Figurative constants cannot be used in factor 1, factor 2, or result fields. No overlapping in a data structure is allowed for factor 1 and the result field, or factor 2 and the result field.

Any valid indicator can be specified in columns 7 to 11.

If factor 2 is shorter than the result field, a P specified in the operation extender position indicates that the result field should be padded on the right with blanks



after the translation. If the result field is graphic and P is specified, graphic blanks will be used. If the result field is UCS-2 and P is specified, UCS-2 blanks will be used.

To handle XLATE exceptions (program status code 100), either the operation code extender 'E' or an error indicator ER can be specified, but not both. For more information on error handling, see "Program Exception/Errors" on page 82.

Columns 75-76 must be blank.

For more information, see "String Operations" on page 429.

```
*...1....+...2....+...3....+...4....+...5....+...6....+...7...+...
CL0N01Factor1+++++Opcode(E)+Factor2+++++Result+++++Len++D+HiLoEq...
*
* The following translates the blank in NUMBER to '-'. The result
* in RESULT will be '999-9999'.
*
C MOVE '999 9999' Number 8
C ' :'-' XLATE Number Result 8
```

Figure 367. XLATE Operation

```
*...1....+...2....+...3....+...4....+...5....+...6....+...7...+...
DName+++++ETDsFrom+++To/L+++IDc.Keywords+++++
D Up C 'ABCDEFGHJKLMNOPQRS-
D 'TUVWXYZ'
D Lo C 'abcdefghijklmnopqrs-
'tuvwxyz'
CL0N01Factor1+++++Opcode(E)+Factor2+++++Result+++++Len++D+HiLoEq..
*
* In the following example, all values in STRING are translated to
* uppercase. As a result, RESULT='RPG DEPT'.
*
C MOVE 'rpg dept' String 8
C Lo:Up XLATE String Result
*
* In the following example only part of the string is translated
* to lowercase. As a result, RESULT='RPG Dept'.
*
C Up:Lo XLATE String:6 Result
```

Figure 368. XLATE Operation With Named Constants

## XML-INTO (Parse an XML Document into a Variable)

|                  |                                                                            |
|------------------|----------------------------------------------------------------------------|
| Free-Form Syntax | XML-INTO{(EH)} receiver %XML(xmlDoc {: options });                         |
|                  | XML-INTO{(EH)} %HANDLER(handlerProc : commArea) %XML(xmlDoc {: options }); |

| Code     | Factor 1 | Extended Factor 2                                          |
|----------|----------|------------------------------------------------------------|
| XML-INTO |          | receiver %XML(xmlDoc {: options })                         |
| XML-INTO |          | %HANDLER(handlerProc : commArea) %XML(xmlDoc {: options }) |

**Tip:** If you are not familiar with the basic concepts of XML and of processing XML documents, you may find it helpful to read the "Processing XML Documents" section in *WebSphere Development Studio: ILE RPG Programmer's Guide* before reading further in this section.

XML-INTO can operate in two different ways:

- Reading XML data directly into an RPG variable
- Reading XML data gradually into an array parameter that it passes to the procedure specified by %HANDLER(handlerProc).

The first operand specifies the target of the parsed data. It can contain a variable name or the %HANDLER built-in function.

The second operand must be the %XML built-in function, identifying the XML document to be parsed and the options controlling the way the parsing is done. See "%XML (xmlDocument {:options})" on page 559 for more information on %XML.

If the first operand is a variable name:

- Parsing will be done directly into the variable.
- The name of the variable will be used to establish the name of the XML element to parse; this can be overridden using the "path option" on page 810.
- If the variable is a data structure, some subfields may be set by the operation even if the operation ends in error.
- If the variable is an array, the parsing will only search for as much data as will fit in the array. The "Number of XML Elements" subfield in positions 372 - 379 of the PSDS will be set to the number of elements successfully set by the operation. For an array of data structures, this value will not include the element being set if a parsing error occurs while parsing the data for the subfields of the element; however, this array element may have some of its subfields set by the operation.

If the first operand is the %HANDLER built-in function:

- The procedure specified as the first operand of %HANDLER will be called when the parser has parsed enough XML data to fill the specified number of RPG array elements handled by the procedure. When the handler returns, the parser will continue to parse the XML data until it has parsed enough XML data to again fill the specified number of array elements to call the handling procedure. This continues until the document is completely parsed, or until the procedure returns a return code indicating that the parsing should halt.

The final call to the handling procedure may have fewer RPG array elements than the handling procedure can handle. The handling procedure should always

## XML-INTO (Parse an XML Document into a Variable)

refer to the "number of elements" parameter to ensure it does not access array elements that do not have any XML data.

The communication-area variable specified as the second operand of %HANDLER will be passed by the parser as the first parameter to the handling procedure, allowing the procedure coding the XML-INTO operation to communicate with the handling procedure, and allowing the handling procedure to save information from one call to the next.

- Each element of the temporary variable used to hold the array parameter for the procedure will be cleared to its default value before it is loaded from the XML data.
- The *path* option must be used to specify the name of the XML element to search for. See "%XML options for the XML-INTO operation code" on page 808 and "Expected format of XML data" on page 824 and for information about the *path* option.
- The array-handling procedure may be called several times during the XML-INTO operation. When the parser has found the number of elements specified by the DIM keyword on the second parameter, the procedure will be called. The final time the procedure is called may have fewer elements than specified by the DIM keyword. If there are no elements found, the procedure will not be called.

The handling procedure must have the following parameters and return type:

| Parameter number or return value | Data type and passing mode                                                        | Description                                                                                                                    |
|----------------------------------|-----------------------------------------------------------------------------------|--------------------------------------------------------------------------------------------------------------------------------|
| Return value                     | 4-byte integer (10I 0)                                                            | Returning a value of zero indicates that parsing should continue; returning any other value indicates that parsing should end. |
| 1                                | Any type, passed by reference                                                     | Used to communicate between the XML-INTO operation and the handler, and between successive calls to the handler.               |
| 2                                | Array, or array of data structures, passed by read-only reference (CONST keyword) | The array elements contain the data from the XML elements specified by the <i>path</i> option.                                 |
| 3                                | 4-byte unsigned (10U 0), passed by value                                          | The number of array elements in the second parameter that represent XML data.                                                  |

- See "%HANDLER (handlingProcedure : communicationArea )" on page 500 for more information on %HANDLER.

Subfields of a data structure will be set in the order they appear in the XML document; the order could be important if subfields overlap within the data structure.

%NULLIND is not updated for any field or subfield during an XML-INTO operation.

## XML-INTO (Parse an XML Document into a Variable)

Operation extender H can be specified to cause numeric data to be assigned half-adjusted. Operation extender E can be specified to handle the following status codes:

00351 Error in XML parsing

00352 Invalid XML option

00353 XML document does not match RPG variable

00354 Error preparing for XML parsing

**Note:** Operation extenders can be specified only when Free-form syntax is used.

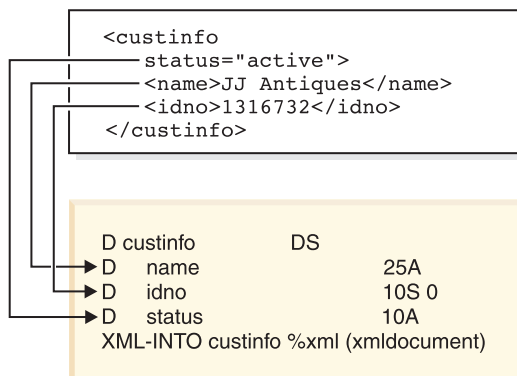
For status 00351, the return code from the parser will be placed in the subfield "External return code" in positions 368-371 of the PSDS. This subfield will be set to zero at the beginning of the operation and set to the value returned by the parser at the end of the operation.

If an unknown, invalid or unrelated option is found in the options parameter of the %XML built-in function, the operation will fail with status code 00352 (Error in XML options). The External return code subfield in the PSDS will not be updated from the initial value of zero, set when the operation begins.

The XML document is expected to match the RPG variable with respect to the names of the XML elements or attributes.

- The XML data for an RPG data structure is expected to have an XML element with the same name as the data structure and child elements and/or attributes with the same names as the RPG subfields.
- The XML data for an RPG array is expected to have a series of elements with the same name as the RPG array.

The *path* option can be used to set the name of the XML element matching the name of the specified variable, but it cannot be used to set the names of the XML elements and/or attributes matching a specified variable's subfields. For example, if variable DS1 has a subfield SF1, the XML element for DS1 can have any name, but the XML element or attribute for SF1 must have the name "sf1" (or "SF1", "Sf1", etc., depending on the *case* option).



When the RPG variable is an array or array of data structures, or when the %HANDLER built-in function is specified, the XML elements corresponding to the array elements are expected to be contained in another XML element. By default, the XML elements will be expected to be child elements of the outermost XML element in the document. The *path* option can be used to specify the exact path to the XML elements corresponding to the array elements. For example, if the

## XML-INTO (Parse an XML Document into a Variable)

outermost XML element is named "transaction", and it has a child element named "parts" which itself has several child elements named "part", then to read the "part" XML elements into an array, you would specify the option 'path=transaction/parts/part'.

```
<transaction>
 <parts>
 <part type = "bracket" size="15" num="100"/>
 <part type="frame" size="2" num="500"/>
 </parts>
</transaction>
```

When the XML document does not match the RPG variable, for example if the XML document does not contain the default or specified path, or if it is missing some XML elements or attributes to match the subfields of an RPG data structure, the XML-INTO operation will fail with status 00353. The *allowextra* and *allowmissing* options can be used to specify whether an XML element can have more or less data than is required to fully set the RPG variable.

For some RPG data types, XML attributes can be specified to control how the XML data is assigned to the RPG variable. See "Rules for transferring XML data to RPG variables" on page 829 for more information on these attributes.

If an XML reference other than the predefined references &amp;, &apos;, &lt;, &gt;, &quot;, or the hexadecimal unicode references &#xxxx is found, the result will contain the reference itself, in the form "&refname;". If this value is not valid for the data type, the operation will fail. For example, if an XML element has the value <data>1&decpoint;50/data> the string "1&decpoint;50" would be built up from the three pieces "1", "&decpoint;", and "0". This data is valid for a character or UCS-2 variable, but it would cause an error if converted to other types.

**Tip:** If XML data is known to contain such references, then following the completion of the XML-INTO operation, character and UCS-2 data should be inspected for the presence of references, and the correct value for the reference substituted using string operations such as %SCAN and %REPLACE.

If XML data is not valid for the type of the RPG variable it matches, the operation will fail with status 0353; the specific status code for the assignment error will appear in the replacement text for message RNX0353.

**Tip:** To avoid the XML-INTO operation failing because the data cannot be successfully assigned to RPG fields with types such as Date or Numeric, the receiver variable can be defined with subfields that are all of type character or UCS-2. Then the data can be converted to other data types by the RPG program using the conversion built-in functions %DATE, %INT, and so on.

The XML-INTO operation ignores the DOCTYPE declaration. The DOCTYPE declaration may contain the values of entity references that your program will have to handle manually. If you want to have access to the DOCTYPE declaration of the XML document, you can use the XML-SAX operation. Your XML-SAX handling procedure can halt the parsing as soon as it has found the DOCTYPE declaration value, or as soon as it knows that there will be no DOCTYPE declaration.

The following links provide more information on XML-INTO.

- "%XML options for the XML-INTO operation code" on page 808
- "Expected format of XML data" on page 824

## XML-INTO (Parse an XML Document into a Variable)

- “Rules for transferring XML data to RPG variables” on page 829
- “Examples of the XML-INTO operation” on page 830

### %XML options for the XML-INTO operation code

Several options are available for customizing the XML-INTO operation. The options are specified as the second parameter of the %XML built-in function. The parameter can be a constant or a variable expression. The options are specified in the form 'opt1=val1 opt2=val2'.

See “%XML (xmlDocument {:options})” on page 559 for more information on how to specify the options.

- The *path* option specifies where to locate the desired XML element within the XML document.
- The *doc* option specifies whether the first parameter of the %XML built-in function has an XML document, or has the name of a file containing the XML document.
- The *ccsid* option specifies the CCSID to be used to parse the XML document.
- The *case* option specifies whether the names within the XML document are in lower case, upper case, or mixed case.
- The *trim* option specifies whether you want blanks, tabs and line-end characters to be trimmed from the XML data before it is assigned to your RPG variables.
- The *allow missing* option specifies how the RPG runtime should handle the situation when the XML document does not have enough XML elements or XML attributes to provide data for all the RPG subfields of a data structure.
- The *allow extra* option specifies how the RPG runtime should handle the situation when the XML document has additional XML elements or attributes that are not needed to set the RPG variable.

#### doc (default string)

The *doc* option indicates what the source operand of %XML contains.

- *string* indicates that the source operand contains XML data
- *file* indicates that the source operand contains the name of a file in the Integrated File System

```
// In the following example, the first parameter
// of %XML is the name of a file. Option
// "doc=file" must be specified.
ifsfild = 'myfile.xml';
opt = 'doc=file';
XML-INTO myfield %XML(ifsfild : opt);

// In the following example, the first parameter
// of %XML is an XML document. Since the "doc"
// option defaults to "string", no options are
// necessary.
xmldata = '<data><num>3</num></data>';
XML-INTO data %XML(xmldata);

// However, "doc=string" may still be specified.
xmldata = '<data><num>3</num></data>';
XML-INTO data %XML(xmldata : 'doc=string');
```

Figure 369. Example of the doc option:

## XML-INTO (Parse an XML Document into a Variable)

### **ccsid** (default *best*)

The *ccsid* option specifies the CCSID to be used for processing the XML document. Some CCSID conversions may be performed during the XML-INTO operation:

- CCSID conversion may be required from the XML document to a temporary copy of the XML document, if the CCSID of the XML document differs from the CCSID used for parsing.
- CCSID conversion may be required when assigning XML data to an RPG variable, if the CCSID used for parsing differs from the CCSID of the RPG variable.

If the CCSID of the actual document is different from the CCSID to be used for processing the document, CCSID conversion will be done on the entire document before parsing begins. If the CCSID to be used for processing the document is different from the CCSID of an RPG variable, CCSID conversion will be done on the data when it is assigned to the RPG variable.

- *best* indicates that the document should be processed in the CCSID that will best preserve the data in the document. If the document is in the job CCSID or an ASCII CCSID related to the job CCSID, the document will be processed in the job CCSID. Otherwise, the document will be processed in UCS-2 and the data will be converted to the job CCSID before it is assigned to variables with a data type other than UCS-2.
- *job* indicates that the document should be processed in the job CCSID. The data will be converted to UCS-2 when it is assigned to UCS-2 variables.
- *ucs2* indicates that the document should be processed in UCS-2. The data will be converted to the job CCSID when it is assigned to variables with a data type other than UCS-2.

When the XML document is in a file, the contents of the entire file may be converted to another CCSID before parsing begins.

## XML-INTO (Parse an XML Document into a Variable)

The following table lists several files and their CCSIDs:

File	File CCSID	Related EBCDIC CCSID
file1.xml	37	37
file2.xml	1252	37
file3.xml	874	838
file4.xml	13488	(N/A, UCS-2)
file5.xml	1208	(N/A, UTF-8)

The following table shows the CCSID that would be used for processing these files for each value of the *ccsid* option, assuming the job CCSID is 37. An asterisk indicates that the file is converted to a different CCSID before processing:

File	CCSID Option Value		
	<i>best</i>	<i>job</i>	<i>ucs2</i>
file1.xml	37	37	13488*
file2.xml	37*	37*	13488*
file3.xml	13488*	37*	13488*
file4.xml	13488	37*	13488
file5.xml	13488*	37*	13488*

When the XML document is in a variable, the entire document may be converted to a different CCSID before parsing begins.

Given the following variable definitions:

```
D chrXml S 100A
D ucs2Xml S 100C
```

The following table shows the CCSID that would be used for processing these variables for each value of the "ccsid" option, assuming the job CCSID is 37. An asterisk indicates that the data in the variable is converted to a different CCSID before processing.

Variable	CCSID Option Value		
	<i>best</i>	<i>job</i>	<i>ucs2</i>
chrXml	37	37	13488
ucs2Xml	13488	37*	13488

**path** The *path* option specifies the path to the element as it appears in the XML document, with elements separated by forward slashes. For example, if this option is *path*=main/info/name, the parser will expect the document element to be "main", a child of "main" to be "info", and a child of "info" to be "name". If no element can be found, the operation will fail with status 00353 (XML does not match RPG variable).

**Note:** The value of the "allowmissing" option has no effect on this situation.

**Note:** The *path* option is required when %HANDLER is used to specify an array-handling procedure.



## XML-INTO (Parse an XML Document into a Variable)

**Default:** When the *path* option is not specified, the search for the XML element matching the RPG variable depends on the type of the variable.

- For non-array variables, the outermost XML element is expected to have the same name as the RPG variable.
- For array variables, the outermost XML element is expected to have child elements with the same name as the RPG array variable. The outermost XML element can have any name.

**Notes:**

1. If the variable is a qualified subfield, only the name of the subfield is used in determining the path to the XML variable. For example, if the variable is DS.SUB1, the default is to expect the outermost XML element to be called "sub1".
2. The path specified by this option is case sensitive. It must be in the same case as the matching elements in the XML document unless the *case* option is also specified.

## XML-INTO (Parse an XML Document into a Variable)

```
D info DS
D num 5P 2

D xmlDoc S 1000A VARYING

D qualDs DS QUALIFIED
D subf 10A

/free
// 1. Specifying a different name for the XML element
xmlDoc = '<myinfo><num>123.45</num></myinfo>';
xml-into info %XML(xmlDoc : 'path=myinfo');
// num now has the value 123.45

// 2. Neglecting to specify a different name for the XML
// element causes the operation to fail
xmlDoc = '<myinfo><num>456.1</num></myinfo>';
xml-into info %XML(xmlDoc);
// The XML-INTO operation fails with status 00353 because the
// document does not contain the "info" element

// 3. Specifying that the XML element is not the outermost
// element in the document
xmlDoc = '<data><info><num>-789</num></info></data>';
xml-into info %XML(xmlDoc : 'path=data/info');
// num now has the value -789

// 4. Parsing into a subfield where the data structure is
// represented by the XML. The full path to the "num"
// XML element must be specified.
xmlDoc = '<data><info><num>.3</num></info></data>';
xml-into num %XML(xmlDoc :
 'path=data/info/num');
// num now has the value .3

// 5. Specifying the "path" option with XML from a file
// Assume file myfile.xml contains the following lines:
// <?xml version='1.0' ?>
// <data>
// <val>17</val>
// </data>
xml-into num %XML('myfile.xml' : 'doc=file path=data/val');
// num now has the value 17

// 6. Specifying a qualified subfield without the "path"
// option.
xmlDoc = '<subf>-987.65</subf>';
xml-into qualDs.subf %XML(xmlDoc);
// qualDs.subf now has the value '-987.65'

// 7. Specifying a qualified subfield with the "path"
// option.
// Note that the default path for a qualified subfield
// is the subfield name; in this XML document, the
// XML element for the subfield is a child element
// of another XML element so the 'path' option must
// be specified, and it must include the names of all
// the ML elements in the path to the required XML
// element, including the XML element containing the
// data to set the variable.
xmlDoc = '<qualds><subf>-987.65</subf></qualds>';
xml-into qualDs.subf %XML(xmlDoc :
 'path=qualds/subf');
// qualDs.subf now has the value '-987.65'
```

Figure 370. Examples of the path option with non-array variables:

## XML-INTO (Parse an XML Document into a Variable)

```

D loc DS DIM(2)
D city 20A VARYING
D prov 2A
D arr S 5I 0 DIM(3)
D xmlDoc S 1000A VARYING

/free
// 1. Parsing an array from a string where the
// string contains array elements. The XML
// elements matching the RPG array elements
// are children of an XML element "outer".
// The "path" option is not needed because
// XML elements with the name "arr" are
// expected to be child elements of the
// outermost XML element.
xmlDoc = '<outer>'
 + '<arr>3</arr>'
 + '<arr>4</arr>'
 + '<arr>-2</arr>'
 + '</outer>' ;
xml-into arr %XML(xmlDoc);
// arr(1) = 3
// arr(2) = 4
// arr(3) = -2

// 2. Parsing a DS array from a file where the
// file contains array elements with a
// container XML element. The "path" option
// is not needed. The name of the outermost element
// does not matter.
// Assume file myarray.xml contains the following lines:
// <locations>
// <loc><city>Saskatoon</city><prov>SK</prov></loc>
// <loc><city>Regina</city><prov>SK</prov></loc>
// </locations>
xml-into loc %XML('myarray.xml' : 'doc=file');
// loc(1).city = 'Saskatoon' loc(2).city = 'Regina'
// loc(1).prov = 'SK' loc(2).prov = 'SK'

// 3. Parsing a DS array where the XML elements have
// a different name from the array name. The
// "path" option specifies the full path to the
// XML elements, including the container element
// "data".
// Assume file mydata.xml contains the following lines:
// <data>
// <where><city>Edmonton</city><prov>AB</prov></where>
// <where><city>Toronto</city><prov>ON</prov></where>
// </data>
xmlfile = 'mydata.xml';
xml-into loc %XML(xmlfile : 'path=data/where doc=file');
// loc(1).city = 'Edmonton' loc(2).city = 'Toronto'
// loc(1).prov = 'AB' loc(2).prov = 'ON'

```

Figure 371. Examples of the path option with array variables:

### case (default lower)

The *case* option specifies the case expected for element and attribute names in the XML document when searching for XML data that matches the the RPG field names and the names in the *path* option. If the XML elements are not in the expected case, they will not be found, and the operation will fail with status 00353 (XML document does not match RPG variable) unless option 'allowmissing=yes' is specified.

## XML-INTO (Parse an XML Document into a Variable)

- *lower* indicates that the XML element and attribute names matching the RPG variable names are in lower case.
- *upper* indicates that the XML element and attribute names matching the RPG variable names are in upper case.
- *any* indicates that the element and attribute names matching the RPG variable names are in unknown or mixed case. The XML element and attribute names will be converted to upper case before comparison to the upper-case RPG variable names.

```
D info DS QUALIFIED
D name 10A
D id_no 5A
D xmlDoc S 1000A VARYING

/free
// 1. The XML document uses lowercase for element names and
// attributes. The "case" option defaults to lowercase
// so it is not needed.
xmlDoc = '<info><name>Jim</name><id_no>103</id_no></info>';
xml-into info %XML(xmlDoc);
// info.name = 'Jim'
// info.id_no = '103'

// 2. The XML document uses uppercase for element names and
// attributes. Option "case=upper" must be specified.
xmlDoc = '<INFO><NAME>Bill</NAME><ID_NO>104</ID_NO></INFO>';
xml-into info %XML(xmlDoc : 'case=upper');
// info.name = 'Bill'
// info.id_no = '104'

// 3. The XML document uses mixed case for element names and
// attributes. Option "case=any" must be specified.
xmlDoc = '<INFO><name>Tom</name>'
 + '<ID_NO>105</ID_NO></INFO>';
xml-into info %XML(xmlDoc : 'case=any');
// info.name = 'Tom'
// info.id_no = '104'

// 4. The XML document uses mixed case for element names and
// attributes but the "case" option is not specified.
xmlDoc = '<INFO><name>Tom</name>'
 + '<ID_NO>105</ID_NO></INFO>';
xml-into info %XML(xmlDoc);
// The XML-INTO operation fails with status 00353 because
// it assumes the XML elements will have lowercase names.
```

Figure 372. Examples of the case option:

### trim (default all)

The *trim* option specifies whether *whitespace* (blanks, newlines, tabs etc.) should be trimmed from text data before the data is assigned to RPG variables

- *all* indicates that before text content is assigned to the RPG character or UCS-2 variable, the following steps will be done:
  1. Leading and trailing whitespace will be trimmed completely from text content
  2. Strings of interior whitespace in the text content will be reduced to a single blank

## XML-INTO (Parse an XML Document into a Variable)

- *none* indicates that no whitespace will be trimmed from text content. This option will have the best performance, but it should only be used if the whitespace is wanted, or if the XML data is known to contain no unwanted whitespace, or if the RPG program is going to handle the removal of the whitespace itself.

### Notes:

1. Whitespace includes blank, tab, end-of-line, carriage-return, and line-feed.
2. This option applies only to XML data that is to be assigned to character and UCS-2 RPG variables. Trimming of whitespace is always done for other data types.
3. This option is mainly provided for XML data from files, but it also applies to XML data from a variable.
4. Whitespace between XML elements is always ignored. The trim option controls the whitespace within text content of elements and attributes.

```
D data S 100A VARYING
// Assume file data.xml contains the following lines:
// <text>
// line1
// line2
// </text>
//
// Here is another view of this same file where
// ' ' represents a blank
// 'T' represents a tab
// 'F' represents a line-feed
// <text>__F
// Tline1F
// __line2F
// </text>F
//free
// 1. The default of "trim=all" is used. Leading and
// trailing whitespace is removed. Strings of
// internal whitespace is changed to a single blank.
xml-into data %XML('data.xml' : 'doc=file');
// data = 'line1 line2'

// 2. Option "trim=none" is specified. No whitespace
// is trimmed from text data.
xml-into data %XML('data.xml' : 'doc=file trim=none');
// The following line shows the value of data with the
// line-feed and tab characters shown as ?.
// data = ' ??line1? line2?'
// The following line shows the value of data with the
// blanks, line-feed and tab characters shown as in the
// second view of the document.
// data = '__FTline1F__line2F'
```

Figure 373. Examples of the trim option:

### allowmissing (default *no*)

For the situation where the XML document does not have sufficient XML elements or attributes for the subfields of an RPG data structure, you can use the *allowmissing* option to indicate whether this is considered an error. XML data is considered to be missing in the following circumstances:

## XML-INTO (Parse an XML Document into a Variable)

- For an XML element matching an RPG data structure (including a data structure subfield), if the XML element does not have attributes or child elements for all RPG subfields.
- For XML data matching an array subfield of an RPG data structure, if the number of XML elements is less than the dimension of the RPG subfield array.

If expected XML data is not found, and 'allowmissing=yes' is not specified, the operation will fail with status 00353 (XML does not match RPG variable).

To allow fewer array elements for the array specified on the XML-INTO operation, it is not necessary to specify 'allowmissing=yes'. If the XML document contains fewer elements than the RPG array, the operation will not fail. The "Number of XML Elements" subfield in positions 372 - 379 of the PSDS can be used to determine the number of elements successfully set by the operation.

- *no* indicates that XML data must be present for every subfield of a data structure (including subfields of data structure subfields), and XML data must be present for every element of every subfield array.
- *yes* indicates that when XML data is not present for every subfield and subfield array element, the operation will not fail. If a variable is specified as the first operand of XML-INTO, the unset subfields will hold the same value they held before the operation. If %HANDLER is specified as the first operand of XML-INTO, the unset subfields of the array passed to the handling procedure will have the default value for the type (zero for numeric values, \*LOVAL for date values and so on).

## XML-INTO (Parse an XML Document into a Variable)

```

D employee DS QUALIFIED
D name 10A VARYING
D type 10A
D empInfo3 DS QUALIFIED
D emp LIKEDS(employee)
D DIM(3)
D empInfo2 DS QUALIFIED
D emp LIKEDS(employee)
D DIM(2)
D empInfo4 DS QUALIFIED
D emp LIKEDS(employee)
D DIM(4)

// Assume file emp.xml contains the following lines:
// <employees>
// <emp><name>Jack</name><type>Normal</type></emp>
// <emp><name>Mary</name><type>Manager</type></emp>
// <emp><name>Sally</name><type>Normal</type></emp>
// </employees>
/free
// 1. The "empInfo3" data structure has an array "emp"
// with a dimension of 3.
// The "allowmissing" option is not required.
// The default of "allowmissing=no" can be used, since
// the XML document exactly matches the data structure.
xml-into empInfo3 %XML('emp.xml' :
 'doc=file path=employees');
// empInfo3.emp(1) .name = 'Jack' .type = 'Normal'
// empInfo3.emp(2) .name = 'Mary' .type = 'Manager'
// empInfo3.emp(3) .name = 'Sally' .type = 'Normal'

// 2. Option "allowmissing=no" may be specified, however.
xml-into empInfo3 %XML('emp.xml' :
 'doc=file ' +
 'allowmissing=no path=employees');
// empInfo3.emp(1) .name = 'Jack' .type = 'Normal'
// empInfo3.emp(2) .name = 'Mary' .type = 'Manager'
// empInfo3.emp(3) .name = 'Sally' .type = 'Normal'

// 3. Option "allowmissing=yes" must be specified with
// data structure "empInfo4", since the XML document
// has only three "emp" XML elements, and the RPG "emp"
// array has four elements.
xml-into empInfo4
 %XML('emp.xml' : 'doc=file ' +
 'allowmissing=yes path=employees');
// empInfo4.emp(1) .name = 'Jack' .type = 'Normal'
// empInfo4.emp(2) .name = 'Mary' .type = 'Manager'
// empInfo4.emp(3) .name = 'Sally' .type = 'Normal'
// empInfo4.emp(4) .name = '' .type = ''

// 4. Option "allowmissing" is not specified for data
// structure "empInfo4"
xml-into empInfo4 %XML('emp.xml' :
 'doc=file path=employees');
// The XML-INTO operation fails with status 00353 because
// the XML document does not have enough "emp" elements
// for the RPG array.

```

Figure 374. Examples of the allowmissing option with insufficient data for subfield arrays:

## XML-INTO (Parse an XML Document into a Variable)

```

D qualName DS QUALIFIED
D name 10A
D lib 10A

D copyInfo DS QUALIFIED
D from LIKEDS(qualName)
D to LIKEDS(qualName)

// Assume file cpyA.xml contains the following lines:
// <?xml version='1.0' ?>
// <copyInfo>
// <to><name>MYFILE</name><lib>*LIBL</lib></to>
// <from name="MASTFILE" lib="CUSTLIB"></from>
// </copyInfo>

// Assume file cpyB.xml contains the following lines:
// <copyInfo>
// <from><name>MASTER</name><lib>PRODLIB</lib></from>
// <to><name>MYCOPY</name></to>
// </copyInfo>
/free
// 1. Data structure "copyInfo" has two subfields, "from"
// and "to". Each of these subfields has two subfields
// "name" and "lib". File "cpyA.xml" exactly matches
// the "copyInfo" structure, so the "allowmissing" option
// is not needed.
xml-into copyInfo %XML('cpyA.xml' : 'doc=file');
// copyInfo.from .name = 'MASTFILE' .lib = 'CUSTLIB'
// copyInfo.to .name = 'MYFILE' .lib = '*LIBL'

// 2. File "cpyB.xml" is missing the "lib" subfield from
// the XML element "copyinfo.to". Option
// "allowmissing=yes" must be specified to allow
// a subfield to be missing from the XML document.
// The copyInfo structure is cleared before the
// operation so the program can determine
// which subfields were not assigned any data.
clear copyInfo;
xml-into copyInfo %XML('cpyB.xml'
: 'doc=file allowmissing=yes');
// copyInfo.from .name = 'MASTER' .lib = 'PRODLIB'
// copyInfo.to .name = 'MYCOPY' .lib = '
//
// The RPG program inspects the data to see if any subfields
// have not been set.
if copyInfo.from.lib = *blanks;
 copyInfo.from.lib = '*LIBL';
endif;
if copyInfo.to.lib = *blanks;
 copyInfo.to.lib = '*LIBL';
endif;

```

Figure 375. Examples of the *allowmissing* option with insufficient data for all subfields:

### **allowextra** (default *no*)

For the situation where the XML document has XML elements or attributes that are not needed for assignment to the subfields of an RPG data structure, you can use the *allowextra* option to indicate whether this is considered an error. XML data is considered to be extra in the following circumstances:

- For XML data matching an RPG data structure, if non-whitespace text content is found.



## XML-INTO (Parse an XML Document into a Variable)

- For XML data matching an array subfield of an RPG data structure, if the number of XML elements is greater than the dimension of the RPG subfield array.
- For XML data matching a RPG scalar variable (neither data structure nor unindexed array), if the XML element contains child elements or attributes, other than the special formatting attributes allowed for some data types (see “Rules for transferring XML data to RPG variables” on page 829).

If unexpected XML data is found, and 'allowextra=yes' is not specified, the operation will fail with status 00353 (XML does not match RPG variable).

**Warning:** At any time, XML attributes for non-data-structure XML elements may be subject to interpretation by the RPG runtime. Currently, "fmt" and "adjust" are already being interpreted by the RPG runtime for some target data types. Support for other attributes may be added at any time, possibly even through PTFs. If an attribute is being ignored by option 'allowextra=yes', and that attribute becomes meaningful for the RPG runtime, it may affect the handling of the data.

- *no* indicates that the XML elements used to set the RPG variable or array elements must contain only the data necessary to set the variable.
- *yes* indicates that additional XML data will be ignored.

## XML-INTO (Parse an XML Document into a Variable)

```

D employee DS QUALIFIED
D name 10A VARYING
D type 10A
 D
D empInfo2 DS QUALIFIED
D emp LIKEDS(employee)
D DIM(2)
 D
D empInfoAway DS QUALIFIED
D emp LIKEDS(employee)
D DIM(2)
D away 10A DIM(2)

// Assume file emp.xml contains the following lines:
// <employees>
// <emp><name>Jack</name><type>Normal</type></emp>
// <emp><name>Mary</name><type>Manager</type></emp>
// <emp><name>Sally</name><type>Normal</type></emp>
// </employees>
/free

// 1. Option "allowextra=yes" must be specified with
// data structure "empInfo2", since the XML document
// has three "emp" XML elements, and the RPG "emp"
// array only has two elements.
xml-into empInfo2
 %XML('emp.xml'
 : 'doc=file allowextra=yes path=employees');
// empInfo2.emp(1) .name = 'Jack' .type = 'Normal'
// empInfo2.emp(2) .name = 'Mary' .type = 'Manager'

// 2. Option "allowextra" is not specified for data structure
// "empInfo2"
xml-into empInfo2
 %XML('emp.xml' : 'doc=file path=employees');
// The XML-INTO operation fails with status 00353 because
// the XML document has too many "emp" elements for the
// RPG array.

// 3. Structure "empInfoAway" requires 2 "emp" elements and
// 2 "away" elements. The XML document contains
// 3 "emp" elements and zero "away" elements.
// Option "allowextra=yes allowmissing=yes" is specified,
// so the operation will succeed with any number of
// "emp" and "away" XML elements. The extra "emp"
// element and missing "away" elements will be ignored.
xml-into empInfoAway
 %XML('emp.xml' : 'allowextra=yes ' +
 'allowmissing=yes ' +
 'path=employees ' +
 'doc=file');
// empInfoSite.emp(1) .name = 'Jack' .type = 'Normal'
// empInfoSite.emp(2) .name = 'Mary' .type = 'Manager'
// empInfoSite.away(1) = ' '
// empInfoSite.away(2) = ' '

```

Figure 376. Examples of the allowextra option with extra elements for a subfield array:

## XML-INTO (Parse an XML Document into a Variable)

```

D qualName DS QUALIFIED
D name 10A
D lib 10A

D copyInfo DS QUALIFIED
D from LIKEDS(qualName)
D to LIKEDS(qualName)

D copyInfo3 DS QUALIFIED
D from LIKEDS(qualName)
D to LIKEDS(qualName)
D create 1N

// Assume file cpyA.xml contains the following lines:
// <copyInfo>
// <to><name>MYFILE</name><lib>*LIBL</lib></to>
// <from name="MASTFILE" lib="CUSTLIB"></from>
// </copyInfo>

// Assume file cpyC.xml contains the following lines:
// <copyinfo errors="tolerate">
// <to><name>MYFILE</name><lib>MYLIB</lib></to>
// <from><name>MASTFILE</name><lib>CUSTLIB</lib></from>
// <to><name>MYFILE2</name></to>
// </copyinfo>

// Assume file cpyD.xml contains the following lines:
// <copyinfo to="MYLIB/MYFILE">
// <from><name>MASTFILE</name><lib>CUSTLIB</lib></from>
// </copyinfo>
/free
// 1. Data structure "copyInfo" has two subfields, "from"
// and "to". Each of these subfields has two subfields
// "name" and "lib". File "cpyA.xml" exactly matches
// the "copyInfo" structure, so the "allowextra" option
// is not needed, since "allowextra" defaults to "yes".

```

Figure 377. Examples of the `allowextra` option with XML data not corresponding to RPG subfields: (Part 1 of 2)

## XML-INTO (Parse an XML Document into a Variable)

```
xml-into copyInfo %XML('cpyA.xml' : 'doc=file');
// copyInfo.from .name = 'MASTFILE ' .lib = 'CUSTLIB '
// copyInfo.to .name = 'MYFILE ' .lib = '*LIBL '

// 2. File "cpyC.xml" has an XML attribute for the
// for the XML element "copyinfo" that does not
// match an RPG subfield. It also has the
// "to" subfield specified more than once. Option
// "allowextra=yes" must be specified to allow
// extra subfields in the XML document.
// The extra XML data will be ignored.
xml-into copyInfo
 %XML('cpyC.xml' : 'doc=file allowextra=yes');
// copyInfo.from .name = 'MASTFILE ' .lib = 'CUSTLIB '
// copyInfo.to .name = 'MYFILE ' .lib = 'MYLIB '

// 3. Data structure copyInfo3 has a subfield
// "create" that does not appear file "cpyC.xml".
// "cpyC.xml" has both missing and extra subfields
// for data structure "copyInfo3".
// Options "allowextra=yes allowmissing=yes" must
// both be specified.
// The extra subfields will be ignored and the
// missing subfield will retain its original value.
clear copyInfo3;
xml-into copyInfo3
 %XML('cpyC.xml' : 'allowextra=yes ' +
 'allowmissing=yes ' +
 'doc=file ' +
 'path=copyinfo');
// copyInfo3.from .name = 'MASTFILE ' .lib = 'CUSTLIB '
// copyInfo3.to .name = 'MYFILE ' .lib = 'MYLIB '
// copyInfo3.create = '0' (from the CLEAR operation)

// 4. File "cpyD.xml" has an XML element "copyInfo"
// with an attribute "to". Subfields can be specified
// by attributes only when the subfield is neither
// an array nor a data structure.
xml-into copyInfo %XML('cpyC.xml' : 'doc=file');
// The XML-INTO operation fails because the "to" attribute
// is not expected, and because the "to" XML element is
// not found.

// 5. Options "allowextra=yes allowmissing=yes" are
// specified, allowing the extra "to" attribute to be
// ignored and the missing "to" element to be tolerated.
// The "to" subfield is not changed by the XML-INTO
// operation.
copyInfo.to.name = '*UNSET*';
copyInfo.to.lib = '*UNSET*';
xml-into copyInfo %XML('cpyD.xml' : 'doc=file ' +
 'allowextra=yes allowmissing=yes');
// copyInfo.from .name = 'MASTFILE ' .lib = 'CUSTLIB '
// copyInfo.to .name = '*UNSET* ' .lib = '*UNSET* '
```

Figure 377. Examples of the allowextra option with XML data not corresponding to RPG subfields: (Part 2 of 2)

## XML-INTO (Parse an XML Document into a Variable)

```
D part DS
D size 10A

// Assume file part.xml contains the following lines:
// <?xml version='1.0' ?>
// <part>light bulb<size>medium</size></part>

/free
// 1. "part" is a data structure. The XML file
// part.xml has an element called "part" with
// both element and text children
xml-into part %XML('part.xml' : 'doc=file');
// The XML-INTO operation fails because the "part" XML
// element has text content ("light bulb"),
// and the "allowextra" option defaults to "no".

// 2. "allowextra=yes" is specified, allowing the
// text content to be ignored
xml-into part %XML('part.xml' : 'doc=file allowextra=yes');
// size = 'medium'
```

Figure 378. Examples of the `allowextra` option with unexpected text content for a data structure:

## XML-INTO (Parse an XML Document into a Variable)

```
D text S 200A VARYING

D order DS QUALIFIED
D part 25A VARYING
D quantity 10I 0

// Assume file txt.xml contains the following lines:
// <?xml version='1.0' ?>
// <text><word>Hello</word><word>World</word></text>

// Assume file ord.xml contains the following lines:
// <?xml version='1.0' ?>
// <order>
// <part>Jack in a box<discount>yes</discount></part>
// <quantity multiplier="10">2</quantity>
// </order>
/free
// 1. "text" is a standalone variable. The XML file
// txt.xml has an element called "text" with two
// child elements called "word".
xml-into text %XML('txt.xml' : 'doc=file');
// The XML-INTO operation fails because the "text" XML
// element has child elements, and the "allowextra"
// option defaults to "no".

// 2. "allowextra=yes" is specified. The child elements
// are ignored.
xml-into text %XML('txt.xml' : 'allowextra=yes doc=file');
// The XML-INTO operation succeeds, but since the
// only content for the "text" XML element is the child
// XML elements, no data is available for RPG field "text".
// text = ''

// 3. "order" is a data structure with two subfields
// which are not themselves data structures.
// The XML elements representing the subfields
// should not have child elements or attributes, but the
// "part" XML element does have one child, "discount",
// and the "quantity" XML element has an attribute
// "multiplier". Option "allowextra=yes" is specified,
// so the "discount" element and "multiplier" attribute
// are ignored.
xml-into order %XML('ord.xml' : 'doc=file allowextra=yes');
// order.part = "Jack in a box"
// order.quantity = 2
```

Figure 379. Examples of the *allowextra* option with unexpected non-text content for a scalar variable or subfield:

### Expected format of XML data

The structure of the XML elements is expected to match the structure of the RPG variable.

- The XML element matching the RPG variable can be at any nesting level of the XML document, but the *path* option must be specified if the XML element is not at the assumed nesting level of the document. The following assumptions are made when the *path* option is not specified.
  - For non-array variables (including table names and multiple occurrence data structures, the document element (the outermost XML element) is assumed to be the XML element matching the RPG variable. If the name of the outermost XML element is not the same as the name of the RPG variable, the *path* option must be used to specify the XML element to be used.

## XML-INTO (Parse an XML Document into a Variable)

- For array variables, direct children of the document element (the outermost XML element) are assumed to be the XML elements matching the RPG variable
- XML elements matching an RPG subfield can be
  - XML attributes of the XML element matching the RPG subfield’s parent data structure (only for subfields that are not themselves data structures)
  - direct child XML elements of the XML element matching the data structure containing the subfield
- XML elements matching RPG arrays must be children of the same XML parent. It is not required that these child elements appear together in the XML document; they may be interleaved with other elements.

**Note:** XML processing instructions are ignored by XML-INTO. Processing instructions are in the form

```
<?targetname data value ?>
```

### Scalar variable

```
D libname S 10A
/free
XML-INTO libname %XML(xmldoc : option)
```

Sample XML for XML-INTO libname	path option
<libname>data</libname>	
<library>data</library>	'path=library'
<info><library>data</library></info>	'path=info/library'

### Array element

```
D sites S 25A DIM(3)
/free
XML-INTO sites(n) %XML(xmldoc : option)
```

Sample XML for XML-INTO sites	path option
<sites>data</sites>	blank
<custsites>data</custsites>	'path=custsites'
<info><sites>data</sites></info>	'path=info/sites'

### Table name

```
D tabname S 10A DIM(5)
/free
XML-INTO tabname %XML(xmldoc : opts)
```

Sample XML for XML-INTO tabname	path option
<tabname>data</tabname>	blank
<library>data</library>	'path=library'
<info><library>data</library></info>	'path=info/library'

### Simple data structure or multiple-occurrence data structure

**Note:** The XML data in the examples show line breaks and indentation for clarity only. The XML data may be formatted in any convenient way.

## XML-INTO (Parse an XML Document into a Variable)

```
D pgm DS
D name 10A
D lib 10A
```

Figure 380.

OR

```
D pgm DS OCCURS(5)
D name 10A
D lib 10A
/free
XML-INTO pgm %XML(xmldoc : option)
```

Figure 381.

Sample XML for XML-INTO pgm	path option
<pre>&lt;pgm&gt;   &lt;name&gt;data&lt;/name&gt;   &lt;lib&gt;data&lt;/lib&gt; &lt;/pgm&gt;</pre>	blank
<pre>&lt;program&gt;   &lt;name&gt;data&lt;/name&gt;   &lt;lib&gt;data&lt;/lib&gt; &lt;/program&gt;</pre>	'path=program'
<pre>&lt;api&gt;   &lt;program&gt;     &lt;name&gt;data&lt;/name&gt;     &lt;lib&gt;data&lt;/lib&gt;   &lt;/program&gt; &lt;/api&gt;</pre>	'path=api/program'

**Note:** The subfield information can come from XML elements or XML attributes. The following show other valid ways to specify the XML for the subfields of the data structure. The designer of the XML document can use either attributes or elements freely when representing the XML data for a scalar subfield.

```
<pgm name="data" lib="data"/>
OR
<pgm name="data">
 <lib>data</lib>
</pgm>
```

### Array of scalar type

```
D sites S 25A DIM(3)
/free
XML-INTO sites %XML(xmldoc : option)
```

Sample XML for XML-INTO sites	path option
<pre>&lt;anything&gt;   &lt;sites&gt;data&lt;/sites&gt;   &lt;sites&gt;data&lt;/sites&gt;   &lt;sites&gt;data&lt;/sites&gt; &lt;/anything&gt;</pre>	blank



## XML-INTO (Parse an XML Document into a Variable)

Sample XML for XML-INTO sites	path option
<pre>&lt;info&gt;   &lt;custsites&gt;data&lt;/custsites&gt;   &lt;custsites&gt;data&lt;/custsites&gt;   &lt;custsites&gt;data&lt;/custsites&gt; &lt;/info&gt;</pre>	'path=info/custsites'

### Array of data structures

```
D pgm DS DIM(3) QUALIFIED
D name 10A
D lib 10A
/free
XML-INTO pgm %XML(xml doc : option)
```

Sample XML for XML-INTO pgm	path option
<pre>&lt;anything&gt;   &lt;pgm name="name1" lib="lib1"/&gt;   &lt;pgm&gt;&lt;name&gt;name2&lt;/name&gt;   &lt;lib&gt;lib2&lt;/lib&gt;&lt;/pgm&gt;   &lt;pgm lib="lib3"&gt;&lt;name&gt;name3&lt;/pgm&gt; &lt;/anything&gt;</pre>	blank
<pre>&lt;programs&gt;   &lt;pgm name="name1" lib="lib1"/&gt;   &lt;pgm&gt;&lt;name&gt;name2&lt;/name&gt;   &lt;lib&gt;lib2&lt;/lib&gt;&lt;/pgm&gt;   &lt;pgm lib="lib3"&gt;&lt;name&gt;name3&lt;/pgm&gt; &lt;/programs&gt;</pre>	'path=programs/pgm'

**Note:** The three "pgm" XML elements have the name and lib information specified in various combinations of XML elements and XML attributes. The designer of the XML document can use either attributes or elements freely when representing the XML data for a scalar subfield.

### Complex data structure

```
D qualname DS QUALIFIED
D name 10A
D lib 10A
D dtaaraInfo DS QUALIFIED
D dtaara LIKEDS(qualname)
D type 10I 0
D value 100a
/free
XML-INTO dtaaraInfo %XML(xml doc : option)
```

Sample XML for XML-INTO dtaaraInfo	path option
<pre>&lt;dtaaraInfo&gt;   &lt;dtaara&gt;     &lt;name&gt;data&lt;/name&gt;     &lt;lib&gt;data&lt;/lib&gt;   &lt;/dtaara&gt;   &lt;type&gt;data&lt;/type&gt;   &lt;value&gt;data&lt;/value&gt; &lt;/dtaaraInfo&gt;</pre>	blank

## XML-INTO (Parse an XML Document into a Variable)

Sample XML for XML-INTO dtaaraInfo	<i>path</i> option
<pre>&lt;sys&gt;   &lt;obj&gt;     &lt;dta&gt;       &lt;dtaara&gt;         &lt;name&gt;data&lt;/name&gt;         &lt;lib&gt;data&lt;/lib&gt;       &lt;/dtaara&gt;       &lt;type&gt;data&lt;/type&gt;       &lt;value&gt;data&lt;/value&gt;     &lt;/dta&gt;   &lt;/obj&gt; &lt;/sys&gt;</pre>	'path=sys/obj/dta'

### Handler procedure with array of data structures

```
D myCommArea DS
D total 20u 0
D custType DS qualified
D name 50a varying
D id_no 10i 0
D city 20a
D custHdlr PR
D commArea likeds(myCommArea)
D custinfo likeds(custType) dim(5)
D numElems 10u 0 const
/free
XML-INTO %HANDLER(custHdlr : myCommArea) %XML(xmldoc : option)
```

**Note:** The *path* option is required when %HANDLER is specified.

Sample XML for XML-INTO %HANDLER(custHdlr:x)	<i>path</i> option
<pre>&lt;info&gt;   &lt;cust&gt;     &lt;name&gt;data&lt;/name&gt;     &lt;id_no&gt;data&lt;/id_no&gt;     &lt;city&gt;data&lt;/city&gt;   &lt;/cust&gt;   &lt;cust&gt;     &lt;name&gt;data&lt;/name&gt;     &lt;id_no&gt;data&lt;/id_no&gt;     &lt;city&gt;data&lt;/city&gt;   &lt;/cust&gt;   :   :   &lt;cust&gt;     &lt;name&gt;data&lt;/name&gt;     &lt;id_no&gt;data&lt;/id_no&gt;     &lt;city&gt;data&lt;/city&gt;   &lt;/cust&gt; &lt;/info&gt;</pre>	'path=info/cust'

### Handler procedure with array of scalar types

```
D myCommArea DS
D total 20u 0
D nameHdlr PR
D commArea likeds(myCommArea)
D names 10a dim(5)
D numNames 10u 0 const
/free
XML-INTO %HANDLER(nameHdlr : myCommArea) %XML(xmldoc : option)
```

## XML-INTO (Parse an XML Document into a Variable)

**Note:** The *path* option is required when %HANDLER is specified.

Sample XML for XML-INTO %HANDLER(nameHdlr:x)	<i>path</i> option
<pre>&lt;info&gt;   &lt;name&gt;data&lt;/name&gt;   &lt;name&gt;data&lt;/name&gt;   &lt;name&gt;data&lt;/name&gt;   &lt;name&gt;data&lt;/name&gt;   :   :   &lt;name&gt;data&lt;/name&gt;   &lt;name&gt;data&lt;/name&gt; &lt;/info&gt;</pre>	'path=info/names'

### Rules for transferring XML data to RPG variables

- For integer, unsigned, decimal (packed, zoned, binary) and float fields, the data will be transferred using the same rules as RPG uses for %INT, %UNS, %DEC, %FLOAT for respectively. %INTH, %UNSH and %DECH will be used if the Half-Adjust operation extender is specified on the XML-INTO operation code.
- For date, time and timestamp fields, the data will be transferred using the same rules as RPG uses for %DATE, %TIME and %TIMESTAMP respectively. The format defaults to \*ISO with separators. The format may be specified by an attribute *fmt* in the element. The value of the attribute must be one of the valid formats for the respective built-in function; the leading asterisk is optional. For formats that allow more than one separator in RPG, the separator defaults to the RPG default separator for the format. For example, for a date field, the following XML fragments are valid:

```
<myDate fmt="DMY/">25/12/04</myDate> <!-- 2004-12-25 -->
<myDate fmt="Dmy">25.12.04</myDate> <!-- 2004-12-25 -->
<myDate fmt="*cymd0">0971123</myDate> <!-- 1997-11-23 -->
```

- For indicator, character and UCS-2 fields, data will be transferred with appropriate CCSID conversion if necessary. Fixed-length fields will be assigned left-adjusted by default. The adjustment can be specified by an attribute *adjust* in the element, with a value of either "left" or "right". For example, if the RPG variable *data* is 10 bytes long, the following XML data will cause the value of DATA to be set to 'bbbbbabcd'.
- For graphic fields, data will be transferred using the same rules as the %GRAPH built-in function, with appropriate CCSID conversion if necessary. Fixed-length fields will be assigned left-adjusted by default. The adjustment can be specified by an attribute *adjust* in the element, with a value of either "left" or "right".
- Pointer and procedure-pointer subfields are not supported, and are ignored by the XML-INTO operation.
- The special attributes *fmt* and *adjust* will be treated as ordinary attributes if they are not relevant to the assignment of the matching variable, or if the value of the attribute is not valid. For example, the following XML attributes would be treated as ordinary XML attributes:

```
'fmt="abc"'
 "abc" is not a valid format
```

```
'adjust=yes'
 "yes" is not a valid value for the "adjust" attribute
```

```
'fmt="mdy/", if specified for a numeric field
```

## XML-INTO (Parse an XML Document into a Variable)

'adjust=right', if specified for a varying-length field

- The attributes *fmt* and *adjust* and their values must be specified in the case specified by the *case* option. The following table shows valid examples of the attributes for each value of the *case* option.

<i>case</i> option	<i>fmt</i> , example <i>"*MDY/"</i>	<i>adjust</i> , example <i>"right"</i>
<i>not specified</i>	<i>fmt="mdy/"</i> <i>fmt="*mdy/"</i>	<i>adjust="right"</i>
' <i>case=lower</i> '	<i>fmt="mdy/"</i> <i>fmt="*mdy/"</i>	<i>adjust="right"</i>
' <i>case=upper</i> '	<i>fmt="MDY/"</i> <i>fmt="*MDY/"</i>	<i>ADJUST="RIGHT"</i>
' <i>case=any</i> '	<i>Fmt="Mdy/"</i> <i>FMT="*mDY/"</i> and so on	<i>Adjust="Right"</i> <i>adjust="RIGHT"</i> and so on

## Examples of the XML-INTO operation

```

D qualName DS QUALIFIED
D name 10A
D lib 10A

D copyInfo DS QUALIFIED
D from LIKEDS(qualName)
D to LIKEDS(qualName)

D toName S 10A VARYING

// Assume file cpyA.xml contains the following lines:
// <copyinfo>
// <to><name>MYFILE</name><lib>*LIBL</lib></to>
// <from name="MASTFILE" lib="CUSTLIB"></from>
// </copyinfo>
//free
// Data structure "copyInfo" has two subfields, "from"
// and "to". Each of these subfields has two subfields
// "name" and "lib".
xml-into copyInfo %XML('cpyA.xml' : 'doc=file');
// copyInfo.from .name = 'MASTFILE' .lib = 'CUSTLIB'
// copyInfo.to .name = 'MYFILE' .lib = '*LIBL'

// Parse the "copyinfo/to/name" information into variable
// "toName". Use the "path" option to specify the location
// of this information in the XML document.
xml-into toName %XML('cpyA.xml'
 : 'doc=file path=copyinfo/to/name');
// toName = 'MYFILE'

```

Figure 382. Parsing directly into a variable from a file

## XML-INTO (Parse an XML Document into a Variable)

```
D info DS
D name 10A
D val 5I 0 DIM(2)
D xmlFragment S 1000A VARYING
D opts S 20A INZ('doc=string')
D dateVal S 10A INZ('12/25/04')
D format S 4A INZ('mdy/')
D mydate S D DATFMT(*ISO)

/free

// 1. Parsing into a data structure containing an array
xmlFragment = '<info><name>Jill</name>'
 + '<val>10</val><val>-5</val></info>';
xml-into info %XML(xmlFragment);
// info now has the value
// name = 'Jill'
// val(1) = 10
// val(2) = -5

// 2. Parsing into a date. The "fmt" XML attribute indicates the
// format of the XML date.
xmlFragment = '<mydate fmt="' + format + '>'
 + dateVal + '</mydate>';
xml-into mydate %XML(xmlFragment);
// xmlFragment = '<mydate fmt="mdy">12/25/04</mydate>'
// mydate = 2004-12-25
```

Figure 383. Parsing directly into a variable from a string variable

## XML-INTO (Parse an XML Document into a Variable)

```

// DDS for "MYFILE"
// A R PARTREC
// A ID 10P 0
// A QTY 10P 0
// A COST 7P 2

// XML data in "partData.xml"
// <parts>
// <part><qty>100</qty><id>13</id><cost>12.03</cost></part>
// <part><qty>9</qty><id>14</id><cost>3.50</cost></part>
// ...
// <part><qty>0</qty><id>254</id><cost>1.98</cost></part>
// </records>
Fmyfile if e disk
D options S 100A
D a110k S N

D partHandler PR 10I 0
D ok N
D parts LIKERECD(partrec) DIM(10)
D numRecs 10U 0 VALUE

:
:
/free
// Initiating the parsing
options = 'doc=file path=parts/part';
a110k = *ON;
xml-into %HANDLER(partHandler : a110k)
 %XML('partData.xml' : options);
// Check if the operation wrote the data
// successfully
if not a110k;
 // some output error occurred
endif;
/end-free

:
:
// The procedure to receive the data from up to 10
// XML elements at a time. The first call to the
// this procedure would be passed the following data
// in the "parts" parameter:
// parts(1) .id = 13 .qty = 100 .cost = 12.03
// parts(2) .id = 14 .qty = 9 .cost = 3.50
// ...
// If there were more than 10 "part" child elements in
// the XML file, this procedure would be called more
// than once.
P partHandler B
D PI 10I 0
D ok 1N
D parts LIKERECD(partrec) DIM(10)
D numRecs 10U 0 VALUE

D i S 10I 0
* xmlRecNum is a static variable, so it will hold its
* value across calls to this procedure.
* Note: Another way of storing this information would be to
* pass it as part of the first parameter; in that
* case the first parameter would be a data structure
* with two subfields: ok and xmlRecNum

```

Figure 384. Parsing an unknown number of XML elements using a handling procedure (Part 1 of 2)

```

D xmlRecNum S 10I 0 STATIC INZ(0)
/free
 for i = 1 to numRecs;
 xmlRecNum = xmlRecNum + 1;
 write(e) partRec parts(i);
 // Parameter "ok" was passed as the second parameter
 // for the %HANDLER built-in function for the XML-INTO
 // operation. The procedure doing the XML-INTO
 // operation can check this after the operation to
 // see if all the data was written successfully.
 if %error;
 // log information about the error
 logOutputError (xmlRecNum : parts(i));
 ok = *OFF;
 endif;
 endfor;

 // continue parsing
 return 0;
/end-free
P E

```

Figure 384. Parsing an unknown number of XML elements using a handling procedure (Part 2 of 2)

For more information about XML operations, see “XML Operations” on page 437.

---

**XML-SAX (Parse an XML Document)**

Free-Form Syntax	XML-SAX{(E)} %HANDLER( <i>handlerProc</i> : <i>commArea</i> ) %XML( <i>xmlDoc</i> {: <i>options</i> });
------------------	---------------------------------------------------------------------------------------------------------

Code	Factor 1	Extended Factor 2
XML-SAX{(E)}		%HANDLER( <i>handlerProc</i> : <i>commArea</i> ) %XML( <i>xmlDoc</i> {: <i>options</i> })

**Tip:** If you are not familiar with the basic concepts of XML and of processing XML documents, you may find it helpful to read the "Processing XML Documents" section in *WebSphere Development Studio: ILE RPG Programmer's Guide* before reading further in this section.

XML-SAX initiates a SAX parse for an XML document. The XML-SAX operation code begins by calling an XML parser which begins to parse the document. When an event occurs such as the parser finding the start of an element, finding an attribute name, finding the end of an element and so on, the parser calls the handling procedure *handlerProc* with parameters describing the event. When the handling procedure returns, the parser continues to parse until it finds the next event and calls the handling procedure again. When the parser has finished parsing the document, control passes to the statement following the XML-SAX operation.

The first operand must be the %HANDLER built-in function; *handlerProc* is a prototype name that specifies the procedure to be called to handle the SAX events and *commArea* is the communication-area parameter to be passed by the parser to the handling procedure. The communication-area parameter must be the same type as the first prototyped parameter of the handling procedure. It provides a way for the procedure specifying the XML-SAX operation code to communicate with the handling procedure, and for the handling procedure to save information related to the parse from one event to the next. See "%HANDLER (handlingProcedure : communicationArea )" on page 500 for more information on %HANDLER.

The second operand must be the %XML built-in function, identifying the XML document to be parsed and the options controlling the way the parsing is done. See "%XML (xmlDocument {:options})" on page 559 for more information on %XML.

Operation extender E can be specified to handle the following status codes:

- 00351** Error in XML parsing
- 00352** Invalid XML option
- 00354** Error preparing for XML parsing

For status 00351, the return code from the parser will be placed in the subfield "External return code" in positions 368-371 of the PSDS. This subfield will be set to zero at the beginning of the operation and set to the value returned by the parser at the end of the operation. This subfield is relevant only in a module that has an XML-SAX operation. SAX event-handling procedures receive the information from the parser as parameters.



The event-handling procedure will not be called if an exception occurs before parsing begins. For example, if the specified file is not found, the operation will end immediately with status 00354 and the event-handling procedure will never get control.

If an error occurs during parsing, the handling procedure will be called with a \*XML\_EXCEPTION event, and when the handling procedure returns, parsing will end and the XML-SAX operation will fail with status code 00351. The return code from the parser will be placed in the "External return code" subfield in positions 368 - 371 of the PSDS.

If an unknown, invalid or unrelated option is found in the %XML options string, XML-SAX will fail with status code 00352. The External return code subfield in positions 368 - 371 of the PSDS will not be updated from the initial value of zero, set when the operation begins.

## %XML options for the XML-SAX operation code

### doc (default *string*)

The *doc* option indicates what the source operand of %XML contains.

- *string* indicates that the source operand contains XML data
- *file* indicates that the source operand contains an IFS file name

```
// In the following example, the first parameter
// of %XML is the name of a file. Option
// "doc=file" must be specified.
ifsfile = 'myfile.xml';
opt = 'doc=file';
XML-SAX %handler(hdlr:comm) %XML(ifsfile : opt);

// In the following example, the first parameter
// of %XML is an XML document. Since the "doc"
// option defaults to "string", no options are
// necessary.
xmldata = '<data><num>3</num></data>';
XML-SAX %handler(hdlr:comm) %XML(xmldata);
```

Figure 385. Example of the *doc* option:

### ccsid (default *job*)

The *ccsid* option specifies the CCSID that the XML data should be returned in.

- *job* indicates that the XML parser should return data in the job CCSID. This is the CCSID that the RPG compiler uses for character data in the program.
- *ucs2* indicates that the XML parser should return data in the UCS-2 CCSID of the module.
- *numeric value* indicates that the XML parser should return the data in the specified CCSID. In this case, it is up to the RPG programmer to ensure that the data is handled correctly within the RPG program. The RPG compiler will assume that character data is in the job CCSID.

## XML-SAX (Parse an XML Document)

```
// In the following example, the data is to be
// returned in the job ccsid. Even though the
// default for the "ccsid" option is "job", it
// is valid to specify it explicitly.
XML-SAX %handler(hdlr:comm) %XML(xmlString : 'ccsid=job');

// In the following example, the data is to be
// returned in UCS-2.
opt = 'ccsid=ucs2';
XML-SAX %handler(hdlr:comm) %XML(xmldata : opt);

// In the following example, the data is to be
// returned in UTF-8. The handling procedure must
// exercise caution to convert the data to some CCSID
// that the program can handle, if the data is to be
// used within the handling procedure.
XML-SAX %handler(hdlr:comm) %XML(xmldata : 'ccsid=1208');
```

Figure 386. Example of the *ccsid* option:

**Note:** For \*XML\_UCS2\_REF and \*XML\_ATTR\_UCS2\_REF events, the data is always returned as a UCS-2 value independent of the *ccsid* option.

## XML-SAX event-handling procedure

The event-handling procedure is a user-written prototyped procedure. It must have the following return type and parameters:

Parameter number or return value	Data type and passing mode	Description
Return value	4-byte integer (10I 0)	Returning a value of zero indicates that parsing should continue; returning any other value indicates that parsing should end.
1 – Communication area	Any type, passed by reference	Used to communicate between the XML-SAX operation and the handler, and between successive calls to the handler.
2 – Event	4-byte integer (10I 0), passed by value	The XML event discovered by the parser. Special words such as *XML_START_ELEMENT can be used to identify the events within the handling procedure. See “XML events” on page 837.
3 – Data	Pointer (*), passed by value	If this parameter is not relevant to the event, it will have a value of *NULL. Otherwise, it will point to the data for the event. For the *XML_UCS2_REF, and *XML_ATTR_UCS2_REF events, the data will always be UCS-2 data. For all other events, the data will be in the CCSID specified by the “ccsid” option of the %XML built-in function.

Parameter number or return value	Data type and passing mode	Description
4 – Length	8-byte integer (20I 0), passed by value	For most events, this is the length of the data pointed to by the third parameter, in bytes. If this parameter is not relevant for a particular event, it will have the value -1. If the data is being returned in UCS-2 due to the "ccsid" option of the %XML built-in function, this value must be divided by two to obtain the number of UCS-2 characters.  For the *XML_EXCEPTION event, this parameter will have the length of the document that was parsed when the error occurred.
5 – Exception ID	4-byte integer (10I 0), passed by value	The exception ID. For all events other than *XML_EXCEPTION, this parameter will have a value of zero. See the section on XML return codes in the <i>WebSphere Development Studio: ILE RPG Programmer's Guide</i> .

See “%HANDLER (handlingProcedure : communicationArea )” on page 500 for more information on %HANDLER.

```

D saxHandler pr 10i 0
D commArea 1 1 i keds(myCommArea)
D event 10i 0 value
D string * value
D stringlen 20i 0 value
D exceptionId 10i 0 value

```

Figure 387. Sample prototype for an XML-SAX handling procedure

## XML events

During the SAX parse of your XML document, several XML events will be passed to your XML-SAX handling procedure. To identify the events within your procedure, use the special names starting with \*XML, for example \*XML\_START\_ELEMENT.

For most events, the handling procedure will be passed a value associated with the event. For example, for the \*XML\_START\_ELEMENT event, the value is the name of the XML element.

## XML-SAX (Parse an XML Document)

Table 76. XML events

Event	Value
1. Events discovered before the first XML element	
*XML_START_DOCUMENT	Indicates that parsing has begun
*XML_VERSION_INFO	The "version" value from the XML declaration
*XML_ENCODING_DECL	The "encoding" value from the XML declaration
*XML_STANDALONE_DECL	The "standalone" value from the XML declaration
*XML_DOCTYPE_DECL	The value of the Document Type Declaration
2. Events related to XML elements	
*XML_START_ELEMENT	The name of the XML element that is starting
*XML_CHARS	The value of the XML element
*XML_PREDEF_REF	The value of a predefined reference
*XML_UCS2_REF	The value of a UCS-2 reference
*XML_UNKNOWN_REF	The name of an unknown entity reference
*XML_END_ELEMENT	The name of the XML element that is ending
3. Events related to XML attributes	
*XML_ATTR_NAME	The name of the attribute
*XML_ATTR_CHARS	The value of the attribute
*XML_ATTR_PREDEF_REF	The value of a predefined reference
*XML_ATTR_UCS2_REF	The value of a UCS-2 reference
*XML_UNKNOWN_ATTR_REF	The name of an unknown entity reference
*XML_END_ATTR	Indicates the end of the attribute
4. Events related to XML processing instructions	
*XML_PI_TARGET	The name of the target
*XML_PI_DATA	The value of the data
5. Events related to XML CDATA sections	
*XML_START_CDATA	The beginning of the CDATA section
*XML_CHARS	The value of the CDATA section
*XML_END_CDATA	The end of the CDATA section
6. Other events	
*XML_COMMENT	The value of the XML comment
*XML_EXCEPTION	Indicates that the parser discovered an error
*XML_END_DOCUMENT	Indicates that parsing has ended

This sample XML document is referred to in the descriptions of the XML events.

```

<?xml version="1.0" encoding="ibm-1140" standalone="yes" ?>
<!DOCTYPE page [
 <!ENTITY abc "ABC Inc">
]>
<!-- This document is just an example -->
<sandwich>
 <bread type="baker's best" supplier="&abc;" />
 <?spread please use real mayonnaise ?>
 <spices attr="+">Salt & pepper</spices>
 <filling>Cheese, lettuce,
 tomato, = &xyz;
 </filling>
 <![CDATA[We should add a <relish> element in future!]]>
</sandwich>junk

```

Figure 388. Sample XML document referred to in the descriptions of the XML events

#### \*XML\_START\_DOCUMENT

This event occurs once, at the beginning of parsing the document. Only the first two parameters are relevant for this event. Accessing the String parameter will cause a pointer-not-set error to occur.

#### \*XML\_VERSION\_INFO

This event occurs if the XML declaration contains version information. The value of the string parameter is the version value from the XML declaration.

##### From the example:

'1.0'

#### \*XML\_ENCODING\_DECL

This event occurs if the XML declaration contains encoding information. The value of the string parameter is the encoding value from the XML declaration.

##### From the example:

'ibm-1140'

#### \*XML\_STANDALONE\_DECL

This event occurs if the XML declaration contains standalone information. The value of the string parameter is the standalone value from the XML declaration.

##### From the example:

'yes'

#### \*XML\_DOCTYPE\_DECL

This event occurs if the XML declaration contains a DTD (Document Type Declaration). Document type declarations begin with the character sequence '<!DOCTYPE' and end with a '>' character.

**Note:** This is the only event where the XML text includes the delimiters.

The value of the string parameter is the entire DOCTYPE value, including the opening and closing character sequences.

##### From the example

'<!DOCTYPE page [LF <!ENTITY abc "ABC Inc">LF]>'

(LF represents the LINE FEED character.)

## XML-SAX (Parse an XML Document)

### \*XML\_START\_ELEMENT

This event occurs once for each element tag or empty element tag. The value of the string parameter is the element name.

**From the example, in the order they appear:**

1. 'sandwich'
2. 'bread'
3. 'spices'
4. 'filling'

### \*XML\_CHARS

This event occurs for each fragment of content. Content normally consists of a single string, even if the text is on multiple lines. It is split into multiple events if it contains references. The value of the string parameter is the fragment of the content.

**From the example:**

1. 'Salt '
2. ' pepper'
3. 'Cheese, lettuce,WWWtomato, ', where WWW represents several "whitespace" characters. See the "Notes" section.
4. 'We should add a <relish> element in future!'

#### Notes:

1. The content fragment '&#0061;' causes a \*XML\_PREDEF\_REF event, and the fragment '&#0061;' causes a \*XML\_UCS2\_REF event.
2. If the value spans multiple lines of the XML document, it will contain end-of-line characters and it will possibly contain unwanted series of blanks. In the example, "lettuce," and "tomato" are separated by a line-feed character and several blanks. These characters are called *whitespace*; whitespace is ignored if it appears between XML elements, but it is considered to be data if it appears within an element. If it is possible that the XML data may contain unwanted whitespace, the data may need to be trimmed before use. To trim unwanted leading and trailing whitespace, use the following coding. See example Figure 392 on page 849.

```
* x'15'=newline x'05'=tab x'0D'=carriage-return
* x'25'=linefeed x'40'=blank
D whitespaceChr C x'15050D2540'
/free
temp = %trim(value : whitespaceChr);
```

### \*XML\_PREDEF\_REF

This event occurs when content has one of the predefined single-character references '&#0061;', '&#0062;', '&#0060;', '&#0061;', and '&#0062;'. The value of the string parameter is the single-byte character:

Table 77.

&#0061;	&
&#0062;	'
&#0060;	<
&#0061;	>
&#0062;	"

**Note:** The string is a UCS-2 character if the parsing is being done in UCS-2.

**From the example:**

'&', from the content for the "spices" element.

**\*XML\_UCS2\_REF**

This event occurs when content has a reference of the form '' or '', where 'd' and 'h' represent decimal and hexadecimal digits, respectively. The value of the string parameter is the UCS-2 value of reference.

**Note:** This parameter is a UCS-2 character (type C) even if the parsing is being done in single-byte character.

**From the example:**

The UCS-2 value '=,' appearing as "&#0061;," from the fragment at the end of the "filling" element,

**\*XML\_UNKNOWN\_REF**

This event occurs for an entity reference appearing in content, other than the five predefined entity references as shown for \*XML\_PREDEF\_REF above. The value of the string parameter is the name of the reference; the data that appears between the opening '&' and the closing ';'.

**From the example:**

'xyz'

**\*XML\_END\_ELEMENT**

This event occurs when the parser finds an element end tag or the closing angle bracket of an empty element. The value of the string parameter is the element name.

**From the example, in the order they occur:**

1. 'bread'
2. 'spices'
3. 'filling'
4. 'sandwich'

**\*XML\_ATTR\_NAME**

This event occurs once for each attribute in an element tag or empty element tag, after recognizing a valid name. The value of the string parameter is the attribute name.

**From the example, in the order they appear:**

1. 'type'
2. 'supplier'
3. 'attr'

**\*XML\_ATTR\_CHARS**

This event occurs for each fragment of an attribute value. An attribute value normally consists of a single string, even if the text is on multiple lines. It is split into multiple events if it contains references. The value of the string parameter is the fragment of the attribute value.

**From the example, in the order they appear:**

1. 'baker'
2. 's best'

## XML-SAX (Parse an XML Document)

### Notes:

1. The fragment '&apos;' causes a \*XML\_ATTR\_PREDEF\_REF event
2. See the discussion on "\*XML\_CHARS" on page 840 for recommendations for handling unwanted end-of-line characters and unwanted blanks.

### \*XML\_ATTR\_PREDEF\_REF

This event occurs when an attribute value has one of the predefined single-character references '&amp;', '&apos;', '&gt;', '&lt;', and '&quot;'. The value of the string parameter is the single-byte character:

Table 78.

&amp;	&
&apos;	'
&gt;	<
&lt;	>
&quot;	"

**Note:** The string is a UCS-2 character if the parsing is being done in UCS-2.

### From the example, the value for the "type" attribute:

' (The apostrophe character, "&apos;")

### \*XML\_ATTR\_UCS2\_REF

This event occurs when an attribute value has a reference of the form '&#dd..;' or '&#xhh..;', where 'd' and 'h' represent decimal and hexadecimal digits, respectively. The value of the string parameter is the UCS-2 value of the reference.

**Note:** This parameter is a UCS-2 character (type C) even if the parsing is being done in single-byte character.

### From the example, from the value of the "attr" attribute:

The UCS-2 value '+', appearing as "&#x2B;" in the document.

### \*XML\_UNKNOWN\_ATTR\_REF

This event occurs for an entity reference appearing in an attribute, other than the five predefined entity references as shown for \*XML\_ATTR\_PREDEF\_REF above. The value of the string parameter is the name of the reference; the data that appears between the opening '&' and the closing ';'.

### From the example:

'abc'

**Note:** The parser does not parse the DOCTYPE declaration, so even though entity "abc" is defined in the DOCTYPE declaration, it is considered undefined by the parser.

### \*XML\_END\_ATTR

This event occurs when the parser reaches the end of an attribute value. The string parameter is not relevant for this event. Accessing the string parameter will cause a pointer-not-set error to occur.

### From the example:

For the attribute type="baker&apos;s best", the \*XML\_END\_ATTR event occurs after all three parts of the attribute value ("baker", &apos; and "s best") have been handled.



**\*XML\_PI\_TARGET**

This event occurs when the parser recognizes the name following the processing instruction (PI) opening character sequence '<?'. Processing instructions allow XML documents to contain special instructions for applications. The value of the string parameter is the processing instruction name.

**From the example:**

'spread'

**\*XML\_PI\_DATA**

This event occurs for the data part of a processing instruction, up to but not including the PI closing character sequence '?>'. The value of the string parameter is the processing instruction data, including trailing but not leading white space.

**From the example:**

'please use real mayonnaise '

**Note:** See the discussion for *"\*XML\_CHARS"* on page 840 for recommendations for handling unwanted end-of-line characters and unwanted blanks.

**\*XML\_START\_CDATA**

This event occurs when a CDATA section begins. CDATA sections begin with the string '<![CDATA[' and end with the string ']]>'. Such sections are used to "escape" blocks of text containing characters that would otherwise be recognized as XML markup. The parser passes the content of a CDATA section between these delimiters as a single *\*XML\_CHARS* event. The value of the string parameter is always the opening character sequence '<![CDATA['.

**From the example:**

'<![CDATA['

**\*XML\_END\_CDATA**

This event occurs when a CDATA section ends. The value of the string parameter is always the closing character sequence ']]>'.

**From the example:**

']]>'

**\*XML\_COMMENT**

This event occurs for any comments in the XML document. The value of the string parameter is the data between the opening delimiter '<!--' and the closing delimiter '-->', including leading and trailing white space.

**From the example:**

' This document is just an example '

**\*XML\_EXCEPTION**

This event occurs when the parser detects an error. The value of the string parameter is the "String" parameter is not relevant for this event. Accessing the String parameter will cause a pointer-not-set error to occur. The value of the string-length parameter is the length of the document that was parsed up to and including the point where the exception occurred. The value of the Exception-Id parameter is the exception ID as assigned by the parser. The meaning of these exceptions is documented in the section on XML return codes in the *WebSphere Development Studio: ILE RPG Programmer's Guide*.

## XML-SAX (Parse an XML Document)

### From the example:

An exception event would occur when the parser encountered the word "junk", which is non-whitespace data appearing after the end of the XML document. (The XML document ends with the end-element tag for the "sandwich" element.)

### \*XML\_END\_DOCUMENT

This event occurs when parsing has completed. Only the first two parameters are relevant for this event. Accessing the String parameter will cause a pointer-not-set error to occur.

**Note:** To aid in debugging an XML-SAX handling procedure, the Control specification keyword `DEBUG(*XMLSAX)` can be specified. For more details on this keyword, see "DEBUG>(\*INPUT | \*DUMP | \*XMLSAX | \*NO | \*YES)" on page 252 and the Debugging chapter in the *WebSphere Development Studio: ILE RPG Programmer's Guide*. For more information about XML parsing, including limitations of the XML parser used by RPG, see the XML chapter in the *WebSphere Development Studio: ILE RPG Programmer's Guide*.

## Examples of the XML-SAX operation

```
D xmlString S C '<?xml version="1.0"> +
D <elem>data</elem>'
D psds DS
D xmlRc 10I 0 OVERLAY(psds:368)
/free
// The XML is in an IFS file. The "option" operand of %XML specifies
// that the document operand is the name of an IFS file.
XML-SAX %HANDLER(mySaxHandler : myHandlerInfo)
 %XML('/home/myuserid/myxml.xml' : 'doc=file');

// The XML is in a string. The "option" operand of %XML is not specified.
XML-SAX %HANDLER(mySaxHandler : myHandlerInfo) %XML(xmlString);
```

Figure 389. XML-SAX operations in Free-form calculations

```
CL0N01Factor1++++++0opcode&ExtExtended-Factor2++++++
C XML-SAX %HANDLER(mySaxHandler : myHandlerInfo)
C %XML('/home/myuserid/myxml.xml' : 'doc=file')

C XML-SAX %HANDLER(mySaxHandler : myHandlerInfo)
C %XML(xmlString)
```

Figure 390. XML-SAX operations in Fixed-form calculations

```

H DEBUG(*XMLSAX)
Fqsysprt o f 132 printer

* The xmlRc subfield will be set to a non-zero value
* if the XML-SAX operation fails because of an error
* discovered by the parser

D psds SDS
D xmlRc
[1] 10I 0 OVERLAY(psds:368)
D qsysprtDs DS 132

* This data structure defines the type for the parameter
* passed to the SAX handling procedure.
[2]
D value_t S 50A VARYING
D handlerInfo_t DS QUALIFIED
D BASED(dummy)
D pValue *
D numAttendees 5P 0
D name LIKE(value_t)
D company LIKE(value_t)
D alwExtraAttr 1N
D handlingAttrs...
D N

* Define a specific instance of the handlerInfo_t data
* structure and the prototype for the handler
D myHandlerInfo DS LIKEDS(handlerInfo_t)
D mySaxHandler PR 10I 0
D info LIKEDS(handlerInfo_t)
D event 10I 0 VALUE
D stringPtr * VALUE
D stringLen 20I 0 VALUE
D exceptionId 10I 0 VALUE

/free
monitor;
// Start XML parsing
// Indicate that the handler should not allow
// any unexpected attributes in the XML elements.
myHandlerInfo.alwExtraAttr = *OFF;

[3] XML-SAX %HANDLER(mySaxHandler : myHandlerInfo)
%XML('/home/myuserid/myxml.xml' : 'doc=file');
// The XML parse completed normally
// Results are passed back in the communication
// area specified by the %HANDLER built-in function
qsysprtDs = 'There are '
+ %CHAR(myHandlerInfo.numAttendees)
+ ' attendees.';
on-error 00351;
// The XML parse failed with a parser error.
// The return code from the parser is in the PSDS.

```

Figure 391. A complete working program, illustrating an XML-SAX handling procedure (Part 1 of 4)

## XML-SAX (Parse an XML Document)

```
 qsysprtDs = 'XML parser error: rc='
 + %CHAR(xmlRc)
 + '.';

 endmon;

 write qsysprt qsysprtDs;
 *inlr = '1';
/end-free

P mySaxHandler B
D PI 10I 0
D info VALUE LIKEDS(handlerInfo_t)
D event VALUE 10I 0
D stringPtr VALUE *
D stringLen VALUE 20I 0
D exceptionId VALUE 10I 0

D value VALUE LIKE(value_t)
D VALUE BASED(info.pValue)

D chars VALUE 65535A BASED(stringPtr)
D ucs2 VALUE 16383C BASED(stringPtr)
D ucs2Len VALUE 10I 0

/free

select;
```

Figure 391. A complete working program, illustrating an XML-SAX handling procedure (Part 2 of 4)

|

```

// start parsing
when event = *XML_START_DOCUMENT;
[4] clear info;

// start processing an attendee, by indicating
// that subsequent calls to this procedure should
// handle XML-attribute events.
when event = *XML_START_ELEMENT;
 if %subst(chars : 1 : stringLen) = 'attendee';
 info.handlingAttrs = *ON;
[5] info.name = '';
 info.company = '';
 info.numAttendees += 1;
 endif;

// display information about the attendee
when event = *XML_END_ELEMENT;
 if %subst(chars : 1 : stringLen) = 'attendee';
 info.handlingAttrs = *OFF;
 qsysprtDs = 'Attendee '
 + info.name
 + ' is from company '
 + info.company;
 write qsysprt qsysprtDs;
 endif;

// prepare to get an attribute value by setting
// a basing pointer to the address of the correct
// variable to receive the value
when event = *XML_ATTR_NAME;
 if info.handlingAttrs;
 if %subst(chars : 1 : stringLen) = 'name';
 info.pValue = %addr(info.name);
 elseif %subst(chars : 1 : stringLen) = 'company';
 info.pValue = %addr(info.company);
 else;
 // If the XML element is not expected to have
 // extra attributes, halt the parsing by
 // returning -1.
 if not info.alwExtraAttr;
 qsysprtDs = 'Unexpected attribute '
 + %subst(chars : 1 : stringLen)
 + ' found.';
 write qsysprt qsysprtDs;
 return -1;
[6] endif;
 info.pValue = *NULL;
 endif;
 endif;
endif;

```

Figure 391. A complete working program, illustrating an XML-SAX handling procedure (Part 3 of 4)

1

## XML-SAX (Parse an XML Document)

```
// handle an exception
when event = *XML_EXCEPTION;
 qsysprtDs = 'Exception '
 + %char(exceptionId)
 + ' occurred.';
 write qsysprt qsysprtDs;
 return exceptionId;

other;

// If this is an attribute we are interested
// in, the basing pointer for "value" has been
// set to point to either "name" or "company"

// Append each fragment of the value to the
// current data
if info.handlingAttrs
and info.pValue <> *NULL;
 if event = *XML_ATTR_CHARS
 or event = *XML_ATTR_PREDEF_REF;
 value += %subst(chars : 1 : stringLen);
 elseif event = *XML_ATTR_UCS2_REF;
 ucs2Len = stringLen / 2;

[7] value += %char(%subst(ucs2 : 1 : ucs2Len));
 endif;
 endif;
endsl;

return 0;
[8] /end-free
P mySaxHandler E
```

Figure 391. A complete working program, illustrating an XML-SAX handling procedure (Part 4 of 4)

This example illustrates several features of SAX parsing.

1. The "External Return Code" subfield of the PSDS, named xmlRc here.
2. The communication area data structure, used to communicate between the XML-SAX operation and the SAX event-handling procedure.
3. The XML-SAX operation initiates the parsing of the XML document.
4. The SAX event-handling procedure compares the event parameter to the special names \*XML\_START\_DOCUMENT etc.
5. The communication area is also used for the event-handling procedure to communicate with itself between calls.
6. The event-handling procedure discovers an error and halts the parsing by returning -1.
7. The \*XML\_ATTR\_UCS2\_REF event has UCS-2 data, independent of the CCSID that is normally used to return data for this XML-SAX operation. The length represents the number of bytes in the data, so it must be divided by two to obtain the number of UCS-2 characters.
8. If the event-handling procedure does not discover any errors, it returns 0, indicating that parsing should continue.

The following sample XML document could be used with this example.

```

<meeting>
 <attendee name="Jack" company="A&B Electronics"/>
 <attendee company="City+ Waterworks" name="Jill"/>
 <attendee name="Bill" company="Ace Movers" extra="yes"/>
</meeting>

```

```

// The following procedure returns a string that is the same
// as the input string except that strings of whitespace are
// converted to a single blank.
P rmvWhiteSpace b
D rmvWhiteSpace pi 65535a varying
D input 65535a varying const
D output s like(input) inz('')

* x'15'=newline x'05'=tab x'0D'=carriage-return
* x'25'=linefeed x'40'=blank
D whitespaceChr C x'15050D2540'
D c s 1A
D i s 10I 0
D inWhitespace s N INZ(*OFF)
/free
 // copy all non-whitespace characters to the return value
 for i = 1 to %len(input);
 c = %subst(input : i : 1);
 if %scan(c : whitespaceChr) > 0;
 // If this is a new set of whitespace, add one blank
 inWhitespace = *OFF;
 inWhitespace = *ON;
 output += ' ';
 endif;
 else;
 // Not handling whitespace now. Add character to output
 inWhitespace = *OFF;
 output += c;
 endif;
endfor;
return output;
/end-free
P rmvWhiteSpace e

```

Figure 392. Removing internal whitespace from XML data

For more information about XML operations, see “XML Operations” on page 437.

## Z-ADD (Zero and Add)

---

### Z-ADD (Zero and Add)

Free-Form Syntax	(not allowed - use the EVAL operation code)
------------------	---------------------------------------------

Code	Factor 1	Factor 2	Result Field	Indicators		
Z-ADD (H)		<u>Addend</u>	<u>Sum</u>	+	-	Z

Factor 2 is added to a field of zeros. The sum is placed in the result field. Factor 1 is not used. Factor 2 must be numeric and can contain one of: an array, array element, field, figurative constant, literal, named constant, subfield, or table name.

The result field must be numeric, and can contain one of: an array, array element, field, subfield, or table name.

Half-adjust can be specified.

For the rules for the Z-ADD operation, see "Arithmetic Operations" on page 398.

See Figure 152 on page 401 for an example of the Z-ADD operation.



---

## Z-SUB (Zero and Subtract)

Free-Form Syntax	(not allowed - use the EVAL operation code)
------------------	---------------------------------------------

Code	Factor 1	Factor 2	Result Field	Indicators		
Z-SUB (H)		<u>Subtrahend</u>	<u>Difference</u>	+	-	Z

Factor 2 is subtracted from a field of zeros. The difference, which is the negative of factor 2, is placed in the result field. You can use the operation to change the sign of a field. Factor 1 is not used. Factor 2 must be numeric and can contain one of the following: an array, array element, field, figurative constant, literal, named constant, subfield, or table name.

The result field must be numeric, and can contain one of the following: an array, array element, field, subfield, or table name.

Half-adjust can be specified.

For the rules for the Z-SUB operation, see “Arithmetic Operations” on page 398.

See Figure 152 on page 401 for an example of the Z-SUB operation.

## Z-SUB (Zero and Subtract)

---

## Part 5. Appendixes



## Appendix A. RPG IV Restrictions

Function	Restriction
Array/table input record length for compile time	Maximum length is 100
Character field length	Maximum length is 65535 bytes
Graphic or UCS-2 field length	Maximum length is 32766 bytes
Control fields (position 63 and 64 of input specifications) length	Maximum length is 256
Named data structure length	Maximum of 65535
Unnamed data structure length	Maximum of 9999999
Data structure occurrences (number of)	Maximum of 32767 per data structure
Edit Word	Maximum length of 115
Elements in an array/table (DIM keyword on the definition specifications)	Maximum of 32767 per array/table
Levels of nesting in structured groups	Maximum of 100
Levels of nesting in expressions	Maximum of 100
Look-ahead	Can be specified only once for a file. Can be specified only for primary and secondary files.
Named Constant or Literal	Maximum length of 1024 bytes for a character, hexadecimal, graphic, or UCS-2 literal and 63 digits with 63 decimal positions for a numeric literal.
Overflow indicator	Only 1 unique overflow indicator can be specified per printer file.
Parameters to programs	Maximum of 255
Parameters to procedures	Maximum of 399
Primary file (P in position 18 of file description specifications)	Maximum of 1 per program
Printer file (PRINTER in positions 36 through 42 of file description specifications)	Maximum of 8 per program.
Printing lines per page	Minimum of 2; maximum of 255
Program status data structure	Only 1 allowed per program.
Record address file (R in position 18 of file description specifications)	Only 1 allowed per program.
Record length for a file	Maximum length is 99999 <sup>1</sup>
Structured groups (see levels of nesting)	
Storage allocation	Maximum length is 16776704 <sup>2</sup>
Symbolic names	Maximum length is 4096
<b>Notes:</b>	
1. Any device record size restraints override this value.	
2. The practical maximum is normally much less.	



## Appendix B. EBCDIC Collating Sequence

Table 79. EBCDIC Collating Sequence

Ordinal Number	Symbol	Meaning	Decimal Representation	Hex Representation
65	b	Space	64	40
.				
.				
.				
75	¢	Cent sign	74	4A
76	.	Period, decimal point	75	4B
77	<	Less than sign	76	4C
78	(	Left parenthesis	77	4D
79	+	Plus sign	78	4E
80		Vertical bar, Logical OR	79	4F
81	&	Ampersand	80	50
.				
.				
.				
91	!	Exclamation point	90	5A
92	\$	Dollar sign	91	5B
93	*	Asterisk	92	5C
94	)	Right parenthesis	93	5D
95	;	Semicolon	94	5E
96	¬	Logical NOT	95	5F
97	-	Minus, hyphen	96	60
98	/	Slash	97	61
.				
.				
.				
107	‖	Split vertical bar	106	6A
108	,	Comma	107	6B
109	%	Percent sign	108	6C
110	_	Underscore	109	6D
111	>	Greater than sign	110	6E
112	?	Question mark	111	6F
.				
.				
.				
122	`	Accent grave	121	79
123	:	Colon	122	7A
124	#	Number sign, pound sign	123	7B
125	@	At sign	124	7C

Table 79. EBCDIC Collating Sequence (continued)

Ordinal Number	Symbol	Meaning	Decimal Representation	Hex Representation
126	'	Apostrophe, prime sign	125	7D
127	=	Equal sign	126	7E
128	"	Quotation marks	127	7F
	.			
	.			
	.			
130	a		129	81
131	b		130	82
132	c		131	83
133	d		132	84
134	e		133	85
135	f		134	86
136	g		135	87
137	h		136	88
138	i		137	89
	.			
	.			
	.			
146	j		145	91
147	k		146	92
148	l		147	93
149	m		148	94
150	n		149	95
151	o		150	96
152	p		151	97
153	q		152	98
154	r		153	99
	.			
	.			
	.			
162	~	Tilde	161	A1
163	s		162	A2
164	t		163	A3
165	u		164	A4
166	v		165	A5
167	w		166	A6
168	x		167	A7
169	y		168	A8
170	z		169	A9



Table 79. EBCDIC Collating Sequence (continued)

Ordinal Number	Symbol	Meaning	Decimal Representation	Hex Representation
.				
.				
.				
193	{	Left brace	192	C0
194	A		193	C1
195	B		194	C2
196	C		195	C3
197	D		196	C4
198	E		197	C5
199	F		198	C6
200	G		199	C7
201	H		200	C8
202	I		201	C9
.				
.				
.				
209	}	Right brace	208	D0
210	J		209	D1
211	K		210	D2
212	L		211	D3
213	M		212	D4
214	N		213	D5
215	O		214	D6
216	P		215	D7
217	Q		216	D8
218	R		217	D9
.				
.				
.				
225	\	Left slash	224	E0
.				
.				
.				
227	S		226	E2
228	T		227	E3
229	U		228	E4
230	V		229	E5
231	W		230	E6
232	X		231	E7
233	Y		232	E8
234	Z		233	E9

Table 79. EBCDIC Collating Sequence (continued)

Ordinal Number	Symbol	Meaning	Decimal Representation	Hex Representation
.				
241	0		240	F0
242	1		241	F1
243	2		242	F2
244	3		243	F3
245	4		244	F4
246	5		245	F5
247	6		246	F6
248	7		247	F7
249	8		248	F8
250	9		249	F9
<p><b>Note:</b> These symbols may not be the same for all codepages. Codepages may map different hexadecimal values to different symbols for various languages. For more information, see the iSeries Information Center globalization topic.</p>				

---

## Bibliography

For additional information about topics related to ILE RPG programming, refer to the following publications:

- *CL Programming*, SC41-5721-06, provides a wide-ranging discussion of programming topics including a general discussion on objects and libraries, CL programming, controlling flow and communicating between programs, working with objects in CL programs, and creating CL programs. Other topics include predefined and impromptu messages and message handling, defining and creating user-defined commands and menus, application testing, including debug mode, breakpoints, traces, and display functions.

See the iSeries Information Center programming category (URL

<http://www.ibm.com/eserver/iseres/infocenter>) for a description of the i5/OScontrol language (CL) and its commands.

- *Communications Management*, SC41-5406-02, provides information about work management in a communications environment, communications status, tracing and diagnosing communications problems, error handling and recovery, performance, and specific line speed and subsystem storage information.

See the iSeries Information Center database and file systems category for related database programming topics such as, using files in application programs, database organization, data description specifications (DDS) and DDS keywords, distributed data management (DDM), and application programming interfaces.

- *Experience RPG IV Multimedia Tutorial*, GK2T-9882-00 is an interactive self-study program explaining the differences between RPG III and RPG IV and how to work within the new ILE environment. An accompanying workbook provides additional exercises and doubles as a reference upon completion of the tutorial. ILE RPG code examples are shipped with the tutorial and run directly on the operating system.
- *ILE Concepts*, SC41-5606-07, explains concepts and terminology pertaining to the Integrated Language Environment (ILE) architecture. Topics covered include creating modules, binding, running programs, debugging programs, and handling exceptions.
- *WebSphere Development Studio: ILE RPG Programmer's Guide*, SC09-2507-06, provides information about the ILE RPG programming language, which is an implementation of the RPG IV language in the Integrated Language Environment (ILE). It includes information on creating and running programs, with considerations for procedure calls and interlanguage programming. The guide also covers debugging and exception handling and explains how to use files and devices in RPG programs. Appendixes include information on migration to RPG IV and sample compiler listings. It is intended for people with a basic understanding of data processing concepts and of the RPG language.
- *Who Knew You Could Do That with RPG IV? A Sorcerer's Guide to System Access and More*, SG24-5402 provides hints and tips for system programmers who want to take full advantage of RPG IV and the Integrated Language Environment (ILE).

| You can obtain current System i5 and iSeries information and publications from the **iSeries Information Center** at the following Web site:

| <http://www.ibm.com/eserver/iseres/infocenter>

| For the PDF version of iSeries publications, refer to the CD ROM *iSeries Information Center: Supplemental Manuals*, SK3T-4092-01.



---

## Notices

This information was developed for products and services offered in the U.S.A. IBM may not offer the products, services, or features discussed in this document in other countries. Consult your local IBM representative for information on the products and services currently available in your area. Any reference to an IBM product, program, or service is not intended to state or imply that only that IBM product, program, or service may be used. Any functionally equivalent product, program, or service that does not infringe any IBM intellectual property right may be used instead. However, it is the user's responsibility to evaluate and verify the operation of any non-IBM product, program, or service.

IBM may have patents or pending patent applications covering subject matter described in this document. The furnishing of this document does not give you any license to these patents. You can send license inquiries, in writing, to:

IBM Director of Licensing  
IBM Corporation  
North Castle Drive  
Armonk, NY 10504-1785  
U.S.A.

For license inquiries regarding double-byte (DBCS) information, contact the IBM Intellectual Property Department in your country or send inquiries, in writing, to:

IBM World Trade Asia Corporation  
Licensing  
2-31 Roppongi 3-chome, Minato-ku  
Tokyo 106, Japan

**The following paragraph does not apply to the United Kingdom or any other country where such provisions are inconsistent with local law:**

INTERNATIONAL BUSINESS MACHINES CORPORATION PROVIDES THIS PUBLICATION "AS IS" WITHOUT WARRANTY OF ANY KIND, EITHER EXPRESS OR IMPLIED, INCLUDING, BUT NOT LIMITED TO, THE IMPLIED WARRANTIES OF NON-INFRINGEMENT, MERCHANTABILITY OR FITNESS FOR A PARTICULAR PURPOSE. Some states do not allow disclaimer of express or implied warranties in certain transactions, therefore, this statement may not apply to you.

This information could include technical inaccuracies or typographical errors. Changes are periodically made to the information herein; these changes will be incorporated in new editions of the publication. IBM may make improvements and/or changes in the product(s) and/or the program(s) described in this publication at any time without notice.

Any references in this information to non-IBM Web sites are provided for convenience only and do not in any manner serve as an endorsement of those Web sites. The materials at those Web sites are not part of the materials for this IBM product and use of those Web sites is at your own risk.

IBM may use or distribute any of the information you supply in any way it believes appropriate without incurring any obligation to you.

Licensees of this program who wish to have information about it for the purpose of enabling: (i) the exchange of information between independently created programs and other programs (including this one) and (ii) the mutual use of the information which has been exchanged, should contact:

IBM Canada Ltd. Laboratory  
Information Development  
8200 Warden Avenue  
Markham, Ontario L6G 1C7  
Canada

Such information may be available, subject to appropriate terms and conditions, including in some cases, payment of a fee.

The licensed program described in this information and all licensed material available for it are provided by IBM under terms of the IBM Customer Agreement, IBM International Program License Agreement, or any equivalent agreement between us.

This information contains examples of data and reports used in daily business operations. To illustrate them as completely as possible, the examples include the names of individuals, companies, brands, and products. All of these names are fictitious and any similarity to the names and addresses used by an actual business enterprise is entirely coincidental.

#### COPYRIGHT LICENSE:

This information contains sample application programs in source language, which illustrates programming techniques on various operating platforms. You may copy, modify, and distribute these sample programs in any form without payment to IBM, for the purposes of developing, using, marketing or distributing application programs conforming to the application programming interface for the operating platform for which the sample programs are written. These examples have not been thoroughly tested under all conditions. IBM, therefore, cannot guarantee or imply reliability, serviceability, or function of these programs. You may copy, modify, and distribute these sample programs in any form without payment to IBM for the purposes of developing, using, marketing, or distributing application programs conforming to IBM's application programming interfaces.

---

## Programming Interface Information

This publication is intended to help you create programs using RPG IV source. This publication documents General-Use Programming Interface and Associated Guidance Information provided by the ILE RPG compiler.

General-Use programming interfaces allow the customer to write programs that obtain the services of the ILE RPG compiler.

---

## Trademarks and Service Marks

The following terms are trademarks of the International Business Machines Corporation in the United States or other countries or both:

e (logo) <sup>®</sup>	OS/400 <sup>®</sup>
@server	Redbooks
IBM <sup>®</sup>	RPG/400 <sup>®</sup>
IBMLink	SP1 <sup>®</sup>

iSeries  
Language Environment®  
Operating System/400®

System/36  
VisualAge®  
WebSphere®

Domino is a trademark of the Lotus Development Corporation in the United States, or other countries, or both.

Java and all Java-based trademarks are trademarks of Sun Microsystems, Inc. in the United States, other countries, or both.

UNIX is a registered trademark of The Open Group in the United States and other countries.

Other company, product, and service names may be the trademarks or service marks of others.





# Index

## Special characters

- / (division) 444
- /COPY statement
  - inserting records during compilation 12
  - recognizing a compiler 13
- /DEFINE 15
- /EJECT 11
- /ELSE 18
- /ELSEIF condition-expression 17
- /END-FREE 11
- /ENDIF 18
- /EOF 19
- /FREE 11
- /IF condition-expression 17
- /INCLUDE statement 12
- /SPACE 12
- /TITLE 11
- /UNDEFINE 15
- \$ (fixed or floating currency symbol)
  - in body of edit word 228
  - use in edit word 228
  - with combination edit codes 219
- \* (asterisk)
  - in body of edit word 228
  - with combination edit codes 219
- \* (multiplication) 444
- \* (pointer data type entry) 296
- \*\* (double asterisk)
  - alternate collating sequence table 185
  - arrays and tables 155
  - file translation table 111
  - for program described files 342
  - lookahead fields 342
- \*ALL 379
- \*ALL'x..' 126
- \*ALLG'oK1K2i' 126
- \*ALLU'XxxxYyyy' 126
- \*ALLX'x1..' 126
- \*BLANK/\*BLANKS 126
- \*CANCL 24, 80
- \*CYMD, \*CMDY, and \*CDMY date formats
  - description 196
  - with MOVE operation 425, 676, 697
  - with MOVEL operation 425
  - with TEST operation 781
- \*DATE 8
- \*DAY 8
- \*DETC
  - file exception/error subroutine (INFSR) 80
  - flowchart 24
  - program exception/errors 83
- \*DETL
  - file exception/error subroutine (INFSR) 80
  - flowchart 22
  - program exception/errors 83
- \*DTAARA DEFINE 609
- \*END 764
- \*ENTRY PLIST 724
- \*EQUATE 113
- \*EXT 622
- \*EXTDFT
  - initialization, externally described data 311
- \*FILEbb 112
- \*GETIN
  - file exception/error subroutine (INFSR) 80
  - flowchart 22
  - program exception/errors 83
- \*HIVAL 126
- \*IN 60
- \*IN(xx) 60
- \*INIT 83
- \*INxx 60
- \*INZSR 28
- \*JOB
  - initialization, date fields 312
  - language identifier, LANGID 258
  - sort sequence, SRTSEQ 261
- \*JOBRUN
  - date format example 677
  - date format, DATFMT 196
  - date separator, DATSEP 196
  - decimal format, DECfmt 253
  - language identifier, LANGID 185, 258
  - sort sequence, SRTSEQ 155, 261
  - time separator, TIMSEP 199
- \*LDA 609
- \*LIKE DEFINE 607
- \*LONGJUL date format
  - description 196
  - with MOVE operation 425, 676, 697
  - with MOVEL operation 425
  - with TEST operation 781
- \*LOVAL 126
- \*M 622
- \*MONTH 8
- \*NOIND 282
- \*NOKEY (with CLEAR operation) 598
- \*NOKEY (with RESET operation) 744
- \*NULL 126, 202
- \*OFL
  - file exception/error subroutine (INFSR) 80
  - flowchart 24
  - program exception/errors 83
- \*ON/\*OFF 126
- \*PDA 609
- \*PLACE 372
- \*PSSR 91
- \*ROUTINE 408
- \*START 764
- \*SYS
  - initialization 312
  - initialization, date field 197
  - initialization, time field 199
  - initialization, timestamp field 200
- \*TERM 83
- \*TOTC
  - flowchart 24
  - program exception/errors 80
- \*TOTL
  - file exception/error subroutine (INFSR) 80
  - flowchart 24
  - program exception/errors 83
- \*USER
  - initialization, character fields 312
  - with USRPRF keyword 263
- \*VAR data attribute
  - output specification 346, 376
- \*YEAR 8
- \*ZERO/\*ZEROS 126
- (unary operator) 444
- %ABS (Absolute Value of Expression) 455
- %ADDR (Get Address of Variable)
  - data types supported 445
  - description 456
  - example 456
- %ALLOC (Allocate Storage) 458
- %BITAND (Bitwise AND Operation) 459
- %BITNOT (Invert Bits) 460
- %BITOR (Bitwise OR Operation) 461
- %BITXOR (Bitwise Exclusive-OR Operation) 462
- %CHAR (Convert to Character Data) 466
- %CHECK (Check Characters) 468
- %CHECKR (Check Reverse) 470
- %DATE (Convert to Date) 472
- %DAYS (Number of Days) 473
- %DEC (Convert to Packed Decimal Format) 474
- %DECH (Convert to Packed Decimal Format with Half Adjust) 476
- %DECPOS (Get Number of Decimal Positions)
  - description 478
  - example 478, 508
- %DIFF (Difference Between Two Date or Time Values) 479
- %DIV (Return Integer Portion of Quotient) 482
- %EDITC (Edit Value Using an Editcode) 483
- %EDITFLT (Convert to Float External Representation) 486
- %EDITW (Edit Value Using an Editword) 487
- %ELEM (Get Number of Elements) 445, 488
- %EOF (Return End or Beginning of File Condition) 489
- %EQUAL (Return Exact Match Condition) 491
- %ERROR (Return Error Condition) 493
- %FIELDS (Fields to update) 494

%FLOAT (Convert to Floating Format) 495  
 %FOUND (Return Found Condition) 496  
 %GRAPH (Convert to Graphic Value) 498  
 %HANDLER (handlingProcedure : communicationArea ) built-in function 437, 500  
 %HOURS (Number of Hours) 504  
 %INT (Convert to Integer Format) 505  
 %INTH (Convert to Integer Format with Half Adjust) 505  
 %KDS (Search Arguments in Data Structure) 507  
 %LEN (Get Length) 508  
 %LOOKUPxx (Look Up an Array Element) 511  
 %MINUTES (Number of Minutes) 513  
 %MONTHS (Number of Months) 514  
 %MSECONDS (Number of Microseconds) 515  
 %NULLIND (Query or Set Null Indicator) 516  
 %OCCUR (Set/Get Occurrence of a Data Structure) 517  
 %OPEN (Return File Open Condition) 518  
 %PADDR (Get Procedure Address) 445, 519  
 %PARMS (Return Number of Parameters) 521  
 %REALLOC (Reallocate Storage) 523  
 %REM (Return Integer Remainder) 524  
 %REPLACE (Replace Character String) 525  
 %SCAN (Scan for Characters) 527  
 %SECONDS (Number of Seconds) 529  
 %SHTDN (Shut Down) 530  
 %SIZE (Get Size in Bytes) 445, 531  
 %SQRT (Square Root of Expression) 533  
 %STATUS (Return File or Program Status) 534  
 %STR (Get or Store Null-Terminated String) 537  
 %SUBARR (Set/Get Portion of an Array) 402, 539  
 %SUBBDT (Subset of Date or Time) 542  
 %SUBST (Get Substring)  
   data types supported 445  
   description 543  
   example 544  
   use with EVAL 543  
 %THIS (Return Class Instance for Native Method) 545  
 %TIME (Convert to Time) 546  
 %TIMESTAMP (Convert to Timestamp) 547  
 %TLOOKUPxx (Look Up a Table Element) 548  
 %TRIM (Trim Blanks at Edges) 445, 550  
 %TRIML (Trim Leading Blanks) 445, 552  
 %TRIMR (Trim Trailing Blanks) 445, 553  
 %UCS2 (Convert to UCS-2 Value) 554  
 %UNS (Convert to Unsigned Format) 555

%UNSH (Convert to Unsigned Format with Half Adjust) 555  
 %XFOOT (Sum Array Expression Elements) 557  
 %XLATE (Translate) 558  
 %XML (xmlDocument [:options]) built-in function 437, 559  
 %XML options for the XML-INTO operation code 808  
 %XML options for the XML-SAX operation code 835  
 %YEARS (Number of Years) 561  
 > (greater than) 444  
 >= (greater than or equal) 444  
 < (less than) 444  
 <> (not equal) 444  
 <= (less than or equal) 444  
 & (ampersand)  
   in body of edit word 230  
   in status of edit word 227  
   use in edit word 227, 230  
 + (unary operator) 444  
 = (equal) 444

## Numerics

1P (first page) indicator  
 conditioning output 369, 372  
 general description 48  
 restrictions 48  
 setting 63  
 with initialization subroutine (\*INZSR) 28

**A**  
 absolute notation 131, 295  
 absolute value 455  
 ACQ (acquire) operation code 416, 564  
 ACTGRP keyword 247  
 ACTGRP parameter  
   specifying on control specifications 247  
 ADD operation code 398, 565  
 add records  
   file description specifications entry (A) 269  
   output specification entry (ADD) 367  
 ADDDUR (add duration) operation code  
   adding dates 412, 566  
   general discussion 412  
   unexpected results 414  
 adding date-time durations 412, 566  
 adding factors 565, 566  
 address  
   of based variable 456  
   of procedure pointer 519  
 ALIGN keyword  
   aligning subfields 131  
   description 298  
   float fields 188  
   integer fields 189  
   unsigned fields 191  
 alignment  
   of basing pointers 202  
   of integer fields 191

alignment of forms 257  
 ALLOC (allocate storage) operation code 420, 568  
 allocate storage (ALLOC) operation code 568  
 allocating storage 458, 568  
 allocation built-in functions  
   %ALLOC (Allocate Storage) 458  
   %REALLOC (Reallocate Storage) 523  
 ALT keyword 298  
 altering overflow logic 29  
 alternate collating sequence  
   changing collating sequence 185  
   coding form 184  
   control specification entry 184  
   control specification keyword  
     ALTSEQ 298  
   control-specification keyword  
     ALTSEQ 247  
   definition specification keyword  
     ALTSEQ 184  
   input record format 185  
   operations affected 184  
 alternating format (arrays and tables)  
   definition specification keyword  
     ALT 298  
   example 159  
 ALTSEQ keyword  
   \*\*ALTSEQ 154, 185  
   changing collating sequence 184  
   control-specification description 247  
   definition specification  
     description 298  
     specifying in source 185  
 ALWNULL keyword 247  
 ALWNULL parameter  
   specifying on control specifications 247  
 ampersand (&)  
   in body of edit word 230  
   in status of edit word 227  
   use in edit word 227, 230  
 AND relationship  
   calculation specifications 357  
   input specifications 345  
   output specifications 366, 377  
     conditioning indicators 369  
 ANDxx operation code 408, 431, 569  
 apostrophe  
   use with edit word 231  
   use with output constant 376  
 application programming interface (API)  
   parsing system built-in names 408  
 arithmetic built-in functions  
   %ABS (Absolute Value of Expression) 455  
   %DIV (Return Integer Portion of Quotient) 482  
   %REM (Return Integer Remainder) 524  
   %SQRT (Square Root of Expression) 533  
   %XFOOT (Sum Array Expression Elements) 557  
 arithmetic operation codes  
   ADD 398, 565  
   DIV (divide) 398, 613

- arithmetic operation codes (*continued*)
  - ensuring accuracy 399
  - general information 398
  - integer arithmetic 399
  - MULT (multiply) 398, 707
  - MVR (move remainder) 398, 708
  - performance considerations 399
  - SQRT (square root) 398, 772
  - SUB (subtract) 398, 773
  - XFOOT (summing the elements of an array) 398, 801
  - Z-ADD (zero and add) 398, 850
  - Z-SUB (zero and subtract) 398, 851
- array
  - %XFOOT built-in 557
  - alternating
    - definition 159
    - examples 159
  - binary format 186
  - combined array file 154, 267
  - compile-time
    - arrangement in source program 157
    - definition of 154
  - creating input records 154
  - definition 151
  - differences from table 151
  - dynamically-allocated arrays 165
  - editing 164
  - elements 151
  - end position 374
  - even number of digits 331
  - file
    - description of 268
    - file description specifications entry 268
    - file name (when required on file description specifications) 266
    - float format 187
    - initialization of 158
    - loading
      - compile-time 154
      - from more than one record 153
      - from one record 153
      - LOOKUP operation code 667
      - prerun-time 157
      - run-time 152
    - lookup 511
    - moving (MOVEA operation code) 690
    - name
      - in compare operation codes 409
      - output specifications 372
      - rules for 156
    - number of elements 302, 488
    - order in source program 157
    - output 164
    - packed format 189
    - prerun-time arrays 154
      - rules for loading 157
    - referring to in calculations 162
    - run-time
      - definition of 152
      - rules for loading 152
      - Using dynamically-sized arrays 165
      - with consecutive elements 154
- array (*continued*)
  - run-time (*continued*)
    - with scattered elements 153
    - searching with an index 161
    - searching without an index 160
    - size of 531
    - square root (SQRT) operation code 772
    - summing elements of (XFOOT) operation code 801
    - to file name 286
    - types 151
    - Using dynamically-sized arrays 165
    - Using partial arrays 539
    - XFOOT operation code 801
  - array operations 402
    - %SUBARR (Set/Get Portion of an Array) 402, 539
    - general information 402
    - LOOKUP (look up) 402, 667
    - MOVEA (move array) 402, 690
    - SORTA (sort an array) 402, 770
    - XFOOT (summing the elements of an array) 402, 801
  - ASCEND keyword 299
  - ascending sequence
    - definition specification keyword ASCEND 299
    - file description specifications entry 270
  - assigning match field values (M1-M9) 104
  - Assignment 442
    - Assignment operators 442
    - EVAL (evaluate) 632
    - EVALR (evaluate, right adjust) 634
    - Move operations 422
    - Z-ADD (zero and add) 850
    - Z-ADD (zero and subtract) 851
  - asterisk fill
    - in body of edit word 221
    - with combination edit codes 221
  - AUT keyword 248
  - AUT parameter
    - specifying on control specifications 248
  - automatic storage 119
- B**
  - BASED keyword 299
  - based variable
    - address of 456
    - and basing pointers 201, 204
    - defining 299
  - begin a select group (SELECT) operation code 757
  - begin/end entry in procedure specification 382
  - BEGSR (beginning of subroutine) operation code 434, 570
  - bibliography 861
  - binary field
    - definition 186
    - EXTBININT keyword 256
    - input specifications 186, 346
    - output specifications 187, 375
  - binary format
    - definition 186
    - input field 347
    - input field specification 186
    - output field 375
    - output field specification 186
  - binary operations
    - data types supported 444
    - precedence of operators 441
  - binary operators 571, 573
  - binary relative-record number 275
  - bit operations
    - %BITAND 459
    - %BITNOT 460
    - %BITOR 461
    - %BITXOR 462
    - BITOFF (set bits off) 403, 571
    - BITON (set bits on) 573
    - BITON operation code 403
    - general information 403
    - TESTB (test bit) 403, 783
  - bit testing (TESTB) 783
  - BITOFF (set bits off) operation code 571
  - BITOFF operation code 403
  - BITON (set bits on) operation code 573
  - BITON operation code 403
  - blank after
    - definition 373
    - output specifications 373
  - blanks, removing from a string 320, 550
  - BLOCK keyword 277
  - blocking/unblocking records 77
  - BND DIR keyword 249
  - BND DIR parameter on CRTBNDRPG
    - specifying on control specifications 249
  - body (of an edit word) 227
  - branching operations 403
    - CABxx (compare and branch) 403, 575
    - ENDSR (end of subroutine) 631
    - EXCEPT (calculation time output) 640
    - general description 403
    - GOTO (go to) 403, 652
    - ITER (iterate) 403, 659
    - LEAVE (leave a structured group) 403, 664
    - TAG (tag) 403, 780
  - branching within logic cycle 575
  - built-in functions
    - %FIELDS (Fields to update) 494
    - %HANDLER (handlingProcedure : communicationArea ) built-in function 500
    - %KDS (Search Arguments in Data Structure) 507
    - %SUBARR(Set/Get Portion of an Array) 539
    - %XML (xmlDocument {:options}) built-in function 559
    - allocation
      - %ALLOC (Allocate Storage) 458
      - %REALLOC (Reallocate Storage) 523

built-in functions (continued)

arithmetic

- %ABS (Absolute Value of Expression) 455
- %DIV (Return Integer Portion of Quotient) 482
- %REM (Return Integer Remainder) 524
- %SQRT (Square Root of Expression) 533
- %XFOOT (Sum Array Expression Elements) 557

data conversion

- %CHAR (Convert to Character Data) 466
- %DATE (Convert to Date) 472
- %DEC (Convert to Packed Decimal Format) 474
- %DECH (Convert to Packed Decimal Format with Half Adjust) 476
- %EDITC (Edit Value Using an Editcode) 483
- %EDITFLT (Convert to Float External Representation) 486
- %EDITW (Edit Value Using an Editword) 487
- %FLOAT (Convert to Floating Format) 495
- %GRAPH (Convert to Graphic Value) 498
- %INT (Convert to Integer Format) 505
- %INTH (Convert to Integer Format with Half Adjust) 505
- %TIME (Convert to Time) 546
- %TIMESTAMP (Convert to Timestamp) 547
- %UCS2 (Convert to UCS-2 Value) 554
- %UNS (Convert to Unsigned Format) 555
- %UNSH (Convert to Unsigned Format with Half Adjust) 555
- %XLATE (Translate) 558

data information

- %DECPOS (Get Number of Decimal Positions) 478
- %ELEM (Get Number of Elements) 488
- %LEN (Get Length) 508
- %OCCUR (Set/Get Occurrence of a Data Structure) 517
- %SIZE (Get Size in Bytes) 531

data types supported 445

date and time

- %DAYS (Number of Days) 473
- %DEC (Date, time or timestamp) 474
- %DIFF (Difference Between Two Date or Time Values) 479
- %HOURS (Number of Hours) 504
- %MINUTES (Number of Minutes) 513
- %MONTHS (Number of Months) 514

built-in functions (continued)

date and time (continued)

- %MSECONDS (Number of Microseconds) 515
- %SECONDS (Number of Seconds) 529
- %SUBDT (Subset of Date or Time) 542
- %YEARS (Number of Years) 561

editing

- %EDITC (Edit Value Using an Editcode) 483
- %EDITFLT (Convert to Float External Representation) 486
- %EDITW (Edit Value Using an Editword) 487

example 394

exception/error handling

- %ERROR (Return Error Condition) 493
- %STATUS (Return File or Program Status) 534

feedback

- %EOF (Return End or Beginning of File Condition) 489
- %EQUAL (Return Exact Match Condition) 491
- %ERROR (Return Error Condition) 493
- %FOUND (Return Found Condition) 496
- %LOOKUPxx (Look Up an Array Element) 511
- %NULLIND (Query or Set Null Indicator) 516
- %OPEN (Return File Open Condition) 518
- %PARMS (Return Number of Parameters) 521
- %SHTDN (Shut Down) 530
- %STATUS (Return File or Program Status) 534
- %TLOOKUPxx (Look Up a Table Element) 548

list of 455

on definition specification 291

pointer

- %ADDR (Get Address of Variable) 456
- %PADDR (Get Procedure Address) 519

string

- %CHECK (Check Characters) 468
- %CHECKR (Check Reverse) 470
- %REPLACE (Replace Character String) 525
- %SCAN (Scan for Characters) 527
- %STR (Get or Store Null-Terminated String) 537
- %SUBST (Get Substring) 543
- %TRIM (Trim Blanks at Edges) 550
- %TRIML (Trim Leading Blanks) 552
- %TRIMR (Trim Trailing Blanks) 553

syntax 455

built-in functions (continued)

table of 396

## C

CABxx (compare and branch) operation

code 403, 408, 575

calculating 237

calculating date durations 412

calculating date-time durations 775

calculation

indicators

AND/OR relationship 55, 357

conditioning 55, 355

control level 54, 357

resulting 46, 361

operation codes 358, 362

summary of 387

specifications

entries for factor 1 358

entries for result field 360

relationship between positions 7

and 8 and 9-11 357

summary of 355

summary of operation codes 387

subroutines

BEGSR (beginning of subroutine)

operation code 570

coding of 434

ENDSR (end of subroutine)

operation code 631

EXSR (invoke subroutine)

operation code 644

SR identifier 357

calculation specifications

control level 356

decimal positions 360

extended factor 2 field

continuation 242

factor 1 358

factor 2 360

field length 360

free-form 242, 363

general description 355

indicators 358

operation 358, 362

operation extender 358, 362

result field 360

resulting indicators 361

summary of 355

calculation-time output (EXCEPT)

operation code 640

CALL (call a program) operation code

call operations 404

description 577

call operations

CALL (call a program) 404, 577

CALLB (call a bound

procedure) 404, 578

CALLP (call a prototyped

procedure) 404, 579

FREE (deactivate a program) 404

general description 404

PARM (identify parameters) 404, 721

parsing program names 406

parsing system built-in names 408

call operations (*continued*)  
 PLIST (identify a parameter list) 404, 724  
 RETURN (return to caller) 404, 750

CALLB (call a bound procedure)  
 operation code  
 call operations 404  
 description 578

calling programs/procedures  
 operational descriptors 406  
 prototyped call 405

CALLP (call a prototyped program or procedure) operation code  
 call operations 404  
 description 579  
 with expressions 439

CASxx (conditionally invoke subroutine)  
 operation code 408, 434, 584

CAT (concatenate two character strings)  
 operation code 429, 586

CCSID keyword, control  
 specification 249

CCSID keyword, definition  
 specification 300

CCSIDs  
 on control specification 249  
 on definition specification 300

century formats  
 description 196  
 with MOVE operation 425, 676, 697  
 with MOVEL operation 425  
 with TEST operation 781

CHAIN (random retrieval from a file based on record number or key value)  
 ope 589

CHAIN (random retrieval from a file based on record number or key value)  
 operation code 416

changing between character fields and numeric fields 422

character format  
 allowed formats  
 description 172  
 fixed length 172  
 indicator 172  
 variable length 175  
 collating sequence 185  
 converting to 466  
 definition specification 296  
 in record identification code 345  
 indicator literals 121  
 keys in record address type 273  
 literals 121  
 replace or insert string 525  
 valid set 3

CHECK (check) operation code 429, 592

CHECKR (check reverse) operation code 429, 595

CL commands  
 Change Job (CHGJOB) command 47  
 Create Job Description (CRTJOB) command 47

class instance, native method 545

CLASS keyword, definition  
 specification 300

CLEAR operation code 120, 420, 598

CLOSE (close files) operation code 416, 602

closing a file 602

code part  
 in record identification code for program described file 344

coding subroutines 434

collating sequence  
 alternate 184  
 EBCDIC 857  
 normal 184

combination edit codes (1-4, A-D, J-Q) 220

combined file  
 description 267

command attention (CA) keys  
 corresponding indicators 53

command function (CF) keys  
 corresponding indicators 53

comments  
 \* in common entries 238  
 on array input records 154

COMMIT (commit) operation code 416  
 description 603

COMMIT keyword  
 description 277

commitment control  
 conditional 277

common entries to all specifications 238

COMP (compare) operation code 408, 604

compare and branch (CABxx) operation code 575

compare operations  
 ANDxx (and) 408, 569  
 CABxx (compare and branch) 408, 575  
 CABxx (Compare and Branch) 575  
 CASxx (conditionally invoke subroutine) 408, 584  
 CASxx (Conditionally Invoke Subroutine) 584  
 COMP (compare) 408, 604  
 COMP (Compare) 604  
 DOU (do until) 408, 616  
 DOUxx (do until) 408, 617  
 DOW (do while) 408, 619  
 DOWxx (do while) 408, 620  
 EVAL (evaluate) 632  
 EVALR (evaluate, right adjust) 634  
 general information 408  
 IF (if/then) 408, 654  
 IFxx (if/then) 408, 655  
 ORxx (or) 408, 717  
 WHEN (when true then select) 408  
 When (When) 795  
 whenxx (when true then select) 796  
 WHENxx (when true then select) 408

comparing bits 783

comparing factors 575, 604

compile time array or table  
 definition specification keyword  
 CTDATA 301  
 general description 154  
 number of elements per record 331  
 rules for loading 154  
 specifying external data type 305

compiler  
 directives 11

compiler directives  
 /COPY 12  
 /EJECT 11  
 /FREE... /END-FREE 11  
 /INCLUDE 12  
 /SPACE 12  
 /TITLE 11

conditional compilation directives  
 /DEFINE 15  
 /ELSE 18  
 /ELSEIF condition-expression 17  
 /ENDIF 18  
 /EOF 19  
 /IF condition-expression 17  
 /UNDEFINE 15  
 predefined conditions 16

composite key operation codes  
 KLIST (define a composite key) 662

concatenate two strings (CAT) operation code 586

condition expressions 17

conditional file open 279, 288

conditionally invoke subroutine (CASxx)  
 operation code 584

conditioning indicators  
 calculation  
 general description 54  
 positions 7 and 8 54  
 positions 9 through 11 54  
 specification of 358

file  
 general description 50  
 rules for 50  
 general description 49

conditioning output  
 explanation of 57  
 for fields of a record 371  
 for records 368

CONST keyword  
 description 300

constants 120  
 constant/editword field  
 continuation 243  
 defining using CONST 300  
 entries for factor 2 120  
 figurative 126  
 \*ALL'x..' , \*ALL'x'1..' ,  
 \*BLANK/\*BLANKS,  
 \*HIVAL/\*LOVAL,  
 \*ZERO/\*ZEROS,  
 \*ON/\*OFF 126

named 125

rules for use on output  
 specification 376  
 size of 531

continuation rules for specifications 239

control break  
 general description 38  
 how to avoid unwanted 39  
 on first cycle 38  
 unwanted 40

control entries  
 in output specification 366

- control field
  - assigning on input specifications
    - externally described file 352
    - program described file 348
  - general information 38
  - overlapping 40
  - split 43
- control group
  - general information 37
- control level (L1-L9) indicators 357
  - as field record relation indicator 50, 349
  - as record identifying indicator 342, 351
  - assigning to input fields 348, 352
  - conditioning calculations 355
  - conditioning output 368, 369
  - examples 40, 44
  - general description 37
  - in calculation specification 356
  - rules for 38
  - setting of 63
- control specification keywords
  - ALTSEQ 247
  - CCSID 249
- compile-option keywords
  - ACTGRP 247
  - ALWNULL 247
  - AUT 248
  - BNDDIR 249
  - CVTOPT 251
  - DFTACTGRP 254
  - ENBPFCOL 255
  - FIXNBR 256
  - GENLVL 257
  - INDENT 258
  - LANGID 258
  - OPTIMIZE 259
  - OPTION 259
  - PRFDTA 261
  - SRTSEQ 261
  - TEXT 261
  - TRUNCNBR 263
  - USRPRF 263
- COPYNEST 250
- COPYRIGHT 250
- CURSYM 251
- DATEDIT 252
- DATFMT 252
- DEBUG 252
- DECEDIT 253
- DECPREC 254
- DFTNAM 255
- EXPROPTS 255
- EXTBININT 256
- FLTDIV 257
- FORMSALIGN 257
- FTRANS 257
- INTPREC 258
- NOMAIN 259
- THREAD 262
- TIMFMT 262
- control specifications
  - continuation line 241
  - data area (DFTLEHSPEC) 245
  - data area (RPGLEHSPEC) 245
  - form type 246

- control specifications (*continued*)
  - general description 245
- controlling input of program 31
- controlling spacing of compiler
  - listing 12
- conversion operations
  - general information 410
- converting a character to a date
  - field 426
- COPYNEST keyword 250
- COPYRIGHT keyword 250
- CR (negative balance symbol)
  - with combination edit code 220
  - with edit words 230
- CTDATA keyword
  - \*\*CTDATA 154, 185
  - description 301
- currency symbol
  - specifying 251
- CURSYM keyword 251
- CVTOPT keyword 251
- CVTOPT parameter
  - specifying on control specifications 251
- cycle-free module 100
- cycle, program
  - detailed description 24
  - fetch overflow logic 29
  - general description 21
  - with initialization subroutine (\*INZSR) 28
  - with lookahead 30
  - with match fields 29
  - with RPG IV exception/error handling 30

## D

- data area data structure
  - general information 133
  - statement
    - externally described 128
    - program described 128
- data areas
  - defining 302, 607, 609
  - DFTLEHSPEC data area 245
  - local data area (LDA) 609
  - PIP data area (PDA) 607
  - restrictions 609
  - retrieval
    - explicit 657
    - implicit 22, 132
  - RPGLEHSPEC data area 245
  - unlocking
    - explicit 715
    - implicit 24, 132
    - UNLOCK operation code 791
  - writing
    - explicit 720
    - implicit 24, 132
- data attributes
  - input specification 346
  - output specification 376
- data conversion built-in functions
  - %CHAR (Convert to Character Data) 466
  - %DATE (Convert to Date) 472

- data conversion built-in functions (*continued*)
  - %DEC (Convert to Packed Decimal Format) 474
  - %DECH (Convert to Packed Decimal Format with Half Adjust) 476
  - %EDITC (Edit Value Using an Editcode) 483
  - %EDITFLT (Convert to Float External Representation) 486
  - %EDITW (Edit Value Using an Editword) 487
  - %FLOAT (Convert to Floating Format) 495
  - %GRAPH (Convert to Graphic Value) 498
  - %INT (Convert to Integer Format) 505
  - %INTH (Convert to Integer Format with Half Adjust) 505
  - %TIME (Convert to Time) 546
  - %TIMESTAMP (Convert to Timestamp) 547
  - %UCS2 (Convert to UCS-2 Value) 554
  - %UNS (Convert to Unsigned Format) 555
  - %UNSH (Convert to Unsigned Format with Half Adjust) 555
  - %XLATE (Translate) 558
- data format
  - binary 186
  - definition specification 296
  - external 305, 375
  - float 187
  - integer 189
  - internal 169
  - packed-decimal 189
  - specifying external character format 171
  - specifying external date or time format 171
  - specifying external numeric format 170
  - unsigned 190
  - zoned-decimal 191
- data information built-in functions
  - %DECPOS (Get Number of Decimal Positions) 478
  - %ELEM (Get Number of Elements) 488
  - %LEN (Get Length) 508
  - %OCCUR (Set/Get Occurrence of a Data Structure) 517
  - %SIZE (Get Size in Bytes) 531
- data structures
  - alignment of 131
  - array data structure 129
  - data area 133
  - defining 130
  - definition keyword summary 335
  - definition type entry 294
  - examples 134
  - externally described 128
  - file information 133
  - file information data structure 65
  - general information 128

- data structures (*continued*)
  - indicator 133
  - multiple-occurrence
    - number of occurrences 317, 488
    - size of 531
  - nested 132
  - overlying storage 131
  - printer control 285
  - program described 128
  - program-status 133
  - qualified name 333
  - qualified name 129
  - rules 132
  - rules for 4
  - saving for attached device 287
  - special 132
  - subfields
    - alignment of 131
    - defining 130, 294
    - external definition 305
    - name prefixing 128, 283, 332
    - overlying storage 131, 329
    - renaming 128, 304
  - type of 293
  - using for I/O 416
  - with OCCUR operation code 710
- data type
  - allowed for built-in functions 445
  - basing pointer 201
  - character 172
  - data mapping errors 217
  - date 195, 252, 278, 288, 301
  - definition specification 296
  - graphic 173
  - numeric 186
  - of return value 750
  - procedure pointer 208
  - supported by binary operations 444
  - supported by unary operations 444
  - supported in expressions 444
  - time 198, 262, 333
  - timestamp 199
  - UCS-2 174
- data-area operations
  - DEFINE (field definition) 607
  - general information 411
  - IN (retrieve a data area) 411, 657
  - OUT (write a data area) 411, 720
  - UNLOCK (unlock a data area) 411, 791
- database data
  - null values 209
  - variable-length fields 179
- date data field
  - DATFMT 278
  - DATFMT on control specification 252
  - DATFMT on definition specification 301
  - effect of end position 222
  - general discussion 195
  - moving 424
  - unexpected results 414
  - zero suppression 220
- date data format
  - \*JOB RUN date separator and format 196
  - \*LONGJUL format 196
- date data format (*continued*)
  - 3-digit year century formats 196
  - control specification 252
  - converting to 472
  - definition specification 301
  - description 195
  - file description specification 278
  - initialization 197
  - input specification 346
  - internal format on definition specification 296
  - output specification 375
  - separators 197
  - table of external formats 197
  - table of RPG-defined formats 196
- date-time built-in functions
  - %DAYS (Number of Days) 473
  - %DEC(Date, time or timestamp) 474
  - %DIFF (Difference Between Two Date or Time Values) 479
  - %HOURS (Number of Hours) 504
  - %MINUTES (Number of Minutes) 513
  - %MONTHS (Number of Months) 514
  - %MSECONDS (Number of Microseconds) 515
  - %SECONDS (Number of Seconds) 529
  - %SUBDT (Subset of Date or Time) 542
  - %YEARS (Number of Years) 561
- date-time operations
  - ADD DUR (add duration) 566
  - EXTRACT (extract date/time) 645
  - general information 412
  - SUB DUR (subtract duration) 774
  - TEST (test date/time/timestamp) 781
  - TIME (retrieve time and date) operation code 789
  - unexpected results 414
- date, user 8
  - \*DATE, \*DAY, \*MONTH, \*YEAR 8
  - UPDATE, UDAY, UMONTH, UYEAR 8
- DATEDIT keyword 252
- DATFMT keyword
  - control specification 252
  - definition specification 301
  - file description specification 278
- DEALLOC (free storage) operation
  - code 420, 605
- deallocate storage (DEALLOC) operation
  - code 605
- DEBUG keyword 252
- DECEDIT keyword 253
- decimal point character 253
- decimal positions
  - calculation specifications 360
  - get with %DECPOS 478
  - input specifications
    - field description entry for program described file 348
    - with arithmetic operation codes 398
- declarative operations
  - DEFINE (field definition) 414, 607
  - define a composite key (KLIST) operation code 662
  - define parts of a key (KFLD) operation code 661
  - defining a field as a data area 607
  - defining a field based on attributes 607
  - defining a file 236
  - defining a symbolic name for the parameter list 724
  - defining an alternate collating sequence 184
  - defining indicators 35
  - defining like
    - DEFINE operation 607
    - LIKE keyword 313
    - subfields 130
  - defining parameters 721
  - definition specification keywords
    - ALIGN 298
    - ALT 298
    - ALTSEQ 298
    - ASCEND 299
    - BASED 299
    - CCSID 300
    - CONST 300
    - continuation line 242
    - CTDATA 301
    - DATFMT 301
    - DESCEND 301
    - DIM 302
    - DTAARA 302
    - EXPORT 304
    - EXTFLD 304
    - EXTFMT 305
    - EXTNAME 305
    - EXTPGM 306
    - EXTPROC 306
    - FROMFILE 310
    - IMPORT 311
    - INZ 311
    - LIKE 313
    - LIKEDS 314
    - LIKEREC 316
    - NOOPT 317
    - OCCURS 317
    - OPDESC 318
    - OPTIONS 318
    - OVERLAY 329
    - PACKEVEN 331
    - PERRCD 331
    - PREFIX 332
- declarative operations (*continued*)
  - general information 414
  - KFLD (define parts of a key) 414, 661
  - KLIST (define a composite key) 414
  - PARM (identify parameters) 414, 721
  - PLIST (identify a parameter list) 414, 724
  - TAG (tag) 414, 780
  - DECPREC keyword 254
  - default data formats
    - date 196, 252, 301
    - time 198, 262, 333
    - timestamp 199

- definition specification keywords  
(*continued*)
    - PROCPTR 333
    - QUALIFIED 129, 333
    - specifying 297
    - STATIC 333
    - TIMFMT 333
    - TOFILE 334
    - VALUE 334
    - VARYING 334
  - definition specifications
    - decimal positions 297
    - entry summary by type 335
    - external description 293
    - form type 292
    - from position 294
    - general 291
    - internal format 296
    - keyword summary by type 335
    - keywords 297
    - name 292
    - to position / length 295
    - type of data structure 293
    - type of definition 294
  - DELETE (delete record) operation
    - code 416, 611
  - delete a record
    - DELETE (delete record) operation
      - code 611
    - output specifications entry (DEL) 367
  - DESCEND keyword 301
  - descending sequence
    - definition specification keyword
      - ASCEND 301
    - file description specifications
      - entry 270
  - describe data structures 339
  - describing arrays 236
  - describing tables 236
  - describing the format of fields 365
  - describing the record 365
  - describing when the record is written 365
  - descriptors, operational
    - minimal 521
    - OPDESC keyword 318
  - detail (D) output record 367
  - detailed program logic 24
  - DETC
    - file exception/error subroutine (INFSR) 80
    - flowchart 24
    - program exception/errors 83
  - DETL
    - file exception/error subroutine (INFSR) 80
    - flowchart 22
    - program exception/errors 83
  - device name
    - specifying 278
  - devices
    - maximum number of 282
    - on file description specification 275
    - saving data structure 287
    - saving indicators 287
  - DEVID keyword 278
  - DFTACTGRP keyword 254
  - DFTACTGRP parameter on CRTBNDRPG
    - specifying on control
      - specifications 254
  - DFTLEHSPEC data area 245
  - DFTNAM keyword 255
  - DIM keyword 129, 302
  - disconnecting a file from the program 602
  - DISK file
    - processing methods 289
    - program-described
      - processing 289
      - summary of processing methods 289
  - display message (DSPLY) operation
    - code 622
  - Display Module (DSPMOD) command
    - copyright information 250
  - Display Program (DSPPGM) command
    - copyright information 250
  - Display Service Program (DSPSRVPGM) command
    - copyright information 250
  - DIV (divide) operation code 398, 613
  - dividing factors 613
  - division operator (/) 444
  - DO operation code 431, 614
  - DO-group
    - general description 431
  - DOU (do until) operation code 408, 431, 439, 616
  - double asterisk (\*\*)
    - alternate collating sequence table 185
    - arrays and tables 155
    - file translation table 111
    - for program described files 342
    - lookahead fields 342  - DOUxx (do until) operation code 408, 431, 617
  - DOW (do while) operation code 408, 431, 439, 619
  - DOWxx (do while) operation code 408, 431, 620
  - DSPLY (display function) operation
    - code 422
  - DSPLY (display message) operation
    - code 622
  - DTAARA keyword 302
  - DUMP (program dump) operation
    - code 419, 625
  - dynamic array
    - %SUBARR (Set/Get Portion of an Array) 539
    - definition of 152
    - rules for loading 152
    - Using dynamically-sized arrays 165
    - with consecutive elements 154
    - with scattered elements 153
  - dynamic calls
    - using CALLP 579
- ## E
- EBCDIC
    - collating sequence 857
  - edit codes
    - combination (1-4, A-D, J-Q) 220
    - description 220
  - edit codes (*continued*)
    - effect on end position 222
    - simple (X, Y, Z) 220
    - summary tables 220, 224
    - unsigned integer field 222
    - user-defined (5-9) 222
    - using %EDITC 483
    - zero suppression 220
  - edit word
    - constant/editword field
      - continuation 243
      - formatting 226, 230
      - on output specifications 376
    - parts of 226
      - body 226
      - expansion 227
      - status 227
    - rules for 230
    - using %EDITW 487
  - edit, date 220
  - editing
    - built-in functions
      - %EDITC (Edit Value Using an Editcode) 483
      - %EDITFLT (Convert to Float External Representation) 486
      - %EDITW (Edit Value Using an Editword) 487
    - date fields 220
    - decimal point character 253
    - externally described files 231
    - non-printer files 222
  - elements
    - number of in array or table 302, 488
    - number per record 331
    - size of field or constant 531
  - ELSE (else do) operation code 431, 627
  - else do (ELSE) operation code 627
  - else if (ELSEIF) operation code 628
  - ELSEIF (else if) operation code 431, 628
  - ENBPFRCOL keyword 255
  - ENBPFRCOL parameter
    - specifying on control
      - specifications 255
  - end a group (ENDyy) operation
    - code 629
  - End Job (ENDJOB) 729
  - end of file
    - built-in function 489
    - file description specifications
      - entry 269
      - with primary file 48
  - end position
    - effect of edit codes on 225
    - in output record
      - for RPG IV output
        - specifications 374
  - End Subsystem (ENDSBS) 729
  - End System (ENDSYS) 729
  - ending a group of operations (CASxx, DO, DOUxx, DOWxx, IFxx, SELECT) 629
  - ending a program, without a primary file 30
  - ending a subroutine 631
  - ENDMON (end a monitor group)
    - operation code 415, 629



ENDSR (end of subroutine) operation  
code 434, 631  
return points 80

ENDyy (end a group) operation  
code 431, 629

equal operator (=) 444

error handling  
major/minor error return codes 79  
steps 33

error logic  
error handling routine 33

EVAL (evaluate expression) operation  
code  
description 632  
structured programming 431  
use with %SUBST 543  
with expressions 439

EVAL-CORR (Assign corresponding  
subfields) operation code 634

EVALR (evaluate expression, right adjust)  
operation code  
description 634

examples of program  
exception/errors 82

examples of the XML-INTO  
operation 830

examples of the XML-SAX  
operation 844

EXCEPT (calculation time output)  
operation code 416, 640

EXCEPT name  
on output specifications 369  
rules for 4

exception (E) output records 367

exception-handling operations  
ENDMON (end a monitor group)  
operation code 415, 629  
MONITOR (begin a monitor  
group) 415, 674  
ON-ERROR (on-error) 415, 714

exception/error codes  
file status codes 78  
program status codes 87

exception/error handling  
built-in functions  
%ERROR (Return Error  
Condition) 493  
%STATUS (Return File or Program  
Status) 534  
data mapping errors 217  
file exception/error subroutine 79  
file information data structure 65  
flowchart 33  
INFSR 79  
program exception/error subroutine  
(\*PSSR) 91  
program status data structure 83  
status codes 77, 87  
file 77  
program 83, 87

EXFMT (write/then read format)  
operation code 416, 642

expansion (of an edit word) 227, 230

expected format of XML data 824

exponent operator (\*\*) 444

EXPORT keyword  
definition specification 304

EXPORT keyword (*continued*)  
procedure specification 383

exported data, defining 304

exporting a procedure 383

exporting a program 383

expression-using operation codes  
CALLP (call prototyped  
procedure) 439  
DOU (do until) 439  
DOW (do while) 439  
EVAL (evaluate) 439  
EVALR (evaluate, right adjust) 439  
FOR (for) 439  
general information 439  
IF (if/then) 439  
RETURN (return) 439  
WHEN (when true then select) 439

expressions  
data type of operands 444  
general rules 440  
intermediate results 448  
operators 441  
order of evaluation of operands 453,  
454  
precedence rules 441  
precision rules 448

EXPROPTS keyword 255

EXSR (invoke subroutine) operation  
code 434, 644

EXTBININT keyword  
and binary fields 187  
description 256

extended factor 2 field, continuation 242

external (U1-U8) indicators  
as field indicator 350, 353  
as field record relation indicator 50,  
349  
as record identifying indicator 342,  
351  
conditioning calculations 358  
conditioning output 368  
general description 47  
resetting 47, 350  
setting 63

external data area  
defining 302, 607

external data format  
date 278  
definition 170  
in input specification 346  
specifying using EXTFMT 305  
specifying using TIMFMT 333  
time 288

external field name  
renaming 352

external message queue (\*EXT) 622

external procedure name 306

external program name 306

externally described file  
editing 231  
input specifications for 350  
output specifications for 377  
record format  
for a subfile 287  
ignoring 280  
including 280  
renaming 287

externally described file (*continued*)  
record format (*continued*)  
writing to a display 288  
renaming fields 283

externally described files, field  
description and control entries, output  
specifications  
field name 378  
output indicators 378

externally described files, field  
description entries, input specifications  
control level 352  
external field name 352  
field indicators 353  
field name 352  
general description 351  
matching fields 352

externally described files, record  
identification and control entries,  
output specifications  
EXCEPT name 378  
logical relationship 377  
output indicators 378  
record addition 378  
record name 377  
release 378  
type 378

externally described files, record  
identification entries, input  
specifications  
form type 350  
general description 351  
record identifying indicator 351  
record name 351

EXTFILE keyword 278

EXTFLD keyword 128, 304

EXTFMT keyword 305

EXTIND keyword 279

EXTMBR keyword 279

EXTNAME keyword 305

EXTPGM keyword 293, 306, 579

EXTPROC keyword 293, 306

EXTRCT (extract date/time) operation  
code 412, 645

## F

factor 1  
as search argument 667  
entries for, in calculation  
specification 358  
in arithmetic operation codes 398

factor 2  
entries for, in calculation  
specification 360  
in arithmetic operation codes 398

feedback built-in functions  
%EOF (Return End or Beginning of  
File Condition) 489  
%EQUAL (Return Exact Match  
Condition) 491  
%ERROR (Return Error  
Condition) 493  
%FOUND (Return Found  
Condition) 496  
%LOOKUPxx (Look Up an Array  
Element) 511

- feedback built-in functions (*continued*)
  - %NULLIND (Query or Set Null Indicator) 516
  - %OPEN (Return File Open Condition) 518
  - %PARMS (Return Number of Parameters) 521
  - %SHTDN (Shut Down) 530
  - %STATUS (Return File or Program Status) 534
  - %TLOOKUPxx (Look Up a Table Element) 548
- FEOD (force end of data) operation code 416, 647
- fetch overflow
  - entry on output specifications 368
  - general description 29, 368
  - logic 29
  - relationship with AND line 369
  - relationship with OR line 369
- field
  - binary 186
  - on output specifications 375
  - control 38
  - defining as data area 609
  - defining like 313
  - defining new 360
  - description entries in input specification 345, 351
  - key 272
  - key, starting location of 281
  - location and size in record 347
  - location in input specification 347
  - lookahead
    - with program described file 342
  - match 103
  - name in input specification 348
  - null-capable 209
  - numeric
    - on output specifications 371
  - packed 189
  - record address 272
  - renaming 283, 287
  - result 360
  - size of 531
  - standalone 119
  - zeroing 373, 379
- field definition (DEFINE) operation code 607
- field indicators (01-99, H1-H9, U1-U8, RT)
  - as halt indicators 45
  - assigning on input specifications
    - for externally described files 353
    - for program described files 350
  - conditioning calculations 358
  - conditioning output 368
  - general description 45
  - numeric 45
  - rules for assigning 45
  - setting of 63
- field length
  - absolute (positional) notation 131, 295
  - arithmetic operation codes 398
  - calculation operations 360
  - calculation specifications 360
  - compare operation codes 408
- field length (*continued*)
  - input specifications 346
  - key 272
  - length notation 131, 295
  - numeric or alphanumeric 347
  - record address 272
- field location entry (input specifications)
  - for program described file 347
- field name
  - as result field 360
  - external 352
  - in an OR relationship 345
  - in input specification 352
  - on output specifications 372
  - rules for 4
  - special words as 372
  - special words as field name 7
- field record relation indicators (01-99, H1-H9, L1-L9, U1-U8)
  - assigning on input specifications 349
  - example 52
  - general description 50
  - rules for 51
- figurative constants
  - \*ALL'x..', \*ALLX'x1..', \*BLANK/\*BLANKS, \*HIVAL/\*LOVAL, \*ZERO/\*ZEROS, \*ON/\*OFF 126
  - rules for 127
- file
  - adding records to 269, 367
  - array 268
  - combined 267
  - conditioning indicators 50
  - deleting existing records from 367
  - deleting records from
    - DEL 367
    - DELETE 611
  - description specifications 265
  - designation 267
  - end of 268
  - exception/error codes 78
  - externally described, input
    - specification for 350
  - feedback information in INFDS 66
  - feedback information in INFDS after POST 68
  - file organization 274
  - format 270
  - full procedural 31, 268
  - indexed 275
  - input 267
  - maximum number allowed 265
  - name
    - entry on file description specifications 266
    - entry on input specifications 340
    - entry on output specifications 366
    - externally described 266
    - program described 266
    - rules for 4
  - nonkeyed program described 275
  - normal codes for file status 77
  - number allowed on file description specifications 265
  - output 267
  - primary 268
- file (*continued*)
  - processing 31
  - record address 268
  - rules for conditioning 50
  - secondary 268
  - status codes 77
  - table 268
  - types 267
- file conditioning indicators 47
  - general description 50
  - specifying with EXTIND 279
- file description specification keywords
  - BLOCK 277
  - COMMIT 277
  - continuation line 241
  - DATFMT 278
  - DEVID 278
  - EXTIND 279
  - FORMLEN 280
  - FORMOFL 280
  - IGNORE 280
  - INCLUDE 280
  - INDDS 281
  - INFDS 281
  - INFSR (file exception/error subroutine) 281
  - KEYLOC 281
  - MAXDEV 282
  - OFLIND 282
  - PASS 282
  - PGMNAME 283
  - PLIST 283
  - PREFIX 283
  - PRTCTL 285
  - RAFDATA 286
  - RECNO 286
  - RENAME 287
  - SAVEDS 287
  - SAVEIND 287
  - SFILE 287
  - SLN 288
  - TIMFMT 288
  - USROPN 288
- file description specifications
  - device 275
  - end of file 268
  - file addition 269
  - file designation 267
  - file format 270
  - file name 266
  - file organization 274
  - file type 267
  - form type 266
  - general description 265
  - key field starting location 281
  - length of key or record address 272
  - limits processing 271
  - maximum number of files
    - allowed 265
  - overflow indicator 282
  - record address type 272
  - record length 271
  - sequence 270
- file exception/error subroutine (INFSR)
  - description 79
  - INFSR keyword 281
  - return points 80

file exception/error subroutine (INFSR) (continued)  
 specifications for 79

file exception/errors  
 file information data structure (INFDS) 65  
 general information 65  
 how to handle subroutine (INFSR) 79  
 statement specifications 343

file information data structure 65, 66  
 contents of file feedback information 66  
 contents of file feedback information after POST 68  
 continuation line option 276  
 entry on file description specifications 276  
 general information 133  
 INFDS keyword 281  
 predefined subfields 68  
 status codes 77  
 subfields specifications 132

file operations  
 ACQ (acquire) operation code 416, 564  
 CHAIN (random retrieval from a file based on record number) 416, 589  
 CLOSE (close files) operation code 416, 602  
 COMMIT (commit) operation code 416, 603  
 DELETE (delete record) operation code 416, 611  
 EXCEPT (calculation time output) operation code 416, 640  
 EXFMT (write/then read format) operation code 416, 642  
 FEOD (force end of data) operation code 416, 647  
 FORCE (force a file to be read) operation code 416, 651  
 general description 416  
 NEXT (next) operation code 416, 709  
 OPEN (open file for processing) operation code 416, 715  
 POST (post) operation code 416, 726  
 READ (read a record) operation code 416, 728  
 READC (read next modified record) operation code 416, 731  
 READE (read equal key) operation code 416, 733  
 READP (read prior record) operation code 416, 736  
 READPE (read prior equal) operation code 416, 738  
 REL (release) operation code 416, 742  
 ROLBK (roll back) operation code 416, 753  
 SETGT (set greater than) operation code 416, 759  
 SETLL (set lower limits) operation code 416, 763  
 UNLOCK (unlock a data area) operation code 416, 791

file operations (continued)  
 UPDATE (modify existing record) operation code 416  
 WRITE (create new records) operation code 416, 799

file translation 111  
 FTRANS keyword 257  
 table records 113

first page (1P) indicator  
 conditioning output 369, 372  
 general description 48  
 restrictions 48  
 setting 63

first program cycle 21  
 FIXNBR keyword 256  
 FIXNBR parameter specifying on control specifications 256

float format  
 alignment of fields 188  
 considerations for using 192  
 converting to 495  
 definition 187  
 displaying as 486  
 external display representation 188  
 float keys 274  
 FLTDIV keyword 257  
 input field specification 187  
 output field specification 187

float literals 122  
 floating point representation 187, 448

flowchart  
 detailed program logic 24  
 fetch-overflow logic 29  
 general program logic 21  
 lookahead logic 29  
 match fields logic 29  
 RPG IV exception/error handling 33

FLTDIV keyword 257  
 FOR operation code 431, 648  
 FORCE (force a file to be read) operation code 416, 651  
 force a certain file to be read on the next cycle (FORCE) operation code 651  
 force end of data (FEOD) operation code 647

form type  
 externally described files 350  
 in calculation specification 356  
 on control specification 246  
 on description specifications 265  
 program described file 340

format  
 of file 270

format, data  
 binary 186  
 definition specification 296  
 external 305, 375  
 float 187  
 integer 189  
 internal 169  
 packed-decimal 189  
 specifying external character format 171  
 specifying external date or time format 171

format, data (continued)  
 specifying external numeric format 170  
 unsigned 190  
 zoned-decimal 191

formatting edit words 230  
 FORMLEN keyword 280  
 FORMOFL keyword 280  
 FORMSALIGN keyword 257

free-form syntax 363  
 freeing storage 605  
 FROMFILE keyword 310  
 FTRANS keyword 257  
 \*\*FTRANS 154, 185  
 description 112

full procedural file  
 description of 268  
 file description specifications entry 267  
 file operation codes 416  
 search argument keys 418

function key  
 corresponding indicators 52

function key indicators (KA-KN, KP-KY)  
 corresponding function keys 53  
 general description 52  
 setting 63

## G

general (01-99) indicators 35  
 general program logic 21  
 generating a program 236  
 GENLVL keyword 257  
 GENLVL parameter specifying on control specifications 257

get/set occurrence of data structure 710  
 global variables 96, 118  
 GOTO (go to) operation code 403, 652

graphic format  
 as compile-time data 156, 164  
 concatenating graphic strings 588  
 definition specification 296  
 description 173  
 displaying 624  
 fixed length 173  
 graphic CCSID  
 on control specification 249  
 on definition specification 300  
 moving 423, 676  
 size of 531  
 substrings 543  
 variable length 175  
 verifying with CHECK 592, 594

greater than operator (>) 444  
 greater than or equal operator (>=) 444

## H

half adjust  
 on calculation specifications 358, 362  
 operations allowed with 358, 362

halt (H1-H9) indicators  
 as field indicators 350, 353  
 as field record relation indicator 350

- halt (H1-H9) indicators (*continued*)
  - as record identifying indicator 342, 351
  - as resulting indicator 361
  - conditioning calculations 358
  - conditioning output 369, 371
  - general description 53
  - setting 63
- handling exceptions/errors
  - built-in functions
    - %ERROR (Return Error Condition) 493
    - %STATUS (Return File or Program Status) 534
  - data mapping errors 217
  - file exception/error subroutine 79
  - file information data structure 65
  - flowchart 33
  - INFSR 79
  - program exception/error subroutine (\*PSSR) 91
  - program status data structure 83
  - status codes 77, 87
    - file 77
    - program 83, 87
- heading (H) output records 367
- heading information for compiler listing 11

**I**

- identifying a parameter list 724
- IF (if/then) operation code 408, 431, 439, 654
- IFxx (if/then) operation code 408, 431, 655
- IGNORE keyword 280
- ILE C
  - specifying lowercase name 293
- ILE RPG restrictions, summary 855
- IMPORT keyword 311
- imported data, defining 311
- IN (retrieve a data area) operation code 411, 657
- INCLUDE keyword 280
- INDDS keyword 281
- INDENT keyword 258
- INDENT parameter
  - specifying on control specifications 258
- indentation bars in source listing 655
- indexed file
  - format of keys 275
  - key field 281
  - processing 275
- indicating calculations 355
- indicating length of overflow line 236
- indicator data structure
  - general information 133
  - INDDS keyword 281
- indicator-setting operations
  - general information 419
  - SETOFF (set off) 419, 767
  - SETON (set on) 419, 768
- indicators
  - calculation specifications 361

- indicators (*continued*)
  - command key (KA-KN, KP-KY)
    - conditioning output 57
    - general description 52
    - setting 63
  - conditioning calculations 54
  - conditioning file open 279
  - conditioning output 57
    - controlling a record 368
    - controlling fields of a record 371
    - general information 49
    - specification of 368
  - control level 357
  - control level (L1-L9)
    - as field record relation indicator 50, 348
    - as record identifying indicator 342, 352
    - assigning to input fields 348, 352
    - conditioning calculations 358
    - conditioning output 368, 371
    - examples 40, 44
    - general description 37
    - rules for 38, 43
    - setting of 63
  - description 35
  - external (U1-U8)
    - as field indicator 45
    - as field record relation indicator 50, 349
    - as record identifying indicator 36
    - conditioning calculations 358
    - conditioning output 368
    - general description 47
    - resetting 47, 350
    - rules for resetting 47, 50
    - setting 63
  - field
    - as halt indicators 45
    - assigning on input specifications 350, 353
    - conditioning calculations 358
    - conditioning output 368
    - general description 45
    - numeric 45
    - rules for assigning 45
    - setting of 63
  - field record relation
    - assigning on input specifications 349
    - example 51
    - general description 50
    - rules for 51
  - file conditioning 50
  - first page (1P)
    - conditioning output 368, 372
    - general description 48
    - restrictions 48
    - setting 63
    - with initialization subroutine (\*INZSR) 28
  - halt (H1-H9)
    - as field indicator 45
    - as field record relation indicator 50, 350
    - as record identifying indicator 36
    - as resulting indicator 46, 361

- indicators (*continued*)
  - halt (H1-H9) (*continued*)
    - conditioning calculations 358
    - conditioning output 368, 371
    - general description 53
    - setting 63
  - internal 46
    - first page (1P) 48
    - last record (LR) 48
    - matching record (MR) 48
    - return (RT) 49
  - last record (LR)
    - as record identifying indicator 36, 342, 351
    - as resulting indicator 46, 361
    - conditioning calculations 357, 358
    - conditioning output 368, 371
    - general description 48
    - setting 63
  - level zero (L0)
    - calculation specification 54, 356
  - matching record (MR)
    - as field record relation indicator 50, 350
    - assigning match fields 103
    - conditioning calculations 358
    - conditioning output 368, 371
    - general description 48
    - setting 63
  - on RPG IV specifications 35
  - output
    - AND/OR lines 371
    - assigning 368
    - examples 58, 59
    - general description 58
    - restriction in use of negative indicators 58, 369
  - overflow
    - assigning on file description specifications 282
    - conditioning calculations 54, 358
    - conditioning output 368, 371
    - fetch overflow logic 29
    - general description 35
    - setting of 63
      - with exception lines 369, 641
    - passing or not passing 282
  - record identifying
    - assigning on input specifications 36
    - conditioning calculations 358
    - conditioning output 368, 371
    - general description 36
    - rules for 36
    - setting on and off 63
    - summary 62
    - with file operations 36
  - return (RT) 49
    - as field indicator 45
    - as record identifying indicator 351
    - as resulting indicator 46, 361
    - conditioning calculations 358
    - conditioning output 57
    - rules for assigning 36
    - rules for assigning resulting indicators 45

- indicators (*continued*)
  - saving for attached device 287
  - setting of 63
  - status
    - program exception/error 83
  - summary chart 62
  - used as data 60
  - using 49
  - when set on and set off 63
- INFDS keyword 281
- information operations
  - DUMP (program dump) 419, 625
  - general information 419
  - SHTDN (shut down) 419, 769
  - TIME (retrieve time and date) 419, 789
- INFSR keyword 281
- initialization
  - inside subprocedures 97
  - of arrays 158
  - of fields with INZ keyword 311
  - overview 120
  - subroutine (\*INZSR) 28
  - subroutine with RESET operation code 743
- initialization operations
  - CLEAR (clear) 598
  - general information 420
  - RESET (reset) operation 743
- initialization subroutine (\*INZSR)
  - and subprocedures 97
  - description 28
  - with RESET operation code 743
- input
  - file 267
  - input from a file into a data structure 416
- input field
  - as lookahead field 343
  - decimal positions 348
  - external name 351
  - format of 346
  - location 347
  - name of 348
  - RPG IV name of 352
- input specifications
  - control level indicators 352
  - external field name 352
  - field indicators 353
  - location and size of field 347
  - match fields 352
  - record identifying indicator 351
  - record name 351
  - RPG IV field name 352
- input specifications for program
  - described file
    - field
      - decimal positions 348
      - format 347
      - name 348
    - filename 340
    - indicators
      - control level 348
      - field 347
      - field record relation 350
      - record identifying 342
    - lookahead field 342

- input specifications for program
  - described file (*continued*)
    - number of records 341
    - option 342
    - record identification codes 343
    - sequence checking 341
  - inserting records during compilation 12
  - integer arithmetic 399
  - integer format
    - alignment of fields 131, 189, 298
    - arithmetic operations 399
    - considerations for using 192
    - converting to 505
    - definition 189
    - definition specification 296
    - editing an unsigned field 231
    - editing unsigned field 222
    - integer arithmetic 399
    - output specification 375
  - integer portion, quotient 482
  - integer remainder 524
  - intermediate results in expressions 448
  - internal data format
    - arithmetic operations 399
    - default date 252
    - default formats 170
    - default time 262
    - definition 169
    - definition specification 296
    - for external subfields 128
  - internal indicators 46
    - first page (1P) 48
    - last record (LR) 48
    - matching record (MR) 48
    - return (RT) 49
  - INTPREC keyword 258
  - INVITE DDS keyword 729
  - invoke subroutine (EXSR) operation code 644
  - INZ keyword
    - description 311
  - ITER (iterate) operation code 403, 431, 659

## J

- Java
  - %THIS 545
  - CLASS keyword 300
  - EXTPROC keyword 306
  - Object data type 200

## K

- key field
  - alphanumeric 272
  - for externally described file 273
  - format of 273
  - graphic 272
  - length of 272
  - packed 272
  - starting location of 281
- keyed processing
  - indexed file 275
  - sequential 289
  - specification of keys 273

- KEYLOC keyword 281
- keyword 333
- keywords
  - ALT 247
  - for program status data structure 83
  - \*ROUTINE 83
  - \*STATUS 83
  - syntax 238
- KFLD (define parts of a key) operation
  - code 97, 414, 661
- KLIST (define a composite key) operation
  - code 97, 414, 662
  - name, rules for 4

## L

- label, rules for 4
- LANGID keyword 258
- LANGID parameter
  - specifying on control specifications 258
- last program cycle 21
- last record (LR) indicator
  - as record identifying indicator 342, 351
  - as resulting indicator 46, 361
  - conditioning calculations
    - positions 7 and 8 356, 357
    - positions 9-11 358
  - conditioning output 368, 371
  - general description 48
  - in calculation specification 357
  - setting 63
- leading blanks, removing 320, 550, 552
- LEAVE (leave a structured group)
  - operation code 403, 431, 664
- LEAVESR (leave subroutine) operation code 666
- length notation 131, 295
- length of form for PRINTER file 280
- length, get using %LEN 508
- less than operator (<) 444
- less than or equal operator (<=) 444
- level zero (L0) indicator
  - calculation specification 356
  - calculation specifications 54
- LIKE keyword 130, 313
- LIKEDS keyword 314
- LIKEREC keyword 316
- limits processing, file description
  - specifications 271
- line skipping 367
- line spacing 367
- literals
  - alphanumeric 120
  - character 121
  - date 122
  - graphic 123
  - hexadecimal 121
  - indicator format 121
  - numeric 121
  - time 122
  - timestamp 123
  - UCS-2 123
- local data area 609
- local variable
  - scope 96, 118

local variable (*continued*)  
 static storage 333  
 locking/unlocking a data area or  
 record 791  
 logic cycle, RPG  
 detail 24  
 general 21  
 logical relationship  
 calculation specifications 357  
 input specifications 345  
 output specifications 366, 377  
 long names  
 continuation rules 240, 243  
 definition specifications 292  
 examples 240, 243  
 limitations 3  
 procedure specifications 382  
 look-ahead function 30  
 look-ahead field 342  
 LOOKUP (look up) operation code 402  
 arrays/tables 667

## M

M1-M9 (match field values) 104  
 main procedure  
 and procedure interface 148  
 mixing with subprocedures 100  
 scope of parameters 118  
 specifications for 235  
 main source section  
 description 235  
 specifications for 236  
 major/minor return codes 79  
 match fields  
 alternate collating sequence 184  
 assigning values (M1-M9) to 104  
 description 103  
 dummy match field 105, 107  
 example 105  
 in multi-file processing 103  
 input specifications for 349, 352  
 logic 29  
 used for sequence checking 104  
 match levels (M1-M9) 104  
 matching record (MR) indicator  
 as field record relation indicator 50,  
 350  
 assigning match fields 349, 352  
 conditioning calculations  
 positions 7 and 8 356  
 positions 9-11 358  
 conditioning output 368, 371  
 general description 48  
 setting 63  
 MAXDEV keyword 282  
 maximum number of devices 282  
 maximum number of files allowed 265  
 memory management operations  
 ALLOC (allocate storage) operation  
 code 420, 568  
 DEALLOC (free storage) operation  
 code 420, 605  
 general information 420  
 REALLOC (reallocate storage with  
 new length) operation code 420,  
 741

message identification 622  
 message operations  
 DSPLY (display function) 422  
 DSPLY (display message) 622  
 general information 422  
 MHHZO (move high to high zone)  
 operation code 428, 670  
 MHLZO (move high to low zone)  
 operation code 428, 671  
 mixing main procedures and  
 subprocedures 100  
 MLHZO (move low to high zone)  
 operation code 428, 672  
 MLLZO (move low to low zone)  
 operation code 428, 673  
 modifying an existing record 793  
 module  
 NOMAIN 100, 259  
 MONITOR (begin a monitor group)  
 operation code 415, 674  
 move array (MOVEA) operation  
 code 690  
 move high to high zone (MHHZO)  
 operation code 670  
 move high to low zone (MHLZO)  
 operation code 671  
 move left (MOVEL) operation code 697  
 move low to high zone (MLHZO)  
 operation code 672  
 move low to low zone (MLLZO)  
 operation code 673  
 MOVE operation code 422, 676  
 move operations  
 general information 422  
 MOVE 422, 676  
 MOVEA (move array) 422, 690  
 MOVEL (move left) 422, 697  
 move remainder (MVR) operation  
 code 708  
 move zone operations  
 general information 428  
 MHHZO (move high to high  
 zone) 428, 670  
 MHLZO (move high to low  
 zone) 428, 671  
 MLHZO (move low to high  
 zone) 428, 672  
 MLLZO (move low to low zone) 428,  
 673  
 MOVEA (move array) operation  
 code 402, 422, 690  
 MOVEL (move left) operation code 422,  
 697  
 moving character, graphic, and numeric  
 data 423  
 moving date-time fields 424  
 moving the remainder 708  
 moving zones 670  
 MULT (multiply) operation code 398,  
 707  
 multifile logic 29  
 multifile processing  
 assigning match field values 104  
 FORCE operation code 651  
 logic 29  
 match fields 103  
 no match fields 103

multifile processing (*continued*)  
 normal selection, three files 107, 108  
 multiplication operator (\*) 444  
 multiply (MULT) operation code 707  
 multiplying factors 707  
 multithread environment 262  
 MVR (move remainder) operation  
 code 398, 708

## N

name(s)  
 array 4  
 conditional compile 4  
 data structure 4  
 EXCEPT 4, 369  
 field 4  
 on input specifications 348, 352  
 on output specifications 369  
 file 4  
 for \*ROUTINE  
 with program status data  
 structure 83  
 KLIST 4  
 labels 4  
 PLIST 5  
 prototype 5  
 record 5  
 rules for 4  
 subfield 4  
 subroutine 5  
 symbolic 3  
 table 5  
 named constant  
 defining a value using CONST 300  
 definition keyword summary 335  
 specifying 125  
 named constants 125  
 native method 545  
 negative balance (CR)  
 with combination edit code 220  
 nested DO-group  
 example 433  
 nesting /COPY or /INCLUDE  
 directives 14  
 NEXT (next) operation code 416, 709  
 NOMAIN keyword 259  
 NOMAIN module 100  
 main source section 235  
 nonkeyed processing 273  
 NOOPT keyword  
 description 317  
 normal codes  
 file status 77  
 program status 87  
 normal program cycle 21  
 NOT  
 as a special word 6  
 as operator in expressions 444  
 not equal operator (<>) 444  
 null value support  
 ALWNULL(\*NO) 217  
 description 209  
 input-only 216  
 user controlled 210  
 input 211  
 keyed operations 213

- null value support (*continued*)
  - user controlled (*continued*)
    - output 211
    - query or set null indicator 516
- null-terminated string
  - get or store 537
  - passing 318
- number
  - of records for program described files 341
- number of devices, maximum 282
- number of elements
  - defining using DIM 302
  - determining using %ELEM 488
  - per record 331
- numeric data type
  - allowed formats 186
  - binary 186
  - considerations for using 192
  - float 187
  - integer 189
  - packed-decimal 189
  - representation 193
  - unsigned 190
  - zoned-decimal 191
- numeric fields
  - format 169, 191
  - moving 423
  - punctuation 219
  - resetting to zeros 373
- numeric literals
  - considerations for use 121
  - length of 508

## O

- object data type
  - class 300
  - description 200
  - internal format on definition specification 296
- OCCUR (set/get occurrence of a data structure) operation code 710
- OCCURS keyword 317
- OFL
  - file exception/error subroutine (INFSR) 80
  - flowchart 24
  - program exception/errors 83
- OFLIND keyword 282
- omitted parameters
  - prototyped 318
- ON-ERROR (on error) operation code 415, 714
- OPDESC keyword 318
- OPEN (open file for processing) operation code 416, 715
  - specifications for 715
- opening file for processing 715
  - conditional 279
  - OPEN operation code 715
  - user-controlled 288
- OPENOPT keyword 259
- operation extender 358, 362
- operational descriptors
  - minimal 521
  - OPDESC keyword 318

- operations, in calculation
  - specification 358, 362
- operator precedence rules 441
- operators
  - binary 441
  - unary 441
- optimization
  - preventing 317
- OPTIMIZE keyword 259
- OPTIMIZE parameter
  - specifying on control specifications 259
- OPTION keyword 259
- OPTION parameter
  - specifying on control specifications 259
- OPTIONS keyword
  - \*NOPASS 318
  - \*OMIT 318
  - \*RIGHTADJ 318
  - \*STRING 318
  - \*VARSIZE 318
- OR lines
  - on calculations 358
  - on input specifications 345
  - on output specifications 366, 377
- order of evaluation
  - in expressions 454
- ORxx operation code 408, 431, 717
- OTHER (otherwise select) operation code 431, 718
- otherwise select (OTHER) operation code 718
- OUT (write a data area) operation code 411, 720
- output
  - conditioning indicators 57, 369
  - field
    - format of 377
    - name 372
  - file 267
  - output from a data structure to a file 416
  - record
    - end position in 374
  - specifications
    - \*ALL 379
    - ADD records for externally described files 378
    - AND/OR lines for externally described files 377
    - DEL (delete) records for externally described files 378
    - detail record for program described file 367
    - EXCEPT name for externally described files 378
    - externally described files 377
    - field description control 365
    - field name 378
    - file name for program described file 366
    - for fields of a record 372
    - for records 366
    - general description 365
    - indicators for externally described files 377

- output (*continued*)
  - specifications (*continued*)
    - record identification and control 365
    - record name for externally described files 377
    - record type for externally described files 378
    - specification and entry 366
- output specifications
  - constant/editword field 243
  - for program described file
    - \*IN, \*INxx, \*IN(xx) 373
    - \*PLACE 372
  - ADD record 367
  - AND/OR lines for program described file 366
  - blank after 373
  - conditioning indicators 368
  - DEL (delete) record 367
  - edit codes 373
  - end position of field 374
  - EXCEPT name 369
  - exception record for program described file 367
  - PAGE, PAGE1-PAGE7 372
  - UPDATE 372
  - UDAY 372
  - UMONTH 372
  - UYEAR 372
- overflow
  - line, indicating length of 236
- overflow indicators
  - assigning on file description specifications 282
  - conditioning calculations 54, 358
  - conditioning output 368
  - fetch overflow logic 29
  - general description 35
  - reset to \*OFF 259
  - setting of 63
  - with exception lines 369, 627, 628
- overlapping control fields 40
- OVERLAY keyword 131, 329
- overlying storage in data structures 131, 329

## P

- packed decimal format
  - array/table field 189
  - converting to 474
  - definition specification 296
  - description 189
  - input field 189
  - keys 273
  - output field 189
  - specifying even number of digits 331
- PACKEVEN keyword 190, 331
- page numbering 9
- PAGE, PAGE1-PAGE 7 372
- parameters
  - prototyped parameters 146
- PARM (identify parameters) operation code 414, 721
  - calculation specifications 721
  - call operations 404

partial arrays 539  
   %SUBARR (Set/Get Portion of an Array) 539  
 PASS keyword 282  
 passing parameters  
   by read-only reference 300  
   number of parameters 521  
   with CONST keyword 300  
 performance considerations  
   arithmetic operations 399  
 PERRCD keyword 331  
 PGMNAME keyword 283  
 PIP (Program Initialization Parameters)  
   data area 609  
     DEFINE (field definition) 607  
     IN (retrieve a data area) 657  
     OUT (write a data area) 720  
     UNLOCK (unlock a data area or record) 791  
     UNLOCK (unlock a data area) 791  
 PLIST (identify a parameter list)  
   operation code 97, 414, 724  
   \*ENTRY PLIST 724  
   calculation specifications 724  
   call operations 404  
   for SPECIAL file 283  
   name, rules for 5  
 PLIST keyword 283  
 pointers  
   basing pointer  
     alignment 202  
     alignment of subfields 131  
     as result of %ADDR 456  
     comparison to \*NULL 410  
     creating 299  
     data type 201  
     example 204  
     problems comparing pointers 410, 770  
   built-in functions  
     %ADDR (Get Address of Variable) 456  
     %PADDR (Get Procedure Address) 519  
   data type 296  
   pointer arithmetic 204  
   procedure pointer  
     address of procedure entry point 519  
     alignment of subfields 131  
     data type 208  
     example 208  
     PROCPTR keyword 333  
 position of record identification code 344  
 positional notation 131, 295  
 POST (post) operation code 416, 726  
 POST (Post) operation code  
   contents of file feedback information after use 68  
 Power Down System (PWRDWN SYS) 729  
 power operator 444  
 precedence rules of expression operators 441  
 precision of expression results  
   "Result Decimal Position"  
     example 453  
     default example 450  
     intermediate results 450  
     precision rules 448  
     using the "Result Decimal Position" rules 452  
     using the default rule 449  
 predefined conditions 16  
 PREFIX keyword  
   definition specification 128, 332  
   file description specification 283  
 prefixing a name to a subfield 128, 332  
 prerun-time array or table  
   coding 156  
   example of 155  
   input file name 310  
   number of elements per record 331  
   output file name 334  
   rules for loading 157  
   specifying external data format 305  
 prevent printing over perforation 29  
 PRFDTA keyword 261  
 PRFDTA parameter  
   specifying on control specifications 261  
 primary file  
   ending a program without 30  
   file description specifications 268  
   general description 268  
 printer control data structure 285  
 PRINTER file  
   device name 275  
   fetch overflow logic 29  
   length of form 280  
 procedure  
   address of procedure entry point 519  
   exported 13  
   external prototyped name 306  
   procedure pointer call 308  
   procedure specification 381  
   PROCPTR keyword 333  
 procedure interface  
   and main procedure 148  
   defining 95, 148, 381  
   definition keyword summary 336  
   definition type entry 294  
 procedure pointer calls 308  
 procedure specification  
   begin/end entry 382  
   form type 382  
   general 381  
   keywords 383  
   name 382  
 procedure specification keywords  
   EXPORT 383  
 processing methods  
   for DISK file 289  
 PROCPTR keyword 333  
 program  
   status, codes 87  
   status, exception/error codes 87  
 program cycle  
   defined 21  
   detail 24  
   detailed description 24  
   program cycle (*continued*)  
     fetch overflow logic 29  
     general 21  
     general description 21  
     programmer control 31  
     with initialization subroutine (\*INZSR) 28  
     with lookahead 30  
     with match fields 29  
     with RPG IV exception/error handling 30  
   program described files, field description and control entries, output specifications  
     blank after 373  
     constant or edit word 376  
     data format 375  
     edit codes 373  
     end position 374  
     field name 372  
     output indicators 371  
   program described files, field description entries, input specifications  
     data format 346  
     field location 347  
     general description 345  
   program described files, record identification and control entries, output specifications  
     EXCEPT name 369  
     fetch overflow/release 368  
     file name 366  
     logical relationship 366  
     output indicators 368  
     record addition/deletion 367  
     skip after 371  
     skip before 371  
     space after 371  
     space and skip 370  
     space before 371  
     type 367  
   program described files, record identification entries, input specifications  
     file name 340  
     general description 340  
     logical relationship 340  
     number 341  
     option 342  
     record identification codes 343  
     record identifying indicator, or \*\* 342  
     sequence 341  
     summary tables 340  
   program device, specifying name 278  
 program dump (DUMP) operation code 625  
 program ending, without a primary file 30  
 program exception/error subroutine and subprocedures 97  
 program exception/errors  
   general information  
     indicators in positions 73 and 74 82  
   indicators in positions 56 and 57 of calculation specifications 65, 82  
   data structure 83



program exception/errors (*continued*)  
 indicators in positions 56 and 57 of  
 calculation specifications (*continued*)  
 status information 82  
 return point entries 80  
 \*CANCL 80, 83  
 \*DETC 80, 83  
 \*DETL 80, 83  
 \*GETIN 80, 83  
 \*OFL 80, 83  
 \*TOTC 80, 83  
 \*TOTL 80  
 blanks 80, 83  
 subroutine 91  
 program generation 245  
 program name  
 default 255  
 external prototyped name 306  
 for SPECIAL file 283  
 program running 245  
 program status data structure  
 \*ROUTINE 83  
 \*STATUS 83  
 contents 83  
 defining 133  
 general information 83  
 predefined subfield 83  
 status codes 87  
 subfields  
 predefined 83  
 with OCCUR operation code 710  
 program-described file  
 date-time data format 171  
 entries on  
 file description specifications 265  
 input specifications 339, 340  
 output specifications 365  
 in output specification 366  
 length of key field 272  
 length of logical record 271  
 numeric data format 170  
 record identification entries 340  
 program/procedure call  
 operational descriptors 406  
 prototyped call 405  
 programmer control of file  
 processing 31  
 programming tips 245, 724  
 /EOF directive 19  
 checking parameter interface 721  
 displaying copyright information 250  
 exported procedures 13  
 improving call performance 83  
 nested /COPY or /INCLUDE 14  
 reducing size of module 100  
 using prototypes 149, 293, 317  
 prototype  
 and main procedure 148  
 and subprocedures 93  
 defining 145  
 definition keyword summary 336  
 definition type entry 294  
 description 405  
 prototyped call  
 defining 145  
 using call operations 405

prototyped parameters  
 defining 146  
 definition keyword summary 336  
 omitting on call 318  
 OPTIONS keyword 318  
 passing \*OMIT 318  
 passing string shorter than defined  
 length 318  
 requesting operational  
 descriptors 318  
 VALUE keyword 334  
 prototyped program or procedure  
 as built-in function 394  
 calling in an expression 406  
 CALLP (call a prototyped  
 procedure) 579  
 number of passed parameters 521  
 procedure specification 381  
 prototyped call 405  
 RETURN (return to caller) 750  
 specifying external procedure  
 name 306  
 specifying external program  
 name 306  
 PRTCTL (printer control)  
 specifying 285  
 with space/skip entries 370  
 PRTCTL keyword 285  
 PWRDWN SYS (Power Down  
 System) 729

**Q**  
 QSYSOPR 622  
 QUALIFIED keyword 129, 333  
 queues  
 \*EXT (external message) 622  
 QSYSOPR 622  
 quotient, integer portion 482

**R**  
 RAFDATA keyword 286  
 random retrieval from a file based on  
 record number or key value (CHAIN)  
 operation code 589  
 RECNO keyword 286  
 READ (read a record) operation  
 code 416, 728  
 READC (read next modified record)  
 operation code 416, 731  
 READE (read equal key) operation  
 code 416, 733  
 reading a record 728  
 specifications for 728  
 reading next record  
 specifications for 731  
 reading prior record 733  
 READP (read prior record) operation  
 code 416, 736  
 READPE (read prior equal) operation  
 code 416, 738  
 REALLOC (reallocate storage with new  
 length) operation code 420, 741  
 reallocate storage (REALLOC) operation  
 code 741

reallocating storage 523, 741  
 RECNO keyword 277, 286  
 record  
 adding to a file 270, 367  
 deleting from a file 367, 611  
 detail (D) 367  
 exception (E) 367  
 with EXCEPT operation code 640  
 externally described 377  
 heading (H) 367  
 input specifications  
 externally described file 351  
 program described file 340  
 length 271  
 output specifications  
 externally described 377  
 program described 366  
 record line 366  
 renaming 287  
 total (T) 367  
 record address field, length 272  
 record address file  
 description 268  
 file description specifications  
 entry 267  
 format of keys 272  
 length of record address field 272  
 RAFDATA keyword 286  
 RECNO keyword 286  
 relative-record number 275  
 restrictions 268  
 S/36 SORT files 271  
 sequential-within-limits 271  
 record address type 272  
 record blocking 277  
 record format  
 clearing 598  
 for a subfile 287  
 ignoring 280  
 including 280  
 renaming 287  
 resetting 744  
 writing to a display 288  
 record identification codes 343  
 for input specification 351  
 record identification entries  
 in output specification 366  
 input specifications 340, 351  
 output specifications 366, 377  
 record identifying indicators (01-99,  
 H1-H9, L1-L9, LR, U1-U8, RT)  
 assigning on input specifications  
 for externally described file 350  
 for program described file 340  
 rules for 36  
 conditioning calculations 356, 358  
 conditioning output 368, 371  
 for input specification 351  
 for program described files 342  
 general description 36  
 setting on and off 63  
 summary 62  
 with file operations 36  
 record line 366  
 record name  
 for externally described input  
 file 351

record name (*continued*)  
 for externally described output  
 file 377  
 rules for 5

records, alternate collating sequence  
 table 185

records, file translation table 112

REL (release) operation code 416, 742

Release (output specifications) 378

release (REL) 742

release, output specifications 368

remainder, integer 524

removing blanks from a string 550

RENAME keyword 287

renaming fields 283

renaming subfields 128, 304

requester  
 accessing with ID 278

reserved words  
 \*ALL 379  
 \*ALL'x..' 126  
 \*ALLG'oK1K2i' 126  
 \*ALLX'x1..' 126  
 \*BLANK/\*BLANKS 126  
 \*CANCL 24, 80  
 \*DATE, \*DAY, \*MONTH, \*YEAR 8  
 \*DETC 83  
 \*DETL 83  
 \*ENTRY PLIST 721  
 \*GETIN 83  
 \*HIVAL/\*LOVAL 126  
 \*IN 60  
 \*IN(xx) 60  
 \*INIT 83  
 \*INxx 60  
 \*INZSR 25  
 \*LDA 609  
 \*NOKEY 598, 744  
 \*NULL 126  
 \*OFL 83  
 \*ON/\*OFF 126  
 \*PDA 609  
 \*PLACE 372  
 \*ROUTINE 83  
 \*STATUS 83  
 \*TERM 83  
 \*TOTC 83  
 \*TOTL 83  
 \*ZERO/\*ZEROS 126  
 INFDS 66  
 PAGE 372  
 PAGE, PAGE1-PAGE7 9  
 PAGE1-PAGE7 372  
 UDATE, UDAY, UMONTH,  
 UYEAR 8

RESET operation code 120, 420, 743

reset value 743

resetting variables 743

Restrictions, summary 855

result decimal position 255

result field  
 length of 360  
 number of decimal positions 360  
 possible entries, in calculation  
 specification 360

result operations  
 general information 429

resulting indicators (01-99, H1-H9,  
 OA-OG, OV, L1-L9, LR, U1-U8, KA-KN,  
 KP-KY, RT)  
 calculation specifications 361  
 general description 46  
 rules for assigning 46  
 setting of 63

retrieval of data area  
 explicit 657  
 implicit 22, 133

retrieval of record from full procedural  
 file 589

retrieve a data area (IN) operation  
 code 657

retrieving randomly (from a file based on  
 record number of key value) 589

RETURN (return to caller) operation  
 code 750  
 call operations 404  
 returning a value 96  
 with expressions 439

return (RT) indicator  
 as field indicator 350, 353  
 as record identifying indicator 342,  
 351  
 as resulting indicator 46, 361  
 conditioning calculations 358  
 conditioning output 368  
 general description 49  
 setting of 63

return point  
 for program exception/error  
 subroutine 91

return value  
 data type 750  
 defining 96  
 RETURN (return to caller) 750

returning from a called procedure  
 RETURN (return to caller) 750

ROLBK (roll back) operation code 416,  
 753

roll back (ROLBK) operation code 753

RPG logic cycle  
 detail 24  
 general 21

RPGLEHSPEC data area 245

rules  
 for naming objects 3  
 rules for transferring XML data to RPG  
 variables 829

run-time array  
 %SUBARR (Set/Get Portion of an  
 Array) 539  
 definition of 152  
 rules for loading 152  
 Using dynamically-sized arrays 165  
 with consecutive elements 154  
 with scattered elements 153

**S**

S/36 SORT files 271

SAA data types  
 null value support 209  
 variable-length fields 179

SAVEDS keyword 287

SAVEIND keyword 287

SCAN (scan string) operation code 429,  
 754

scope  
 \*PSSR subroutine 99  
 of definitions 96, 118

search argument  
 for record address type 274

searching within a table 667

searching within an array 667

secondary file  
 file description specifications 268  
 general description 268

SELECT (begin a select group) operation  
 code 431, 757

sequence  
 ascending 270  
 descending 270

sequence checking  
 alternate collating sequence 184  
 on input specifications 340, 341  
 with match fields 349

sequential-within-limits processing  
 file description specifications  
 entry 271

set bits off (BITOFF) operation code 571

set bits on (BITON) operation code 573

set on and set off operation codes 419

set/get occurrence of data structure 710

SETGT (set greater than) operation  
 code 416, 759

SETLL (set lower limits) operation  
 code 416, 763

SETOFF (set off) operation code 419, 767

SETON (set on) operation code 419, 768

SFILE keyword 287

SHTDN (shut down) operation  
 code 419, 769

shut down (SHTDN) operation code 769

simple edit codes (X, Y, Z) 220

size operations  
 general information 429

skipping  
 after 371  
 before 371  
 for printer output 370

SLN keyword 288

SORTA (sort an array) operation  
 code 402, 770

source listing with indentation bars 655

spacing  
 for printer output 370  
 not with WRITE operation 799

SPECIAL file  
 parameter list 283  
 program device name 283

special words 7

specifications  
 common entries to all 238  
 continuation rules 239  
 order 235  
 types 235

split control field 44

SQL statements 355

SQRT (square root) operation code 398,  
 772

SR (subroutine identifier) 357

SRTSEQ keyword 261

- SRTSEQ parameter
  - specifying on control
  - specifications 261
- standalone fields 119, 294
- starting location of key field 281
- static calls
  - using CALLP 579
- STATIC keyword 119
- static storage 119, 333
- status (of an edit word) 230
- status codes
  - in file information data structure (INFDS) 77
  - in program status data structure 87
- string
  - checking 468
  - indexing 754
  - null-terminated 318, 537
  - removing blanks 550
  - scanning 527, 754
- string built-in functions
  - %CHECK (Check Characters) 468
  - %CHECKR (Check Reverse) 470
  - %REPLACE (Replace Character String) 525
  - %SCAN (Scan for Characters) 527
  - %STR (Get or Store Null-Terminated String) 537
  - %SUBST (Get Substring) 543
  - %TRIM (Trim Blanks at Edges) 550
  - %TRIML (Trim Leading Blanks) 552
  - %TRIMR (Trim Trailing Blanks) 553
- string operations
  - CAT (concatenate two character strings) 429, 586
  - CHECK (check) 429, 592
  - CHECKR (check reverse) 429, 595
  - general information 429
  - SCAN (scan string) 429, 754
  - SUBST (substring) 429, 777
  - XLATE (translate) 429, 802
- structured programming operations
  - ANDxx (and) 431, 569
  - CASxx (conditionally invoke subroutine) 584
  - DO (do) 431, 614
  - DOU (do until) 431, 616
  - DOUxx (do until) 431, 617
  - DOW (do while) 431, 619
  - DOWxx (do while) 431, 620
  - ELSE (else do) 431, 627, 628
  - ELSEIF (else if) 431, 628
  - ENDyy (end a group) 431, 629
  - EVAL (evaluate) 431, 632
  - EVALR (evaluate, right adjust) 634
  - FOR (for) 431, 648
  - general information 431
  - IF (if/then) 431, 654
  - IFxx (if/then) 431, 655
  - ITER (iterate) 431, 659
  - LEAVE (leave a structured group) 431, 664
  - ORxx (or) 431, 717
  - OTHER (otherwise select) 431, 718
  - SELECT (begin a select group) 431, 757
  - WHEN (when true then select) 431

- structured programming operations
  - (continued)
  - When (When) 795
  - whenxx (when true then select) 796
  - WHxx (when true then select) 431
- SUB (subtract) operation code 398, 773
- SUBDUR (subtract duration) operation code
  - calculating durations 412
  - general discussion 412
  - possible error situations 776
  - subtracting dates 412, 774, 775
  - unexpected results 414
- subfields
  - defining 294
  - external definition 305
  - for program status data structure 83
  - name prefixing 128, 283, 332
  - overlying storage 329
  - renaming 128, 304
- subfiles
  - record format 287
- subprocedures
  - calculations coding 97
  - comparison with subroutines 101
  - definition 94
  - exception/error processing
    - sequence 98
  - mixing with main procedures 100
  - NOMAIN module 100
  - normal processing sequence 97
  - number of passed parameters 521
  - procedure interface 95, 148
  - procedure specification 381
  - RETURN (return to caller) 750
  - return values 96
  - returning from 750
  - scope of parameters 96, 118
  - specifications for 235, 237
- subroutine identifier (SR) 357
- subroutine names 5
- subroutine operations
  - BEGSR (beginning of subroutine) 434, 570
  - CASxx (conditionally invoke subroutine) 434, 584
  - ENDSR (end of subroutine) 434, 631
  - EXSR (invoke subroutine) 434, 644
  - general information 434
  - LEAVESR (leave subroutine) 666
- subroutines
  - calculation specifications entry in
    - positions 7 and 8 357
  - comparison with subprocedures 101
  - description 434
  - example 434
  - file exception/error (INFSR) 79
  - maximum allowed per program 434
  - operation codes 434
  - program exception/error (\*PSSR) 91
  - program initialization (\*INZSR) 28
  - use within a subprocedure 94
- SUBST (substring) operation code 429, 777
- substring of character or graphic literal
  - RPG built-in %SUBST 543
  - SUBST operation 777

- subtracting date-time durations 412, 774
- subtracting factors 773
- summary tables
  - calculation specifications 355
  - edit codes 222
  - entry summary by type 335
  - function key indicators and
    - corresponding function keys 53
  - ILE RPG built-in functions 396
  - ILE RPG restrictions 855
  - indicators 62, 63
  - input specifications 340
  - keyword summary by definition
    - type 335
  - operation codes 387
  - program description record
    - identification entries 340
- summing array elements
  - using %XFOOT built-in 557
  - using XFOOT operation code 801
- symbolic name
  - array names 4
  - conditional compile names 4
  - data structure names 4
  - EXCEPT names 4
  - field names 4
  - file names 4
  - KLIST names 4
  - labels 4
  - PLIST names 5
  - prototype names 5
  - record names 5
  - subfield names 4
  - subroutine names 5
  - table names 5
- symbolic names 3

## T

- table
  - defining 166
  - definition 151
  - differences from array 151
  - element, specifying 166
  - example of using 167
  - file 268
  - loading 166
  - lookup 548
  - name, rules for 5
  - number of elements 302, 488
  - size of 531
  - specifying a table element 166
  - to file name 286
- TAG operation code 403, 414, 780
- TEST (test date/time/timestamp)
  - operation code 412, 437, 781
- test operations
  - general information 437
  - TEST (test date/time/timestamp)
    - operation code 437, 781
  - TESTB (test bit) operation code 437, 783
  - TESTN (test numeric) operation code 437, 786
  - TESTZ (test zone) operation code 437, 788
- TESTB (test bit) operation code 437, 783

TESTB operation code 403  
 TESTN (test numeric) operation code 437, 786  
 TESTZ (test zone) operation code 437, 788  
 TEXT keyword 261  
 TEXT parameter  
   specifying on control specifications 261  
 THREAD keyword 262  
 TIME (retrieve time and date) operation code 419, 789  
 time and date built-in functions  
   %**DAYS** (Number of Days) 473  
   %**DIFF** (Difference Between Two Date or Time Values) 479  
   %**HOURS** (Number of Hours) 504  
   %**MINUTES** (Number of Minutes) 513  
   %**MONTHS** (Number of Months) 514  
   %**MSECONDS** (Number of Microseconds) 515  
   %**SECONDS** (Number of Seconds) 529  
   %**SUBDT** (Subset of Date or Time) 542  
   %**YEARS** (Number of Years) 561  
 time data field  
   general discussion 198  
   moving 424  
   TIMFMT 262, 288, 333  
   unexpected results 414  
 time data format  
   \***JOBRUN** time separator 199  
   control specification 262  
   converting to 546  
   description 198  
   external format on definition specification 333  
   file description specification 288  
   initialization 199  
   input specification 346  
   internal format on definition specification 296  
   output specification 375  
   separators 199  
   table of 198  
 time out 729  
 timestamp data field  
   general discussion 199  
   unexpected results 414  
 timestamp data format  
   converting to 547  
   description 199  
   initialization 200  
   internal format on definition specification 296  
   output specification 375  
   separators 199  
 TIMFMT keyword  
   control specification 262  
   definition specification 333  
   file description specification 288  
 TOFILE keyword 334  
 total (T) output records 367

TOTC  
   flowchart 24  
   program exception/errors 80  
 TOTL  
   file exception/error subroutine (INFSR) 80  
   flowchart 24  
   program exception/errors 83  
 trailing blanks, removing 320, 550, 553  
 translate (XLATE) operation code 802  
 translation table and alternate collating sequence coding sheet 184  
 TRUNCNBR keyword 263  
 TRUNCNBR parameter  
   overflow in expressions 441  
   specifying on control specifications 263  
 type of record, output specification 367

## U

UCS-2 format  
   description 174  
   fixed length 174  
   internal format on definition specification 296  
   UCS-2 CCSID  
     on control specification 249  
     on definition specification 300  
   variable length 175  
 UPDATE 8  
 UDAY 8  
 UDS data area 100  
 UMONTH 8  
 unary operations  
   - 444  
   + 444  
   data types supported 444  
   NOT 444  
   precedence of operators 441  
 UNLOCK (unlock a data area) operation code 411, 416, 791  
 unsigned arithmetic 399  
 unsigned integer format  
   alignment 191  
   arithmetic operations 399  
   considerations for using 192  
   converting to 555  
   definition 190  
   definition specification 296  
   output specification 375  
   unsigned arithmetic 399  
 unwanted control breaks 39, 40  
 update 267  
   update 267  
   update a file from a data structure 416  
 UPDATE (modify existing record) operation code 416  
   description 793  
   specify fields to update 494  
 update file 267  
 updating data area 720  
 user date special words  
   format 8  
   rules 8  
 user-controlled file open 279, 288

user-defined edit codes (5-9) 222  
 Using dynamically-sized arrays 165  
 USROPN keyword 100, 288  
 USRPRF keyword 263  
 USRPRF parameter on CRTBNDRPG  
   specifying on control specifications 263  
 UYEAR 8

## V

valid character set 3  
 VALUE keyword 334  
 variable  
   based 299, 456  
   clearing 598  
   resetting 743  
   scope 96, 118  
 variable-length format  
   character  
     description 172, 175  
     example 176  
     rules 176  
   database fields 179  
   definition specification 296  
   graphic  
     description 175  
     example 177  
     rules 176  
   input specification 346  
   output specification 376  
   setting the length 178  
   tips 179  
 UCS-2  
   description 175  
   example 176  
   rules 176  
   using 178  
   VARYING keyword 334  
 VARYING keyword 334

## W

WAITRCD 729  
 WHEN (when true then select) operation code 408, 431, 439  
 When (When) operation code 795  
 whenxx (when true then select) operation code 796  
 WHENxx (when true then select) operation code 408  
 WHxx (when true then select) operation code 431  
 WORKSTN file  
   device name 275  
 WRITE (create new records) operation code 416, 799  
 write/then read format (EXFMT) operation code 642  
 writing a new record to a file 799  
 writing records during calculation time 640

## X

- XFOOT (summing the elements of an array) operation code 398, 402, 801
- XLATE (translate) operation code 429, 802
- XML events 837
- XML operations 437
  - %HANDLER (handlingProcedure : communicationArea ) built-in function 437, 500
  - %XML (xmlDocument {:options}) built-in function 437, 559
  - general information 437
  - XML-INTO (parse an XML document into a variable) 437
  - XML-SAX (parse an XML document) 437
- XML-INTO (parse an XML document into a variable) operation code 804
  - %XML options 808
  - examples 830
  - expected format of XML data 824
  - rules for transferring XML data to RPG variables 829
- XML-INTO (parse an XML document into a Variable) operation code 437
- XML-SAX (parse an XML document) operation code 437, 834
  - %XML options 835
  - event-handling procedure 836
  - examples 844
  - XML events 837
- XML-SAX event-handling procedure 836

## Y

- Y edit code 252

## Z

- Z-ADD (zero and add) operation code 398, 850
- Z-SUB (zero and subtract) operation code 398, 851
- zero (blanking) fields 373, 379
- zero suppression 220
  - in body of edit word 228
  - with combination edit code 220
- zoned decimal format
  - definition specification 296
  - description 191







Program Number: 5722-WDS

Printed in U.S.A.

SC09-2508-06

